

Spare parts catalog for "VE10 - UX100"

To avoid errors, when ordering please specify:

- Complete type of hoist
- Date of manufacture and serial number
- Spare part code
- Spare part designation
- Additional information

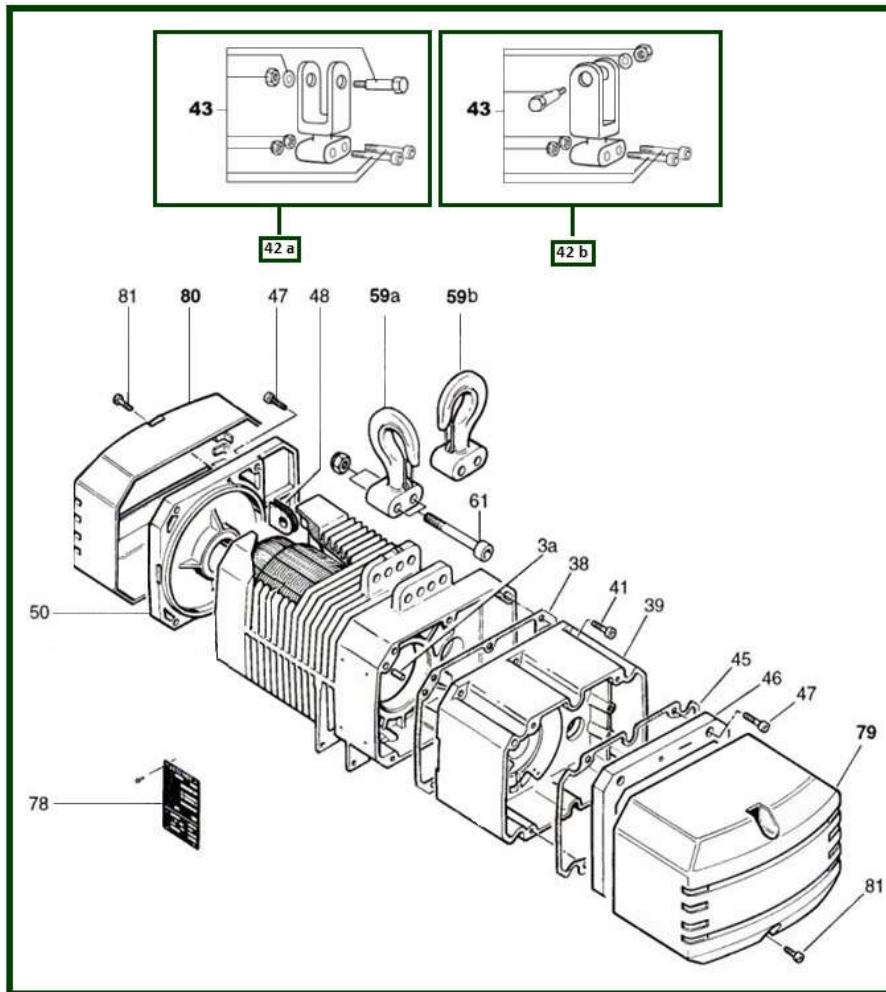


- 0) HOIST DESCRIPTION
 - 1) CASING
 - 2) MECHANISM 2 STEPS / LIMITER
 - 3) MECHANISM 3 STEPS / LIMITER
 - 4) MECHANISM / CARTER
 - 5) BRAKE
 - 6) LIFTING ASSEMBLY
 - 7) CHAIN BAG AND LOAD LABEL
 - 8) ELECTRIC BOX
 - 9) PUSH BUTTON BOX
 - 10) SPECIFIC PARTS LI10

0) Hoist description

CAPACITE DE CHARGE	TYPE DE PALAN VERLINDE	TYPE DE PALAN UNEPAL	OBSERVATIONS (voir repères)	NBRE DE BRINS	TYPE DE CHAINE
LOAD CAPACITY	TYPE OF HOIST VERLINDE	TYPE OF HOIST UNEPAL	OBSERVATIONS (SEE MARKS)	NUMBER OF FALLS	TYPE OF CHAIN
500 Kg	VE10 504 m2	50UX100.14V2	A	1	6,5 X 19,5
	VE10 506 m2	50UX100.16V2	B		
	VE10 506 b2	50UX100.16W2	C		
	VE10 508 b2	50UX100.18W2	D		
1000 Kg	VE10 1004 m1	100UX100.14V1	E	2	6,5 X 19,5
	VE10 1006 m1	100UX100.16V1	F		
	VE10 1006 b1	100UX100.16W1	G		
	VE10 1008 b1	100UX100.18W1	H		
	VE10 1004 b2	100UX100.24W2	I	1	8 x 24
	VE10 1004 m2	100UX100.14V2	J		
	VE10 1008 m2	100UX100.18V2	K		
	VE10 1008 b2	100UX100.18W2	L		
1500 Kg	VE10 1506 m1	150UX100.16V1	M	1	8 x 24
	VE10 1506 b1	150UX100.16W1	N		
2000 Kg	VE10 2002 m1	200UX100.22V1	O	2	6,5 X 19,5
	VE10 2003 m1	200UX100.23V1	P		
	VE10 2003 b1	200UX100.23W1	Q		
	VE10 2004 b1	200UX100.24W1	R		8 X 24
	VE10 2002 m2	200UX100.22V2	S		
	VE10 2004 m2	200UX100.24V2	T		
	VE10 2004 b2	200UX100.24W2	U		
3000 Kg	VE10 3003 m1	300UX100.23V1	V	1	8 X 24
	VE10 3003 b1	300UX100.23W1	W		

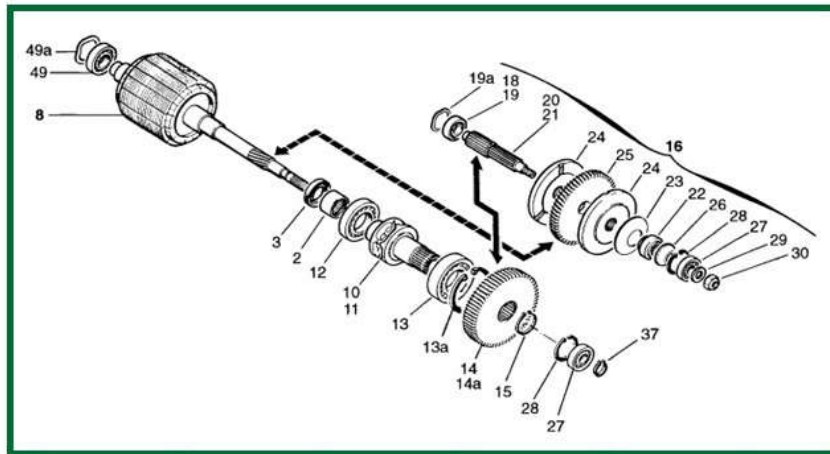
1) Casing



item	reference	description	observation	Quantity
3a	556509	Locating pin		2
38	557038	Gearbox housing seal		1
39	558428	Gearbox housing		6
41	830909	CHC screw M6x20		1
42a	557637	Parallel coupling bracket + screws and nuts set		1
42b	557638	Perpendicular coupling bracket + screws and nuts set		1
43	556226	Screw set for coupling		1
45	557036	Counterweight seal		1
46	557104	Counterweight		1
47	830901	CHC screw 6x30		10
48	833431	Cable guide		1
50	557103	Rear side plate		1
59a	556222	Upper coupled parallel		1
59a	557169	Upper hook parallel 025	1T	1
59a	557161	Upper hook parallel 050	2T - Plus fourni / Not any more supplied	1
59a	557164	Upper hook parallel 080	3T	1
59b	556223	Upper coupled perpendicular		1
59b	557168	Upper hook perpendicular 025	1T	1
59b	557160	Upper hook perpendicular 050	2T	1
59b	557163	Upper hook perpendicular 080	3T	1
61	830916	CHC screw		2
61	831593	NYLSTOP nut - ø 10		1

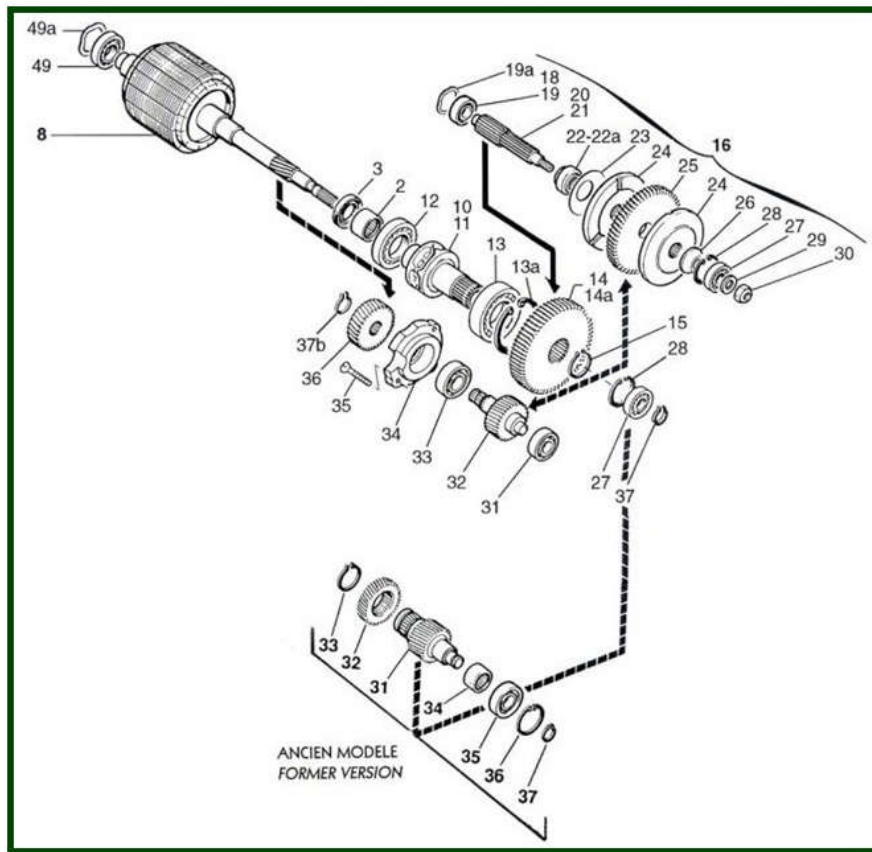
78	<u>557085</u>	Motor plate		1
79	<u>557076</u>	Green cover gearbox side		1
79	<u>557078</u>	Red cover gearbox side		1
80	<u>557075</u>	Green cover motor side		1
80	<u>557077</u>	Red cover motor side		1
81	<u>830924</u>	CHC screw 6 x 12		1
-	<u>557937</u>	Diabolo HPR/P10		1
-	<u>557049</u>	Plastic plug for gear housing - Ø 35	Pour 2 trains / for 2 steps	1
-	<u>400012</u>	Upper shaft - Ø 20 mm		1

2) Mechanism 2 steps / Limiter



item	reference	description	observation	Quantity
2	833725	Needle bearing		1
3	556243	Oil seal		1
8	557342	Rotor 80 with shaft 16 teeth	C-G-J-M-Q-S-V	1
8	557341	Rotor 110 with shaft 16 teeth	L-N-U-W	1
10	557110	Load wheel for chain 6,5 x 19,5	C-Q-G	1
11	557111	Load wheel for chain 8 x 24	J-L-M-N-S-U-V-W	1
12	557025	Ball bearing		1
13	557026	Ball bearing		1
13a	400080	Retaining ring for bore - Ø 90x3	1AM-2/3AM	1
14	557114	Load wheel 102 teeth	C-G-J-L-Q-S-U-	1
14a	557113	Load wheel 96 teeth	B-F-K-P-T	1
15	400079	Outer circlip		1
16	557060	Limiter 14 + 141 teeth set	C-G-J-L-Q-S-U	1
16	557062	Limiter 14 + 141 teeth set	K-T	1
16	557061	Limiter 19 + 141 teeth set	M-N-V-W	1
18	550787	Ball bearing	C-G-Q	1
19	550789	Ball bearing	J-L-M-N-S-U-V-W	1
19a	832041	ONDUFLEX washer	C-G-J-L-Q-S-U	1
20	557120	Pinion shaft 14 teeth	C-G-J-L-Q-S-U	1
21	557121	Pinion shaft 19 teeth		1
22	557043	Springwasher support ring	C-G-J-L-Q-S-U	1
23	557032	Spring washer	C-G-J-L-M-N-Q-S-U-V-W	1
24	557101	Friction disc		2
25	557115	Limiter gear wheel 141 teeth		1
26	557042	Limiter ring		1
27	557028	Ball bearing		2
28	830866	Circlip		1
29	100338	Washer		1
30	831589	Limiter adjustment nut		1
37	830865	Outer circlip		1
49	833703	Bearing		1
49a	832040	ONDUFLEX washer		1

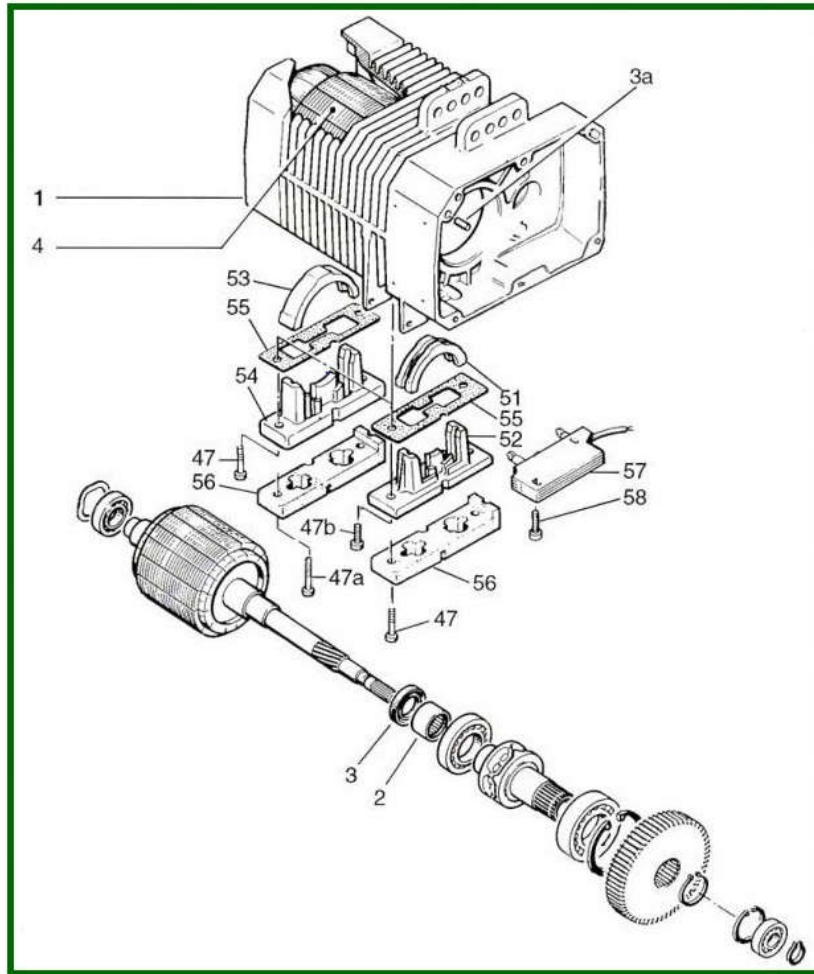
3) Mechanism 3 steps / Limiter



item	reference	description	observation	Quantity
02-34	833725	Needle bearing		1
3	556243	Oil seal		1
8	557342	Rotor 80 with shaft 16 teeth	C-G-J-M-Q-S-V	1
8	557341	Rotor 110 with shaft 16 teeth	L-N-U-W	1
10	557110	Load wheel for chain 6,5 x 19,5	C-Q-G	1
11	557111	Load wheel for chain 8 x 24	J-L-M-N-S-U-V-W	1
12	557025	Ball bearing		1
13	557026	Ball bearing		1
13a	400080	Retaining ring for bore - Ø 90x3	1AM-2/3AM	1
14	557114	Load wheel 102 teeth	C-G-J-L-Q-S-U-	1
14a	558427	Load wheel 73 teeth	M-N-V-W	1
15	400079	Outer circlip		1
16	557060	Limiter 14 + 141 teeth set	C-G-J-L-Q-S-U	1
16	557061	Limiter 19 + 141 teeth set	M-N-V-W	1
18	550787	Ball bearing	C-G-Q	1
19	550789	Ball bearing	J-L-M-N-S-U-V-W	1
19a	832041	ONDUFLEX washer	C-G-J-L-Q-S-U	1
20	557120	Pinion shaft 14 teeth	C-G-J-L-Q-S-U	1
21	558426	Pinion shaft 13 teeth	M-N-V-W	1
22-22a	557043	Springwasher support ring	C-G-J-L-Q-S-U	1
22a	558425	Springwasher support ring	M-N-V-W	1
23	557032	Spring washer	C-G-J-L-M-N-Q-S-U-V-W	1
24	557101	Friction disc		2
25	557115	Limiter gear wheel 141 teeth		1
26	557042	Limiter ring		1
27	557028	Ball bearing		2
28	830866	Circlip		2
29	100338	Washer		1

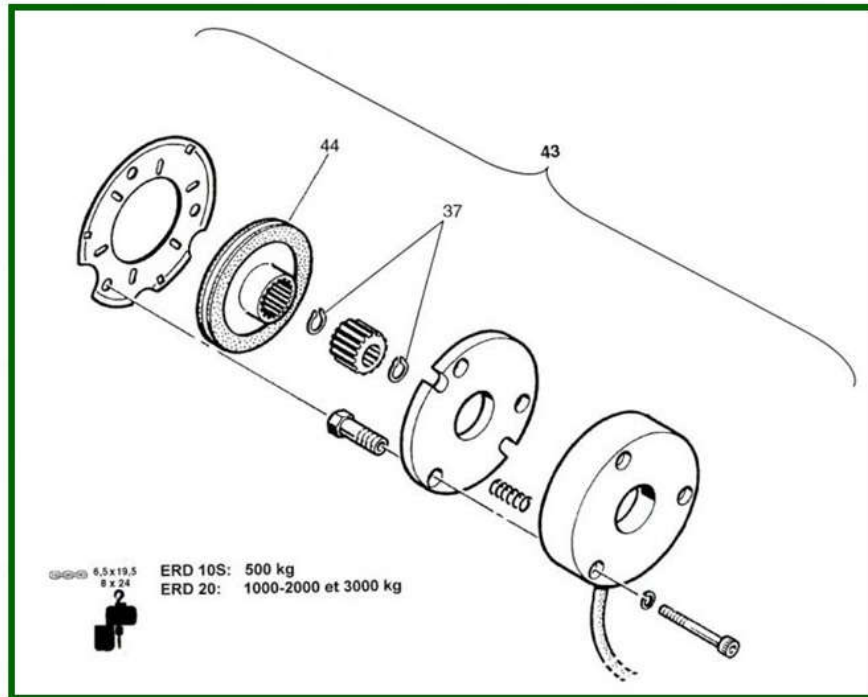
30	<u>831589</u>	Limiter adjustment nut		1
31	<u>558432</u>	Ball bearing		1
31	<u>557122</u>	Helical pinion shaft 39 teeth AM		1
32	<u>557116</u>	Helical gear wheel 50 teeth AM		1
32	<u>558429</u>	Helical pinion shaft 39 teeth		1
33	<u>550778</u>	Ball bearing		1
33	<u>100051</u>	External circlip ø 30	VS2....O (VSX)	1
34	<u>558431</u>	Cover		1
35	<u>557029</u>	Ball bearing AM		1
35	<u>830949</u>	Fixing screw		3
36	<u>558430</u>	Helical gear wheel 50 teeth		1
37	<u>830865</u>	Outer circlip		1
37b	<u>400076</u>	Exterior circlips	C1	1
49	<u>833703</u>	Bearing		1
49a	<u>832040</u>	ONDUFLEX washer		1

4) Mechanism / Carter



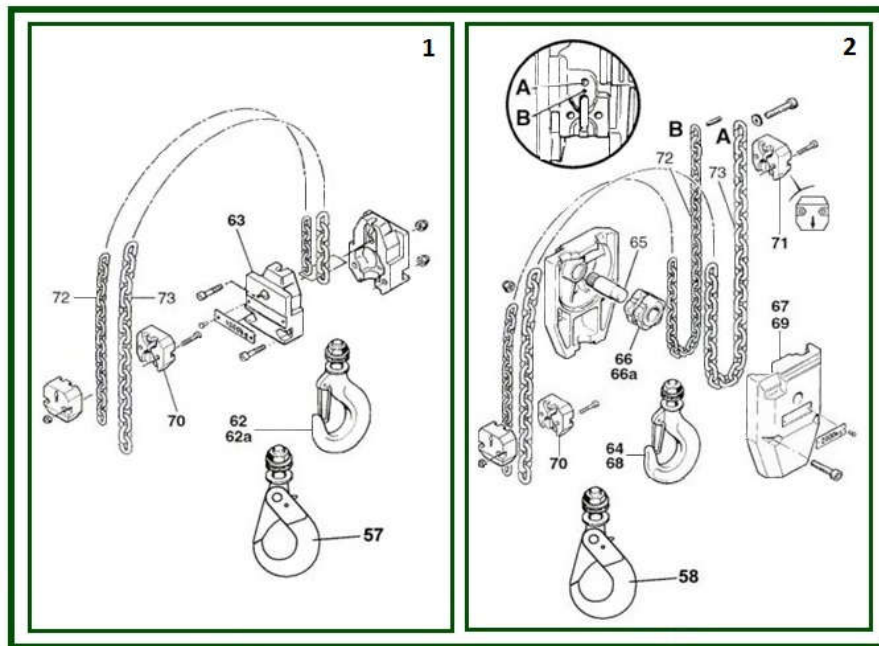
item	reference	description	observation	Quantity
1	557140	Motor frame	2+3+3a	1
2	833725	Needle bearing		1
3	556243	Oil seal		1
3a	556509	Locating pin		2
4	557263	Stator 80 single speed - 400V/230V	A-B-E-F-J-K-M-O-P-S-T-V	1
4	558441	Stator 110 dual speeds - 220V 230V	N-W	1
4	557261	Stator 110 dual speeds - 220V 230V	L-U	1
4	558461	Stator 110 dual speeds - 380V 415V	N-W	1
4	557361	Stator 110 dual speeds - 380V 415V	L-U	1
47	830901	CHC screw 6x30		10
47a	830902	Screw		2
47b	550979	CHC screw 6x25		1
51	557105	Upper chain guide 6,5 x 19,5	A-B-C-D-E-F-G-H-I-O-P-Q-R	1
52	557106	Lower chain guide 6,5 x 19,5	A-B-C-D-E-F-G-H-I-O-P-Q-R	1
53	557107	Upper chain guide 8 x 24	J-K-L-M-N-S-T-U-V-W	1
54	557108	Lower chain guide 8 x 24	J-K-L-M-N-T-U-V-W	1
55	557037	Lower chain guide seal		1
56	557141	Rubber buffer		1
57	556238	Upper and lower limit switch		1
58	830930	CHC screw M4x20		2

5) Brake



item	reference	description	observation	Quantity
37	830865	Outer circlip		2
43	557051	Brake complete ERD20 - 96V	230 V	1
43	557052	Brake complete ERD20 - 190V	400 V	1
43	557050	Brake complete ERD20 - 215V	500 V	1
44	557058	Brake lining for ERD20		1
44	557053	Brake lining for ERD49	N'est plus fourni-Changer le frein complet Not supply anymore-Change a complet brake	1
44	557596	Set of brake linings	N'est plus fourni-Changer le frein complet Not supply anymore-Change a complet brake	1

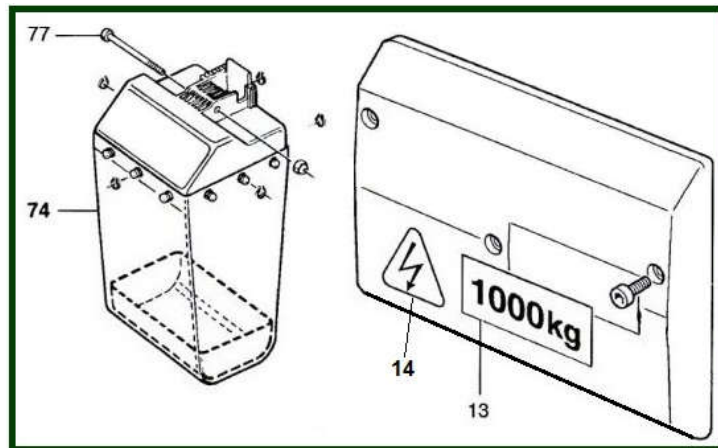
6) Lifting assembly



item	reference	description	observation	Quantity
1	557166	Complete hook 05 M16 1t gr 2m /1,5t gr 1bm	1 brin / 1 fall - J-K-L-M-N	1
1	557162	Complete hook 025 M16 0,5 t gr 2m / 1 t gr 1bm	1 brin / 1 fall - A-B-C-D-E-F-G-H	1
2	557167	Complete hook 05 M20 1t gr 2m / 2t gr 1 bm	2 brins / 2 falls - I-O-P-Q-R	1
2	557159	Complete hook 08 M24 2t gr 2m / 3t gr 1 bm	2 brins / 2 falls - S-T-U-V-W	1
57	2212011	Lifting steel standard hook	1 brin / 1 fall	1
58	1129	RAMNAS Automatic Hook - 1 fall	< 1000 Kg : chain 6,5 x 19,5 - fem 2m - 1600 Kg Chain 8 x 24 / fem 1Bm	1
58	1130	RAMNAS Automatic Hook - 2 falls	1500 Kg to 3000 kg - Chain 8 x 24	1
62	557152	Lower hook - 025 T M16	A-B-C-D-E-F-G-H To 1T	1
62	A001515	Safety latch - Steel wire type 025 or 012	PHR : 1000 kg - 2 brins / falls	1
62a	557156	Hook with thrust 05 M16	2000 Kg - J-K-L-M-N Linguet tôle à partir de Mars 2014 / Safety latch steel plate since march 2014	1
62a	2212017	Safety latch Steel plate - 025T	1 & 2 brins - Depuis 2000 1 & 2 falls - Since 2000	1
62a	A001514	Safety latch - Steel wire type - 05 T	PHR : 2000 kg - 04/2002	1
63	557144	Set of half block housing + chain 6,5x19,5	1 brin / 1 fall	1
64	557157	Lower hook 05 M20	05T GR 2M /1T GR 1Bm I-O-P-Q-R	1
65	556101	Return wheel axle		1
66	556124	Idle sprocket + self lubrication ring	PHR1 - Chaîne / Chain 6,5 x 19,5	1
66a	557172	Return wheel	Chaîne / Chain 8 x 24	1
67	557145	Set of half housing + chain 6,5x19,5	Moufle 1 T Gr 2 Moufle 2 T Gr 1Bm - 2 brins / 2 falls	1
68	557158	Lower hook 08 M24	S-T-U-V-W	1
68	128005	Safety latch hook 08	S-T-U-V-W - 3.2 T	1
69	557147	Set of half block housing M24 Chain 8x24	Moufle 2T Gr 2m Moufle 3T Gr 1 Bm - 2 brins / 2 falls	1
70	557142	Slack chain stop		1
71	557143	Fix point		1
72	820125V	Black chain - 6,5x19,5	80HB	1

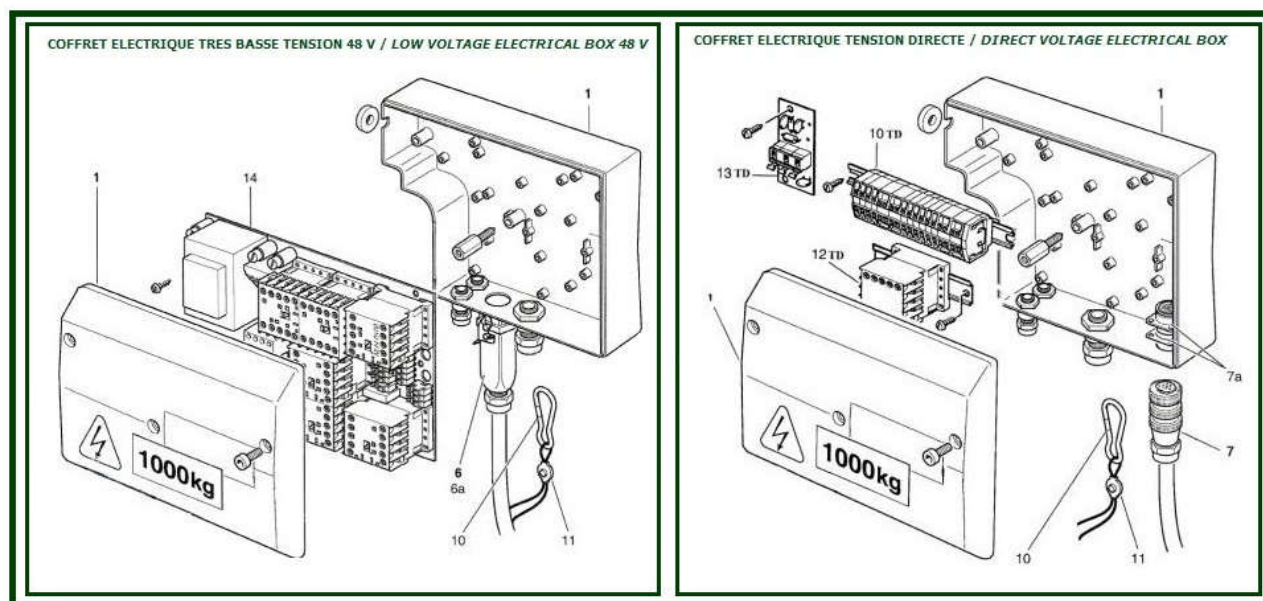
72	<u>820121V</u>	Chain - 6,5x19,5	H80C	1
72	<u>820148V</u>	Galvanized chain - 6,5x19,5	80HB	1
72	<u>53060098</u>	Precut black chain - 6,5x19,5	18 m - 80HB	1
73	<u>820147V</u>	Galvanized chain - 8x24	H80B	1
73	<u>820122</u>	Special chain - 8x24	H80C	1
73	<u>820141</u>	Stainless steel chaîne - 6,5x19,5		1
	<u>1115</u>	Complete automatic hook kit	1 brin / 1 fall - 63+58+ vis	1
	<u>556351</u>	S.W.L. plate	1000 kg	2
	<u>557125</u>	S.W.L. plate	1500 kg	2
	<u>557088</u>	S.W.L. plate	2000 kg	2
	<u>557126</u>	S.W.L. plate	3000 kg	2
	<u>820000</u>	Set of chaining tools		1

7) Chain bag and load label



item	reference	description	observation	Quantity
13	556262	S.W.L. plate	500 Kg	1
13	556352	S.W.L. plate	1000 Kg	1
13	556349	S.W.L. plate	1250 Kg	1
13	557127	S.W.L. plate	1500 Kg	1
13	557123	S.W.L. plate	1600 Kg	1
13	557084	S.W.L. plate	2000 Kg	1
13	557128	S.W.L. plate	3000 Kg	1
14	833097	Electrical label		1
74	557097	Chain bucket BE4	6=14m/8=8m	1
74	557098	Chain bucket BE5	6=30m/8=16m	1
74	557099	Chain bucket BE6	6=50m/8=30m	1
74	557071	Chain bucket P10	6=60m(6.5x19.5)/8=40m	1
77	830916	CHC screw		1
77	831593	NYLSTOP nut - ø 10		1

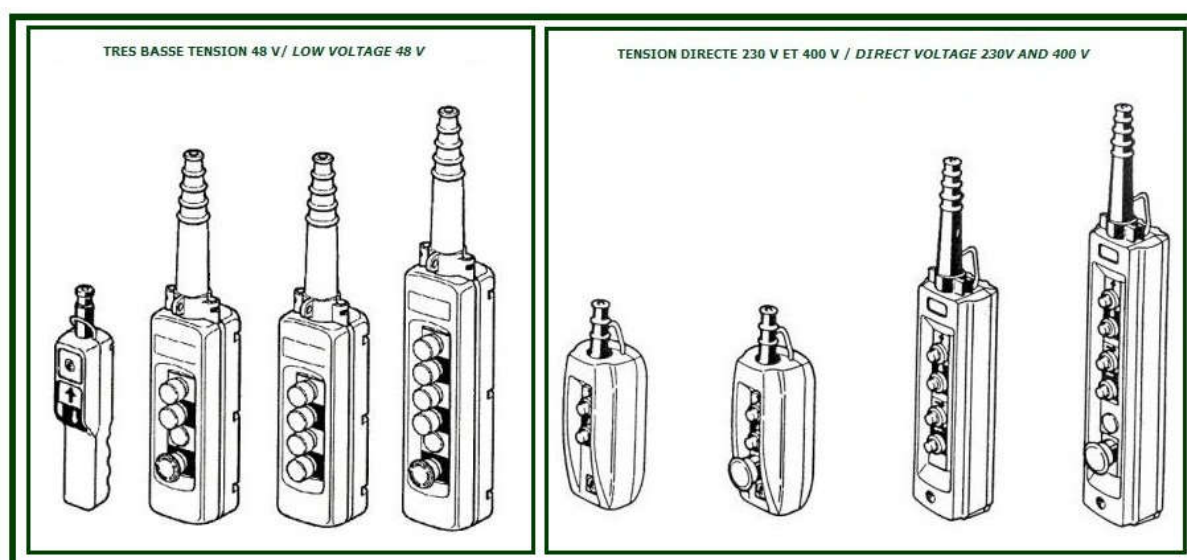
8) Electric box



item	reference	description	observation	Quantity
1	557508	Contacteur control panel		1
1	557668	Kit electric box		1
6	833748	Fixed connector subassembly + female insert	Pour boîte à bouton très basse tension For button box low voltage	1
6a	833749	Casing subassembly + male insert	Pour boîte à bouton très basse tension For button box low voltage	1
7	833868	Subassembly direct male plug	Pour boîte à bouton tension directe / For button box direct voltage	1
7a	833870	Direct plug set		1
7a	833869	Subassembly direct female plug	Pour boîte à bouton tension directe / For button box direct voltage	1
10	830870	Chain bucket fixing	Court/Short-Long	1
10TD	833244	Terminal board subassembly	1 VL / HS	1
10TD	833243	Terminal board subassembly	1 VL+M/A / HS/On/Off	1
10TD	833242	Terminal board subassembly	2 VL / HS	1
10TD	833241	Terminal board subassembly	2 VL+M/A / HS/On/Off	1
11	558073	Flat cable clamp		1
12TD	833822	On/off contactor	230 V	1
12TD	833823	On/off contactor	400 V	1
13	834176	DC PC board	Only for A type hoist (direct voltage)	1
13TD	833098	Brake control module Main switching control type	230 & 400 V Coffret acier auto/Steel cubicle automotive	1
14	834086	Electric board - 2HS+2CT+ES	400V/48V	1
14	834196	PC board K3DIRB 2HS 415 V	For the hoist manufactured before 1995 : change PC board electrical box	1
14	834191	PC board K3DIRB 2HS 230/400 V	For the hoist manufactured before 1995 : change PC board electrical box	1
14	834195	PC board K3DIRM 1HS 415 V	For the hoist manufactured before 1995 : change PC board electrical box	1
14	834197	PC board K3DIRM 1HS 230/400 V	For the hoist manufactured before 1995 : change PC board electrical box	1
14	834192	PC board K4DIRB 2HS + On/Es 230/400 V	For the hoist manufactured before 1995 : change PC board electrical box	1
14	834198	PC board K4DIRM 1HS + On/Es 230/400 V	For the hoist manufactured before 1995 : change PC board electrical box	1
14	834189	PC board K4DIRM 1HS + On/Es 415 V	For the hoist manufactured before 1995 : change PC board electrical box	1
14	834081	PC board K5	230/400 V	1
14	834082	PC board K6	230/400 V	1
14	834083	PC board K7	230/400 V	1

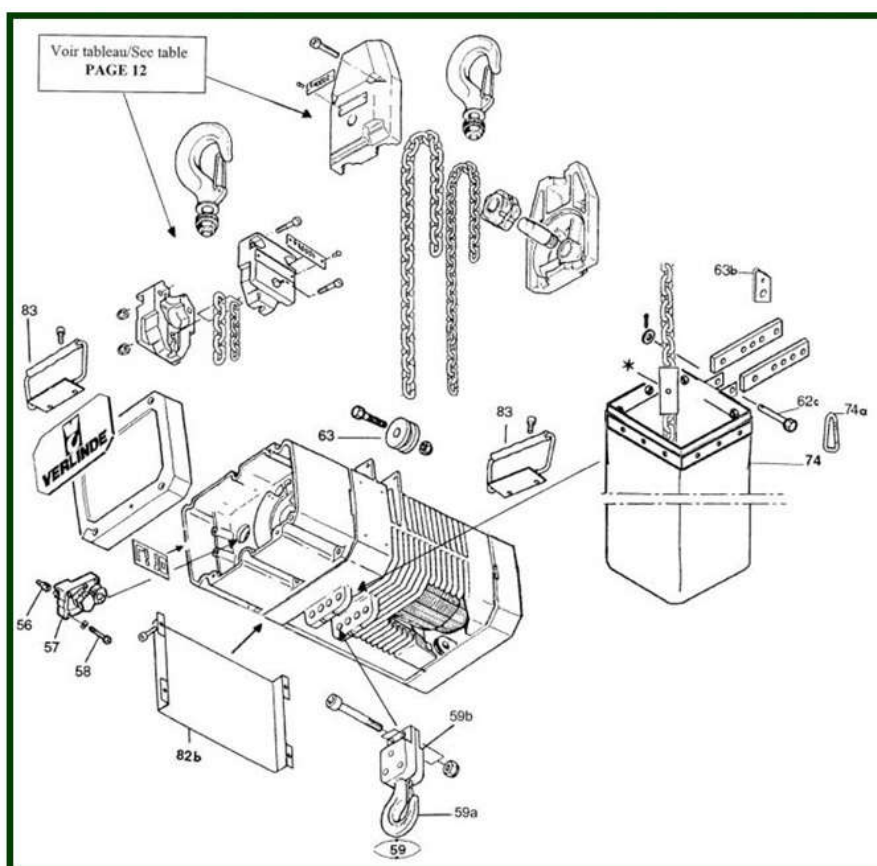
14	<u>834084</u>	PC board K8	230/400 V	1
14	<u>834085</u>	PC board K9	230/400 V	1
14	<u>834087</u>	PC board K11	230/400 V	1
14	<u>834088</u>	PC board K12	230/400 V	1
14	<u>834190</u>	PC Board K4DIRB 2HS + On/Es 415 V	For the hoist manufactured before 1995 : change PC board electrical box	1
-	<u>833130</u>	Fuse 0,5 A		1
-	<u>833131</u>	Fuse 1 A		1
-	<u>556564</u>	Transformer	415V 48V	1
-	<u>556563</u>	Transformer	500V 48V	1
-	<u>556560</u>	Transformer	Platine C.I. / PC board CI - 220-380V 48V	1

9) Push button box



item	reference	description	observation	Quantity
-	<u>834485</u>	Push button	1VL+1VD / 1HS+1CT	1
-	<u>834509</u>	Push button	1VL+1VD/1HS+1CT	1
-	<u>7631418W</u>	Push button	1VL+1VD+2VT+M/A / 1HS+1CT+2LT+ON/ES	1
-	<u>834487</u>	Push button	1VL+1VD+AU / 1HS+1CT+ES	1
-	<u>834510</u>	Push button	1VL+1VD+AU / 1HS+1CT+ES	1
-	<u>834494</u>	Push button	1VL+2VD / 1HS+2CT	1
-	<u>833511</u>	Push button	1VL+2VD / 1HS+2CT	1
-	<u>7631418X</u>	Push button	1VL+2VD+2VT+M/A / 1HS/2CT/2LT+ON/ES	1
-	<u>834495</u>	Push button	1VL+2VD+AU / 1HS+2CT+ES	1
-	<u>834512</u>	Push button	1VL+2VD+AU / 1HS+2CT+ES	1
-	<u>834479</u>	Push button	1VL+AU / 1HS+ES	1
-	<u>834508</u>	Push button	1VL+AU / 1HS+ES	1
-	<u>833474</u>	Push button	1VL+AU mono / 1HS+ES mono	1
-	<u>833473</u>	Push button	1VL mono / 1HS mono	1
-	<u>834489</u>	Push button	2VL / 2HS	1
-	<u>834477</u>	Push button	2VL / 2HS	1
-	<u>834481</u>	Push button	2VL / 2HS	1
-	<u>834482</u>	Push button	2VL+1VD / 2HS+1CT	1
-	<u>834491</u>	Push button	2VL+1VD / 2HS+1CT	1
-	<u>7631418Y</u>	Push button	2VL+1VD+2VT+M/A / 2HS+1CT+1LT+ON/ES	1
-	<u>834496</u>	Push button	2VL+1VD+AU / 2HS+1CT+ES	1
-	<u>834492</u>	Push button	2VL+1VD+AU / 2HS+1CT+ES	1
-	<u>834519</u>	Push button	2VL+2VD / 2HS+2CT	1
-	<u>7631418Z</u>	Push button	2VL+2VD+2VT+M/A / 2HS+2CT+2LT+ON/ES	1
-	<u>834488</u>	Push button	2VL+2VD+AU / 2HS+2CT+ES	1
-	<u>7631416I</u>	Push button	2VL+2VD+M+AU / 2HS+2CT+ON+ES	1
-	<u>834480</u>	Push button	2VL+AU / 2HS+ES	1
-	<u>834483</u>	Push button	2VL+AU / 2HS+ES	1
-	<u>834490</u>	Push button	2VL+2VD+AU / 2HS+2CT+ES	1

10) Specific parts LI10



item	reference	description	observation	Quantity
1	557166	Complete hook 05 M16 1t gr 2m / 1,5t gr 1bm	1 brin / 1 fall - J-K-L-M-N	1
1	557162	Complete hook 025 M16 0,5 t gr 2m / 1 t gr 1bm	1 brin / 1 fall - A-B-C-D-E-F-G-H	1
2	557167	Complete hook 05 M20 1t gr 2m / 2t gr 1 bm	2 brins / 2 falls - I-O-P-Q-R	1
2	557159	Complete hook 08 M24 2t gr 2m / 3t gr 1 bm	2 brins / 2 falls - S-T-U-V-W	1
57	2212011	Lifting steel standard hook	1 brin / 1 fall	1
58	1129	RAMNAS Automatic Hook - 1 fall	< 1000 Kg : chain 6,5 x 19,5 - fem 2m - 1600 Kg Chain 8 x 24 / fem 1Bm	1
58	1130	RAMNAS Automatic Hook - 2 falls	1500 Kg to 3000 kg - Chain 8 x 24	1
62	557152	Lower hook - 025 T M16	A-B-C-D-E-F-G-H To 1T	1
62	A001515	Safety latch - Steel wire type 025 or 012	PHR : 1000 kg - 2 brins / falls	1
62a	557156	Hook with thrust 05 M16	2000 Kg - J-K-L-M-N Linguet tôle à partir de Mars 2014 / Safety latch steel plate since march 2014	1
62a	2212017	Safety latch Steel plate - 025T	1 & 2 brins - Depuis 2000 1 & 2 falls - Since 2000	1
62a	A001514	Safety latch - Steel wire type - 05 T	PHR : 2000 kg - 04/2002	1
63	557144	Set of half block housing + chain 6,5x19,5	1 brin / 1 fall	1
64	557157	Lower hook 05 M20	05T GR 2M / 1T GR 1BM I-O-P-Q-R	1
65	556101	Return wheel axle		1
66	556124	Idle sprocket + self lubrication ring	PHR1 - Chaîne / Chain 6,5 x 19,5	1
66a	557172	Return wheel	Chaîne / Chain 8 x 24	1
67	557145	Set of half housing + chain 6,5x19,5	Moufle 1 T Gr 2 Moufle 2 T Gr 1Bm - 2 brins / 2 falls	1
68	557158	Lower hook 08 M24	S-T-U-V-W	1
68	128005	Safety latch hook 08	S-T-U-V-W - 3.2 T	1

69	<u>557147</u>	Set of half block housing M24 + chain 8x24	Moufle 2T Gr 2m Moufle 3T Gr 1 Bm - 2 brins / 2 falls	1
70	<u>557142</u>	Slack chain stop		1
71	<u>557143</u>	Fix point		1
72	<u>820125V</u>	Black chain - 6,5x19,5	80HB	1
72	<u>820121V</u>	Chain - 6,5x19,5	H80C	1
72	<u>820148V</u>	Galvanized chain - 6,5x19,5	80HB	1
72	<u>53060098</u>	Precut black chain - 6,5x19,5	18 m - 80HB	1
73	<u>820147V</u>	Galvanized chain - 8x24	H80B	1
73	<u>820122</u>	Special chain - 8x24	H80C	1
73	<u>820141</u>	Stainless steel chaîne - 6,5x19,5		1
	<u>1115</u>	Complete automatic hook kit	1 brin / 1 fall - 63+58+ vis	1
	<u>556351</u>	S.W.L. plate	1000 kg	2
	<u>557125</u>	S.W.L. plate	1500 kg	2
	<u>557088</u>	S.W.L. plate	2000 kg	2
	<u>557126</u>	S.W.L. plate	3000 kg	2
	<u>820000</u>	Set of chaining tools		1