

Spare parts catalogue for "VL02-VL05-XC1 Stepless (2003)"

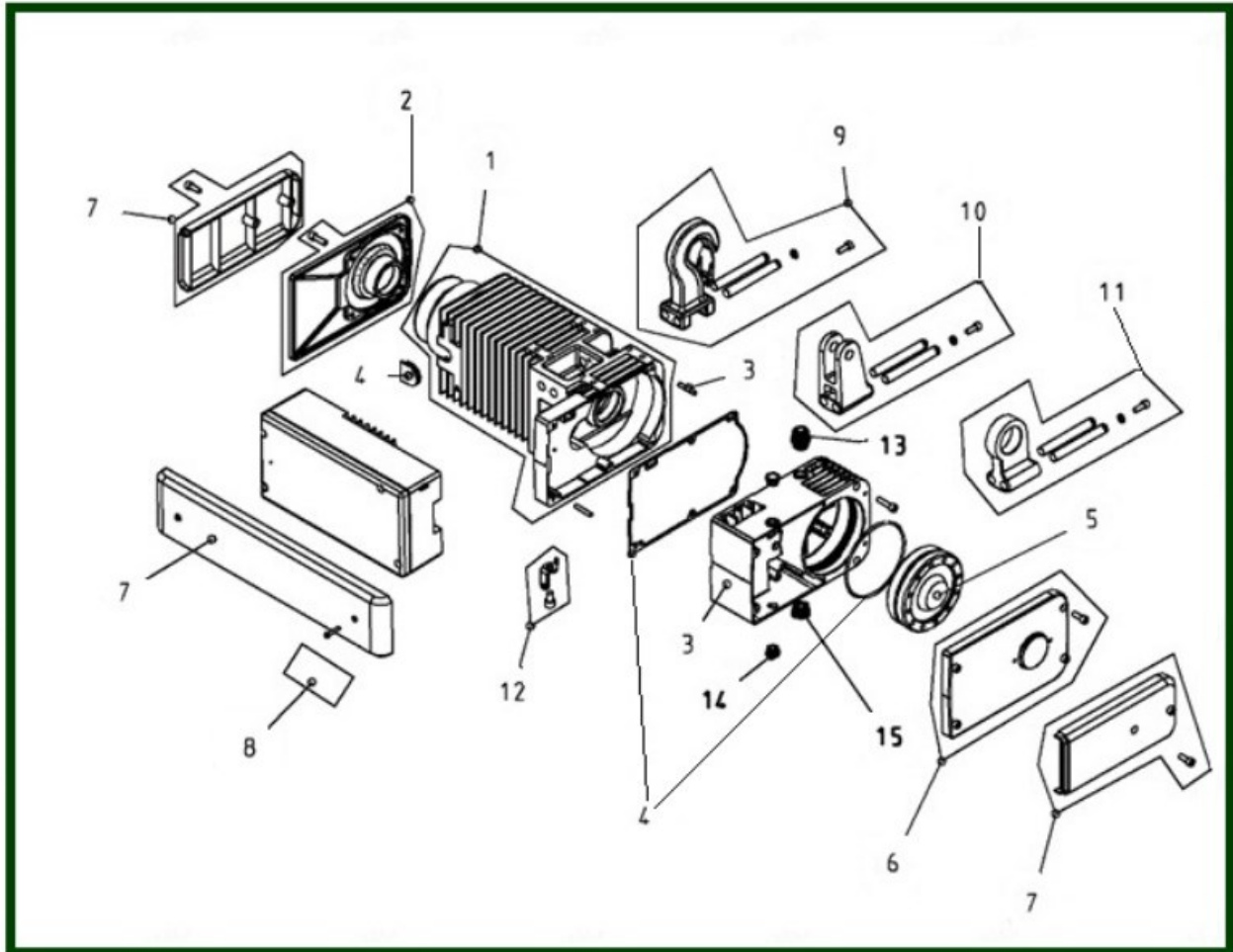
To avoid errors, when ordering please specify:

- Complete type of hoist
- Date of manufacture and serial number
- Spare part code
- Spare part designation
- Additional information



1. CASING – Stepless.....	2
2. MECHANISM / BRAKE – Stepless	4
3. ELECTRIC BOX – Stepless	5
4. ADJUST LIMIT SWITCH – Stepless	7

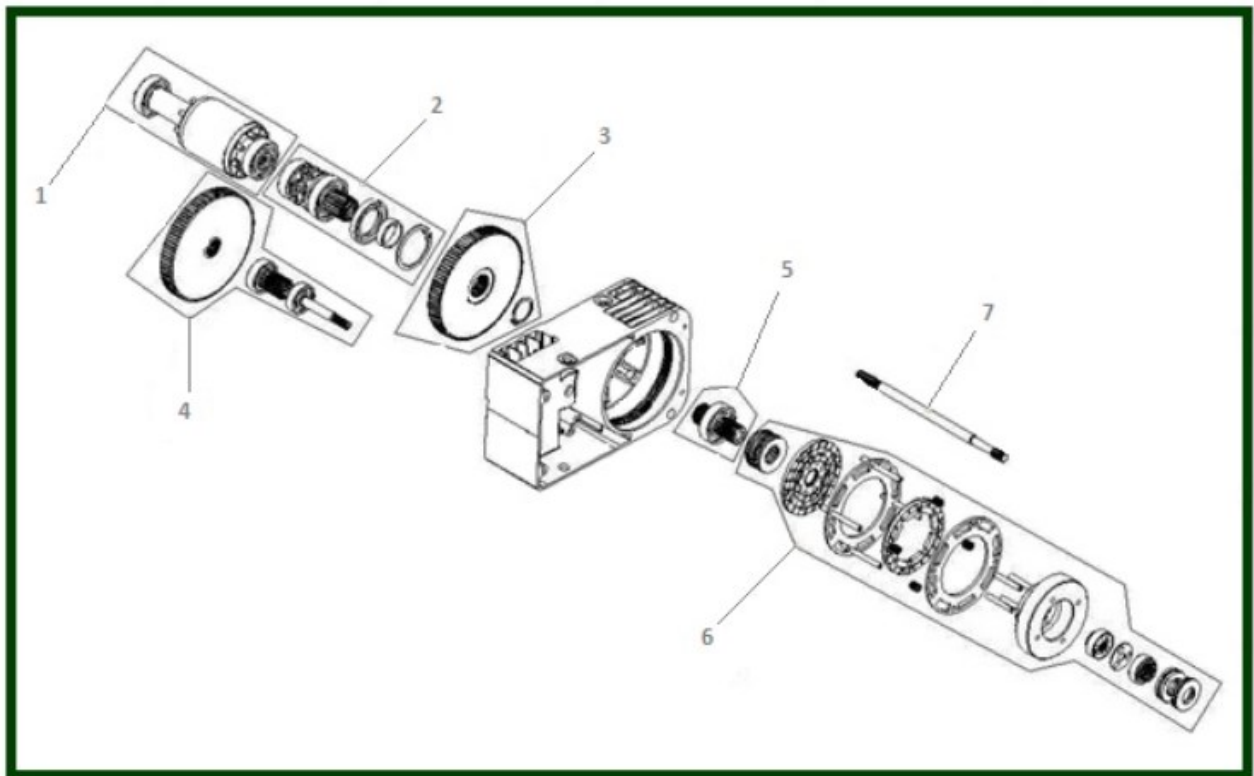
1. CASING – Stepless



Casing – Stepless

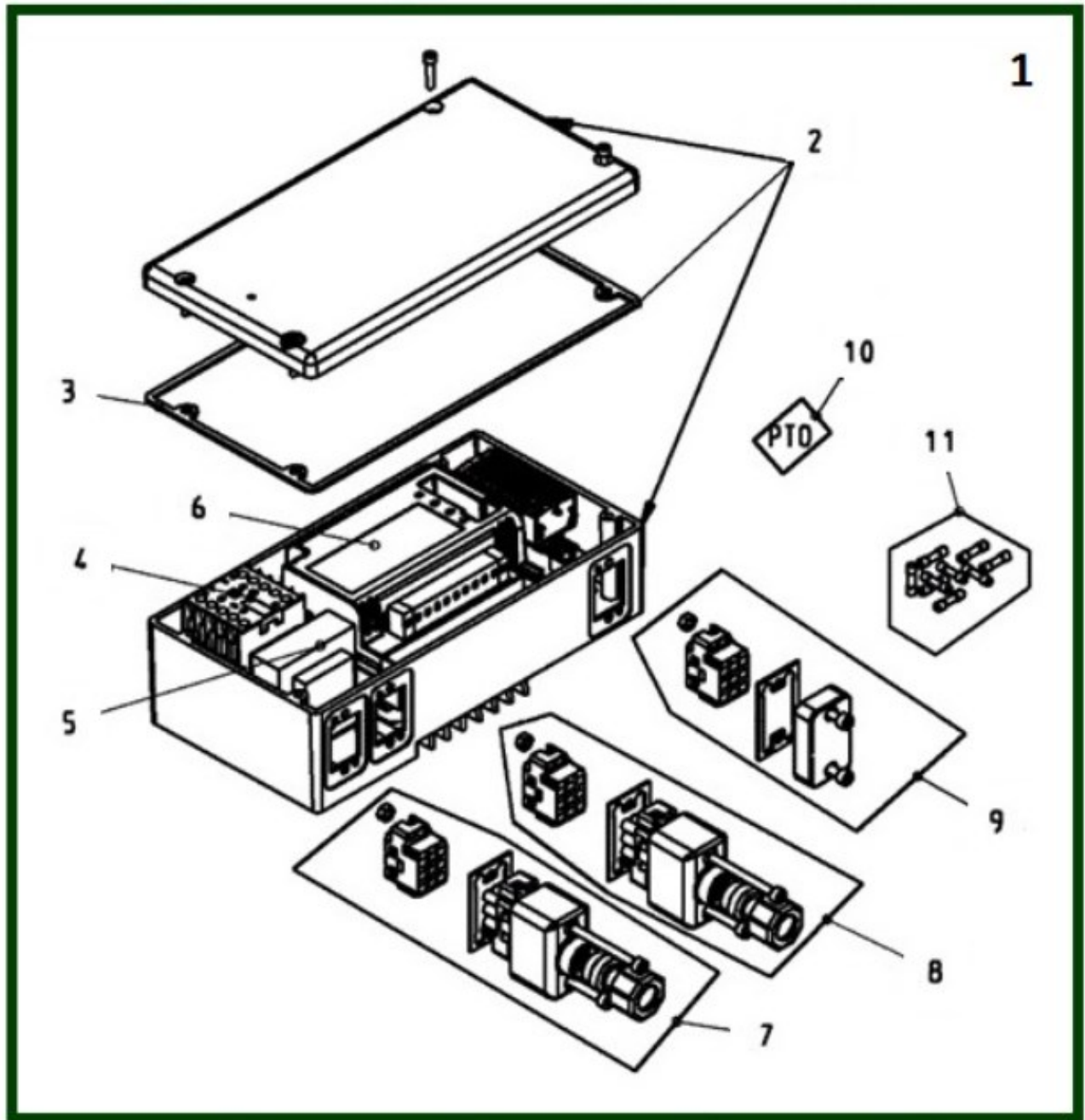
Item	Reference	Description	Observation	Quantity
1	<u>52316250</u>	Casing assembled with stator	380V/480V 3 Phases BIM.	1
2	<u>52308741</u>	Motor flange assy		1
3	<u>52339699</u>	Gear set		1
4	<u>52340062</u>	Set of sealings		1
5	<u>52339700</u>	Cover set for brake / Slipping clutch		1
6	<u>52339701</u>	Brake flange assy		1
7	<u>2216051</u>	Marking & covers set	VL5	1
8	<u>2219938</u>	Set of 10 load plates - Hoist	125 Kg	1
8	<u>2219917</u>	Set of 10 load plates - Hoist	160 kg	1
8	<u>2219918</u>	Set of 10 load plates - Hoist	250 Kg	1
8	<u>2219919</u>	Set of 10 load plates - Hoist	320 kg	1
8	<u>2219920</u>	Set of 10 load plates - Hoist	500 Kg	1
8	<u>2219921</u>	Set of 10 load plates - Hoist	630 kg	1
8	<u>2219922</u>	Set of 10 load plates - Hoist	1000 kg	1
9	<u>2219954</u>	Upper hook set + shaft and screws shaft and screws	Parallel suspension	1
9	<u>2219955</u>	Upper hook set + shaft and screws shaft and screws	Perpendicular mounting	1
10	<u>2229920</u>	Upper hook set + shaft and screws shaft and screws	Parallel suspension : CHM Perpendicular mounting : CHR	1
10	<u>2229921</u>	Upper hook set + shaft and screws shaft and screws	Parallel suspension : CHR Perpendicular mounting : CHM	1
11	<u>52308832</u>	Suspension eye	CHD	1
12	<u>2218000</u>	Push button station fixing point	Push button	1
-	<u>2212017</u>	Safety latch - Steel plate type - 025T	C10 : 1 fall - C05 : 2 falls Since 2000	1
-	<u>52308744</u>	Cap - Brake side		1

2. MECHANISM / BRAKE – Stepless



Item	Reference	Description	Observation	Quantity
1	52338099	Rotor Assembly		1
2	52339702	Chain sprocket assembly		1
3	52305473	Gear wheel set	8 m/mn	1
4	52339704	Gear assembly		1
5	52338100	Pinion		1
6	52339705	Brake Slipping clutch set		1
7	52339706	Motor shaft		1

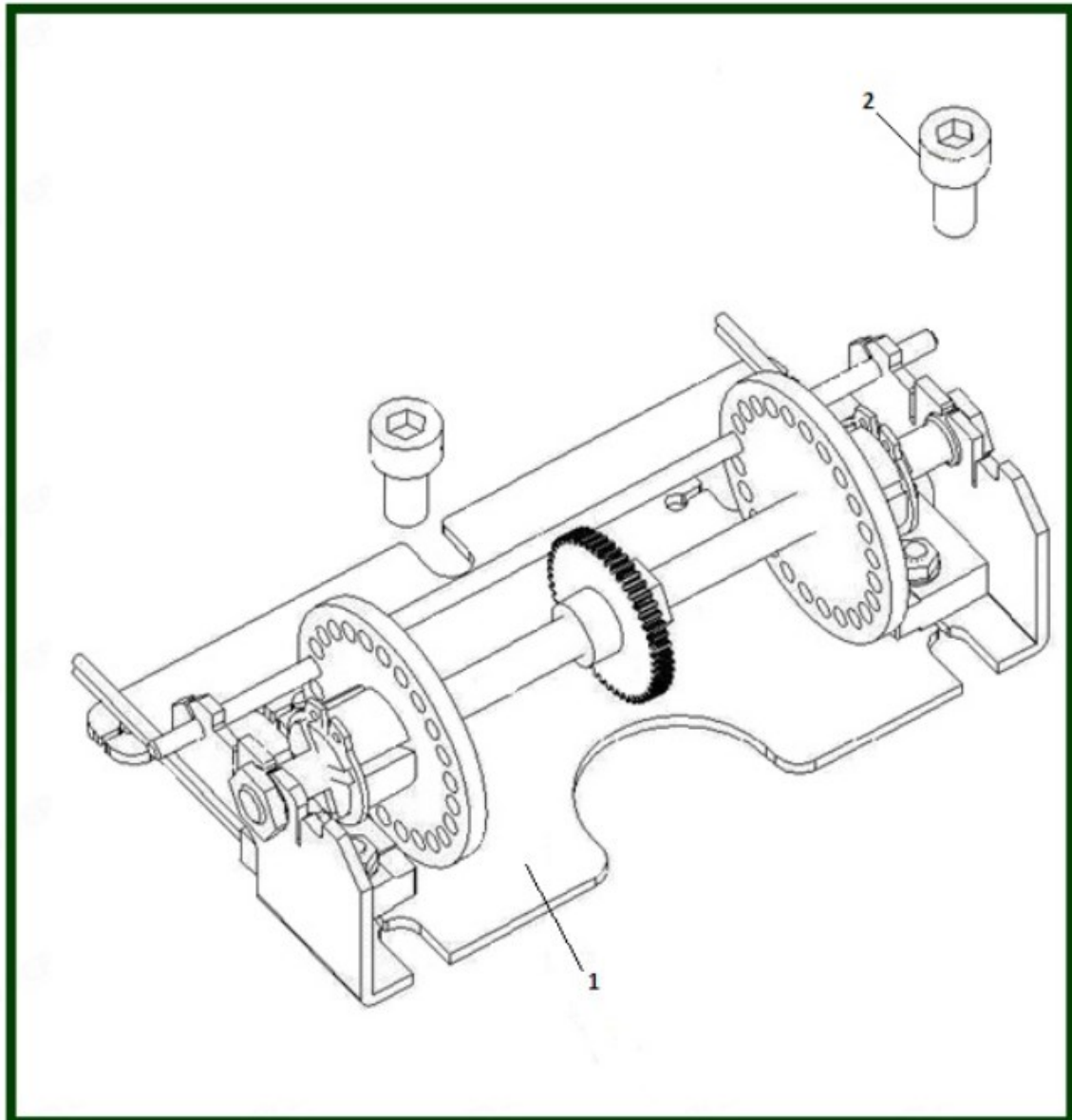
3. ELECTRIC BOX – Stepless



Electric box - Stepless

Item	Reference	Description	Observation	Quantity
1	<u>52310090</u>	Electrical cubicle	400V-50&60Hz-48VAC No more provided	1
1	<u>52340063</u>	Electrical cubicle	460V-50&60Hz-115VAC No more provided	1
2	<u>52340064</u>	Empty alu. cubicle with sealing		1
3	<u>52312998</u>	Sealing for electric cubicle		1
4	<u>1123051</u>	Contacteur	115 VAC	1
4	<u>7983061</u>	Emergency Stop contacteur	48V - Since June 2003	1
5	<u>52314654</u>	Transformer	400V-50&60Hz-48VAC	1
5	<u>52314653</u>	Transformer	460V-50&60Hz-115VAC	1
6	<u>52300287</u>	Inverter and filter	48VAC - M06-003V No more provided	1
6	<u>52300288</u>	Inverter and filter	115VAC - M06-004V No more provided	1
7	<u>2249982</u>	Connecting plug set	Power supply - Female plug	1
8	<u>2249945</u>	Connecting plug set	Push button - Male plug	1
9	<u>2249946</u>	Connecting plug set	Trolley - Male plug	1
10	<u>52340081</u>	Gear thermal protection		1
11	<u>52340092</u>	Set of 10 fuses	48V - 315 mA	1
11	<u>52340093</u>	Set of 10 fuses	115V - 160 mA	1

4. ADJUST LIMIT SWITCH – Stepless



Item	Reference	Description	Observation	Quantity
1	52337490	Gear limit switch assy 40 m + shaft rep. 2		1
2	8010612	CHC screws M6x12		2