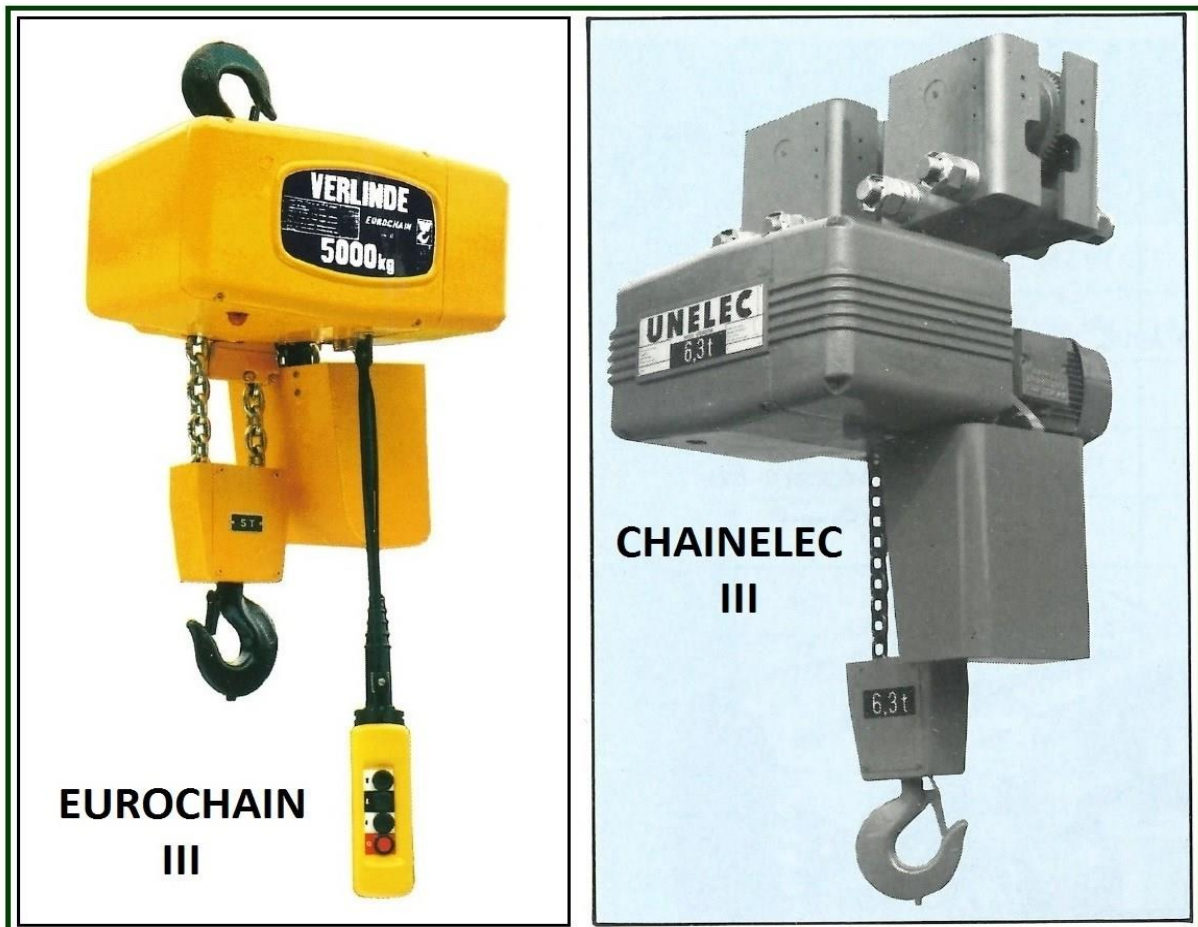


Spare parts catalog for "Eurochain / Chainelec III"

To avoid errors, when ordering please specify:

- Complete type of hoist
- Date of manufacture and serial number
- Spare part code
- Spare part designation
- Additional information

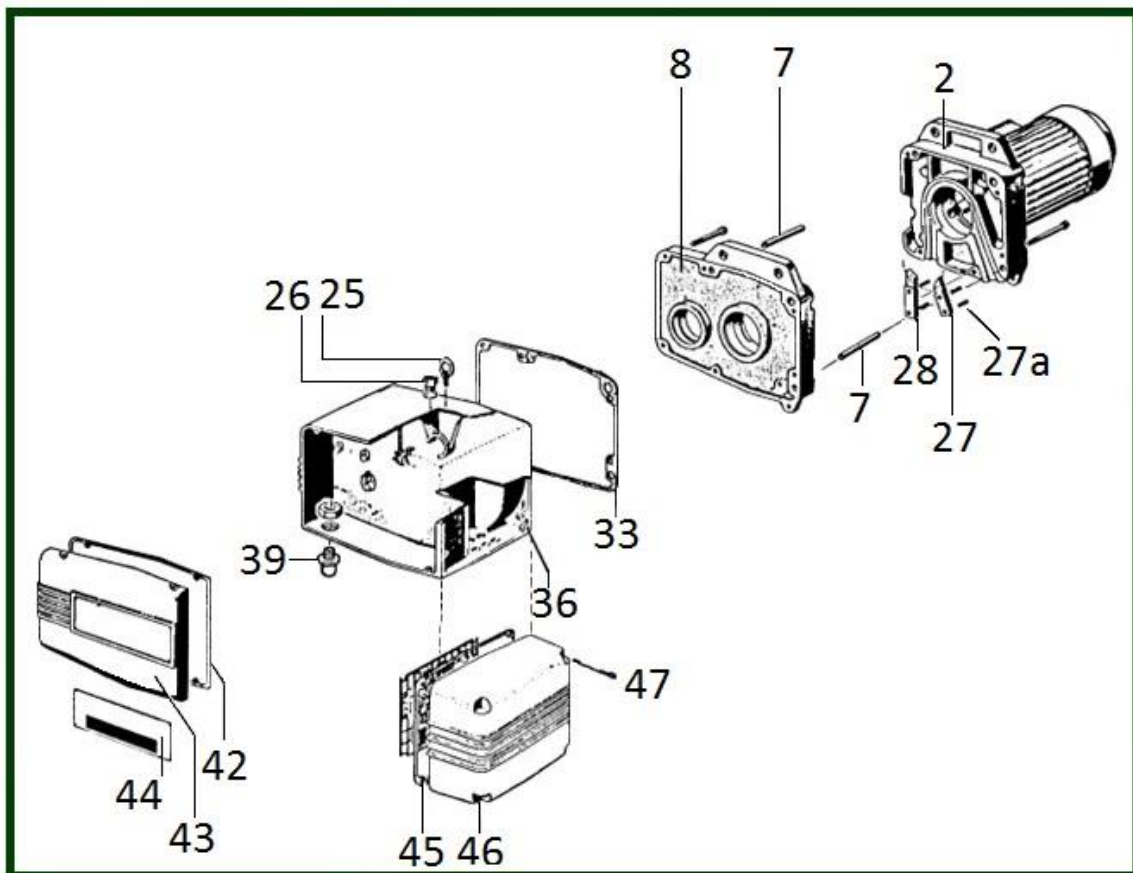


0. HOIST DESCRIPTION	2
1. CASING	3
2. MECHANISM AND LIMIT SWITCH FOR HOISTING ...	6
3. HOISTING MOTOR AND BRAKE	8
3.1. Hoisting brake: M brake	10
4. HOOK BLOCK AND HOOKING	11

0. HOIST DESCRIPTION

DESCRIPTION									
Load capacity	EUROCHAIN II	CHAINELEC II	Falls	Chain mm	Lifting speed m / mm	Lifting power motor - Kw	Single speed	Two speeds	Observations
2500	V257m	250C16V3	1	11,5 x 33	6,5	3,7	X		2m
2500	V257b	250C16W3	1	11,5 x 33	6,5 / 1,6	3,7 / 0,9		X	2m
3200	V325m	320C15V3	1	11,5 x 33	5	3,7	X		1bm
3200	V325b	320C15W3	1	11,5 x 33	5 / 1,2	3,7 / 0,9		X	1bm
5000	V503m	500C23V3	2	11,5 x 33	3,2	3,7	X		2m
5000	V503b	500C23W3	2	11,5 x 33	3,2 / 0,8	3,7 / 0,9		X	2m
6300	V633m	630C22V3	2	11,5 x 33	2,5	3,7	X		1bm
6300	V633b	630C22W3	2	11,5 x 33	2,5 / 0,6	3,7 / 0,9		X	1bm
7500	V752m	750C32V3	3	11,5 x 33	2,1	3,7	X		1bm
7500	V752b	750C32W3	3	11,5 x 33	2,1 / 0,5	3,7 / 0,9		X	1bm
10000	V1002m	1000C31V3	3	11,5 x 33	1,6	3,7	X		1bm
10000	V1002b	1000C31W3	3	11,5 x 33	1,6 / 0,4	3,7 / 0,9		X	1bm

1. CASING



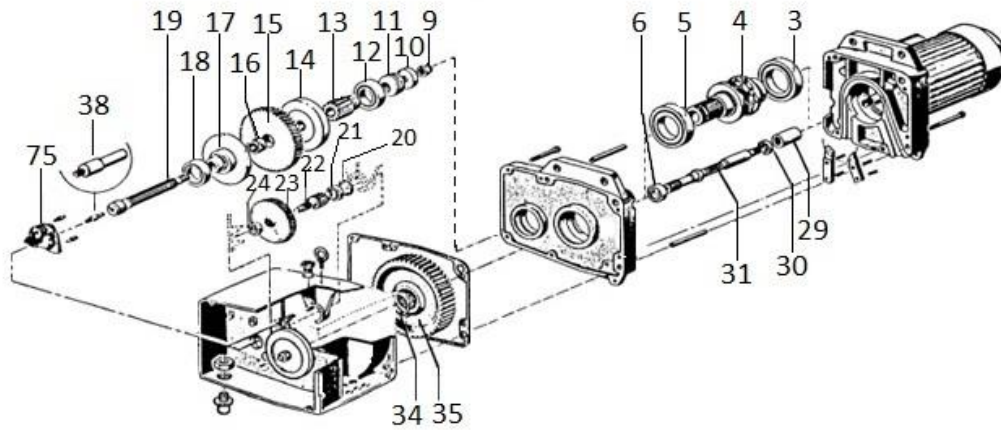
Casing

Item	Reference	Description	Observation	Quantity
2	833708	Flange – Motor side		1
7	831646	Pin guide	14x100 mm	2
8	553091	Flange – Gear side		1
25	553000	Ring anchor		1
26	553023	Drain plug +sealing		1
27	553071	Chain stripper dead - End chain side		1
27a	831614	Pin		4
28	553070	Chain stripper - Vertical chain side		1
33	553103	Gearbox seal - Motor side	Not supplied anymore	1
36	558020	Hoist motor gearbox		1
39	7691133C	Lamp	48V	1
39	7691142N	Bulb		1
42	553105	Seal – Brake side		1
43	558035	Housing carter – Brake side		1
44	550730	Name and force plate	2,5 T	1
44	550731	Name and force plate	3,2 T	1
44	550732	Name and force plate	5 T	1
44	550733	Name and force plate	6,3 T	1
44	550734	Name and force plate	7,5 T	1
44	550735	Name and force plate	10 T	1
45	553104	Control panel seal		1
46	558030	Control panel cover		1
47	553095	Electrical housing dowel		4
-	700075	Additive LA1 D11 A65		1
-	833238	Earth clip		1
-	833696	Earth clip AKE4		1
-	833695	Terminal board	220/380V	1
-	833239	Terminal board	415/600 V	1
-	7521111W	Rectifier	Brake 24V	0
-	7521122H	Rectifier	Brake 48V	1

Casing

Item	Reference	Description	Observation	Quantity
-	<u>833566</u>	Contacteur		1
-	<u>700131</u>	Contacteur - reverser of hoisting		1
-	<u>833381</u>	Contacteur ON/OFF		1
-	<u>833562</u>	Contacteur		1
-	<u>601802</u>	Travelling limit switch - 1 step		1
-	<u>811202</u>	Support plate		1
-	<u>833521</u>	Motor protector		1
-	<u>7513241S</u>	Transformer 415/440V	48V-63VA	1
-	<u>7513040Z</u>	Transformer 230/400V	48V-63VA 833639	1

2. MECHANISM AND LIMIT SWITCH FOR HOISTING



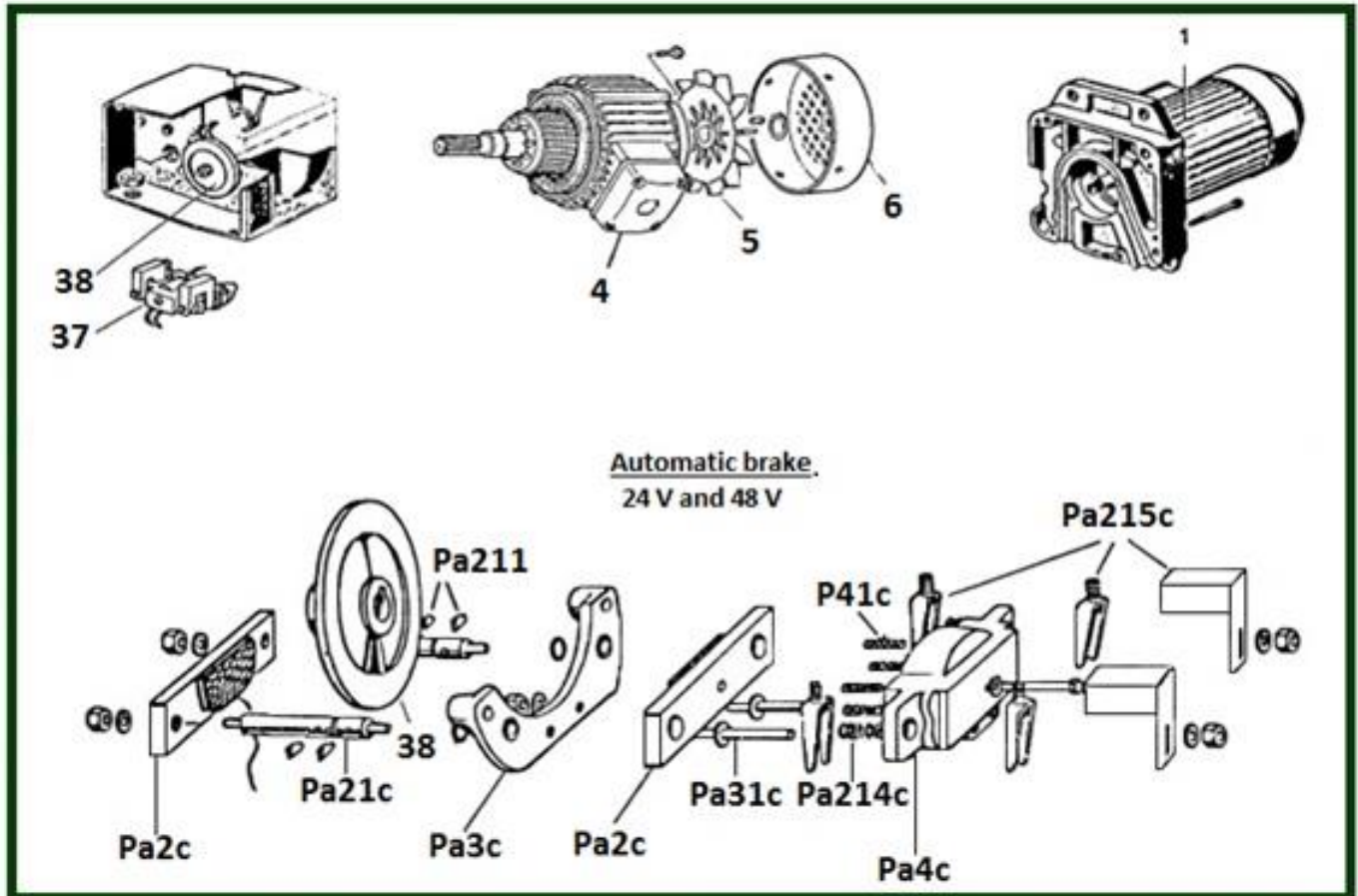
Length of rening chain

EUROCHAIN TYPE III	V257 - V503 - V752	V325 - V633 - V1002
Fin de course/Limit switch 12 s	6,50 m	6,80 m
Fin de course/Limit switch 30 s	19 m	16,80 m
Fin de course/Limit switch 45 s	30 m	23,80 m
Fin de course/Limit switch 60 s	30 m	23,80 m
Fin de course/Limit switch 90 s	30 m	23,80 m
Fin de course/Limit switch 120 s	30 m	23,80 m

Mechanism and limit switch for hoisting

Item	Reference	Description	Observation	Quantity
3	<u>833708</u>	Bearing		1
4	<u>553140</u>	Load wheel		1
5	<u>7412141A</u>	Bearing		1
6	<u>833714</u>	Bearing		1
9	<u>831591</u>	Limiter locking nut		1
10	<u>553201</u>	Limiter washer		1
11	<u>553185</u>	BELLEVILLE washer		1
12	<u>833709</u>	Bearing		1
13	<u>553170</u>	Pinion - 13 teeth	V325m-V325b-V633V633b-V1002m-V1002b	1
13	<u>553171</u>	Pinion - 18 teeth	V257m-V257b-V503m V503b-V752m-V752b	1
14	<u>553061</u>	Fixed friction	Is no longer provide	0
15	<u>553072</u>	Overload clutch pinion - 71 teeth		1
16	<u>553020</u>	Fluted washer		1
17	<u>553180</u>	Thin friction disc		1
18	<u>833707</u>	Bearing		1
19	<u>553002</u>	Limiter shaft		1
20	<u>300077</u>	Interior circlip	D et DA - I/77 - Ø 47	1
21	<u>7410055H</u>	Bearing	D HPR 72 (Bissel trolley)	1
22	<u>553005</u>	Intermediate shaft - 13 teeth		1
23	<u>553210</u>	Intermediate gear wheel - 89 teeth		1
24	<u>7412034J</u>	Bearing - LS80		1
29	<u>553110</u>	Splined motor coupling		1
30	<u>833713</u>	Bearing		1
31	<u>553001</u>	Main shaft	Except UNELEC	1
34	<u>553073</u>	Load wheel gear - 65 teeth	V325m-V325b-V633m V633b-V1002m-V1002b	1
34	<u>553074</u>	Load wheel gear - 72 teeth	V257m-V257b-V503m V503b-V752m-V752b	1
35	<u>830861</u>	Circlips		1
38	<u>557704</u>	Safety stop axle	Before 1986	1
75	<u>550306</u>	Rotary limit switch Runway - 12 s	Length of running chain : 8 m	1
75	<u>550307</u>	Rotary limit switch Runway - 30 s	Length of running chain : 9 m à 20	1
75	<u>550308</u>	Rotary limit switch Runway - 45 s	Length of running chain : 21 m à 30 m	1
-	<u>550309</u>	Rotary limit switch Runway	Length of running chain : 31 m à 40 m	1
-	<u>550310</u>	Rotary limit switch Runway	Length of running chain : 41 m à 60 m	1
-	<u>550311</u>	Rotary limit switch Runway	Length of running chain : 61 m à 80 m	1

3. HOISTING MOTOR AND BRAKE

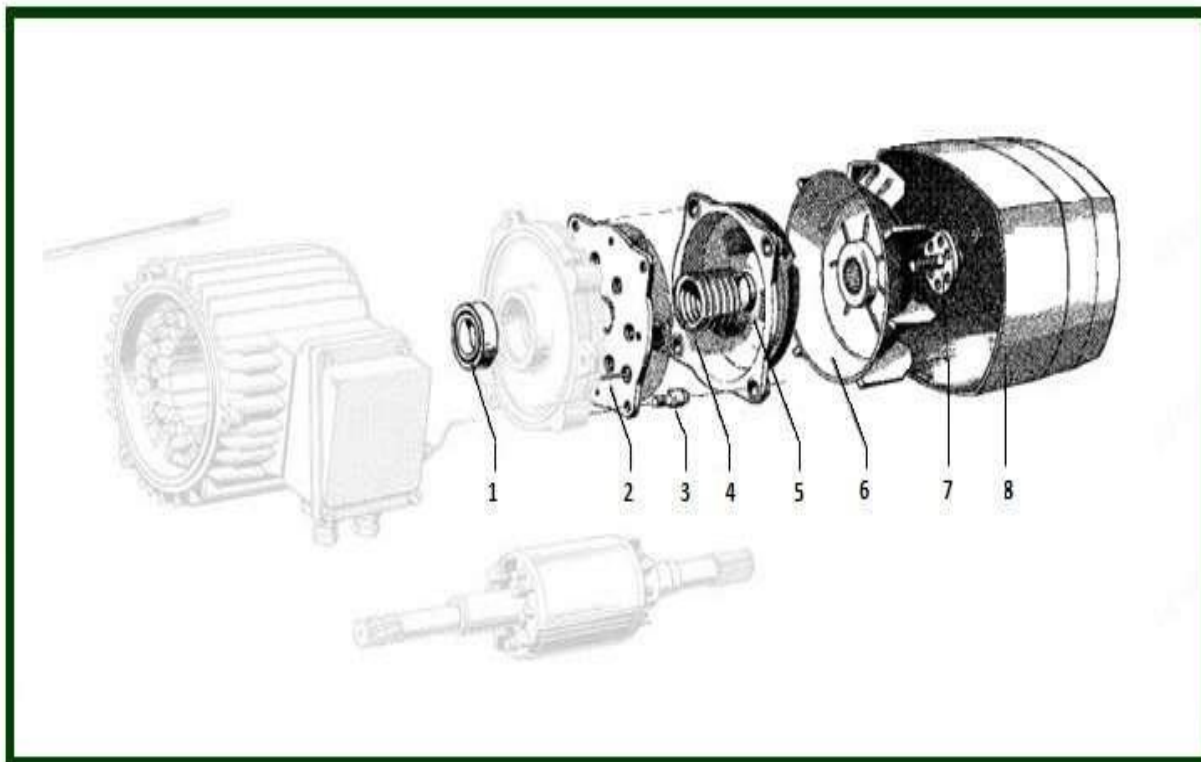


Hoisting motor and brake

Item	Reference	Description	Observation	Quantity
1	<u>550656</u>	Motor - 1 speed	3,7 KW	1
1	<u>550657</u>	Motor - 2 speeds	3,7/0,9 KW	1
4	<u>553657</u>	Connecting box Motor ABM 4DF100		1
5	<u>833872</u>	Fan - 1 speed		1
5	<u>833874</u>	Fan - 2 speeds		1
6	<u>833871</u>	Cover - 1 speed		1
6	<u>833873</u>	Cover - 2 speeds		1
37		Automatic brake - 24V Red - Blue	No longer supplied, Not exchangeable with manual brake	1
37		Automatic brake - 48V Black - White	No longer supplied Not exchangeable with manual brake	1
38	<u>5235201L</u>	Brake wheel		1
A26d	<u>7285040X</u>	Disc brake washer		1
Pa2c	<u>5235135Q</u>	Coil side brake bar		1
Pa2c	<u>5235136R</u>	Brake bar		1
Pa3c	<u>8567232I</u>	Support of brake		1
Pa4c	-	Automatic brake solenoid - 24V	No longer supplied	1
Pa4c	-	Automatic brake solenoid - 48V	No longer supplied - Stock at 0	1
Pa21c	<u>5235137S</u>	Studs		2
Pa31c	<u>5235138T</u>	Housing support pin		2
Pa211	<u>5255147S</u>	Wedge follower		4
Pa214c	<u>5255148T</u>	Gap control spring		2
Pa215c	<u>PA215C</u>	Key guide (key + spring)		1

3.1. Hoisting brake: M brake

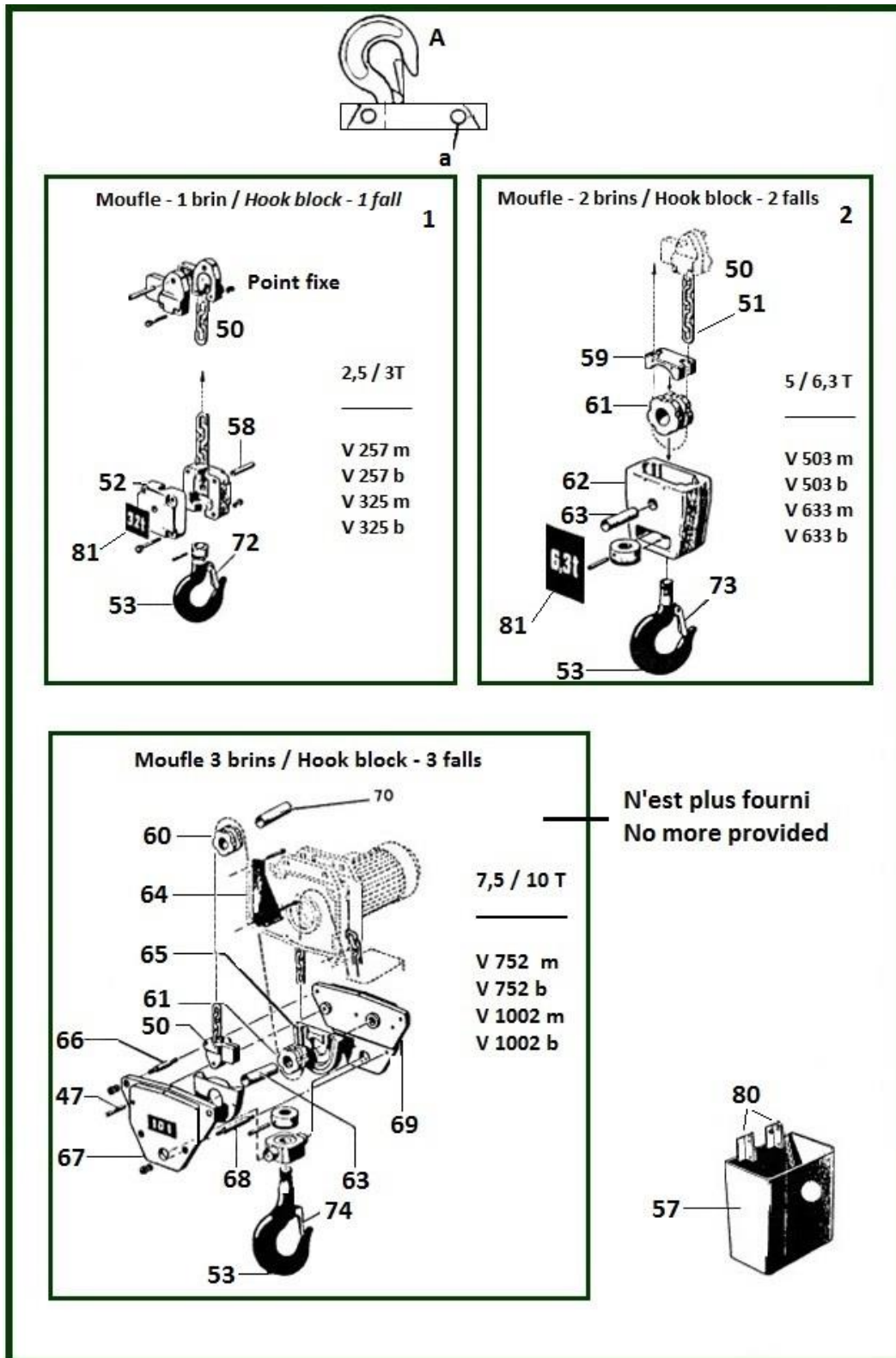
Only for CHAINELEC III - From 1981 to 1990



Element	Element	Description	Observation	Quantity
1	7412064S	Bearing	VS2....0 (VSX)	1
2 + 3	30088200050	Ake coil + screw - M90	No longer supplied	1
2 + 3	30088200051	Ake coil + screw - M100	No longer supplied	1
4 + 5	30066098003	Gear rim set - M90 (armature + spring)	No longer supplied	1
4 + 5	30066108003	Gear rim set - M100 (armature + spring)	No longer supplied	1
6 + 7	30081098127	Splined fan + washer and adjusting screw	M90	1
6 + 7	30081108127	Splined fan + washer and adjusting screw	M90 & M100 No longer supplied	1
-	30081088016Y	Hand release brake set	M90 & M100 No longer supplied	1
-	33210130505	Complete brake without back flange and manual release	M100 No longer supplied	1

4. HOOK BLOCK AND HOOKING

Precise us parallel or perpendicular



Hook block and hooking

Item	Reference	Description	Observation	Quantity
1	<u>550320</u>	Complete hook - 1 fall	2,5 T / 3,2 T	1
2	<u>550321</u>	Complete hook - 2 falls	5 T / 6,3 T	1
3	<u>550322</u>	Complete hook - 3 falls	7,5 T & 10 T - No more provided	0
47-58	<u>553096</u>	Pin	2,5 T / 10 T	1
50	<u>550821</u>	½ hook block set		1
51	<u>820149V</u>	Galvanized chain - 11,5 X 33	80HB	1
52	<u>550319</u>	½ Half cover	2,5 T / 3,2 T Screw to be used CHCM 8X70 8/8	2
53	<u>550329</u>	Hook - 1 fall	2,5 T / 3,2 T	1
53	<u>553101</u>	Hook - 2 falls	5 T / 6,3 T	1
53	<u>553116</u>	Hook - 3 falls	7,5 T / 10 T	1
57	<u>550161</u>	Chain bag	6 m	1
57	<u>550162</u>	Chain bag	24 m	1
59	<u>553102</u>	Chain guide	5 T / 6,3 T	1
60/61	<u>550653</u>	Return wheel	5 T / 10 T	2
62	<u>553100</u>	Hook block	5 T / 6,3 T	1
63	<u>553118</u>	Return wheel axle	7,5 T / 10 T	1
63-70	<u>550014</u>	Load wheel axle	5 T / 10 T	1
65	<u>553133</u>	½ chain guide	7,5 T / 10 T	2
66/68	<u>553114</u>	Sleeve	7,5 T / 10 T	4
67	<u>553111</u>	Half cover	7,5 T / 10 T	1
69	<u>553112</u>	Half cover	7,5 T / 10 T	1
72	<u>A001516</u>	Safety latch - 1 fall	2,5 T / 3,2 T	1
73	<u>A001517</u>	Safety latch - 2 falls	5 T / 6,3 T	1
74	<u>A001518</u>	Safety latch - 3 falls	7,5 T / 10 T	1
80	<u>550168</u>	Fixing chain bag		2
81	<u>550718</u>	Force plate	2,5 T	1
81	<u>550719</u>	Force plate	3,2 T	1
81	<u>550720</u>	Force plate	5 T	1
81	<u>550721</u>	Force plate	6,3 T	1
81	<u>550722</u>	Force plate	7,5 T	1
81	<u>550723</u>	Force plate	10 T	1

Hook block and hooking

Item	Reference	Description	Observation	Quantity
-	<u>833732</u>	Ball end stop		1
-	<u>1131</u>	Automatic lower hook - RAMNAS	2,5 T	1
-	<u>1132</u>	Automatic lower hook - RAMNAS	3,2 T Replaced by 001131	1
A	<u>550016</u>	Suspension axle	2,5 T / 10 T	2
A	<u>550340</u>	Hook + crosshead perpendicular or parallel set	2,5 T / 3,2 T Precise us parallel or perpendicular	1
A	<u>550341</u>	Hook + parallel crosshead set	5 T	1
A	<u>550343</u>	Hook + perpendicular crosshead set	5 T	1