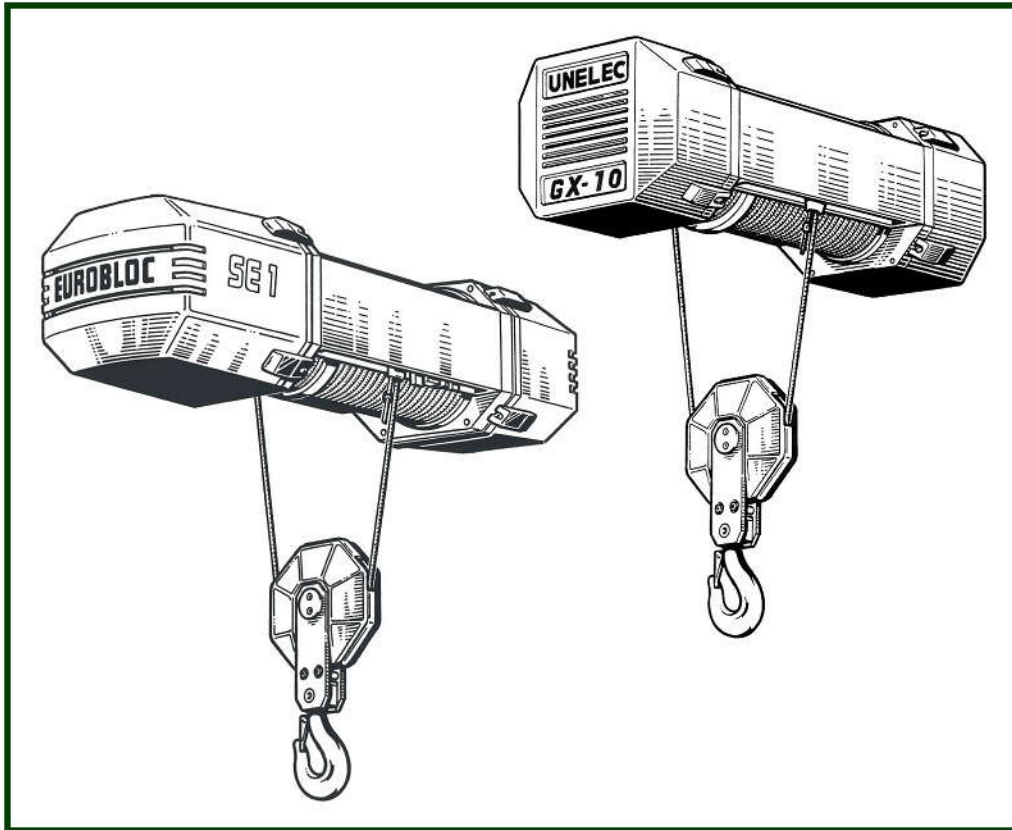


Spare parts catalog for "SE1 - GX10"

To avoid errors, when ordering please specify:

- Complete type of hoist
- Date of manufacture and serial number
- Spare part code
- Spare part designation
- Additional information



1) SUB-ASSEMBLIES

2) CROSSHEAD - FIXED POINT - RETURN PULLEY - LOAD LIMITER 2/1-4/1

3) DRUM ROPE GUIDE - LIMIT SWITCH - ROPE

3.1) Pre-cut rope

4) HOISTING GEARBOX

5) HOIST MOTOR

5.1) SE Motor

5.2) GX Motor

6) HOOK BLOCK - 1 FALL

7) HOOK BLOCK - 2 FALLS

8) HOOK BLOCK - 4 FALLS

9) STANDARD HEADROOM MONORAIL TROLLEY

10) REDUCED HEADROOM TROLLEY

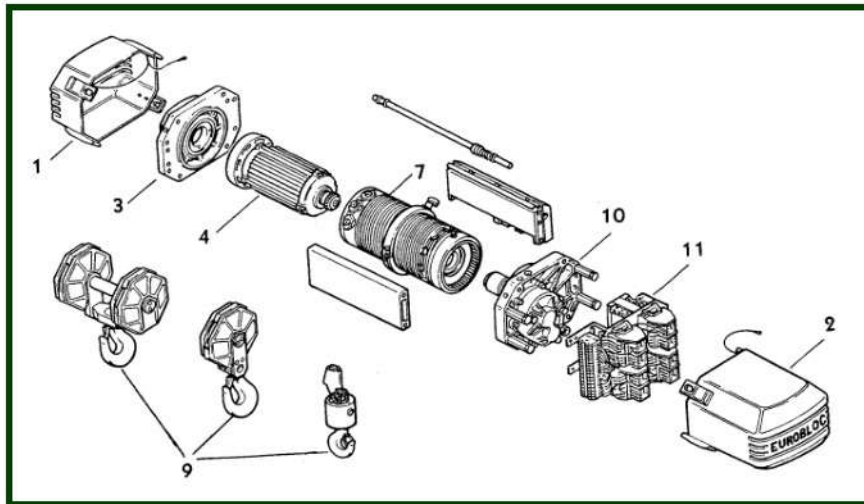
11) TROLLEY 2/1 WITH OR WITHOUT LOAD LIMITER

12) TROLLEY 4/1 RETURN PULLEY AND FIXED POINT

13) CRAB FRAME

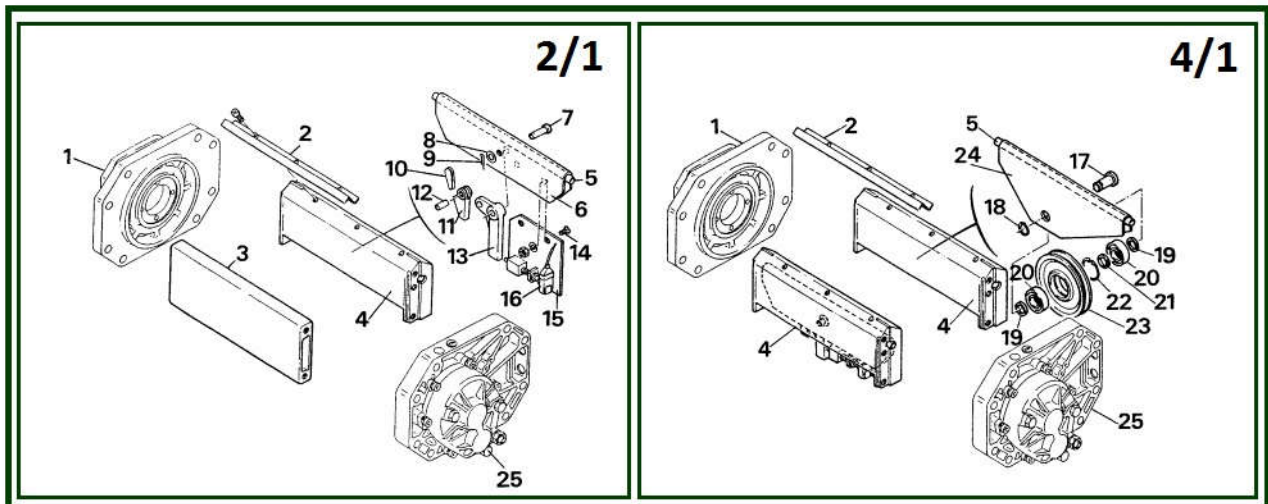
14) ELECTRICAL EQUIPMENT

1) Sub-assemblies



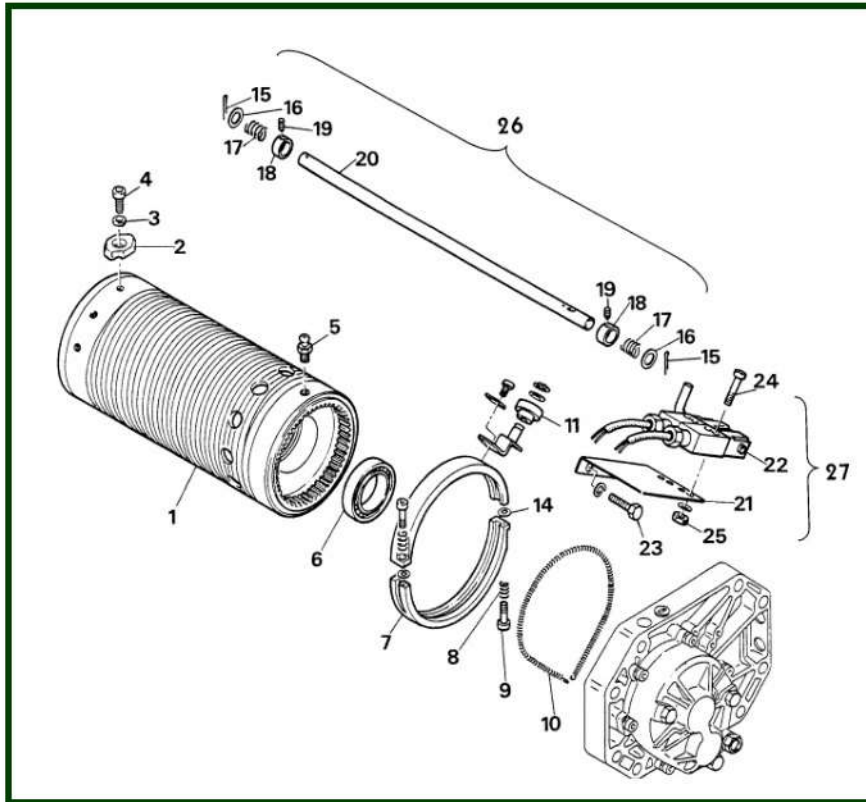
item	reference	description	observation	Quantity
1	341018533003	Cover - Motor side	GX	1
1	18533001	Cover - Motor side	SE	1
2	341018533004	Gearbox housing cover	GX	1
2	18533002	Gearbox housing cover	SE	1
3	11125002	Motor end plate		1
4	18001073	Hoist motor - 1 speed	3Kw - 220V 380V	1
4	18001123	Hoist motor - 1 speed	3Kw - 415V	1
4	18002013	Hoist motor - 2 speeds	3/0 - 75Kw - 220V	1
4	18002053	Hoist motor - 2 speeds	3/0 - 75Kw - 380V	1
4	18002123	Hoist motor - 2 speeds	3/0 - 75Kw - 415V	1
7	12135001	Complete drum		1
7	12301002	Complete rope guide	8 mm-4/2 Gauche-Levage centré Left-True vertical lift	1
7	12301005	Complete rope guide	8mm - Droit/Right	1
7	12301001	Complete rope guide	8mm-HPN/NHT-Droit/Right	1
9	13201001	Complete hook block	2 brins / 2 falls	1
9	13401001	Complete hook block	4 brins / 4 falls	1
9	3233310T	Complete hook block	Ø 6.5 mm	1
10	14001003	Complete hoist gearbox	16 m/mn	1
10	14001001	Complete hoist gearbox	20 m/mn	1
10	14001002	Complete hoist gearbox	40 m/mn	1
11	Chap 14	Switchgear		1
-	7252201C	Cap with screw		4
-	7791300E	Cover seal		1
-	18533007	Fixing part for hoist covers		4

2) Crosshead - Fixed point - Return pulley - Load limiter 2/1-4/1



item	reference	description	observation	Quantity
1	11125002	Motor end plate		1
2	11133003	Rail		1
3	11133001	Frame - Side plate		1
4	11124001	Yoke		1
5	11215001	Fixed point yoke supporting rod		1
6	11224001	Fixed point yoke		1
7	5231411S	Anchor pin		1
8	7151213H	Washer		1
9	7271322L	Pin		1
10	8536224E	Key cable	Ø 8.5 mm	1
11	5231410R	Rope anchorage		1
12	5231431P	Rope attachment cable	Uniquement limiteur	1
13	5231432R	Right-angled lever		1
14	7216656S	Fixing screw		2
15	11926001	Load limiter mechanism plate		1
16	7545111H	Load limiter electrical contact	Avant fin/Before end 1991	1
17	11316001	Pulley spindle		1
18	7262040X	Exterior circlip		1
19	23417002	Spacer collar		2
20	7410082N	Bearing		2
21	13417003	Spacer collar		1
22	7261068R	Interior circlip		1
23	13412001	Pulley		1
24	11324001	Return pulley yoke		1
25	11125001	Gearbox end plate		1
	11901001	Complete load limiter	2/1 HPR / LHT	1
	11901003	Complete load limiter	4/1 HPR / LHT	1
	11901005	Load limiter without support		1

3) Drum Rope Guide - Limit switch - Rope

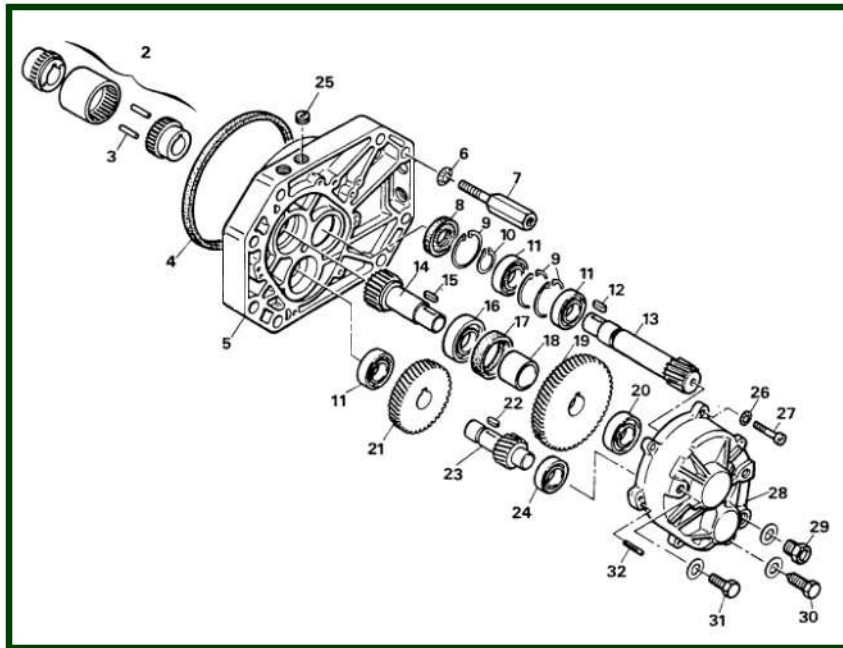


item	reference	description	observation	Quantity
1	12135001	Complete drum		1
2	12133001	Rope anchor on drum	VS2-VS4	3
3	7232100D	Narrow Grover washer -10mm	DIN12	3
4	7215504Q	CHC screw	M10X20 ZN DIN912	3
5	NCGr	Lubricator nipple		1
6	7410132S	Bearing	6013RS	1
7	12301002	Complete rope guide	8 mm-4/2 Gauche-Levage centré Left-True vertical lift	1
7	12301005	Complete rope guide	8mm - Droit/Right	1
7	12301001	Complete rope guide	8mm-HPN/NHT-Droit/Right	1
8	12332001	Pressure spring	VS1-VS2	1
9	7215309C	Screw for pressure spring	CHC M6X44	2
10	12332002	Pressure ring spring		1
11+12+13	12301010	Rope guide roller		1
22	12503001	Limit switch without support		1
26	12503002	Limit switch operating rod assembly	15-16-17 18-19-20	2
27	12502002	Limit switch contact assembly+support	20-21-22-23-24	2
	7333080Q	Bull dog grip - ø 8,5	DIN741-6.5	1
	7541412N	Limit switch contact - Top		1
	7311736E	Non rotating wire rope - ø 8,5	mètre / meter	1
	7321833Q	Preformed steel rope - ø 8,5	Le mètre / the meter	1

3.1) Precut rope

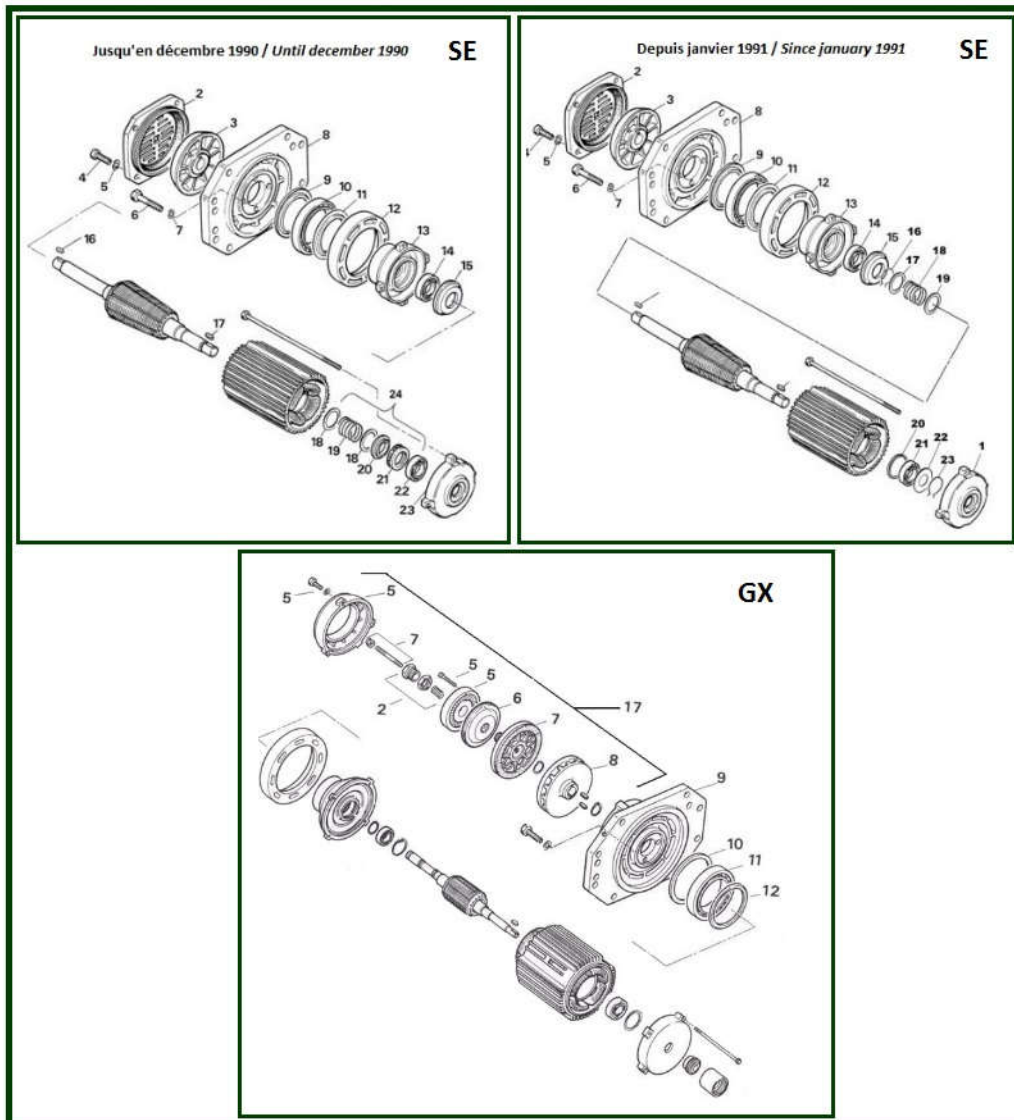
item	reference	description	observation	Quantity
	<u>12201002</u>	Non rotating wire rope - ø 8,5	Lg28,5m-2/1	1
	<u>12201003</u>	Preformed steel wire rope - ø 8,5	Lg29,5m-4/1	1

4) Hoisting gearbox

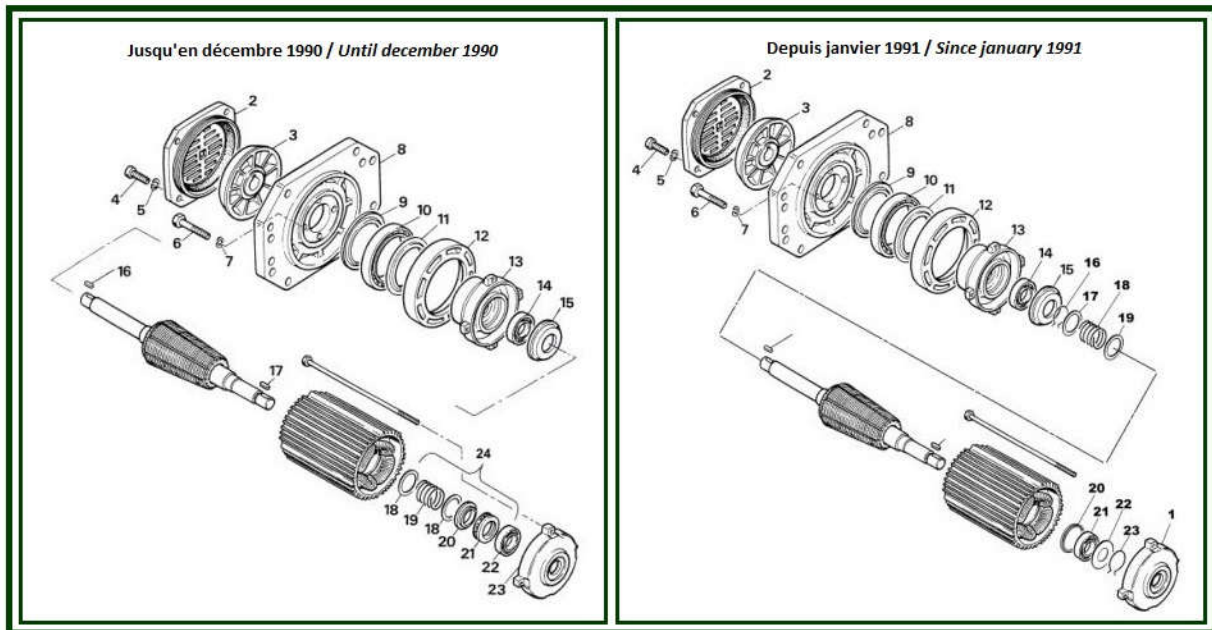


item	reference	description	observation	Quantity
2	12401001	Complete coupling		1
3	7273358Z	Pin		2
4	14033002	Gasket		1
5	11125001	Gearbox end plate		1
6	7232161V	Washer	2/1 & 4/1 < 5T	4
7	11133002	Locking pins		4
8	5235	Gasket		1
9	7261047T	Interior circlip		3
10	7262020A	External circlip	Ø 30 - 1/77	1
11	7412045W	Bearing		3
13	14020001	Pinion axle 13 teeth		1
14	14020005	Pinion axle 15 teeth		1
16	7425060T	Bearing Ø 400	C, D, E, F	1
17	5212	Gasket		1
18	14017001	Spacer collar		1
19	14019004	Geared wheel 16m/mn 66teeth		1
19	14019002	Geared wheel 20m/mn 65 teeth		1
19	14019003	Geared wheel 40m/mn 56teeth		1
20	7413050P	Bearing		1
21	14019001	Geared wheel 63 teeth		1
22	7282061J	Key		1
23	14020004	Pinion 16m/mn 11 teeth		1
23	14020002	Pinion 20m/mn 12 teeth		1
23	14020003	Pinion 40m/mn 21 teeth		1
24	7413040C	Bearings		1
25	7643121R	Gland		1
26	7232080G	GROWER washer - Ø 8		6
28	14014001	Gearbox cover		1
29	5221	Oil level plug		1
30	5220	Magnetized plug		2
31	5218	Breather screw plug		1
32	5219	Pin		1

5) Hoist motor

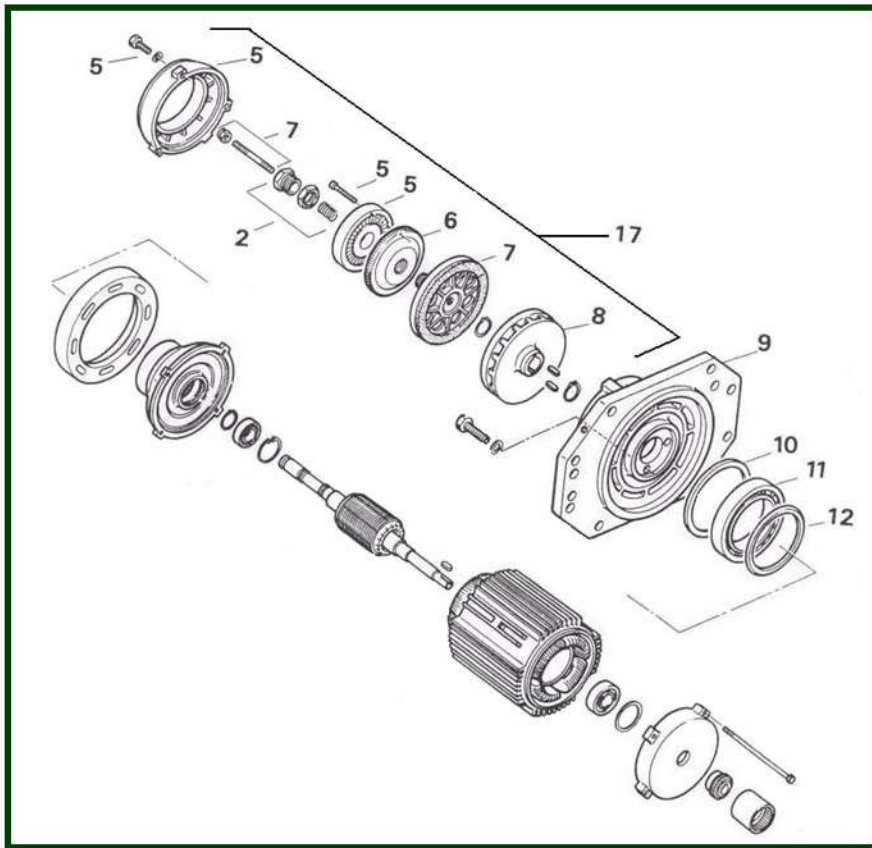


5.1) SE Motor



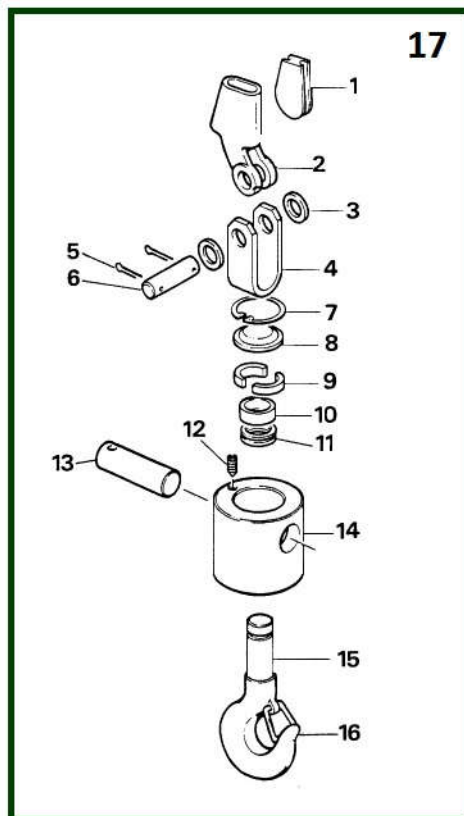
item	reference	description	observation	Quantity
1	18022011	Flange - Coupling side	Depuis janvier 91	1
2	18023001	Brake end cap with linings		1
3	18023002	Brake cone		1
4	7215408K	Screw		4
5	7232080G	GROWER washer - Ø 8		4
6	7211560C	Screw		4
7	7232100D	Narrow Grower washer -10mm	DIN12	4
8	11125002	Motor end plate		1
9	7416021W	Gaskert		1
10	7410200R	Bearing		1
11	7416022X	Gasket		1
12	18022004	Collar		1
13	18022001	Bearing plate	Jusqu'en déc. 90 / until december 90	1
13	18022012	Flange - Brake side	Depuis janvier 91 / since January 91	1
15	18022002	Bearing	Jusqu'en déc. 90 / until december 90	1
16	7282081F	Key	Jusqu'en déc. 90 / until december 90	1
17	7282061J	Key		1
23	18022003	Bearing plate	Jusqu'en déc. 90 / until december 90	1
24	18003001	Repair kit	Jusqu'en déc. 90 / until december 90 (14+18+19+20+21+22)	1
-	18001073	Hoist motor - 1 speed	3Kw - 220V 380V	1
-	18001123	Hoist motor - 1 speed	3Kw - 415V	1
-	18002013	Hoist motor - 2 speeds	3/0 - 75Kw - 220V	1
-	18002053	Hoist motor - 2 speeds	3/0 - 75Kw - 380V	1
-	18002123	Hoist motor - 2 speeds	3/0 - 75Kw - 415V	1
-	18023004	NITROC brake cone		1
-	18003003	Repair kit	Depuis janvier 91 / since January 91 (14+16+17+18+19+20+21+22+23)	1

5.2) GX Motor



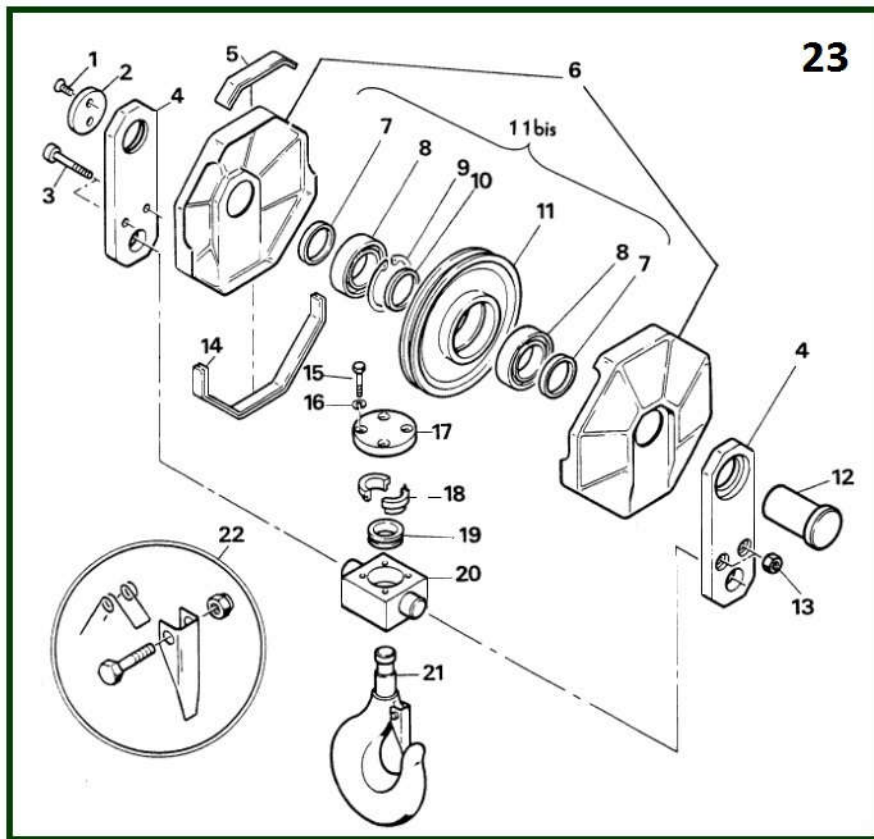
item	reference	description	observation	Quantity
2	341018223008	Couple kit		4
5	341018223005	Head wound kit		4
6	341018223004	Armature		1
7	341018223001	Brake kit		4
8	341018223003	Frame		1
9	11125002	Motor end plate		1
10	7416021W	Gaskert		1
11	7410200R	Bearing		1
12	7416022X	Gasket		1
17	341018203001	Complete brake assy + disc	Identique mono et bi-vitesse	1
-	34107344431C	Hoist motor	3/0.75Kw - 2 vitesses/2 speeds 220/380V 50Hz LS100L2 FCO	1
-	34107343331G	Hoist motor	3Kw - 1 vitesse /1 speed 220/380V LS90L3 FCO	1

6) Hook block- 1 fall



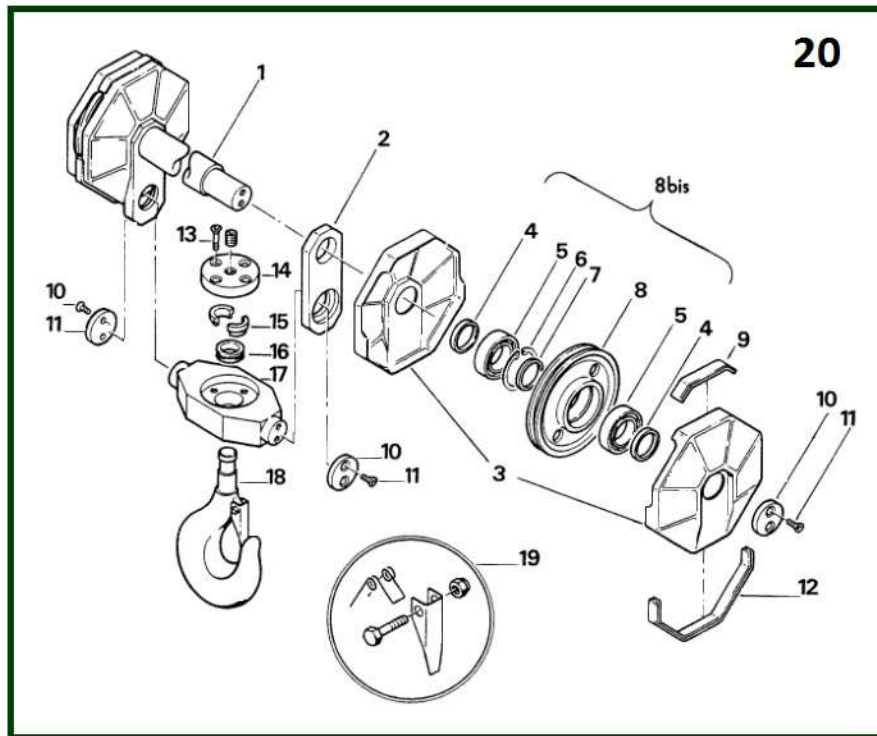
item	reference	description	observation	Quantity
1	8536224E	Key cable	Ø 8.5 mm	1
2	5231410R	Rope anchorage		1
3	7231122R	Washer MU12		2
4	5233311G	Stirrup	Câble / Rope Ø 11 & 12 mm	1
5	7271404A	Split pin		2
6	5233312H	Rope anchor pin		1
7	7261080D	Internal circlip - Ø 80		1
8	5233615N	Cap	Câble / Rope Ø 11 & 12 mm	1
9	5233613K	Half segment ring	Câble / Rope Ø 11 & 12 mm	1
10	5233612J	Cylindrical dish	Câble / Rope Ø 11 & 12 mm	1
11	7431062S	Thrust bearing		1
12	7217434N	Pointed screw	Câble / Rope Ø 11 & 12 mm	1
13	5233302X	Axle	Câble / Rope Ø 11 & 12 mm	1
14	5233301W	Washer	Câble / Rope Ø 11 & 12 mm	1
15	5233610G	Hook with safety catch		1
16	SR32F	Safety catch (wire)	Câble / Rope Ø 11 & 12 mm	1
16	13203003	Safety-latch	Lot de /set of 5 pièces	1
17	3233310T	Complete hook block	Ø 6.5 mm	1
	7333080Q	Bull dog grip - ø 8,5	DIN741-6.5	1

7) Hook block - 2 falls



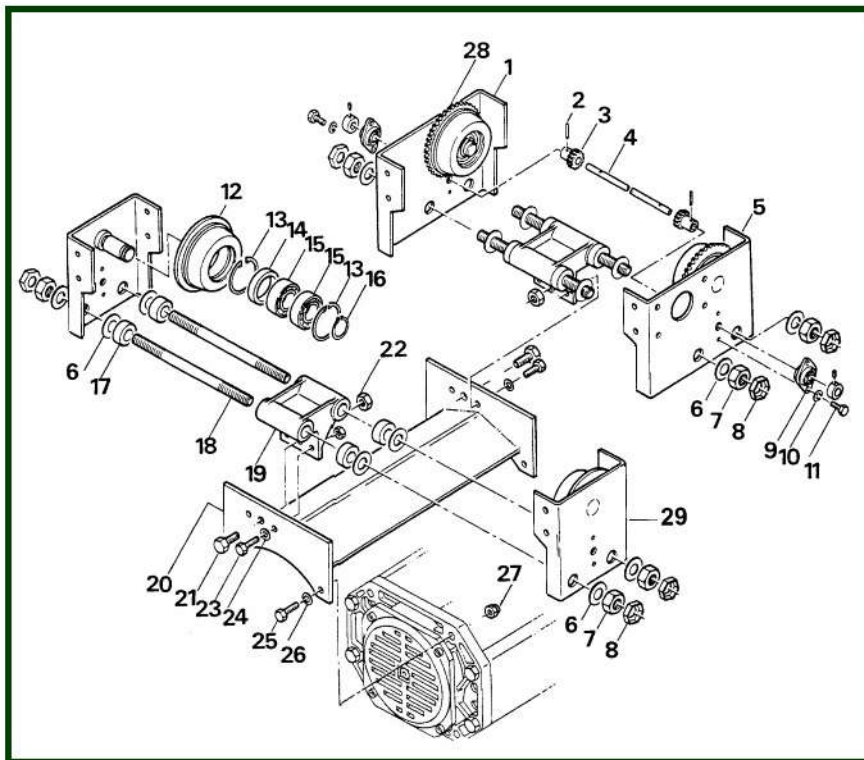
item	reference	description	observation	Quantity
1	7216403S	Screw		2
2	13417001	Retaining washer		1
3	7215412Q	Screw		2
4	13225001	Bottom block support piece		2
5	13433002	Seal		1
6	13203001	Bottom block cover set	05 - 14	1
7	13417002	Spacer collar		2
8	7410082N	Bearing		2
9	7261068R	Interior circlip		1
10	13417003	Spacer collar		1
11	13412001	Pulley		1
11bis	13203002	Pulley with bearings	7-8-9-10	1
12	13216001	Pulley axle		1
13	7221080A	HM nut (8)		2
14	13433001	Gasket		1
15	7211354D	Screw HM 6x20	Standard	4
16	7232060K	Washer M6	Standard	4
17	13234001	Bearing cover		1
18	13217001	Half ring	Standard	1
19	7431041U	Ball bearing	Standard	1
20	13231001	Hook support	Standard	1
21	13213001	Hook 0.5T	Standard	1
22	13233003	Forged Safety Latch number 0.5T		1
23	13201001	Complete hook block	2 brins / 2 falls	1

8) Hook block - 4 falls



item	reference	description	observation	Quantity
1	13416001	Pulley axle		1
2	13425001	Bottom block support piece		2
3	13203001	Bottom block cover set	05 - 14	2
4	13417002	Spacer collar		4
5	7410082N	Bearing		4
6	7261068R	Interior circlip		2
7	13417003	Spacer collar		2
8	13412001	Pulley		2
8bis	13203002	Pulley with bearings	7-8-9-10	2
9	13433002	Seal		2
10	13417001	Retaining washer		4
11	7216403S	Screw		8
12	13433001	Gasket		2
13	7216466U	Screw		4
14	13434001	Bearing cover		1
15	13417004	Two-part collar		1
16	7431052F	Thrust ball bearing		1
17	13431001	Bottom block cross-piece		1
18	13413001	Hook with safety latch		1
19	23233003	Safety latch N°1	RSN08	1
20	13401001	Complete hook block	4 brins / 4 falls	1

9) Standard headroom monorail trolley



item	reference	description	observation	Quantity
1	15001003	Ungeared side plate with wheel	Modèle 07/89	1
2	7273255N	Pin		2
3	15020001	Drive pinion	18 dents/teeth	2
4	15015005	Drive shaft	Lg 446 mm	1
4	15015001	Jackshaft	Lg 249	1
4	15015002	Jackshaft	Lg 296	1
4	15015004	Jackshaft	Lg 394	1
4	15015003	Return shaft	Lg 346mm Fer inférieur ou égal à 200mm / Width less or equal than 200mm	1
5	15001002	Geared side plate wheel	Modèle LS 07/89	1
6	7152411K	Washer	1 mm	8
6	7231241W	Washer	3 mm	56
7	7221240Z	Nut		8
8	7223240Y	PAL nut		8
9	7447101A	Bearing		2
10	7232060K	Washer M6	Standard	4
11	7211351A	Screw		4
12	15001004	Ungeared wheel complete without axle	Ø 100 - Model 89	2
12	15011001	Ungeared wheel only	Modèle / Model 07/89	2
13	7261055B	Interior circlip	Modèle / Model 07/89	8
14	15017001	Spacer collar	Modèle / Model 07/89 - Ep. / Th. 26 mm	4
15	7410065U	Bearing	Modèle / Model 07/89 - Ep. / Th. 49 mm	8
16	7262030L	External circlip	Ø 30	4
17	5432116Z	Spacer collar	ép. / th 26 mm	8
17	5432117A	Spacer collar	ép. / th 49 mm	8
18	5432101H	Spacer	Lg 280 - ø 24	4
18	5432102J	Spacer	Lg 375 - ø 24	4
18	5432103K	Spacer	Lg 410 - ø 24	4
18	5432107Q	Spacer	Lg 500 - ø 24	4
19	5532252T	Suspension plate		2
20	15031001	Crosshead adapter for 2/1 model		1
20	15031002	Crosshead adapter for 4/1 model		1

21	<u>7211908F</u>	Screw for crosshead	2/1 & 4/1 < 5 T	1
22	<u>7227200C</u>	NYLSTOP nut		2
23	<u>7211657H</u>	Screw		4
24	<u>7231122R</u>	Washer MU12		4
25	<u>7211812B</u>	Screw	2/1 & 4/1 < 5T	4
26	<u>7231162J</u>	Plate washer	Câble / Rope Ø 11 mm	4
27	<u>7227160J</u>	NYLSTOP nut	2/1 & 4/1 < 5T	4
28	<u>15001005</u>	Geared wheel complete without axle	Ø 100 - Model 89	2
28	<u>15011002</u>	Geared wheel only	Modèle / Model 07/89	2
29	<u>15001001</u>	Ungeared side plate with wheel	1/93	2

10) Reduced headroom trolley

item	reference	description	observation	Quantity
1	15001006	Idler frame with fittings		1
2	15025004	Driven frame plate with axles		1
2	15001007	Driven frame plate with fittings		1
2	15025003	Idler frame plate with axles		1
3	15018007	Spacer tube	Lg 315 mm	2
3	15018003	Tube	126 mm	2
3	15018004	Tube	160 mm	2
3	15018005	Tube	205 mm	2
3	15018005	Tube	205 mm	2
3	15018006	Tube	275 mm	2
4	5432101H	Spacer	Lg 280 - ø 24	2
4	5432102J	Spacer	Lg 375 - ø 24	2
4	5432103K	Spacer	Lg 410 - ø 24	2
4	5432107Q	Spacer	Lg 500 - ø 24	2
5	5432116Z	Spacer collar	ép. / th 26 mm	2
5	5432117A	Spacer collar	ép. / th 49 mm	2
6	7231241V	Adjustment washer	Ep. / Th 3 mm	14
6	7152411K	Washer	1 mm	4
6	7152421W	Washer	2 mm	4
7	7221240Z	Nut		4
8	7223240Y	PAL nut		4
9	15001004	Ungeared wheel complete without axle	Ø 100 - Model 89	2
9	15011001	Ungeared wheel only	Modèle / Model 07/89	2
10	15001005	Geared wheel complete without axle	Ø 100 - Model 89	2
10	15011002	Geared wheel only	Modèle / Model 07/89	2
11	7273255N	Pin		2
12	15020002	Counter pinion		2
12bis	15003002	Set of 2 pinions and 2 pins		1
13	15015005	Drive shaft	Lg 446 mm	1
13	15015001	Jackshaft	Lg 249	1
13	15015002	Jackshaft	Lg 296	1
13	15015004	Jackshaft	Lg 394	1
13	15015003	Return shaft	Lg 346mm Fer inférieur ou égal à 200mm / Width less or equal than 200mm	1
14	7262030L	External circlip	Ø 30	4
15	7261055B	Interior circlip	Modèle / Model 07/89	8
16	7410065U	Bearing	Modèle / Model 07/89 - Ep. / Th. 49 mm	8
17	15017001	Spacer collar	Modèle / Model 07/89 - Ep. / Th. 26 mm	4
18	7447101A	Bearing		2
19	7232060K	Washer M6	Standard	4
20	7211351A	Screw		4
21	11433002	Fixing lugs		2
22	15031003	Set of girders		1
23	15018002	Counterweight locking bar		2
24	11533001	Counterweight		2
25	15031004	Girder cross-piece		1
26	7211824Q	Screw		2
27	7232160U	Washer		2
28	7221160N	Nut		2
29	7211816F	Split pin		8
30	7231162J	Plate washer	Câble / Rope Ø 11 mm	8
31	7227160J	NYLSTOP nut	2/1 & 4/1 < 5T	8

11) Trolley 2/1 with or without load limiter

item	reference	description	observation	Quantity
1	<u>11233001</u>	Right hand fixed point support		1
2	<u>11215002</u>	Fixed point support rod		1
3	<u>7231201B</u>	Flat washer		2
4	<u>7271633Z</u>	Split pin 6.3 x 56		2
5	<u>7211808X</u>	Screw		4
6	<u>7232160U</u>	Washer		4
7	<u>7221160N</u>	Nut		4
8	<u>11233002</u>	Left hand fixed point support		1
9	<u>5231411S</u>	Anchor pin		1
10	<u>11224002</u>	Fixed point yoke		1
11	<u>7151213H</u>	Washer		1
12	<u>831653</u>	Pin		1
13	<u>7216656S</u>	Fixing screw		2
14	<u>7232120A</u>	Grower washer (12)		2
15	<u>7221120U</u>	HM nut 12		2
16	<u>11901005</u>	Load limiter without support		1
17	<u>7545111H</u>	Load limiter electrical contact	Avant fin/Before end 1991	1
18	<u>5231432Q</u>	Right-angled lever		1
19	<u>5231410R</u>	Rope anchorage		1
20	<u>5231431P</u>	Rope attachment cable	Uniquement limiteur	1
21	<u>8536224E</u>	Key cable	Ø 8.5 mm	1
-	<u>11901001</u>	Complete load limiter	2/1 HPR / LHT	1
-	<u>7545112J</u>	Switch	Avant fin/Before end 1991	1

12) Trolley 4/1 return pulley and fixe point

item	reference	description	observation	Quantity
1/8	<u>11233003</u>	Fixed point support		2
2	<u>11215003</u>	Fixed point spindle		1
3	<u>7231201B</u>	Flat washer		2
4	<u>7271633Z</u>	Split pin 6.3 x 56		2
5	<u>7211808X</u>	Screw		8
6	<u>7232160U</u>	Washer		8
7	<u>7221160N</u>	Nut		8
9	<u>5231411S</u>	Anchor pin		1
10	<u>11224002</u>	Fixed point yoke		1
11	<u>7151213H</u>	Washer		1
12	<u>831653</u>	Pin		1
13	<u>7216656S</u>	Fixing screw		2
14	<u>7232120A</u>	Grower washer (12)		2
15	<u>7221120U</u>	HM nut 12		2
16	<u>11901006</u>	Load limiter mechanism plate		1
17	<u>7545111H</u>	Load limiter electrical contact	Avant fin/Before end 1991	1
18	<u>5231432Q</u>	Right-angled lever		1
19	<u>5231410R</u>	Rope anchorage		1
20	<u>5231431P</u>	Rope attachment cable	Uniquement limiteur	1
21	<u>8536224E</u>	Key cable	Ø 8.5 mm	1
22	<u>11333001</u>	Return pulley support		2
23	<u>11324003</u>	Return pulley yoke		1
24	<u>13203002</u>	Pulley with bearings	7-8-9-10	1
24bis	<u>11316001</u>	Pulley spindle		1
25	<u>7262040X</u>	Exterior circlip		1
26	<u>11333002</u>	Rope guide		1
-	<u>11901003</u>	Complete load limiter	4/1 HPR / LHT	1

13) Crab frame

item	reference	description	observation	Quantity
1	25580043	Motor drive	415V - 16/4 m/mn	1
1	25580023	Motor drive	220V - 16/4 m/mn	1
1	25580021	Motor drive	220V - 20/5 m/mn	1
1	25580022	Motor drive	220V - 25/6 m/mn	1
1	25580003	Motor drive	380V - 16/4 m/mn	1
1	25580001	Motor drive	380V - 20/5 m/mn	1
1	25580002	Motor drive	380V - 25/6 m/mn	1
1	25580004	Motor drive	380V - 32/8 m/mn	1
1	25580041	Motor drive	415V - 20/5 m/mn	1
1	25580042	Motor drive	415V - 25/6 m/mn	1
1	25580044	Motor drive	415V - 32/8 m/mn	1
2	721555V	BTR screw 10 x 25		4
3	7211556Y	Screw		12
4	7231102U	Washer		12
5	15511002	Bearing housing nearest motor		2
6	15511003	Bearing housing furthest from motor		2
7	7412072A	Complete bearing	VP9-VS302	8
8	15503001	Driving wheel set - ø 90 -G50	VS302..F - VS402 A partir / Since 1999	2
9	15503005	Driving wheel set - ø 90 - G65	VS302..F - VS402 A partir / Since 1999	2
10	7262035S	Circlip - Ø 35		4
11	15517002	Stepped collar		4
12	7235959Y	Washer		4
15	15503006	Travel wheel set ø 90 - G65	VS202/VP9 - VS302..F - VS402 A partir / Since 1999	2
15	15503003	Travel wheel set - ø 90 - G50	VS202/VP9 - VS302..F - VS402 A partir / Since 1999	2
16	15515001	Travel wheel idler axle		2
17	7910802Y	Rubber buffer	Ø 80	4
18	7273558S	Pin		4
19	7211812B	Screw	2/1 & 4/1 < 5T	8
20	7232160U	Washer		8
21	7221160N	Nut		8
22	15520001	Drive shaft	0.9m	1
22	15520002	Drive shaft	1.4m	1
22	15520003	Drive shaft	2m	1
22	15520006	Drive shaft - Exterior motor	2m	1
22	15520004	Set of drive shaft 900 exterior motor		1
22	15520005	Set of drive shaft 1400 exterior motor		1
	15503002	Bearling-flange set	VP9-VS302	1

14) Electrical equipment

item	reference	description	observation	Quantity
-	7366403C	2 speeds contact element	XENG1191	1
-	7632422L	Box casing with clamp 2 buttons	XAC A02	1
-	7532027L	Brake contactor 400V/48V - LC1D09E7	Moteur / Motor P4-P5-P6-P7-P8-P9 - AK7	1
-	7661915U	Bull dog grip SIMPLEX		1
-	7632412A	Buttons with black gummi	XAC A9412	1
-	7632413B	Buttons with red gummi	XAC A9414	1
-	7641109D	Cable gland (9)	Câble rond	1
-	7641111F	Cable gland (11)	Câble rond	1
-	7641113H	Cable gland (13)	Câble rond	1
-	7641116L	Cable gland (16)	Câble rond	1
-	7642029D	Cable gland (21)	1 câble plat 4x2.5 ²	1
-	7642129N	Cable gland (29)	1 câble plat 4x6 ²	1
-	7642229W	Cable gland (29)	1 câble plat 8x1.5 ²	1
-	7642329E	Cable gland (29)	2 câbles plats 4x6 ²	1
-	7642429P	Cable gland (29)	2 câbles plats 8x1.5 ²	1
-	7641129A	Cable gland (29)	Câble rond	1
-	7642536E	Cable gland (36)	1 câble plat 4x16 ²	1
-	7642236D	Cable gland (36)	1 câble plat 12x1,5 ²	1
-	7641136H	Cable gland (36)	Câble rond	1
-	7642648B	Cable gland (48)	1 câble plat 4x25 ²	1
-	7648109N	Cap nut (9)		1
-	7648111Q	Cap nut (11)		1
-	7648113S	Cap nut (13)		1
-	7648116V	Cap nut (16)		1
-	7648121A	Cap nut (21)		1
-	7648129J	Cap nut (29)		1
-	7648136S	Cap nut (36)		1
-	8812052T	Control cable	5x1.5mm ²	1
-	8812152B	Control cable	16x1,5 mm ²	1
-	7581715V	Earth MS4/6		1
-	7581719Z	Earth MS6/8P		1
-	7575300X	Fuse 1A		1
-	7576410D	Fuse 10AM		1
-	7573751P	Fuse carrier GK1EV		1
-	7573242K	Fuse support	BC31	1
-	7578011U	Fuse support	GB2CD06	1
-	7641121S	Gland 21	Câble rond	1
-	7581725F	Gland diam :30		1
-	7531021T	Interlocked contactor	LC2D099E	1
-	7531023V	Interlocked contactor	LC2EC09E	1
-	7634431V	Label - Off	ZB2BY2931	1
-	7532220W	Main contactor - 400V/48V - LC1D18E7	Moteur / Motor P2-P3 - O-K1	1
-	16126001	Mounting plate for electrical equipment		1
-	7633401A	One step control part low voltage control with 1 « F » contact	ZB2 BE101	1
-	7633402B	One step control part low voltage control with 1 « O » contact	ZB2 BE102	1
-	8812202F	Pendant cable without green / yellow	20x1,5 mm ²	1
-	7521111W	Rectifier	Frein / Brake 24V	1
-	7535214A	Relay	LT25A30E	1
-	7535414T	Relay FINDER	48V	1
-	7531220J	Reversing contactor - 690V/48V - LC2D18E7	Moteur / Motor P4 - AK1-AK2	1
-	7632401P	Rubber protection cover	XAC A960	1
-	7634416D	Sticker backward	ZB2BY2916	1
-	7634417E	Sticker backward high speed	ZB2BY2917	1

-	7634418F	Sticker backward slow speed-high speed	ZB2BY2918	1
-	7634404R	Sticker down	ZB2BY2904	1
-	7634405S	Sticker down high speed	ZB2BY2905	1
-	7634406T	Sticker down slow speed-high speed	ZB2BY2906	1
-	7634413A	Sticker forward	ZB2BY4913	1
-	7634414B	Sticker forward high speed	ZB2BY4914	1
-	7634415C	Sticker forward slow speed-high speed	ZB2BY4915	1
-	7634410X	Sticker left	ZB2BY2910	1
-	7634411Y	Sticker left high speed	ZB2BY2911	1
-	7634412Z	Sticker left slow and high speed	ZB2BY2912	1
-	7634430U	Sticker ON	ZB2BY4930	1
-	7634435Z	Sticker ON-ALARM	ZB2BY4935	1
-	7634407U	Sticker right	ZB2BY4907	1
-	7634408V	Sticker right high speed	ZB2BY4908	1
-	7634409W	Sticker right slow speed-high speed	ZB2BY4909	1
-	7634401N	Sticker UP	ZB2BY4901	1
-	7634402P	Sticker UP high speed	ZB2BY4902	1
-	7634403Q	Sticker UP slow speed-high speed	ZB2BY4903	1
-	16126002	Support bracket FINDER		1
-	7512032C	Transformer 40VA	220/48V	1
-	7512332D	Transformer 40VA	380-420-500/48V	1
-	7512532W	Transformer 40VA	440-460-480/42-48V	1
-	7532122Q	Two speeds selection contactor	LC1D128E	1
-	7532324J	Two speeds selection contactor	LC1D258E	1
-	7532021E	Two speeds selection contactor	LC1EC08E	1