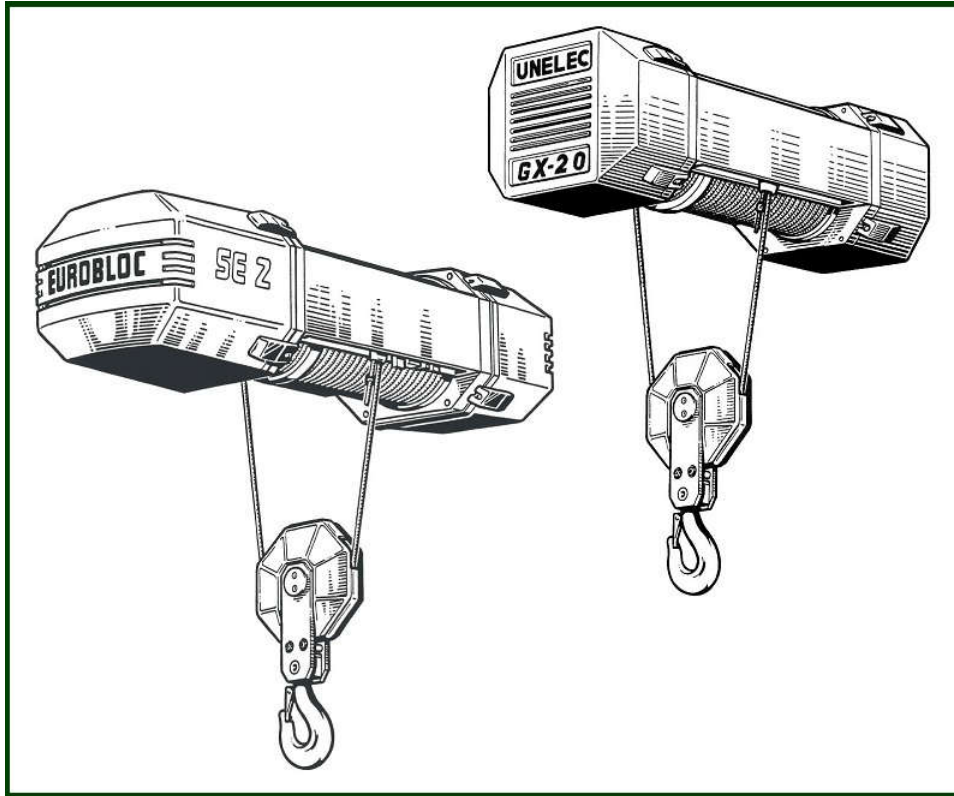


Spare parts catalog for "SE2 - GX20"

To avoid errors, when ordering please specify:

- Complete type of hoist
- Date of manufacture and serial number
- Spare part code
- Spare part designation
- Additional information



1) SUB-ASSEMBLIES

- 1.1) SE
- 1.2) GX

2) NHT TROLLEY 2/1-4/1 - POSITION OF RETURN PULLEY FIXED POINT WITH OR WITHOUT LOAD LIMITER

3) LHT TROLLEY 2/1-4/1 - POSITION OF RETURN PULLEY AND FIXED POINT WITH OR WITHOUT LOAD LIMITER

4) DRUM - ROPE GUIDE - LIMIT SWITCH - ROPE

4.1) Precut rope

5) HOIST GEARBOX

6) HOISTING MOTOR

6.1) Autre

7) MICRO-SPEED

8) HOOK - 1 FALL

9) HOOK - 2 FALLS

10) HOOK - 4 FALLS

11) NHT MONORAIL TROLLEY

12) LHT TROLLEY

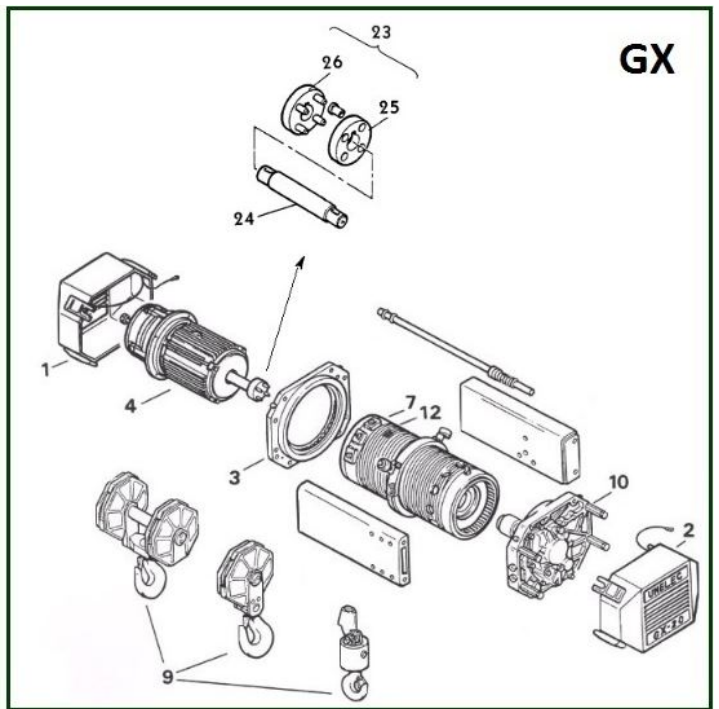
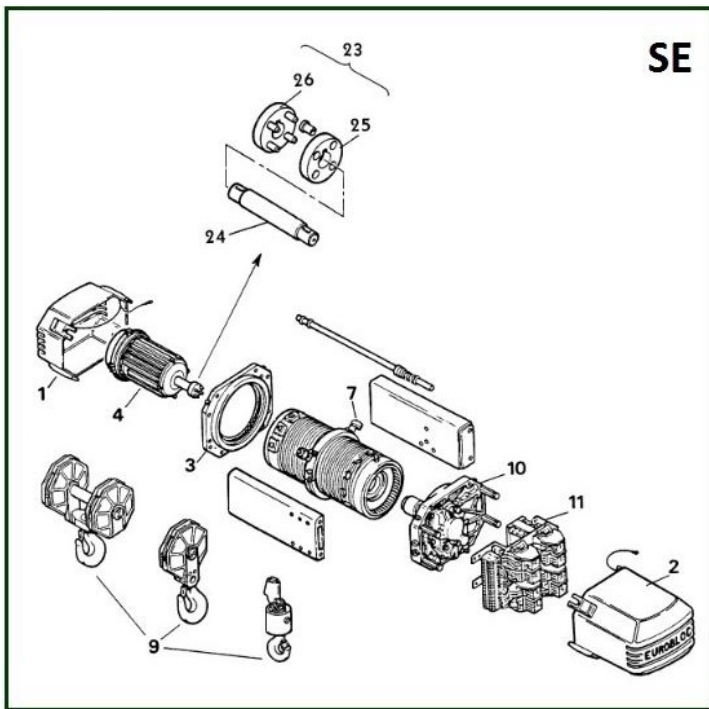
13) CRAB FRAME WITH CARRIAGES VP09 2&4 BRINS<5T

14) CRAB FRAME - 4 FALLS - 6,3 T

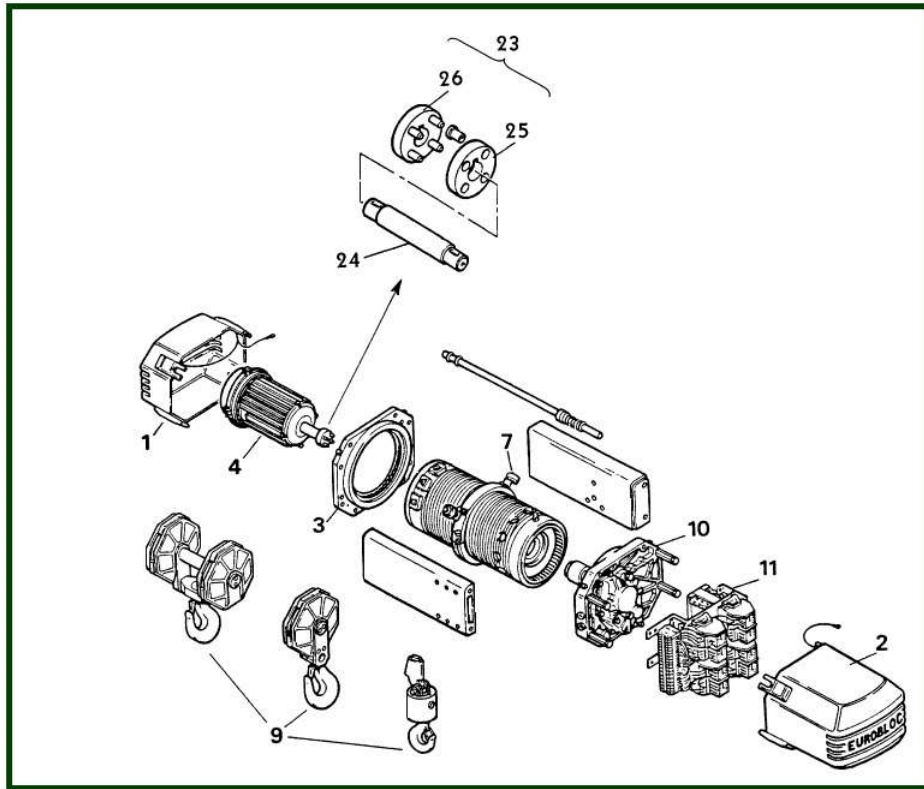
15) CRAB FRAME - 6,3T

16) ELECTRIC EQUIPMENT

1) Sub-assemblies

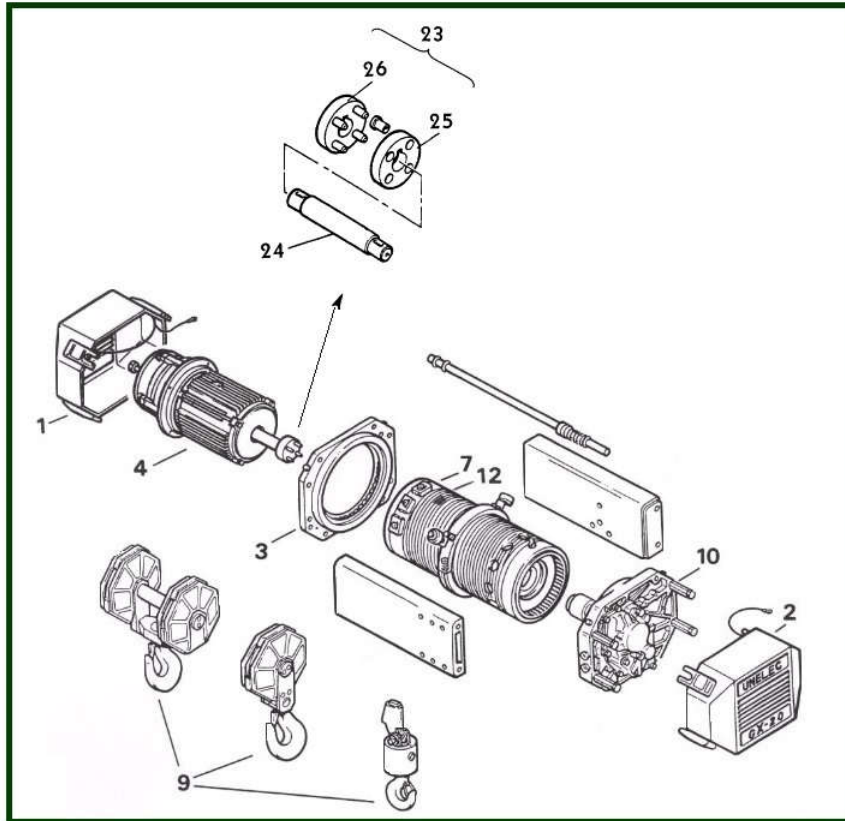


1.1) SE



item	reference	description	observation	Quantity
1	28533003	Micro speed housing		1
1	28533001	Motor housing		1
2	28533002	Gearbox housing		1
3	21125002	Motor and connecting flange		1
4	28001124	Hoist motor - 1 speed	4,5Kw - 415V	1
4	28001074	Hoist motor - 1 speed	4.5 Kw - 220/380V	1
4	28002014	Hoist motor - 2 speeds	4,5/1,5Kw - 220V	1
4	28002054	Hoist motor - 2 speeds	4,5/1,5 Kw - 380V	1
4	28002124	Hoist motor - 2 speeds	4,5/1,5 Kw - 415V	1
7	22301003	Complete rope guide - 8mm	Pas de 9 - Droite/Right	1
7	22301004	Complete rope guide - 8mm	Pas de 9 - Gauche/left	1
7	22301001	Complete rope guide - 10mm	Pas de 11,3 - Droite/Right	1
7	22301002	Complete rope guide - 10mm	Pas de 11,3 - Gauche/Left	1
9	23201001	Complete bottom block	2 brins / 2 falls	1
9	23401001	Complete bottom block	4 brins / 4 falls	1
9	5233610G	Hook with safety catch		1
10	24001002	Complete hoist gearbox	16m/mn	1
10	24001001	Complete hoist gearbox	20m/mn	1
11	Chap. 16	Switch gear		1
23	22401001	Complete coupling	25+ 26	1
23	22401002	Complete shaft long	24+25+26	1
23	22401003	Complete shaft super long	24+25+26	1
24	22415001	Shaft long typ		1
24	22415002	Shaft super long		1
25	22417002	Coupling female		1
26	22417001	Coupling male		1
-	7791300E	Cover seal		1
-	18533007	Fixing part for hoist covers		1
=	28101001	Micro-speed	0,75 Kw - 220/380V	1
=	28103070	Motor micro-speed	0,75 Kw - 220/380V	1
=	28103120	Motor micro-speed	0,75Kw - 415V	1

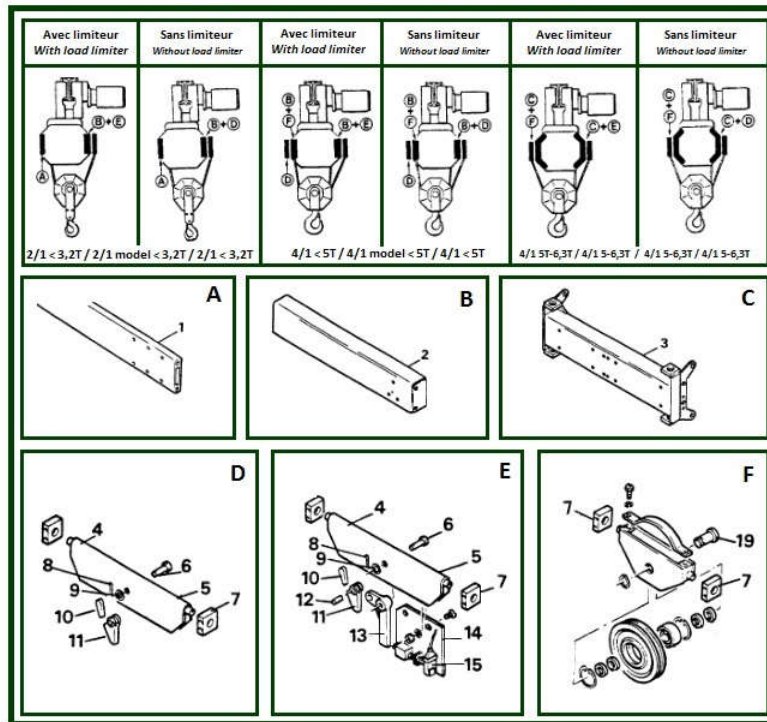
1.2) GX



item	reference	description	observation	Quantity
1	342028533004	Motor housing		1
2	342028533005	Gearbox housing		1
3	21125002	Motor and connecting flange		1
4	34207344241W	Single speed hoist motor	4,5Kw - 220-380-415V - LS100 FCO	1
4	34207346541W	Two speed hoist motor	4,5/1,5Kw - 220-380-415V - LS132 FCO	1
7	22301003	Complete rope guide - 8mm	Pas de 9 - Droite/Right	1
7	22301004	Complete rope guide - 8mm	Pas de 9 - Gauche/left	1
7	22301001	Complete rope guide - 10mm	Pas de 11,3 - Droite/Right	1
7	22301002	Complete rope guide - 10mm	Pas de 11,3 - Gauche/Left	1
9	23201001	Complete bottom block	2 brins / 2 falls	1
9	23401001	Complete bottom block	4 brins / 4 falls	1
9	5233610G	Hook with safety catch		1
10	24001002	Complete hoist gearbox	16m/mn	1
10	24001001	Complete hoist gearbox	20m/mn	1
11	Chap_16	Switch gear		1
23	22401001	Complete coupling	25+ 26	1
23	22401002	Complete shaft long	24+25+26	1
23	22401003	Complete shaft super long	24+25+26	1
24	22415001	Shaft long typ		1
24	22415002	Shaft super long		1
25	22417002	Coupling female		1
26	22417001	Coupling male		1
-	18533007	Fixing part for hoist covers		1
=	NC MMV2	Micro-speed motor	0,75Kw - 220/380V	1
=	NC MMV4	Micro-speed motor	0,75Kw - 415V	1

2) NHT trolley 2/1-4/1 - Position of returne pulley fixed point with or without load limiter

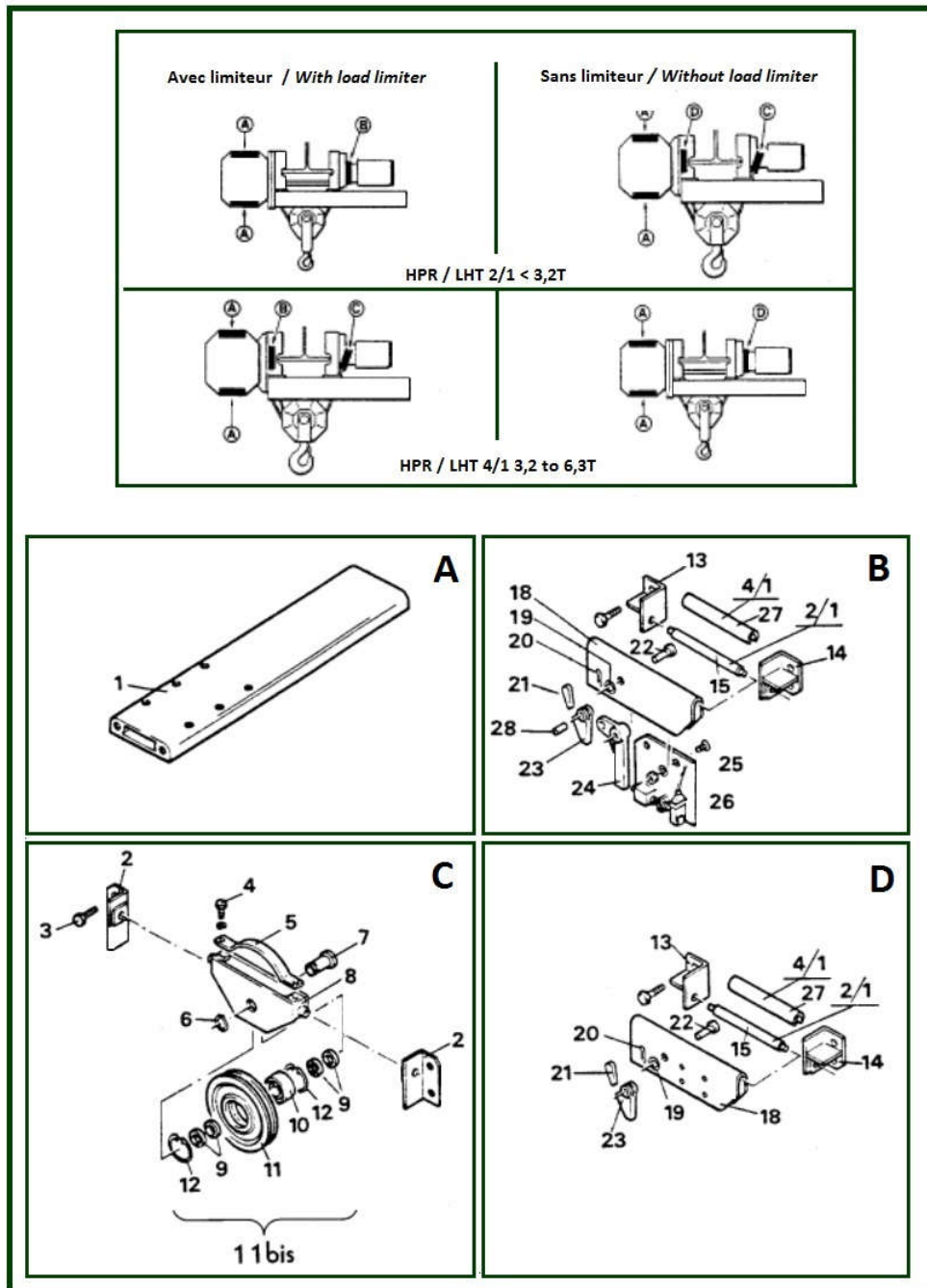
Hauteur Perdue Normale / Normal Headroom Trolley



item	reference	description	observation	Quantity
1	21133001	Frame side-plate type Alu. - Lg 444	Normal - 2/1	1
1	21133002	Frame side-plate type Alu. - Lg 662	Long - 2/1	1
1	21133003	Frame side-plate type Alu. - Lg 879	Super long 2/1	1
2	21124002	Framing screed	Long - 2/1	1
2	21124001	Framing screed	Normal - 2/1	1
2	21124003	Framing screed	Super long 2/1	1
3	21124005	Framing screed	Long 4/1 - 6,3T	1
3	21124006	Framing screed	Super long 4/1 6,3T	1
4	21224002	Fixed framing screed	Long/Super Long 2/1 < 3,2T – Long 4/1 < 5T	1
4	21224003	Fixed framing screed	Long/Super Long 4/1 - 5T et 6,3T	1
4	21224001	Fixed framing screed	Normal 2/1 < 3,2T – N 4/1 < 5T	1
5	21216002	Fixed point axle	Long/Super Long 2/1 – Long 4/1 < 5T	1
5	21216009	Fixed point axle	Long/Super Long 4/1 < 5T & Long/Super Long 4/1 - 5 & 6,3T	1
5	21216001	Fixed point axle	Normal/Long 2/1 - Normal 4/1 < 5T	1
6	5251411F	Fixed point axle	D & DA - Ø 11 mm	1
7	21233002	Supporting plate NHT	Long 6,3T - Super Long 5T	1
7	21233001	Supporting plate NHT	Long / Super Long 2/1 5T	1
8	7271405B	Split pins	Câble / Rope Ø 11 mm	1
9	7231162J	Plate washer	Câble / Rope Ø 11 mm	1
10	8536225F	Rope attachment	D & DA - Ø 11 mm	1
11	8536125X	Rope wedge	Câble / Rope Ø 11 mm - D & DA	1
12	5251431C	Rope attachment axle N-L		1
13	5251432D	Right-angled lever N-L	D & DA - Ø 11 mm	1
14	21901003	Load limiter mechanism plate	HPN/HPR - 14+15	1
15	7545111H	Load limiter electrical contact	Avant fin/Before end 1991	1
15	7545112J	Switch	Avant fin/Before end 1991	1
F	21301004	Equipped return	HPN/HPR	1

3) LHT trolley 2/1-4/1 - Position of return pulley and fixed point with or without load limiter

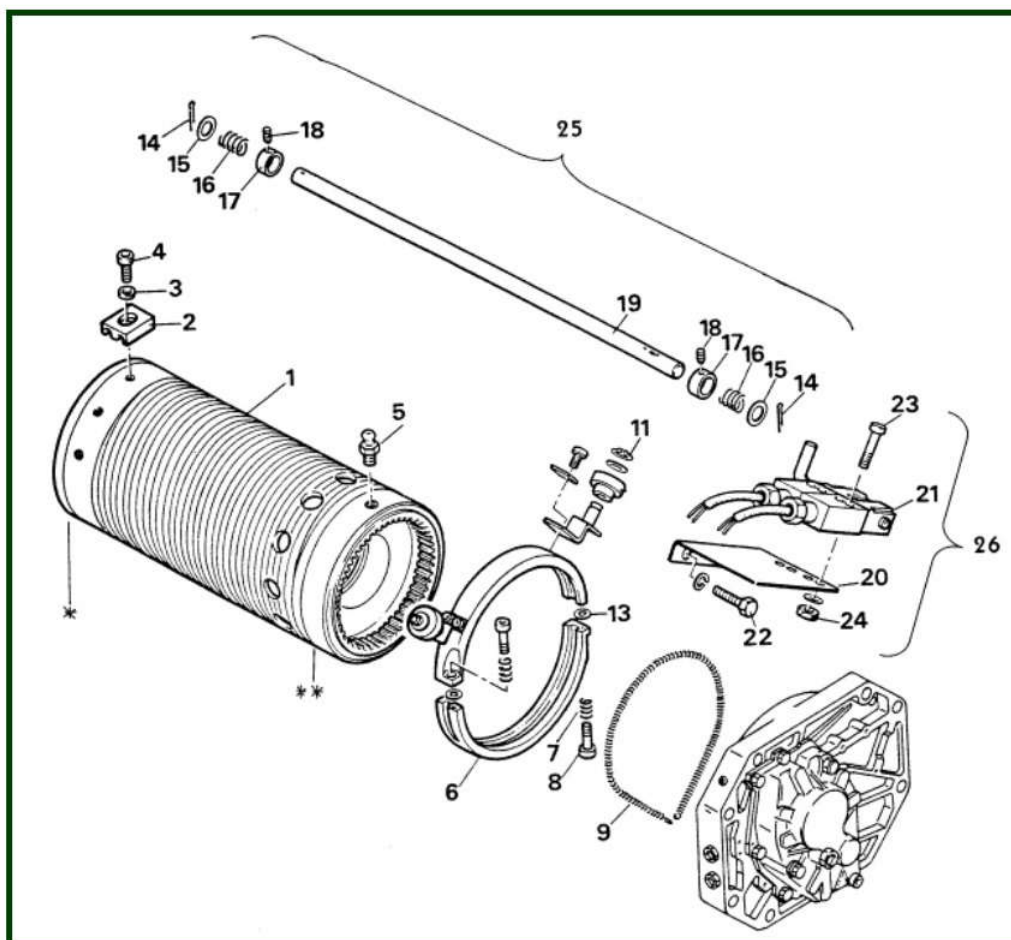
Hauteur Perdue Réduite / Low Headroom Trolley



item	reference	description	observation	Quantity
1	21133001	Frame side-plate type Alu. - Lg 444	Normal - 2/1	2
1	21133002	Frame side-plate type Alu. - Lg 662	Long - 2/1	2
1	21133003	Frame side-plate type Alu. - Lg 879	Super long 2/1	2
2	21333002	Right-angle support		2
3	7211908F	Screw for crosshead	2/1 & 4/1 < 5 T	4
4	7211453L	Screw HM 8x16		2
5	21333001	Hoop-piece		1
6	7262040X	Exterior circlip		1
7	21316001	Pulley axle		1
8	21324001	Return pulley yoke		1
8bis	21301004	Equipped return	HPN/HPR	1
9	23417002	Spacer collar		4

10	<u>7413082Y</u>	Bearing	VP11 - VS304	1
11	<u>23412001</u>	Pulley		1
11bis	<u>21303002</u>	Return equipped pulley	HPN/HPR	1
12	<u>7261090Q</u>	Interior circlip		2
13	<u>21233004</u>	Left-hand support		1
14	<u>21233003</u>	Right-hand support		1
15	<u>21216003</u>	Fixed point spacer		1
18	<u>21224004</u>	Fixed framing screed	2/1	1
18	<u>21224005</u>	Fixed framing screed	4/1	1
19	<u>7231162J</u>	Plate washer	Câble / Rope Ø 11 mm	1
20	<u>831656</u>	Split pin		1
21	<u>8536125X</u>	Rope wedge	Câble / Rope Ø 11 mm - D & DA	1
22	<u>5251411F</u>	Fixed point axle	D & DA - Ø 11 mm	1
23	<u>8536225F</u>	Rope attachment	D & DA - Ø 11 mm	1
24	<u>5251432D</u>	Right-angled lever N-L	D & DA - Ø 11 mm	1
25	<u>21901003</u>	Load limiter mechanism plate	HPN/HPR - 14+15	1
26	<u>7545111H</u>	Load limiter electrical contact	Avant fin/Before end 1991	1
27	<u>21215001</u>	Nylon supporting sleeve	42739	1
28	<u>5251431C</u>	Rope attachment axle N-L		1
-	<u>7545112J</u>	Switch	Avant fin/Before end 1991	1

4) Drum - Rope Guide - Limit switch - Rope

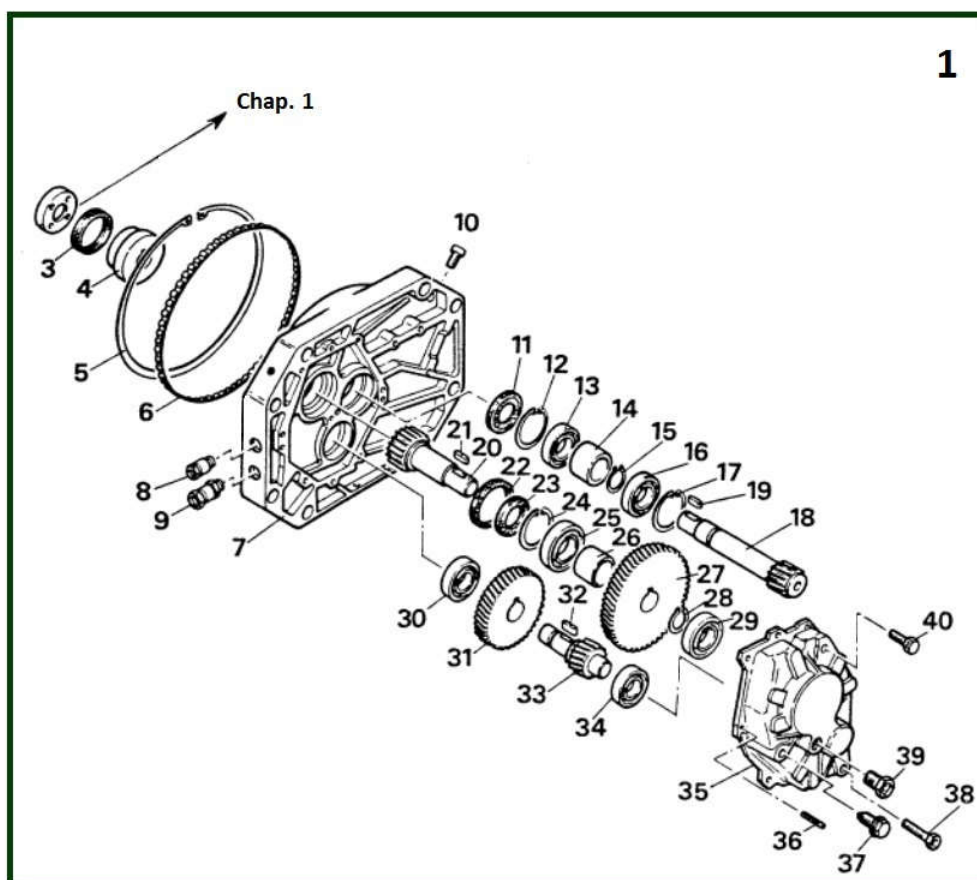


item	reference	description	observation	Quantity
1	22135002	Complete drum - 10mm	Droite/Right - Long - Lg 658 mm	1
1	22135001	Complete drum - 10mm	Droite/Right - Normal - Lg 440mm	1
1	22135003	Complete drum - 10mm	Droite/Right - Super Long - Lg 875mm	1
1	22135008	Drum	Long - 2 filets pas de 9	1
1	22135007	Drum	Normal - 2 filets pas de 9	1
1	22135009	Drum	Super Long - 2 filets pas de 9	1
2	12133001	Rope anchor on drum	VS2-VS4	3
3	7232100D	Narrow Grower washer -10mm	DIN12	3
4	7215504Q	CHC screw	M10X20 ZN DIN912	1
5	7491284A	Lubrificator nipple		1
6	22301003	Complete rope guide - 8mm	Pas de 9 - Droite/Right	1
6	22301004	Complete rope guide - 8mm	Pas de 9 - Gauche/left	1
6	22301001	Complete rope guide - 10mm	Pas de 11,3 - Droite/Right	1
6	22301002	Complete rope guide - 10mm	Pas de 11,3 - Gauche/Left	1
7	12332001	Pressure spring	VS1-VS2	2
8	7215309C	Screw for pressure spring	CHC M6X44	2
9	22332002	Pressure ring spring		1
11	22301010	Complete rope guide	-	4
21	12503001	Limit switch without support		1
25	7541412N	Limit switch contact - Top		1
25	22503002	Limit switch operating rod assembly	Long - Lg 802mm - 14+15+16+17+18+19	1
25	22503001	Limit switch operating rod assembly	Normal - Lg 587mm - 14+15+16+17+18+19	1
25	22503003	Limit switch operating rod assembly	Super Long - Lg 1017mm - 14+15+16+17+18+19	1
26	12502002	Limit switch contact assembly+support	20-21-22-23-24	1
	22133003	Drump thrust gear		1
	22133002	Drump thrust motor		1
	7312136D	No rotating steel wire rope - ø 10	Le mètre	1
	7322035J	Preformed steel wire rope - ø 10,5	Le mètre	1
	7333100L	Rope clip - ø 10		1

4.1) Precut rope

item	reference	description	observation	Quantity
	<u>22201001</u>	No rotating wire rope - ø 10,5	Lg 20,5m - Normal - 1/1	1
	<u>22201004</u>	No rotating wire rope - ø 10,5	Lg 21,5m - Normal - 2/1	1
	<u>22201002</u>	No rotating wire rope - ø 10,5	Lg 36,5m - Long - 1/1	1
	<u>22201005</u>	No rotating wire rope - ø 10,5	Lg 37,5m - Long - 2/1	1
	<u>22201003</u>	No rotating wire rope - ø 10,5	Lg 52,5m - Super Long - 1/1	1
	<u>22201006</u>	No rotating wire rope - ø 10,5	Lg 53,5m - Super Long - 2/1	1
	<u>53060106</u>	Preformed steel wire rope - ø 10,5	Lg 6,5m - 8X19-B-RHO-98.50	1
	<u>22201007</u>	Preformed steel wire rope - ø 10,5	Lg 23m - Normal - 4/1	1
	<u>22201008</u>	Preformed steel wire rope - ø 10,5	Lg 39m - Long - 4/1	1
	<u>22201009</u>	Preformed steel wire rope - ø 10,5	Lg 55m - Super Long - 4/1	1

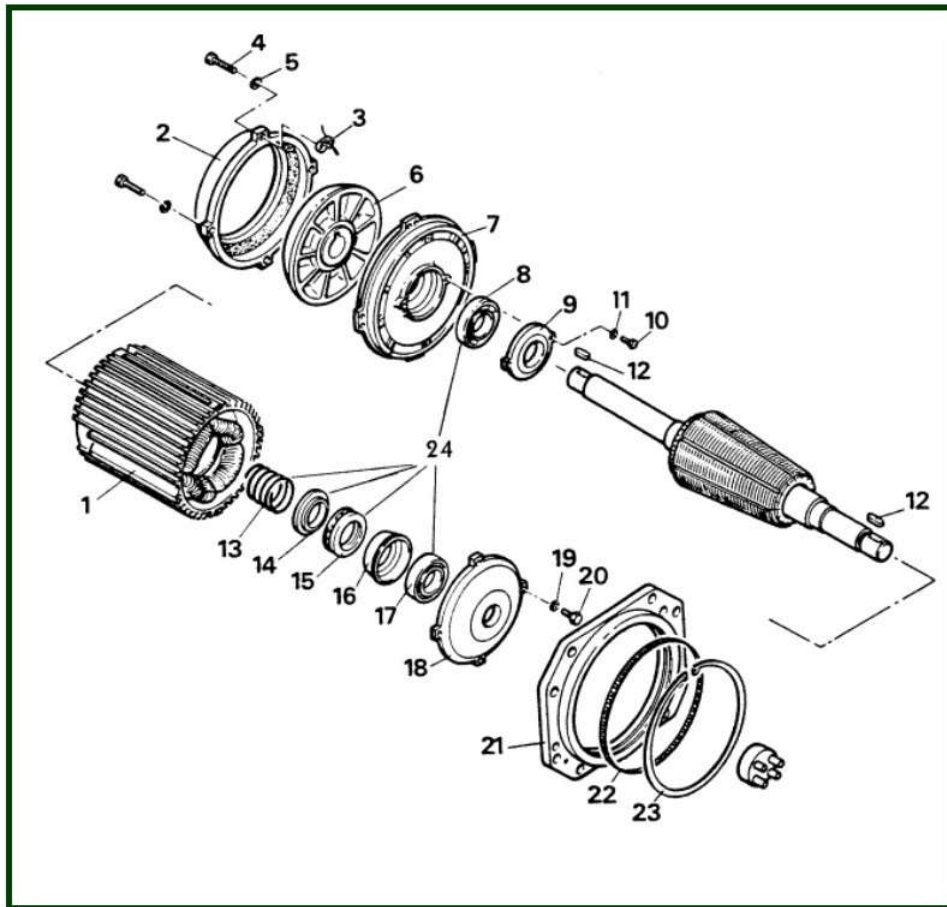
5) Hoist gearbox



item	reference	description	observation	Quantity
1	24001002	Complete hoist gearbox	16m/mn	1
1	24001001	Complete hoist gearbox	20m/mn	1
3	1431	Seal V80	V80S	1
4	24017003	Collar		1
5	21117001	Interior circlip		1
6	21111001	Bearing		1
7	21125001	Gearbox end-plate		1
8	7643121R	Gland		1
9	7641121S	Gland 21	Câble rond	1
10	NC GRA	Lubricating nipple		1
11	1432	Seal	DIN 3760 25X52X7	1
12 & 17	7261052Y	Internal circlip	Ø 52	1
13	7412050B	Bearing	A, B, D, E	1
15	7262025F	Exterior circlip	Ø 25	1
16	7425050G	Bearing		1
18	24020001	Pinion axle -14 teeth		1
19	7282064N	Key		1
20	24020005	Pinion axle - 18 teeth		1
21	7282102D	Key		1
22	1422	Seal	65X80X8	1
23	24017002	Spacer collar		1
24	7261080D	Internal circlip - Ø 80		1
25	7425080Q	Bearing		1
26	24017001	Spacer collar		1
27	24019003	Geared wheel 60 teeth	16 or 8 or 4 m/mn	1
27	24019002	Geared wheel 58 teeth	20 or 10 or 5m/mn	1
28	7262040X	Exterior circlip		1
29	7413070K	Bearing		1

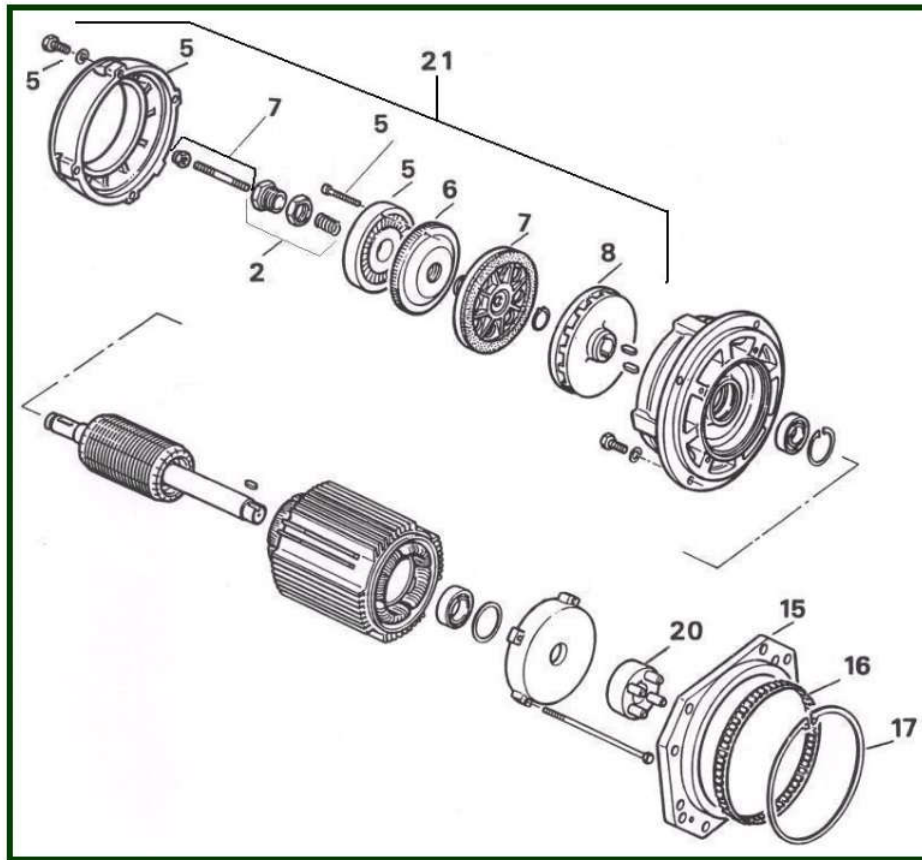
30	<u>7412045W</u>	Bearing		1
31	<u>24019001</u>	Gear wheel - 56 teeth		1
32	<u>7282081F</u>	Key	Jusqu'en déc. 90 / until december 90	1
33	<u>24020003</u>	Pinion axle - 14 teeth	16 or 8 or 4 m/mn	1
33	<u>24020002</u>	Pinion axle - 16 teeth	20 or 10 or 5 m/mn	1
34	<u>7418040N</u>	Bearing		1
35	<u>1402</u>	Cover-plate seal		1
35	<u>24014001</u>	Gearbox cover-plate		1
36	<u>NC GOU</u>	Pin		1
37	<u>7215455L</u>	CHC screw 8 x 25	25 x 25	1
38	<u>NC BM</u>	Magnetized plug		1
39	<u>NC BNH1</u>	Oil-level plug 1/8		1
39	<u>NC BNH3</u>	Oil-level plug 3/8		1
40	<u>NC BV</u>	Breather plug		1

6) Hoisting motor



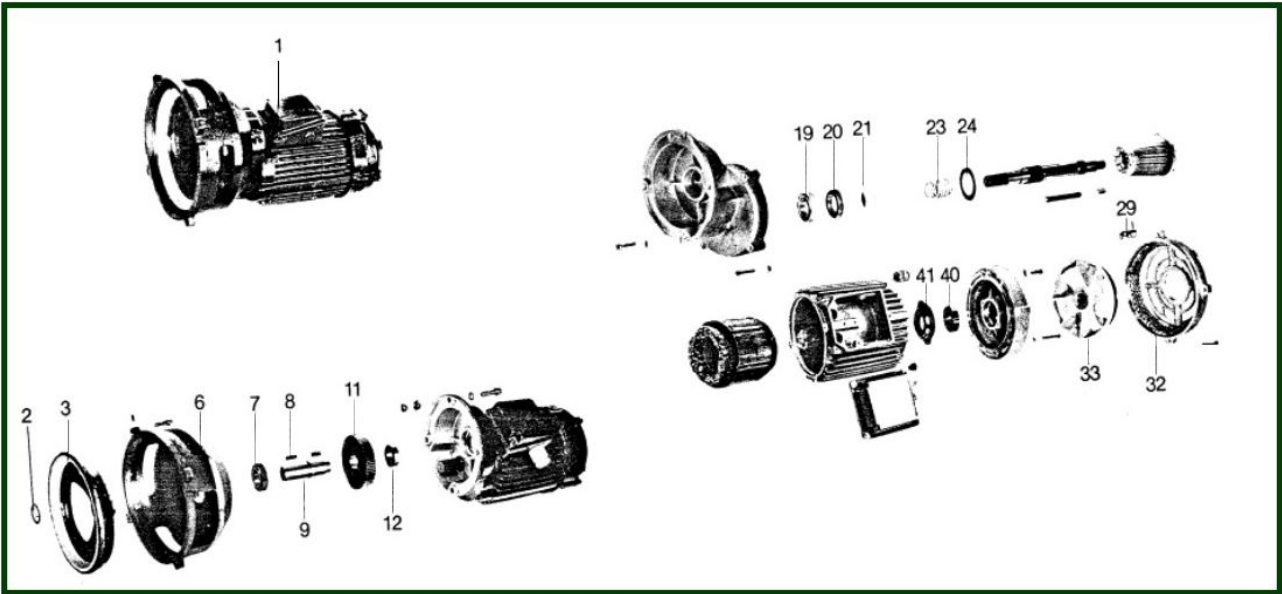
item	reference	description	observation	Quantity
1	28001124	Hoist motor - 1 speed	4,5Kw - 415V	1
1	28001074	Hoist motor - 1 speed	4.5 Kw - 220/380V	1
1	28002014	Hoist motor - 2 speeds	4,5/1,5Kw - 220V	1
1	28002054	Hoist motor - 2 speeds	4,5/1,5 Kw - 380V	1
1	28002124	Hoist motor - 2 speeds	4,5/1,5 Kw - 415V	1
2	28023001	Brake end cap with brake lining		1
3	28023002	Adjustment shims	-	1
4	7211458S	Screw 8 x 40		4
6	28023003	Brake cone	-	1
6	28023004	Brake cone NITROC	-	1
7	28022002	Brake end plate 2 speeds	2 vitesses / 2 speeds	1
7	28022001	Brake end-plate	1 vitesse / 1 speed	1
9	28022003	Bearing	-	1
11	7232060K	Washer M6	Standard	2
12	7282081E	Key	Jusqu'en déc. 90 / until december 90	2
16	28022005	Bearing	-	1
18	28022006	Coupling end-plate	1 vitesse / 1 speed	1
18	28022007	Coupling end-plate	2 vitesses / 2 speeds	1
19	7232080G	GROWER washer - Ø 8		4
20	7211456Q	Screw	-	4
21	21125002	Motor and connecting flange		1
22	21111001	Bearing		1
23	21117001	Interior circlip		1
24	28003001	Repair kit	8+13+14+15+17	1
-	21101001	Motor flange equipped	-	1

6.1) Autre



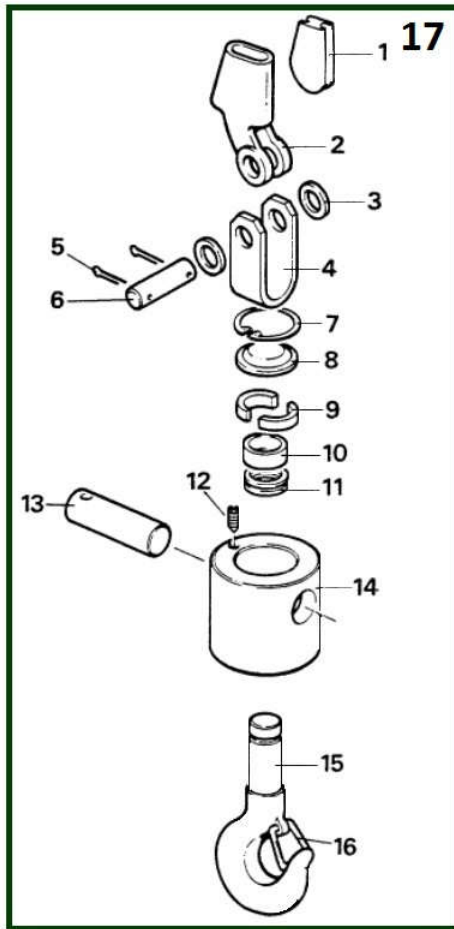
item	reference	description	observation	Quantity
2	342028223008	Brake torque adjustment set - Brake FCM 112	25+26+28+29	1
5	342028223005	Coil set - Brake FCM 112	9+24+31+32	1
6	342028223004	Frame LS100FCO - Brake FCO	Moteur 3141061500RD	1
7	342028223002	Brake set - Brake FCM 112	12+25+27	1
8	342028223003	Brake disc - Brake FCO	15+17+19	1
15	21125002	Motor and connecting flange		1
16	21111001	Bearing		1
17	21117001	Interior circlip		1
20	342022417001	Male coupling	Monovitesse	1
21	342028203001	Brake complete kit		1
-	34207344241W	Single speed hoist motor	4,5Kw - 220-380-415V - LS100 FCO	1
-	34207346541W	Two speed hoist motor	4,5/1,5Kw - 220-380-415V - LS132 FCO	1
=	342018203002	Complete brake 20V - Brake FCO	9+11+12+15+17+19+21+24+25+26+27+28+29+31+32	1

7) Micro-speed



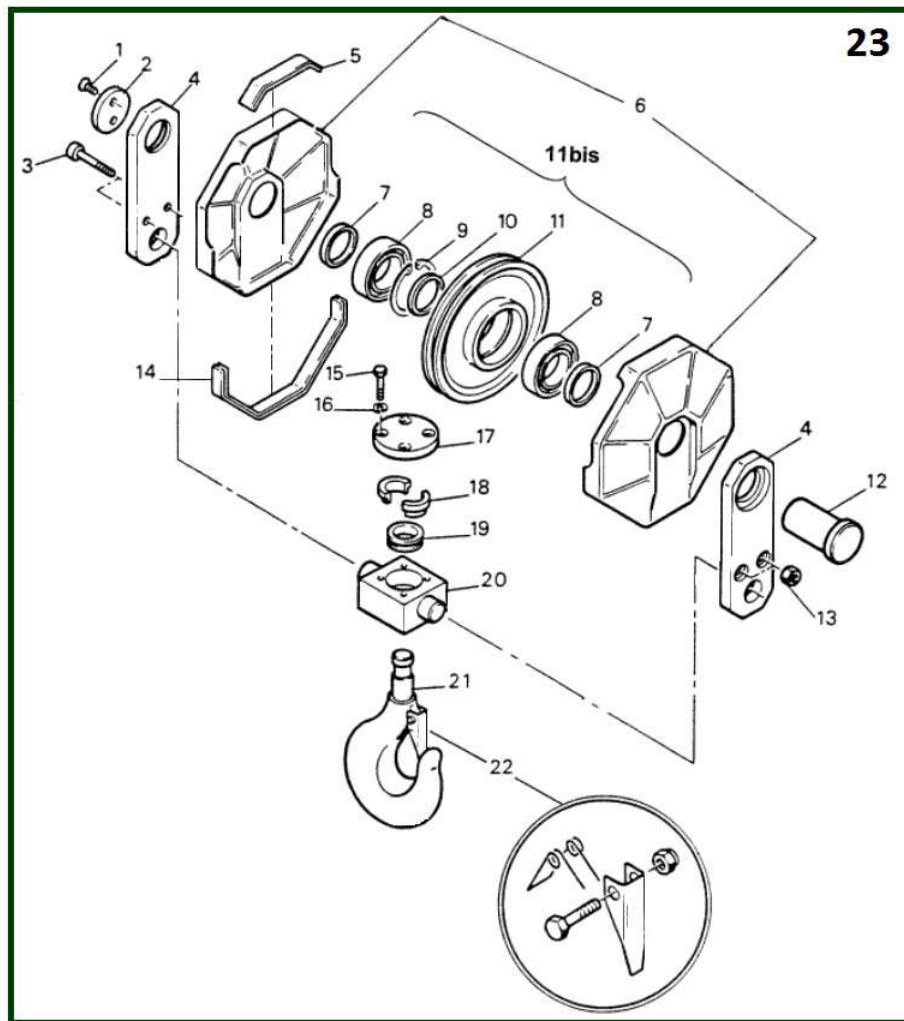
item	reference	description	observation	Quantity
1	28101001	Micro-speed	0,75 Kw - 220/380V	1
1bis	28103070	Motor micro-speed	0,75 Kw - 220/380V	1
1bis	28103120	Motor micro-speed	0,75Kw - 415V	1
2	7262030L	External circlip	Ø 30	1
3	28123001	Pulley brake/clutch		1
6	28114001	Cover		1
7	7412061P	Bearing	C32 - A,B	1
8	7281081U	Key 8 x 7 x 30	Ø 320 - A, B, C	1
9	28120001	Shaft		1
11	28119001	Gear		1
12	7410051D	Bearing	1/77	1
29	28123003	Adjustment shims		1
32	28123002	Brake end cap with brake lining		1
33	28123004	Brake cone		1
	28003002	Repair kit	19+20+21+23+24+40+41	1

8) Hook - 1 fall



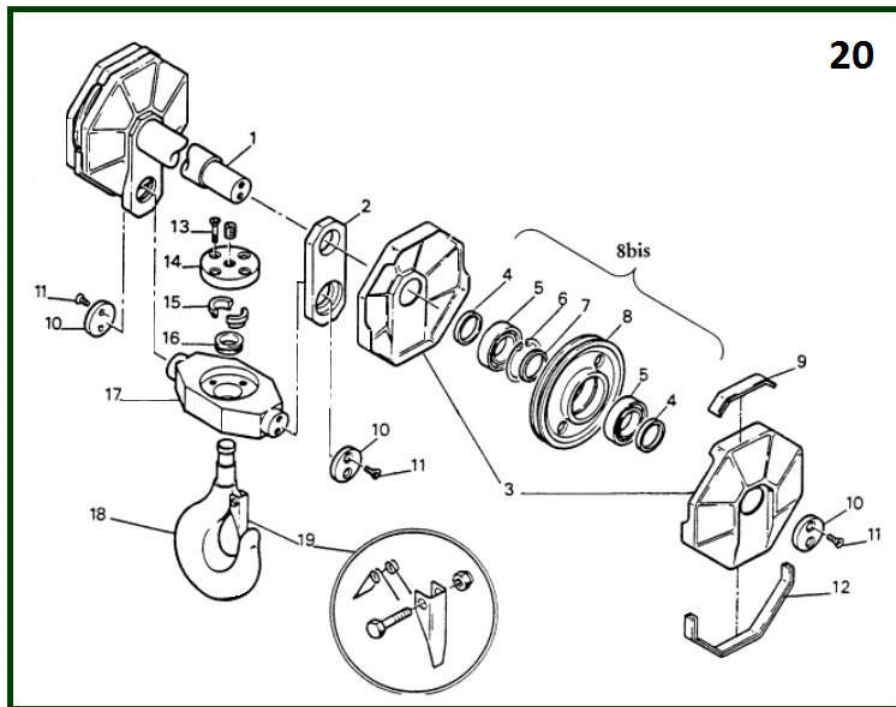
item	reference	description	observation	Quantity
1	8536225F	Rope attachment	D & DA - Ø 11 mm	1
2	8536125X	Rope wedge	Câble / Rope Ø 11 mmm - D & DA	1
3	7231162J	Plate washer	Câble / Rope Ø 11 mm	2
4	5253311W	Stirrup	Câble / Rope Ø 11 mm	1
5	7271405B	Split pins	Câble / Rope Ø 11 mm	2
6	5253312X	Rope attachment axle	Câble / Rope Ø 11 mm	1
7	7261080D	Internal circlip - Ø 80		1
8	5233615N	Cap	Câble / Rope Ø 11 & 12 mm	1
9	5233613K	Half segment ring	Câble / Rope Ø 11 & 12 mm	1
10	5233612J	Cylindrical dish	Câble / Rope Ø 11 & 12 mm	1
11	7431062S	Thrust bearing		1
12	7217434N	Pointed screw	Câble / Rope Ø 11 & 12 mm	1
13	5233302X	Axle	Câble / Rope Ø 11 & 12 mm	1
14	5233301W	Washer	Câble / Rope Ø 11 & 12 mm	1
15	5233610G	Hook with safety catch		1
16	SR32F	Safety catch (wire)	Câble / Rope Ø 11 & 12 mm	1
16	13203003	Safety-latch	Lot de /set of 5 pièces	1
17	3253310G	Hook assembly - 1 fall	Câble / Rope Ø 11 & 12 mm	1

9) Hook - 2 falls



item	reference	description	observation	Quantity
1	7216403S	Screw		2
2	13417001	Retaining washer		1
3	7215416U	CHC screw	VS5.....D/E	2
4	23225001	Bottom block support piece		2
6	23203001	Sub assemblies hook cover	9-12	2
11	23412001	Pulley		1
11bis	23203002	Complete Pulley for hook block	4-5-6-7-8	1
12	23216001	Pulley axle		1
13	7221080A	HM nut (8)		2
15	7211354D	Screw HM 6x20	Standard	4
16	7232060K	Washer M6	Standard	4
17	23234001	Bearing cover		1
18	13417004	Two-part collar		1
19	7431052F	Thrust ball bearing		1
20	23231001	Bottom block cross-piece		1
21	13413001	Hook with safety latch		1
22	13233001	Safety latch	Standard	1
22	13203004	Steel safety latch	Lot de 5 - Set of 5	1
23	23201001	Complete bottom block	2 brins / 2 falls	1

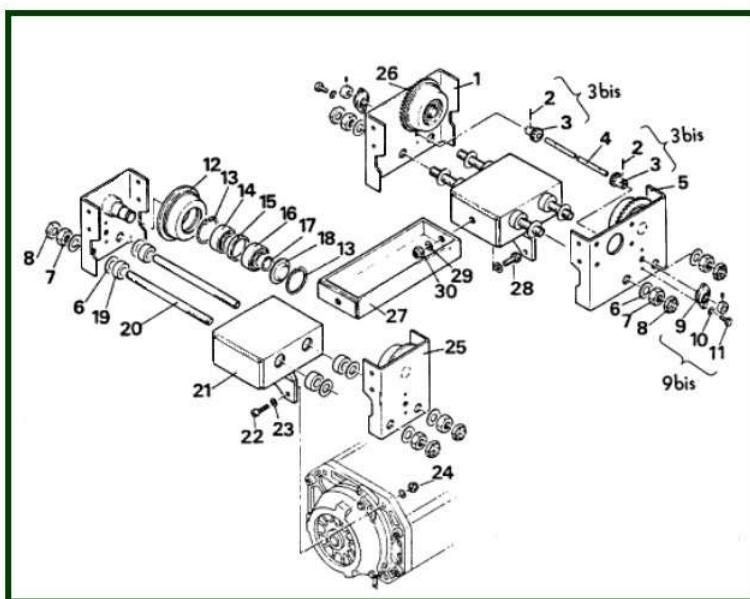
10) Hook - 4 falls



item	reference	description	observation	Quantity
1	23416001	Pulley axle		1
2	23425001	Bottom block support piece		2
3	23203001	Sub assemblies hook cover	9-12	2
8	23412001	Pulley		2
8bis	23203002	Complete Pulley for hook block	4-5-6-7-8	1
10	13417001	Retaining washer		4
11	7216403S	Screw		8
13	7216465Y	Screw		4
14	23434001	Bearing cover		1
15	23417003	Two part collar		1
16	7431072C	Thrust bearing		1
17	23431001	Bottom block cross-piece		1
18	23413001	Hook with safety latch		1
19	23233001	Safety catch		1
19	23233003	Safety latch N°1	RSN08	1
20	23401001	Complete bottom block	4 brins / 4 falls	1

11) NHT monorail trolley

Hauteur Perdue Normale / Normal Headroom Trolley

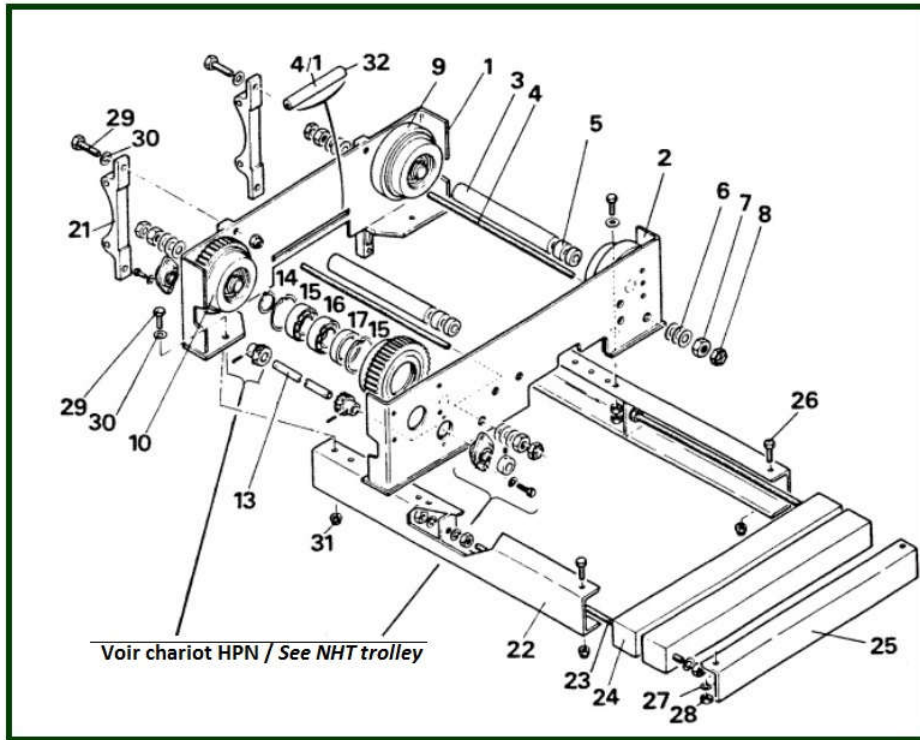


item	reference	description	observation	Quantity
1	3541114N	Ung geared side plate with fittings - Driven runner	Depuis/Since 01/1986	1
3bis	25003001	Set of 2 pinions and pins	2+3	1
4	25015001	Jackshaft	Fer 90 to 150 - Lg 340 mm	1
4	25015002	Jackshaft	Fer 151 to 200 - Lg 390 mm	1
4	25015003	Jackshaft	Fer 201 to 250 - Lg 440 mm	1
4	25015004	Jackshaft	Fer 252 to 300 - Lg 490 mm	1
5	3541313D	Geared side plate with fittings - Left end carriage	Depuis/Since 01/1986	1
6	7153629J	Adjustment washer	Ep. / th 2mm	24
6	7153639V	Adjustment washer	Ep. / th 3 mm	80
7	7221360E	Nut		8
8	7223360D	PAL nut		8
9bis	25003003	Set of 1 shaft bearing with screw and washer	2+3+4+5	1
12	4541111R	Idler runner with fittings without axle		2
13	7261080D	Internal circlip - Ø 80		8
14	7412081K	Bearing		4
15	5441152W	Collar		4
16	7413070K	Bearing		4
17	7262035S	Circlip - Ø 35		4
18	5233615N	Cap	Câble / Rope Ø 11 & 12 mm	4
19	5442116U	Collar	ép. /th. 25mm	8
19	5442117V	Collar	ép. /th. 50mm	8
20	5442102D	Spacer	Lg 370mm	4
20	5452102Y	Spacer	Lg 440mm	4
20	5452106C	Spacer	Lg 540mm	4
21	25031002	Left-hand crosshead adapter	2/1 & 4/1 < 5T	1
21	25031003	Left-hand crosshead adapter	4/1 (5 - 6,3T)	1
21	25031008	Right-hand crosshead adapter	2/1 & 4/1 < 5T	1
21	25031009	Right-hand crosshead adapter	4/1 (5 - 6,3T)	1
22	7211812B	Screw	2/1 & 4/1 < 5T	2
22	7211990V	Screw for crosshead	4/1 (5 - 6,3T)	4
22	7211908F	Screw for crosshead	2/1 & 4/1 < 5 T	2
23	7232161V	Washer	2/1 & 4/1 < 5T	4
23	25031004	Washer	4/1 (5 et 6,3T)	4
24	7227160J	NYLSTOP nut	2/1 & 4/1 < 5T	4
24	7227300L	NYLSTOP nut	4/1 (5-6,3T)	4
25	3541113L	Ung geared side plate with fittings	Depuis/Since 01/1986	2
26	5441351V	Geared wheel only		1

26	<u>4541311H</u>	Geared wheel with fittings without axle		2
27	<u>25031006</u>	Intermediate crosshead	Long	1
27	<u>25031005</u>	Intermediate crosshead	Normal	1
27	<u>25031007</u>	Intermediate crosshead	Super Long	1
28	<u>7211806V</u>	Screw - HM 16 x 30		2
29	<u>7232160U</u>	Washer		2
30	<u>7221160N</u>	Nut		2
-	<u>25002070</u>	Shaft set	Lg 45 mm	1

12) LHT trolley

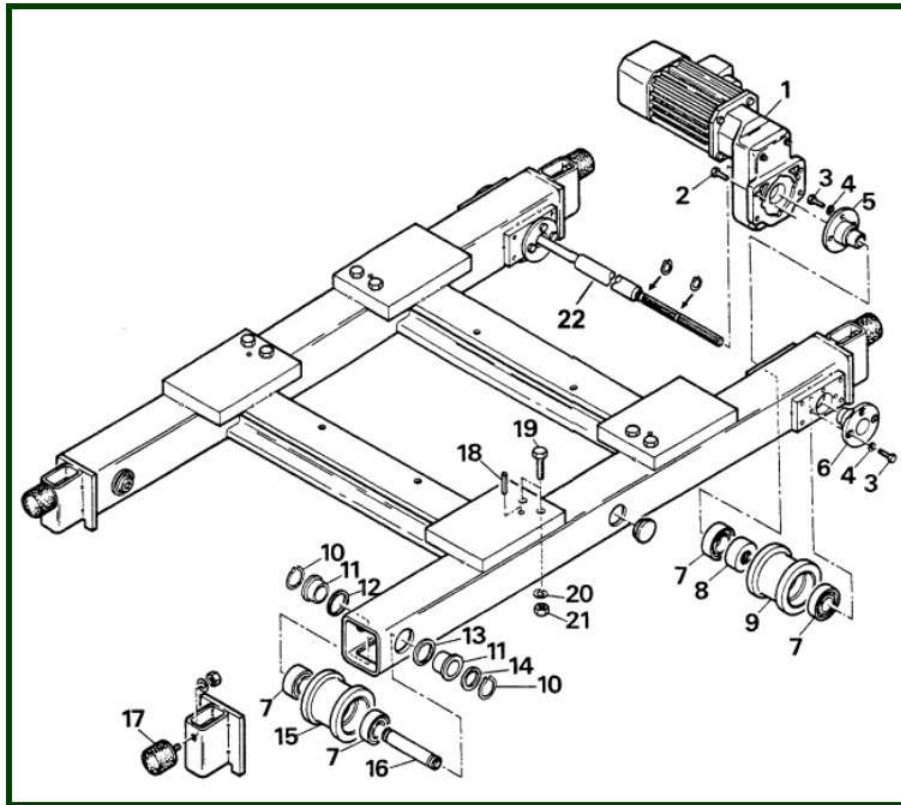
Hauteur Perdue Réduite / Low Headroom Trolley



item	reference	description	observation	Quantity
1	25025003	Idler frame plate with axles	Long	1
1	25025001	Idler frame plate with axles	Normal	1
1	25025005	Idler frame plate with axles	Super Long	1
1	25001001	Idler frame plate with fittings	Normal	1
1	25001005	Idler frame plate with fittings	Super Long	1
1	25001003	Idler rame plate with fittings	Long	1
2	25025004	Driven frame plate with axles	Long	1
2	25025002	Driven frame plate with axles	Normal	1
2	25025006	Driven frame plate with axles	Super Long	1
2	25001004	Driven frame plate with fittings	Long	1
2	25001002	Driven frame plate with fittings	Normal	1
2	25001006	Driven frame plate with fittings	Super Long	1
3	15018007	Spacer tube	Lg 315 mm	1
3	15018004	Tube	160 mm	1
3	15018005	Tube	205 mm	1
4	5432101H	Spacer	Lg 280 - ø 24	1
4	5432102J	Spacer	Lg 375 - ø 24	1
4	5432103K	Spacer	Lg 410 - ø 24	1
4	5432107Q	Spacer	Lg 500 - ø 24	1
5	5432116Z	Spacer collar	ép. / th 26 mm	1
5	5432117A	Spacer collar	ép. / th 49 mm	1
6	7231241V	Adjustment washer	Ep. / Th 3 mm	4
6	7152411K	Washer	1 mm	4
6	7152421W	Washer	2 mm	4
7	7221240Z	Nut		4
8	7223240Y	PAL nut		4
9	4541111R	Idler runner with fittings without axle		2
9	5441151V	Idler runner without fittings with axle	Ø 150 x 186	2
10	4541311H	Geared wheel with fittings without axle		2
10	5441351N	Geared wheel without fittings	Ø 150 x 186 - 60 dents / 60 teeth	2
13	25015001	Jackshaft	Fer 90 to 150 - Lg 340 mm	1
13	25015002	Jackshaft	Fer 151 to 200 - Lg 390 mm	1
13	25015003	Jackshaft	Fer 201 to 250 - Lg 440 mm	1

13	<u>25015004</u>	Jackshaft	Fer 252 to 300 - Lg 490 mm	1
14	<u>7262035S</u>	Circlip - Ø 35		4
15	<u>7261080D</u>	Internal circlip - Ø 80		8
16	<u>7413070K</u>	Bearing		4
16	<u>7412081K</u>	Bearing		4
17	<u>5441152W</u>	Collar		4
21	<u>21433002</u>	Fixing lug		2
22	<u>25031010</u>	Set of girder		1
23	<u>25018001</u>	Counterweight locking bar		2
24	<u>21533002</u>	Counterweight	Long	2
24	<u>21533001</u>	Counterweight	Normal	2
24	<u>21533003</u>	Counterweight	Super Long	2
25	<u>25031012</u>	Girder cross	Long	1
25	<u>25031011</u>	Girder cross	Normal	1
25	<u>25031013</u>	Girder cross	Super Long	1
26	<u>7211812B</u>	Screw	2/1 & 4/1 < 5T	4
27	<u>7232160U</u>	Washer		4
28	<u>7221160N</u>	Nut		4
29	<u>7211916Q</u>	Screw		4
30	<u>7232200N</u>	Washer		4
31	<u>7227200C</u>	NYLSTOP nut		4
32	<u>21215001</u>	Nylon supporting sleeve	42739	2
	<u>25002071</u>	Shaft set	Lg 62 mm	1

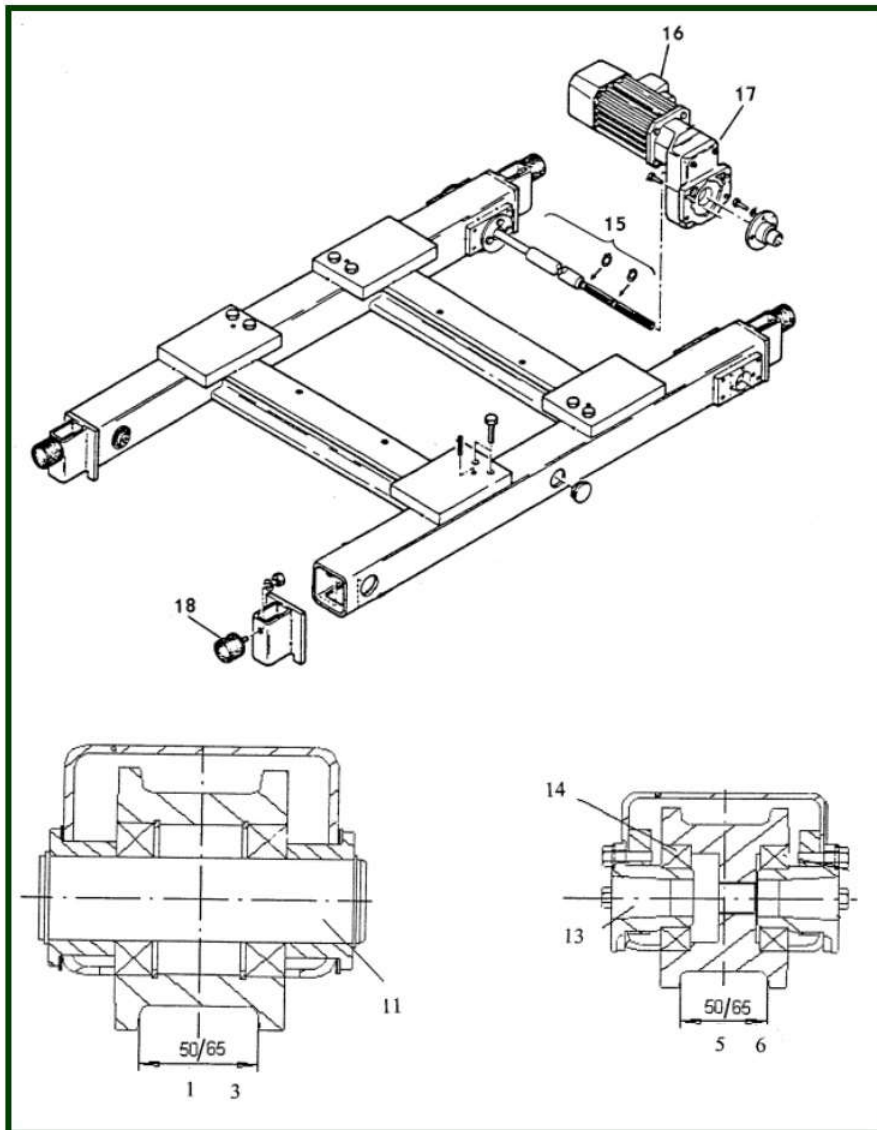
13) Crab frame with carriages VP09 2&4 brins<5T



item	reference	description	observation	Quantity
1	25580023	Motor drive	220V - 16/4 m/mn	1
1	25580021	Motor drive	220V - 20/5 m/mn	1
1	25580022	Motor drive	220V - 25/6 m/mn	1
1	25580003	Motor drive	380V - 16/4 m/mn	1
1	25580001	Motor drive	380V - 20/5 m/mn	1
1	25580002	Motor drive	380V - 25/6 m/mn	1
1	25580004	Motor drive	380V - 32/8 m/mn	1
1	25800043	Motor drive	415V - 16/4 m/mn	1
1	25580041	Motor drive	415V - 20/5 m/mn	1
1	25580042	Motor drive	415V - 25/6 m/mn	1
1	25580044	Motor drive	415V - 32/8 m/mn	1
2	7215555V	BTR screw 10 x 25		4
3	7211556Y	Screw		12
4	7231102U	Washer		12
5	15511002	Bearing housing nearest motor		2
6	15511003	Bearing housing furthest from motor		2
7	7412072A	Complete bearing	VP9-VS302	8
8	15517001	Inner fluted collar		2
9	15503001	Driving wheel set - ø 90 - G50	VS302..F - VS402 A partir / Since 1999	2
9	15503005	Driving wheel set - ø 90 - G65	VS302..F - VS402 A partir / Since 1999	2
10	7262035S	Circlip - Ø 35		4
11	15517002	Stepped collar		4
12	7235959Y	Washer		4
13	7235919E	Washer		4
14	7235759F	Washer		4
15	15503006	Travel wheel set ø 90 - G65	VS202/VP9 - VS302..F - VS402 A partir / Since 1999	2
15	15503003	Travel wheel set - ø 90 - G50	VS202/VP9 - VS302..F - VS402 A partir / Since 1999	2
16	15515001	Travel wheel idler axle		2
17	7910802Y	Rubber buffer	Ø 80	4
18	7273558S	Pin		4
19	7211812B	Screw	2/1 & 4/1 < 5T	8

20	<u>7232160U</u>	Washer		8
21	<u>7221160N</u>	Nut		8
22	<u>15520001</u>	Drive shaft	0.9m	1
22	<u>15520002</u>	Drive shaft	1.4m	1
22	<u>15520003</u>	Drive shaft	2m	1
22	<u>15520006</u>	Drive shaft - Exterior motor	2m	1
-	<u>15503002</u>	Bearling-flange set	VP9-VS302	1

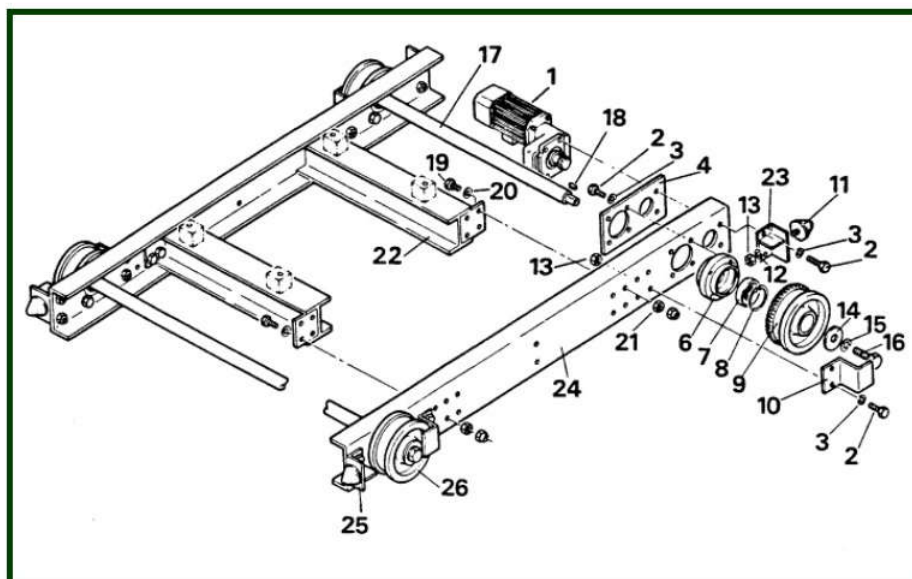
14) Crab frame - 4 falls - 6,3 T



item	reference	description	observation	Quantity
1	25803003	Travel wheel set - ø 140 - G50	VS404 / VP14 VS502 VS504 < 16T	1
3	25803006	Travel wheel set - ø 140 - G65	VS404 / VP14 VS502 VS504 < 16T	1
5	25803001	Driving wheel set - ø 140 - G50	VS404 / VP14 - VS502 VS504 < 16T	1
6	25803005	Driving wheel set - ø 140 - G65	VS404 / VP14 - VS502 VS504 < 16T	1
11	25803007	Shaft travel wheel	VP14 - VS404 - VS502 - VS504 < 16T	1
13	25803002	Bearing flange set	VP14 - VS404 - VS502 - VS504 < 16T	1
14	7412112U	Bearing compl.	VP14 - VS404 - VS502 - VS504 < 16T	2
15	25501003	Drive shaft	VP14 - 0,9 m	1
15	25501005	Drive shaft	VP14 - 1,4 m	1
15	25501004	Drive shaft	VP14 - 1 m	1
15	25501007	Drive shaft	VP14 - 2,4 m	1
15	25501006	Drive shaft	VP14 - 2 m	1
16	25809303	Travelling motor	MF07LB104+PTC-3000-750t/mn-380V/50Hz - 0.45/0.11kw avec sondes - Prise Wieland avant avril 1999 / Wieland plug before april 1999	1
16	25518202	Travelling motor	MF07ZB206-1500-500t/mn-220V/50Hz-0.37/0.10kw - Prise Wieland avant avril 1999 / Wieland plug before april 1999	1
16	25518204	Travelling motor	MF07ZB206-1500-500t/mn-415V/50Hz-0.37/0.10kw - Prise Wieland avant avril 1999 / Wieland plug before april 1999	1
16	25518203	Travelling motor	MF07ZB206-1500-500t/mn-380 400V/50Hz-0.37/0.10kw - Prise Wieland avant avril 1999 / Wieland plug before april 1999	1
16	25808302	Travelling motor MF07LB104 3000-750t/mn-220V/50Hz - 0.45/0.11Kw	Prise Wieland avant avril 1999 Wieland plug before april 1999 GS332RPC : VS306 - GS315RPC : VS306 6,3T	1

16	<u>25808303</u>	Travelling motor MF07LB104 3000-750t/mn-380-400V/50Hz - 0.45/0.11KW	Prise Wieland avant avril 1999 Wieland plug before april 1999 GS332RPC : VS306 - GS315RPC : VS306 6,3T	1
16	<u>25808304</u>	Travelling motor MF07LB104 3000-750t/mn-415V/50Hz - 0.45/0.11KW	Prise Wieland avant avril 1999 Wieland plug before april 1999 GS332RPC : VS306 - GS315RPC : VS306 6,3T	1
17	<u>25883030</u>	Gear GS 350 RFB		1
17	<u>25883020</u>	Gear GS 363 RFB		1
18	<u>15503007</u>	Buffer set		4

15) Crab frame - 6,3T



item	reference	description	observation	Quantity
1	2548263B	Motor drive 2- 0&5 m/mn	220/380V 50HZ-PA - 11 dents/theeth Bride / Clamp 200	1
1	2548113P	Motor drive - 2,5 m/mn	220/380V 50HZ	1
1	2548123Z	Motor drive - 5 m/mn	220/380V 50HZ	1
1	2548133K	Motor drive - 7,5 m/mn	220/380V 50HZ	1
1	2548243E	Motor drive - 10&2,5 m/mn	220/380V 50HZ	1
1	2548143W	Motor drive - 10 m/mn	220/380V 50HZ-PA - 11 dents/theeth Bride / Clamp 200	1
1	2548253R	Motor drive - 15&3,75m/mn	220/380V 50HZ	1
1	2548153G	Motor drive - 15 m/mn	220/380V 50HZ	1
1	2548163T	Motor drive - 20 m/mn	220/380V 50HZ-PA - 11 dents/theeth Bride / Clamp 140	1
1	2548273N	Motor drive - 30&7,5m/mn	220/380V 50HZ	1
1	2548173D	Motor drive - 30 m/mn	220/380V 50HZ-PA - 11 dents/theeth Bride / Clamp 140	1
2	7211657H	Screw		8
4	5571022J	Positioning-plate for motor drive		1
5-13	7221120U	HM nut 12	D & DA & RD	4
6	5571010W	Bearing housing	Depuis / Since 06 / 83	4
7	7425100L	Bearing		4
8	7261090Q	Interior circlip		4
9	5571351S	Driven runner - Ø200 -76 teeth	Depuis / Since 06 / 83 71 mm	1
10	5571016C	Runner protector		4
11	7910802Y	Rubber buffer	Ø 80	4
12	7232120A	Grower washer (12)	D & DA & RD	4
14	5571012Y	Washer		4
15-21	7232160U	Washer		4
16	7211806V	Screw - HM 16 x 30		4
17	25516001	Runway travel axle	900 mm	2
17	25516002	Runway travel axle	1000 mm	2
17	25516003	Runway travel axle	1400 mm	2
18	7281142K	Key		4
19	7111109S	Bolt		16
20	7231162J	Plate washer	Câble / Rope Ø 11 mm	4
22	25536002	Runway crosshead 900 mm	900mm	2
22	25536003	Runway crosshead 1000 mm	1000 mm	2
22	25536004	Runway crosshead 1400 mm	1400 mm	2
23	5571018E	Buffer support on driven side		1
24	25536001	Girder		2
25	5571020G	Buffer support on idler side		3
26	5571151Z	Idler runner - Ø200	Depuis / Since 06 / 83	3

16) Electric equipment

item	reference	description	observation	Quantity
-	7366403C	2 speeds contact element	XENG1191	1
-	7632422L	Box casing with clamp 2 buttons	XAC A02	1
-	7661915U	Bull dog grip SIMPLEX		1
-	7632412A	Buttons with black gummi	XAC A9412	1
-	7632413B	Buttons with red gummi	XAC A9414	1
-	7641109D	Cable gland (9)	Câble rond	1
-	7641111F	Cable gland (11)	Câble rond	1
-	7641113H	Cable gland (13)	Câble rond	1
-	7641116L	Cable gland (16)	Câble rond	1
-	7642029D	Cable gland (21)	1 câble plat 4x2.5 ²	1
-	7642129N	Cable gland (29)	1 câble plat 4x6 ²	1
-	7642229W	Cable gland (29)	1 câble plat 8x1.5 ²	1
-	7642329E	Cable gland (29)	2 câbles plats 4x6 ²	1
-	7642429P	Cable gland (29)	2 câbles plats 8x1.5 ²	1
-	7641129A	Cable gland (29)	Câble rond	1
-	7642536E	Cable gland (36)	1 câble plat 4x16 ²	1
-	7642236D	Cable gland (36)	1 câble plat 12x1.5 ²	1
-	7641136H	Cable gland (36)	Câble rond	1
-	7642648B	Cable gland (48)	1 câble plat 4x25 ²	1
-	7648109N	Cap nut (9)		1
-	7648111Q	Cap nut (11)		1
-	7648113S	Cap nut (13)		1
-	7648116V	Cap nut (16)		1
-	7648121A	Cap nut (21)		1
-	7648129J	Cap nut (29)		1
-	7648136S	Cap nut (36)		1
-	7532326L	Contacteur ON-OFF	LC1D253E	1
-	8812052T	Control cable	5x1.5mm ²	1
-	8812152B	Control cable	16x1,5 mm ²	1
-	7581715V	Earth MS4/6		1
-	7581719Z	Earth MS6/8P		1
-	7575300X	Fuse 1A		1
-	7576406Z	Fuse 6AM		1
-	7575310H	Fuse 10AM		1
-	7576416K	Fuse 16AM		1
-	7576420Q	Fuse 20AM		1
-	7578061Y	Fuse carrier	GV1M14	1
-	7573751P	Fuse carrier GK1EV		1
-	7573242K	Fuse support	BC31	1
-	7578011U	Fuse support	GB2CD06	1
-	7578021E	Fuse support	GB2CD07	1
-	7641121S	Gland 21	Câble rond	1
-	7581725F	Gland diam :30		1
-	7531021T	Interlocked contactor	LC2D099E	1
-	7531023V	Interlocked contactor	LC2EC09E	1
-	7531122C	Interlocked contactors 400V/48V - LC2D129E	AK1-AK2 - Moteur/Motor P1-P2-P3-N1-N2	1
-	7531325Y	Interlocked contactors 400V/48V - LC2D259E	AK1-AK2 Moteur/Motor P5	1
-	7634431V	Label - Off	ZB2BY2931	1
-	7532220W	Main contactor - 400V/48V - LC1D18E7	Moteur / Motor P2-P3 - O-K1	1
-	26126001	Mouting plate for electric équipement		1
-	7633401A	One step control part low voltage control with 1 « F » contact	ZB2 BE101	1
-	7633402B	One step control part low voltage control with 1 « O » contact	ZB2 BE102	1
-	8812202F	Pendant cable without green / yellow	20x1,5 mm ²	1
-	7521111W	Rectifier	Frein / Brake 24V	1
-	7535214A	Relay	LT25A30E	1
-	7535414T	Relay FINDER	48V	1

-	7531220J	Reversing contactor - 690V/48V - LC2D18E7	Moteur / Motor P4 - AK1-AK2	1
-	7632401P	Rubber protection cover	XAC A960	1
-	7634416D	Sticker backward	ZB2BY2916	1
-	7634417E	Sticker backward high speed	ZB2BY2917	1
-	7634418F	Sticker backward slow speed-high speed	ZB2BY2918	1
-	7634404R	Sticker down	ZB2BY2904	1
-	7634405S	Sticker down high speed	ZB2BY2905	1
-	7634406T	Sticker down slow speed-high speed	ZB2BY2906	1
-	7634413A	Sticker forward	ZB2BY4913	1
-	7634414B	Sticker forward high speed	ZB2BY4914	1
-	7634415C	Sticker forward slow speed-high speed	ZB2BY4915	1
-	7634410X	Sticker left	ZB2BY2910	1
-	7634411Y	Sticker left high speed	ZB2BY2911	1
-	7634412Z	Sticker left slow and high speed	ZB2BY2912	1
-	7634430U	Sticker ON	ZB2BY4930	1
-	7634435Z	Sticker ON-ALARM	ZB2BY4935	1
-	7634407U	Sticker right	ZB2BY4907	1
-	7634408V	Sticker right high speed	ZB2BY4908	1
-	7634409W	Sticker right slow speed-high speed	ZB2BY4909	1
-	7634401N	Sticker UP	ZB2BY4901	1
-	7634402P	Sticker UP high speed	ZB2BY4902	1
-	7634403Q	Sticker UP slow speed-high speed	ZB2BY4903	1
-	16126002	Support bracket FINDER		1
-	7512332D	Transformer 40VA	380-420-500/48V	1
-	7513032Q	Transformer	220/42-48V (63 VA)	1
-	7532122Q	Two speed selection contactor	LC1D128E	1
-	7532324J	Two speed selection contactor	LC1D258E	1
-	7532021E	Two speed selection contactor	LC1EC08E	1