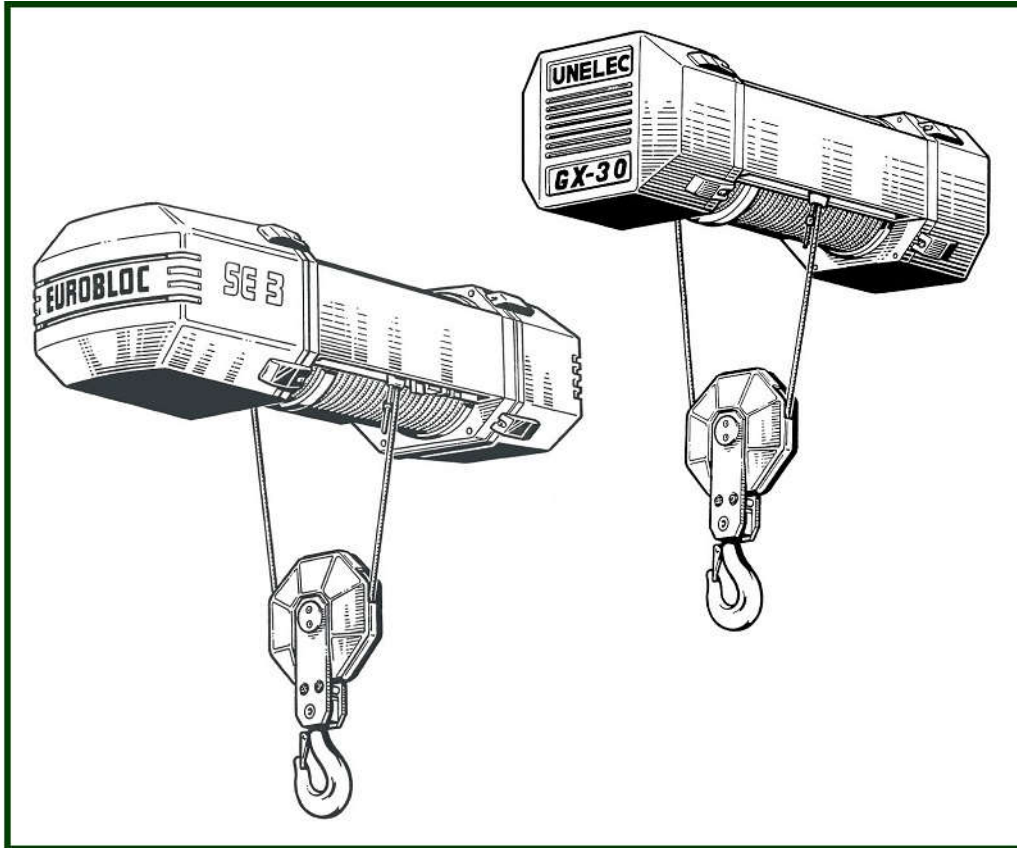


## **Spare parts catalog for "SE3 - GX30"**

To avoid errors, when ordering please specify:

- Complete type of hoist
- Date of manufacture and serial number
- Spare part code
- Spare part designation
- Additional information



### **1) SUB-ASSEMBLIES**

#### **2) HOIST MOTOR**

- 2.1) SE Motor
- 2.2) GX Motor

#### **3) MICRO-SPEED**

#### **4) DRUM / ROPE**

- 4.1) Precut rope

#### **5) ROPE GUIDE / LIMIT SWITCH**

#### **6) HPN 2/1 4/1**

#### **7) HPN 6/1**

#### **8) HPR 2/1 4/1**

#### **9) HOISTING GEARBOX**

#### **10) HOOK BLOCK - 1 FALL**

#### **11) HOOK BLOCK - 2 FALLS**

#### **12) HOOK BLOCK - 4 FALLS**

#### **13) HOOK BLOCK - 6 FALLS**

#### **14) STANDARD HEADROOM MONORAIL TROLLEY 2/1**

#### **15) STANDARD HEADROOM MONORAIL TROLLEY 4/1**

#### **16) STANDARD HEADROOM MONORAIL TROLLEY 6/1**

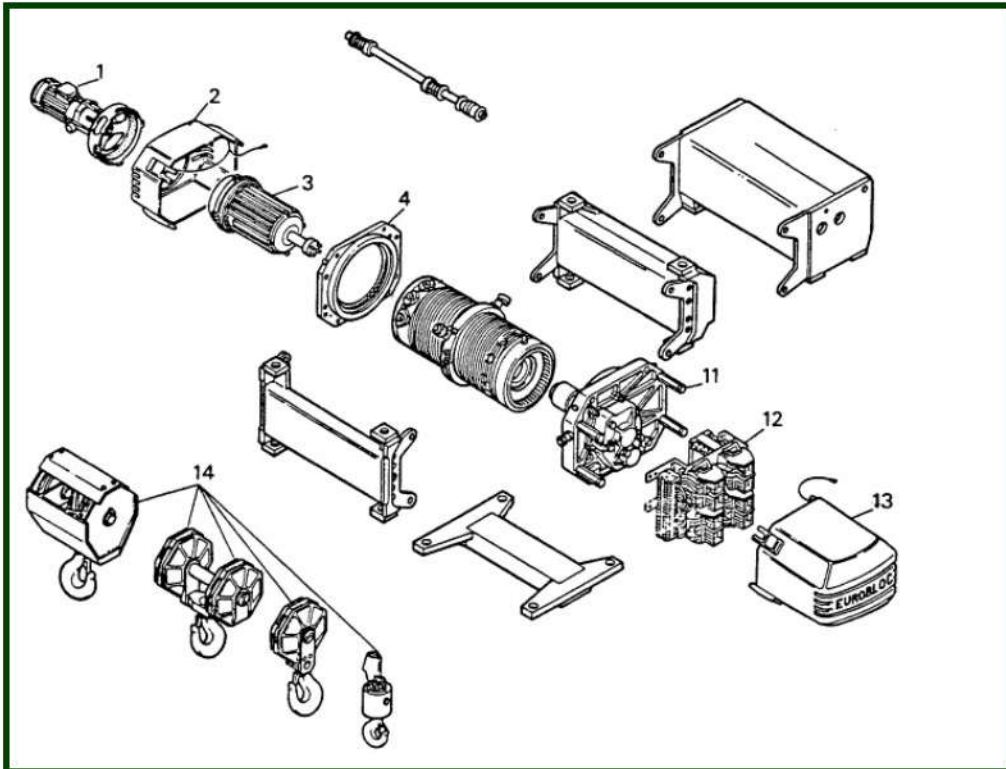
#### **17) REDUCED HEADROOM MONORAIL TROLLEY 2/1-4/1**

#### **18) CRAB FRAME SE3 1 AND 2 FALLS**

#### **19) CRAB FRAME SE3 4 FALLS**

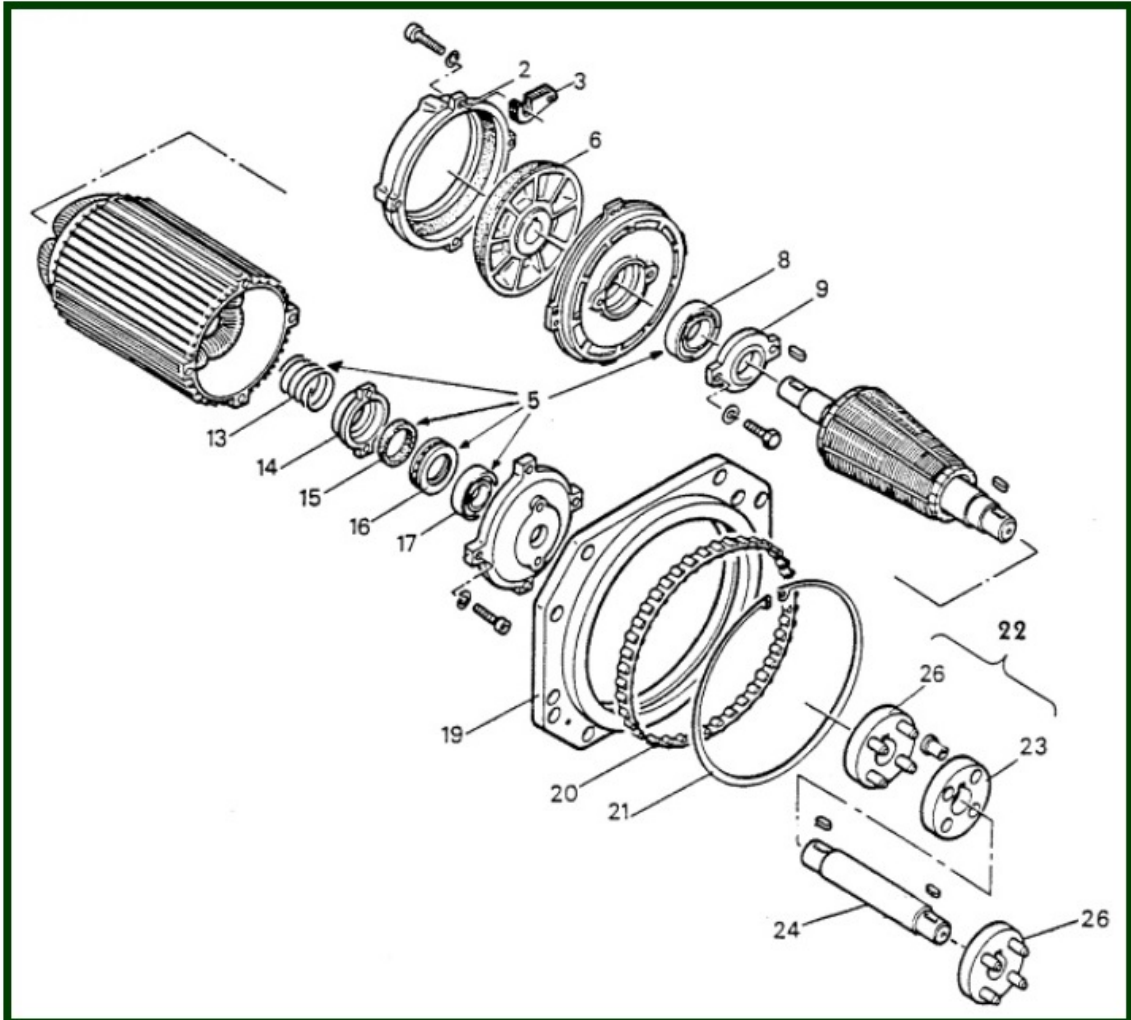
#### **20) ELECTRICAL EQUIPMENT**

# 1) Sub-assemblies

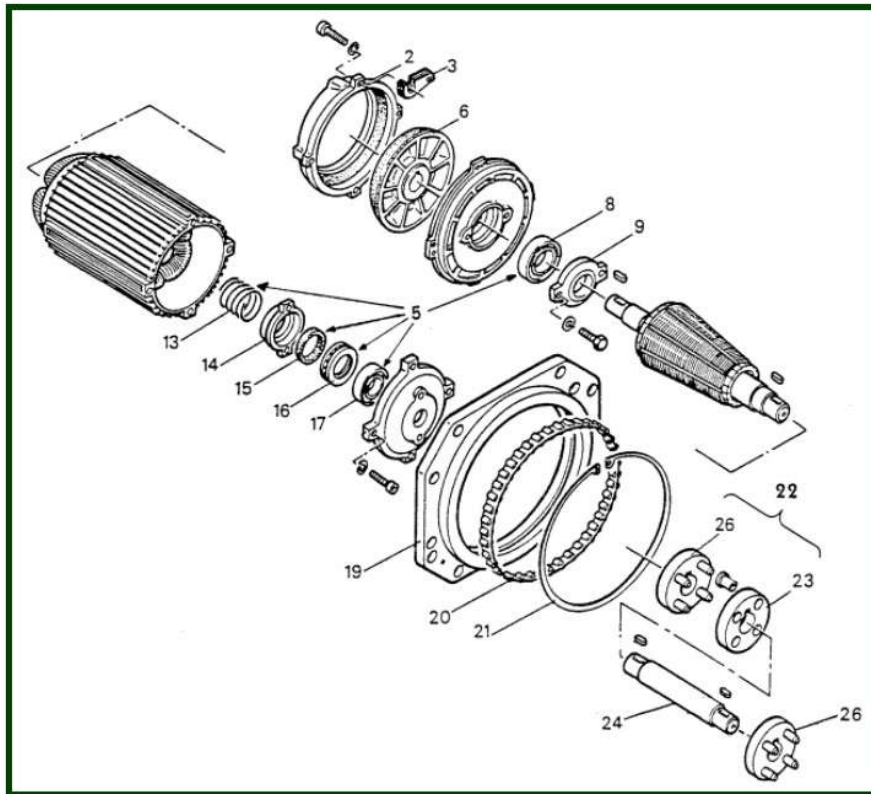


item	reference	description	observation	Quantity
1	<a href="#">38103079</a>	Micro-speed 1,3Kw 220/380V		1
1	<a href="#">38103129</a>	Micro-speed 1,3Kw 415V		1
1	<a href="#">38101001</a>	Micro-speed 1 speed 1,3Kw 220/380V		1
1	<a href="#">38101002</a>	Micro-speed 1 speed 415V		1
2	<a href="#">38533003</a>	Micro-speed housing		1
2	<a href="#">38533001</a>	Motor housing		1
3	<a href="#">38002015</a>	Hoist motor 7,5/2,5Kw2 speed 220V		1
3	<a href="#">38002055</a>	Hoist motor 7,5/2,5Kw2 speed 380V		1
3	<a href="#">38002125</a>	Hoist motor 7,5/2,5Kw2 speed 415V		1
3	<a href="#">38001075</a>	Hoist motor 7,5Kw1 speed 220/380V		1
3	<a href="#">38001125</a>	Hoist motor 7,5Kw1 speed 415V		1
3	<a href="#">38001076</a>	Hoist motor 12,5Kw 1 speed 220/380V		1
3	<a href="#">38001126</a>	Hoist motor 12,5Kw1 speed 415V		1
4	<a href="#">31125002</a>	Motor end plate		1
11	<a href="#">34001003</a>	Hoist gearbox 16m/mn		1
11	<a href="#">34001001</a>	Hoist gearbox 20m/mn		1
11	<a href="#">34001002</a>	Hoist gearbox 25m/mn		1
11	<a href="#">34001004</a>	Hoist gearbox 32m/mn		1
12	<a href="#">NC(5)</a>	External chain guide	Not supplied anymore replaced by 52309591	1
13	<a href="#">38533002</a>	Gearbox housing		1
14	<a href="#">33201001</a>	Complete hook block - 2 falls		1
14	<a href="#">33401001</a>	Complete hook block - 4 falls		1
14	<a href="#">33601001</a>	Complete hook block - 6 falls		1
14	<a href="#">33801001</a>	Complete hook block - 8 falls		1
14	<a href="#">5233610G</a>	Hook with safety catch		1
-	<a href="#">7252201C</a>	Cap with screw		1
-	<a href="#">7791300E</a>	Cover seal		1

## 2) Hoist motor

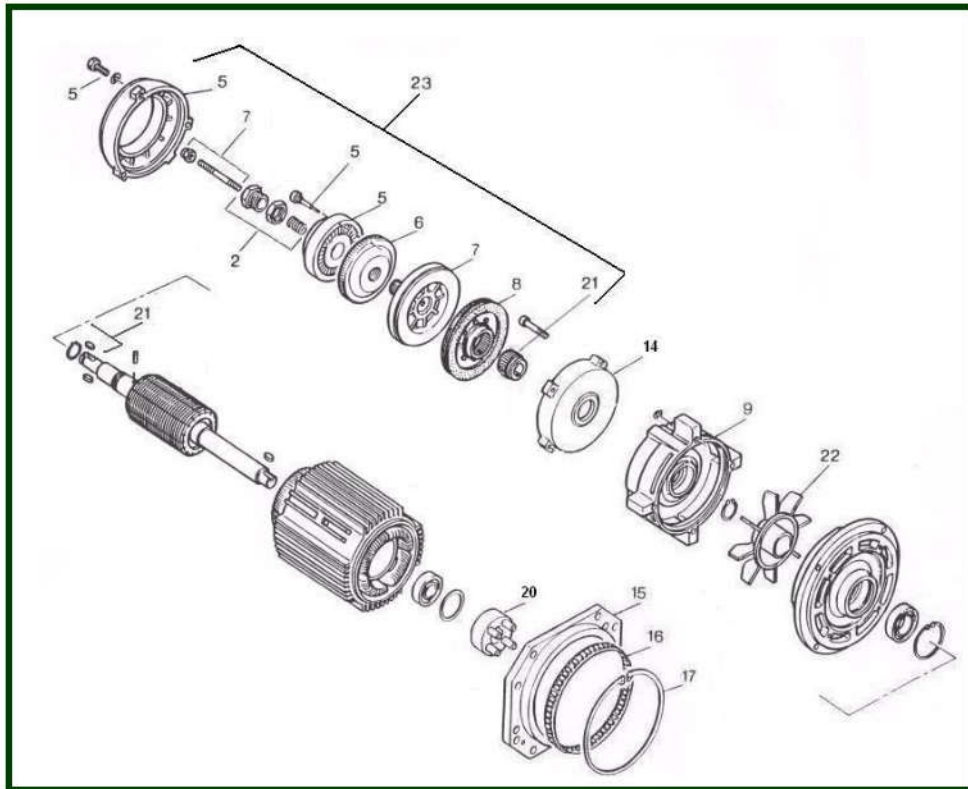


## 2.1) SE Motor



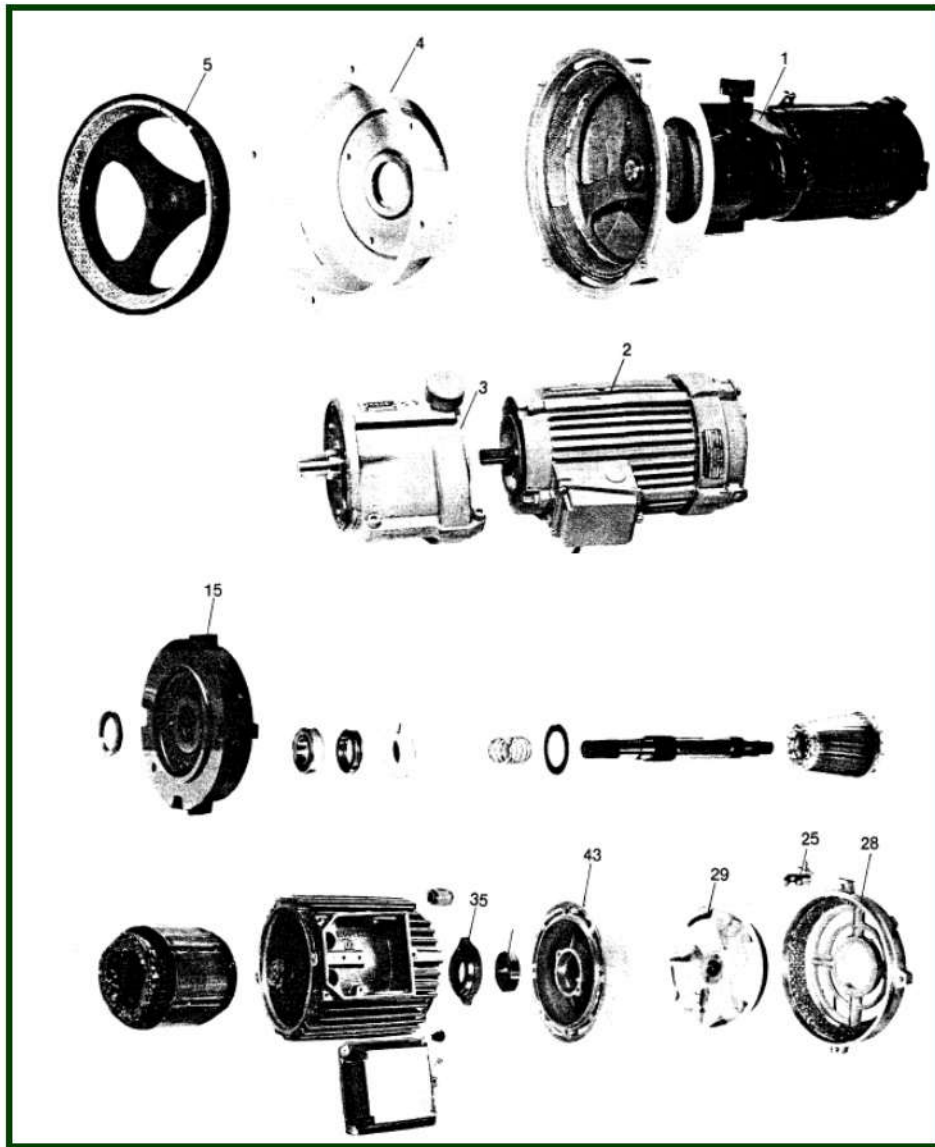
item	reference	description	observation	Quantity
2	<a href="#">38023001</a>	Brake end cap with brake lining		1
3	<a href="#">38023003</a>	Adjustment shims		4
5	<a href="#">38003001</a>	Repair kit for hoisting motor	8+13+15+16+17	1
6	<a href="#">38023002</a>	Brake cone		1
7	<a href="#">2475</a>	Brake end-plate		1
9	<a href="#">38022005</a>	Bearing		1
13	<a href="#">38032001</a>	HF624 spring	12 KW	1
13	<a href="#">38032002</a>	HF634 spring	7,5 KW mono/bi	1
14	<a href="#">2307</a>	Bearing		1
19	<a href="#">31125002</a>	Motor end plate		1
20	<a href="#">31111001</a>	Bearing		1
21	<a href="#">31117001</a>	Circlip		1
22	<a href="#">22401001</a>	Complete coupling	25+ 26	1
23	<a href="#">22417002</a>	Coupling female		1
24	<a href="#">32401002</a>	Drive shaft SL	23+24+25+26	1
24	<a href="#">32401003</a>	Drive shaft UL	23+24+25+26	1
25	<a href="#">7282464N</a>	Key		1
26	<a href="#">22417001</a>	Coupling male		1
-	<a href="#">38023004</a>	NITROC Brake cone		1

## 2.2) GX Motor



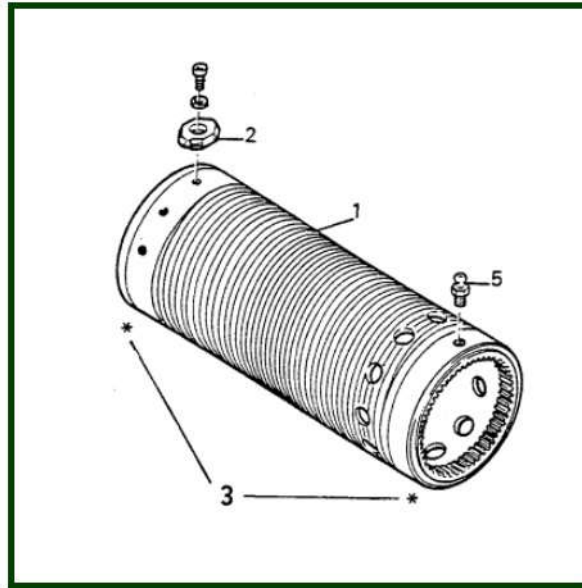
item	reference	description	observation	Quantity
2	<a href="#">342028323028</a>	Brake torque adjustment set - Brake FCL 132	25+26+27+28	1
5	<a href="#">342028323025</a>	Brake coil set	Bivitesse	1
6	<a href="#">342028323024</a>	Frame - Brake FCL 132	Moteur 3141061510RD et 3141061511RD	1
7	<a href="#">343038223001</a>	Brake set - Brake FCL 132	12+25+27	1
8	<a href="#">343038223003</a>	Brake disc with lining - Brake FCL 132		1
9	<a href="#">343000680002</a>	Flange-type bearing		1
14	<a href="#">343013263049</a>	Brake casing		1
15	<a href="#">343031125002</a>	Motor end plate		1
16	<a href="#">343031111001</a>	Bearing ( roller bearing )		1
17	<a href="#">343031117001</a>	Interior circlip		1
20	<a href="#">22417001</a>	Coupling male		1
21	<a href="#">343038222008</a>	Hub set - Brake FCL 132		1
22	<a href="#">343038222007</a>	Ventilator - Brake FCL 132		1
23	<a href="#">343038203001</a>	Complet brake		1
-	<a href="#">34307346581Q</a>	Hoist motor 2 speed type 735/2.5 kW		1
-	<a href="#">34307346281P</a>	Hoist motor single-speed 7.5 kW		1
-	<a href="#">34307346291Z</a>	Hoist motor single-speed type 12.5 kW		1

### 3) Micro-speed



item	reference	description	observation	Quantity
1	<a href="#">38101001</a>	Micro-speed 1 speed 1,3Kw 220/380V		1
1	<a href="#">38101002</a>	Micro-speed 1 speed 415V		1
2	<a href="#">38103079</a>	Micro-speed 1,3Kw 220/380V		1
2	<a href="#">38103129</a>	Micro-speed 1,3Kw 415V		1
3	<a href="#">38140001</a>	Gearbox micro speed		1
4	<a href="#">38121001</a>	Brake wheel cover		1
5	<a href="#">38123001</a>	Brake cone		1
15	<a href="#">38125001</a>	Gearbox housing		1
25	<a href="#">38133001</a>	Adjustment shims		1
28	<a href="#">28123002</a>	Brake end cap with brake lining		1
29	<a href="#">28123004</a>	Brake cone		1
35	<a href="#">28122002</a>	Bearing		1
43	<a href="#">28122001</a>	Bearing cover		1

## 4) Drum / Rope



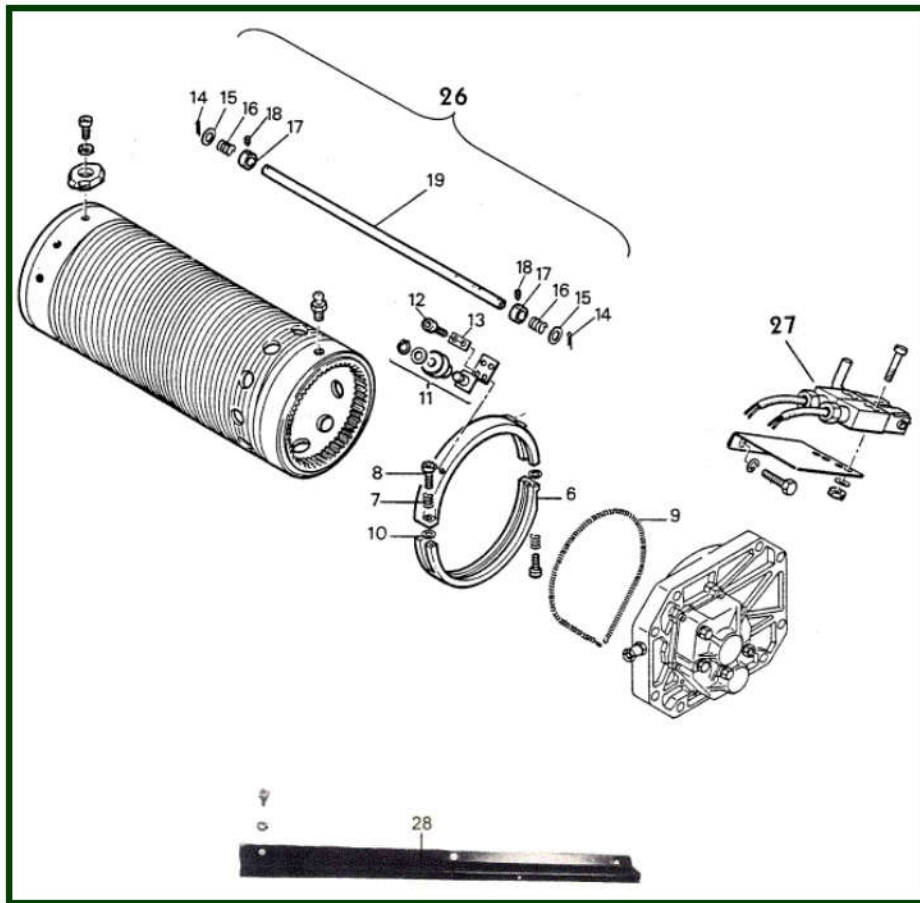
item	reference	description	observation	Quantity
1	<a href="#">32135007</a>	Rope drum for rope - Ø 10,5mm	L - 2F - pas 11,3mm Lg 770mm	1
1	<a href="#">32135008</a>	Rope drum for rope - Ø 10,5mm	SL - 2F - pas 11,3mm Lg 1210mm	1
1	<a href="#">32135009</a>	Rope drum for rope - Ø 10,5mm	UL - 2F - pas 11,3 mm Lg 1680mm	1
1	<a href="#">32135001</a>	Rope drum for rope - Ø 14mm	L - 1F - pas 15,7mm Lg 770mm - Droite/Right	1
1	<a href="#">32135004</a>	Rope drum for rope - Ø 14mm	L - 2F - pas 15,7mm Lg 770mm	1
1	<a href="#">32135002</a>	Rope drum for rope - Ø 14mm	SL - 1F - pas 15,7mm Lg 1210mm - Droite/Right	1
1	<a href="#">32135003</a>	Rope drum for rope - Ø 14mm	UL - 1F - pas 15,7mm Lg 1680mm - Droite/Right	1
1	<a href="#">32135005</a>	Rope drum for rope - Ø 15,7mm	SL - 2 F - pas de 15,7mm Lg 1210mm	1
1	<a href="#">32135006</a>	Rope drum for rope - Ø 15,7mm	UL - 2F - pas 15,7mm Lg 1680mm	1
2	<a href="#">12133001</a>	Rope anchor on drum	VS2-VS4	4
3	<a href="#">22133002</a>	Drump thrust motor		2
-	<a href="#">7312146Q</a>	Non rotating wire rope - Ø14	UL - 2/1 - Mètre / Meter	1
-	<a href="#">7322835D</a>	Preformed wire rope - Ø 14	UL - 8/1 - Mètre / Meter	1
-	<a href="#">7333140E</a>	Rope clamp - Ø 14		1

## 4.1) Precut rope

item	reference	description	observation	Quantity
-	<u>32201001</u>	Non rotating wire rope - Ø14	Lg 37,5m - 1/1	1
-	<u>32201004</u>	Non rotating wire rope - Ø14	Lg 38,5m - 2/1 - L	1
-	<u>32201002</u>	Non rotating wire rope - Ø14	Lg 65,5m - 1/1 - SL	1
-	<u>32201005</u>	Non rotating wire rope - Ø14	Lg 66m - 2/1 - SL	1
-	<u>32201003</u>	Non rotating wire rope - Ø14	Lg 95,5m - 1/1 - UL	1
-	<u>32201006</u>	Non rotating wire rope - Ø14	Lg 96m - 2/1 - UL	1
-	<u>32201007</u>	Preformed steel wire rope - Ø14	Lg 40,5m - 4/1 - L	1
-	<u>32201010</u>	Preformed steel wire rope - Ø14	Lg 42,5m - 6/1 - L	1
-	<u>32201008</u>	Preformed steel wire rope - Ø14	Lg 68m - 4/1 - SL	1
-	<u>32201011</u>	Preformed steel wire rope - Ø14	Lg 70m - 6/1 - SL	1
-	<u>32201013</u>	Preformed steel wire rope - Ø14	Lg 75,5m - 8/1 - SL	1
-	<u>32201009</u>	Preformed steel wire rope - Ø14	Lg 98m - 4/1 - UL	1
-	<u>32201012</u>	Preformed steel wire rope - Ø14	Lg 100m - 6/1 - UL	1
-	<u>32201014</u>	Preformed steel wire rope - Ø14	Lg 105,5m - 8/1 - UL	1

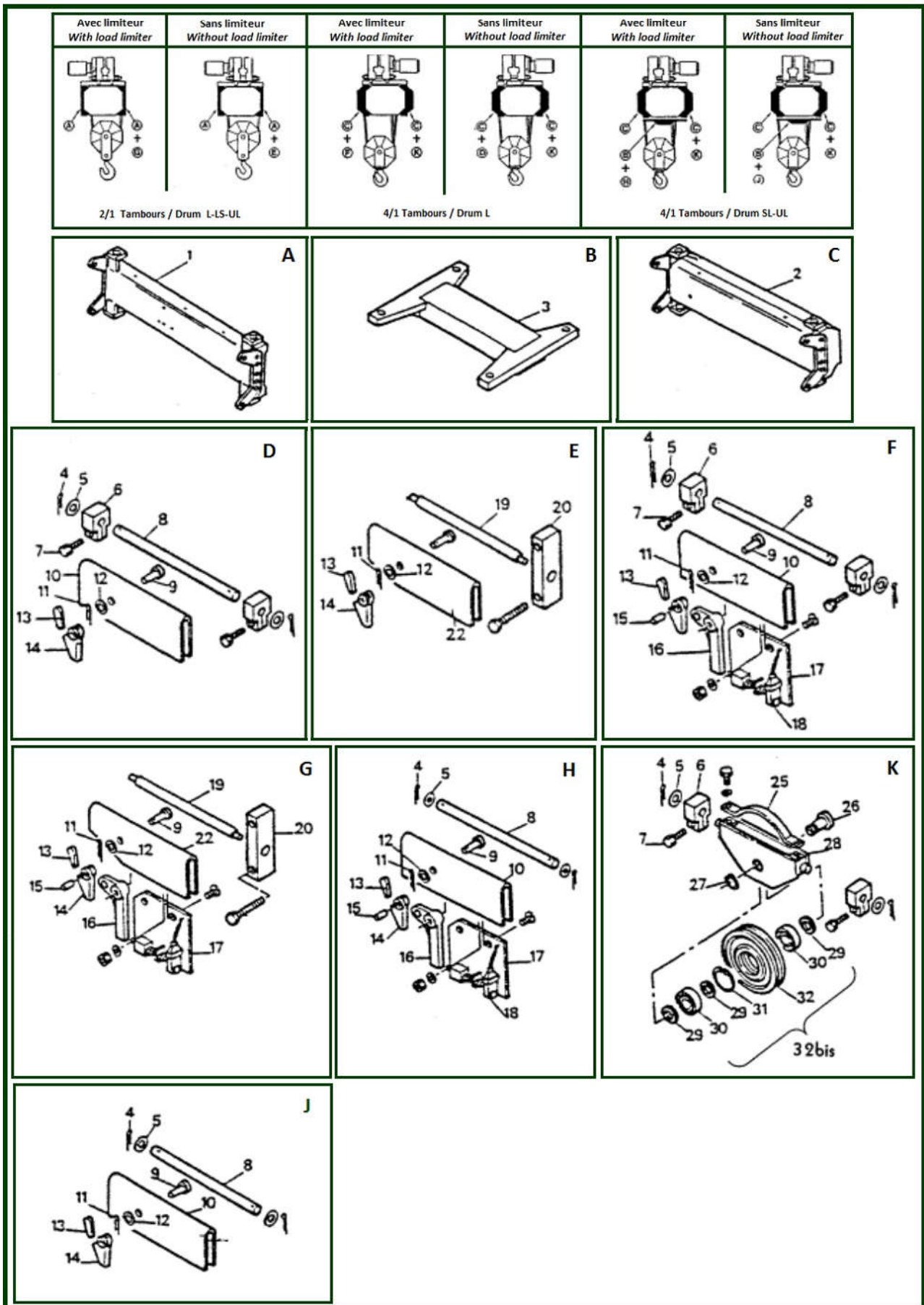


## 5) Rope guide / Limit switch



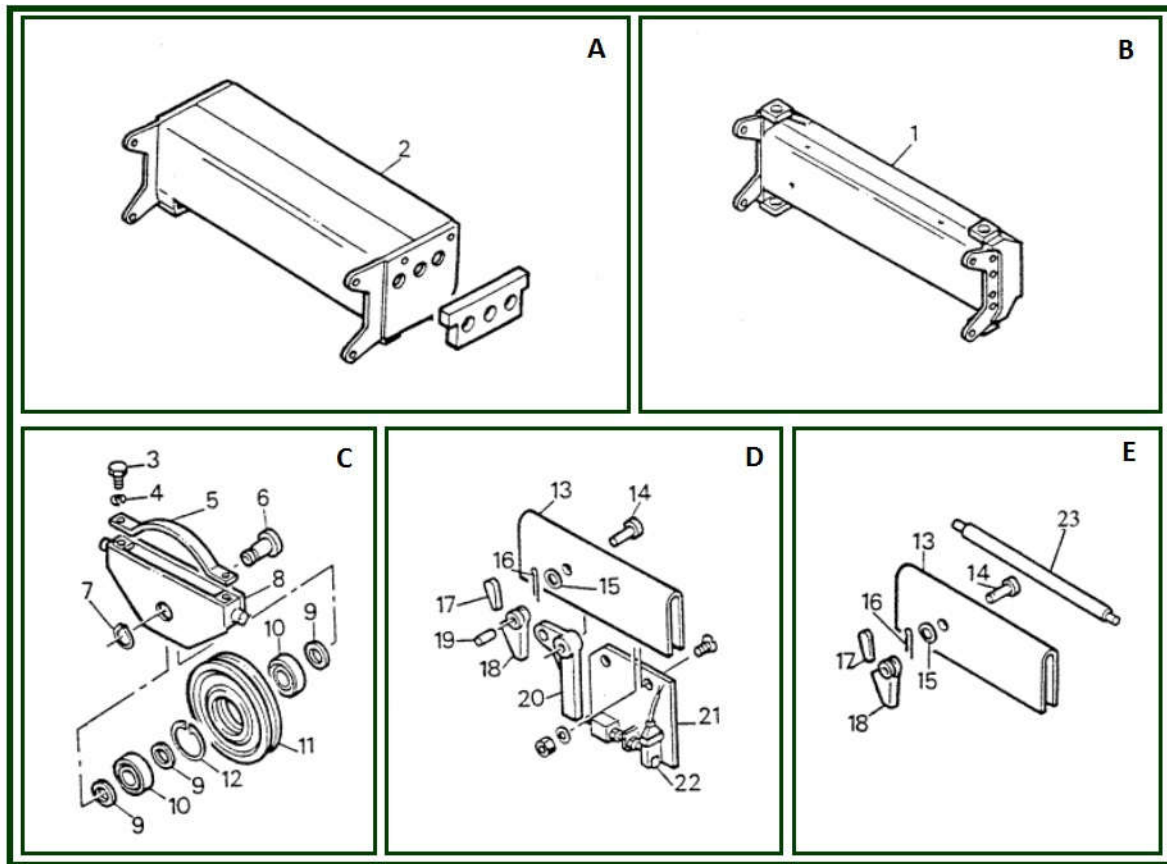
item	reference	description	observation	Quantity
6	<a href="#">32301004</a>	Rope guide left hand	Pour câble 10mm / For rope 10mm	1
6	<a href="#">32301002</a>	Rope guide left hand	Pour câble 14mm / For rope 14mm std pour/for Levage centré/True vertical lift	1
6	<a href="#">32301003</a>	Rope guide right hand	Pour câble 10mm / For rope 10mm	1
6	<a href="#">32301005</a>	Rope guide right hand	Pour câble 12mm / For rope 12mm special	1
6	<a href="#">32301001</a>	Rope guide right hand	Pour câble 14mm / For rope 14mm STD	1
7	<a href="#">32332001</a>	Spring		2
8	<a href="#">7215564E</a>	Screw CHCM 10x70		2
9	<a href="#">32332002</a>	Spring		1
10	<a href="#">7232100D</a>	Narrow Grover washer -10mm	DIN12	2
11	<a href="#">32301010</a>	Rope guide roller complete	41609	1
26	<a href="#">32503001</a>	Limit switch operating rod assembly type L	14-15-16-17-18-19	1
26	<a href="#">32503002</a>	Limit switch operating rod assembly type SL	14-15-16-17-18-19	1
26	<a href="#">32503003</a>	Limit switch operating rod assembly type UL	14-15-16-17-18-19	1
27	<a href="#">12503001</a>	Limit switch without support		1
28	<a href="#">31133001</a>	Rope guide rail drum L		1
28	<a href="#">31133002</a>	Rope guide rail drum SL		1
28	<a href="#">31133003</a>	Rope guide rail drum VL		1
-	<a href="#">7541412N</a>	Limit switch contact - Top		1

## 6) HPN 2/1 4/1



item	reference	description	observation	Quantity
1	<a href="#">31124001</a>	Frame side piece type L 2/1		2
1	<a href="#">31124002</a>	Frame side piece type SL 2/1		2
1	<a href="#">31124003</a>	Frame side piece type UL 2/1		2
2	<a href="#">31124004</a>	Frame side piece type L 4/1		2
2	<a href="#">31124005</a>	Frame side piece type SL 4/1		2
2	<a href="#">31124006</a>	Frame side piece type UL /14		2
3	<a href="#">31231001</a>	Bottom frame piece type SL 4/1		1
3	<a href="#">31231002</a>	Bottom frame piece type UL 4/1		1
4	<a href="#">7271634A</a>	Split pin		2
5	<a href="#">31217001</a>	Washer		2
6	<a href="#">31333001</a>	Support type 4/1		2
8	<a href="#">31215002</a>	Fixed point support axle L 4/1		1
8	<a href="#">31215003</a>	Fixed point support axle SL 4/1		1
8	<a href="#">31215004</a>	Fixed point support axle UL 4/1		1
9	<a href="#">5261411A</a>	Shaft	DA - Ø 12 mm	1
10	<a href="#">31224002</a>	Fixed point yoke type L 4/1		1
10	<a href="#">31224003</a>	Fixed point yoke type UL 4/1		1
11	<a href="#">7271405B</a>	Split pins	Câble / Rope Ø 11 mm	1
12	<a href="#">7231201B</a>	Flat washer		1
13	<a href="#">8536226G</a>	Wedge for cable (Æ 14)		1
14	<a href="#">8536126Y</a>	Rope attachment	Câble / Rope Ø 12 mm	1
15	<a href="#">5261451U</a>	Rope attachment axis type N-L-SL-SSL	DA - Ø 12 mm	1
16	<a href="#">5261452V</a>	Right-angled lever type N-L-SL-SSL	DA - Ø 12 mm	1
17	<a href="#">31901006</a>	Load limiter complete	HPN 2/1	1
17	<a href="#">31901001</a>	Load limiter complete	HPN 4/1-HPR-	1
17	<a href="#">31901007</a>	Load limiter mechanism plate	HPN 2/1	1
17	<a href="#">31901004</a>	Load limiter mechanism plate	HPN 4/1-HPR-	1
18	<a href="#">7545111H</a>	Load limiter electrical contact	Avant fin/Before end 1991	1
19	<a href="#">31216001</a>	Fixed point support axle type 2/1		1
20	<a href="#">31233001</a>	Supporting plate type 2/1		1
22	<a href="#">31224001</a>	Fixed point yoke type 2/1		1
25	<a href="#">31333003</a>	Hoop piece		1
26	<a href="#">31316001</a>	Pulley spindle		1
27	<a href="#">7262050H</a>	Exterior circlip		1
28	<a href="#">31324001</a>	Return yoke		1
29	<a href="#">33417002</a>	Spacer collar		3
30	<a href="#">7412101G</a>	Bearing	Après / After 06 / 83	2
31	<a href="#">7261090Q</a>	Interior circlip		1
32	<a href="#">33412001</a>	Pulley		1
32bis	<a href="#">31303002</a>	Return pulley complete	29+30+31	1
-	<a href="#">7545112J</a>	Switch	Avant fin/Before end 1991	1

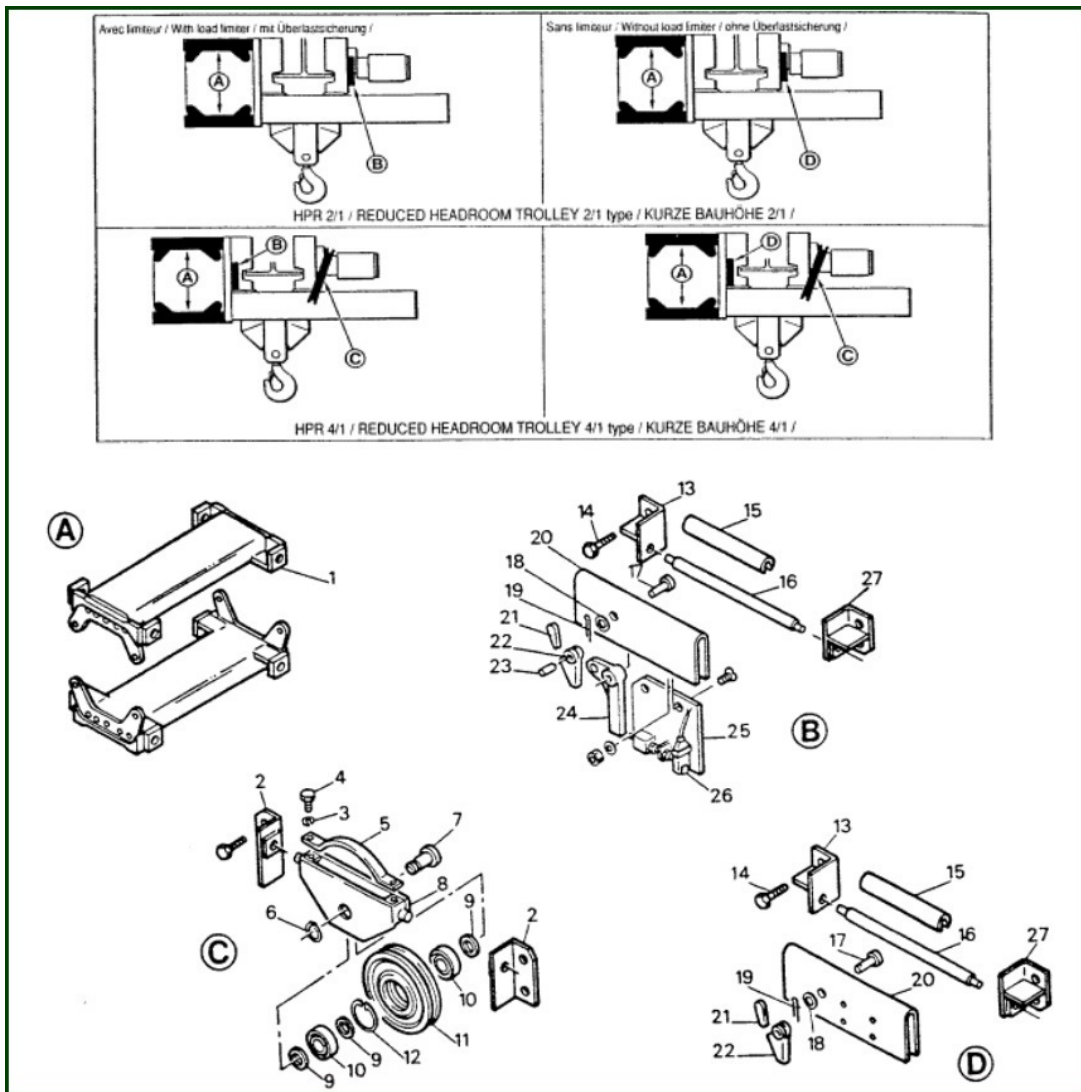
## 7) HPN 6/1



item	reference	description	observation	Quantity
1	<a href="#">31124007</a>	Frame side piece type UL 6/1		1
2	<a href="#">31124004</a>	Frame side piece type L 4/1		2
2	<a href="#">31124005</a>	Frame side piece type SL 4/1		2
2	<a href="#">31124003</a>	Frame side piece type UL 2/1		1
3	<a href="#">7211554W</a>	HM screw 10 x 20		2
3	<a href="#">7211553W</a>	L and SL type screw		2
4	<a href="#">7232100D</a>	Narrow Grover washer -10mm	DIN12	2
5	<a href="#">31333003</a>	Hoop piece		1
5	<a href="#">31333004</a>	L and SL type hood piece		1
6	<a href="#">31316001</a>	Pulley spindle		1
7	<a href="#">7262050H</a>	Exterior circlip		1
7	<a href="#">7262070E</a>	L and SL type circlips exterior		1
8	<a href="#">31324002</a>	L and SL return yoke		1
8	<a href="#">31324001</a>	Return yoke		1
9	<a href="#">33617001</a>	L and SL spacer collar		3
9	<a href="#">33417002</a>	Spacer collar		3
10	<a href="#">7412101G</a>	Bearing	Après / After 06 / 83	2
10	<a href="#">7412142B</a>	L and SL bearing		2
11	<a href="#">33612001</a>	L and SL type pulley		1
11	<a href="#">33412001</a>	Pulley		1
12	<a href="#">7261125C</a>	Circlips Ø 125		1
12	<a href="#">7261090Q</a>	Interior circlip		1
13	<a href="#">31224005</a>	L type fixed point yoke		1
13	<a href="#">31224006</a>	SL type fixed point yoke		1
13	<a href="#">31224007</a>	UL type fixed point yoke		1
14	<a href="#">5261411A</a>	Shaft	DA - Ø 12 mm	1
15	<a href="#">7231201B</a>	Flat washer		1
16	<a href="#">7271405B</a>	Split pins	Câble / Rope Ø 11 mm	1

17	<u>8536226G</u>	Wedge for cable (Æ 14)		1
18	<u>8536126Y</u>	Rope attachment	Câble / Rope Ø 12 mm	1
19	<u>5261451U</u>	Rope attachment axis type N-L-SL-SSL	DA - Ø 12 mm	1
19+20+21	<u>31901001</u>	Load limiter complete	HPN 4/1-HPR-	1
20	<u>5261452V</u>	Right-angled lever type N-L-SL-SSL	DA - Ø 12 mm	1
21	<u>31901004</u>	Load limiter mechanism plate	HPN 4/1-HPR-	1
21	<u>31901005</u>	Load limiter plate	L	1
22	<u>7545111H</u>	Load limiter electrical contact	Avant fin/Before end 1991	1
23	<u>31216003</u>	Fixed point support axle L		1
23	<u>31216004</u>	Fixed point support axle SL		1
23	<u>31216005</u>	Fixed point support axle UL		1
-	<u>31901002</u>	Load limiter complete	L	1

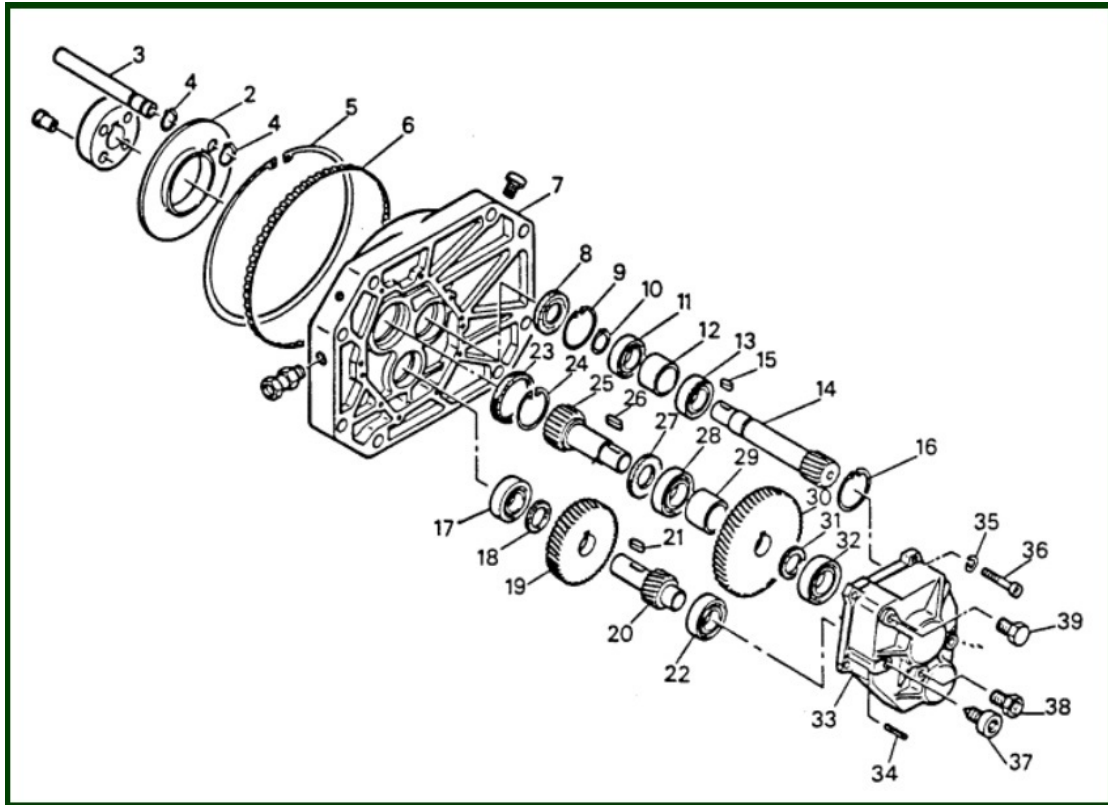
## 8) HPR 2/1 4/1



item	reference	description	observation	Quantity
1	<a href="#">31124001</a>	Frame side piece type L 2/1		2
1	<a href="#">31124002</a>	Frame side piece type SL 2/1		2
1	<a href="#">31124003</a>	Frame side piece type UL 2/1		2
2	<a href="#">31333002</a>	Return support		2
3	<a href="#">7232100D</a>	Narrow Grover washer -10mm	DIN12	2
4	<a href="#">7211554W</a>	HM screw 10 x 20		2
5	<a href="#">31333003</a>	Hoop piece		1
6	<a href="#">7262050H</a>	Exterior circlip		1
7	<a href="#">31316001</a>	Pulley spindle		1
8	<a href="#">31324001</a>	Return yoke		1
9	<a href="#">33417002</a>	Spacer collar		3
10	<a href="#">7412101G</a>	Bearing	Après / After 06 / 83	2
11	<a href="#">33412001</a>	Pulley		1
12	<a href="#">7261090Q</a>	Interior circlip		1
13	<a href="#">31233003</a>	Left hand support		1
15	<a href="#">31215001</a>	Supporting sleeve for 4/1		1
16	<a href="#">31216002</a>	Fixed point spacer		1
17	<a href="#">5261411A</a>	Shaft	DA - Ø 12 mm	1
18	<a href="#">7231201B</a>	Flat washer		1
19	<a href="#">7271405B</a>	Split pins	Câble / Rope Ø 11 mm	1
20	<a href="#">31224003</a>	Fixed point yoke type UL 4/1		1

21	<u>8536226G</u>	Wedge for cable (Æ 14)		1
22	<u>8536126Y</u>	Rope attachment	Câble / Rope Ø 12 mm	1
23	<u>5261451U</u>	Rope attachment axis type N-L-SL-SSL	DA - Ø 12 mm	1
24	<u>5261452V</u>	Right-angled lever type N-L-SL-SSL	DA - Ø 12 mm	1
25	<u>31926007</u>	Load limiter mechanism plate	40545	1
25	<u>31926004</u>	Load limiter mechanism plate	40547	1
26	<u>7545111H</u>	Load limiter electrical contact	Avant fin/Before end 1991	1
27	<u>31233002</u>	Right hand support		1

## 9) Hoisting gearbox

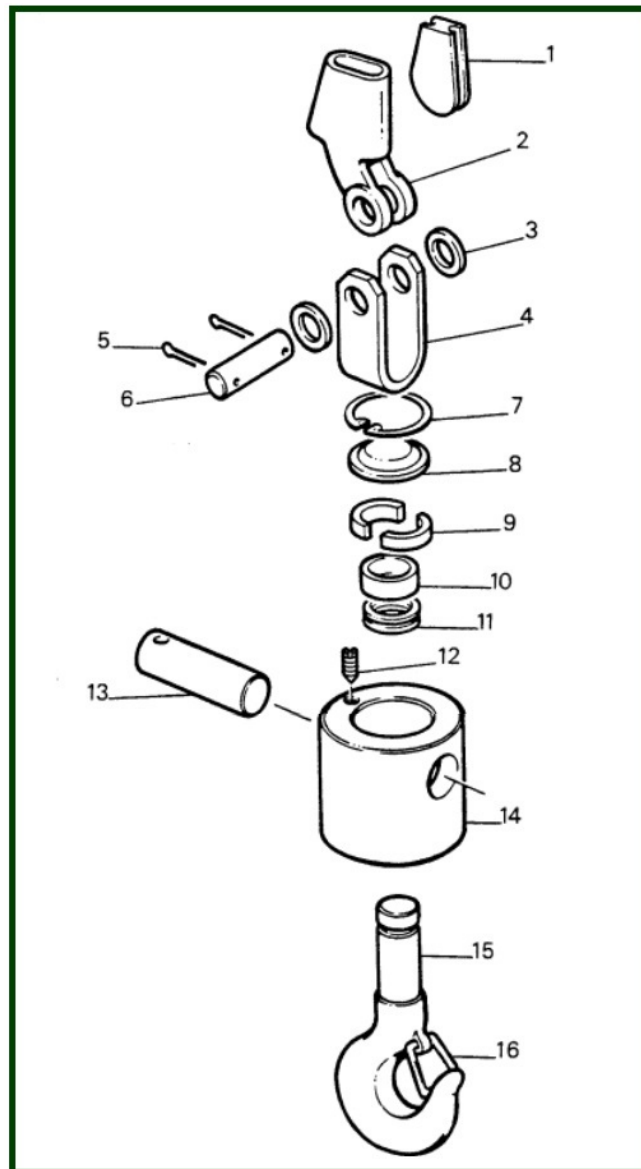


item	reference	description	observation	Quantity
2	<a href="#">34014002</a>	Deflector		1
3	<a href="#">34035001</a>	Protective tube		1
4	<a href="#">7263028W</a>	Exterior circlip		2
5	<a href="#">31117001</a>	Circlip		1
6	<a href="#">31111001</a>	Bearing		1
7	<a href="#">31125001</a>	Gearbox end-plate		1
8	<a href="#">1432</a>	Seal	DIN 3760 25X52X7	1
9	<a href="#">7261052Y</a>	Internal circlip	Ø 52	1
10	<a href="#">7262025F</a>	Exterior circlip	Ø 25	1
11	<a href="#">7425050G</a>	Bearing		1
12	<a href="#">34017005</a>	Ring for gearbox 16m/mn		1
12	<a href="#">34017004</a>	Ring for gearbox 20m/mn		1
12	<a href="#">34017006</a>	Ring for gearbox 25 and 32m/mn		1
13	<a href="#">7425050G</a>	Bearing		1
14	<a href="#">34020003</a>	Primary gearbox shaft 11 teeth	16m/mn	1
14	<a href="#">34020002</a>	Primary gearbox shaft 12 teeth	20m/mn	1
14	<a href="#">34020004</a>	Primary gearbox shaft 14 teeth	25m/mn	1
14	<a href="#">34020005</a>	Primary gearbox shaft 16 teeth	32m/mn	1
15	<a href="#">7282464N</a>	Key		1
16	<a href="#">7261052Y</a>	Internal circlip	Ø 52	1
17	<a href="#">7412070Y</a>	Bearing		1
18	<a href="#">34017007</a>	Ring for gearbox 16 & 25m/mn		1
19	<a href="#">34019006</a>	Geared wheel for gearbox 55 teeth	32m/mn	1
19	<a href="#">34019003</a>	Geared wheel for gearbox 57 teeth	25m/mn	1
19	<a href="#">34019004</a>	Geared wheel for gearbox 59 teeth	20m/mn	1
19	<a href="#">34019005</a>	Geared wheel for gearbox 60 teeth	16m/mn	1
20	<a href="#">34020007</a>	Axle for gearbox pinion 13 teeth	25/16m/mn	1
20	<a href="#">34020006</a>	Axle for gearbox pinion 14 teeth	32/20m/mn	1
21	<a href="#">7282120Y</a>	Key	20-25 & 32m/mn	1
21	<a href="#">7282102D</a>	Key		1
22	<a href="#">7412070Y</a>	Bearing		1



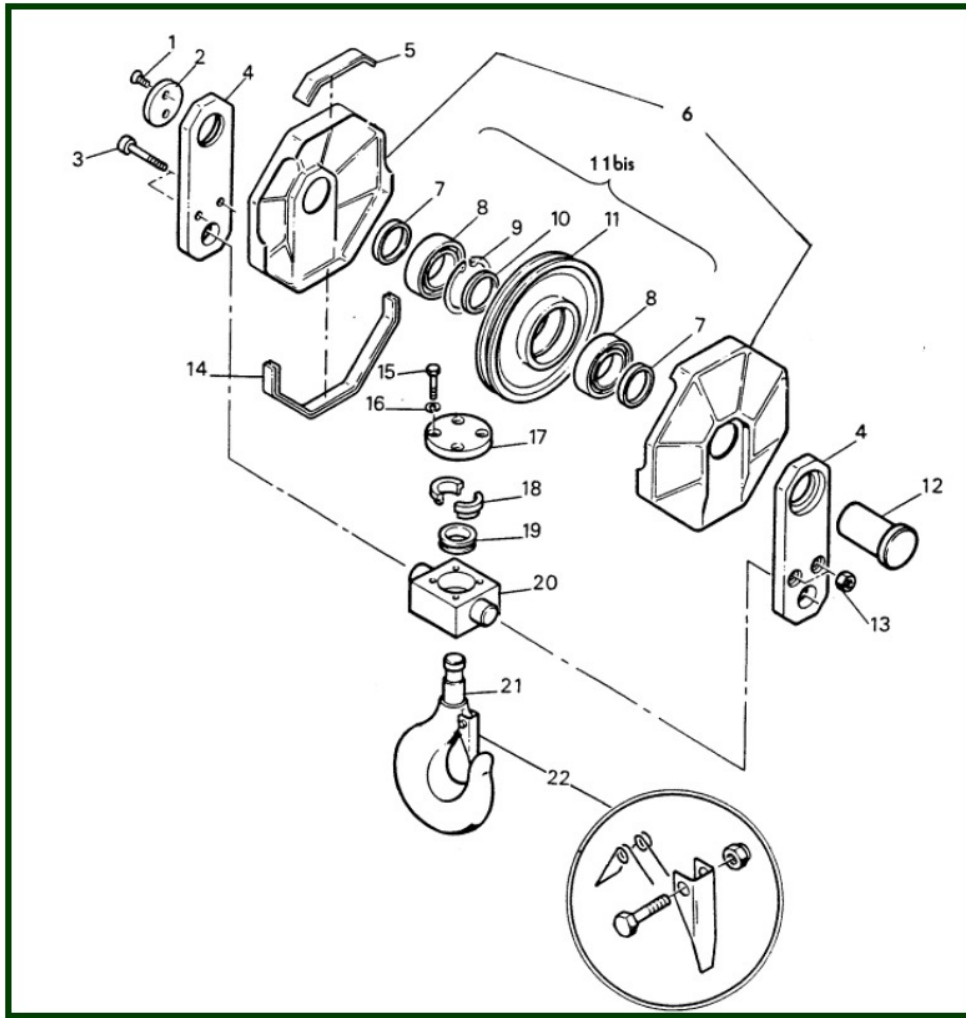
23	<u>2422</u>	Seal		1
24	<u>7261110L</u>	Interior circlip 110	DA-RD	1
25	<u>34020001</u>	Axle for pinion 15 teeth		1
26	<u>7282140Y</u>	Key		1
27	<u>34017003</u>	Spacer		1
28	<u>7425120H</u>	Ball bearing - Bore 60	Avant / Before 1980	1
29	<u>34017002</u>	Spacer		1
30	<u>34019001</u>	Geared wheel for gearbox 51teeth	20 & 32m/mn	1
30	<u>34019002</u>	Geared wheel for gearbox 52 teeth	16 & 25m/mn	1
31	<u>34017001</u>	Spacer collar		1
32	<u>7413100T</u>	Ball bearing - Bore 50 for 5000Kg		1
33	<u>34014001</u>	Gearbox cover		1
33a	<u>2984</u>	Paper gasket		1
34	<u>7273356Y</u>	Split pin		2
35	<u>7232080G</u>	GROWER washer - Ø 8		8
36	<u>7215455L</u>	CHC screw 8 x 25	25 x 25	8
37	<u>5218</u>	Breather screw plug		1
38	<u>1448</u>	Oil-level plug 1/8"		1
38	<u>1449</u>	Oil-level plug 3/8"		2
39	<u>5220</u>	Magnetized plug		1

## 10) Hook block - 1 fall



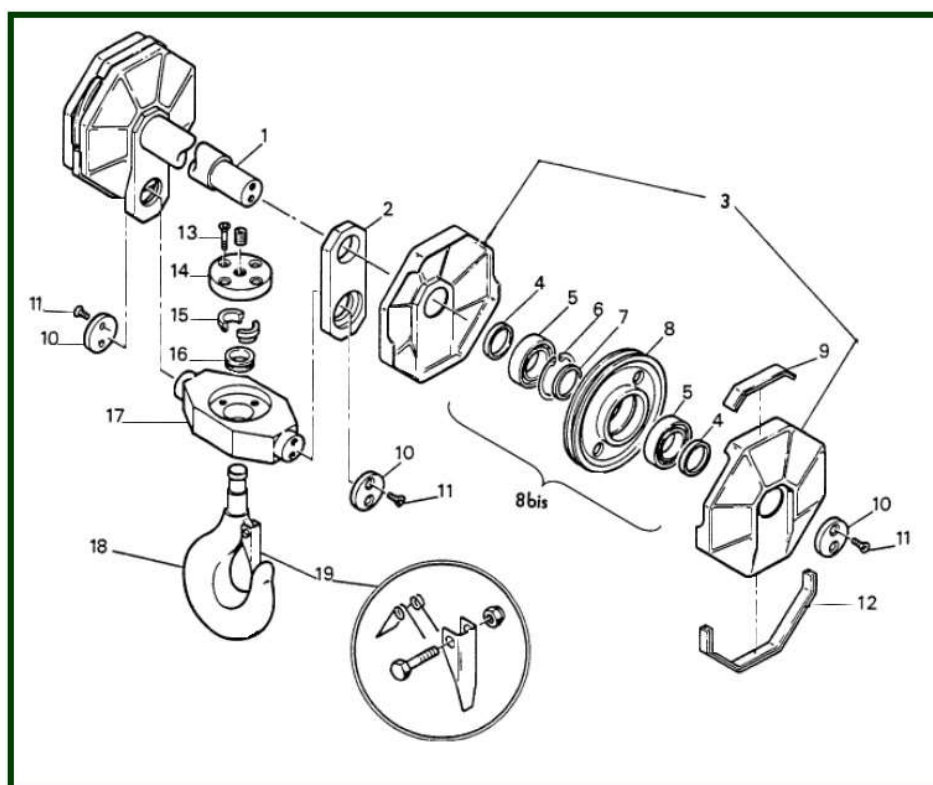
item	reference	description	observation	Quantity
1	<a href="#">8536226G</a>	Wedge for cable (Æ 14)		1
2	<a href="#">8536126Y</a>	Rope attachment	Câble / Rope Ø 12 mm	1
3	<a href="#">7231162J</a>	Plate washer	Câble / Rope Ø 11 mm	2
4	<a href="#">5263311R</a>	Stirrup	Câble / Rope Ø 12 mm	1
5	<a href="#">7271405B</a>	Split pins	Câble / Rope Ø 11 mm	2
6	<a href="#">5263312S</a>	Rope attachment axle	Câble / Rope Ø 12 mm	1
7	<a href="#">7261080D</a>	Internal circlip - Ø 80		1
8	<a href="#">5233615N</a>	Cap	Câble / Rope Ø 11 & 12 mm	1
9	<a href="#">5233613K</a>	Half segment ring	Câble / Rope Ø 11 & 12 mm	1
10	<a href="#">5233612J</a>	Cylindrical dish	Câble / Rope Ø 11 & 12 mm	1
11	<a href="#">7431062S</a>	Thrust bearing		1
12	<a href="#">7217434N</a>	Pointed screw	Câble / Rope Ø 11 & 12 mm	1
13	<a href="#">5233302X</a>	Axle	Câble / Rope Ø 11 & 12 mm	1
14	<a href="#">5233301W</a>	Washer	Câble / Rope Ø 11 & 12 mm	1
15	<a href="#">5233610G</a>	Hook with safety catch		1
16	<a href="#">SR32F</a>	Safety catch (wire)	Câble / Rope Ø 11 & 12 mm	1
16	<a href="#">13203003</a>	Safety-latch	Lot de /set of 5 pièces	1
-	<a href="#">3263310J</a>	1 fall hook assembly		1
-	<a href="#">7333140E</a>	Rope clamp - Ø 14		1
-	<a href="#">8536228J</a>	Rope wedge	Câble / Rope Ø 11 mm - DA	1

## 11) Hook block - 2 falls



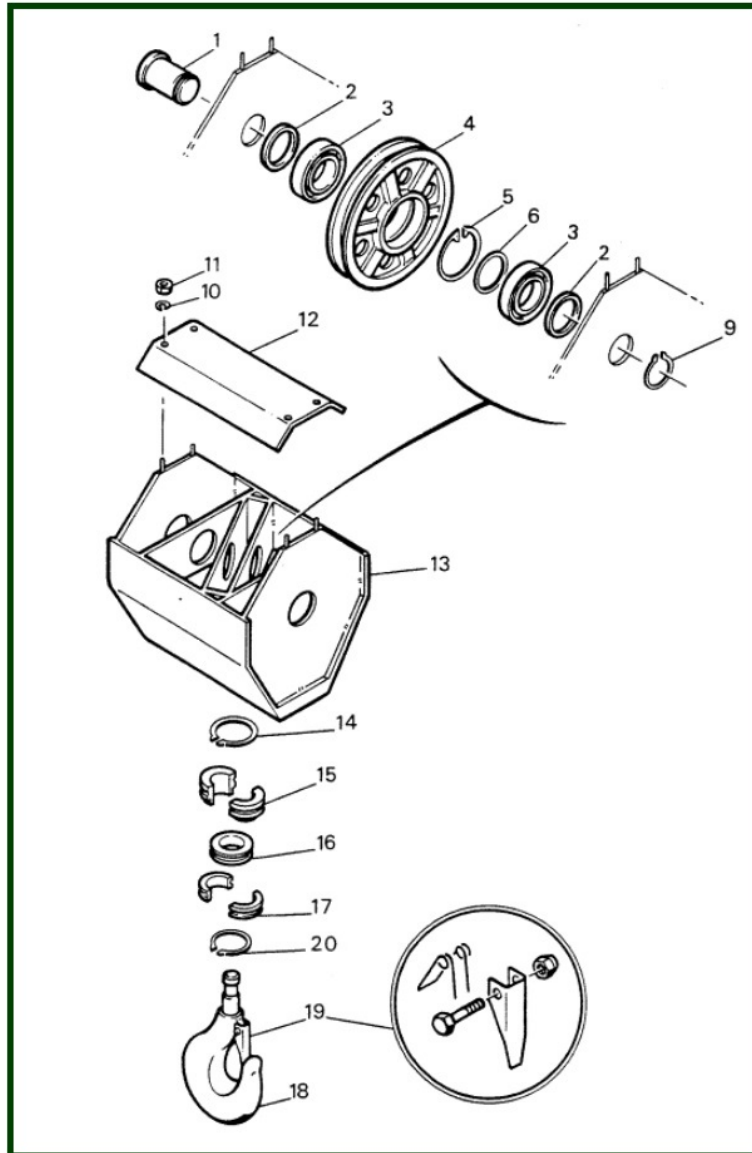
item	reference	description	observation	Quantity
1	<a href="#">7216466U</a>	Screw		2
2	<a href="#">33217001</a>	Retaining washer		1
3	<a href="#">7215470C</a>	Screw		2
4	<a href="#">33225001</a>	Bottom block support piece		2
6	<a href="#">33203001</a>			1
7	<a href="#">33417001</a>	Spacer		1
8	<a href="#">7412101G</a>	Bearing	Après / After 06 / 83	1
9	<a href="#">400080</a>	Retaining ring for bore - Ø 90x3		1
10	<a href="#">33417002</a>	Spacer collar		0
11	<a href="#">33412001</a>	Pulley		1
11bis	<a href="#">33203002</a>	Complete pulley		1
12	<a href="#">33216001</a>	Pulley axle		1
13	<a href="#">7221080A</a>	HM nut (8)		2
15	<a href="#">7211352B</a>	Screw		4
16	<a href="#">7232060K</a>	Washer M6	Standard	4
17	<a href="#">33234001</a>	Bearing cover		1
18	<a href="#">23417003</a>	Two part collar		1
19	<a href="#">7431072C</a>	Thrust bearing		1
20	<a href="#">33231001</a>	Bottom block cross-piece		1
21	<a href="#">23413001</a>	Hook with safety latch		1
22	<a href="#">23233001</a>	Safety catch		1
22	<a href="#">33233003</a>	Safety catch N°2.5		1
-	<a href="#">33201001</a>	Complete hook block - 2 falls		1

## 12) Hook block - 4 falls



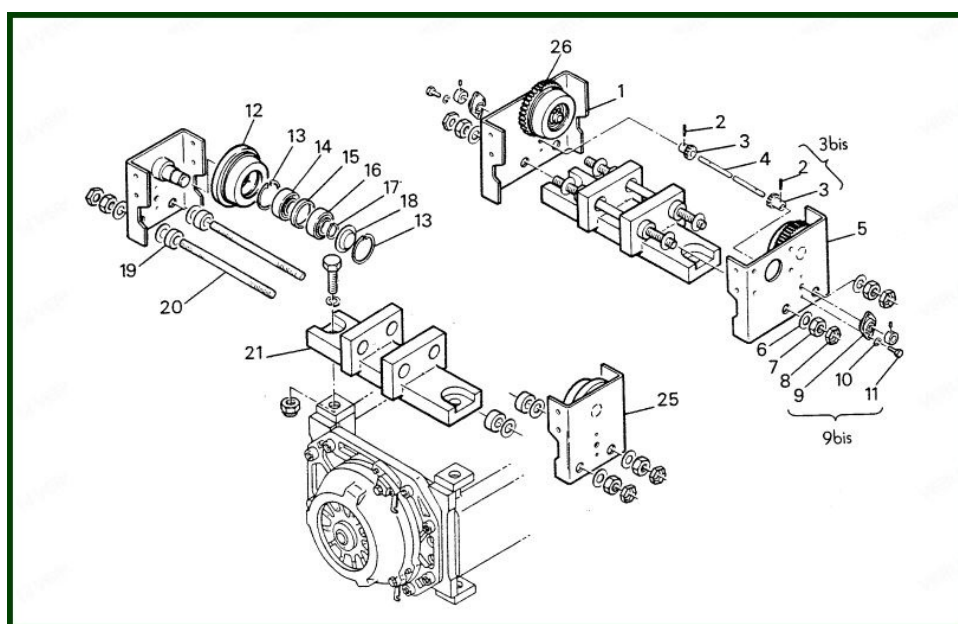
item	reference	description	observation	Quantity
1	<a href="#">33416001</a>	Pulley axle		1
2	<a href="#">33425001</a>	Bottom block support piece		2
3	<a href="#">33203001</a>			2
4	<a href="#">33417001</a>	Spacer		2
5	<a href="#">7412101G</a>	Bearing	Après / After 06 / 83	2
6	<a href="#">400080</a>	Retaining ring for bore - Ø 90x3		1
7	<a href="#">33417002</a>	Spacer collar		1
8	<a href="#">33412001</a>	Pulley		2
8bis	<a href="#">33203002</a>	Complete pulley		1
10	<a href="#">33217001</a>	Retaining washer		4
11 & 13	<a href="#">7216466U</a>	Screw		8
14	<a href="#">33434001</a>	Bearing cover		1
15	<a href="#">33417003</a>	Two-part collar		1
16	<a href="#">7431093A</a>	Thrust bearing		1
17	<a href="#">33431001</a>	Bottom block cross		1
18	<a href="#">33413001</a>	Hook with safety catch		1
19	<a href="#">23233001</a>	Safety catch		1
19	<a href="#">33433003</a>	Safety latch n°4		1
	<a href="#">33401001</a>	Complete hook block - 4 falls		1

### 13) Hook block - 6 falls



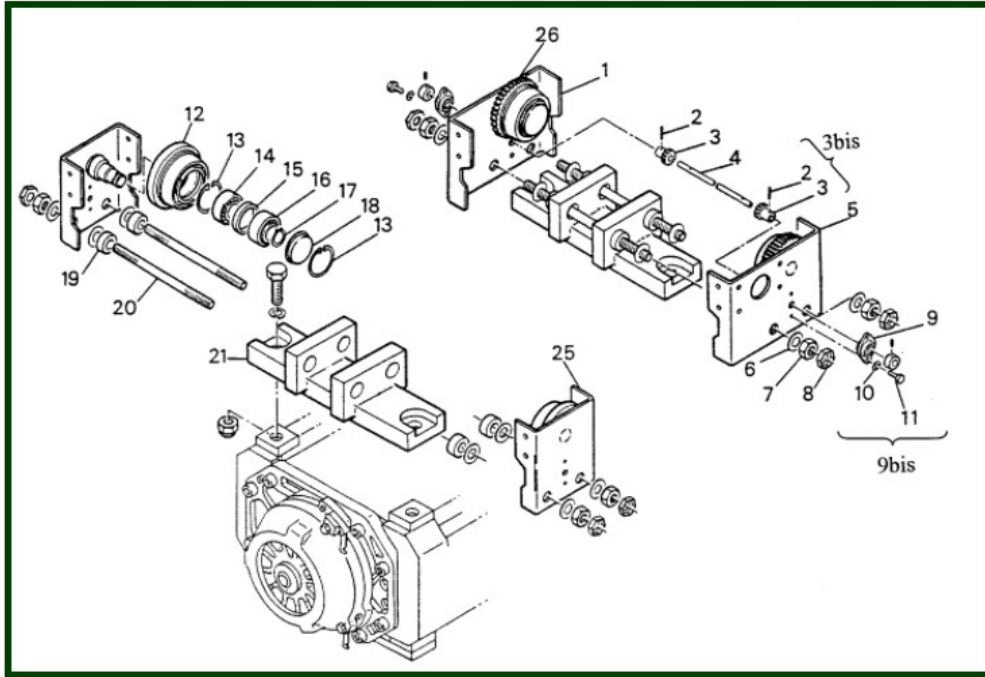
item	reference	description	observation	Quantity
1	<a href="#">33616001</a>	Pulley axle		1
2	<a href="#">33617002</a>	Spacer		6
3	<a href="#">7412142B</a>	L and SL bearing		6
4	<a href="#">33612001</a>	L and SL type pulley		3
5	<a href="#">7261125C</a>	Circlips Ø 125		3
6	<a href="#">33617001</a>	L and SL spacer collar		3
9	<a href="#">7262070E</a>	L and SL type circlips exterior		3
10	<a href="#">7232080G</a>	GROWER washer - Ø 8		4
11	<a href="#">7221080A</a>	HM nut (8)		4
12	<a href="#">33614001</a>	Bottom block body cover		1
13	<a href="#">33610001</a>	Bottom block cover		1
14	<a href="#">7262070E</a>	L and SL type circlips exterior		1
15	<a href="#">33617003</a>	Set collar		1
16	<a href="#">7431103L</a>	Thrust bearing		1
17	<a href="#">33617004</a>	Two part collar		1
18	<a href="#">33613001</a>	Hook with safety catch		1
19	<a href="#">33633001</a>	Safety catch		1
20	<a href="#">7262095G</a>	Exterior circlip		1
-	<a href="#">33601001</a>	Complete hook block - 6 falls		1

## 14) Standard headroom monorail trolley 2/1



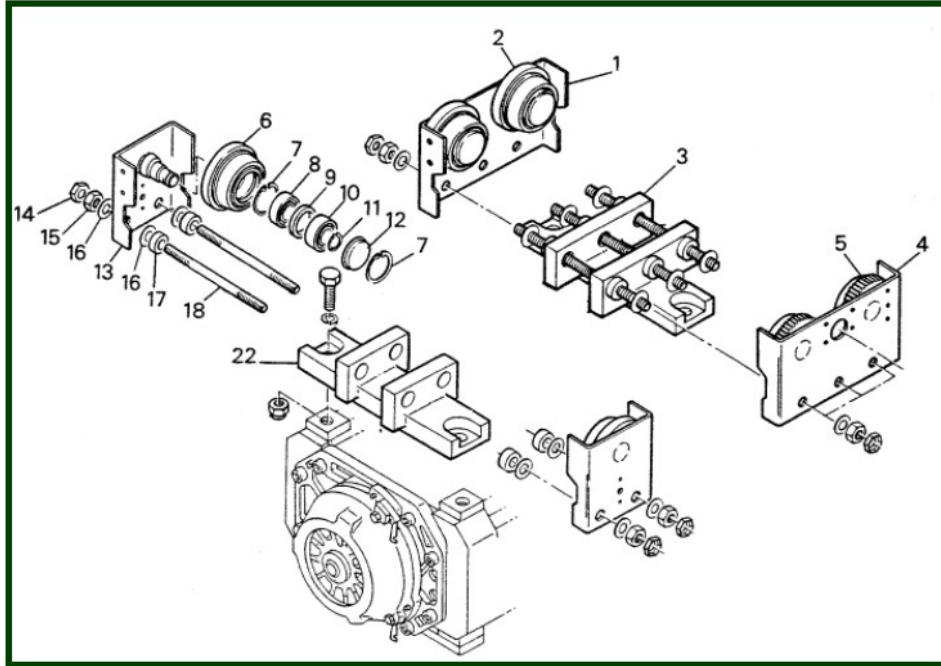
item	reference	description	observation	Quantity
1	<a href="#">3541114N</a>	Ung geared side plate with fittings - Driven runner	Depuis/Since 01/1986	1
2	<a href="#">7273356X</a>	MECANINDUS 6 x 30 pin		2
3	<a href="#">5833520H</a>	Intermediate pinion	20 Dts / 20 th	2
3bis	<a href="#">25003001</a>	Set of 2 pinions and pins	2+3	1
4	<a href="#">25015001</a>	Jackshaft	Fer 90 to 150 - Lg 340 mm	1
4	<a href="#">25015002</a>	Jackshaft	Fer 151 to 200 - Lg 390 mm	1
4	<a href="#">25015003</a>	Jackshaft	Fer 201 to 250 - Lg 440 mm	1
4	<a href="#">25015004</a>	Jackshaft	Fer 252 to 300 - Lg 490 mm	1
5	<a href="#">3541313D</a>	Geared side plate with fittings - Left end carriage	Depuis/Since 01/1986	1
6	<a href="#">7153629J</a>	Adjustment washer	Ep. / th 2mm	24
6	<a href="#">7153639V</a>	Adjustment washer	Ep. / th 3 mm	80
7	<a href="#">7221360E</a>	Nut		8
8	<a href="#">7223360D</a>	PAL nut		8
9	<a href="#">7447100Z</a>	Bearing PFT		2
9bis	<a href="#">25003003</a>	Set of 1 shaft bearing with screw and washer	2+3+4+5	2
12	<a href="#">4541111R</a>	Idler runner with fittings without axle		2
13	<a href="#">7261080D</a>	Internal circlip - Ø 80		8
14	<a href="#">7412081K</a>	Bearing		4
15	<a href="#">5441152W</a>	Collar		4
16	<a href="#">7413070K</a>	Bearing		4
17	<a href="#">7262035S</a>	Circlip - Ø 35		4
18	<a href="#">5233615N</a>	Cap	Câble / Rope Ø 11 & 12 mm	4
19	<a href="#">5442116U</a>	Collar	ép. /th. 25mm	8
19	<a href="#">5442117V</a>	Collar	ép. /th. 50mm	8
20	<a href="#">5442102D</a>	Spacer	Lg 370mm	4
20	<a href="#">5452102Y</a>	Spacer	Lg 440mm	4
20	<a href="#">5452106C</a>	Spacer	Lg 540mm	4
21	<a href="#">25031004</a>	Washer	4/1 (5 et 6,3T)	2
25	<a href="#">3541113L</a>	Ung geared side plate with fittings	Depuis/Since 01/1986	2
26	<a href="#">4541311H</a>	Geared wheel with fittings without axle		2
-	<a href="#">3553210K</a>	Chain drive HPN		1
-	<a href="#">5441351V</a>	Geared wheel only		1
-	<a href="#">5441151V</a>	Idler runner without fittings with axle	Ø 150 x 186	1
-	<a href="#">25002070</a>	Shaft set	Lg 45 mm	1

## 15) Standard headroom monorail trolley 4/1



item	reference	description	observation	Quantity
1	<a href="#">3551313Y</a>	Geared side plate with fitting	Sommier droit / Right end carriage	1
2	<a href="#">7273356X</a>	MECANINDUS 6 x 30 pin		2
3	<a href="#">5833520H</a>	Intermediate pinion	20 Dts / 20 th	2
3bis	<a href="#">25003001</a>	Set of 2 pinions and pins	2+3	1
4	<a href="#">35015002</a>	Jackshaft länge=450mm		1
4	<a href="#">35015004</a>	Jackshaft länge=530mm		1
4	<a href="#">35015001</a>	Shaft	L 400 mm	1
4	<a href="#">35015003</a>	Shaft	L 500 mm	1
5	<a href="#">3551312X</a>	Geared side plate complete		1
6	<a href="#">7153629J</a>	Adjustment washer	Ep. / th 2mm	24
6	<a href="#">7153639V</a>	Adjustment washer	Ep. / th 3 mm	80
7	<a href="#">7221360E</a>	Nut		8
8	<a href="#">7223360D</a>	PAL nut		8
9	<a href="#">7447100Z</a>	Bearing PFT		2
9bis	<a href="#">25003003</a>	Set of 1 shaft bearing with screw and washer	2+3+4+5	2
12	<a href="#">5441151V</a>	Idler runner without fittings with axle	Ø 150 x 186	1
12	<a href="#">4551111K</a>	Travel wheel		2
13	<a href="#">7261090Q</a>	Interior circlip		8
14	<a href="#">7412101G</a>	Bearing	Après / After 06 / 83	4
15	<a href="#">5451155U</a>	Collar 82 x 89 x 12		4
16	<a href="#">7424080C</a>	Bearing		4
17	<a href="#">7262040X</a>	Exterior circlip		4
18	<a href="#">5243615G</a>	Cap		4
19	<a href="#">5442116U</a>	Collar	ép. /th. 25mm	8
19	<a href="#">5442117V</a>	Collar	ép. /th. 50mm	8
20	<a href="#">5442102D</a>	Spacer	Lg 370mm	4
20	<a href="#">5452102Y</a>	Spacer	Lg 440mm	4
20	<a href="#">5452106C</a>	Spacer	Lg 540mm	4
21	<a href="#">35031002</a>	Type L crosshead		2
21	<a href="#">35031003</a>	Type SL and UL crosshead		2
25	<a href="#">3551113F</a>	Ungeared side plate		2
26	<a href="#">4551311B</a>	Wheel motor		2
-	<a href="#">3553210K</a>	Chain drive HPN		1
-	<a href="#">5441351V</a>	Geared wheel only		1
-	<a href="#">25002070</a>	Shaft set	Lg 45 mm	1

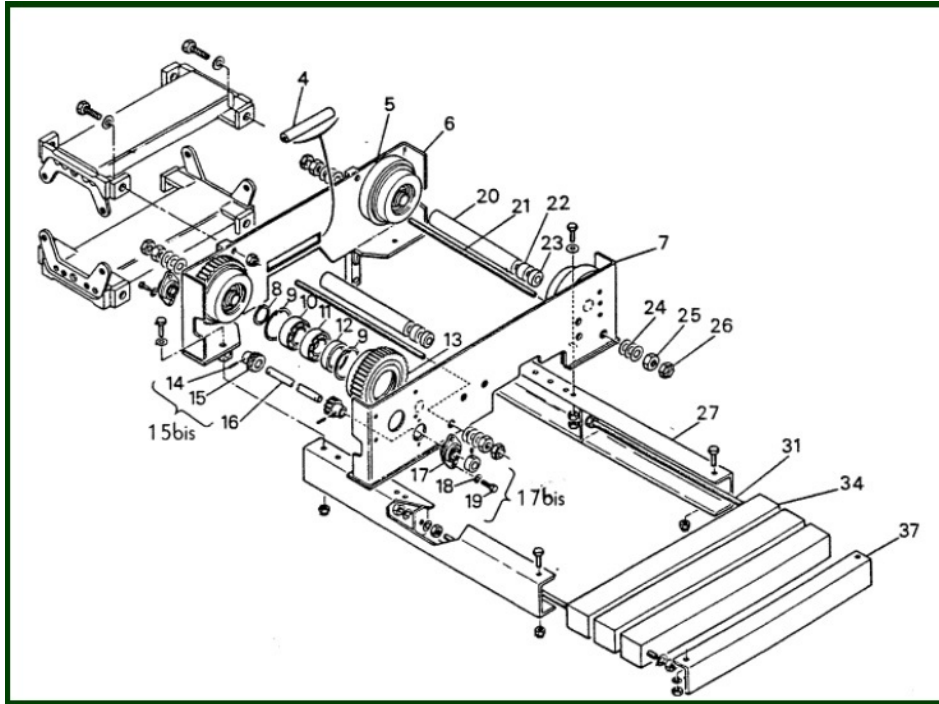
## 16) Standard headroom monorail trolley 6/1



item	reference	description	observation	Quantity
2	<a href="#">4551111K</a>	Travel wheel		2
3	<a href="#">35031005</a>	Crosshead		3
5	<a href="#">5451351G</a>	Geared wheel only	180 x 216	5
5	<a href="#">4551311B</a>	Wheel motor		5
6	<a href="#">5451151Q</a>	Idler runner without fittings with axle	180 x 216	6
7	<a href="#">7261090Q</a>	Interior circlip		7
8	<a href="#">7424080C</a>	Bearing		8
9	<a href="#">5451155U</a>	Collar 82 x 89 x 12		9
10	<a href="#">7412101G</a>	Bearing	Après / After 06 / 83	10
11	<a href="#">7262040X</a>	Exterior circlip		11
12	<a href="#">5243615G</a>	Cap		12
13	<a href="#">3551113F</a>	Ungeared side plate		13
13	<a href="#">5551113U</a>	Ungeared side plate without fittings		2
14	<a href="#">7223360D</a>	PAL nut		10
15	<a href="#">7221360E</a>	Nut		10
16	<a href="#">7153629J</a>	Adjustment washer	Ep. / th 2mm	1
16	<a href="#">7153639V</a>	Adjustment washer	Ep. / th 3 mm	1
17	<a href="#">5442116U</a>	Collar	ép. /th. 25mm	1
17	<a href="#">5442117V</a>	Collar	ép. /th. 50mm	1
18	<a href="#">5442102D</a>	Spacer	Lg 370mm	5
18	<a href="#">5452102Y</a>	Spacer	Lg 440mm	5
18	<a href="#">5452106C</a>	Spacer	Lg 540mm	5
22	<a href="#">35031004</a>	Crosshead		1
-	<a href="#">2500207I</a>	Shaft set	Lg 62 mm	1



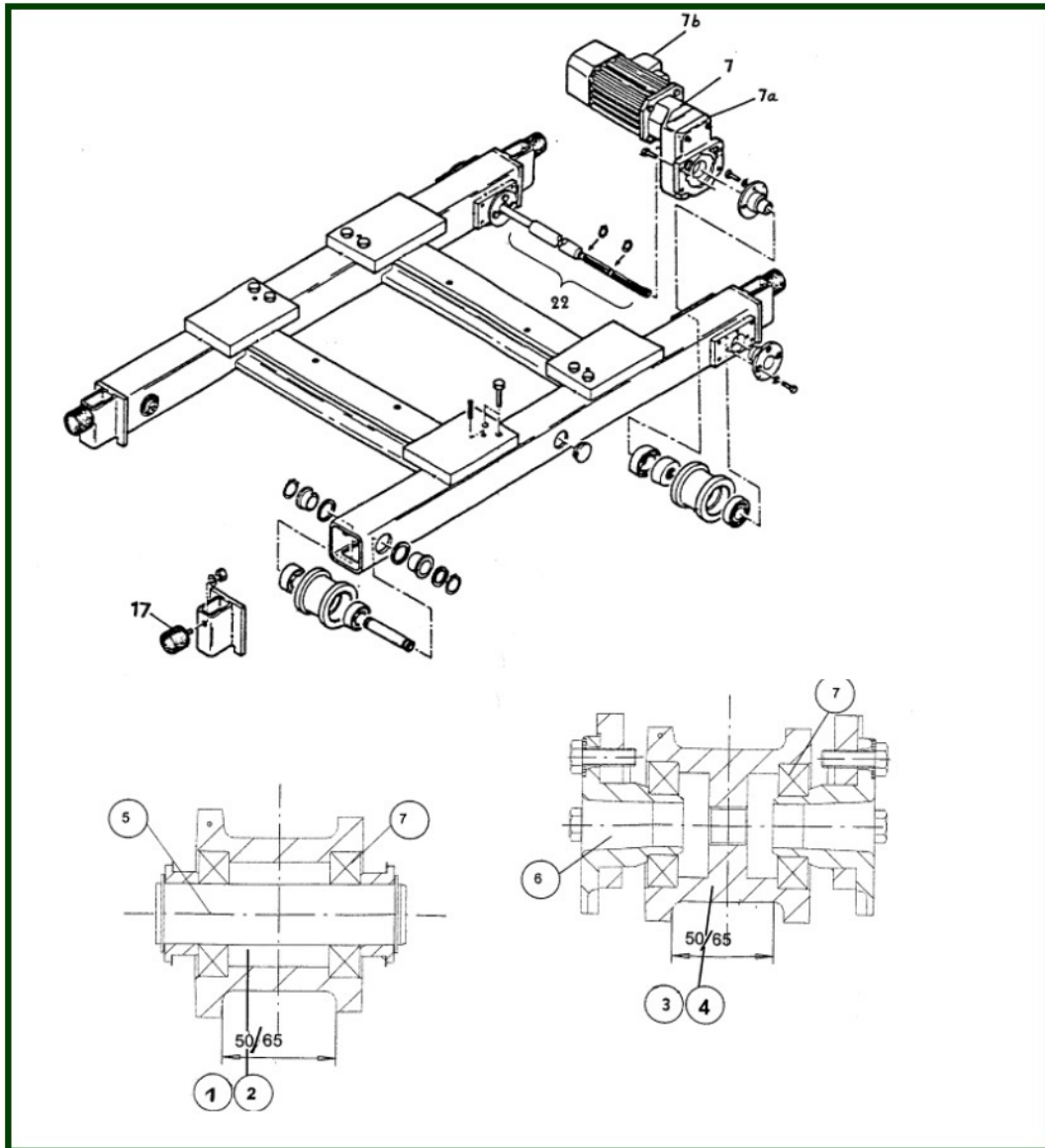
## 17) Reduced headroom monorail trolley 2/1-4/1



item	reference	description	observation	Quantity
4	<a href="#">31215001</a>	Supporting sleeve for 4/1		1
5	<a href="#">5451151Q</a>	Idler runner without fittings with axle	180 x 216	2
5	<a href="#">4551111K</a>	Travel wheel		2
6	<a href="#">35025001</a>	Idler frame plate L with axle		1
6	<a href="#">35001001</a>	Idler frame plate L with fittings		1
6	<a href="#">35025003</a>	Idler frame plate SL with axle		1
6	<a href="#">35001003</a>	Idler frame plate SL with fittings		1
6	<a href="#">35025005</a>	Idler frame plate UL with axle		1
6	<a href="#">35001005</a>	Idler frame plate UL with fittings		1
7	<a href="#">35025002</a>	Driven frame plate type L with axle		1
7	<a href="#">35001002</a>	Driven frame plate type L with fittings		1
7	<a href="#">35025004</a>	Driven frame plate type SL with axle		1
7	<a href="#">35001004</a>	Driven frame plate type SL with fittings		1
7	<a href="#">35025006</a>	Driven frame plate type UL with axle		1
7	<a href="#">35001006</a>	Driven frame plate type UL with fittings		1
8	<a href="#">7262040X</a>	Exterior circlip		4
9	<a href="#">7261090Q</a>	Interior circlip		8
10	<a href="#">7412101G</a>	Bearing	Après / After 06 / 83	4
11	<a href="#">7424080G</a>	Bearing		4
12	<a href="#">5451155U</a>	Collar 82 x 89 x 12		4
13	<a href="#">5451351G</a>	Geared wheel only	180 x 216	2
13	<a href="#">4551311B</a>	Wheel motor		2
14	<a href="#">7273356X</a>	MECANINDUS 6 x 30 pin		2
15	<a href="#">5833520H</a>	Intermediate pinion	20 Dts / 20 th	2
15bis	<a href="#">25003001</a>	Set of 2 pinions and pins	2+3	1
16	<a href="#">35015002</a>	Jackshaft länge=450mm		1
16	<a href="#">35015004</a>	Jackshaft länge=530mm		1
16	<a href="#">35015001</a>	Shaft	L 400 mm	1
16	<a href="#">35015003</a>	Shaft	L 500 mm	1
17	<a href="#">7447100Z</a>	Bearing PFT		2
17bis	<a href="#">25003003</a>	Set of 1 shaft bearing with screw and washer	2+3+4+5	1
20	<a href="#">35018003</a>	Sleeve	225 mm	2
20	<a href="#">35018004</a>	Sleeve	320 mm	2

21	<u>5442102D</u>	Spacer	Lg 370mm	2
21	<u>5452102Y</u>	Spacer	Lg 440mm	2
21	<u>5452106C</u>	Spacer	Lg 540mm	2
22	<u>35018002</u>	Spacer collar thickness=50mm		2
23	<u>35018001</u>	Spacer collar thickness=25mm		2
24	<u>7153629J</u>	Adjustment washer	Ep. / th 2mm	1
24	<u>7153639V</u>	Adjustment washer	Ep. / th 3 mm	1
25	<u>7221360E</u>	Nut		4
26	<u>7223360D</u>	PAL nut		4
27	<u>35031010</u>	Set of girders		1
31	<u>35018005</u>	Counterweight locking bar		1
34	<u>31533001</u>	Counterweight type L		3
34	<u>31533002</u>	Counterweight type SL		3
34	<u>31533003</u>	Counterweight type UL		3
37	<u>35031011</u>	Girder cross-piece type L		1
37	<u>35031012</u>	Girder cross-piece type SL		1
37	<u>35031013</u>	Girder cross-piece type UL		1
37	<u>25002071</u>	Shaft set	Lg 62 mm	14

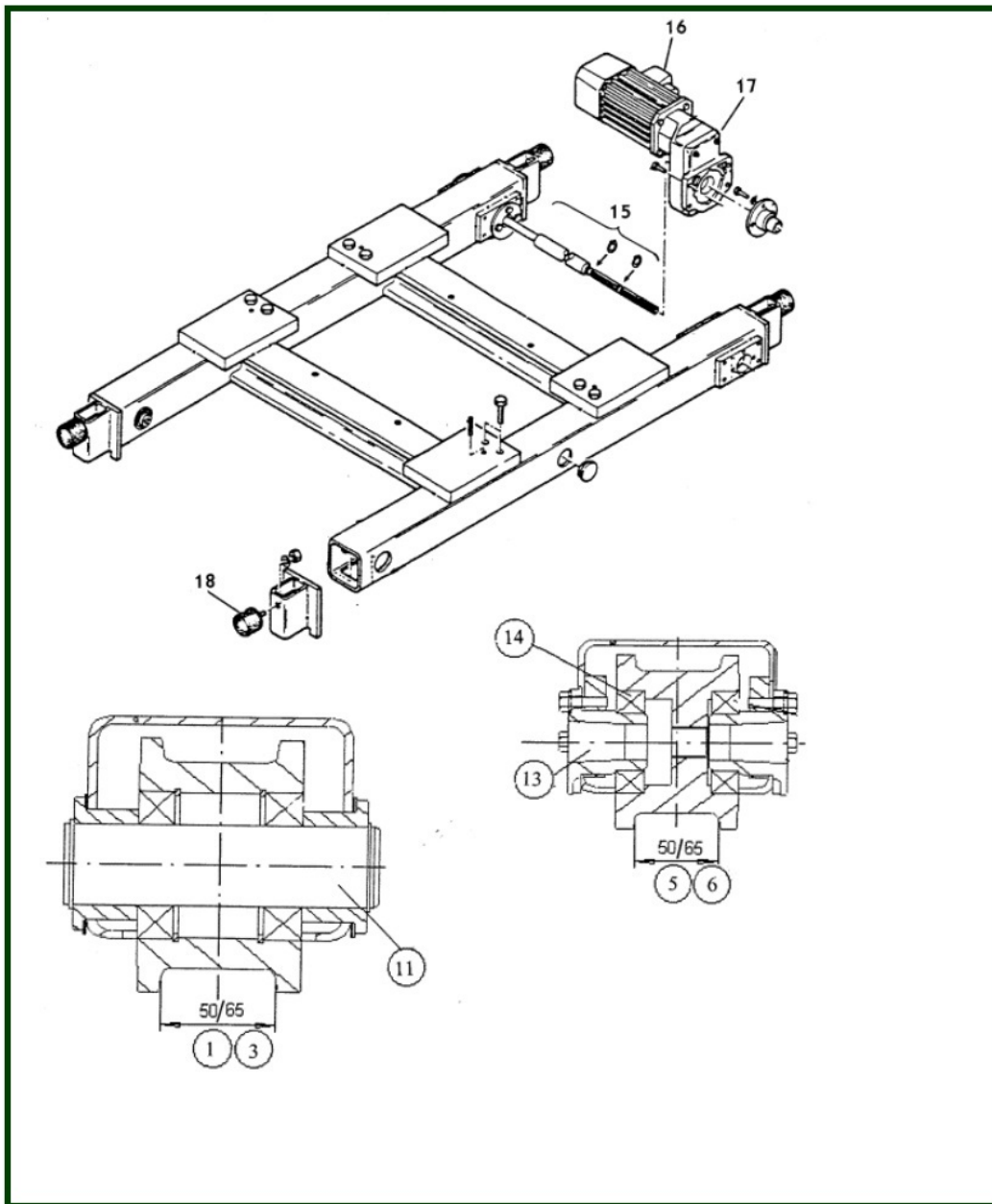
## 18) Crab frame SE3 1 and 2 falls



item	reference	description	observation	Quantity
1	<a href="#">15503003</a>	Travel wheel set - ø 90 - G50	VS202/VP9 - VS302..F - VS402 A partir / Since 1999	1
2	<a href="#">15503006</a>	Travel wheel set ø 90 - G65	VS202/VP9 - VS302..F - VS402 A partir / Since 1999	1
3	<a href="#">15503001</a>	Driving wheel set - ø 90 -G50	VS302..F - VS402 A partir / Since 1999	1
4	<a href="#">15503005</a>	Driving wheel set - ø 90 - G65	VS302..F - VS402 A partir / Since 1999	1
5	<a href="#">15503004</a>	Complete shaft travel wheel	VP9	1
6	<a href="#">15503002</a>	Bearling-flange set	VP9-VS302	1
7	<a href="#">7412072A</a>	Complete bearing	VP9-VS302	2
7	<a href="#">25580003</a>	Motor drive	380V - 16/4 m/mn	1
7	<a href="#">25580001</a>	Motor drive	380V - 20/5 m/mn	1
7	<a href="#">25580002</a>	Motor drive	380V - 25/6 m/mn	1
7a	<a href="#">25582010</a>	Gearbox 16/4		1
7a	<a href="#">25582020</a>	Gearbox 20/5		1
7a	<a href="#">25582030</a>	Gearbox 25/6		1
7b	<a href="#">25508102</a>	Motor 0,25-0,06Kw	220V	1
7b	<a href="#">25508103</a>	Motor 0,25-0,06Kw	380V	1
7b	<a href="#">25509103</a>	Motor 0,25-0,06Kw	380V avec sondes	1
7b	<a href="#">25508104</a>	Motor 0,25-0,06Kw	415V	1
22	<a href="#">15520001</a>	Drive shaft	0.9m	1
22	<a href="#">15520002</a>	Drive shaft	1.4m	1

22	<u>15520003</u>	Drive shaft	2m	1
22	<u>15520006</u>	Drive shaft - Exterior motor	2m	1
22	<u>15520004</u>	Set of drive shaft 900 exterior motor		1
22	<u>15520005</u>	Set of drive shaft 1400 exterior motor		1

## 19) Crab frame SE3 4 falls



item	reference	description	observation	Quantity
1	<a href="#">25803003</a>	Travel wheel set - ø 140 - G50	VS404 / VP14 VS502 VS504 < 16T	1
3	<a href="#">25803006</a>	Travel wheel set - ø 140 - G65	VS404 / VP14 VS502 VS504 < 16T	1
5	<a href="#">25803001</a>	Driving wheel set - ø 140 - G50	VS404 / VP14 - VS502 VS504 < 16T	1
6	<a href="#">25803005</a>	Driving wheel set - ø 140 - G65	VS404 / VP14 - VS502 VS504 < 16T	1
11	<a href="#">25803007</a>	Shaft travel wheel	VP14 - VS404 - VS502 - VS504 < 16T	1
13	<a href="#">25803002</a>	Bearing flange set	VP14 - VS404 - VS502 - VS504 < 16T	1
14	<a href="#">7412112U</a>	Bearing compl.	VP14 - VS404 - VS502 - VS504 < 16T	2
15	<a href="#">25501003</a>	Drive shaft	VP14 - 0,9 m	1
15	<a href="#">25501005</a>	Drive shaft	VP14 - 1,4 m	1
15	<a href="#">25501004</a>	Drive shaft	VP14 - 1 m	1
15	<a href="#">25501007</a>	Drive shaft	VP14 - 2,4 m	1
15	<a href="#">25501006</a>	Drive shaft	VP14 - 2 m	1
16	<a href="#">25809303</a>	Travelling motor MF07LB104+PTC-3000-750t/mn-380V 50Hz - 0.45/0.11kw avec sondes	Prise Wieland avant avril 1999 Wieland plug before april 1999	1
16	<a href="#">25518202</a>	Travelling motor MF07ZB206-1500-500t/mn-220V 50Hz-0.37/0.10kw	Prise Wieland avant avril 1999 Wieland plug before april 1999	1

16	<u>25518204</u>	Travelling motor MF07ZB206-1500-500t/mn-415V 50Hz-0.37/0.10kw	Prise Wieland avant avril 1999 Wieland plug before april 1999	1
16	<u>25518203</u>	Travelling motor MF07ZB206-1500-500t/mn-380 400V 50Hz-0.37/0.10kw	Prise Wieland avant avril 1999 Wieland plug before april 1999	1
16	<u>25808302</u>	Travelling motor MF07LB104 3000-750t/mn-220V/50Hz - 0.45/0.11Kw	Prise Wieland avant avril 1999 Wieland plug before april 1999 GS332RPC : VS306 - GS315RPC : VS306 6,3T	1
16	<u>25808303</u>	Travelling motor MF07LB104 3000-750t/mn-380-400V/50Hz - 0.45/0.11KW	Prise Wieland avant avril 1999 Wieland plug before april 1999 GS332RPC : VS306 - GS315RPC : VS306 6,3T	1
16	<u>25808304</u>	Travelling motor MF07LB104 3000-750t/mn-415V/50Hz - 0.45/0.11KW	Prise Wieland avant avril 1999 Wieland plug before april 1999 GS332RPC : VS306 - GS315RPC : VS306 6,3T	1
17	<u>25883030</u>	Gear GS 350 RFB		1
17	<u>25883020</u>	Gear GS 363 RFB		1
18	<u>15503007</u>	Buffer set		4
-	<u>35520001</u>	Drive shaft 1,4m	VP25 POUR /FOR SE3 6 BRINS	1
-	<u>35520004</u>	Drive shaft 1m	VP25 POUR /FOR SE3 6 BRINS	1
-	<u>35520002</u>	Drive shaft 2m	VP25 POUR /FOR SE3 6 BRINS	1
-	<u>45803001</u>	Driving wheel set Groove 65	VP25 POUR /FOR SE3 6 BRINS	1
-	<u>45803003</u>	Idle wheel set Groove 65	VP25 POUR /FOR SE3 6 BRINS	1
-	<u>45803004</u>	Shaft travel wheel	VP25 POUR /FOR SE3 6 BRINS	1

## 20) Electrical equipment

item	reference	description	observation	Quantity
-	<a href="#">7366403C</a>	2 speeds contact element	XENG1191	1
-	<a href="#">7632422L</a>	Box casing with clamp 2 buttons	XAC A02	1
-	<a href="#">7661915U</a>	Bull dog grip SIMPLEX		1
-	<a href="#">7632412A</a>	Buttons with black gummi	XAC A9412	1
-	<a href="#">7632413B</a>	Buttons with red gummi	XAC A9414	1
-	<a href="#">7641109D</a>	Cable gland (9)	Câble rond	1
-	<a href="#">7641111F</a>	Cable gland (11)	Câble rond	1
-	<a href="#">7641113H</a>	Cable gland (13)	Câble rond	1
-	<a href="#">7641116L</a>	Cable gland (16)	Câble rond	1
-	<a href="#">7642029D</a>	Cable gland (21)	1 câble plat4x2.5 <sup>2</sup>	1
-	<a href="#">7642129N</a>	Cable gland (29)	1 câble plat 4x6 <sup>2</sup>	1
-	<a href="#">7642229W</a>	Cable gland (29)	1 câble plat 8x1.5 <sup>2</sup>	1
-	<a href="#">7642329E</a>	Cable gland (29)	2câbles plats 4x6 <sup>2</sup>	1
-	<a href="#">7642429P</a>	Cable gland (29)	2 câbles plats 8x1.5 <sup>2</sup>	1
-	<a href="#">7641129A</a>	Cable gland (29)	Câble rond	1
-	<a href="#">7642536E</a>	Cable gland (36)	1 câble plat 4x16 <sup>2</sup>	1
-	<a href="#">7642236D</a>	Cable gland (36)	1câbleplat 12x1,5 <sup>2</sup>	1
-	<a href="#">7641136H</a>	Cable gland (36)	Câble rond	1
-	<a href="#">7642648B</a>	Cable gland (48)	1 câble plat 4x25 <sup>2</sup>	1
-	<a href="#">7648109N</a>	Cap nut (9)		1
-	<a href="#">7648111Q</a>	Cap nut (11)		1
-	<a href="#">7648113S</a>	Cap nut (13)		1
-	<a href="#">7648116V</a>	Cap nut (16)		1
-	<a href="#">7648121A</a>	Cap nut (21)		1
-	<a href="#">7648129J</a>	Cap nut (29)		1
-	<a href="#">7648136S</a>	Cap nut (36)		1
-	<a href="#">7532526D</a>	Contacteur ON/OFF	LC1D65E7	1
-	<a href="#">8812052T</a>	Control cable	5x1.5mm <sup>2</sup>	1
-	<a href="#">8812152B</a>	Control cable	16x1,5 mm <sup>2</sup>	1
-	<a href="#">7581712S</a>	Earth M16/12		1
-	<a href="#">7581720A</a>	Earth M35/16P		1
-	<a href="#">7581715V</a>	Earth MS4/6		1
-	<a href="#">7581719Z</a>	Earth MS6/8P		1
-	<a href="#">7575300X</a>	Fuse 1A		1
-	<a href="#">7575306D</a>	Fuse 6AM		1
-	<a href="#">7575310H</a>	Fuse 10AM		1
-	<a href="#">7576420Q</a>	Fuse 20AM		1
-	<a href="#">7576425V</a>	Fuse 25AM		1
-	<a href="#">7576440L</a>	Fuse 40AM		1
-	<a href="#">7577263F</a>	Fuse 63AM		1
-	<a href="#">7573761Z</a>	Fuse carrier	DK1FB23	1
-	<a href="#">7573751P</a>	Fuse carrier GK1EV		1
-	<a href="#">7573242K</a>	Fuse support	BC31	1
-	<a href="#">7578021E</a>	Fuse support	GB2CD07	1
-	<a href="#">7641121S</a>	Gland 21	Câble rond	1
-	<a href="#">7581725F</a>	Gland diam :30		1
-	<a href="#">7531623X</a>	Interlocked contactor	LC2D803E	1
-	<a href="#">7531023V</a>	Interlocked contactor	LC2EC09E	1
-	<a href="#">7531122C</a>	Interlocked contactors 400V/48V - LC2D129E	AK1-AK2 - Moteur/Motor P1-P2-P3-N1-N2	1
-	<a href="#">7531325Y</a>	Interlocked contactors 400V/48V - LC2D259E	AK1-AK2 Moteur/Motor P5	1
-	<a href="#">7634431V</a>	Label - Off	ZB2BY2931	1
-	<a href="#">7532331A</a>	Main contactor	LC1D32E7	1
-	<a href="#">7532426V</a>	Main contactor - 400V/ 48V - LC1D403E7	Moteur / Motor P6 - O-K1	1

-	<u>36126001</u>	Mouting plate for electric équipément		1
-	<u>7633401A</u>	One step control part low voltage control with 1 « F » contact	ZB2 BE101	1
-	<u>7633402B</u>	One step control part low voltage control with 1 « O » contact	ZB2 BE102	1
-	<u>8812202F</u>	Pendant cable without green / yellow	20x1,5 mm <sup>2</sup>	1
-	<u>7521111W</u>	Rectifier	Frein / Brake 24V	1
-	<u>7535214A</u>	Relay	LT25A30E	1
-	<u>7535414T</u>	Relay FINDER	48V	1
-	<u>7632401P</u>	Rubber protection cover	XAC A960	1
-	<u>7634416D</u>	Sticker backward	ZB2BY2916	1
-	<u>7634417E</u>	Sticker backward high speed	ZB2BY2917	1
-	<u>7634418F</u>	Sticker backward slow speed-high speed	ZB2BY2918	1
-	<u>7634404R</u>	Sticker down	ZB2BY2904	1
-	<u>7634405S</u>	Sticker down high speed	ZB2BY2905	1
-	<u>7634406T</u>	Sticker down slow speed-high speed	ZB2BY2906	1
-	<u>7634413A</u>	Sticker forward	ZB2BY4913	1
-	<u>7634414B</u>	Sticker forward high speed	ZB2BY4914	1
-	<u>7634415C</u>	Sticker forward slow speed-high speed	ZB2BY4915	1
-	<u>7634410X</u>	Sticker left	ZB2BY2910	1
-	<u>7634411Y</u>	Sticker left high speed	ZB2BY2911	1
-	<u>7634412Z</u>	Sticker left slow and high speed	ZB2BY2912	1
-	<u>7634430U</u>	Sticker ON	ZB2BY4930	1
-	<u>7634435Z</u>	Sticker ON-ALARM	ZB2BY4935	1
-	<u>7634407U</u>	Sticker right	ZB2BY4907	1
-	<u>7634408V</u>	Sticker right high speed	ZB2BY4908	1
-	<u>7634409W</u>	Sticker right slow speed-high speed	ZB2BY4909	1
-	<u>7634401N</u>	Sticker UP	ZB2BY4901	1
-	<u>7634402P</u>	Sticker UP high speed	ZB2BY4902	1
-	<u>7634403Q</u>	Sticker UP slow speed-high speed	ZB2BY4903	1
-	<u>16126002</u>	Support bracket FINDER		1
-	<u>7513332R</u>	Transformer 63VA	380-420-500/48V	1
-	<u>7513532H</u>	Transformer 63VA	440-460-480/48V	1
-	<u>7514032B</u>	Transformer 100VA	220/48V	1
-	<u>7514332C</u>	Transformer 100VA	380-420-500/48V	1
-	<u>7514532V</u>	Transformer 100VA	440-460-480/48V	1
-	<u>7532122Q</u>	Two speeds selection contactor	LC1D128E	1
-	<u>7532021E</u>	Two speeds selection contactor	LC1EC08E	1
-	<u>7531423E</u>	Up and down contactor 400V/48V - LC2D403E	Moteur / Motor P7 - AK1-AK2	1