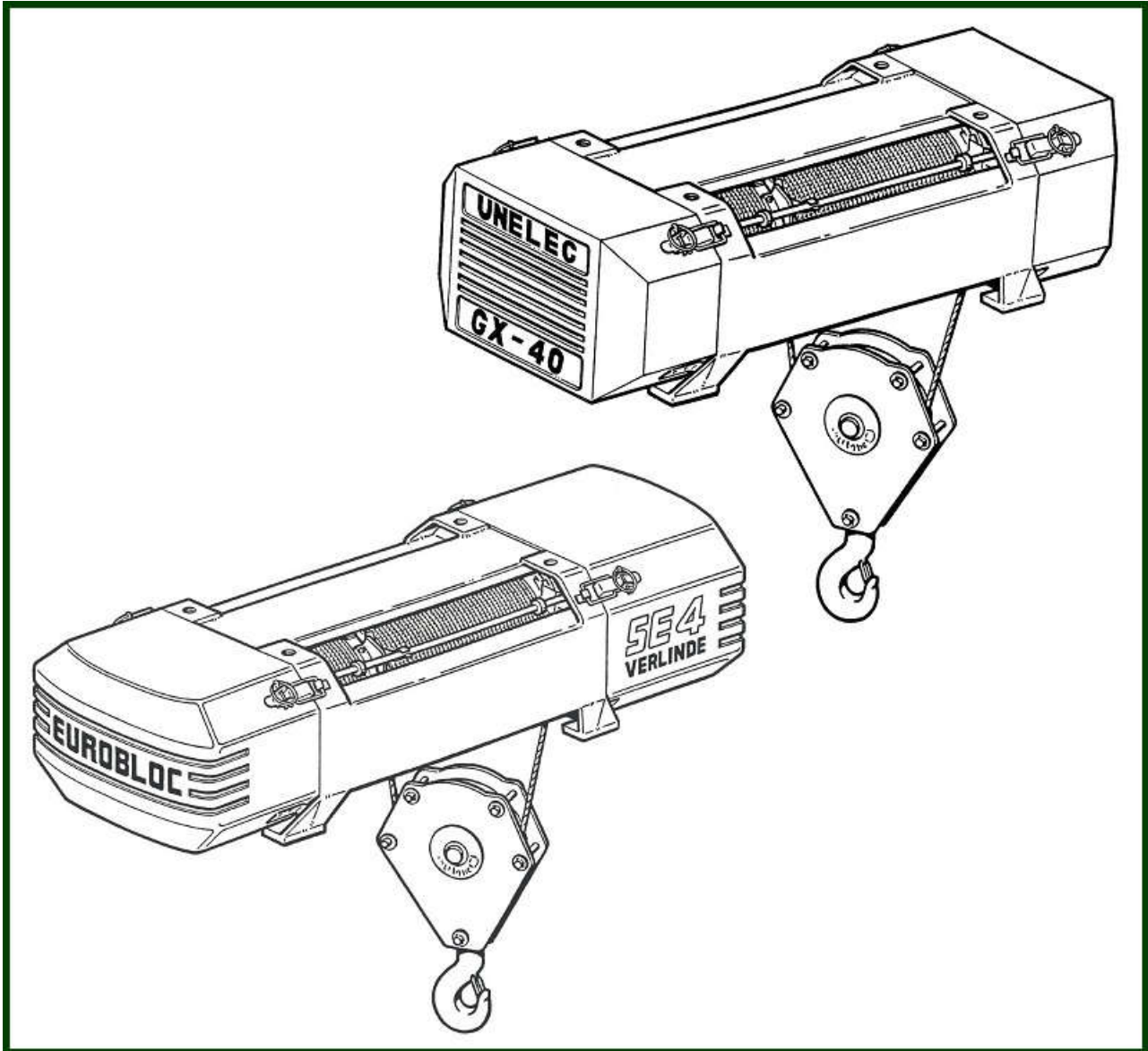


## Spare parts catalog for "SE4 - GX40"

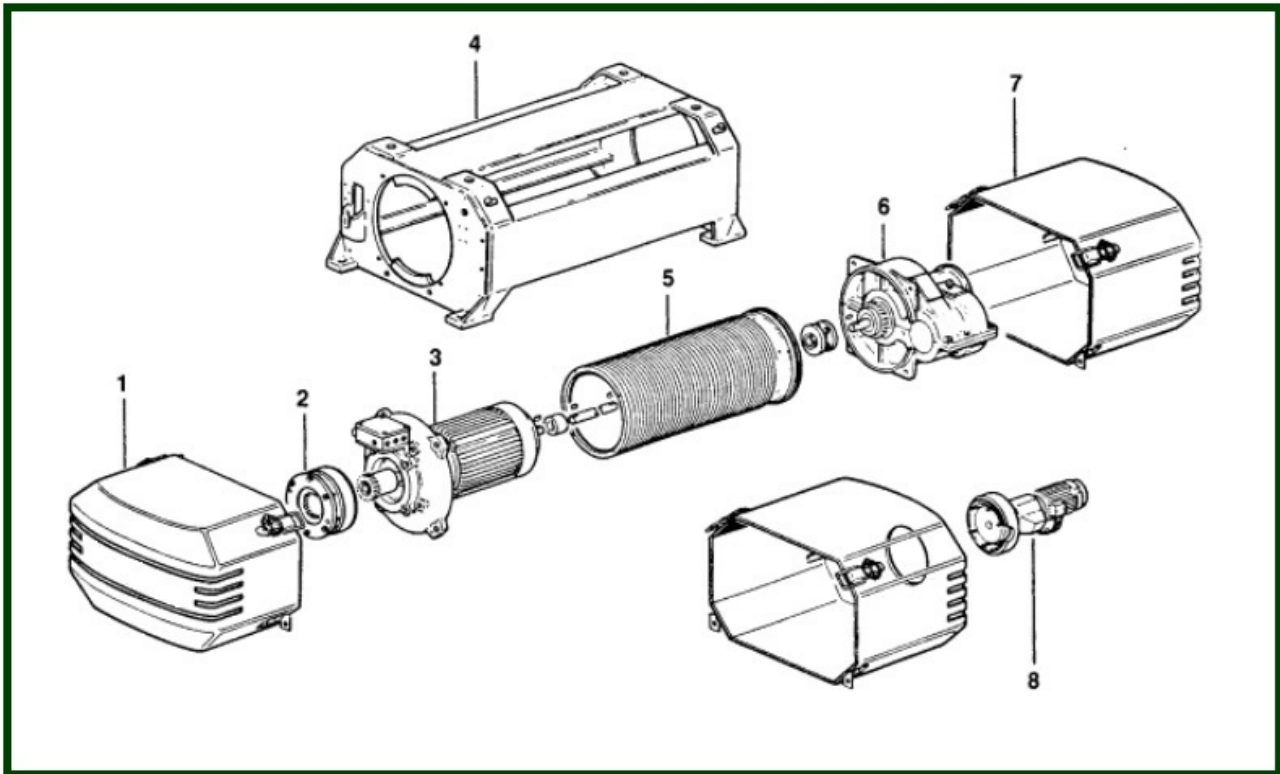
To avoid errors, when ordering please specify:

- Complete type of hoist
- Date of manufacture and serial number
- Spare part code
- Spare part designation
- Additional information



- 1) SUB-ASSEMBLIES
- 2) DRUM / ROPE GUIDE
- 3) HOISTING GEARBOX
- 4) BRAKE
- 5) 1 FALL HOOK / 2 FALLS HOOK BLOCK
- 6) 4 FALLS HOOK BLOCK
- 7) MONORAIL TROLLEY WITH 2 DRIVING WHEELS
- 8) CRAB FRAME SE4 1 & 2 FALLS
- 9) CRAB FRAME SE4 4 FALLS
- 10) ELECTRICAL EQUIPMENT

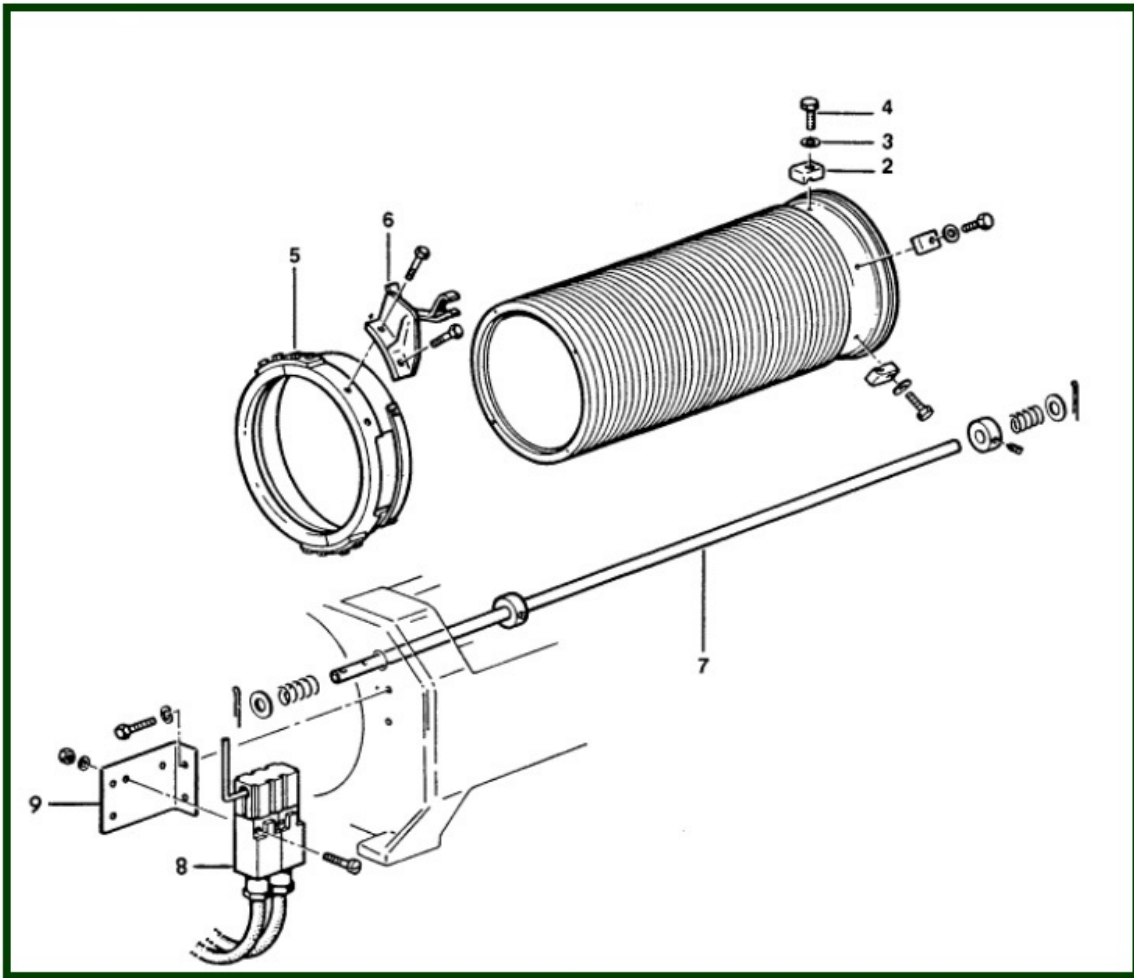
# 1) Sub-assemblies



item	reference	description	observation	Quantity
1	<a href="#">7252201C</a>	Cap with screw		1
1	<a href="#">48533001</a>	End cover motor end		1
1	<a href="#">344048533004</a>	End cover motor end		1
2	<a href="#">48301001</a>	Disc brake		1
3	<a href="#">48002017</a>	Hoisting motor 22/7 Kw	220V	1
3	<a href="#">48012057</a>	Hoisting motor 22/7 Kw	380V	1
3	<a href="#">48002127</a>	Hoisting motor 22/7 Kw	415V	1
3	<a href="#">48001077</a>	Hoisting motor 22 Kw	220/380V	1
3	<a href="#">48001127</a>	Hoisting motor 22 Kw	415V	1
5	<a href="#">42101006</a>	Drum L	Lg=1218mm	1
5	<a href="#">42101002</a>	Drum L	Lg=1218mm	1
5	<a href="#">42101005</a>	Drum N	Lg=733mm	1
5	<a href="#">42101001</a>	Drum N	Lg=733mm	1
5	<a href="#">42101007</a>	Drum SL	Lg=1708mm	1
5	<a href="#">42101003</a>	Drum SL	Lg=1708mm	1
5	<a href="#">42101008</a>	Drum UL	Lg=2108mm	1
5	<a href="#">42101004</a>	Drum UL	Lg=2108mm	1
6	<a href="#">44001003</a>	Hoisting gearbox 16m/mn		1
6	<a href="#">44001001</a>	Hoisting gearbox 20m/mn		1
6	<a href="#">44001002</a>	Hoisting gearbox 25m/mn		1
6	<a href="#">44001006</a>	Hoisting gearbox 12m/mn		1
6	<a href="#">44001004</a>	Hoisting gearbox 32m/mn		1
6	<a href="#">44001005</a>	Hoisting gearbox 40 m/mn		1
7	<a href="#">48533002</a>	End cover gearbox end		1

7	<u>344048533005</u>	End cover motor end		1
8	<u>48101003</u>	Microspeed 1/10 415V		1
8	<u>48101002</u>	Microspeed 1/16220/380V		1
8	<u>48101004</u>	Microspeed 1/16 415V		1
9	<u>48533006</u>	End cover microspeed end		1
9	<u>48533003</u>	End cover microspeed end		1

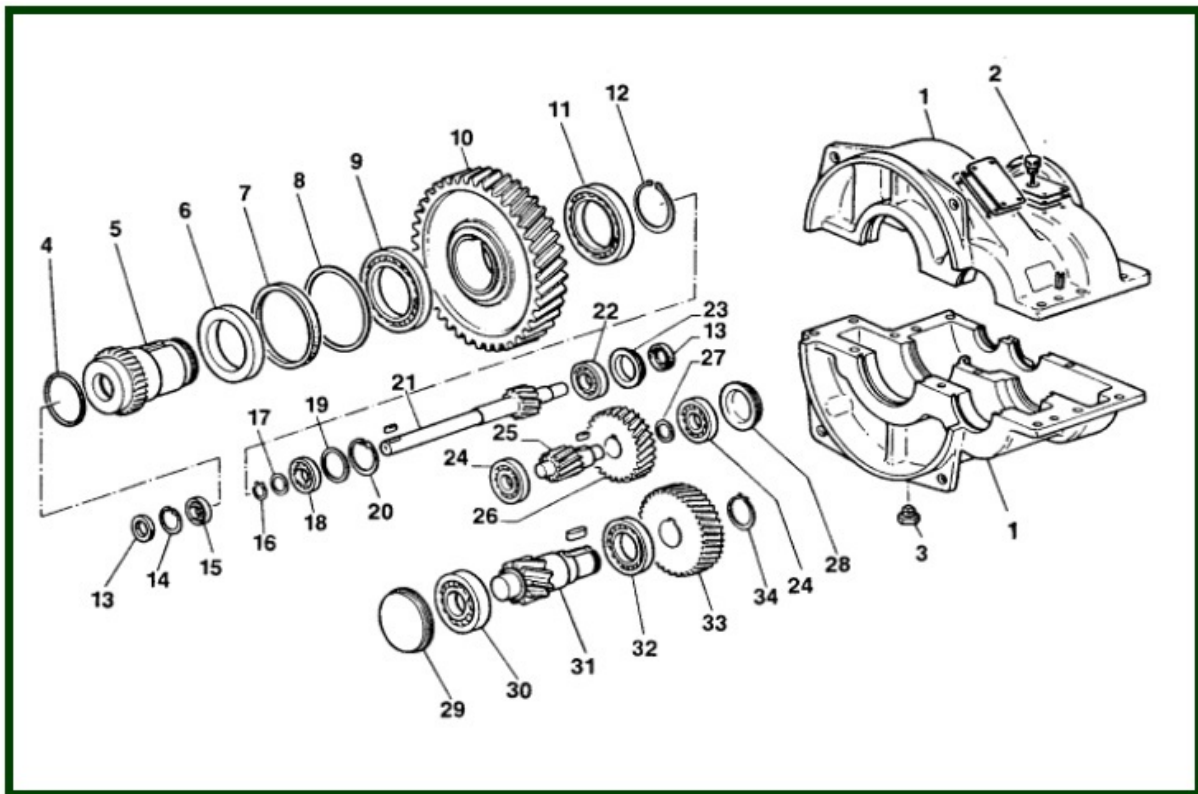
## 2) Drum / Rope guide



item	reference	description	observation	Quantity
2	<a href="#">6573</a>	Rope drum Ø 16 and 20		1
3	<a href="#">7232160U</a>	Washer		1
4	<a href="#">7211812B</a>	Screw	2/1 & 4/1 < 5T	1
5	<a href="#">42301003</a>	Rope guide left hand	Câble / Rope - Ø14mm - K3	1
5	<a href="#">42301004</a>	Rope guide left hand	Câble / Rope - Ø15mm - K16	1
5	<a href="#">42301001</a>	Rope guide left hand	Câble / Rope - Ø16mm - K2	1
5	<a href="#">42301005</a>	Rope guide left hand	Câble / Rope - Ø18mm - K12	1
5	<a href="#">42301002</a>	Rope guide left hand	Câble / Rope - Ø20mm - K5	1
5	<a href="#">42301006</a>	Rope guide left hand	Câble / Rope - Ø22mm - K13	1
5	<a href="#">42301007</a>	Rope guide right hand	Câble / Rope - Ø14mm - K11	1
5	<a href="#">42301008</a>	Rope guide right hand	Câble / Rope - Ø15mm - K21	1
5	<a href="#">42301009</a>	Rope guide right hand	Câble / Rope - Ø16mm - K9	1
5	<a href="#">42301010</a>	Rope guide right hand	Câble / Rope - Ø18mm - K14	1
5	<a href="#">42301011</a>	Rope guide right hand	Câble / Rope - Ø20mm - K7	1
5	<a href="#">42301012</a>	Rope guide right hand	Câble / Rope - Ø22mm - K15	1
7	<a href="#">42502003</a>	Limit switch	L - Lg 1385mm	1
7	<a href="#">42502002</a>	Limit switch	N - Lg 900 mm	1
7	<a href="#">42502004</a>	Limit switch	SL - Lg 1875 mm	1

7	<u>42502005</u>	Limit switch	UL - Lg 2275 mm	1
8	<u>12503001</u>	Limit switch without support		1
9	<u>12528001</u>	Limit switch contact support		1
-	<u>7313246F</u>	Rope non rotating - Ø 16mm	Au mètre	1
-	<u>7314046A</u>	Rope non rotating - Ø 20mm	Au mètre	1
-	<u>7323245Z</u>	Rope preformed - Ø 16mm	Au mètre	1
-	<u>7324046V</u>	Rope preformed - Ø 20mm	Au mètre	1

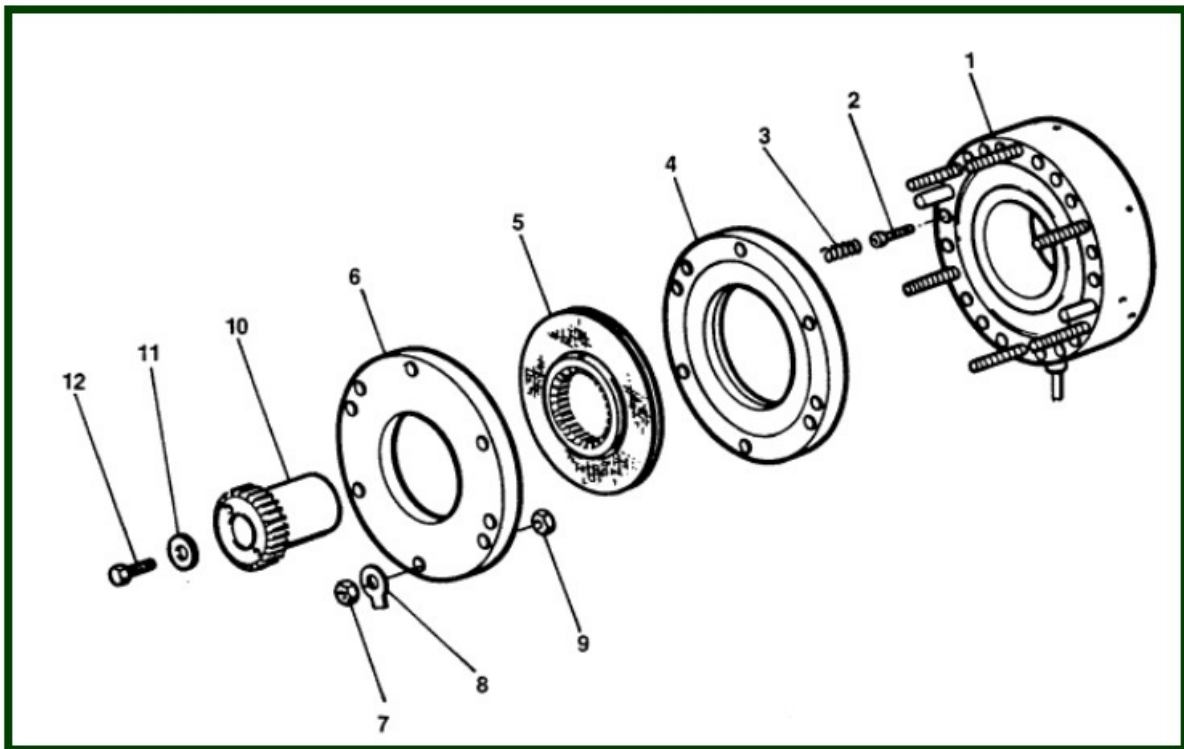
### 3) Hoisting gearbox



item	reference	description	observation	Quantity
1	<a href="#">44014001</a>	Upper half casing+ lower half casing		1
2	<a href="#">3492</a>	Oil jauge		1
3	<a href="#">3491</a>	Drain plug		1
4	<a href="#">3482</a>	Seal		1
5	<a href="#">44020001</a>	Secondary shaft		1
6	<a href="#">44022001</a>	Spacer ring		1
7	<a href="#">3412</a>	Washer		1
8	<a href="#">44017001</a>	Spacer collar		1
9	<a href="#">3410240J</a>	Bearing		1
10	<a href="#">44019001</a>	Gear		1
11	<a href="#">7410210B</a>	Bearing		1
12	<a href="#">7261105F</a>	Exterior circlip		1
13	<a href="#">3443</a>	Seal		1
14	<a href="#">3474</a>	Interior circlip		1
15	<a href="#">7410071A</a>	Bearing		1
16	<a href="#">7262035S</a>	Circlip - Ø 35		1
17	<a href="#">44017002</a>	Spacer collar		1
18	<a href="#">7413070K</a>	Bearing		1
19	<a href="#">44017003</a>	Spacer collar		1
20	<a href="#">7261080D</a>	Internal circlip - Ø 80		1
21	<a href="#">44020006</a>	Primary shaft 12 m/mn		1
21	<a href="#">44020002</a>	Primary shaft 20 and 10m/mn		1
21	<a href="#">44020003</a>	Primary shaft 25 m/mn		1

21	<u>44020004</u>	Primary shaft 32 m/mn		1
21	<u>44020005</u>	Primary shaft 40 m/mn		1
22	<u>7424070S</u>	Bearing	DA	1
23	<u>3445</u>	Cap for bearing		1
24	<u>7424080C</u>	Bearing		1
24	<u>7424090P</u>	Bearing ball joint	Equipement galet traité / Treated wheel	1
25	<u>44020007</u>	Pinion shaft 16-12m/mn		1
25	<u>44020008</u>	Pinion shaft 20-25-32-40m/mn		1
26	<u>44019003</u>	Gear 12m/mn		1
26	<u>44019002</u>	Gear 16m/mn		1
26	<u>44019004</u>	Gear 20m/mn		1
26	<u>44019005</u>	Gear 25m/mn		1
26	<u>44019006</u>	Gear 32m/mn		1
26	<u>44019007</u>	Gear40m/mn		1
27	<u>44017005</u>	Spacer collar 12-16m/mn		1
27	<u>44017004</u>	Spacercollar 20-25-32-40m/mn		1
28	<u>3432</u>	Cap for bearing		1
29	<u>3424</u>	Cap for bearing		1
30	<u>7424120W</u>	Bearing		1
31	<u>44020009</u>	Pinion shaft		1
32	<u>3422</u>	Bearing		1
33	<u>44019009</u>	Gear 12-16m/mn		1
33	<u>44019008</u>	Gear 20-25-32-40m/mn		1
34	<u>3471</u>	Exteriorcirclip		1

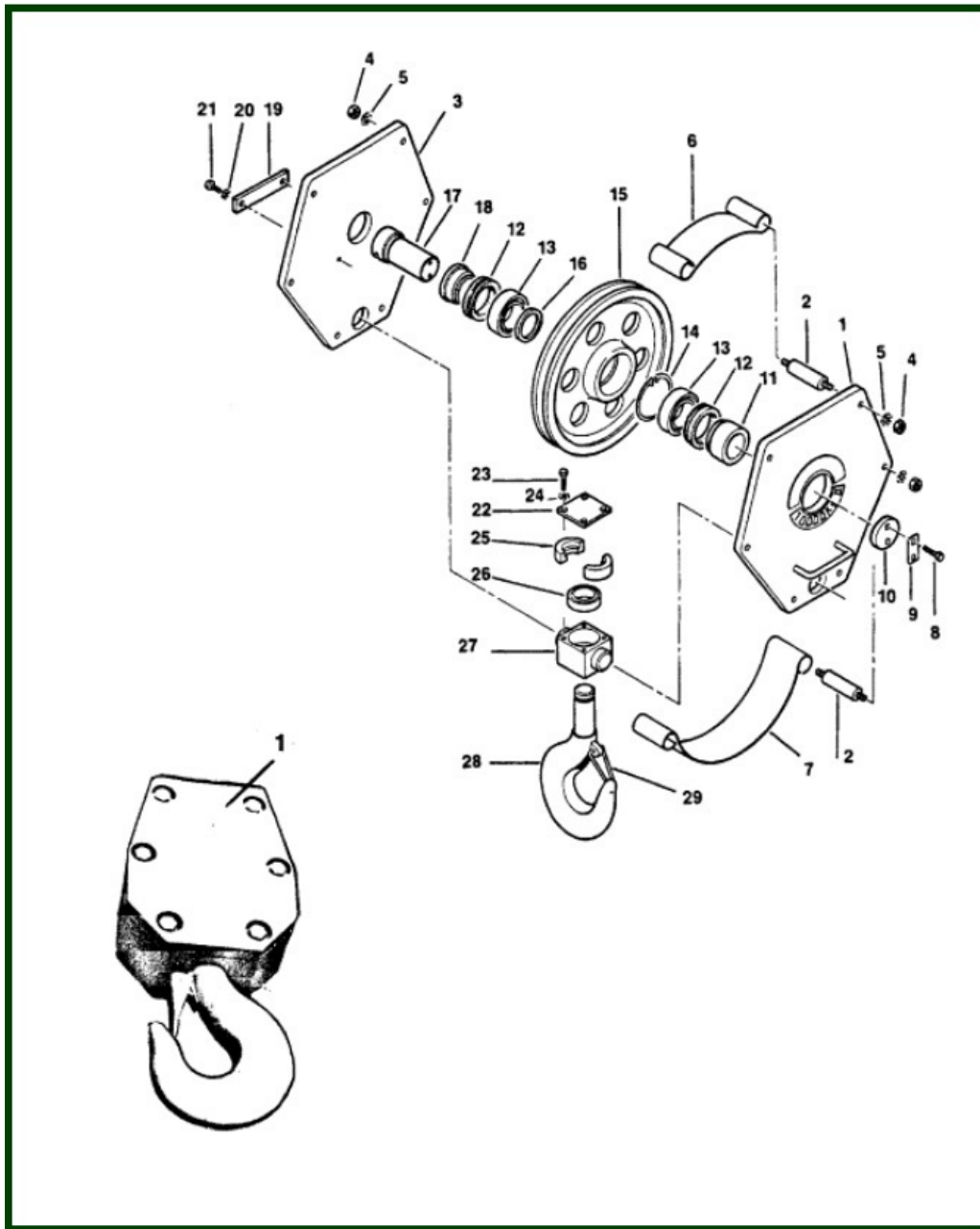
## 4) Brake



item	reference	description	observation	Quantity
2	<u>3380</u>	Screw		1
3	<u>48332001</u>	Pressure ring		1
4	<u>48317001</u>	Brake plate		1
5	<u>48323001</u>	Friction disc		1
6	<u>48317002</u>	Flange		1
7	<u>001505</u>	Nut		1
8	<u>2821</u>	Nut lock		1
9	<u>001504</u>	Nut		1
10	<u>48323002</u>	Coupling		1
11	<u>7231162J</u>	Plate washer	Câble / Rope Ø 11 mm	1
12	<u>7211808X</u>	Screw		1
-	<u>48301001</u>	Disc brake		1



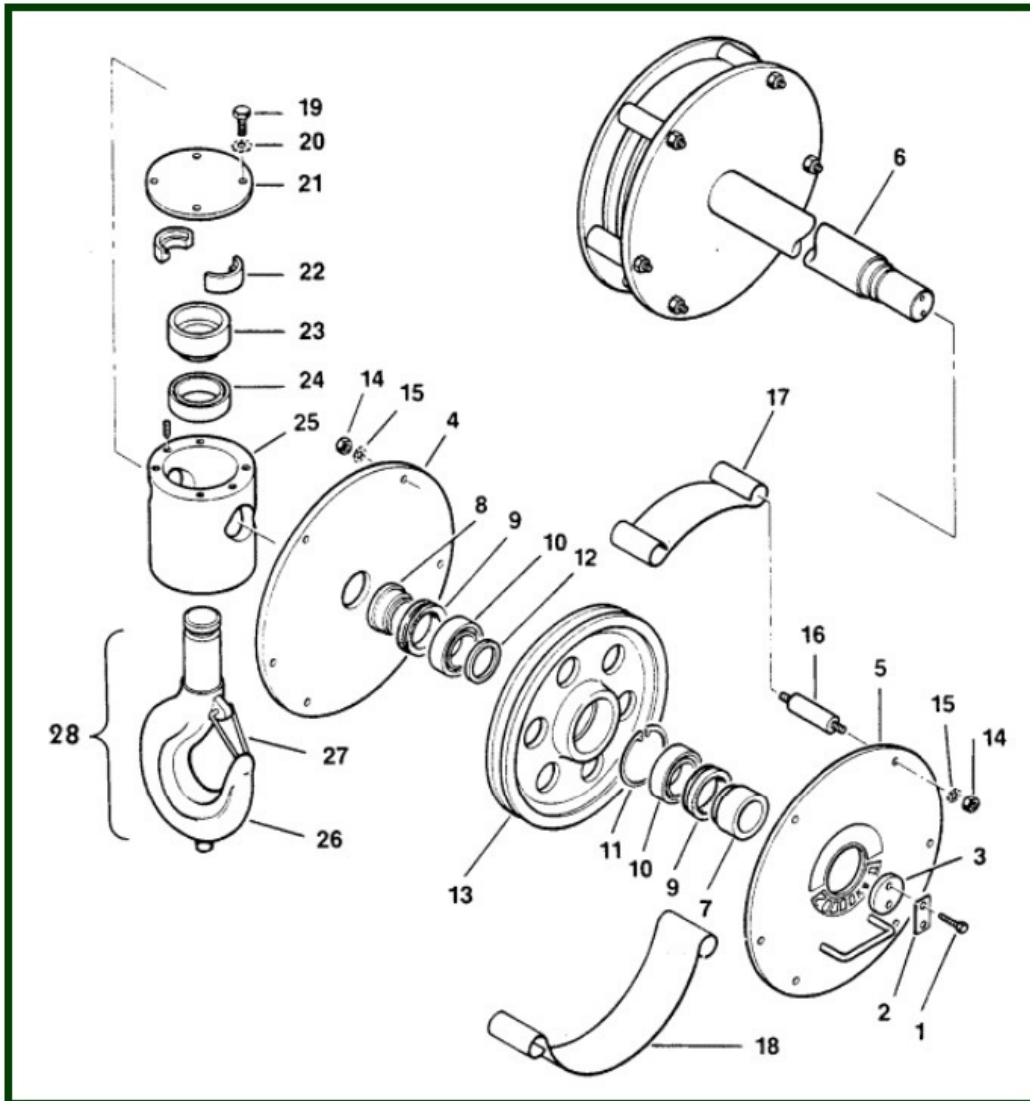
## 5) 1 fall hook / 2 falls hook block



item	reference	description	observation	Quantity
1	<a href="#">5273302Y</a>	1 fall hook complete Ø 16		1
1	<a href="#">5273301Z</a>	1 fall hook complete Ø 20		1
1	<a href="#">5273420D</a>	Side plate		1
2	<a href="#">5273623Z</a>	Spacerring		6
3	<a href="#">5273421E</a>	Gearbox opposite side		1
4	<a href="#">7221160N</a>	Nut		12
5	<a href="#">7232160U</a>	Washer		12
6	<a href="#">5273625B</a>	Upper hoop piece		1
7	<a href="#">5273624A</a>	Lower hoop piece		1
8	<a href="#">7211656G</a>	Screw		2

9	<u>5273622Y</u>	Stop plate		1
10	<u>5273621X</u>	Washer		1
11	<u>5273618U</u>	Intermediary ring		1
12	<u>7461832N</u>	V-ring seal		2
13	<u>7425140E</u>	Ball bearing		2
14	<u>7261125C</u>	Circlips Ø 125		1
15	<u>5273628E</u>	Pulley 16 mm rope Ø		1
16	<u>5273414X</u>	Spacer collar		1
17	<u>5273412V</u>	Pulley axle		1
18	<u>5273619V</u>	Ring		1
19	<u>5273413W</u>	Closing plate		1
20	<u>7232120A</u>	Grower washer (12)		2
21	<u>7211656G</u>	Screw		2
22	<u>5273419C</u>	Thrust bearing cover		1
23	<u>7211454N</u>	Screw		4
24	<u>7232080G</u>	GROWER washer - Ø 8		4
25	<u>5263612T</u>	2 part collar		1
26	<u>7431122G</u>	Thrust bearing		1
27	<u>5273418B</u>	Crosshead		1
28	<u>5273629F</u>	Hook		1
29	<u>SR120F</u>	Steel safety catch		1
-	<u>3273411F</u>	2 falls hook block assembly 16 mm rope Ø		1
-	<u>3273410E</u>	2 falls hook block assembly 20 mm rope Ø		1
-	<u>5273620W</u>	Pulley 20 mm rope Ø		1

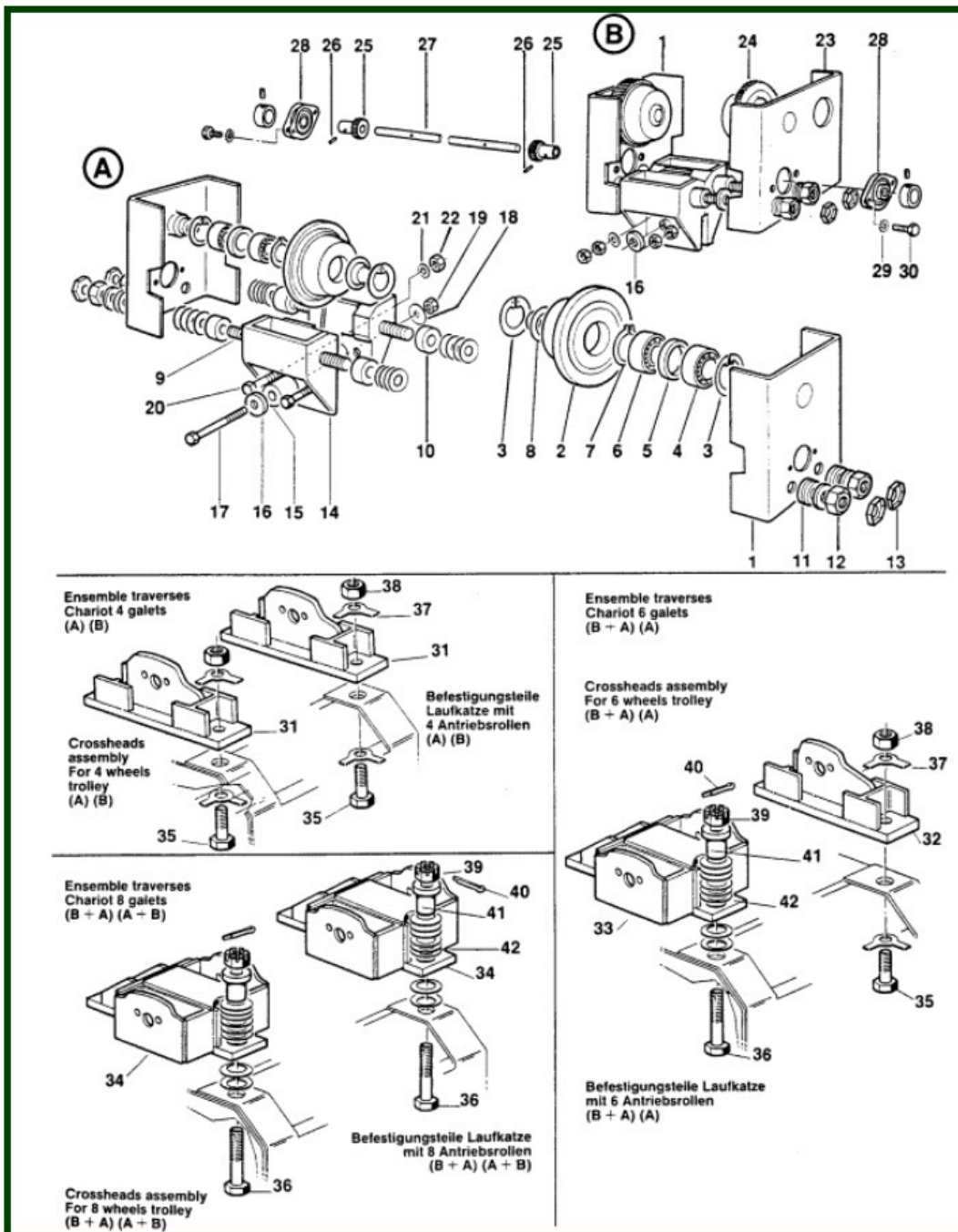
## 6) 4 falls hook block



item	reference	description	observation	Quantity
1	<a href="#">7211656G</a>	Screw		4
2	<a href="#">5273622Y</a>	Stop plate		2
3	<a href="#">5273621X</a>	Washer		2
4	<a href="#">5273616S</a>	Internal bottom block gearbox		2
5	<a href="#">5273617T</a>	External bottom block gearbox		2
6	<a href="#">5273615R</a>	Pulley axle		1
7	<a href="#">5273618U</a>	Intermediary ring		2
8	<a href="#">5273619V</a>	Ring		2
9	<a href="#">7461832N</a>	V-ring seal		4
10	<a href="#">7425140E</a>	Ball bearing		4
11	<a href="#">7261125C</a>	Circlips Ø 125		2
12	<a href="#">5273414X</a>	Spacer collar		2
13	<a href="#">5273628E</a>	Pulley 16 mm rope Ø		1
13	<a href="#">5273620W</a>	Pulley 20 mm rope Ø		1

14	<u>7221160N</u>	Nut		24
15	<u>7232160U</u>	Washer		24
16	<u>5273623Z</u>	Spacerring		12
17	<u>5273625B</u>	Upper hoop piece		2
18	<u>5273624A</u>	Lower hoop piece		2
19	<u>7211456Q</u>	Screw	-	4
20	<u>7232080G</u>	GROWER washer - Ø 8		4
21	<u>5273627D</u>	Cover		1
22	<u>5273632J</u>	Half segment ring		1
23	<u>5273634L</u>	Dish		1
24	<u>7431201T</u>	Ball end stop		1
25	<u>5273631H</u>	Hook crosshead		1
26	<u>5273630G</u>	Hook		1
27	<u>SR200F</u>	Safety clip		1
28	<u>5273610K</u>	Complete hook	20 T	1
-	<u>3273611Z</u>	4fall hook block complete 16 mm rope Ø		1
-	<u>3273612Z</u>	4fall hook block complete 20 mm rope Ø		1

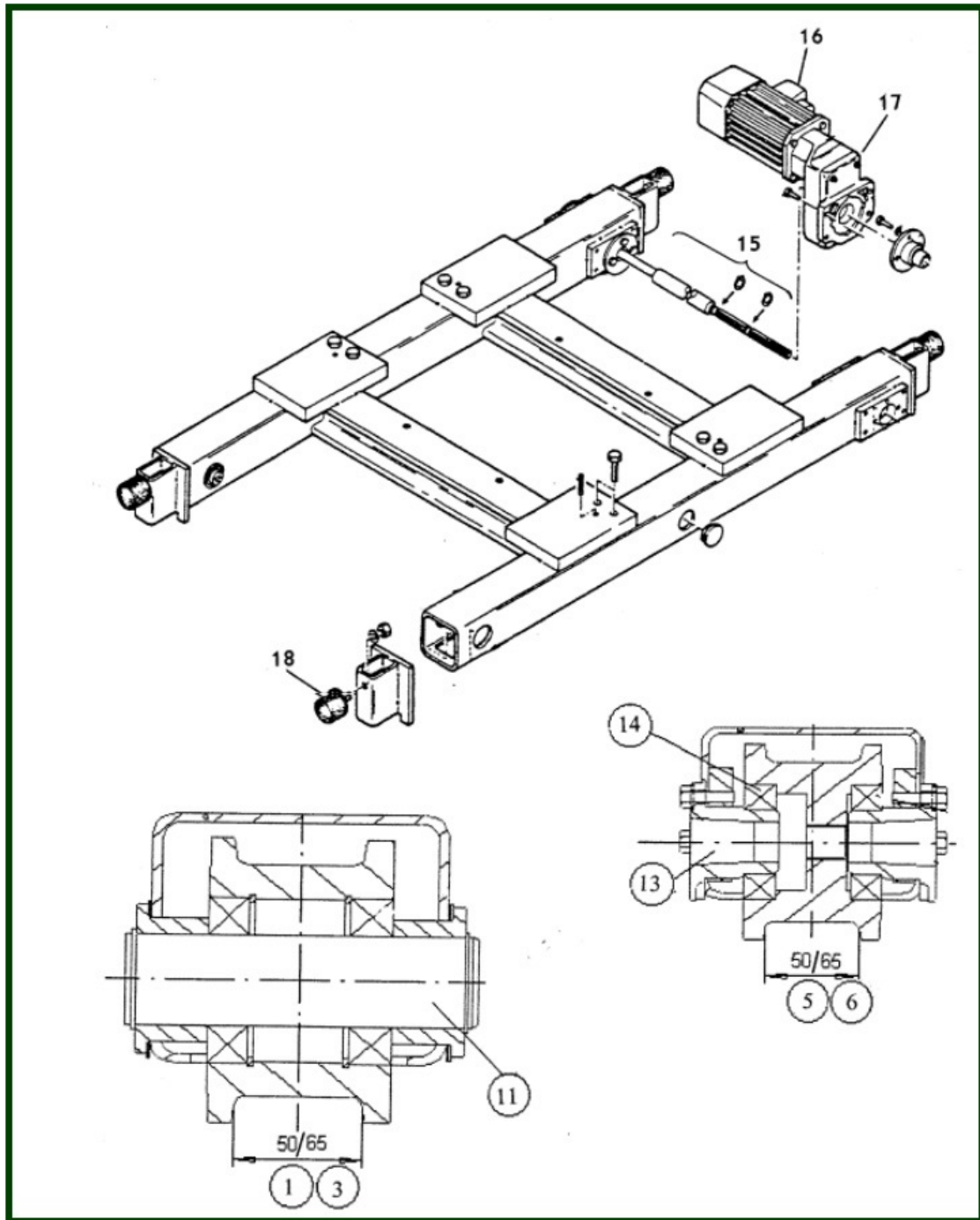
## 7) Monorail trolley with 2 driving wheels



item	reference	description	observation	Quantity
1	<a href="#">3551113F</a>	Ungeared side plate		1
2	<a href="#">5451151Q</a>	Idler runner without fittings with axle	180 x 216	1
3	<a href="#">7261090Q</a>	Interior circlip		1
4	<a href="#">7424080C</a>	Bearing		1
5	<a href="#">5451155U</a>	Collar 82 x 89 x 12		1
6	<a href="#">7412101G</a>	Bearing	Après / After 06 / 83	1

7	<u>7262040X</u>	Exterior circlip		1
8	<u>5243615G</u>	Cap		1
9	<u>5442102D</u>	Spacer	Lg 370mm	2
9	<u>5452102Y</u>	Spacer	Lg 440mm	2
9	<u>5452106C</u>	Spacer	Lg 540mm	2
10	<u>5442116U</u>	Collar	ép. /th. 25mm	1
10	<u>5442117V</u>	Collar	ép. /th. 50mm	1
11	<u>7153629J</u>	Adjustment washer	Ep. / th 2mm	1
11	<u>7153639V</u>	Adjustment washer	Ep. / th 3 mm	1
12	<u>7221360E</u>	Nut		4
13	<u>7223360D</u>	PAL nut		4
14	<u>5542252N</u>	Crosshead		2
15	<u>5542208Q</u>	Suspensions sleeves		1
16	<u>7285050H</u>	Disc washer	11 x 50 x 4	2
17	<u>7211464Y</u>	Screw		1
18	<u>7231082X</u>	Washer		1
19	<u>7221080A</u>	HM nut (8)		1
20	<u>7211916Q</u>	Screw		2
21	<u>7231202C</u>	Washer		2
22	<u>7221200F</u>	M20 nut		2
23	<u>3551312X</u>	Geared side plate complete		2
24	<u>5451351G</u>	Geared wheel only	180 x 216	1
25	<u>5833520H</u>	Intermediate pinion	20 Dts / 20 th	2
26	<u>7273356X</u>	MECANINDUS 6 x 30 pin		2
27	<u>35015002</u>	Jackshaft länge=450mm		1
27	<u>35015004</u>	Jackshaft länge=530mm		1
27	<u>35015001</u>	Shaft	L 400 mm	1
27	<u>35015003</u>	Shaft	L 500 mm	1
28	<u>7447100Z</u>	Bearing PFT		2
29	<u>7232160U</u>	Washer		4
30	<u>7211453L</u>	Screw HM 8x16		4

## 8) Crab frame SE4 1 & 2 falls



item	reference	description	observation	Quantity
1	<a href="#">25803003</a>	Travel wheel set - ø 140 - G50	VS404 / VP14 VS502 VS504 < 16T	1
3	<a href="#">25803006</a>	Travel wheel set - ø 140 - G65	VS404 / VP14 VS502 VS504 < 16T	1
5	<a href="#">25803001</a>	Driving wheel set - ø 140 - G50	VS404 / VP14 - VS502 VS504 < 16T	1
6	<a href="#">25803005</a>	Driving wheel set - ø 140 - G65	VS404 / VP14 - VS502 VS504 < 16T	1
11	<a href="#">25803007</a>	Shaft travel wheel	VP14 - VS404 - VS502 - VS504 < 16T	1
13	<a href="#">25803002</a>	Bearing flange set	VP14 - VS404 - VS502 - VS504 < 16T	1
14	<a href="#">7412112U</a>	Bearing compl.	VP14 - VS404 - VS502 - VS504 < 16T	2

15	<u>25501003</u>	Drive shaft	VP14 - 0,9 m	1
15	<u>25501005</u>	Drive shaft	VP14 - 1,4 m	1
15	<u>25501004</u>	Drive shaft	VP14 - 1 m	1
15	<u>25501007</u>	Drive shaft	VP14 - 2,4 m	1
15	<u>25501006</u>	Drive shaft	VP14 - 2 m	1
16	<u>25809303</u>	Travelling motor MF07LB104 +PTC -3000-750t/mn-380V/50Hz 0.45/0.11kw avec sondes	Prise Wieland avant avril 1999 Wieland plug before april 1999	1
16	<u>25518202</u>	Travelling motor MF07ZB206 1500-500t/mn-220V/50Hz 0.37/0.10kw	Prise Wieland avant avril 1999 Wieland plug before april 1999	0
16	<u>25518204</u>	Travelling motor MF07ZB206 1500-500t/mn-415V/50Hz 0.37/0.10kw	Prise Wieland avant avril 1999 Wieland plug before april 1999	0
16	<u>25518203</u>	Travelling motor MF07ZB206 1500-500t/mn-380-400V/50Hz 0.37/0.10kw	Prise Wieland avant avril 1999 Wieland plug before april 1999	1
16	<u>25808302</u>	Travelling motor MF07LB104 3000-750t/mn-220V/50Hz - 0.45/0.11Kw	Prise Wieland avant avril 1999 Wieland plug before april 1999 GS332RPC : VS306 - GS315RPC : VS306 6,3T	1
16	<u>25808303</u>	Travelling motor MF07LB104 3000-750t/mn-380-400V/50Hz - 0.45/0.11KW	Prise Wieland avant avril 1999 Wieland plug before april 1999 GS332RPC : VS306 - GS315RPC : VS306 6,3T	1
16	<u>25808304</u>	Travelling motor MF07LB104 3000-750t/mn-415V/50Hz - 0.45/0.11KW	Prise Wieland avant avril 1999 Wieland plug before april 1999 GS332RPC : VS306 - GS315RPC : VS306 6,3T	1
17	<u>25883030</u>	Gear GS 350 RFB		1
17	<u>25883020</u>	Gear GS 363 RFB		1
18	<u>15503007</u>	Buffer set		4



## **9) Crab frame SE4 4 falls**

<b>item</b>	<b>reference</b>	<b>description</b>	<b>observation</b>	<b>Quantity</b>
-	<u>55803001</u>	Driving wheel VH25 Groove 65 complete		1
-	<u>55803002</u>	Motor shaft VH25		1
-	<u>55803004</u>	Shaft travel wheel VH25		1
-	<u>55803003</u>	Travel wheel VH25 Groove 65 complete		1

## 10) Electrical equipment

item	reference	description	observation	Quantity
-	<u>7633403C</u>	2 speed contact element	XENG1191	0
-	<u>7632422L</u>	Box casing with clamp 2 buttons	XAC A02	0
-	<u>7661915U</u>	Bull dog grip SIMPLEX		0
-	<u>7632412A</u>	Buttons with black gummi	XAC A9412	0
-	<u>7632413B</u>	Buttons with red gummi	XAC A9414	0
-	<u>7641109D</u>	Cable gland (9)	Câble rond	0
-	<u>7641111F</u>	Cable gland (11)	Câble rond	0
-	<u>7641113H</u>	Cable gland (13)	Câble rond	0
-	<u>7641116L</u>	Cable gland (16)	Câble rond	0
-	<u>7642029D</u>	Cable gland (21)	1 câble plat 4x2.5 <sup>2</sup>	0
-	<u>7642129N</u>	Cable gland (29)	1 câble plat 4x6 <sup>2</sup>	0
-	<u>7642229W</u>	Cable gland (29)	1 câble plat 8x1.5 <sup>2</sup>	0
-	<u>7642329E</u>	Cable gland (29)	2 câbles plats 4x6 <sup>2</sup>	0
-	<u>7642329E</u>	Cable gland (29)	2 câbles plats 4x6 <sup>2</sup>	0
-	<u>7642429P</u>	Cable gland (29)	2 câbles plats 8x1.5 <sup>2</sup>	0
-	<u>7641129A</u>	Cable gland (29)	Câble rond	0
-	<u>7642536E</u>	Cable gland (36)	1 câble plat 4x16 <sup>2</sup>	0
-	<u>7642236D</u>	Cable gland (36)	1câbleplat 12x1,5 <sup>2</sup>	0
-	<u>7642236D</u>	Cable gland (36)	1câbleplat 12x1,5 <sup>2</sup>	0
-	<u>7641136H</u>	Cable gland (36)	Câble rond	0
-	<u>7642648B</u>	Cable gland (48)	1 câble plat 4x25 <sup>2</sup>	0
-	<u>7648109N</u>	Cap nut (9)		0
-	<u>7648111Q</u>	Cap nut (11)		0
-	<u>7648113S</u>	Cap nut (13)		0
-	<u>7648116V</u>	Cap nut (16)		0
-	<u>7648121A</u>	Cap nut (21)		0
-	<u>7648129J</u>	Cap nut (29)		0
-	<u>7648136S</u>	Cap nut (36)		0
-	<u>13000260001</u>	Connector for POK relay		1
-	<u>7532526D</u>	Contacteur ON/OFF	LC1D65E7	0
-	<u>8812052T</u>	Control cable	5x1.5mm <sup>2</sup>	0
-	<u>8812152B</u>	Control cable	16x1,5 mm <sup>2</sup>	0
-	<u>7611643A</u>	Control panel DE2GB643		0
-	<u>7521113Y</u>	Diode rectifier 40HA60		4
-	<u>7581715V</u>	Earth MS4/6		0
-	<u>7578401T</u>	Fuse 5A-tempo		0
-	<u>7575306D</u>	Fuse 6AM		0
-	<u>7576408B</u>	Fuse 8AM		0
-	<u>7575110R</u>	Fuse 10Ag		0
-	<u>7575310H</u>	Fuse 10AM		0
-	<u>7575112T</u>	Fuse 12Ag		0
-	<u>7576412F</u>	Fuse 12AM		0
-	<u>7573751P</u>	Fuse carrier GK1EV		0

-	<a href="#">7573381L</a>	Fuse support		0
-	<a href="#">7573242K</a>	Fuse support	BC31	0
-	<a href="#">7641121S</a>	Gland 21	Câble rond	0
-	<a href="#">7581725F</a>	Gland diam :30		0
-	<a href="#">7531623X</a>	Interlocked contactor	LC2D803E	0
-	<a href="#">7531122C</a>	Interlocked contactors 400V/48V - LC2D129E	AK1-AK2 - Moteur/Motor P1-P2-P3-N1-N2	0
-	<a href="#">7531325Y</a>	Interlocked contactors 400V/48V - LC2D259E	AK1-AK2 Moteur/Motor P5	0
-	<a href="#">7634431V</a>	Label - Off	ZB2BY2931	0
-	<a href="#">7532126U</a>	Main contactor 400V-48V	LC1D123E	0
-	<a href="#">7614060C</a>	Mounting plate for electric equipment		0
-	<a href="#">7633401A</a>	One step control part low voltage control with 1 « F » contact	ZB2 BE101	0
-	<a href="#">7633402B</a>	One step control part low voltage control with 1 « O » contact	ZB2 BE102	0
-	<a href="#">8812202F</a>	Pendant cable without green / yellow	20x1,5 mm <sup>2</sup>	0
-	<a href="#">7535214A</a>	Relay	LT25A30E	0
-	<a href="#">7533511Y</a>	Relay CA2DN122E		0
-	<a href="#">7535414T</a>	Relay FINDER	48V	0
-	<a href="#">7535213Z</a>	Relay POK 2A.		0
-	<a href="#">7632401P</a>	Rubber protection cover	XAC A960	0
-	<a href="#">7634416D</a>	Sticker backward	ZB2BY2916	0
-	<a href="#">7634417E</a>	Sticker backward high speed	ZB2BY2917	0
-	<a href="#">7634418F</a>	Sticker backward slow speed- high speed	ZB2BY2918	0
-	<a href="#">7634404R</a>	Sticker down	ZB2BY2904	0
-	<a href="#">7634405S</a>	Sticker down high speed	ZB2BY2905	0
-	<a href="#">7634406T</a>	Sticker down slow speed-high speed	ZB2BY2906	0
-	<a href="#">7634413A</a>	Sticker forward	ZB2BY4913	0
-	<a href="#">7634414B</a>	Sticker forward high speed	ZB2BY4914	0
-	<a href="#">7634415C</a>	Sticker forward slow speed-high speed	ZB2BY4915	0
-	<a href="#">7634410X</a>	Sticker left	ZB2BY2910	0
-	<a href="#">7634411Y</a>	Sticker left high speed	ZB2BY2911	0
-	<a href="#">7634412Z</a>	Sticker left slow and high speed	ZB2BY2912	0
-	<a href="#">7634430U</a>	Sticker ON	ZB2BY4930	0
-	<a href="#">7634435Z</a>	Sticker ON-ALARM	ZB2BY4935	0
-	<a href="#">7634407U</a>	Sticker right	ZB2BY4907	0
-	<a href="#">7634408V</a>	Sticker right high speed	ZB2BY4908	0
-	<a href="#">7634409W</a>	Sticker right slow speed-high speed	ZB2BY4909	0
-	<a href="#">7634401N</a>	Sticker UP	ZB2BY4901	0
-	<a href="#">7634402P</a>	Sticker UP high speed	ZB2BY4902	0
-	<a href="#">7634403Q</a>	Sticker UP slow speed-high speed	ZB2BY4903	0
-	<a href="#">7518161Q</a>	Transformer 630VA 380/0	24 24 12V	1
-	<a href="#">7532621G</a>	Two speed selection contactor	LC1D808E-TH	0
-	<a href="#">7532122Q</a>	Two speeds selection contactor	LC1D128E	0