

Spare parts catalog for "VR02 – Phase 1"

To avoid errors, when ordering please specify:

Complete type of hoist

Date of manufacture and serial number

Spare part code

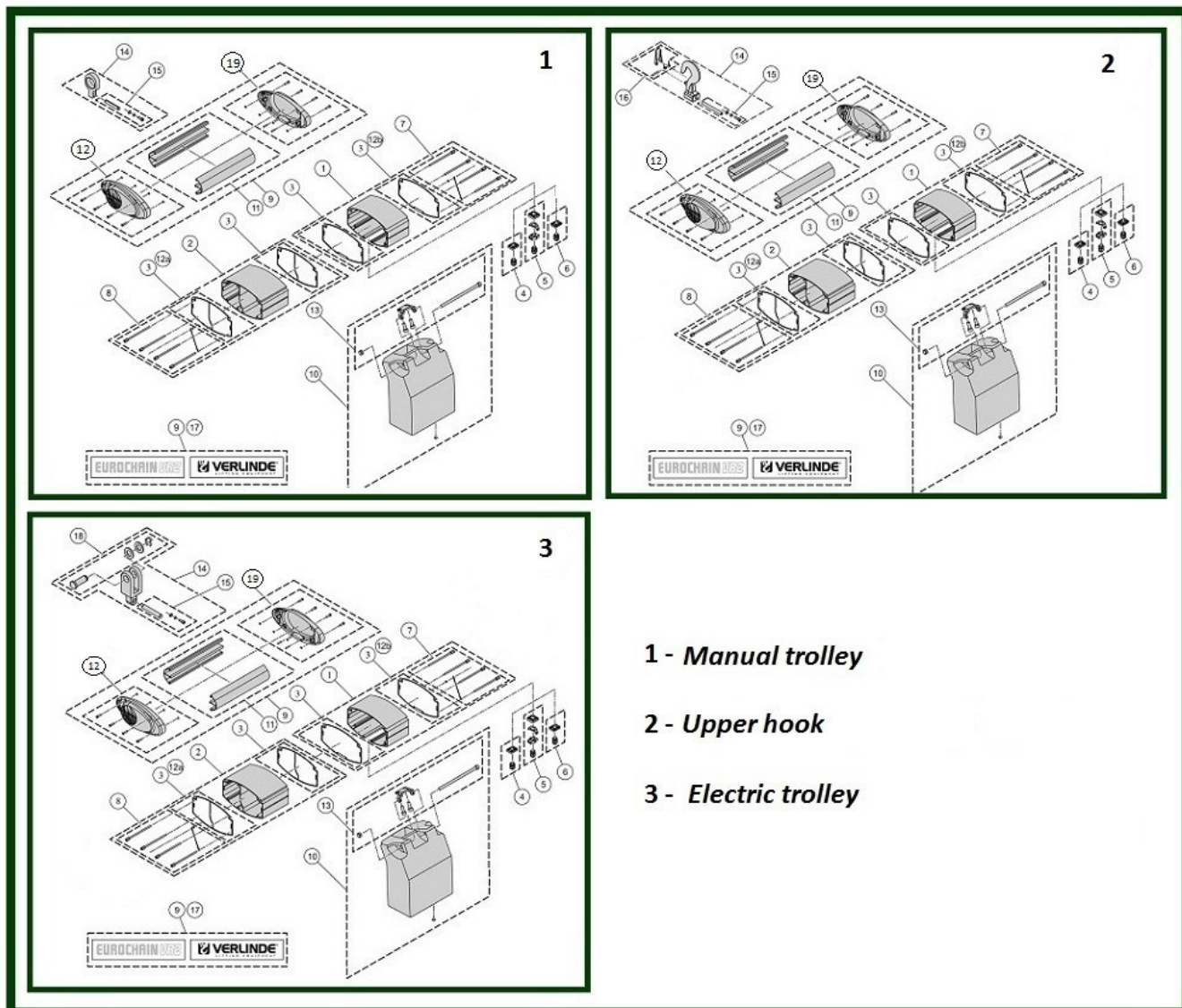
Spare part designation

Additional information

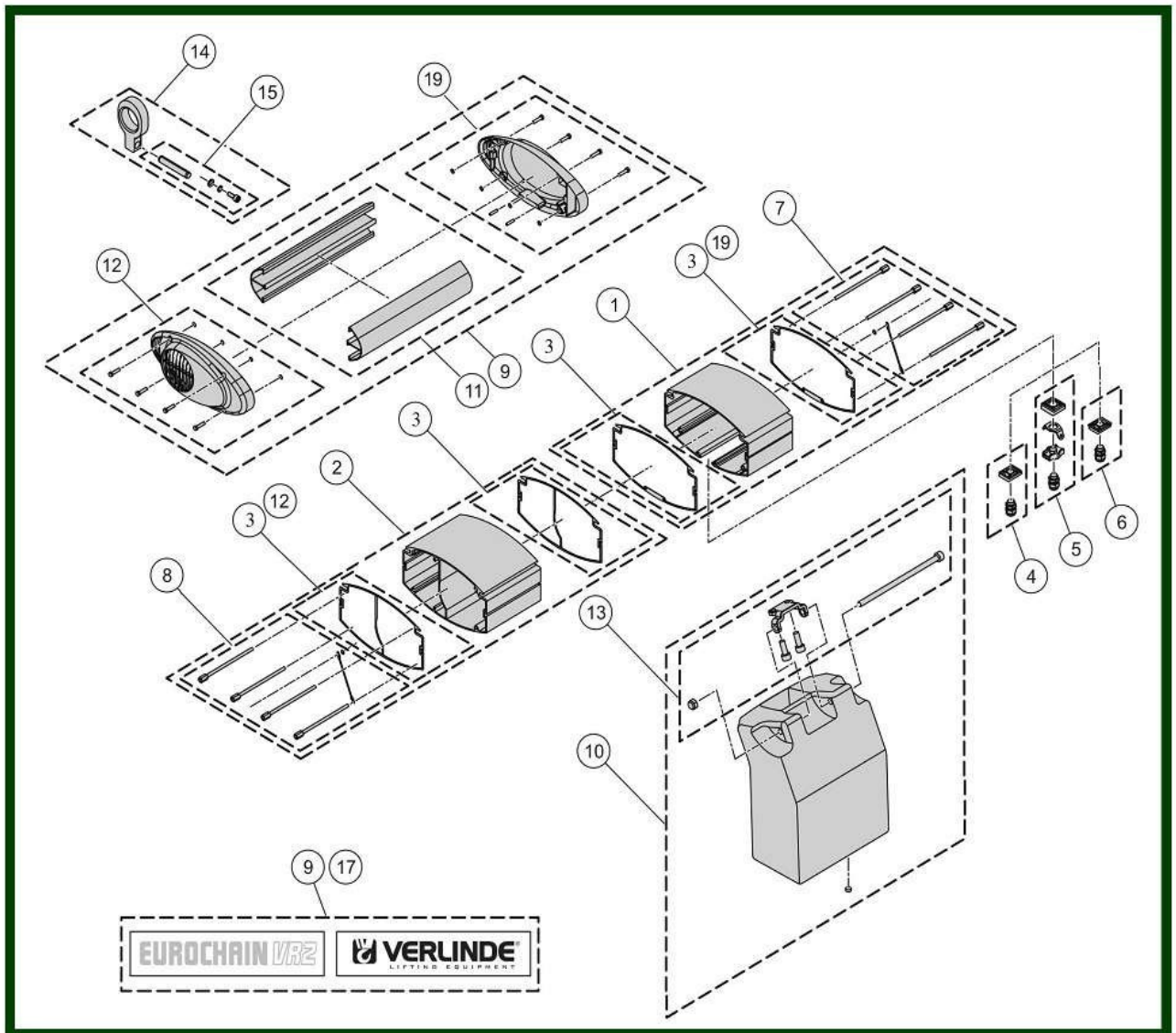


1. FRAME.....	3
1.1. Manual trolley.....	4
1.2. Upper hook.....	6
1.3. Electric trolley.....	8
2. CHAIN GUIDE.....	10
2.1. Digichain	12
2.2. Precut chain.....	15
3. GEAR	16
3.1. Single brake – Standard limit switch	17
3.2. Double brakes - Standard limit switch	19
4. MOTOR	21
4.1. Single brake	22
4.2. Double brakes.....	24
5. ELECTRICAL PARTS	26
5.1. Solo Equipment– Standard	27
5.2. Equipment for Eurosystem - Steel - Alu. & PRV	30
5.3. Equipment for crane kit - For UT+GTR+GTN.....	33
5.4. Without electric component.....	35
5.5. Direct voltage – ACF.....	36
5.6. Solo hoist – Harding wiring	37
6. PUSH BUTTON CONTROLLER.....	38
6.1. 2 buttons	39
6.2. 4 buttons	41
6.3. 6 buttons	43
6.4. 2 and 4 buttons ERGOMOVE - From September 2014	44
6.5. 6 buttons ERGOMOVE – From September 2014	46
6.6. 10 buttons – ERGOMOVE – From September 2014.....	48
6.7. 10 Buttons – ERGOMOVE – Option pendant label.....	50
7. TROLLEY – NORMAL HEADROOM TROLLEY.....	52
7.1. C1 Trolley - 0 to 1000 kg – Hanging version.....	53
7.2. C1 Trolley – 0 to 1000 Kg – Coupled version	55
7.3. Inverter TMU motor VR hoist	57
7.4. Two speeds TMU motor for VR hoist.....	58
7.5. Chain travel.....	60
7.6. Right angle motor	61
8. LOW HEADROOM TROLLEY	62
9. CHD MANUAL TROLLEY.....	64

1. FRAME



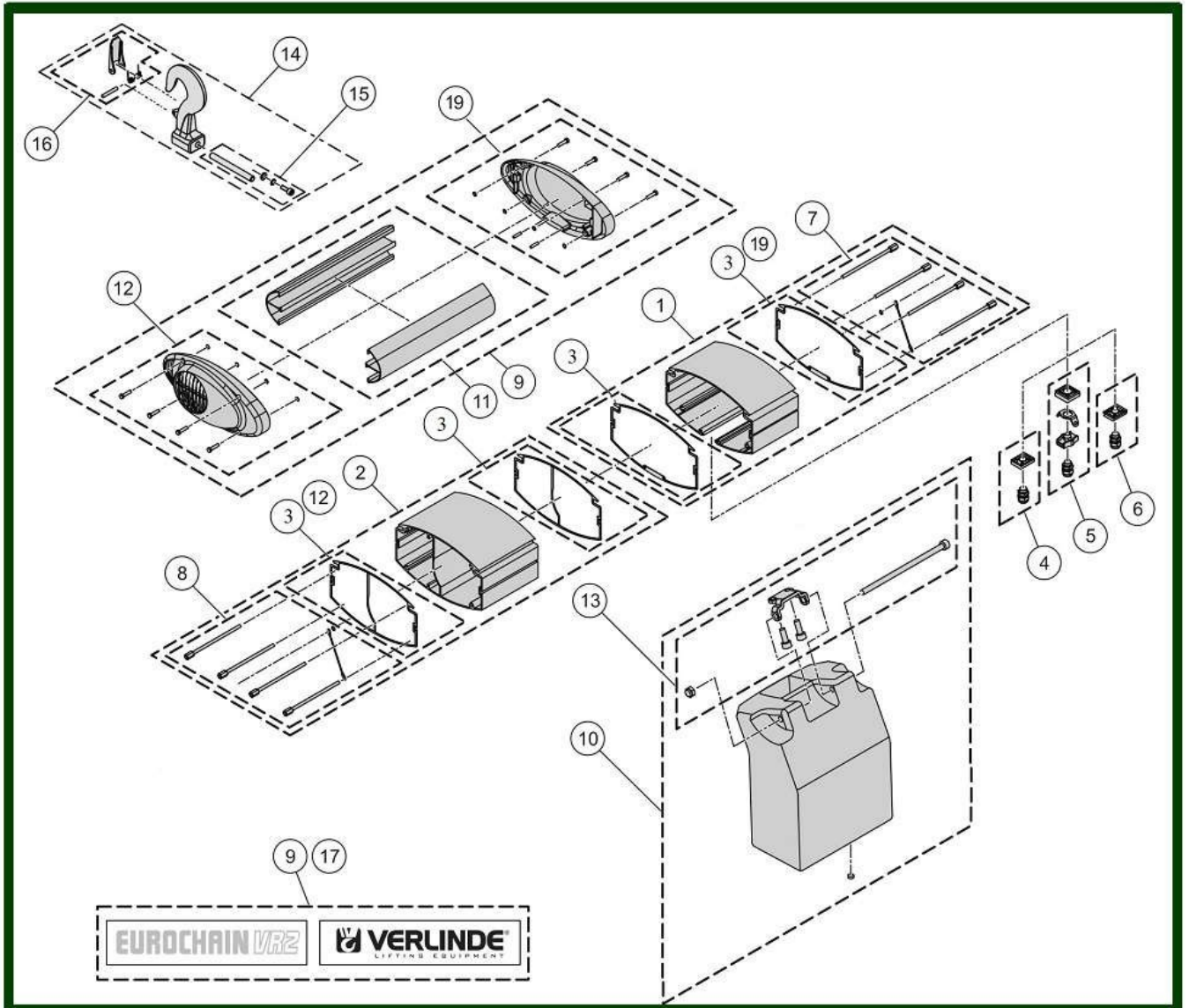
1.1. Manual trolley



Manual trolley

Item	Reference	Description	Observation	Quantity
1	VT0004898	Frame - Brake side	Single brake	1
2	VT0004868	Frame - Motor side	Single brake	1
3	VT0004542	Sealings set		1
4	VT0006454	Square cable entry	12G1.5/4G2.5/4G 6mm2 - ISO 25	1
4	VT0006393	Cable gland set Square cable entry	CG M20- ISO 20 Trolley – Power supply	1
4	VT0005089	Cable gland set Rectangular entry	Power supply - Only VR2 ISO 20	1
5	VT0005090	Cable gland set Square cable entry	Push button controller From September 2014	1
6	VT0005091	End cap Rectangular entry	Power supply - Only VR2	1
6	VT0006089	Bouchon Square cable entry		1
7	VT0006278	Screws set M6L127 - Brake side	Single brake + Gear limit switch 2 comes	1
8	VT0006279	Screws set M6L155 - Motor side	Single brake	1
9	VT0006276	Capot	Single brake	1
10	VT0004544	Chain bucket	6 m	1
10	VT0006284	Chain bucket	16 m	1
10	VT0006667	Chain bucket	35 m	1
11	VT0004545	Cover set	Single brake	1
12	VT0006282	Cover set - Motor side		1
13	VT0004547	Fixing set of Chain bucket	6 m + 16 m + 35 m	1
14	VT0009132	Suspension eye Parallel	Manual trolley	1
14	VT0004803	Suspension eye Perpendicular	Manual trolley	1
15	VT0004539	Shaft set		1
17	VT0006275	Set of 10 stickers - Brand	Single brake	1
19	VT0006283	Cover set - Brake side		1
20	VT0006451	Set of 10 load plates	63 Kg	1
20	VT0006241	Set of 10 load plates	125 Kg	1
20	VT0006450	Set of 10 load plates	160 Kg	1
20	VT0006091	Set of 10 load plates	250 Kg	1
20	VT0006449	Set of 10 load plates	320 Kg	1
21	VT0006026	Identification plate	Serial number request	1

1.2. Upper hook

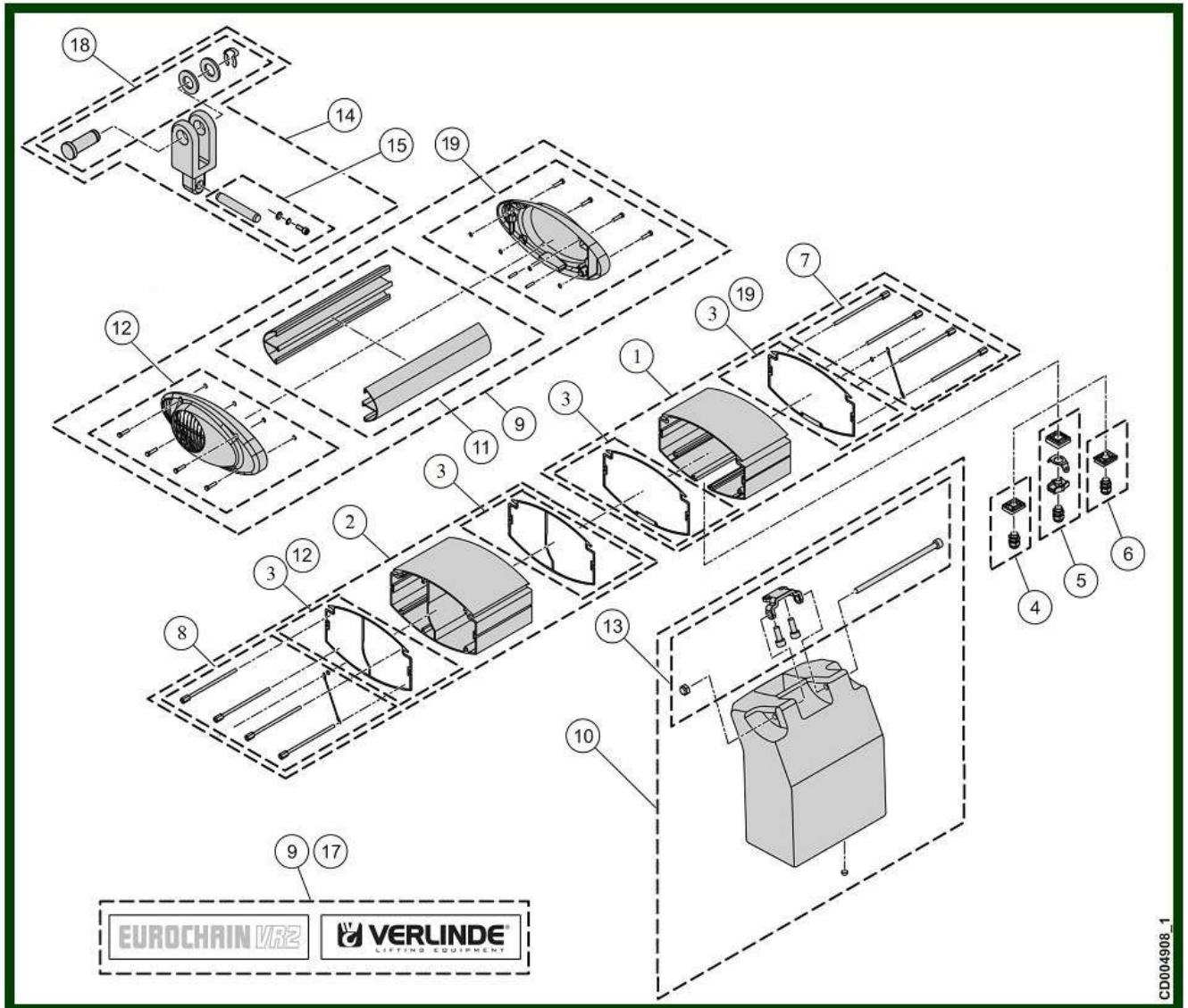


Upper hook

Item	Reference	Description	Observation	Quantity
1	<u>VT0004898</u>	Frame - Brake side	Single brake	1
2	<u>VT0004868</u>	Frame - Motor side	Single brake	1
3	<u>VT0004542</u>	Sealings set		1
4	<u>VT0006454</u>	Cable gland set flat cable Square cable entry	12G1.5/4G2.5/4G6mm2 - ISO 25	1
4	<u>VT0006393</u>	Cable gland set Square cable entry	CG M20- ISO 20 Trolley - Power supply	1
4	<u>VT0005089</u>	Cable gland set Rectangular entry	Power supply - Only VR2 ISO 20	1
5	<u>VT0005090</u>	Cable gland set Square cable entry	Push button controller From September 2014	1
6	<u>VT0005091</u>	Bouchon Rectangular entry	Power supply - Only VR2	1
6	<u>VT0006089</u>	Bouchon Square cable entry		1
7	<u>VT0006278</u>	Screws set M6L127 - Brake side	Single brake + Gear limit switch 2 comes	1
8	<u>VT0006279</u>	Screws set M6L155 - Motor side	Single brake	1
9	<u>VT0006276</u>	Capot	Single brake	1
10	<u>VT0004544</u>	Chain bucket	6 m	1
10	<u>VT0006284</u>	Chain bucket	16 m	1
10	<u>VT0006667</u>	Chain bucket	35 m	1
11	<u>VT0004545</u>	Cover set	Single brake	1
12	<u>VT0006282</u>	Cover set - Motor side		1
13	<u>VT0004547</u>	Fixing set of Chain bucket	6 m + 16 m + 35 m	1
14	<u>VT0004925</u>	Crochet fixe		1
15	<u>VT0004539</u>	Shaft set		1
16	<u>VT0004905</u>	Safety latch set		1
17	<u>VT0006275</u>	10 stickers set - Brand	Single brake	1
19	<u>VT0006283</u>	Cover set - Brake side		1
20	<u>VT0006451</u>	Set of 10 load plates	63 Kg	1
20	<u>VT0006241</u>	Set of 10 load plates	125 Kg	1
20	<u>VT0006450</u>	Set of 10 load plates	160 Kg	1
20	<u>VT0006091</u>	Set of 10 load plates	250 Kg	1
20	<u>VT0006449</u>	Set of 10 load plates	320 Kg	1
21	<u>VT0006026</u>	Identification plate	Serial number request	1
-	<u>VT0006759</u>	Parallel hook		1

1.3. Electric trolley

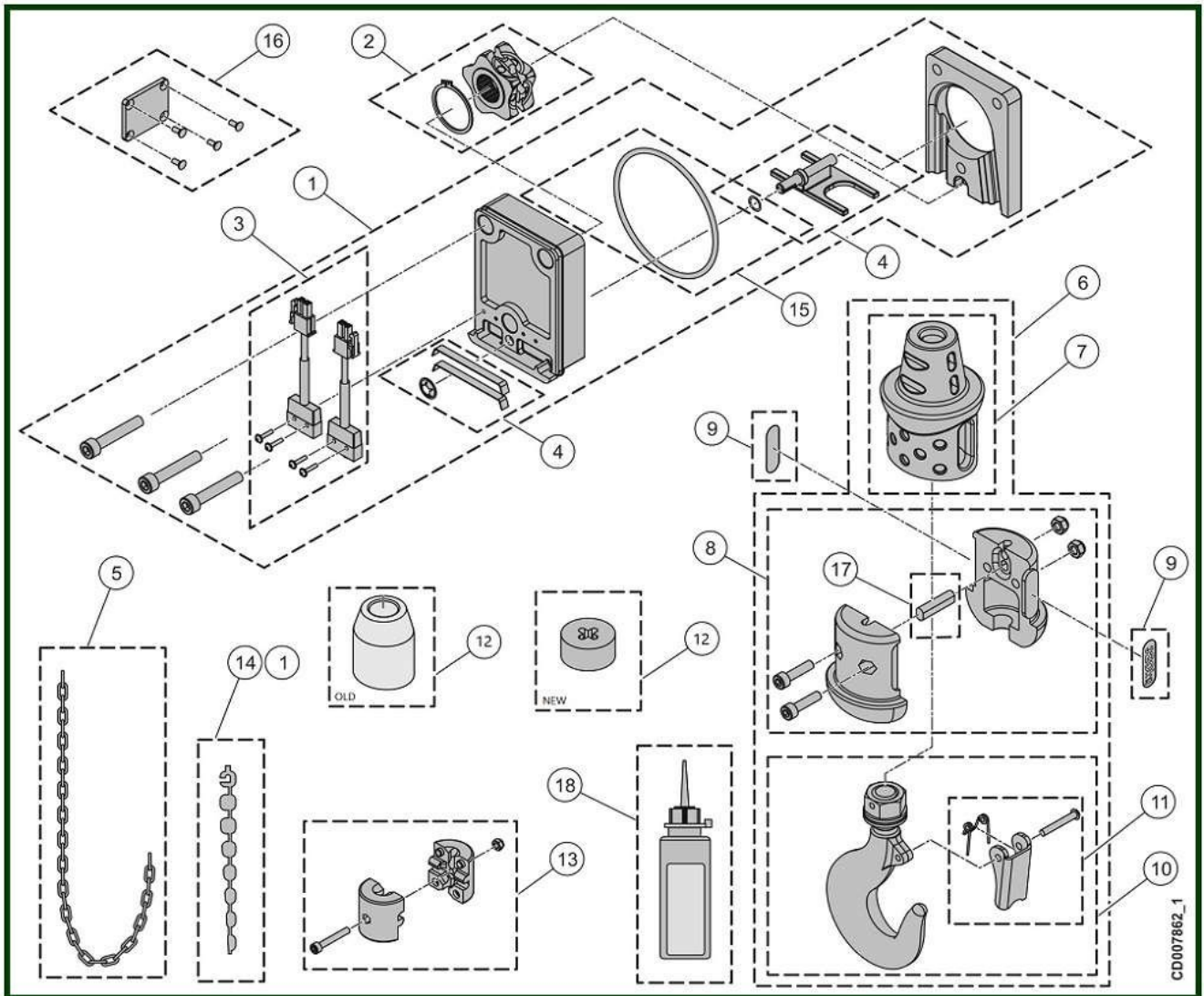
0 to 1000 kg



Electric trolley

Item	Reference	Description	Observation	Quantity
1	<u>VT0004898</u>	Frame - Brake side	Single brake	1
2	<u>VT0004868</u>	Frame - Motor side	Single brake	1
3	<u>VT0004542</u>	Sealings set		1
4	<u>VT0006454</u>	Cable gland set flat cable - Square cable entry	12G1.5/4G2.5/4G6mm2 - ISO 25	1
4	<u>VT0006393</u>	Cable gland set Square cable entry	CG M20- ISO 20 Trolley-Power supply	1
4	<u>VT0005089</u>	Cable gland set Rectangular entry	Power supply - Only VR2 ISO 20	1
5	<u>VT0005090</u>	Cable gland set Square cable entry	Push button controller From September 2014	1
6	<u>VT0005091</u>	Bouchon Rectangular entry	Power supply - Only VR2	1
6	<u>VT0006089</u>	Bouchon Square cable entry		1
7	<u>VT0006278</u>	Screws set M6L127 - Brake side	Single brake + Gear limit switch 2 comes	1
8	<u>VT0006279</u>	Screws set M6L155 - Motor side	Single brake	1
9	<u>VT0006276</u>	Capot	Single brake	1
10	<u>VT0004544</u>	Chain bucket	6 m	1
10	<u>VT0006284</u>	Chain bucket	16 m	1
10	<u>VT0006667</u>	Chain bucket	35 m	1
11	<u>VT0004545</u>	Cover set	Single brake	1
12	<u>VT0006282</u>	Cover set - Motor side		1
13	<u>VT0004547</u>	Fixing set de Chain bucket	6 m + 16 m + 35 m	1
14	<u>VT0005309</u>	Coupling part Electric trolley	0 to 1000 Kg	1
15	<u>VT0004539</u>	Shaft set		1
17	<u>VT0006275</u>	Set of 10 stickers - Marque	Single brake	1
18	<u>VT0006281</u>	Shaft set - Electric trolley		1
19	<u>VT0006283</u>	Cover set - Brake side		1
20	<u>VT0006451</u>	Set of 10 load plates	63 Kg	1
20	<u>VT0006241</u>	Set of 10 load plates	125 Kg	1
20	<u>VT0006450</u>	Set of 10 load plates	160 Kg	1
20	<u>VT0006091</u>	Set of 10 load plates	250 Kg	1
20	<u>VT0006449</u>	Set of 10 load plates	320 Kg	1
21	<u>VT0006026</u>	Identification plate	Serial number request	1

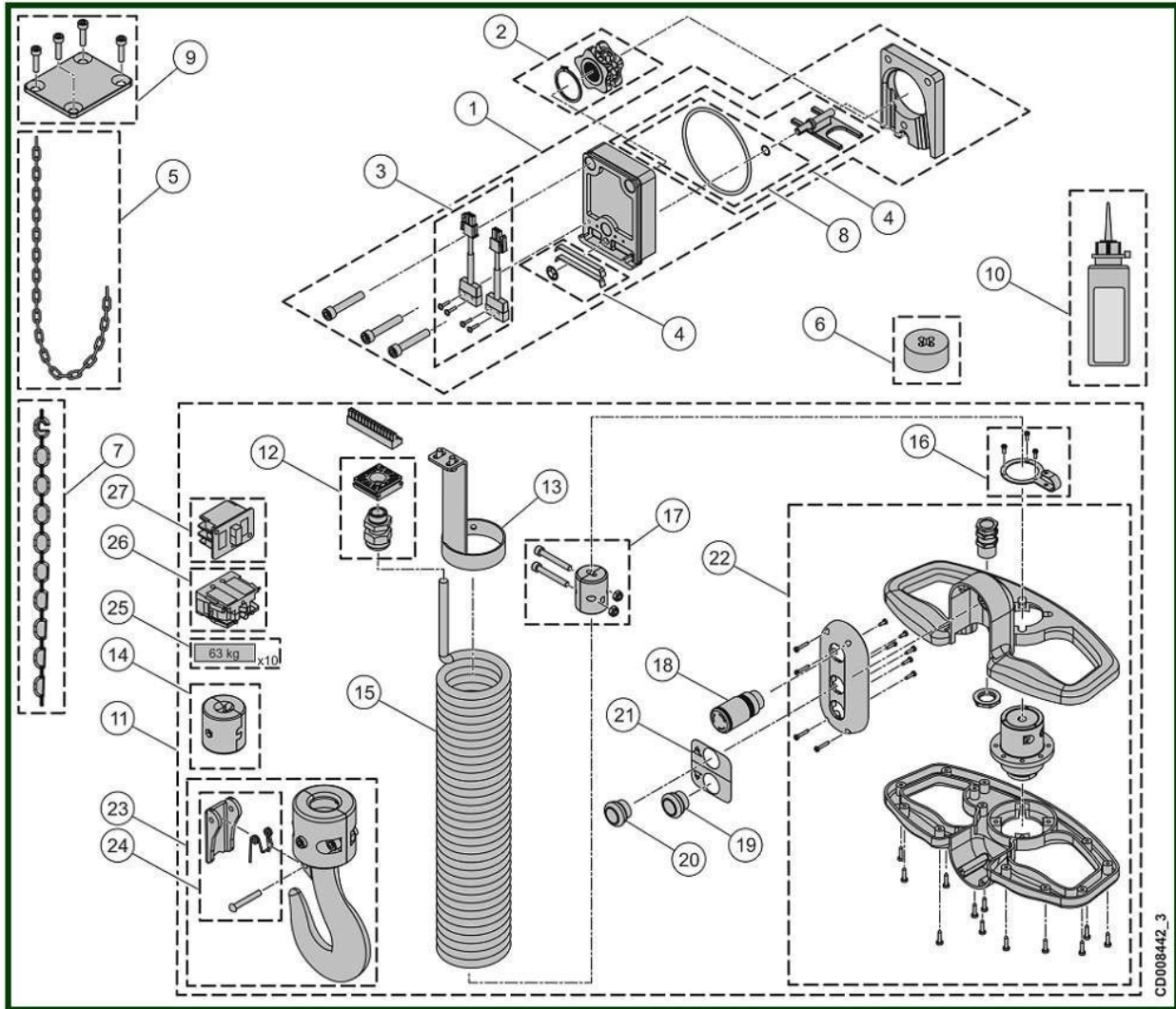
2. CHAIN GUIDE



CHAIN GUIDE

Item	Reference	Description	Observation	Quantity
1	<u>VT0006426</u>	Chain guide	Chain 4x11	1
2	<u>VT0004540</u>	Chain sprocket		1
3	<u>VT0004876</u>	Switch set		1
4	<u>VT0004541</u>	Limit switch activator		1
5	<u>VT0005076</u>	Galvanized chain - 4x11	Standard	1
5	<u>VT0006274</u>	Stainless steel chain - 4x11	BE CAREFUL : The max load have to be decreased	1
6	<u>VT0006490</u>	Hook block - 1 fall	Automatic hook	1
6	<u>VT0006489</u>	Hook block - 1 fall	Stainless steel hook	1
6	<u>VT0004928</u>	Hook block - 1 fall	Standard hook	1
7	<u>VT0004930</u>	Rubber chain stop		1
8	<u>VT0004725</u>	Half casing set		1
9	<u>VT0006285</u>	Set of 10 load plates	63 Kg	1
9	<u>VT0006344</u>	Set of 10 load plates	125 Kg	1
9	<u>VT0006345</u>	Set of 10 load plates	160 Kg	1
9	<u>VT0006346</u>	Set of 10 load plates	250 Kg	1
9	<u>VT0006347</u>	Set of 10 load plates	320 Kg	1
10	<u>VT0006455</u>	Hook assembly	BE CAREFUL : Stainless steel chain The max load have to be decreased	1
10	<u>VT0004926</u>	Hook assembly	Standard	1
10	<u>VT0006427</u>	Hook assembly	Automatic - 1+2 falls	1
11	<u>VT0004905</u>	Safety latch set	Standard hook	1
12	<u>VT0004934</u>	Rubber chain stop Old model	BE CAREFUL : Stainless steel chain The max load have to be decreased	1
12	<u>VT0007576</u>	Rubber chain stop Since 17/06/2015		1
13	<u>VT0004878</u>	Chain stop		1
14	<u>VT0005573</u>	Chain fitting tool	CHCM-011	1
15	<u>VT0006096</u>	Sealing		1
16	<u>VT0005087</u>	End cap	Chain guide	1
17	<u>VT0006093</u>	Pin		1
-	<u>VT0006025</u>	Oil can		1

2.1. Digichain



Digichain

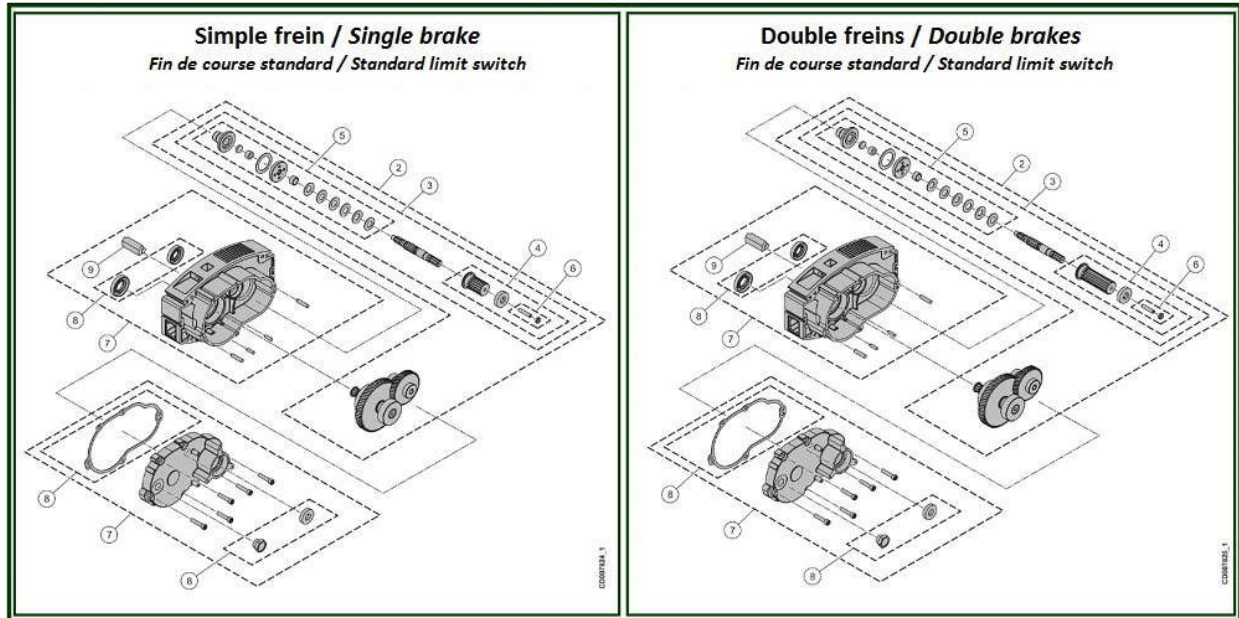
Item	Reference	Description	Observation	Quantity
1	<u>VT0006426</u>	Chain guide	Chain 4x11	1
2	<u>VT0004540</u>	Chain sprocket		1
3	<u>VT0004724</u>	Switch set		1
4	<u>VT0004541</u>	Limit switch activator		1
5	<u>VT0005076</u>	Galvanized chain - 4x11	Standard	1
5	<u>VT0006274</u>	Stainless steel chain - 4x11	Be careful : hoist downgraded	1
6	<u>VT0007576</u>	Rubber chain stop Since 17/06/2015		1
7	<u>VT0005573</u>	Chain fitting tool	CHCM-011	1
8	<u>VT0005096</u>	Sealing		1
9	<u>VT0005087</u>	End cap	Guide Chain	1
10	<u>VT0006025</u>	Oil can		1
11	<u>VT0006332</u>	Digichain sub assy.	Lg 3m	1
11	<u>VT0009201</u>	Digichain sub assy.	Lg 5m	1
12	<u>VT0006393</u>	Cable gland set Square cable entry	CG M20- ISO 20 Trolley-Power supply	1
13	<u>VT0009203</u>	Fixing set	D70H148	1
14	<u>VT0007575</u>	Chain stop	L30W32H50	1
15	<u>VT0009205</u>	Spiral cable	Lg 3m	1
15	<u>VT0009206</u>	Spiral cable	Lg 5m	1
16	<u>VT0008839</u>	Fixing plate		1
17	<u>VT0009207</u>	Coupling set	D35H45	1
18	<u>VT0006548</u>	Emergency push button		1
19	<u>VT0009208</u>	White button	XACA9411	1
20	<u>VT0009209</u>	Push button	XACA9412	1
21	<u>VT0009210</u>	Up & down sticker	CCGCPBPB-00	1
22	<u>VT0009211</u>	Pendant box module	CC05PBPB-01	1
23	<u>VT0009014</u>	Standard safety hook	RSN020T-HCH	1
24	<u>VT0004968</u>	Safety latch set -0,12T-0,25T	Single brake- Standard hook	1

25	<u>VT0009164</u>	Set of 10 load plates	63 kg	1
25	<u>VT0009165</u>	Set of 10 load plates	80 kg	1
25	<u>VT0009166</u>	Set of 10 load plates	125 kg	1
25	<u>VT0009167</u>	Set of 10 load plates	160 kg	1
25	<u>VT0009168</u>	Set of 10 load plates	250 kg	1
25	<u>VT0009169</u>	Set of 10 load plates	320 kg	1
25	<u>VT0009170</u>	Set of 10 load plates	500 kg	1
26	<u>VT0009212</u>	Contact block	XAC-S 414	1
27	<u>VT0007879</u>	Contact block	XENG1191	1

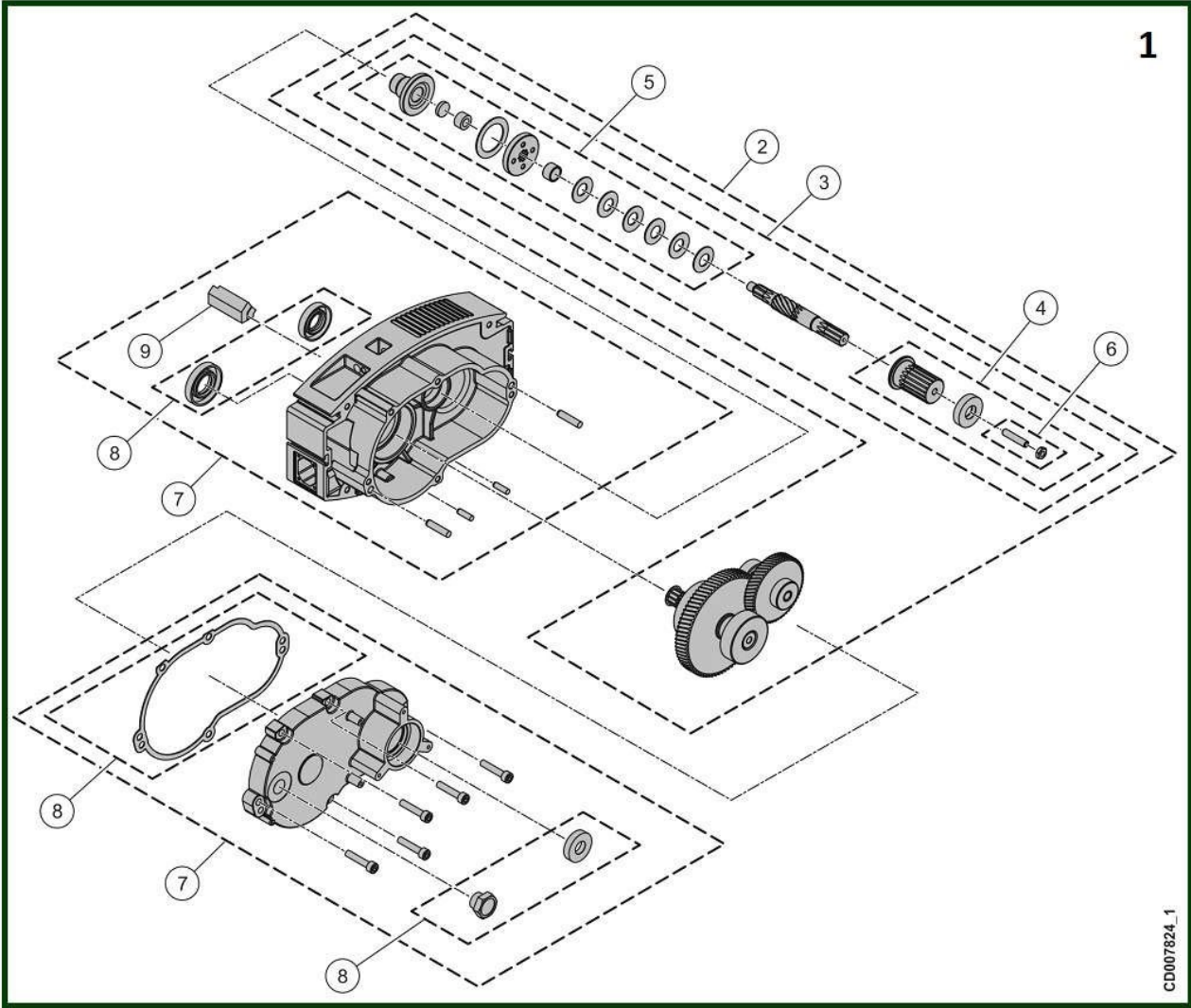
2.2. Precut chain

Item	Reference	Description	Observation	Quantity
	<u>53020235</u>	Galvanized load chain 4x11	4 m	1
	<u>53020251</u>	Galvanized load chain 4x11	6 m	1

3. GEAR



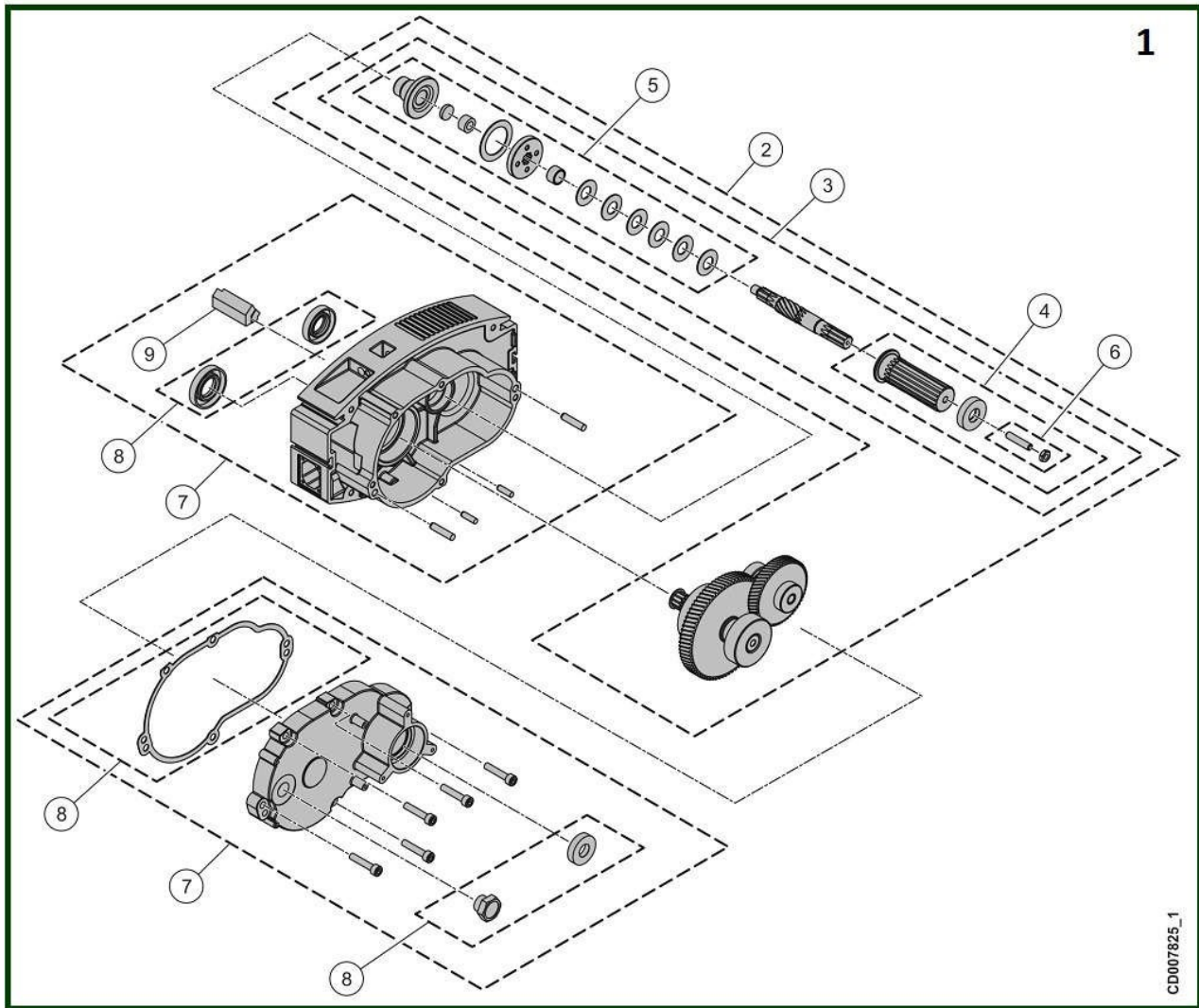
3.1. Single brake – Standard limit switch



Single brake – Standard limit switch

Item	Reference	Description	Observation	Quantity
1	<u>VT0007624</u>	Gear assembly Inferior or equal to 63 Kg	4m/8m/min	1
1	<u>VT0007625</u>	Gear assembly Inferior or equal to 63 Kg	10m/min	1
1	<u>VT0007626</u>	Gear assembly Inferior or equal to 63 Kg	16m/min	1
1	<u>VT0007627</u>	Gear assembly Inferior or equal to 63 Kg	20m/min	1
1	<u>VT0007588</u>	Gear assembly More than 63 Kg	4-8 m/min	1
1	<u>VT0007622</u>	Gear assembly More than 63 Kg	10m/min	1
1	<u>VT0007589</u>	Gear assembly More than 63 Kg	16m/min	1
1	<u>VT0007623</u>	Gear assembly More than 63 Kg	20m/min	1
2	<u>VT0007634</u>	Gear / Pinion set Inferior or equal to 63 Kg	4m/8m/min	1
2	<u>VT0007635</u>	Gear / Pinion set Inferior or equal to 63 Kg	10m/min	1
2	<u>VT0007638</u>	Gear / Pinion set Inferior or equal to 63 Kg	16m/min	1
2	<u>VT0007639</u>	Gear / Pinion set Inferior or equal to 63 Kg	20m/min	1
2	<u>VT0006286</u>	Gear / Pinion set More than 63 Kg	4m/8m/min	1
2	<u>VT0006289</u>	Gear / Pinion set More than 63 Kg	10m/min	1
2	<u>VT0006290</u>	Gear / Pinion set More than 63 Kg	16m/min	1
2	<u>VT0006291</u>	Gear / Pinion set More than 63 Kg	20m/min	1
3	<u>VT0004727</u>	Coupling - Brake side More than 63 Kg	Single brake	1
3	<u>VT0007640</u>	Gear shaft with clutch Inferior or equal to 63 Kg	Single brake	1
4	<u>VT0004548</u>	Coupling - Brake side	Single brake	1
5	<u>VT0006114</u>	Clutch Inferior or equal to 63 Kg		1
5	<u>VT0004939</u>	Clutch More than 63 Kg		1
6	<u>VT0006107</u>	Screws set		1
7	<u>VT0004940</u>	Frame	Standard	1
8	<u>VT0004844</u>	Sealing set	Standard	1
9	<u>VT0004650</u>	Grommet		1

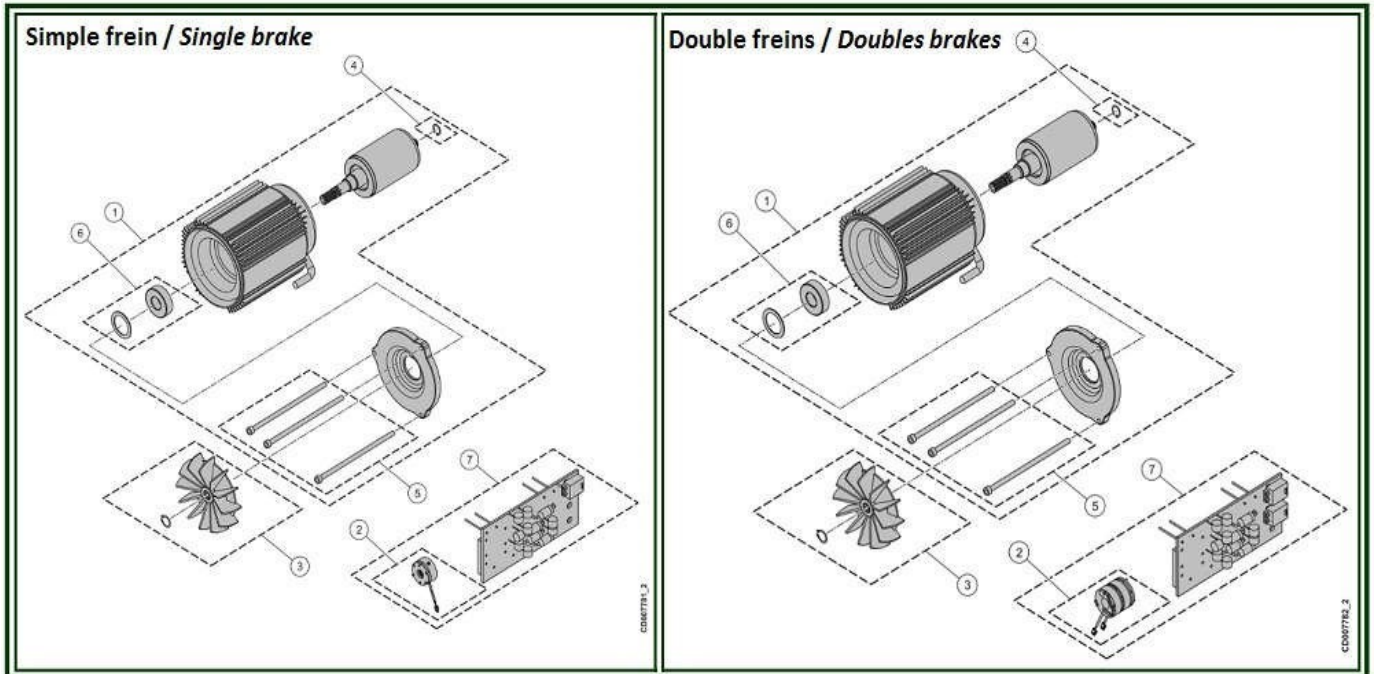
3.2. Double brakes - Standard limit switch



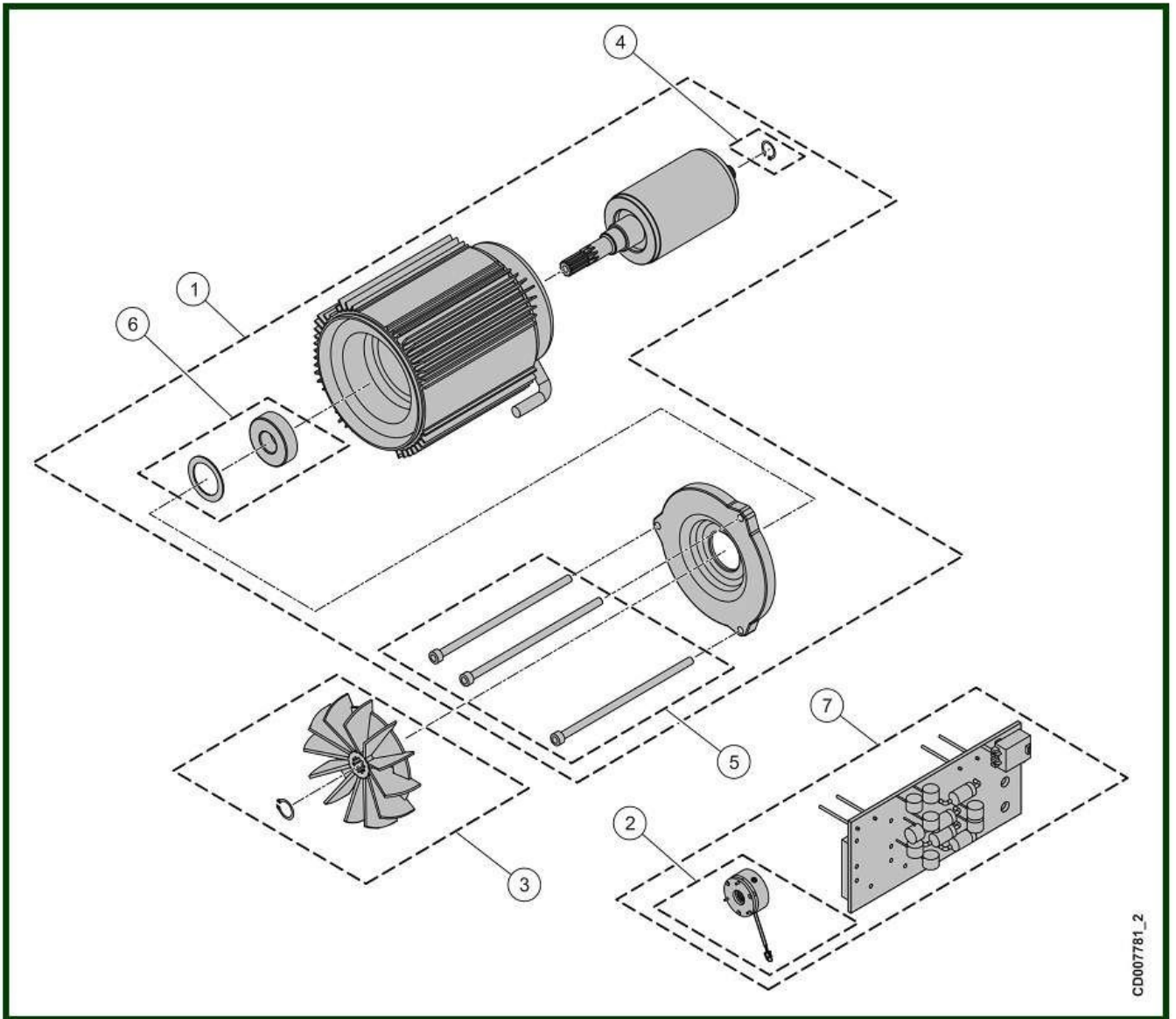
Double brakes - Standard limit switch

Item	Reference	Description	Observation	Quantity
1	<u>VT0007630</u>	Gear assembly Inferior or equal to 63 Kg	4m/8m/min	1
1	<u>VT0007631</u>	Gear assembly Inferior or equal to 63 Kg	10m/min	1
1	<u>VT0007632</u>	Gear assembly Inferior or equal to 63 Kg	16m/min	1
1	<u>VT0007633</u>	Gear assembly Inferior or equal to 63 Kg	20m/min	1
1	<u>VT0006988</u>	Gear assembly More than 63 Kg	4-8 m/min	1
1	<u>VT0007628</u>	Gear assembly More than 63 Kg	10m/min	1
1	<u>VT0006987</u>	Gear assembly More than 63 Kg	16m/min	1
1	<u>VT0007629</u>	Gear assembly More than 63 Kg	20m/min	1
2	<u>VT0007646</u>	Gear / pinion set Inferior or equal to 63 Kg	4m/8m/min	1
2	<u>VT0007647</u>	Gear / pinion set Inferior or equal to 63 Kg	10m/min	1
2	<u>VT0007648</u>	Gear / pinion set Inferior or equal to 63 Kg	16m/min	1
2	<u>VT0007649</u>	Gear / pinion set Inferior or equal to 63 Kg	20m/min	1
2	<u>VT0007642</u>	Gear / Pinion set More than 63 Kg	4/8m/min	1
2	<u>VT0007643</u>	Gear / Pinion set More than 63 Kg	10m/min	1
2	<u>VT0007644</u>	Gear / Pinion set More than 63 Kg	16m/min	1
2	<u>VT0007645</u>	Gear - Pinion set More than 63 Kg	20m/min	1
3	<u>VT0007651</u>	Gear shaft with clutch Inferior or equal to 63 Kg	Double brakes	1
3	<u>VT0007650</u>	Gear shaft with clutch More than 63 Kg	Double brakes	1
4	<u>VT0007641</u>	Coupling - Brake side More than 63 Kg	Double brakes	1
5	<u>VT0006114</u>	Clutch - Inferior or equal to 63 Kg		1
5	<u>VT0004939</u>	Clutch - More than 63 Kg		1
6	<u>VT0006107</u>	Screws set		1
7	<u>VT0004940</u>	Frame	Standard	1
8	<u>VT0004844</u>	Sealing set	Standard	1
9	<u>VT0004650</u>	Grommet		1

4. MOTOR



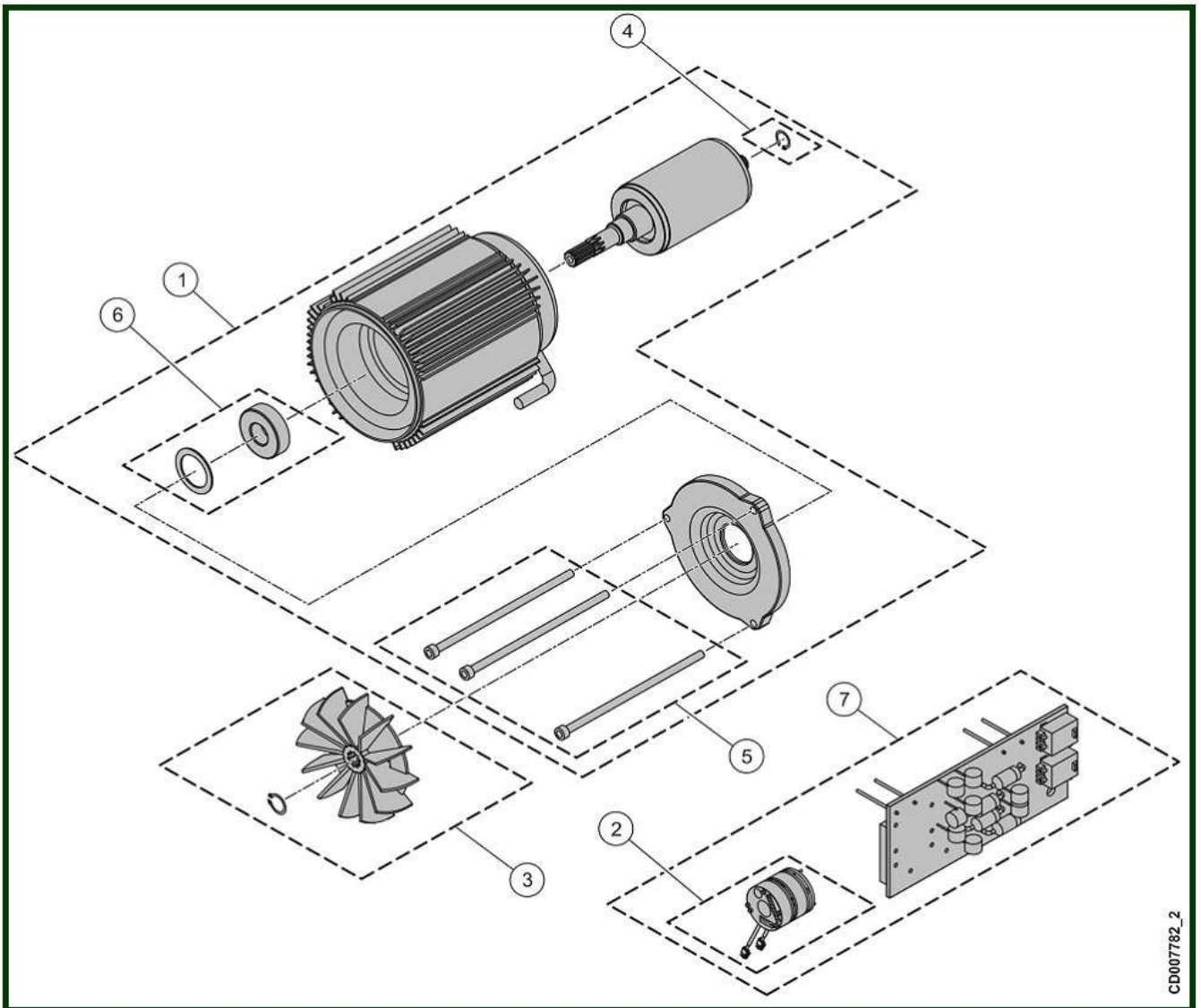
4.1. Single brake



Single brake

Item	Reference	Description	Observation	Quantity
1	<u>VT0007718</u>	Motor - 2 speeds 208-230V 60Hz	4 m/min 1500/750tr/min	1
1	<u>VT0004654</u>	Motor - 2 speeds 208-230V 60Hz	8-10-16-20m/min	1
1	<u>VT0007716</u>	Motor - 2 speeds 220-240V 50Hz	4 m/min 1500/750tr/min	1
1	<u>VT0004660</u>	Motor - 2 speeds 220-240V 50Hz	8-10-16-20m/min 3000/750tr/min	1
1	<u>VT0007719</u>	Motor - 2 speeds 380-400V 60Hz	4 m/min 1500/750tr/min	1
1	<u>VT0007715</u>	Motor 2 speeds 380-400V 60Hz	8-10-16-20m/min 3000/750tr/min	1
1	<u>VT0006307</u>	Motor - 2 speeds 380-415V 50Hz 440-480V 60Hz	4 m/min 1500/750tr/min 1800/900tr/min	1
1	<u>VT0004651</u>	Motor - 2 speeds 380-415V 50Hz 440-480 60Hz	8-10-16-20m/min 3000/750tr/min 3600/900tr/min	1
1	<u>VT0006755</u>	Motor - 2 speeds 500-525V 50Hz 575-600V 60Hz	8-10-16-20m/min	1
1	<u>VT0007717</u>	Motor - 2 speeds 500-525V/50Hz 575-600V/60Hz	4 m/min 1500/750tr/min	1
2	<u>VT0006353</u>	Single brake – 240 DC	500V à 525V	1
2	<u>VT0006354</u>	Single brake – 320 DC	690V	1
2	<u>VT0006260</u>	Single brake – 103 DC	208V à 230V	1
2	<u>VT0004662</u>	Single brake – 180 DC	380V à 480V	1
3	<u>VT0004641</u>	Fan set		1
4	<u>VT0004663</u>	Retaining ring		1
5	<u>VT0005088</u>	Screw set		1
6	<u>VT0004665</u>	Screws set		1
7	<u>VT0006261</u>	Single brake 103V + Rectifier		1
7	<u>VT0006186</u>	Single brake 190V + Rectifier		1

4.2. Double brakes

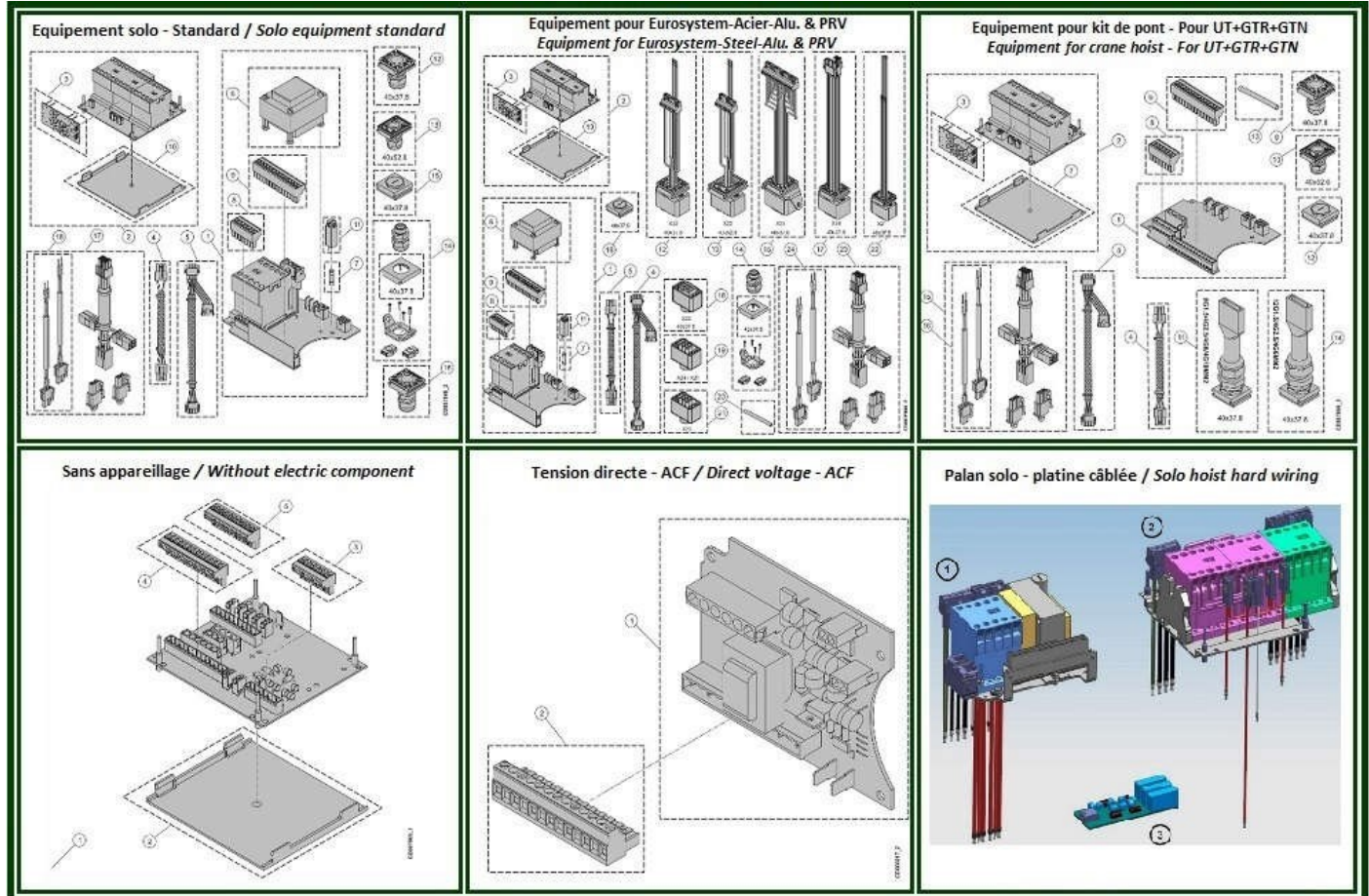


CD007782_2

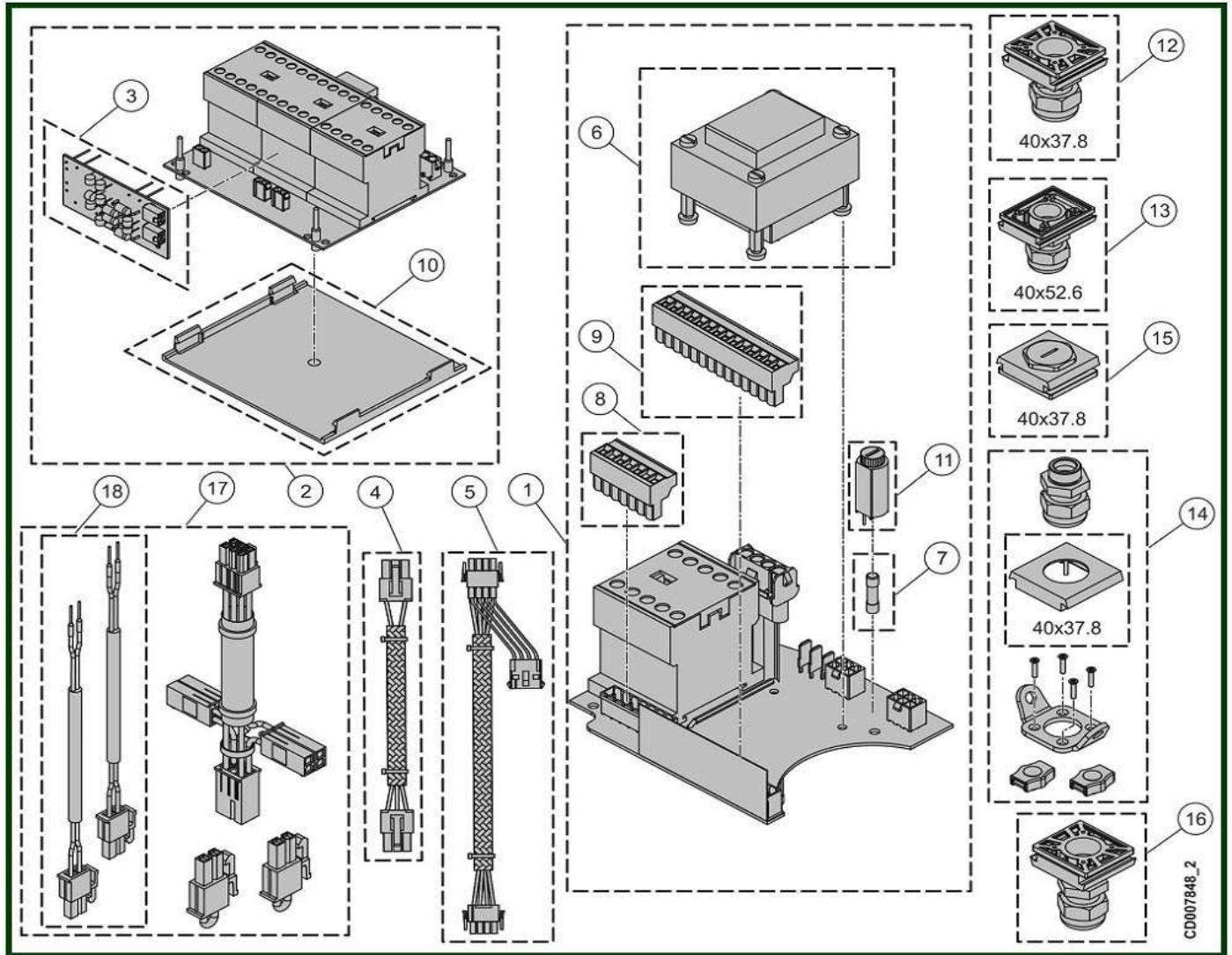
Double brakes

Item	Reference	Description	Observation	Quantity
1	<u>VT0007718</u>	Motor - 2 speeds 208-230V 60Hz	4 m/min (1500/750tr/min)	1
1	<u>VT0004654</u>	Motor - 2 speeds 208-230V - 60Hz	8-10-16-20m/min (3000/750tr/min)	1
1	<u>VT0007716</u>	Motor - 2 speeds 220-240V 50Hz	4 m/min (1500/750tr/min)	1
1	<u>VT0004660</u>	Motor - 2 speeds 220-240V 50Hz	8-10-16-20m/min (3000/750tr/min)	1
1	<u>VT0007719</u>	Motor - 2 speeds 380-400V 60Hz	4 m/min (1500/750tr/min)	1
1	<u>VT0007715</u>	Motor - 2 speeds 380-400V 60Hz	8-10-16-20m/min (3000/750tr/min)	1
1	<u>VT0006307</u>	Motor - 2 speeds 380-415V 50Hz 440-480V 60Hz	4 m/min (1500/750tr/min) (1800/900tr/min)	1
1	<u>VT0004651</u>	Motor - 2 speeds 380-415V 50Hz 440-480 60Hz	8-10-16-20m/min (3000/750tr/min) (3600/900tr/min)	1
1	<u>VT0007717</u>	Motor - 2 speeds 500-525V/50Hz 575-600V/60Hz	2-4 m/min	1
1	<u>VT0006755</u>	Motor - 2 speeds 500-525V 50Hz 575-600V 60Hz	8-10-16-20m/min	1
2	<u>VT0006185</u>	Double brakes - 103DC	230V	1
2	<u>VT0006184</u>	Double brakes - 190DC	400V	1
2	<u>VT0006355</u>	Double brakes - 240DC	500V	1
2	<u>VT0006356</u>	Double brakes - 320DC	690V	1
3	<u>VT0004641</u>	Fan set		1
4	<u>VT0004663</u>	Bague de retenue		1
5	<u>VT0005088</u>	Kit de vis		1
6	<u>VT0004665</u>	Roulement		1
7	<u>VT0006189</u>	Double brakes 103V + Redresseur		1
7	<u>VT0006188</u>	Double brakes 190V + Redresseur		1

5. ELECTRICAL PARTS



5.1. Solo Equipment– Standard



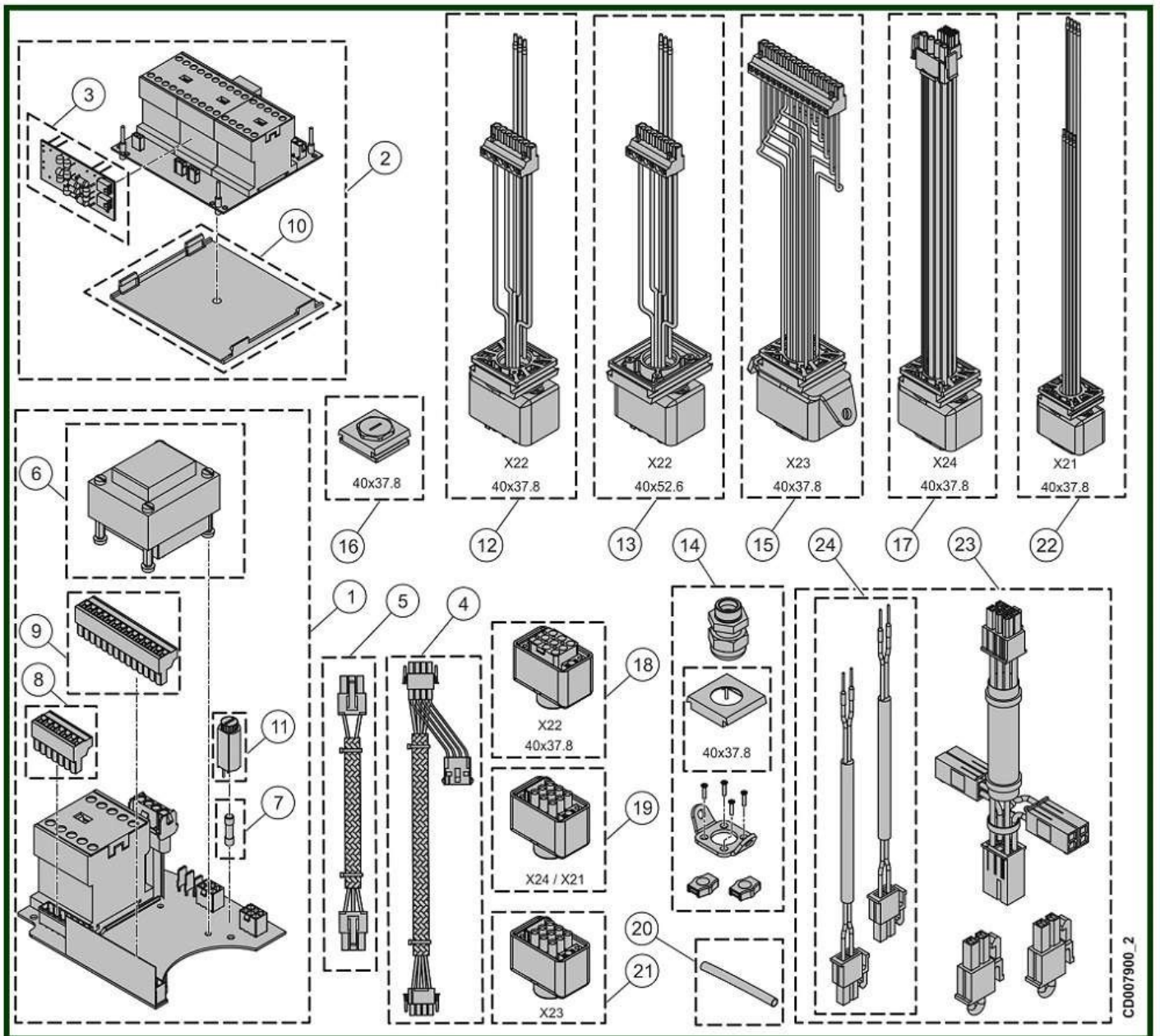
CD007848_2

Solo Equipment– Standard

Item	Reference	Description	Observation	Quantity
1	VT0006431	Power supply PC board- Solo hoist	208V 230V / 110V CI/PC - Standard	1
1	VT0006430	Power supply PC board- Solo hoist	230V / 48V CI/PC - Standard	1
1	VT0004944	Power supply PC board- Solo hoist	400V / 24V CI/PC BOARD	1
1	VT0004942	Power supply PC board- Solo hoist	400V / 48V CI/PC BOARD	1
1	VT0005312	Power supply PC board- Solo hoist	400V / 110V CI/PC BOARD	1
1	VT0005313	Power supply PC board- Solo hoist	400V / 230V CI/PC BOARD	1
1	VT0006432	Power supply PC board- Solo hoist	460V / 48V CI/PC BOARD	1
1	VT0006433	Power supply PC board- Solo hoist	460V / 110V CI/PC BOARD	1
1	VT0006434	Power supply PC board- Solo hoist	500V / 48V CI/PC BOARD	1
1	VT0006446	Power supply PC board- Solo hoist	500V / 110V CI/PC BOARD	1
1	VT0006435	Power supply PC board- Solo hoist	575V / 48V CI/PC BOARD	1
1	VT0006447	Power supply PC board- Solo hoist	575V / 110V CI/PC BOARD	1
2	VT0005302	Electrical board 2 speeds - 1 brake	230V-690V / 24V / 50 60Hz	1
2	VT0004945	Electrical board 2 speeds - 1 brake	230V-690V / 48V / 50 60Hz	1
2	VT0005303	Electrical board 2 speeds - 1 brake	230V-690V / 110V / 50 60Hz	1
2	VT0005304	Electrical board 2 speeds - 1 brake	230V-690V/ 230V / 50 60Hz	1
2	VT0005305	Electrical board 2 speeds - 2 brakes	230V-690V / 24V /50 60Hz	1
2	VT0005306	Electrical board 2 speeds - 2 brakes	230V-690V / 48V / 50 60Hz	1
2	VT0005307	Electrical board 2 speeds - 2 brakes	230V-690V / 50-60Hz	1
2	VT0005308	Electrical board 2 speeds - 2 brakes	230V-690V/ 230V / 50 60Hz	1
3	VT0004946	Rectifier - 1 brake	230V-690V	1
3	VT0004947	Rectifier - 2 brakes	230V-690V	1
3	VT0004948	Reconnectable rectifier	208V-690V	1
4	VT0004949	Wire harness - Plug control voltage		1
5	VT0004950	Wire harness - Plug power voltage		1

6	<u>VT0006439</u>	Transformer	208V 230V / 115V	1
6	<u>VT0006325</u>	Transformer	230V / 48V	1
6	<u>VT0004952</u>	Transformer	400V / 24V	1
6	<u>VT0004953</u>	Transformer	400V / 48V - 50/60Hz	1
6	<u>VT0004951</u>	Transformer	400V / 115V - 50/60Hz	1
6	<u>VT0004954</u>	Transformer	400V / 230V	1
6	<u>VT0006437</u>	Transformer	460V / 48V	1
6	<u>VT0006440</u>	Transformer	460V / 110V 50/60Hz	1
6	<u>VT0006436</u>	Transformer	500V / 48V	1
6	<u>VT0006438</u>	Transformer	575V / 48V	1
6	<u>VT0008540</u>	Transformer	575V / 110V	1
7	<u>VT0004915</u>	Set of 10 fuses	48V	1
7	<u>VT0004955</u>	Set of 10 fuses	115V	1
7	<u>VT0008541</u>	Set of 10 fuses	230V	1
8	<u>VT0005107</u>	Connector	4P	1
9	<u>VT0005108</u>	Pendant connector	14P	1
10	<u>VT0006441</u>	Plaque de protection		1
11	<u>VT0006191</u>	Porte fusible		1
12	<u>VT0006393</u>	Cable gland set Square cable entry	CG M20- ISO 20 Trolley-Power supply	1
13	<u>VT0005089</u>	Cable gland set Rectangular entry	Power supply- Only VR2 ISO 20	1
14	<u>VT0005090</u>	Cable gland set Square cable entry	Push button controller From September 2014	1
15	<u>VT0006089</u>	Bouchon - Square cable entry		1
16	<u>VT0006326</u>	Cable gland set - Square cable entry	Flat cable 4G2.5	1
17	<u>VT0008551</u>	Kit de connection FDC	FDC MS +GLS	1
18	<u>VT0008550</u>	GLS cable	Quantity : 2 for 2 Cames ou 4 for 4 Cames	1
-	<u>VT0006967</u>	Time counter		1

5.2. Equipment for Eurosystem - Steel - Alu. & PRV



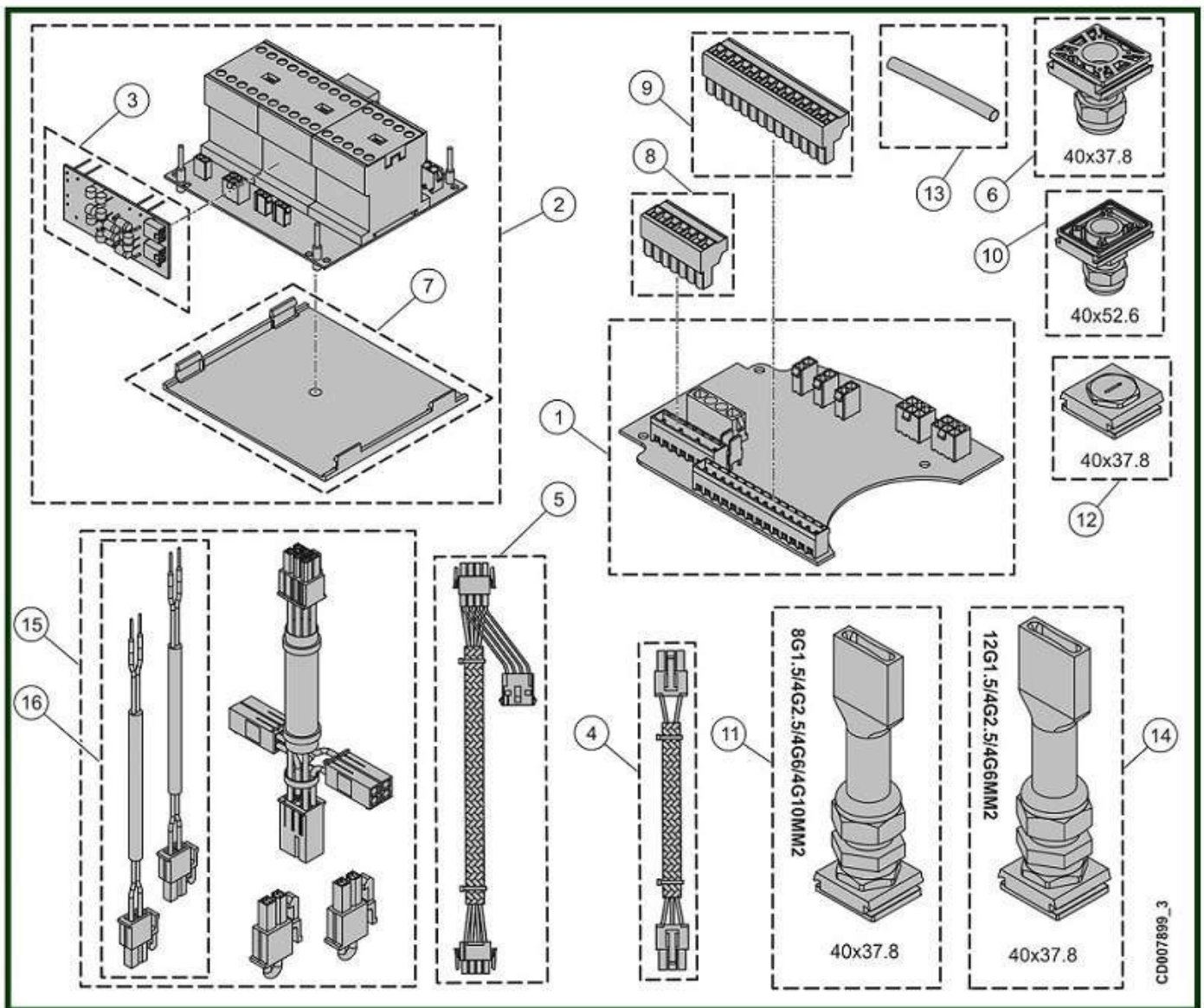
CD007900_2

Equipment for Eurosystem - Steel - Alu. & PRV

Item	Reference	Description	Observation	Quantity
1	<u>VT0006431</u>	Power supply PC board- Solo hoist	208V 230V / 110V CI/PC - Standard	1
1	<u>VT0006430</u>	Power supply PC board- Solo hoist	230V / 48V CI/PC - Standard	1
1	<u>VT0004944</u>	Power supply PC board- Solo hoist	400V / 24V CI/PC BOARD	1
1	<u>VT0004942</u>	Power supply PC board- Solo hoist	400V / 48V CI/PC BOARD	1
1	<u>VT0005312</u>	Power supply PC board- Solo hoist	400V / 110V CI/PC BOARD	1
1	<u>VT0005313</u>	Power supply PC board- Solo hoist	400V / 230V CI/PC BOARD	1
1	<u>VT0006432</u>	Power supply PC board- Solo hoist	460V / 48V CI/PC BOARD	1
1	<u>VT0006433</u>	Power supply PC board- Solo hoist	460V / 110V CI/PC BOARD	1
1	<u>VT0006434</u>	Power supply PC board- Solo hoist	500V / 48V CI/PC BOARD	1
1	<u>VT0006446</u>	Power supply PC board- Solo hoist	500V / 110V CI/PC BOARD	1
1	<u>VT0006435</u>	Power supply PC board- Solo hoist	575V / 48V CI/PC BOARD	1
1	<u>VT0006447</u>	Power supply PC board- Solo hoist	575V / 110V CI/PC BOARD	1
2	<u>VT0005302</u>	Electrical board 2 speeds - 1 brake	230V-690V / 24V / 50 60Hz	1
2	<u>VT0004945</u>	Electrical board 2 speeds - 1 brake	230V-690V / 48V / 50 60Hz	1
2	<u>VT0005303</u>	Electrical board 2 speeds - 1 brake	230V-690V / 110V / 50 60Hz	1
2	<u>VT0005304</u>	Electrical board 2 speeds - 1 brake	230V-690V/ 230V / 50 60Hz	1
2	<u>VT0005305</u>	Electrical board 2 speeds - 2 brakes	230V-690V / 24V /50 60Hz	1
2	<u>VT0005306</u>	Electrical board 2 speeds - 2 brakes	230V-690V / 48V / 50 60Hz	1
2	<u>VT0005307</u>	Electrical board 2 speeds - 2 brakes	230V-690V / 50-60Hz	1
2	<u>VT0005308</u>	Electrical board 2 speeds - 2 brakes	230V-690V/ 230V / 50 60Hz	1
3	<u>VT0004946</u>	Rectifier - 1 brake	230V-690V	1
3	<u>VT0004947</u>	Rectifier - 2 brakes	230V-690V	1
4	<u>VT0004949</u>	Wire harness - Plug control voltage		1
5	<u>VT0004950</u>	Wire harness - Plug power voltage		1

6	<u>VT0006439</u>	Transformer	208V 230V / 115V	1
6	<u>VT0006325</u>	Transformer	230V / 48V	1
6	<u>VT0004952</u>	Transformer	400V / 24V	1
6	<u>VT0004953</u>	Transformer	400V / 48V - 50/60Hz	1
6	<u>VT0004951</u>	Transformer	400V / 115V - 50/60Hz	1
6	<u>VT0004954</u>	Transformer	400V / 230V	1
6	<u>VT0006437</u>	Transformer	460V / 48V	1
6	<u>VT0006440</u>	Transformer	460V / 110V 50/60Hz	1
6	<u>VT0006436</u>	Transformer	500V / 48V	1
6	<u>VT0006438</u>	Transformer	575V / 48V	1
6	<u>VT0008540</u>	Transformer	575V / 110V	1
7	<u>VT0004915</u>	Set of 10 fuses	48V	1
7	<u>VT0004955</u>	Set of 10 fuses	115V	1
7	<u>VT0008541</u>	Set of 10 fuses	230V	1
8	<u>VT0005107</u>	Connector	4P	1
9	<u>VT0005108</u>	Pendant connector	14P	1
10	<u>VT0006441</u>	Plaque de protection		1
11	<u>VT0006191</u>	Fuses base		1
12	<u>VT0007798</u>	Power supply connector Set square	X22 Hoist side	1
13	<u>VT0007574</u>	Power supply connector Set rectangular	X22 Hoist side Only VR2	1
14	<u>VT0005090</u>	Cable gland set Square cable entry	Push button controller	1
15	<u>VT0007224</u>	Push button connector	X23 Hoist side Movable push button only	1
16	<u>VT0006089</u>	End cap - Square cable entry		1
17	<u>VT0006971</u>	Connector set - Trolley	X24 Hoist side	1
18	<u>VT0007804</u>	Connector set - Alimentation	X22 Side flat cable	1
19	<u>VT0007805</u>	Connector set - Trolley	X24 Side flat cable	1
20	<u>VT0007781</u>	Head shinkrable tube		1
21	<u>VT0007806</u>	Push button connector set	X23 Side push button Movable push button only	1
22	<u>VT0008135</u>	Crane cubicle connector set	X21 Hoist side	1
23	<u>VT0008551</u>	Set of connection GLS	FDC MS +GLS	1
24	<u>VT0008550</u>	GLS cable	Quantity 2 for 2 Cames or 4 for 4 Cames	1
-	<u>VT0006967</u>	Time counter		1

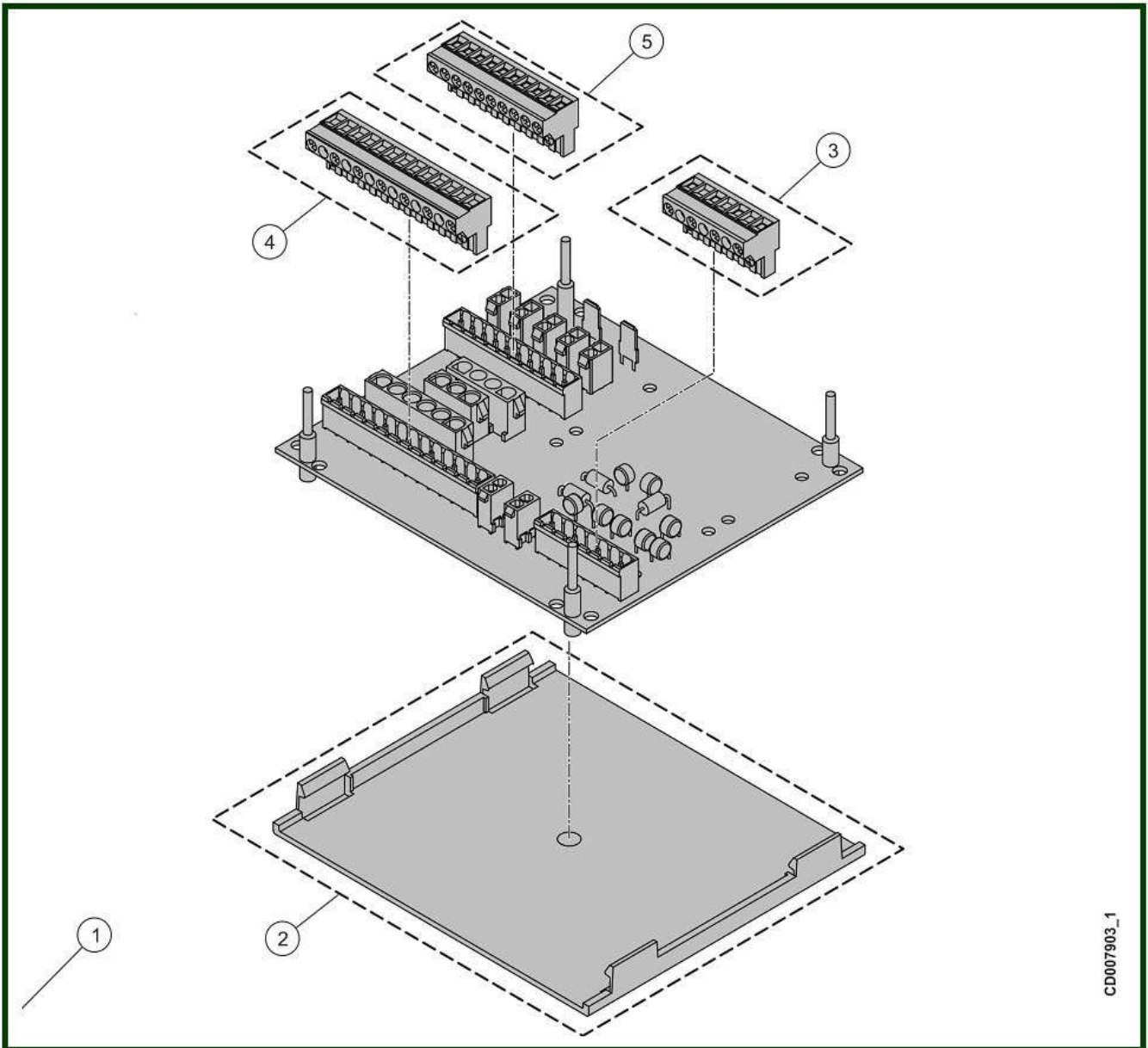
5.3. Equipment for crane kit - For UT+GTR+GTN



Equipment for crane kit - For UT+GTR+GTN

Item	Reference	Description	Observation	Quantity
1	<u>VT0004943</u>	Electrical power crane	230V-690V CI/PC BOARD	1
2	<u>VT0005302</u>	Electrical board 2 speeds - 1 brake	230V-690V / 24V / 50 60Hz	1
2	<u>VT0004945</u>	Electrical board 2 speeds - 1 brake	230V-690V / 48V / 50 60Hz	1
2	<u>VT0005303</u>	Electrical board 2 speeds - 1 brake	230V-690V / 110V / 50 60Hz	1
2	<u>VT0005304</u>	Electrical board 2 speeds - 1 brake	230V-690V/ 230V / 50 60Hz	1
2	<u>VT0005305</u>	Electrical board 2 speeds - 2 brakes	230V-690V / 24V /50 60Hz	1
2	<u>VT0005306</u>	Electrical board 2 speeds - 2 brakes	230V-690V / 48V / 50 60Hz	1
2	<u>VT0005307</u>	Electrical board 2 speeds - 2 brakes	230V-690V / 50-60Hz	1
2	<u>VT0005308</u>	Electrical board 2 speeds - 2 brakes	230V-690V/ 230V / 50 60Hz	1
3	<u>VT0004946</u>	Rectifier - 1 brake	230V-690V	1
3	<u>VT0004947</u>	Rectifier - 2 brakes	230V-690V	1
4	<u>VT0004949</u>	Wire harness - Plug control voltage		1
5	<u>VT0004950</u>	Wire harness - Plug power voltage		1
6	<u>VT0006393</u>	Cable gland set Square cable entry	CG M20- ISO 20 Trolley-Power supply	1
7	<u>VT0006441</u>	Insulation plate		1
8	<u>VT0005107</u>	Connector	4P	1
9	<u>VT0005108</u>	Pendant connector	14P	1
10	<u>VT0007782</u>	Cable gland set Square rectangular entry	4G2.5MM2 Flat cable - Only VR2	1
11	<u>VT0007780</u>	Cable gland set Square cable entry	8G1.5/4G2.5/4G6/4G10mm2	1
12	<u>VT0006089</u>	End cap Square cable entry		1
13	<u>VT0007781</u>	Head shrinkable tube		1
14	<u>VT0006454</u>	Cable gland set flat cable Square cable entry	12G1.5/4G2.5/4G6mm2 - ISO 25	1
15	<u>VT0008551</u>	Set of connection GLS	FDC MS +GLS	1
16	<u>VT0008550</u>	GLS cable	Quantity 2 for 2 Cames ou 4 for 4 Cames	1
-	<u>VT0006967</u>	Time counter		1

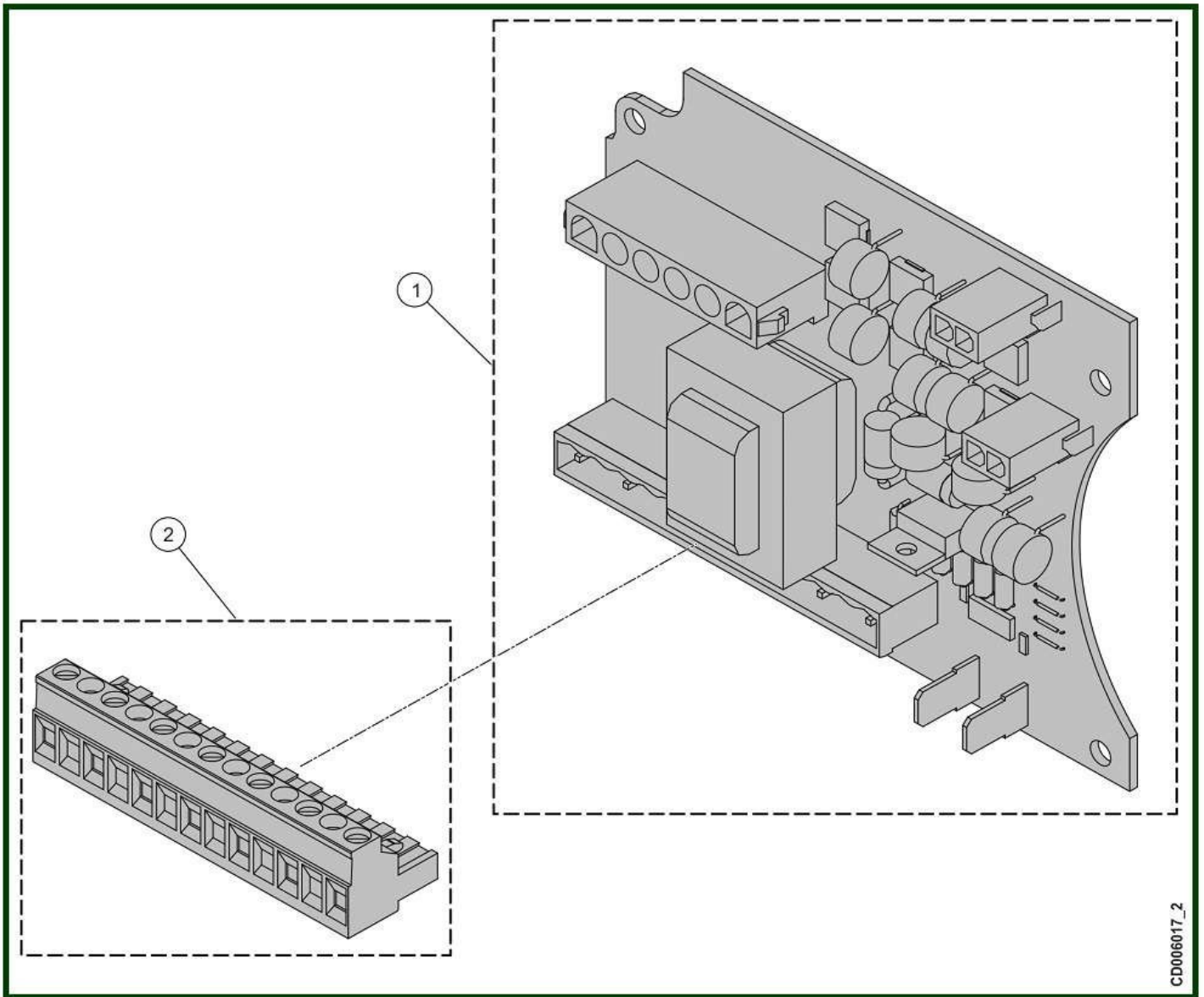
5.4. Without electric component



CD007903_1

Item	Reference	Description	Observation	Quantity
1	<u>VT0007656</u>	Electrical board	Without arrangement + Rectifier	1
2	<u>VT0006441</u>	Insulation plate		1
3	<u>VT0005107</u>	Connector	4P	1
4	<u>VT0006429</u>	Wire harness Plug power voltage	7P	1
5	<u>VT0009330</u>	Control connector	10P	1

5.5. Direct voltage – ACF

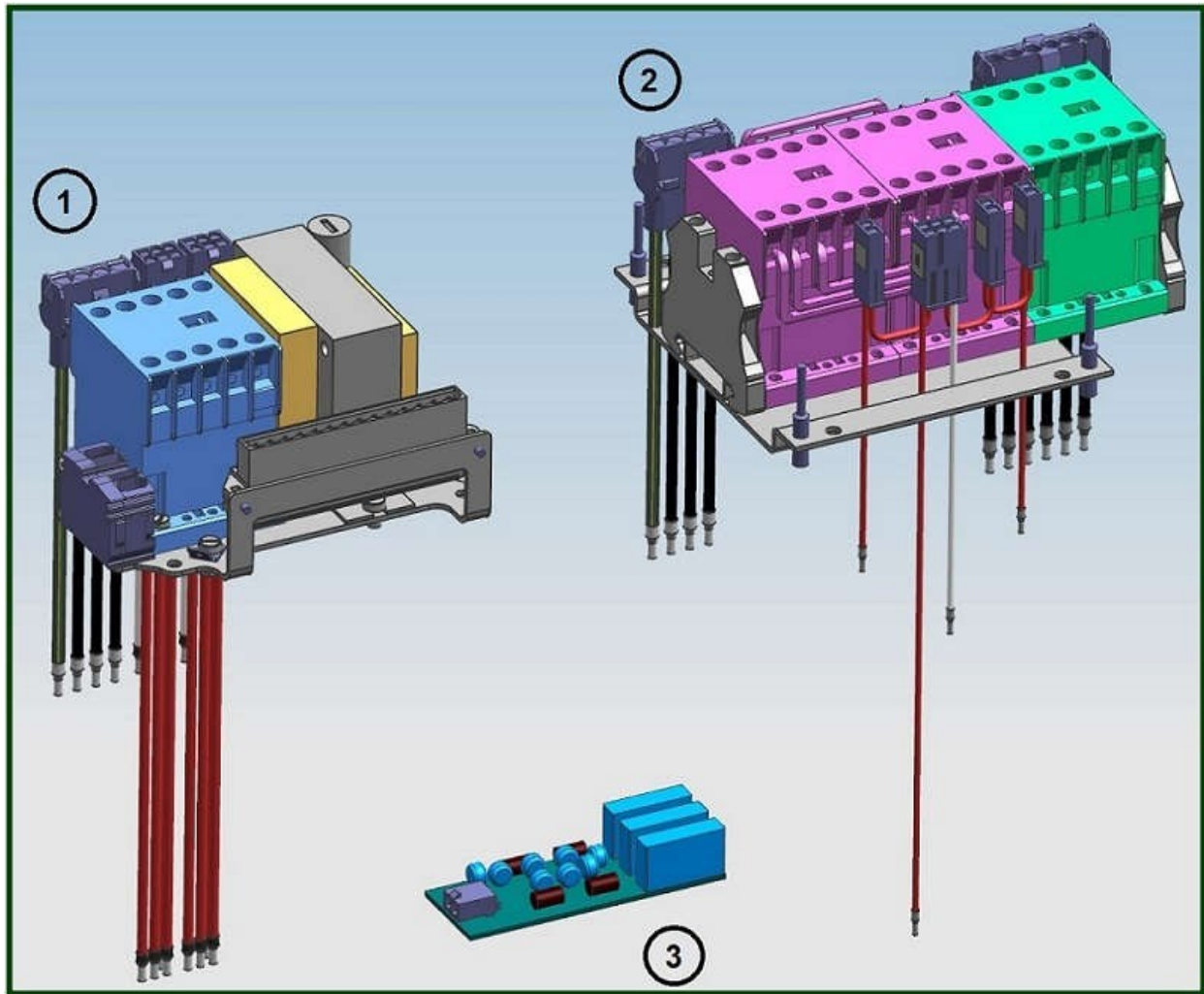


CD006017_2

Item	Reference	Description	Observation	Quantity
1	VT0006428	ACF card - 2 speeds		1
2	VT0006429	Wire harness Plug power voltage	7P	1

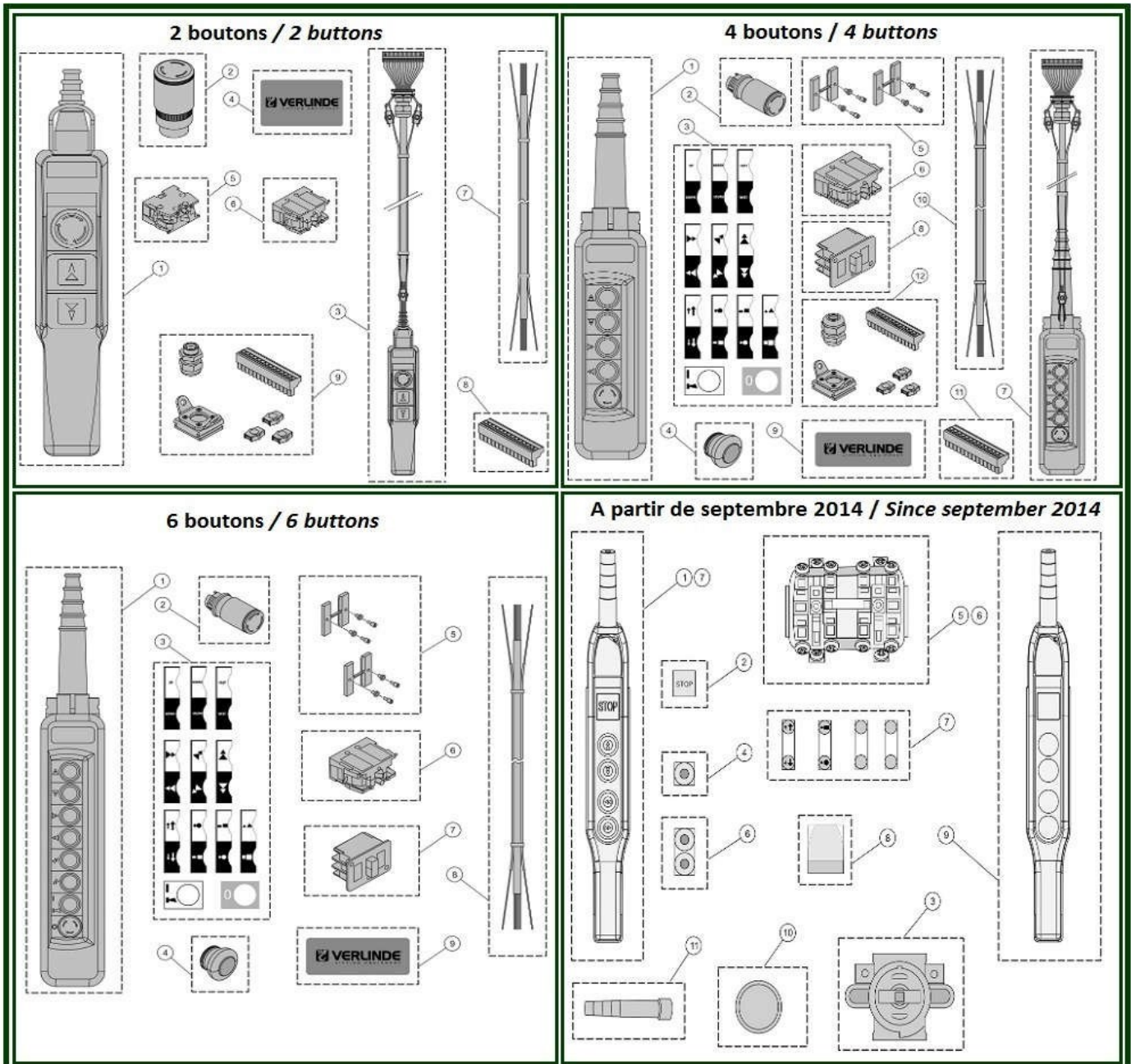
5.6. Solo hoist – Harding wiring

Option

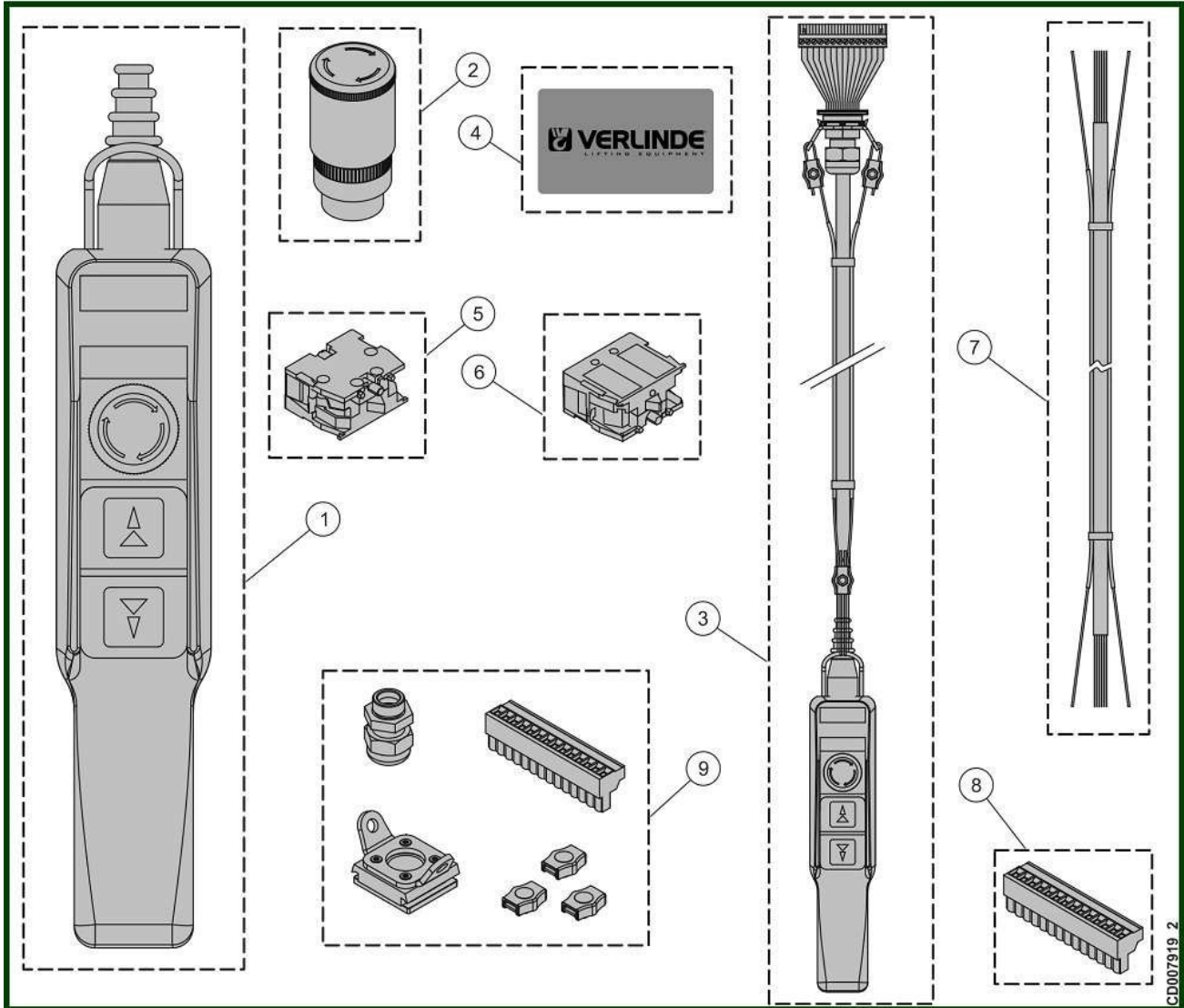


Item	Reference	Description	Observation	Quantity
1	VT0007058	Power supply- Solo hoist	400V-48V Hard wiring - Option	1
1	VT0007084	Power supply- Solo hoist	400V-110V Hard wiring - Option	1
1	VT0007086	Power supply- Solo hoist	460V-48V Hard wiring - Option	1
1	VT0007087	Power supply- Solo hoist	460V-110V Hard wiring - Option	1
2	VT0007057	Electrical board 2 speeds - 1 brake	208V-575V /48V Hard wiring - Option	1
2	VT0007089	Electrical board 2 speeds - 1 brake	208V-575V /110V-115V Hard wiring - Option	1
3	VT0008823	Rectifier	208V-575V	1

6. PUSH BUTTON CONTROLLER



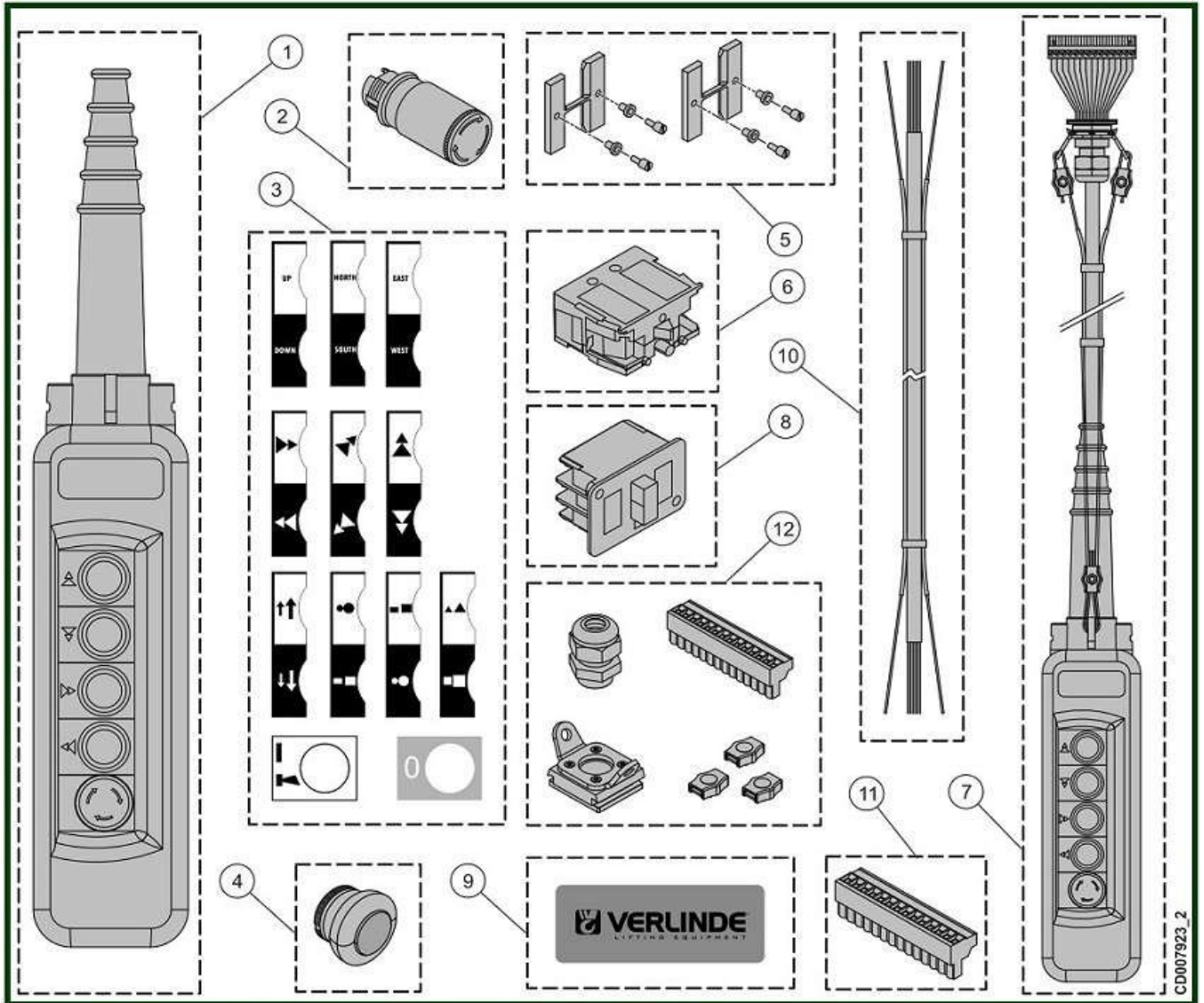
6.1. 2 buttons



2 buttons

Item	Reference	Description	Observation	Quantity
1	<u>VT0005061</u>	6 buttons- 2HS+ES	Yellow	1
2	<u>VT0006547</u>	Emergency push button		1
3	<u>VT0005612</u>	Pendant with cable - 2HS+ES	2,2 m - Yellow - CE	1
3	<u>VT0005613</u>	Pendant with cable - 2HS+ES	2,7 m - Yellow - CE	1
3	<u>VT0005614</u>	Pendant with cable - 2HS+ES	3,2 m - Yellow - CE	1
3	<u>VT0005615</u>	Pendant with cable - 2HS+ES	3,7 m - Yellow - CE	1
3	<u>VT0005616</u>	Pendant with cable - 2HS+ES	4,2 m - Yellow - CE	1
3	<u>VT0005617</u>	Pendant with cable - 2HS+ES	4,7 m - Yellow - CE	1
3	<u>VT0005618</u>	Pendant with cable - 2HS+ES	5,2 m - Yellow - CE	1
3	<u>VT0005619</u>	Pendant with cable - 2HS+ES	5,7 m - Yellow - CE	1
4	<u>VT0007837</u>	Sticker of brand	VERLINDE	1
5	<u>VT0005064</u>	Contact block	Z B2-BE101	1
6	<u>VT0005066</u>	Contact block	Z B2-BE 102	1
6	<u>VT0015041</u>	Contact block	ZB2-BE201 "F" décalé	1
7	<u>VT0006746</u>	Cable	5x1,5 mm2 - CE	1
8	<u>VT0005108</u>	Control voltage connector	14P	1
9	<u>VT0007583</u>	Pendant plug set	ISO	1

6.2. 4 buttons

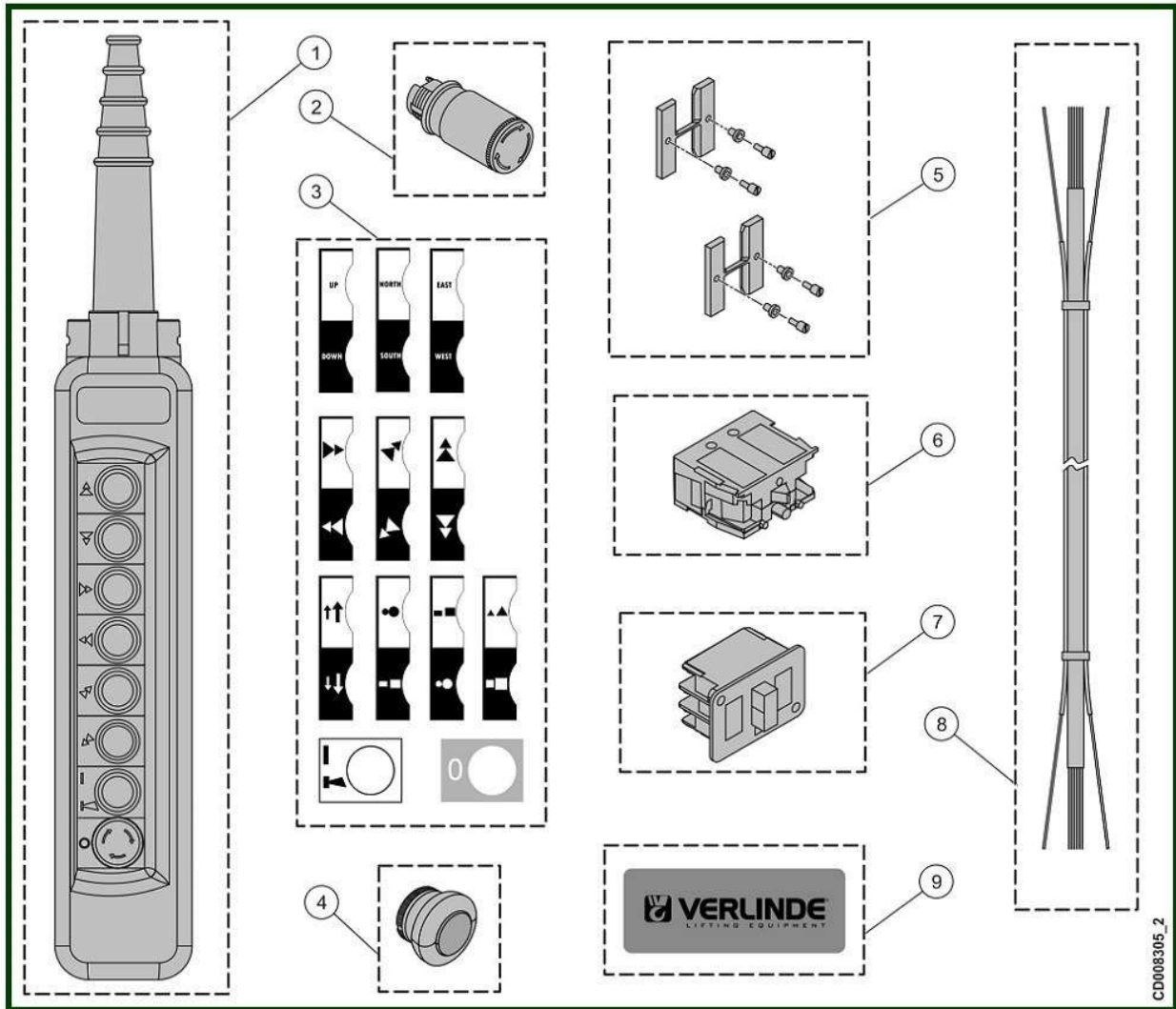


CD007923_2

4 buttons

Item	Reference	Description	Observations	Quantity
1	<u>VT0005055</u>	6 buttons- 2HS+2TS+ES	Yellow	1
2	<u>VT0006548</u>	Emergency push button		1
3	<u>VT0007882</u>	Set of direction symbols		1
4	<u>VT0005063</u>	Push button		1
5	<u>VT0005072</u>	Mechanical interlock		2
6	<u>VT0005066</u>	Bloc contact	Z B2-BE 102	1
7	<u>VT0006056</u>	Pendant with cable - 2HS+2TS+ES	2,7 m - Yellow	1
7	<u>VT0006055</u>	Pendant with cable - 2HS+2TS+ES	2,2 m - Yellow	1
7	<u>VT0006057</u>	Pendant with cable - 2HS+2TS+ES	3,2 m - Yellow	1
7	<u>VT0006058</u>	Pendant with cable - 2HS+2TS+ES	3,7 m - Yellow	1
7	<u>VT0006060</u>	Pendant with cable - 2HS+2TS+ES	4,7 m - Yellow	1
7	<u>VT0006061</u>	Pendant with cable - 2HS+2TS+ES	5,2 m - Yellow	1
7	<u>VT0006062</u>	Pendant with cable - 2HS+2TS+ES	5,7 m - Yellow	1
8	<u>VT0007879</u>	Block contact	X ENG1191	1
9	<u>VT0007880</u>	Sticker of brand		1
10	<u>VT0006747</u>	Cable - 8x1,5mm ²	meter	1
11	<u>VT0005108</u>	Control voltage connector	14P	1
12	<u>VT0007583</u>	Pendant plug set	ISO	1

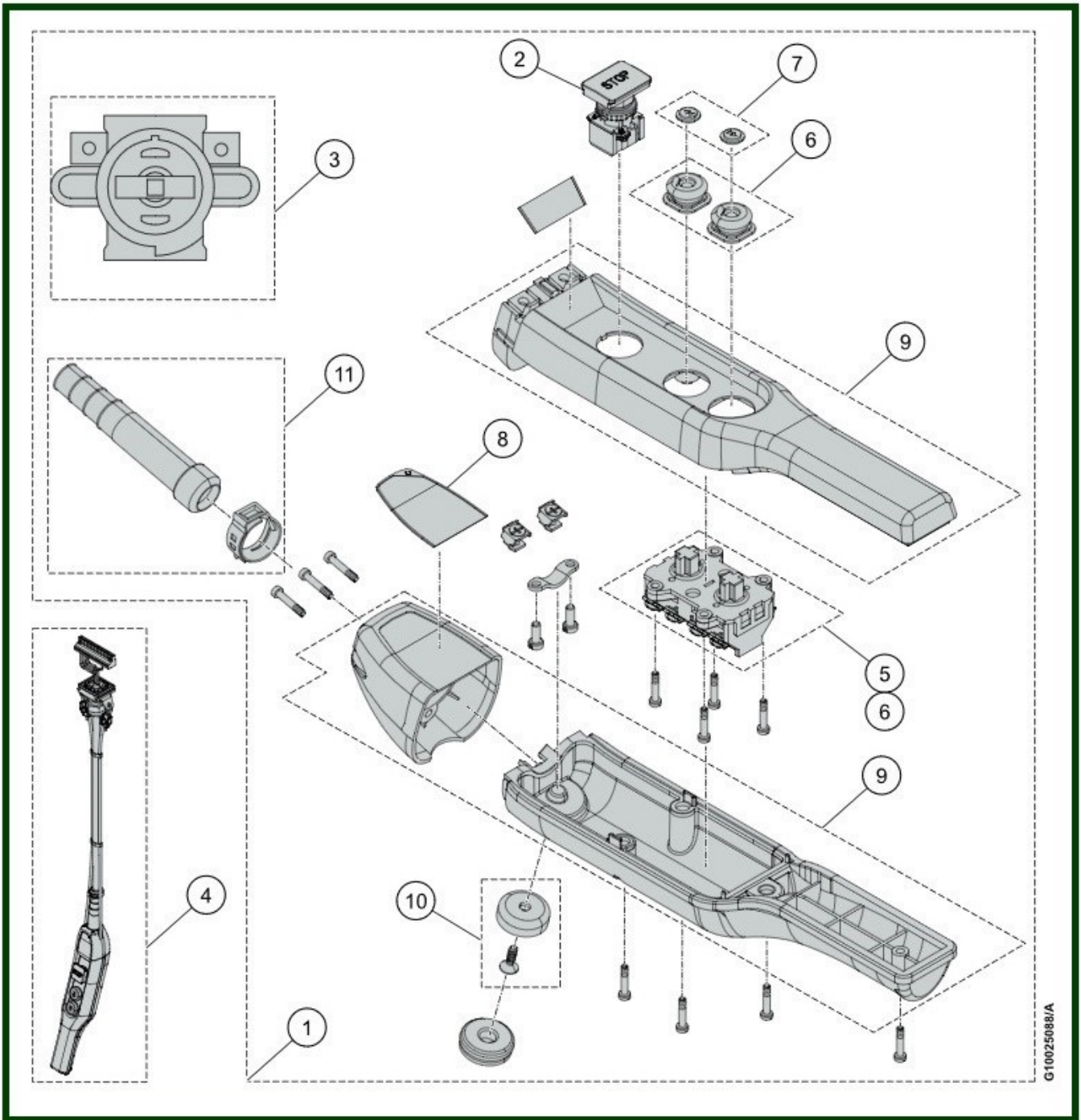
6.3. 6 buttons



CD008305_2

Item	Reference	Description	Observations	Quantity
1	VT0005058	Pendant controller 2HS+2TS+2LS+ON-OFF	Yellow	1
2	VT0006548	Emergency push button		1
3	VT0007882	Set of direction symbols		1
4	VT0005063	Push button		1
5	VT0005072	Mechanical interlock		2
6	VT0005066	Bloc contact	Z B2-BE 102	1
7	VT0007879	Block contact	X ENG1191	1
8	VT0008073	Cable	16x1.52mm ² - meter	1
8	VT0008074	Cable	20x1.5mm ² - meter	1
9	VT0007880	Sticker of brand	VERLINDE	1
-	VT0005108	Control voltage connector	14P	1

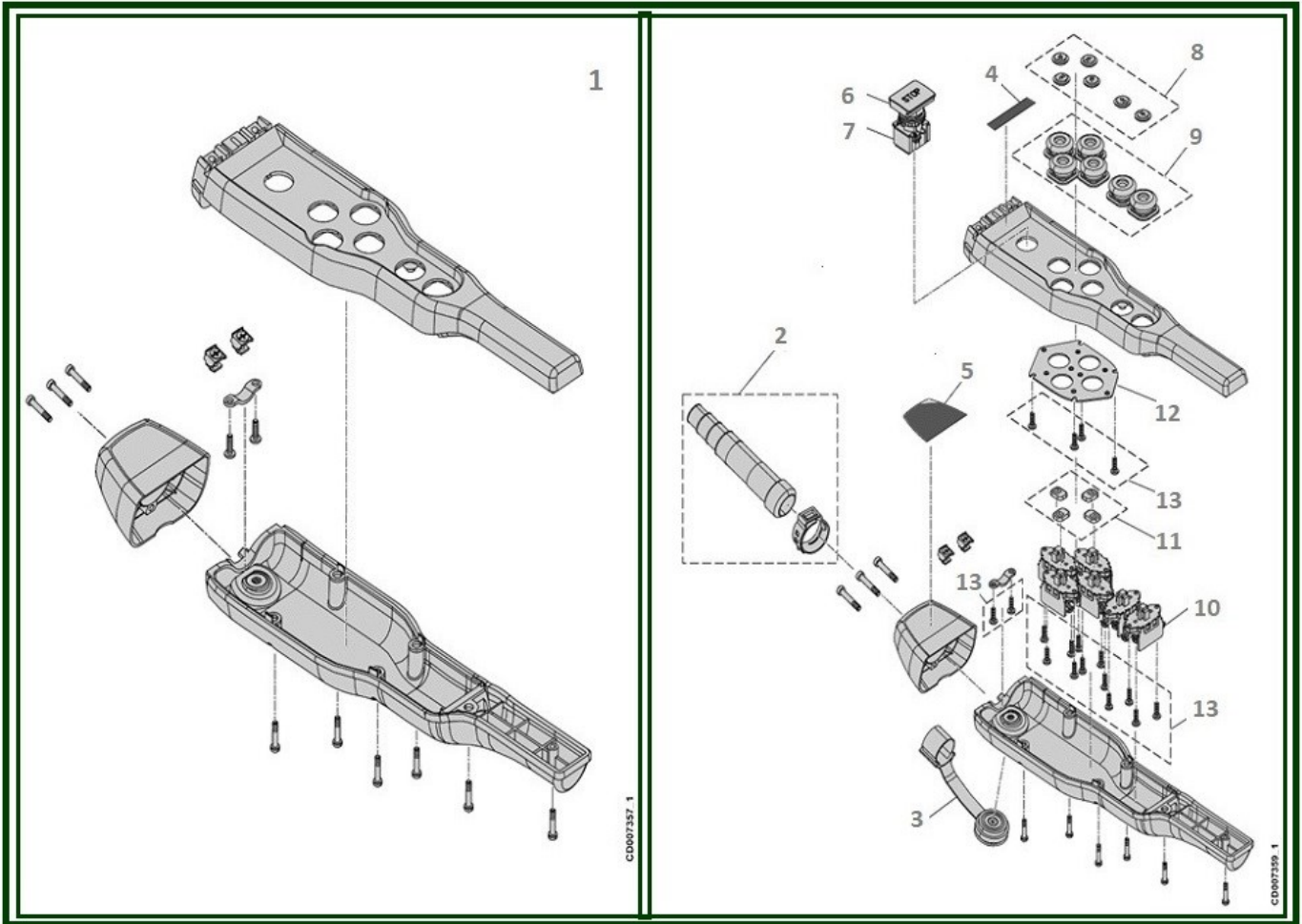
6.4. 2 and 4 buttons ERGOMOVE - From September 2014



2 and 4 buttons ERGOMOVE - From September 2014

Item	Reference	Description	Observation	Quantity
1	VT0006495	Push button - 2HS+2TS+ES	Yellow - 4 buttons	1
1	VT0006493	Push button - 2HS+ES	Yellow - 2 buttons	1
2	VT0006509	Emergency push button		1
3	VT0006510	Emergency stop contact block		1
4	VT0006511	Rubber push button		1
5	VT0006513	Contact block	2 steps	1
6	VT0006514	Set of 2 push buttons + contact block		1
7	VT0006754	Stickers - Direction symbols	ANSI	1
7	VT0006752	Stickers - Direction symbols	DIN	1
7	VT0006753	Stickers - Direction symbols	FIN-SEN	1
8	VT0006496	Sticker of brand	VERLINDE	1
9	VT0006515	Pendant controller	Yellow - 2 buttons	1
9	VT0006518	Pendant controller	Yellow - 4 buttons	1
10	VT0006517	Magnet		1
10	VT0006516	Rubber part		1
11	VT0014221	Cable bushing		1
12	VT0006958	Push buttons box + cable + plug - 2 HS+ES	2,20 m - Yellow - DIN	1
12	VT0006951	Push buttons box + cable + plug - 2 HS+ES	2,70 m - Yellow - DIN	1
12	VT0006952	Push buttons box + cable + plug - 2 HS+ES	3,20 m - Yellow - DIN	1
12	VT0006953	Push buttons box + cable + plug - 2 HS+ES	3,70 m - Yellow - DIN	1
12	VT0006954	Push buttons box + cable + plug - 2 HS+ES	4,20 m - Yellow - DIN	1
12	VT0006955	Push buttons box + cable + plug - 2 HS+ES	4,70 m - Yellow - DIN	1
12	VT0006956	Push buttons box + cable + plug - 2 HS+ES	5,20 m - Yellow - DIN	1
12	VT0006957	Push buttons box + cable + plug - 2 HS+ES	5,70 m - Yellow - DIN	1
13	VT0006959	Push buttons box + cable + plug - 2 HS+2TS+ES	2,20 m - Yellow - DIN	1
13	VT0006966	Push buttons box + cable + plug - 2 HS+2TS+ES	2,70 m - Yellow - DIN	1
13	VT0006960	Push buttons box + cable + plug - 2 HS+2TS+ES	3,20 m - Yellow - DIN	1
13	VT0006961	Push buttons box + cable + plug - 2 HS+2TS+ES	3,70 m - Yellow - DIN	1
13	VT0006962	Push buttons box + cable + plug - 2 HS+2TS+ES	4,20 m - Yellow - DIN	1
13	VT0006963	Push buttons box + cable + plug - 2 HS+2TS+ES	4,70 m - Yellow - DIN	1
13	VT0006964	Push buttons box + cable + plug - 2 HS+2TS+ES	5,20 m - Yellow - DIN	1
13	VT0006965	Push buttons box + cable + plug - 2 HS+2TS+ES	5,70 m - Yellow - DIN	1

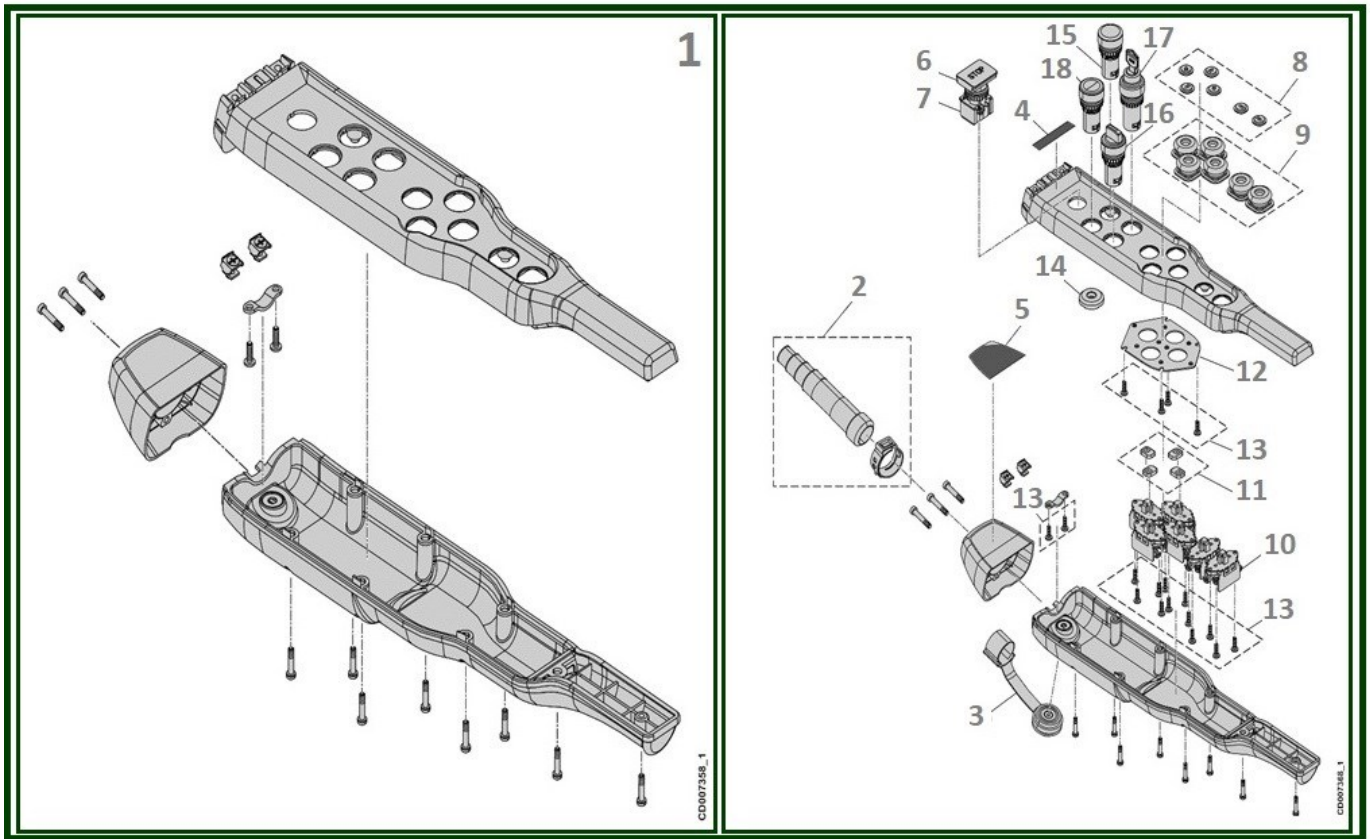
6.5. 6 buttons ERGOMOVE – From September 2014



6 buttons ERGOMOVE -From September 2014

Item	Reference	Description	Observation	Quantity
1	<u>VT0007106</u>	Pendant controller body	Yellow	1
1	<u>VT0013522</u>	Pendant controller body	Pendant controller body	1
2	<u>VT0007149</u>	Cable bushing		1
3	<u>VT0010787</u>	Magnet		1
5	<u>VT0007148</u>	Sticker	Logo	1
6	<u>VT0010757</u>	Emergency stop button		1
7	<u>VT0010788</u>	Contact block		1
8	<u>VT0007147</u>	Stickers - Direction symbols	ANSI	1
8	<u>VT0007145</u>	Stickers - Direction symbols	DIN	1
8	<u>VT0007146</u>	Stickers - Direction symbols	FIN	1
9	<u>VT0007102</u>	Push button		1
10	<u>VT0013419</u>	Contact block	Crane and Trolley control (Foward/Backward and Right/Left) 2-step	1
10	<u>VT0007100</u>	Contact block	Hoisting control (Up and Down) 2-step	1
11	<u>VT0007101</u>	Push button		1
12	<u>VT0007103</u>	Shape plate		1
13	<u>VT0007150</u>	Screws set		1

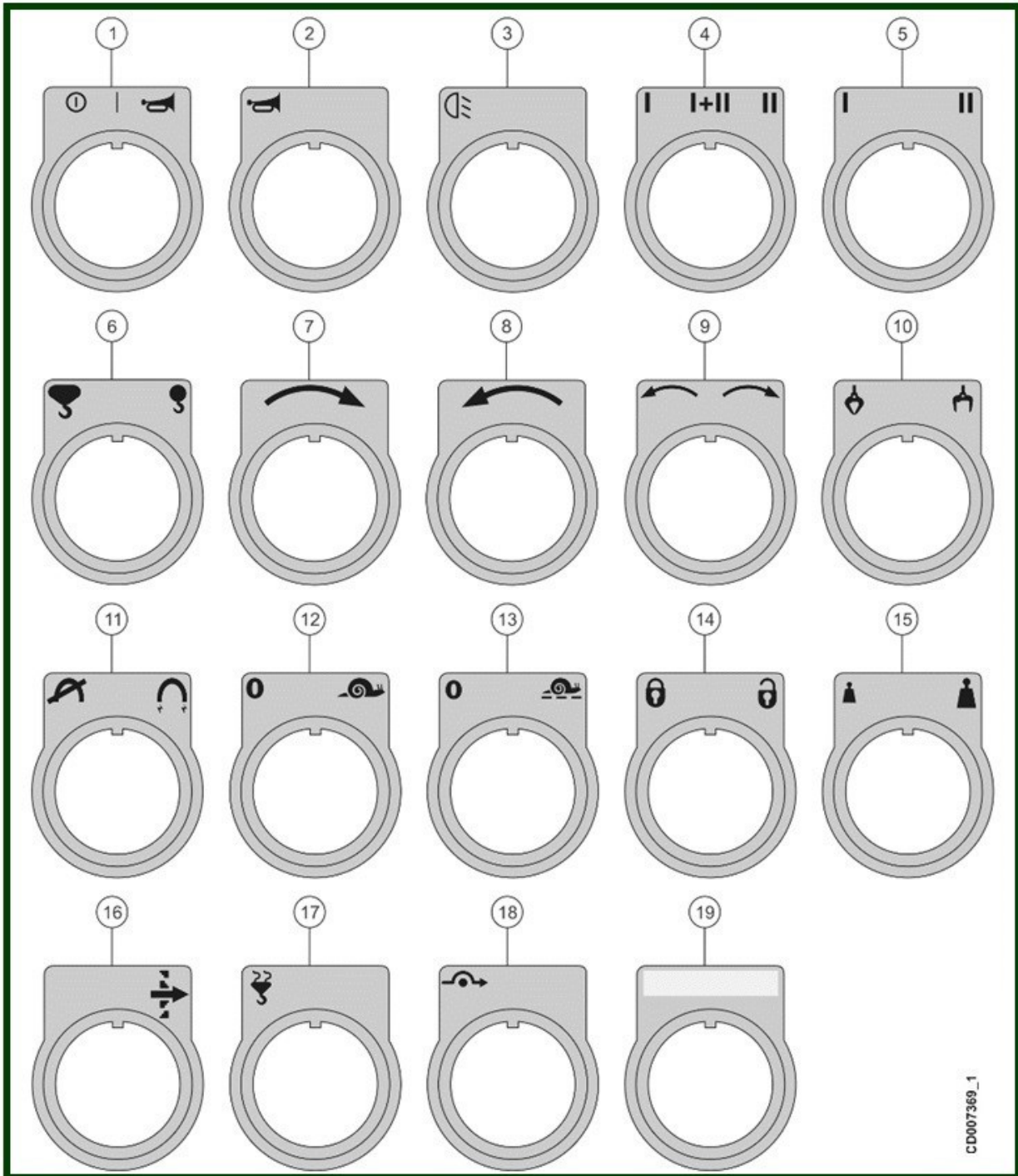
6.6. 10 buttons – ERGOMOVE – From September 2014



10 buttons ERGOMOVE – From September 2014

Item	Reference	Description	Observation	Quantity
1	VT0007107	Pendant controller body	Yellow	1
1	VT0013416	Pendant controller body	Yellow	1
2	VT0007149	Cable bushing		1
3	VT0010787	Magnet		1
5	VT0007148	Sticker	Logo	1
6	VT0010757	Emergency stop button		1
7	VT0010788	Contact block		1
8	VT0007147	Stickers - Direction symbols	ANSI	1
8	VT0007145	Stickers - Direction symbols	DIN	1
8	VT0007146	Stickers - Direction symbols	FIN	1
9	VT0007102	Push button		1
10	VT0013419	Contact block – 2 steps	Crane and Trolley control (Foward/Backward and Right/Left)	4
10	VT0007100	Contact block – 2 steps	Hoisting control (Up and Down)	2
11	VT0007101	Push button		1
12	VT0007103	Shape plate		1
13	VT0007150	Screws set		1
14	VT0007109	Blanking plug		1
15	VT0007110	Push button		1
16	VT0010760	Selector without spring return to center	Switch 1-0-2	1
16	VT0010797	Selector switch	Switch 0-1	1
16	VT0007113	Selector switch	Switch 1-1+2-2	1
16	VT0007114	Selector switch	Switch 1-2	1
16	VT0010796	Selector switch with spring return to center	Switch 1-0-2	1
17	VT0010798	Position Key Selector	Switch 0-1	1
18	VT0010791	Pilot lamp 115 – Green		1
18	VT0010792	Pilot lamp 115V - Red		1
18	VT0010793	Pilot lamp 115V – Yellow		1
18	VT0010794	Pilot lamp 230V - Green		1
18	VT0010759	Pilot lamp 230V - Red		1
18	VT0010795	Pilot lamp 230V - Yellow		1
18	VT0010789	Pilot lamp - 48V - Green		1
	VT0010758	Pilot lamp - 48V – Red		1
	VT0010790	Pilot lamp - 48V - Yellow		1

6.7. 10 Buttons – ERGOMOVE – Option pendant label

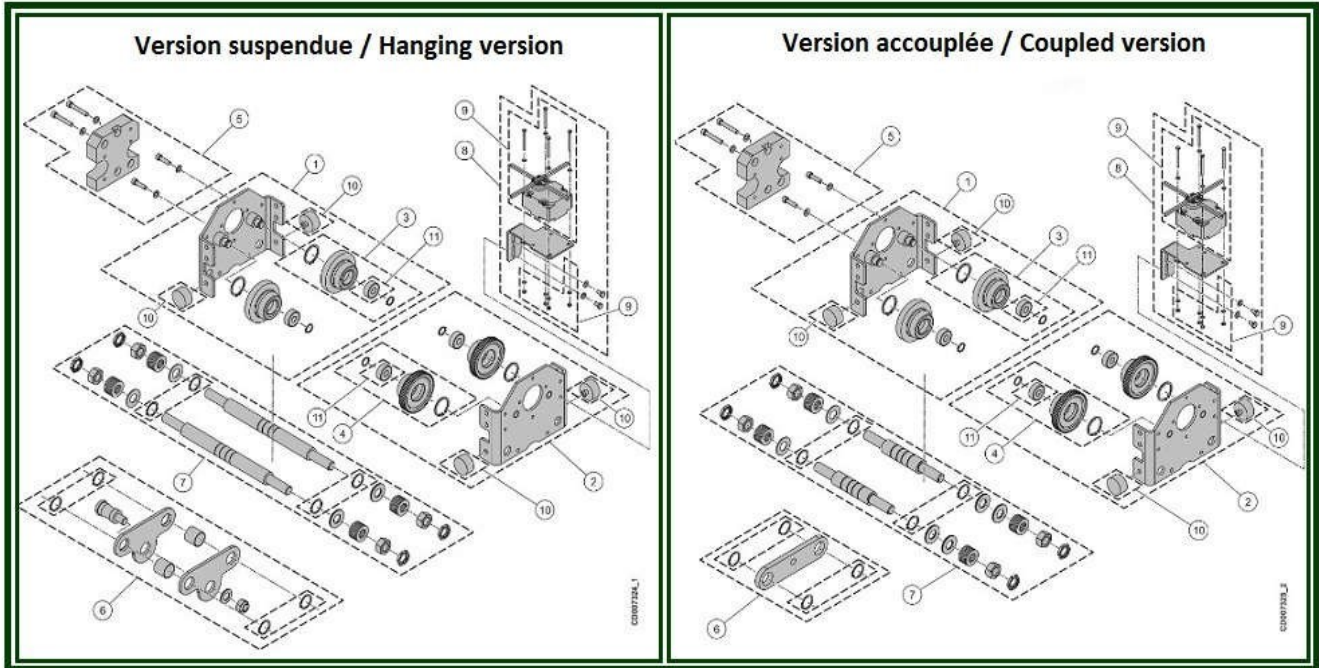


10 buttons ERGOMOVE – Option pendant label

Item	Reference	Description	Observation	Quantity
1	<u>VT0007126</u>	Pendant label - Start + Horn		1
2	<u>VT0007127</u>	Pendant label - Horn		1
3	<u>VT0007128</u>	Pendant label - Light		1
4	<u>VT0007129</u>	Pendant label - Hoist selector I,I+II, II		1
5	<u>VT0007130</u>	Pendant label - Hoist selector I, II		1
6	<u>VT0007131</u>	Pendant label - Hook selection		1
7	<u>VT0007132</u>	Pendant label - Rotate right		1
8	<u>VT0007133</u>	Pendant label - Rotate left		1
9	<u>VT0007134</u>	Pendant label - Rotate left / light		1
10	<u>VT0007135</u>	Pendant label - Close and open		1
11	<u>VT0007136</u>	Pendant label - Magnet OFF / On		1
12	<u>VT0007137</u>	Pendant label - Microspeed		1
13	<u>VT0007138</u>	Pendant label - Microspeed		1
14	<u>VT0007139</u>	Pendant label - Lock / unlock		1
15	<u>VT0007140</u>	Pendant label - Load limiter		1
16	<u>VT0007141</u>	Pendant label - Restricted area		1
17	<u>VT0007142</u>	Pendant label - Slack rope		1
18	<u>VT0007143</u>	Pendant label - Bypass		1
19	<u>VT0007144</u>	Blank pendant label		1

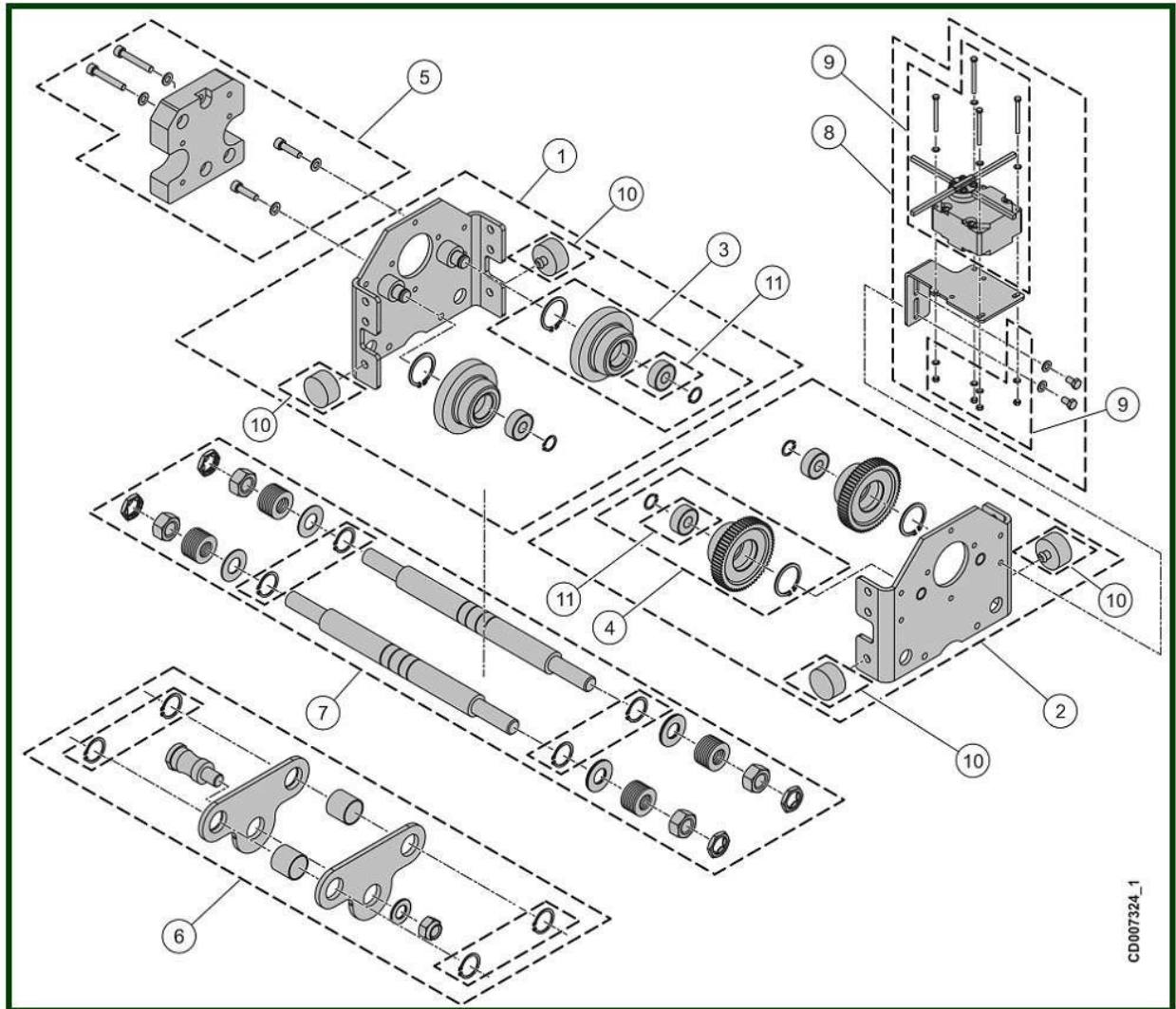
7. TROLLEY – NORMAL HEADROOM TROLLEY

HPN



7.1. C1 Trolley - 0 to 1000 kg – Hanging version

NHT



CD007324_1

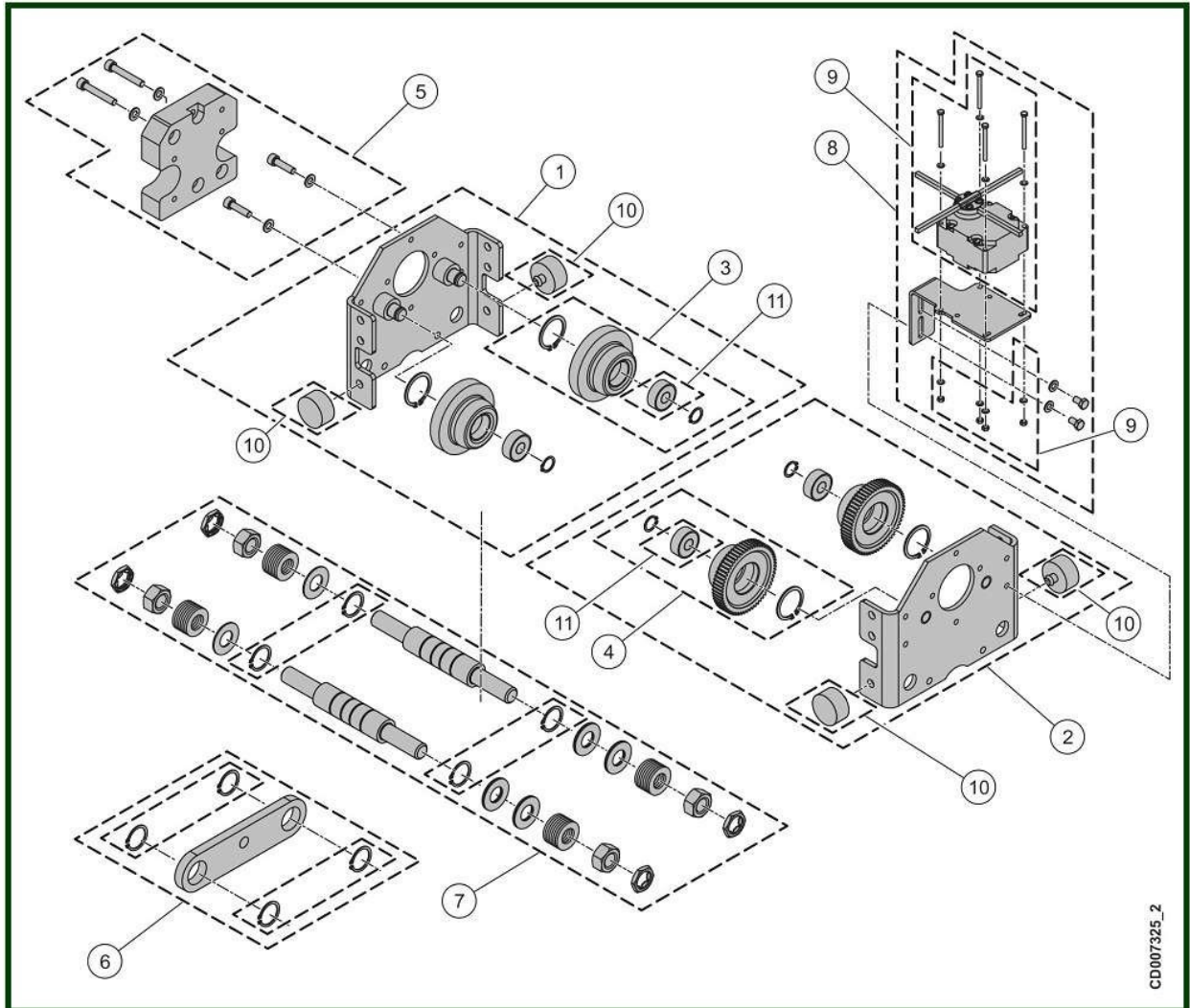
C1 Trolley - 0 to 1000 kg – Hanging version

NHT

Item	Reference	Description	Observation	Quantity
1	<u>VT0007051</u>	Idler side plate assembly		1
2	<u>VT0007066</u>	Drive side plate assembly		1
3	<u>VT0007061</u>	Complete set of travel wheel without shaft		1
4	<u>VT0007063</u>	Set driving wheel without shaft	Ø 62 - 93 mm	1
5	<u>VT0007062</u>	Set of counter weight		1
6	<u>VT0007064</u>	Coupling part	Hanging version	1
7	<u>VT0007026</u>	Tie rod set beam - 55 to 100 mm	Monobloc tie rod since 1999 Hook and coupling suspension	1
7	<u>VT0007027</u>	Tie rod set beam - 106 to 150 mm	Monobloc tie rod since 1999 Hook and coupling suspension	1
7	<u>VT0007028</u>	Tie rod set beam - 155 to 200 mm	Monobloc tie rod since 1999 Hook and coupling suspension	1
7	<u>VT0007029</u>	Tie rod set beam - 206 to 248 mm	Monobloc tie rod since 1999 Hook and coupling suspension	1
7	<u>VT0007030</u>	Tie rod set beam - 260 to 307 mm	Monobloc tie rod since 1999 Hook and coupling suspension	1
7	<u>VT0007031</u>	Tie rod set beam - 308 to 310 mm	Monobloc tie rod since 1999 Hook and coupling suspension	1
8	<u>VT0007098</u>	Limit switch - 1 step		1
8	<u>VT0008775</u>	Limit switch - 2 steps		1
9	<u>VT0008776</u>	Travelling limit switch assembly 1 step		1
9	<u>VT0008777</u>	Travelling limit switch assembly 2 steps		1
10	<u>VT0009357</u>	Buffer	D40x20 – From C1 Trolley to C5	1
11	<u>VT0007091</u>	Ball Bearing		1

7.2. C1 Trolley – 0 to 1000 Kg – Coupled version

NHT

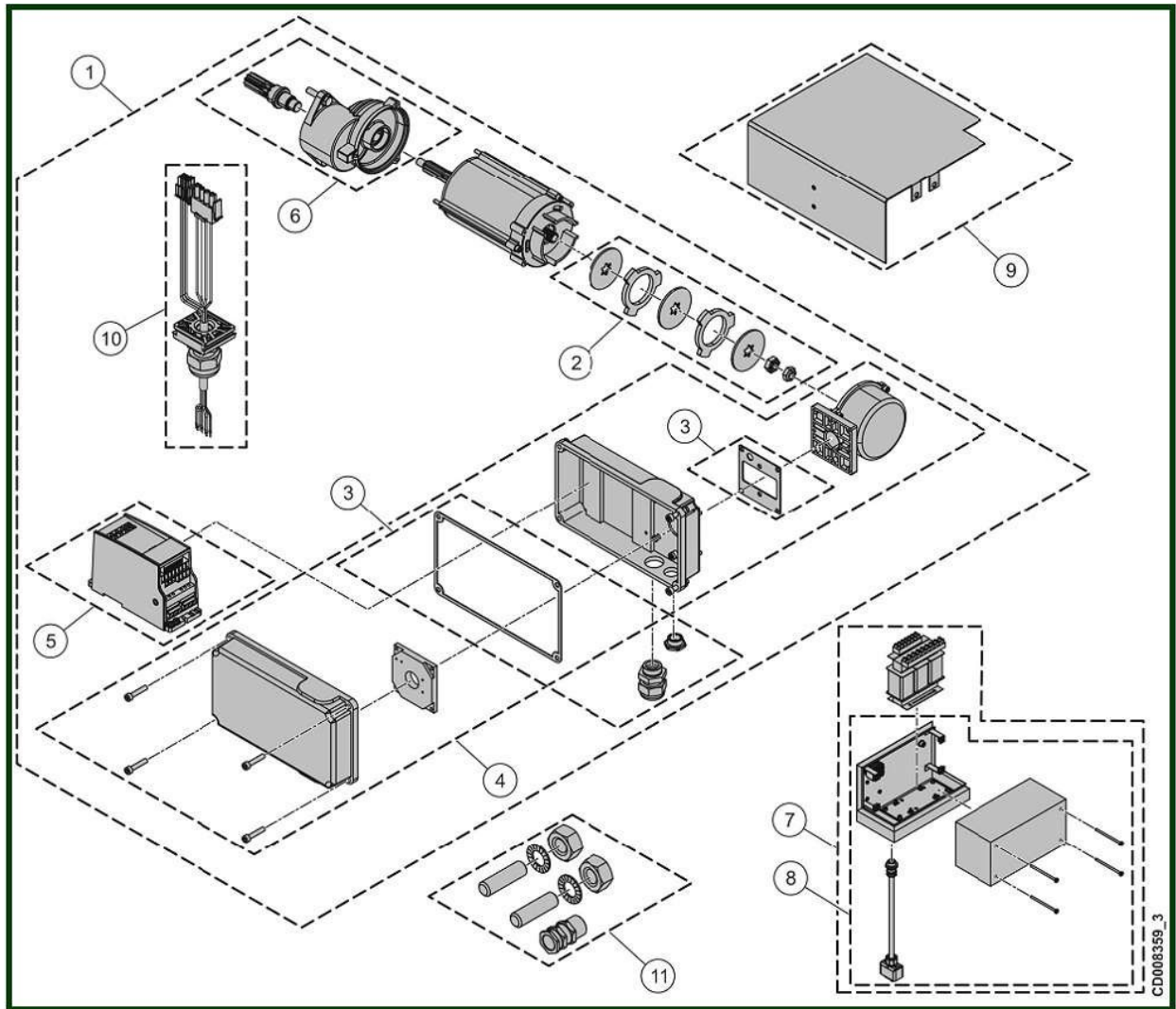


C1 Trolley – 0 to 1000 Kg – Coupled version

NHT

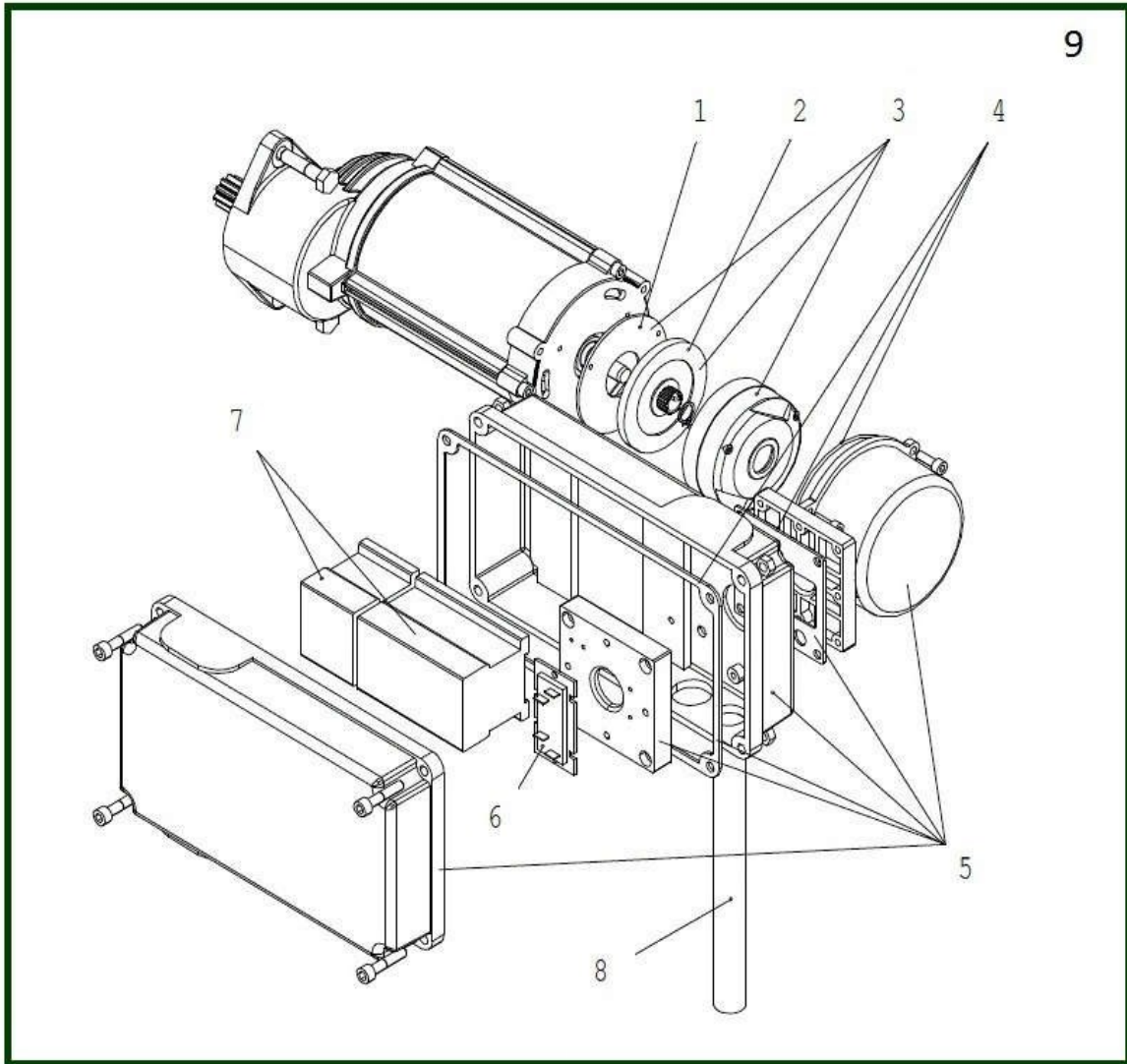
Item	Reference	Description	Observation	Quantity
1	<u>VT0007051</u>	Idler side plate assembly		1
2	<u>VT0007066</u>	Drive side plate assembly		1
3	<u>VT0007061</u>	Complete set of travel wheel without shaft		1
4	<u>VT0007063</u>	Set driving wheel without shaft	∅ 62 - 93 mm	1
5	<u>VT0007062</u>	Set of counter weight		1
6	<u>VT0007065</u>	Cross bar	Coupled version	1
7	<u>VT0007026</u>	Tie rod set beam - 55 to 100 mm	Monobloc tie rod since 1999 Hook and coupling suspension	1
7	<u>VT0007027</u>	Tie rod set beam - 106 to 150 mm	Monobloc tie rod since 1999 Hook and coupling suspension	1
7	<u>VT0007028</u>	Tie rod set beam - 155 to 200 mm	Monobloc tie rod since 1999 Hook and coupling suspension	1
7	<u>VT0007029</u>	Tie rod set beam - 206 to 248 mm	Monobloc tie rod since 1999 Hook and coupling suspension	1
7	<u>VT0007030</u>	Tie rod set beam - 260 to 307 mm	Monobloc tie rod since 1999 Hook and coupling suspension	1
7	<u>VT0007031</u>	Tie rod set beam - 308 to 310 mm	Monobloc tie rod since 1999 Hook and coupling suspension	1
8	<u>VT0007098</u>	Limit switch - 1 step		1
8	<u>VT0008775</u>	Limit switch - 2 steps		1
9	<u>VT0008776</u>	Travelling limit switch assembly - 1 step		1
9	<u>VT0008777</u>	Travelling limit switch assembly - 2 steps		1
10	<u>VT0009357</u>	Buffer	D40x20 - From C1 trolley to C5	1
11	<u>VT0007091</u>	Ball bearing		1

7.3. Inverter TMU motor VR hoist



Item	Reference	Description	Observation	Quantity
1	52890308	Travelling machinery - TMU1	42-230V < 1000 Kg	1
1	52890306	Travelling machinery - TMU2	42-230V > 1000 Kg to 2000 kg	1
2	52296293	Brake repair set	M06-001V	1
3	52300292	Sealings set	M06-008V	1
4	52907130	Housing set	M06-022V	1
5	52387783	Inverter VT003 TMK003.380 460V/ ctrl 42 230V	Since January 2015 for motor already equipped of this inverter	1
6	52297191	Reducer	GEL105PT1B0	1
7	52303806	Control panel	T50E-TE07	1
8	53050878	Cover set	UKTM/ALTM-NEW	1
9	52305058	Rain cover	All models C1 to C5	1
10	53110165	Connection cable	TMU 1&2	1
11	52908158	Fixing set		1

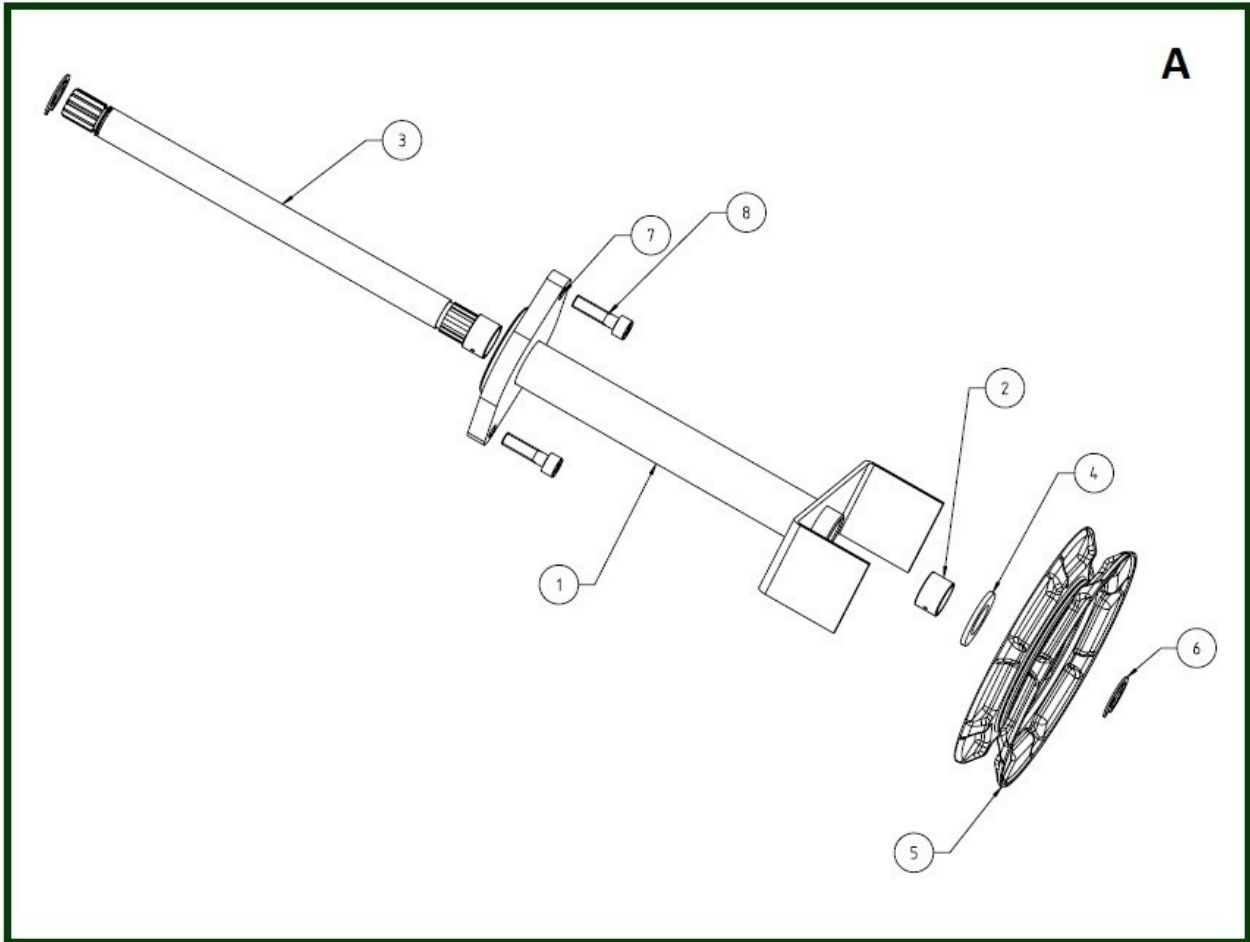
7.4. Two speeds TMU motor for VR hoist



Two speeds TMU motor for VR hoist

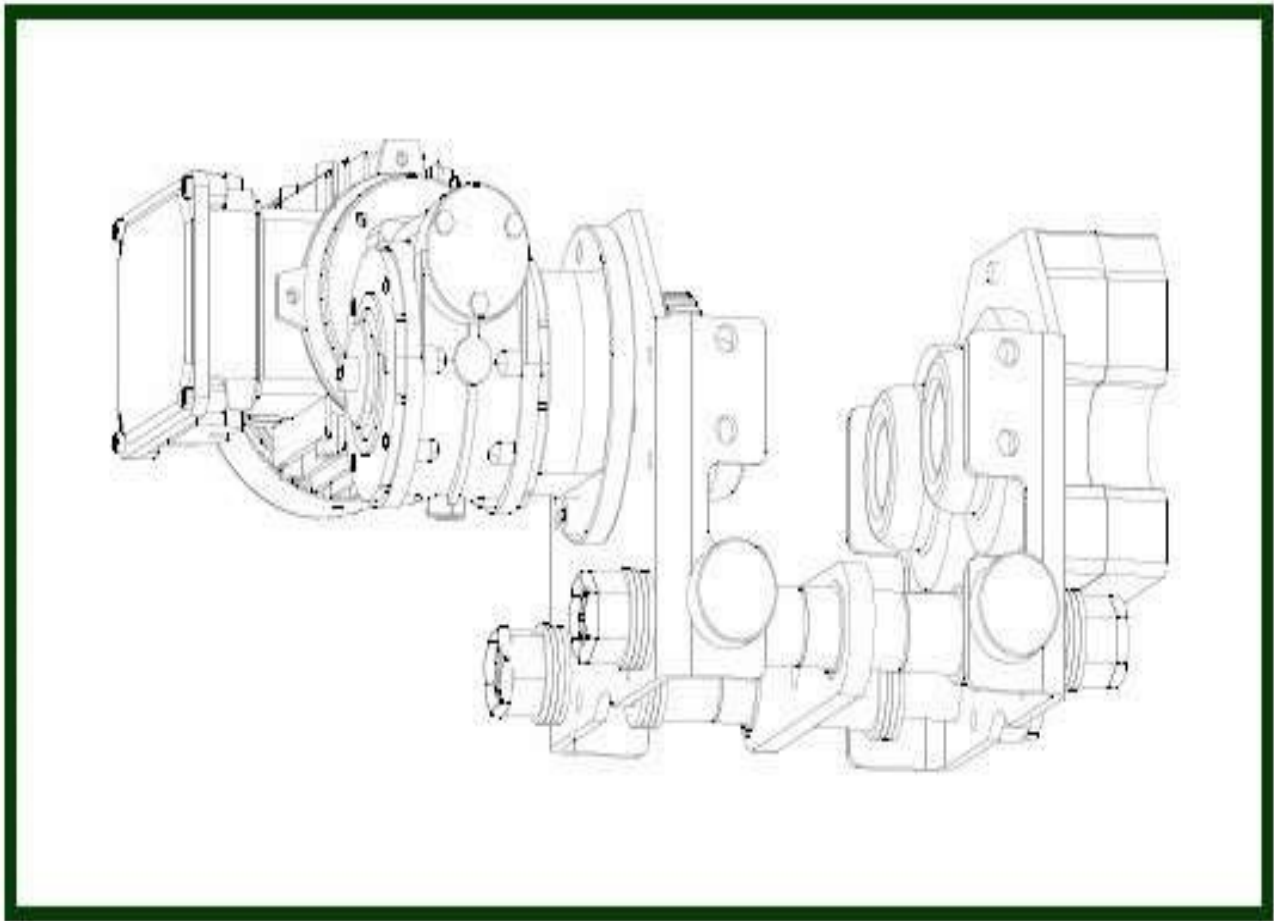
Item	Reference	Description	Observation	Quantity
1	52269590	Friction plate		1
2	52269587	Brake disc		1
3	52318378	Brake disc 180V	MF06MA104	1
3	52318416	Brake disc 240V	MF06MA104	1
3	52318424	Brake disc 290V	MF06MA104	1
4	52300292	Sealings set	M06-008V	1
5	52300291	Terminal box	M06-007V	1
6	15823007	Rectifier	Motor 220V	1
6	15823006	Rectifier	Motor 380 - 550V	1
7	1123052	Reversing contactor	110V	1
7	1113097	Reversing contactor	230V	1
7	1113023	Reversing contactor 400V/48V - LC2ECO9E	(7531023V) Hoisting cross travelling	1
7	1113098	Main contactor KAU	230 V 50/60 Hz	1
7	1113021	Reversing contactor	48V	1
7	1123050	Reversing contactor	110V	1
8	53243829	Connection cable	TMU 1&2	1
9	52782175	TMU motor - 2 speeds	230V/48V 50 Hz	1
9	52782176	TMU motor - 2 speeds	400V/48V 50 Hz	1
9	52782171	TMU motor - 2 speeds	460V/115V 60 Hz - Standard	1
9	52782177	TMU motor - 2 speeds	500V/48V 50 Hz	1
9	52782172	TMU motor - 2 speeds	575V/115V 60 Hz - Standard	1
	52782173	TMU motor - 2 speeds	230V/115V 60 Hz - Standard	1
	52305058	Rain cover	All models C1 to C5	1

7.5. Chain travel



Item	Reference	Description	Observations	Quantity
1	53155221	CHM shaft		1
2	52845788	Radial sliding bearing		1
3	53155216	Axle		1
4	52294797	Plain washer		1
5	52724779	Travelling hand wheel - Ø 165 mm		1
6	52846624	Circlips D.20X1.2mm		1
7	52738485	Contact washer		1
8	52286823	Screw M8x30	DIN912	1
	820003	Galvanized chain - 5x27.1		1
	53020194	Precut galvanized chain - 5x27.1		M
A	53155441	Chain operated manual travelling	For C1 to C5	1

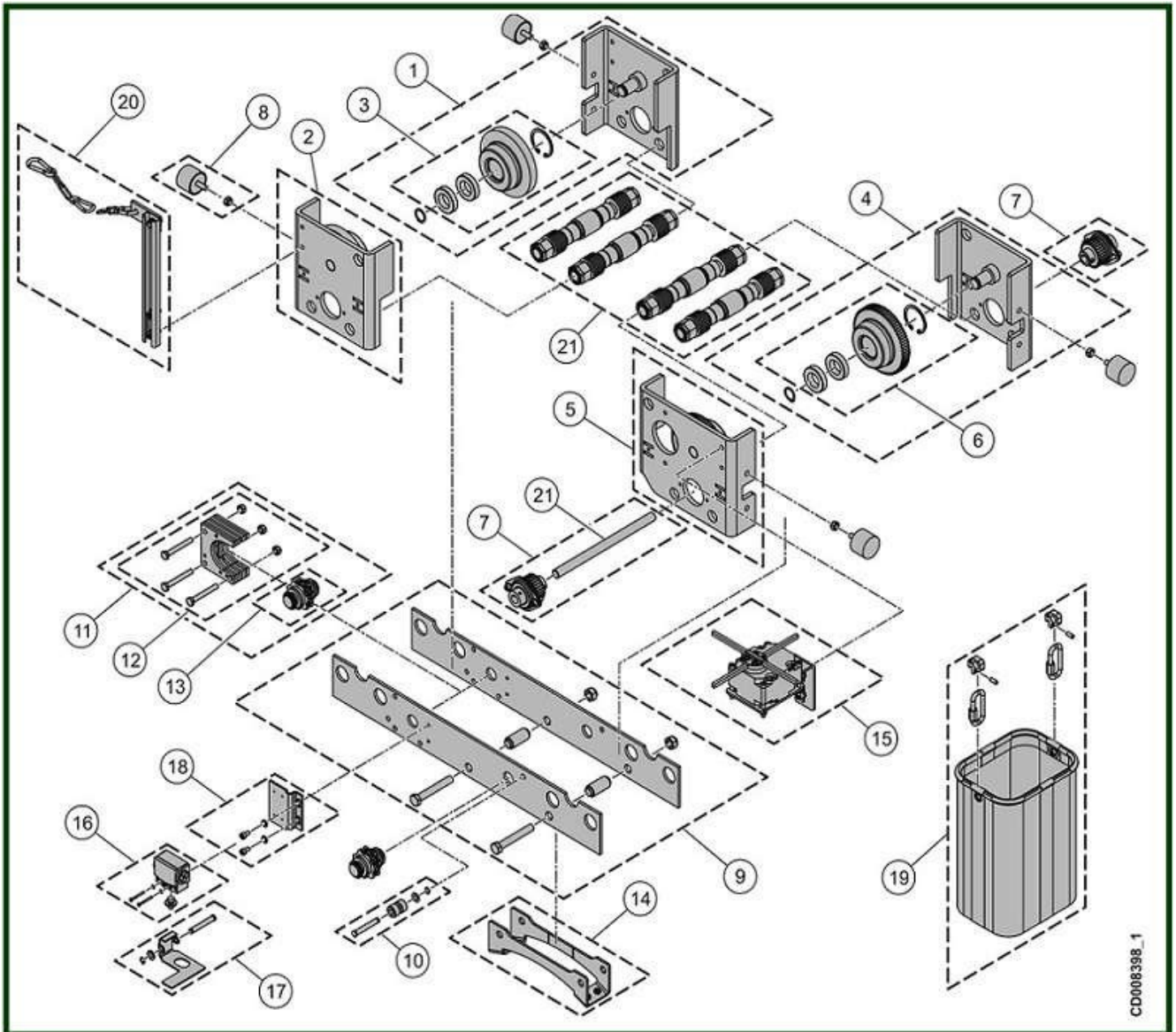
7.6. Right angle motor



Item	Reference	Description	Observation	Quantity
	<u>551037</u>	Cubicle + Mac 2 pcb		1
	<u>2216904</u>	Adaptation set for right angle travelling machinery	Pinion – Flange - Screws	1
	<u>556972</u>	Right angle travelling machinery	Speed 40 & 10m/min - C1-C2-C3	1
	<u>2133033</u>	CI board	2CS - MAC	1

8. LOW HEADROOM TROLLEY

LHT



CD008398_1

Low Headroom Trolley

LHT

Item	Reference	Description	Observation	Quantity
1	<u>VT0008742</u>	Idle flange		1
2	<u>VT0008743</u>	Idle flange	Motor side	1
3	<u>VT0008961</u>	Travel wheel idle without shaft		2
4	<u>VT0008745</u>	Motor flange		1
5	<u>VT0008746</u>	Motor flange	Motor side	1
6	<u>VT0008963</u>	Travel wheel without shaft		2
7	<u>VT0008748</u>	Gear wheel set - 66 to 112	L232	1
7	<u>VT0008947</u>	Gear wheel set - 113 to 154	L274	1
7	<u>VT0008948</u>	Gear wheel set - 155 to 199	L315	1
7	<u>VT0008949</u>	Gear wheel set - 200 to 259	L362	1
7	<u>VT0008950</u>	Gear wheel set - 260 to 300	L422	1
8	<u>VT0008749</u>	Buffer	D40L50	1
9	<u>VT0008894</u>	Plate set	HPR	1
10	<u>VT0008895</u>	Diabolo set	LHT 5x14	1
12	<u>VT0008966</u>	Sprocket	4x11,7	1
15	<u>VT0008756</u>	Limit switch	1 step	1
16	<u>VT0008892</u>	Limit switch assembly	LHT	1
17	<u>VT0008891</u>	Limit switch activator	LHT	1
18	<u>VT0008893</u>	Fixing set	LHT	1
20	<u>VT0008761</u>	Towing arm	L250	1
20	<u>VT0008762</u>	Towing arm	L450	1
21	<u>VT0008951</u>	Shaft set - 66 to 112	L232	1
21	<u>VT0008952</u>	Shaft set - 113 to 154	L274	1
21	<u>VT0008953</u>	Shaft set - 155 to 199	L315	1
21	<u>VT0008954</u>	Shaft set - 200 to 259	L362	1
21	<u>VT0008955</u>	Shaft set - 260 to 300	L422	1

9. CHD MANUAL TROLLEY



Item	Reference	Description	Observation	Quantity
	<u>VT0006536</u>	Buffer	∅ 18mm - 250 kg	4
	<u>VT0006537</u>	Buffer	∅ 24mm - 500 kg	4