

Spare parts catalog for "VR05 – PHASE 1"

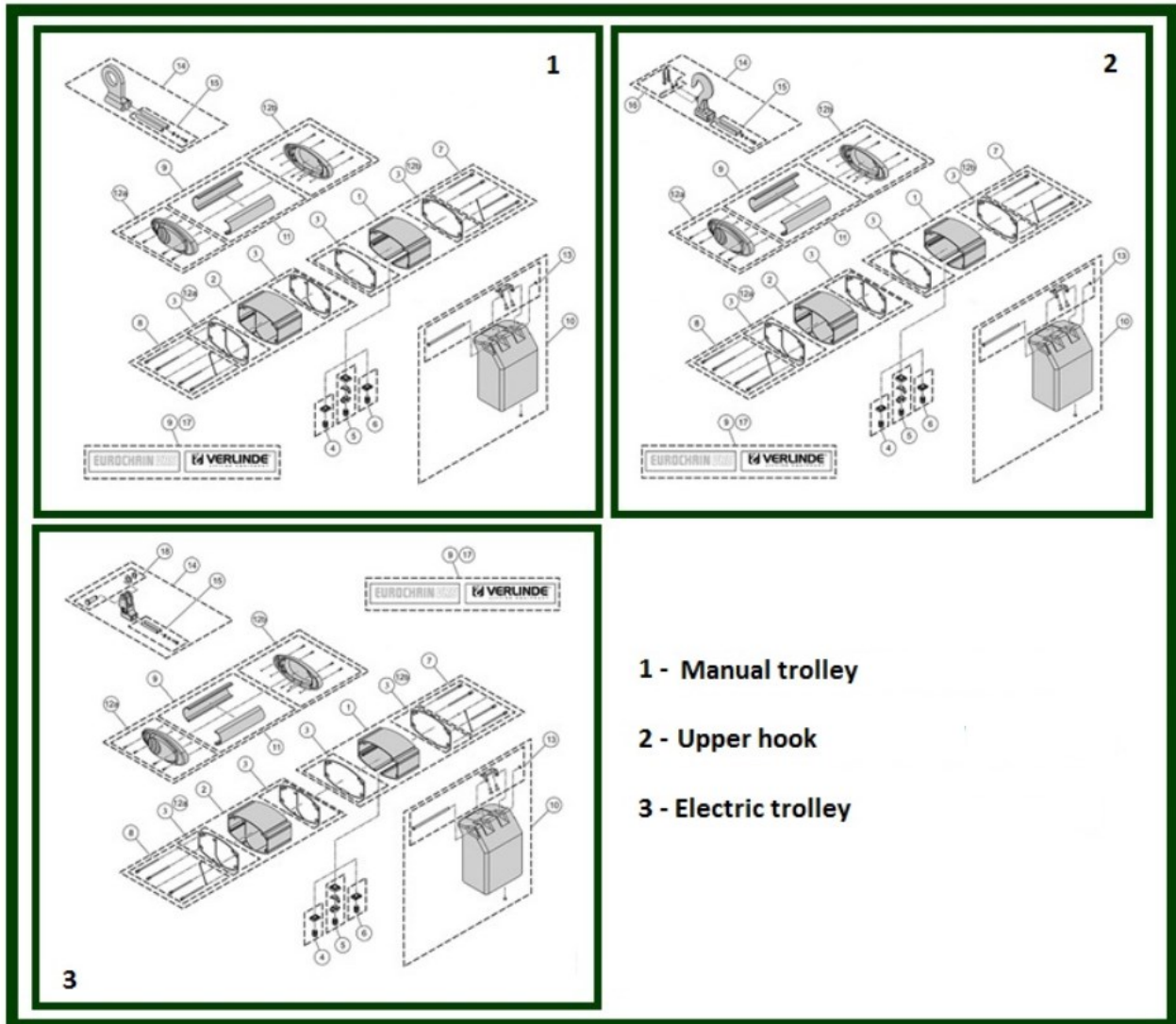
To avoid errors, when ordering please specify:

- Complete type of hoist
- Date of manufacture and serial number
- Spare part code
- Spare part designation
- Additional information

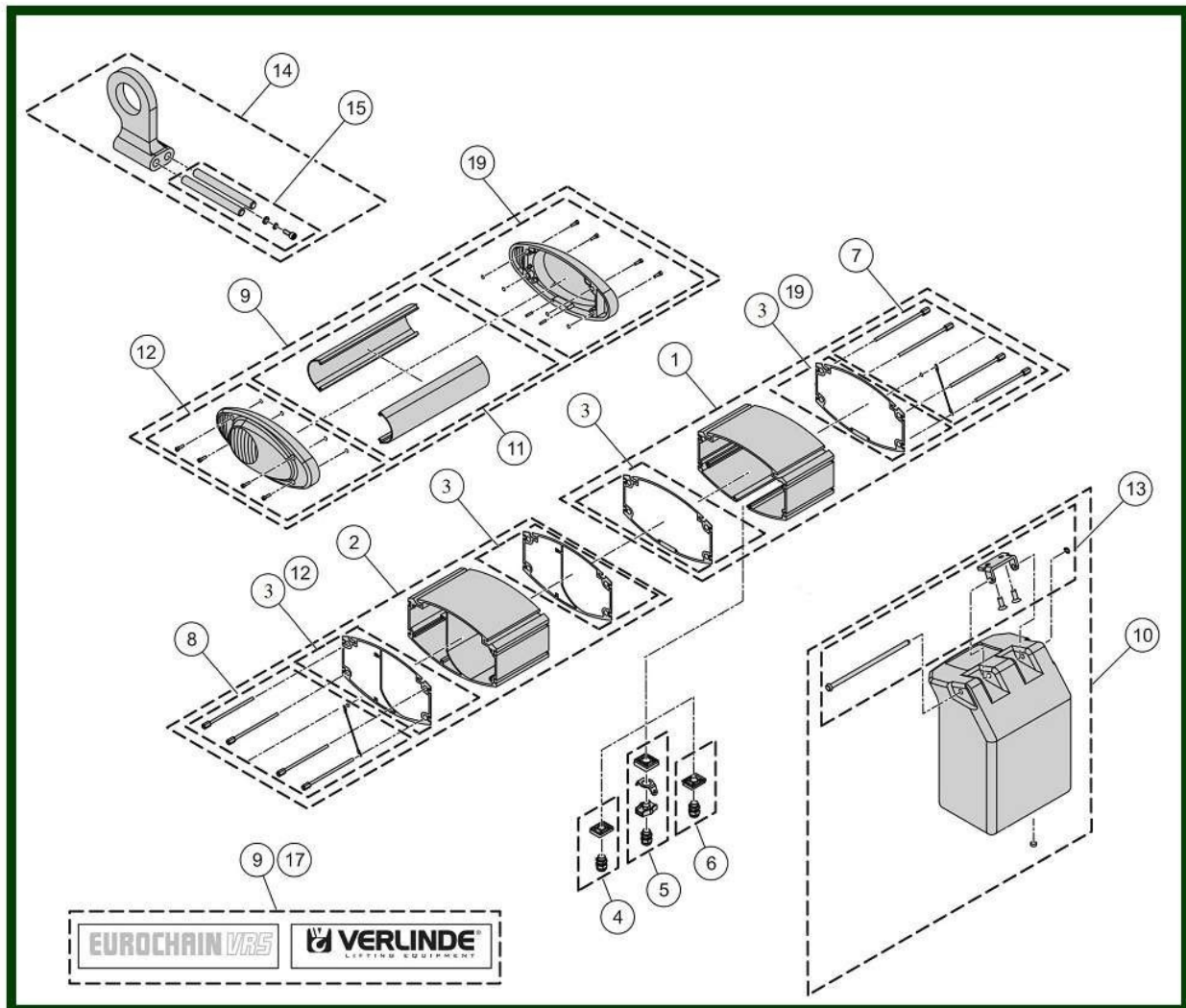


1.	FRAME	3
1.1.	Manual trolley	4
1.2.	Upper hook.....	6
1.3.	Electric trolley.....	8
2.	CHAIN GUIDE	10
2.1.	Chain 5x14 + Hook block	11
2.2.	Chain 4x11 + Hooblock.....	13
2.3.	Chain 5x14 – Digichain	15
2.4.	Precut chain	17
3.	GEAR	18
4.	MOTOR	20
4.1.	Single brake.....	21
4.2.	Double brakes	23
5.	ELECTRICAL PARTS	25
5.1.	Solo Equipment– Standard	26
5.2.	Equipment for Eurosystem - Steel-Alu. & PRV	29
5.3.	Equipment for crane kit - For UT+GTR+GTN	32
5.4.	Without electric component.....	34
5.5.	Direct voltage – ACF.....	35
5.6.	Solo hoist- Hard wiring.....	36
6.	PUSH BUTTON CONTROLLER	37
6.1.	2 buttons.....	38
6.2.	4 buttons.....	40
6.3.	6 buttons.....	42
6.4.	2 and 4 buttons – From September 2014.....	43
6.5.	6 Buttons – ERGOMOVE - From September 2014	45
6.6.	10 Buttons – ERGOMOVE - From September 2014	47
6.7.	10 Buttons – ERGOMOVE – Option pendant label.....	49
7.	NORMAL HEADROOM TROLLEY	51
7.1.	C1 trolley - 0 to 1000 kg – Hanging version	52
7.2.	C1 trolley - 0 to 1000 kg – Hanging version	53
7.3.	C2 trolley - 1001 to 2000 kg – Hanging version	54
7.4.	C2 trolley - 1001 to 2000 kg – Coupled version	56
7.5.	Inverter TMU motor.....	58
7.6.	Two speeds TMU motor.....	60
7.7.	Chain travel	62
7.8.	Right angle motor	63
8.	LOW HEADROOM TROLLEY	64

1. FRAME



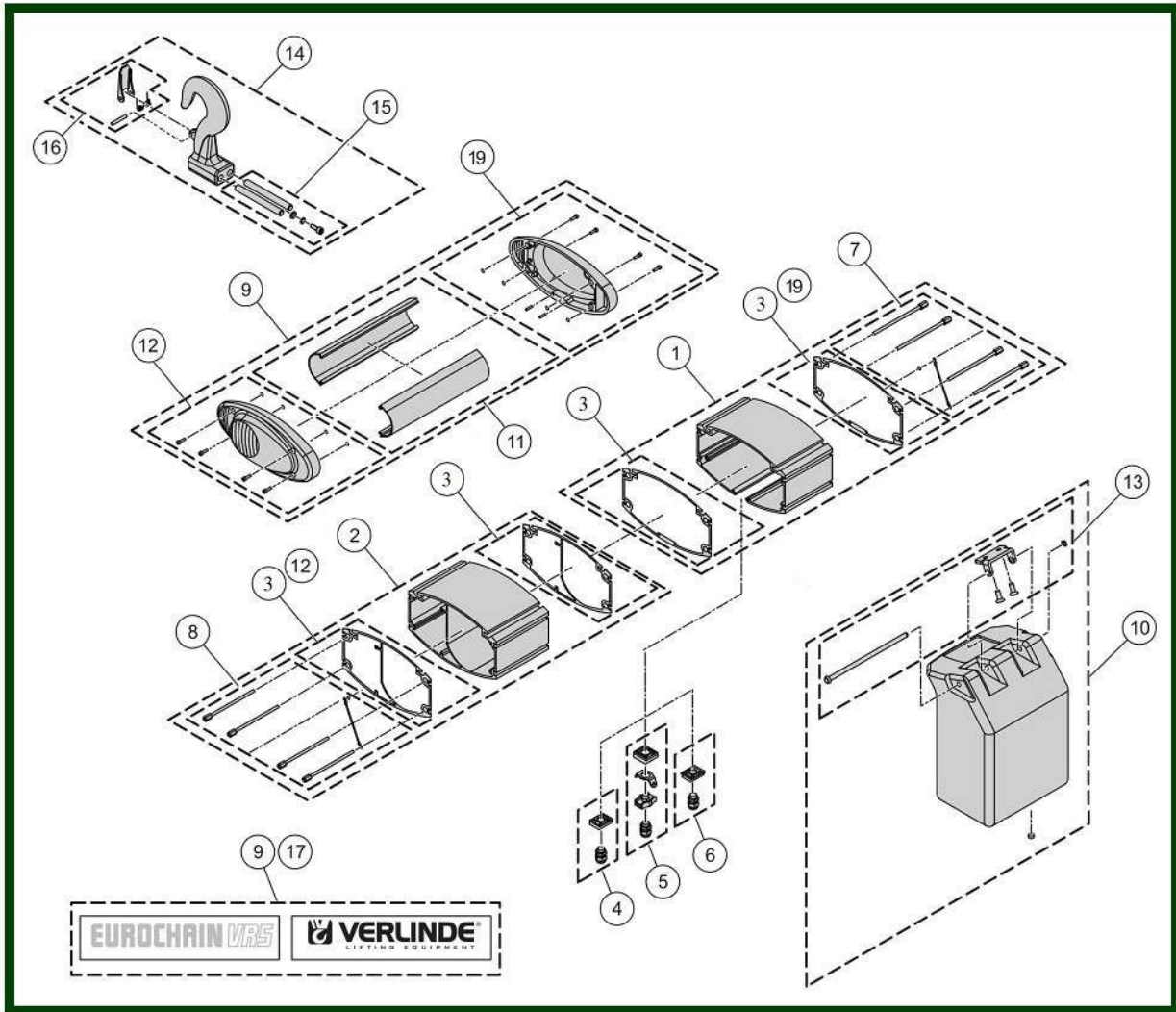
1.1. Manual trolley



Manual trolley

Item	Reference	Description	Observation	Quantity
1	<u>VT0004903</u>	Frame - Brake side	Single brake	1
2	<u>VT0004555</u>	Frame - Motor side	Standard: Single brake & double brakes GLS : Double brakes	1
3	<u>VT0004857</u>	Sealings set		1
4	<u>VT0006454</u>	Cable gland set flat cable Square cable entry	12G1.5/4G2.5/4G6mm2 - ISO 25	1
4	<u>VT0006326</u>	Cable gland set Square cable entry	Flat cable 4G2.5	1
4	<u>VT0006393</u>	Cable gland set Square cable entry	CG M20- ISO 20 Trolley-Power supply	1
5	<u>VT0005090</u>	Cable gland set Square cable entry	Push buttons	1
6	<u>VT0006089</u>	End cap Square cable entry		1
7	<u>VT0006327</u>	Screw set M6L147 - Brake side	Standard + GLS - 2 comes Single brake	1
8	<u>VT0006328</u>	Screw set M6L161 - Motor side	Standard + GLS Single brake & Double brakes	1
9	<u>VT0006334</u>	Cover	Single brake	1
10	<u>VT0004964</u>	Chain bucket	8 m for 5x14 12 m for 4x11	1
10	<u>VT0006358</u>	Chain bucket	16 m for 5x14	1
10	<u>VT0006002</u>	Chain bucket	30 m for 5x14 50 m for 4x11 Industrial / Normal	1
11	<u>VT0004858</u>	Housing	Single brake	1
12	<u>VT0006335</u>	Cover set - Motor side		1
13	<u>VT0004860</u>	Fixing set of chain bucket	30 m – Industrial / Normal	1
14	<u>VT0004966</u>	Coupling part	Manual trolley	1
15	<u>VT0007582</u>	Shaft set		1
15	<u>VT0004862</u>	Shaft set	Rotating + fixed upper hook	1
17	<u>VT0006337</u>	Stickers of brand	Single brake	1
19	<u>VT0006336</u>	Cover set- Brake side	VERLINDE	1
	<u>VT0006026</u>	Identification plate	Serial number request	1
	<u>VT0006091</u>	Set of 10 load plates	250 Kg	1
	<u>VT0006449</u>	Set of 10 load plates	320 Kg	1
	<u>VT0006048</u>	Set of 10 load plates	500 Kg	1
	<u>VT0006049</u>	Set of 10 load plates	630 Kg	1

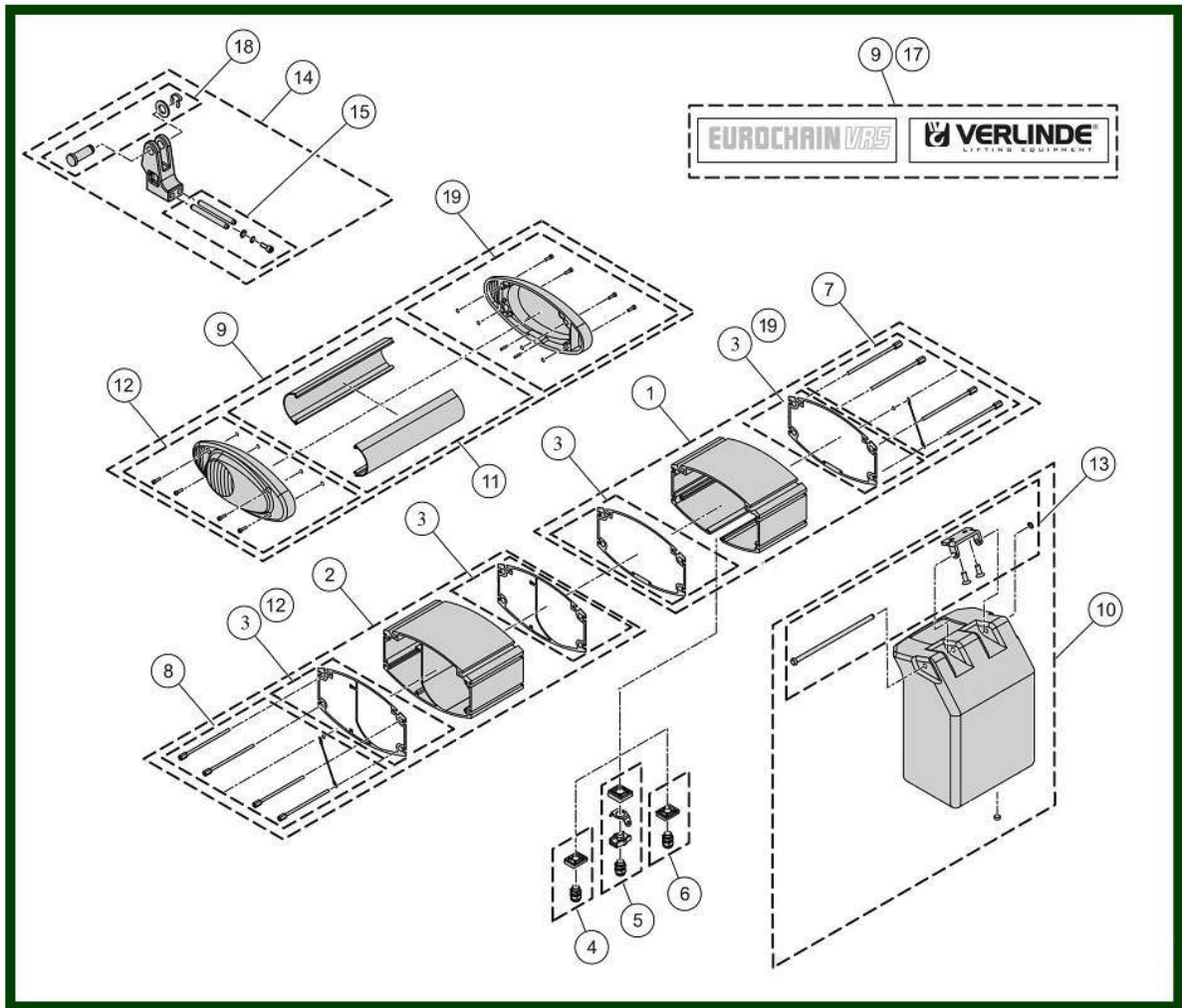
1.2. Upper hook



Upper hook

Item	Reference	Description	Observation	Quantity
1	<u>VT0004903</u>	Frame - Brake side	Single brake	1
2	<u>VT0004555</u>	Frame - Motor side	Standard : Single brake & double brakes GLS : Double brakes	1
3	<u>VT0004857</u>	Sealings set		1
4	<u>VT0006454</u>	Cable gland set flat cable Square cable entry	12G1.5/4G2.5/4G6mm2 - ISO 25	1
4	<u>VT0006326</u>	Cable gland set Square cable entry	Flat cable 4G2.5	1
4	<u>VT0006393</u>	Cable gland set Square cable entry	CG M20- ISO 20 Trolley - Power supply	1
5	<u>VT0005090</u>	Cable gland set Square cable entry	Push buttons	1
6	<u>VT0006089</u>	End cap Square cable entry		1
7	<u>VT0006327</u>	Screw set M6L147 - Brake side	Standard + GLS 2 Single brake	1
8	<u>VT0006328</u>	Screw set M6L161 - Motor side	Standard + GLS Single brake & Double brakes	1
9	<u>VT0006334</u>	Cover	Single brake	1
10	<u>VT0004964</u>	Chain bucket	8 m for 5x14 12 m for 4x11	1
10	<u>VT0006358</u>	Chain bucket	16 m for 5x14	1
10	<u>VT0006002</u>	Chain bucket	30 m for 5x14 50 m for/ 4x11 Industrial / Normal	1
11	<u>VT0004858</u>	Housing	Single brake	1
12	<u>VT0006335</u>	Cover set- Motor side		1
13	<u>VT0004860</u>	Fixing set of chain bucket	30 m – Industrial / Normal	1
14	<u>VT0004967</u>	Upper hook		1
15	<u>VT0007582</u>	Shaft set		1
15	<u>VT0004862</u>	Shaft set	Rotating + fixed upper hook	1
16	<u>VT0004968</u>	Safety latch set	Single brake – Standard safety hook 0,12T - 0,25T	1
17	<u>VT0006337</u>	Stickers of brand	Single brake	1
19	<u>VT0006336</u>	Cover set- Brake side	VERLINDE	1
	<u>VT0006026</u>	Identification plate	Serial number request	1
21	<u>VT0006091</u>	Set of 10 load plates	250 Kg	1
21	<u>VT0006449</u>	Set of 10 load plates	320 Kg	1
21	<u>VT0006048</u>	Set of 10 load plates	500 Kg	1
21	<u>VT0006049</u>	Set of 10 load plates	630 Kg	1

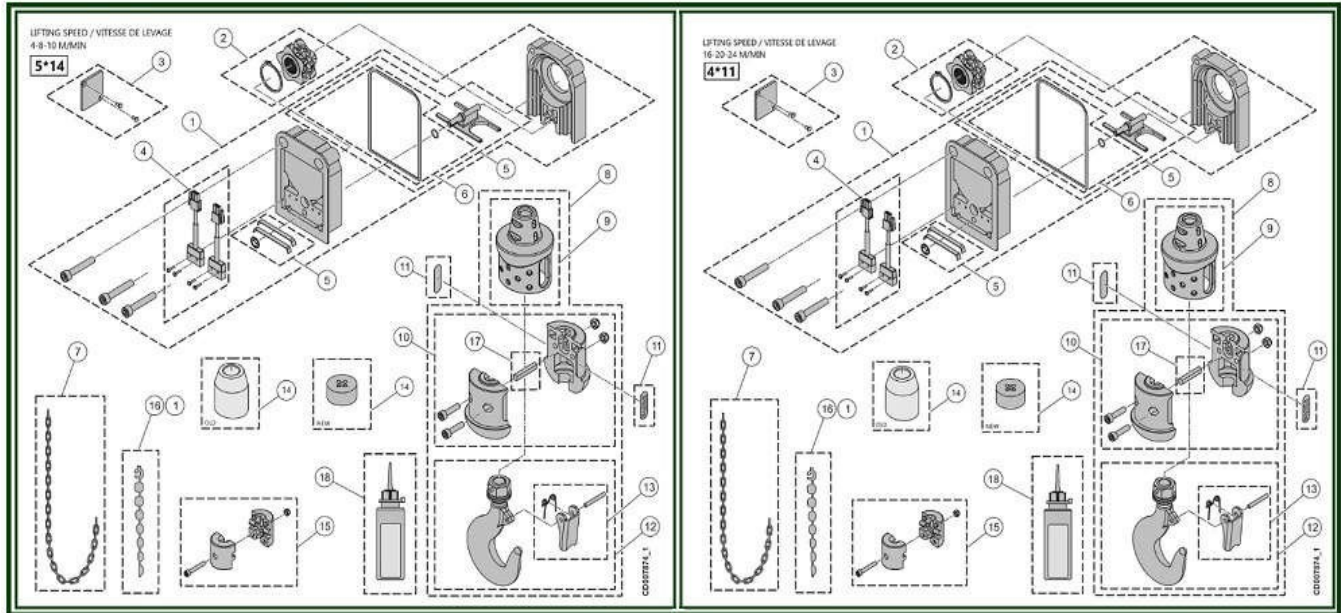
1.3. Electric trolley



Electric trolley

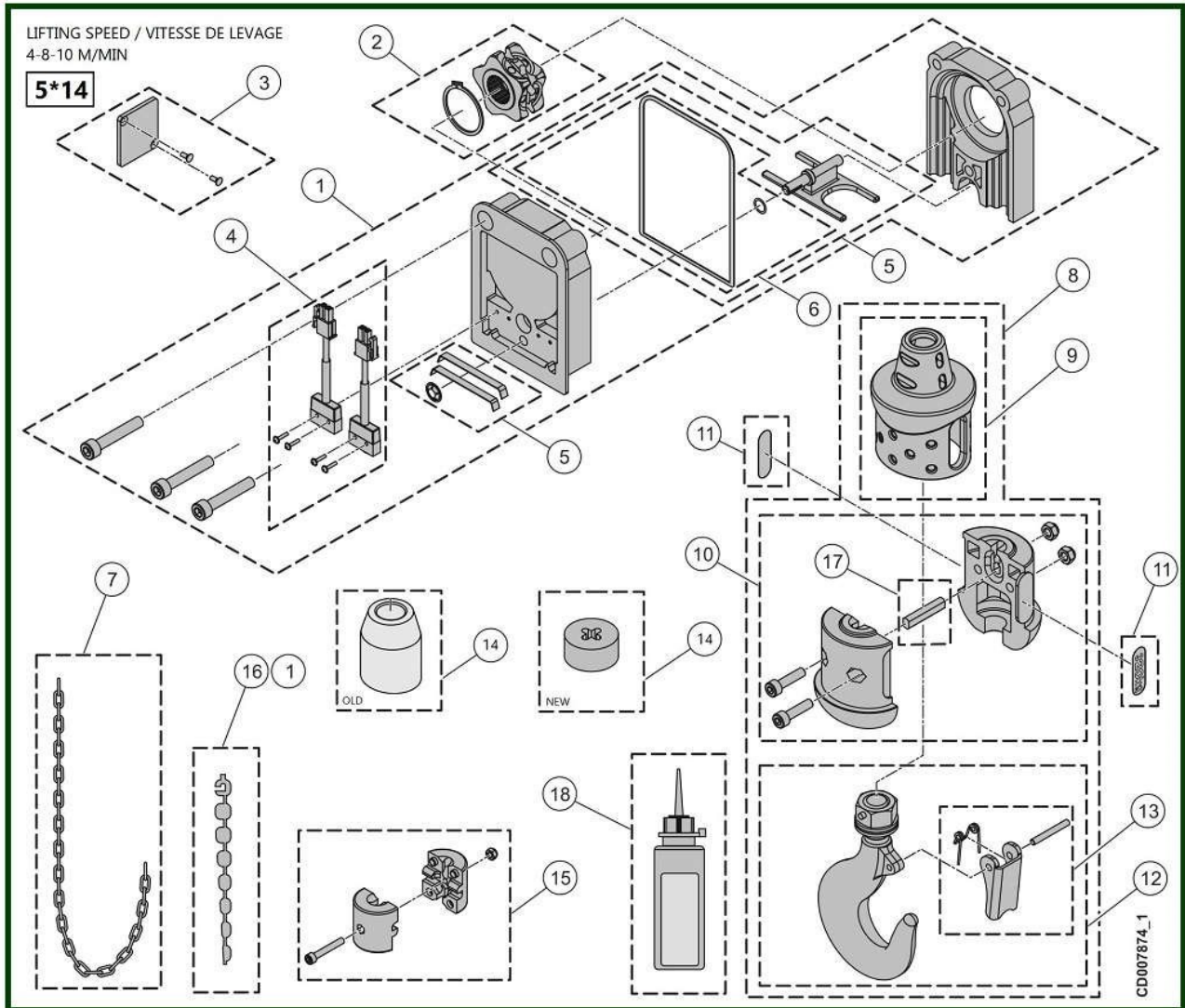
Item	Reference	Description	Observation	Quantity
1	VT0004903	Frame - Brake side	Single brake	1
2	VT0004555	Frame - Motor side	Standard : Single brake & double brakes GLS : Double brakes	1
3	VT0004857	Sealings set		1
4	VT0006454	Cable gland set flat cable Square cable entry	12G1.5/4G2.5/4G6mm2 - ISO 25	1
4	VT0006326	Cable gland set Square cable entry	Flat cable 4G2.5	1
4	VT0006393	Cable gland set Square cable entry	CG M20- ISO 20 Trolley-Power supply	1
5	VT0005090	Cable gland set Square cable entry	Push buttons	1
6	VT0006089	End cap Square cable entry		1
7	VT0006327	Screw set M6L147 - Brake side	Standard + GLS 2 comes Single brake	1
8	VT0006328	Screw set M6L161 - Motor side	Standard + GLS Single brake & Double brakes	1
9	VT0006334	Cover	Single brake	1
10	VT0004964	Chain bucket	8 m for 5x14 12 m for 4x11	1
10	VT0006002	Chain bucket	30 m for 5x14 50 m for 4x11 Industrial / Normal	1
11	VT0004858	Housing	Single brake	1
12	VT0006335	Cover set - Motor side		1
13	VT0004860	Fixing set of chain bucket	30 m – Industrial / Normal	1
14	VT0006331	Coupling part	Electric trolley	1
15	VT0004862	Shaft set		1
17	VT0006337	Stickers of brand	Single brake	1
18	VT0006338	Shaft set	Electric trolley	1
19	VT0006336	Cover set- Brake side	VERLINDE	1
	VT0006091	Set of 10 load plates	250 Kg	1
	VT0006449	Set of 10 load plates	320 Kg	1
	VT0006048	Set of 10 load plates	500 Kg	1
	VT0006049	Set of 10 load plates	630 Kg	1
	VT0006026	Identification plate	Serial number request	1

2. CHAIN GUIDE



2.1. Chain 5x14 + Hook block

Lifting speed: 4-8-10 m / min

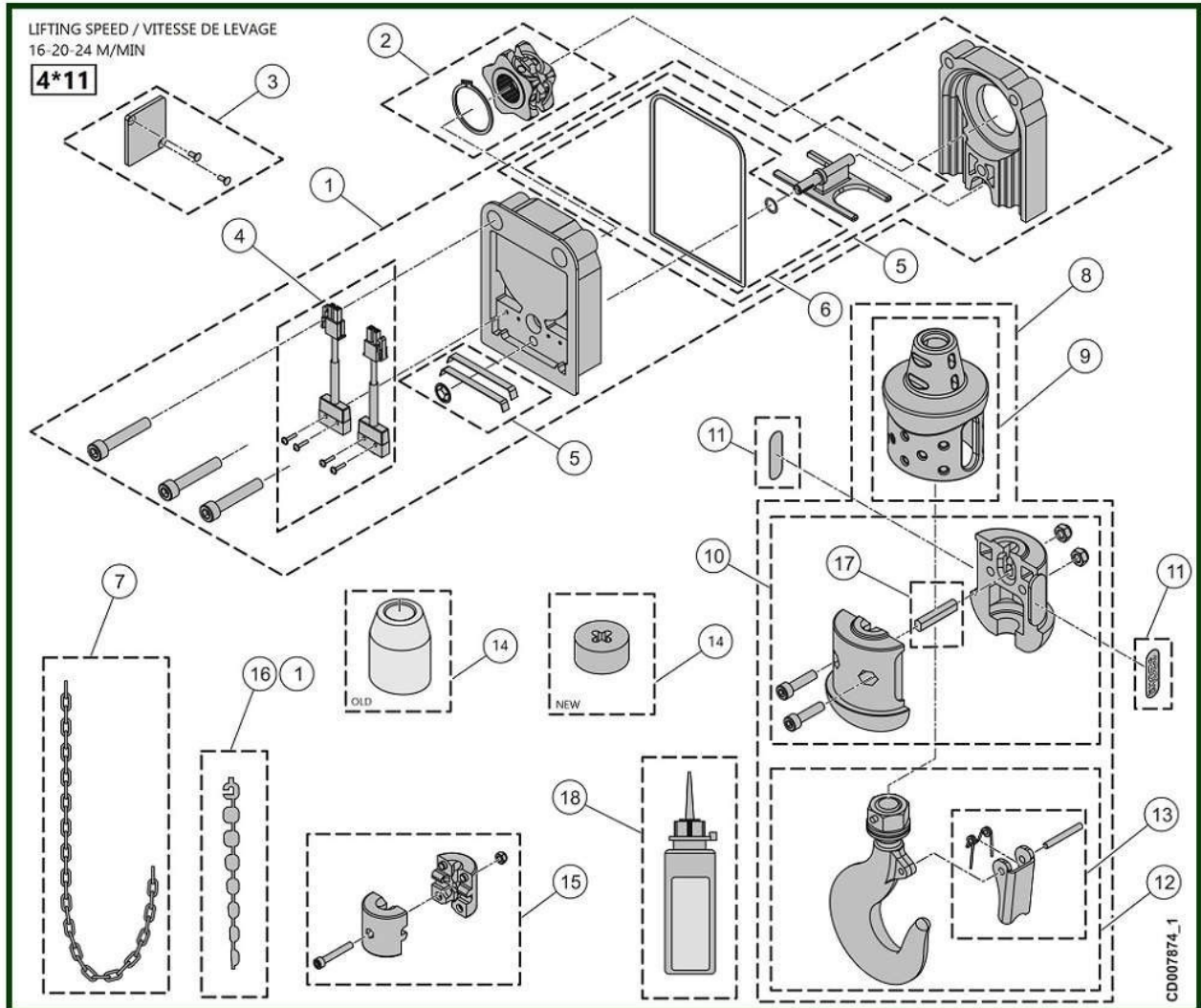


Chain 5x14 + Hook block

Item	Reference	Description	Observation	Quantity
1	VT0006064	Chain guide - Chain 5x14	LHT	1
1	VT0004875	Chain guide - Chain 5x14	Standard	1
2	VT0005106	Chain sprocket		1
3	VT0004870	Cap	Chain guide	1
4	VT0004876	Switch set		1
5	VT0004872	Limit switch activator		1
6	VT0004871	Sealings set		1
7	VT0006343	Stainless steel chain - 5x14	Be careful : the max load have to be decreased	1
7	VT0005109	Galvanized standard chain - 5x14		1
8	VT0006487	Hook block- 1 fall	Stainless steel hook	1
8	VT0004969	Hook block- 1 fall	Standard safety hook	1
8	VT0006488	Hook block- 1 fall	Automatic hook	1
9	VT0004971	Rubber chain stop		1
10	VT0004873	Half casing set	Standard safety hook	1
11	VT0006340	Set of 10 load plates	250 Kg	1
11	VT0006341	Set of 10 load plates	320 Kg	1
11	VT0006041	Set of 10 load plates	500 Kg	1
11	VT0006342	Set of 10 load plates	630 Kg	1
12	VT0006453	Automatic hook		1
12	VT0006452	Stainless steel hook		1
12	VT0004975	Standard safety hook		1
13	VT0004968	Safety latch set	Single brake-Standard safety hook 0,12T-0,25T	1
14	VT0004934	Rubber chain stop Old model	Be careful : Never use as chain stop side hook	1
14	VT0007024	Rubber chain stop New model	Since 24/06/2015	1
15	VT0004877	Chain stop		1
16	VT0005574	Chain fitting tool		1
17	VT0006240	Shaft		1
18	VT0006025	Oil can		1

2.2. Chain 4x11 + Hooblock

Lifting speed: 16-20-24 m / min

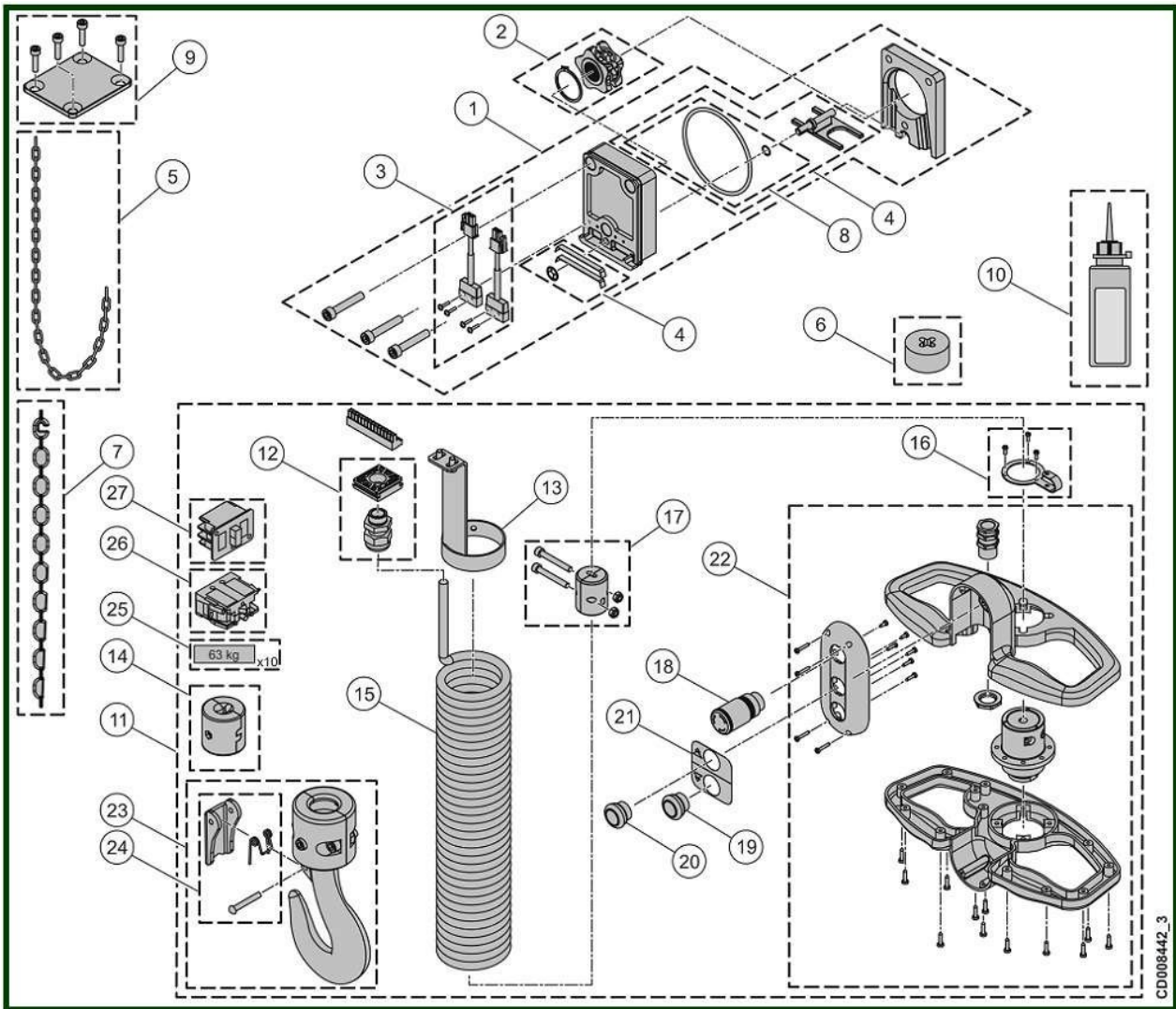


Chain 4x11 + Hooblock

Lifting speed : 16-20-24 m / min

Item	Reference	Description	Observation	Quantity
1	<u>VT0005111</u>	Chain guide- Chain 4x11		1
2	<u>VT0005110</u>	Chain sprocket		1
3	<u>VT0004870</u>	Cap	Chain guide	1
4	<u>VT0004876</u>	Switch set		1
5	<u>VT0004872</u>	Limit switch activator		1
6	<u>VT0004871</u>	Sealings set		1
7	<u>VT0005076</u>	Galvanized chain- 4x11	Standard	1
7	<u>VT0006274</u>	Stainless steel chain- 4x11	Be careful : hoist downgraded	1
8	<u>VT0006490</u>	Hook block- 1 fall	Automatic hook	1
8	<u>VT0006489</u>	Hook block- 1 fall	Stainless steel hook	1
8	<u>VT0004928</u>	Hook block- 1 fall	Standard safety hook	1
9	<u>VT0004930</u>	Rubber chain stop		1
10	<u>VT0004725</u>	Half casing set		1
11	<u>VT0006346</u>	Set of 10 load plates	250 Kg	1
11	<u>VT0006347</u>	Set of 10 load plates	320 Kg	1
12	<u>VT0006455</u>	Hook assembly	BE CAREFUL : Stainless steel chain The max load have to be decreased	1
12	<u>VT0004926</u>	Hook assembly	Standard	1
12	<u>VT0006427</u>	Lower hook assembly	Automatic - 1+2 falls	1
13	<u>VT0004927</u>	Safety latch set	Standard safety hook (VT0005901)	1
14	<u>VT0004934</u>	Rubber chain stop Old model	BE CAREFUL: Never use as chain stop side hook	1
14	<u>VT0007576</u>	Rubber chain stop	Since 17/06/2015	1
15	<u>VT0004878</u>	Chain stop		1
16	<u>VT0005573</u>	Chain fitting tool	CHCM-011	1
17	<u>VT0006093</u>	Pin		1
18	<u>VT0006025</u>	Oil can		1

2.3. Chain 5x14 – Digichain



Chain 5x14 – Digichain

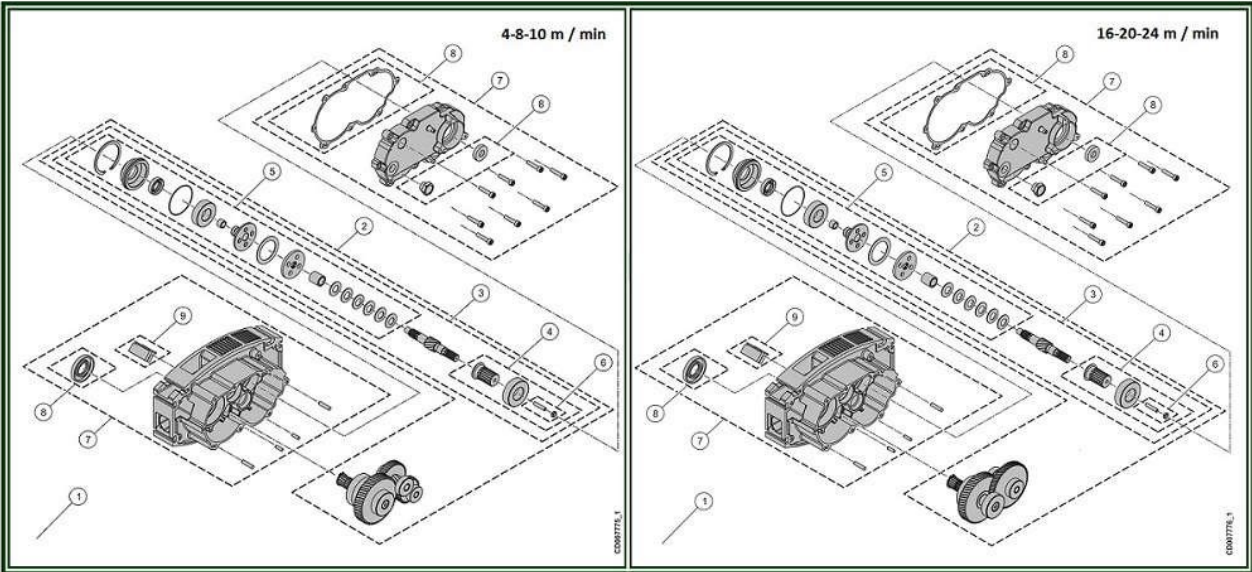
Item	Reference	Description	Observation	Quantity
1	VT0004875	Chain guide - Chain 5x14	Inverted version	1
2	VT0005106	Chain sprocket		1
3	VT0004876	Switch set		1
4	VT0004872	Limit switch activator		1
5	VT0006343	Stainless steel chain - 5x14		1
5	VT0005109	Galvanized standard chain - 5x14		1
6	VT0007024	Rubber chain stop	Since 24/06/2015	1
7	VT0005574	Chain fitting tool		1
8	VT0004871	Sealings set		1
9	VT0004870	Cap	Chain guide	1
10	VT0006025	Oil can		1
11	VT0006333	Sub assy Digichain	Lg 3 m	1
11	VT0009238	Sub assy Digichain	Lg 5 m	1
12	VT0006393	Cable gland set Square cable entry	CG M20- ISO 20 Trolley-Power supply	1
13	VT0009203	Fixing set	D70H148	1
14	VT0004877	Chain stop		1
15	VT0009205	Spiral cable	Lg 3m	1
15	VT0009206	Spiral cable	Lg 5m	1
16	VT0008839	Fixing plate		1
17	VT0009207	Coupling set	D35H45	1
18	VT0006548	Emergency push button		1
19	VT0009208	White button	XACA9411	1
20	VT0009209	Push button	XACA9412	1
21	VT0009210	Up & down sticker	CCGCPBPB-00	1
22	VT0009211	Pendant box module	CC05PBPB-01	1
23	VT0009014	Standard safety hook	RSN020T-HCH	1
24	VT0004968	Safety latch set	Single brake - 0,12T-0,25T Standard safety hook	1

25	<u>VT0009164</u>	Set of 10 load plates	63 kg	1
25	<u>VT0009165</u>	Set of 10 load plates	80 kg	1
25	<u>VT0009166</u>	Set of 10 load plates	125 kg	1
25	<u>VT0009167</u>	Set of 10 load plates	160 kg	1
25	<u>VT0009168</u>	Set of 10 load plates	250 kg	1
25	<u>VT0009169</u>	Set of 10 load plates	320 kg	1
25	<u>VT0009170</u>	Set of 10 load plates	500 kg	1
26	<u>VT0009212</u>	Contact block	XAC-S 414	1
27	<u>VT0007879</u>	Contact block	XENG1191	1

2.4 Precut chain

Item	Reference	Description	Observation	Quantity
	<u>53020235</u>	Galvanized load chain 4x11	4 m	1
	<u>53020251</u>	Galvanized load chain 4x11	6 m	1
	<u>53020218</u>	Galvanized load chain 5x14	3,5 m	1
	<u>53020220</u>	Galvanized load chain 5x14	5 m	1
	<u>53020221</u>	Galvanized load chain 5x14	10 m	1

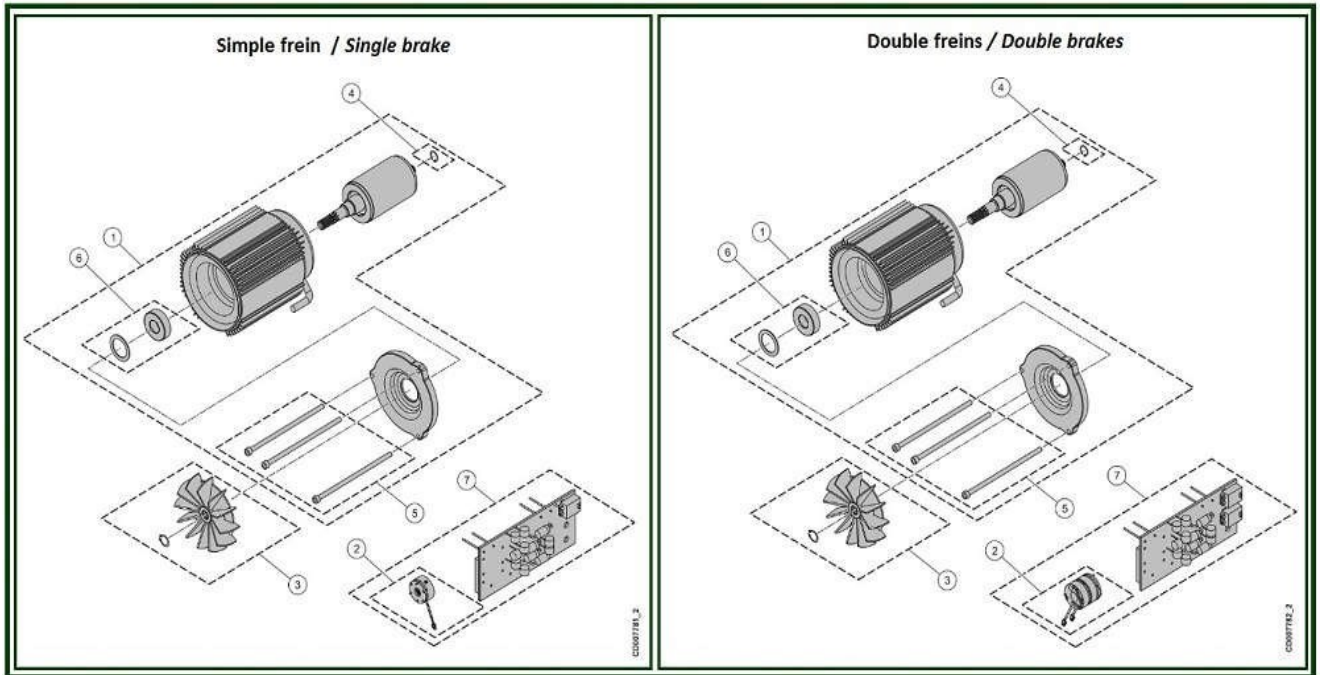
3. GEAR



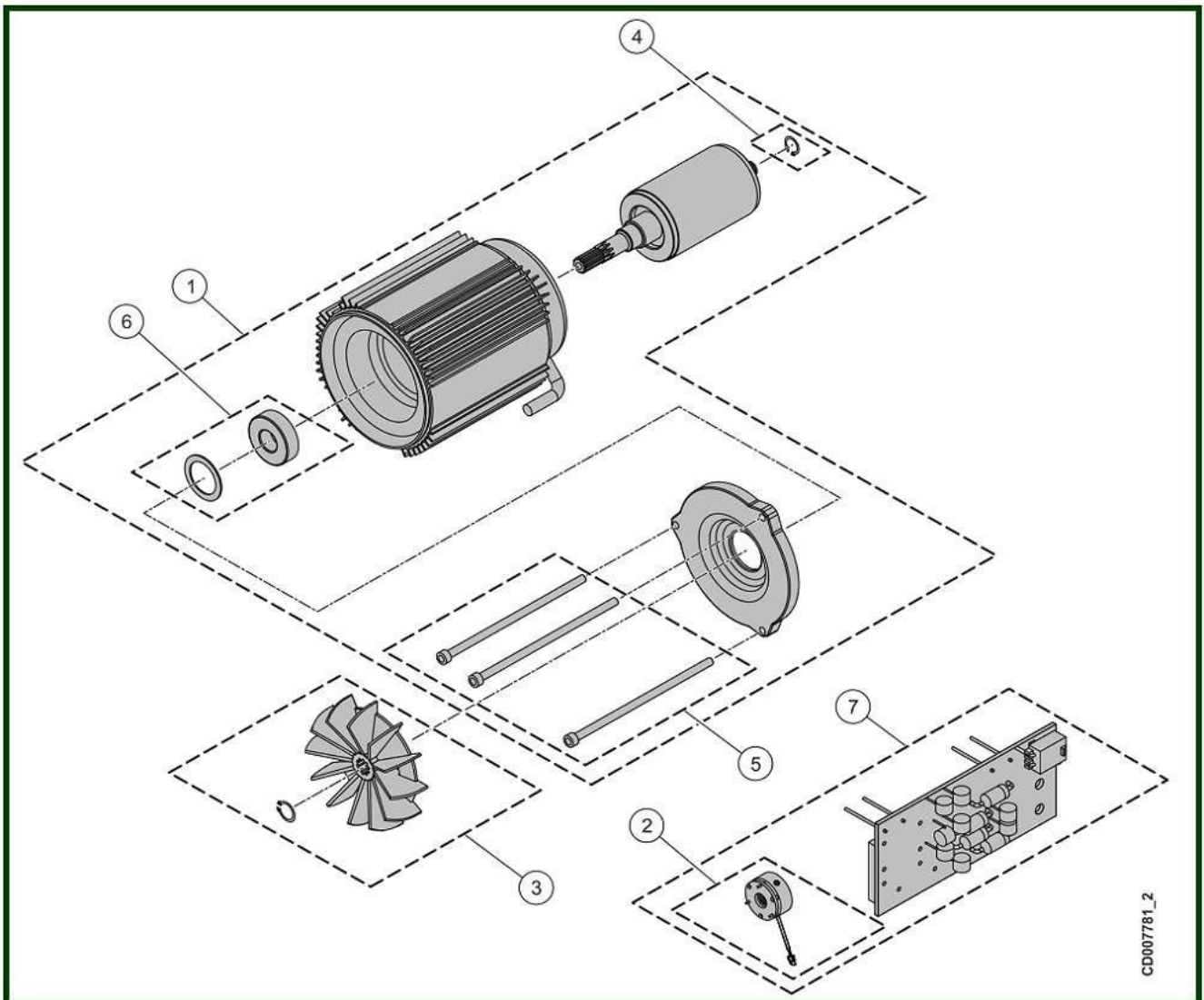
Gear

Item	Reference	Description	Observation	Quantity
1	<u>VT0006456</u>	Gear assembly - Single brake	4-8 m/min	1
1	<u>VT0006457</u>	Gear assembly - Single brake	10 m/min	1
1	<u>VT0006458</u>	Gear assembly - Single brake	16 m/min	1
1	<u>VT0006459</u>	Gear assembly - Single brake	20 m/min	1
1	<u>VT0006460</u>	Gear assembly - Single brake	24 m/min	1
1	<u>VT0006498</u>	Gear assembly - Double brakes	4-8 m/min	1
1	<u>VT0006499</u>	Gear assembly - Double brakes	10 m/min	1
1	<u>VT0006500</u>	Gear assembly - Double brakes	16 m/min	1
1	<u>VT0006501</u>	Gear assembly - Double brakes	20 m/min	1
1	<u>VT0006502</u>	Gear assembly - Double brakes	24 m/min	1
2	<u>VT0006468</u>	Gear / Pinion set - Single brake	8 m/min	1
2	<u>VT0006470</u>	Gear / Pinion set - Single brake	16 m/min	1
2	<u>VT0006469</u>	Gear / Pinion set - Single brake	10 m/min	1
2	<u>VT0006471</u>	Gear / Pinion set - Single brake	20 m/min	1
2	<u>VT0006472</u>	Gear / Pinion set - Single brake	24 m/min	1
2	<u>VT0006463</u>	Gear / Pinion set - Double brakes	4-8 m/min	1
2	<u>VT0006464</u>	Gear / Pinion set - Double brakes	10 m/min	1
2	<u>VT0006465</u>	Gear / Pinion set - Double brakes	16 m/min	1
2	<u>VT0006466</u>	Gear / Pinion set - Double brakes	20 m/min	1
2	<u>VT0006467</u>	Gear / Pinion set - Double brakes	24 m/min	1
3	<u>VT0004885</u>	Gear shaft with clutch - Single brake	8m/min	1
3	<u>VT0006503</u>	Gear shaft with clutch - Double brakes	8m/min	1
4	<u>VT0004886</u>	Coupling- Brake side - Single brake		1
4	<u>VT0006504</u>	Coupling- Brake side - Double brakes		1
5	<u>VT0004887</u>	Clutch		1
6	<u>VT0006107</u>	Screw set		1
7	<u>VT0004888</u>	Frame		1
8	<u>VT0004890</u>	Sealings set	Standard	1
9	<u>VT0004976</u>	Rubber		1

4. MOTOR



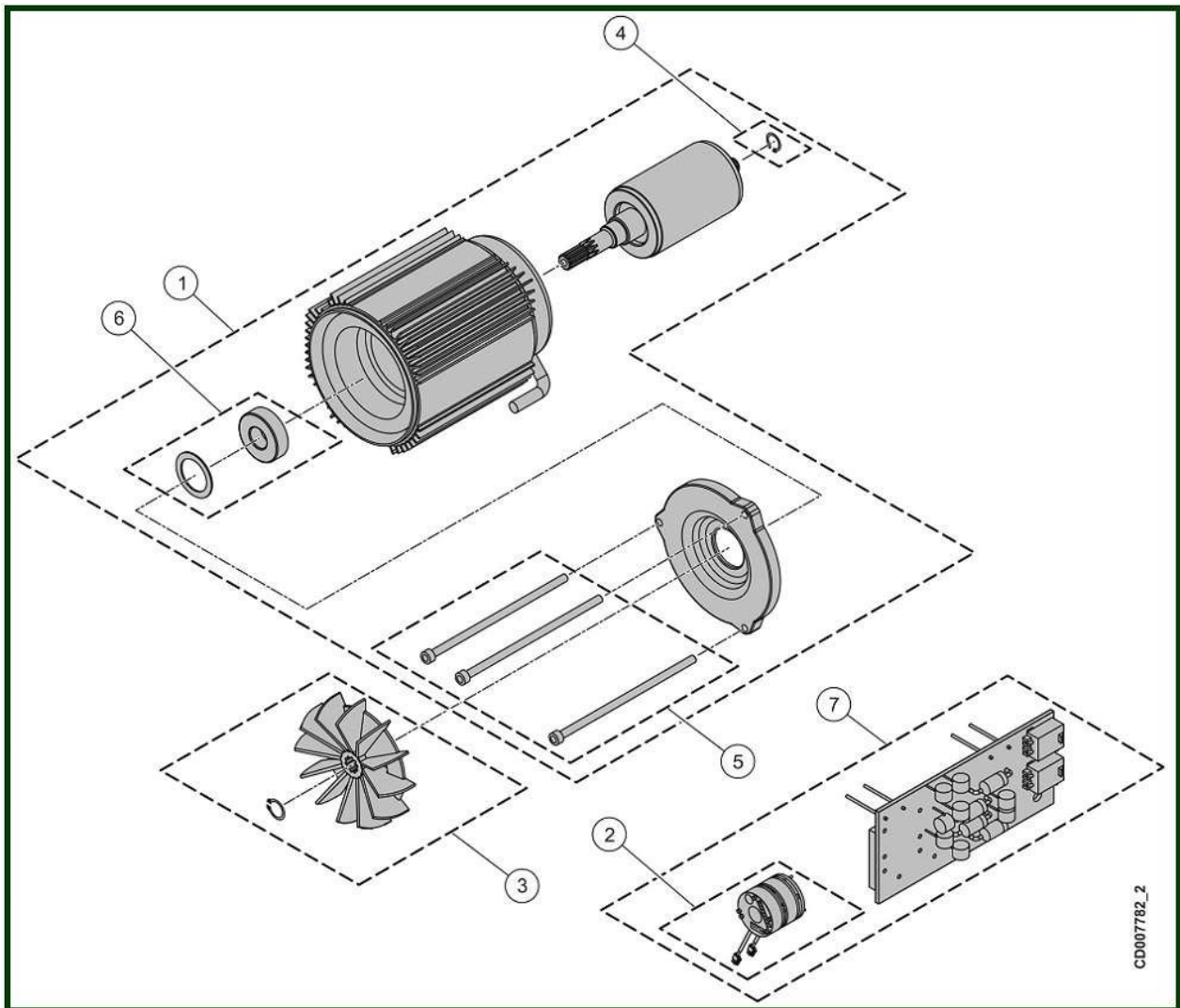
4.1. Single brake



Single brake

Item	Reference	Description	Observation	Quantity
1	<u>VT0007722</u>	Motor - 2 speeds 208-230V 60 Hz	4 m/min	1
1	<u>VT0006483</u>	Motor - 2 speeds 220-240V 50 Hz	4 m/min	1
1	<u>VT0007721</u>	Motor - 2 speeds 380-400V 60 Hz	4 m/min	1
1	<u>VT0007720</u>	Motor - 2 speeds 500-525V/50 Hz 575-600V 60Hz	4 m/min	1
1	<u>VT0006280</u>	Motor - 2 speeds 208-230V 60Hz	8-10-16-20 m/min	1
1	<u>VT0006478</u>	Motor - 2 speeds 380-400V 60HZ	8-10-16-20 m/min	1
1	<u>VT0006482</u>	Motor - 2 speeds 380-415V 50Hz 440-480V 60Hz	4 m/min (1500/750tr/min) (1800/900tr/min)	1
1	<u>VT0006477</u>	Motor - 2 speeds 220-240V 50Hz	8-10-16-20 m/min (3000/750tr/min)	1
1	<u>VT0004892</u>	Motor - 2 speeds 380-415V 50Hz 440-480V 60Hz	8-10-16-20 m/min (3000/750tr/min) (3600/900tr/min)	1
1	<u>VT0006479</u>	Motor - 2 speeds 500-525V 50Hz 575-600V 60Hz	8-10-16-20 m/min	1
2	<u>VT0004661</u>	Single brake	103-230V	1
2	<u>VT0004979</u>	Single brake	190-400V	1
2	<u>VT0006473</u>	Single brake	255-500V	1
2	<u>VT0006474</u>	Single brake	320-690V	1
3	<u>VT0004891</u>	Fan set		1
4	<u>VT0004977</u>	Retaining ring		1
5	<u>VT0006485</u>	Screw set	M6x160	1
6	<u>VT0006569</u>	Bearing set		1
7	<u>VT0006187</u>	Single brake + rectifier	103V	1
7	<u>VT0006262</u>	Single brake + rectifier	190V	1

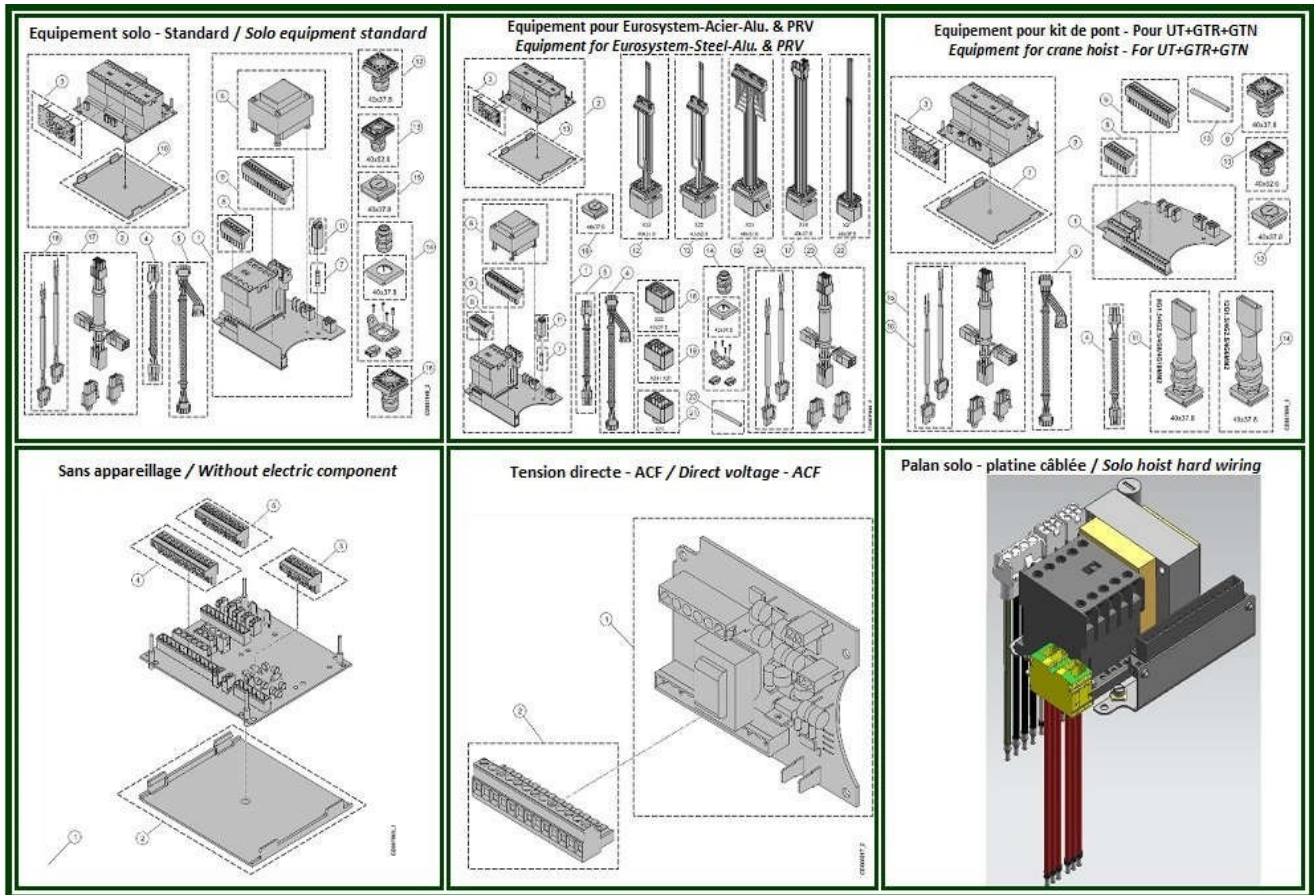
4.2. Double brakes



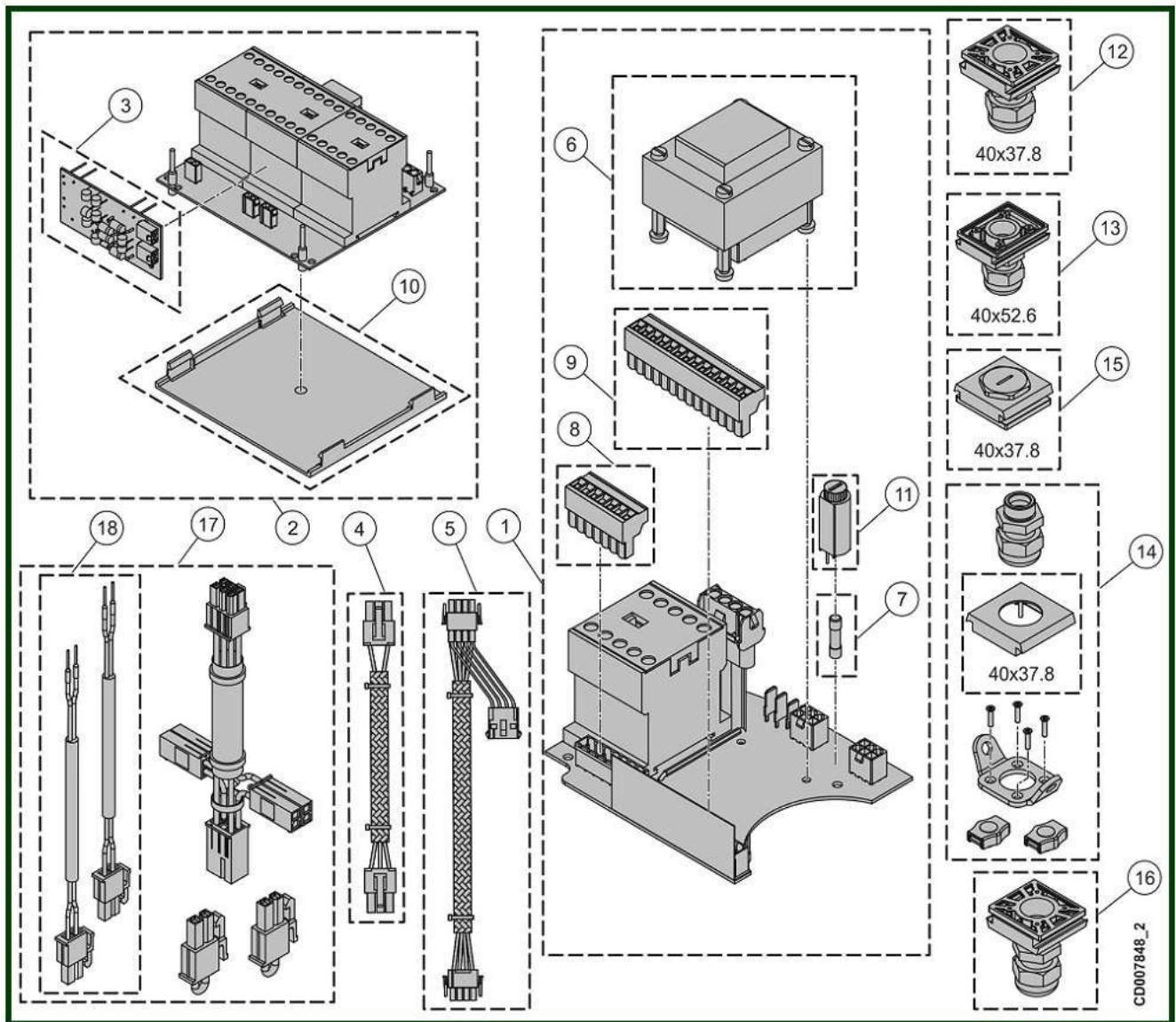
Double brakes

Item	Reference	Description	Observation	Quantity
1	<u>VT0007722</u>	Motor - 2 speeds 208-230V 60 Hz	4 m/min	1
1	<u>VT0006483</u>	Motor - 2 speeds 220-240V 50 Hz	4 m/min	1
1	<u>VT0007721</u>	Motor - 2 speeds 380-400V 60 Hz	4 m/min	1
1	<u>VT0007720</u>	Motor - 2 speeds 500-525V/50 Hz 575-600V 60Hz	4 m/min	1
1	<u>VT0006280</u>	Motor - 2 speeds 208-230V 60Hz	8-10-16-20 m/min	1
1	<u>VT0006478</u>	Motor - 2 speeds 380-400V 60HZ	8-10-16-20 m/min	1
1	<u>VT0006482</u>	Motor - 2 speeds 380-415V 50Hz 440-480V 60Hz	4 m/min (1500/750tr/min) (1800/900tr/min)	1
1	<u>VT0006477</u>	Motor - 2 speeds 220-240V 50Hz	8-10-16-20 m/min (3000/750tr/min)	1
1	<u>VT0004892</u>	Motor - 2 speeds 380-415V 50H 440-480V 60Hz	8-10-16-20 m/min (3000/750tr/min) (3600/900tr/min)	1
1	<u>VT0006479</u>	Motor - 2 speeds 500-525V 50Hz 575-600V 60Hz	8-10-16-20 m/min	1
2	<u>VT0006259</u>	Double brakes	103-230V	1
2	<u>VT0006258</u>	Double brakes	190-400V	1
2	<u>VT0006475</u>	Double brakes	255-500V	1
2	<u>VT0006476</u>	Double brakes	320-690V	1
3	<u>VT0004891</u>	Fan set		1
4	<u>VT0004977</u>	Retaining ring		1
5	<u>VT0006485</u>	Screw set	M6x160	1
6	<u>VT0006569</u>	Bearing set		1
7	<u>VT0006264</u>	Double brakes + rectifier	103V	1
7	<u>VT0006263</u>	Double brakes + rectifier	190V	1

5. ELECTRICAL PARTS



5.1. Solo Equipment– Standard

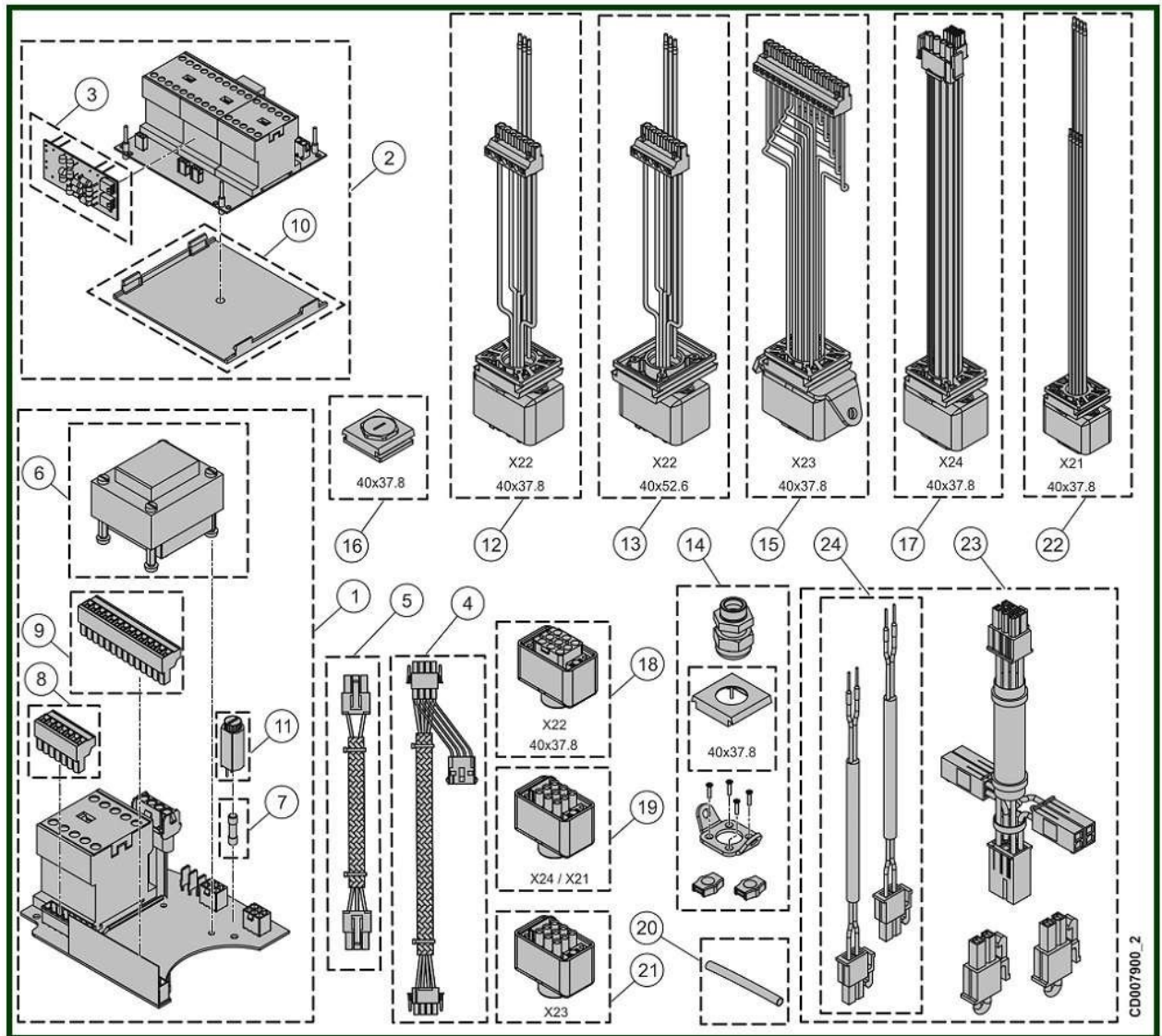


Solo equipment – Standard

Item	Reference	Description	Observation	Quantity
1	<u>VT0006431</u>	Power supply PC Board- Solo hoist	208V 230V / 110V CI/PC - Standard	1
1	<u>VT0006430</u>	Power supply PC Board- Solo hoist	230V / 48V CI/PC - Standard	1
1	<u>VT0004944</u>	Power supply PC Board- Solo hoist	400V / 24V CI/PC BOARD	1
1	<u>VT0004942</u>	Power supply PC Board- Solo hoist	400V / 48V CI/PC BOARD	1
1	<u>VT0005312</u>	Power supply PC Board- Solo hoist	400V / 110V CI/PC BOARD	1
1	<u>VT0005313</u>	Power supply PC Board- Solo hoist	400V / 230V CI/PC BOARD	1
1	<u>VT0006432</u>	Power supply PC Board- Solo hoist	460V / 48V CI/PC BOARD	1
1	<u>VT0006433</u>	Power supply PC Board- Solo hoist	460V / 110V CI/PC BOARD	1
1	<u>VT0006434</u>	Power supply PC Board- Solo hoist	500V / 48V CI/PC BOARD	1
1	<u>VT0006446</u>	Power supply PC Board- Solo hoist	500V / 110V CI/PC BOARD	1
1	<u>VT0006435</u>	Power supply PC Board- Solo hoist	575V / 48V CI/PC BOARD	1
1	<u>VT0006447</u>	Power supply PC Board- Solo hoist	575V / 110V CI/PC BOARD	1
2	<u>VT0005302</u>	Electrical board 2 speeds- 1 brake	230V-690V / 24V / 50 60Hz	1
2	<u>VT0004945</u>	Electrical board 2 speeds- 1 brake	230V-690V / 48V / 50 60Hz	1
2	<u>VT0005303</u>	Electrical board 2 speeds- 1 brake	230V-690V / 110V / 50 60Hz	1
2	<u>VT0005304</u>	Electrical board 2 speeds- 1 brake	230V-690V/ 230V / 50 60Hz	1
2	<u>VT0005305</u>	Electrical board 2 speeds- 2 brakes	230V-690V / 24V /50 60Hz	1
2	<u>VT0005306</u>	Electrical board 2 speeds- 2 brakes	230V-690V / 48V / 50 60Hz	1
2	<u>VT0005307</u>	Electrical board 2 speeds- 2 brakes	230V-690V / 50-60Hz	1
2	<u>VT0005308</u>	Electrical board 2 speeds- 2 brakes	230V-690V/ 230V / 50 60Hz	1
3	<u>VT0004946</u>	Rectifier- 1 brake	230V-690V	1
3	<u>VT0004947</u>	Rectifier- 2 brakes	230V-690V	1
3	<u>VT0004948</u>	Reconnectable rectifier	208V-690V	1
4	<u>VT0004949</u>	Wire harness - Plug control voltage		1
5	<u>VT0004950</u>	Wire harness - Plug power voltage		1

6	<u>VT0006439</u>	Transformer	208V 230V / 115V	1
6	<u>VT0006325</u>	Transformer	230V / 48V	1
6	<u>VT0004952</u>	Transformer	400V / 24V	1
6	<u>VT0004953</u>	Transformer	400V / 48V - 50/60Hz	1
6	<u>VT0004951</u>	Transformer	400V / 115V - 50/60Hz	1
6	<u>VT0004954</u>	Transformer	400V / 230V	1
6	<u>VT0006437</u>	Transformer	460V / 48V	1
6	<u>VT0006440</u>	Transformer	460V / 110V 50/60Hz	1
6	<u>VT0006436</u>	Transformer	500V / 48V	1
6	<u>VT0006438</u>	Transformer	575V / 48V	1
6	<u>VT0008540</u>	Transformer	575V / 110V	1
7	<u>VT0004915</u>	Set of 10 fuses	48V	1
7	<u>VT0004955</u>	Set of 10 fuses	115V	1
7	<u>VT0008541</u>	Set of 10 fuses	230V	1
8	<u>VT0005107</u>	Connector	4P	1
9	<u>VT0005108</u>	Pendant connector	14P	1
10	<u>VT0006441</u>	Insulation plate		1
11	<u>VT0006191</u>	Fuses base		1
12	<u>VT0006393</u>	Cable gland set Square cable entry	CG M20- ISO 20 Trolley - Power supply	1
14	<u>VT0005090</u>	Cable gland set Square cable entry	Push buttons	1
15	<u>VT0006089</u>	End cap Square cable entry		1
16	<u>VT0006326</u>	Cable gland set Square cable entry	Flat cable 4G2.5	1
17	<u>VT0008551</u>	Set of connection GLS	FDC MS +GLS	1
18	<u>VT0008550</u>	GLS cable	Quantity : 2 for 2 or 4 for 4	1
-	<u>VT0006967</u>	Time counter		1

5.2. Equipment for Eurosystem - Steel-Alu. & PRV



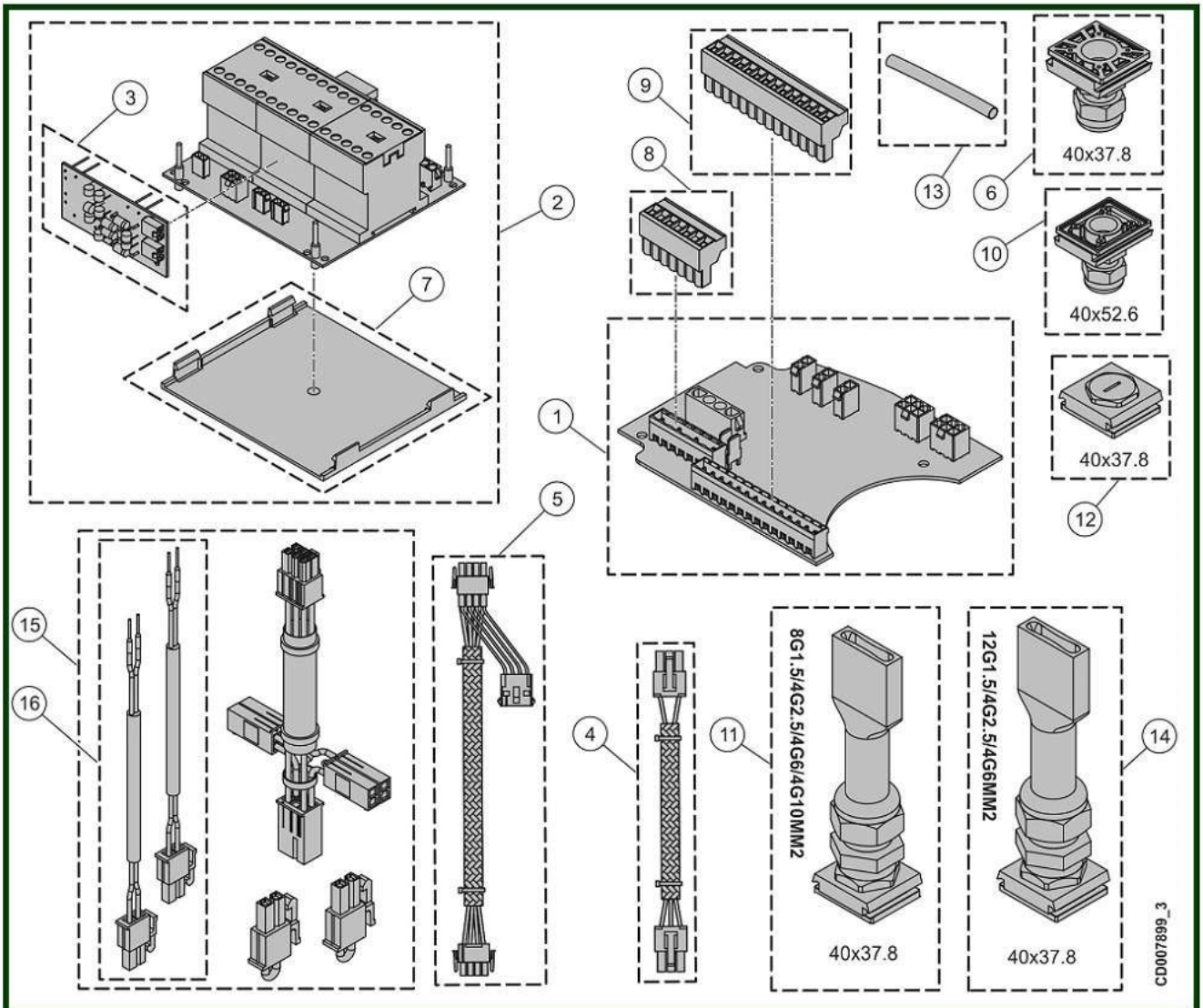
CD007900_2

Equipment for Eurosystem - Steel-Alu. & PRV

Item	Reference	Description	Observation	Quantity
1	<u>VT0006431</u>	Power supply PC Board- Solo hoist	208V 230V / 110V CI/PC - Standard	1
1	<u>VT0006430</u>	Power supply PC Board- Solo hoist	230V / 48V CI/PC - Standard	1
1	<u>VT0004944</u>	Power supply PC Board- Solo hoist	400V / 24V CI/PC BOARD	1
1	<u>VT0004942</u>	Power supply PC Board- Solo hoist	400V / 48V CI/PC BOARD	1
1	<u>VT0005312</u>	Power supply PC Board- Solo hoist	400V / 110V CI/PC BOARD	1
1	<u>VT0005313</u>	Power supply PC Board- Solo hoist	400V / 230V CI/PC BOARD	1
1	<u>VT0006432</u>	Power supply PC Board- Solo hoist	460V / 48V CI/PC BOARD	1
1	<u>VT0006433</u>	Power supply PC Board- Solo hoist	460V / 110V CI/PC BOARD	1
1	<u>VT0006434</u>	Power supply PC Board- Solo hoist	500V / 48V CI/PC BOARD	1
1	<u>VT0006446</u>	Power supply PC Board- Solo hoist	500V / 110V CI/PC BOARD	1
1	<u>VT0006435</u>	Power supply PC Board- Solo hoist	575V / 48V CI/PC BOARD	1
1	<u>VT0006447</u>	Power supply PC Board- Solo hoist	575V / 110V CI/PC BOARD	1
2	<u>VT0005302</u>	Electrical board 2 speeds - 1 brake	230V-690V / 24V / 50 60Hz	1
2	<u>VT0004945</u>	Electrical board 2 speeds - 1 brake	230V-690V / 48V / 50 60Hz	1
2	<u>VT0005303</u>	Electrical board 2 speeds - 1 brake	230V-690V / 110V / 50 60Hz	1
2	<u>VT0005304</u>	Electrical board 2 speeds - 1 brake	230V-690V/ 230V / 50 60Hz	1
2	<u>VT0005305</u>	Electrical board 2 speeds - 2 brakes	230V-690V / 24V /50 60Hz	1
2	<u>VT0005306</u>	Electrical board 2 speeds - 2 brakes	230V-690V / 48V / 50 60Hz	1
2	<u>VT0005307</u>	Electrical board 2 speeds - 2 brakes	230V-690V / 50-60Hz	1
2	<u>VT0005308</u>	Electrical board 2 speeds - 2 brakes	230V-690V/ 230V / 50 60Hz	1
3	<u>VT0004946</u>	Rectifier - 1 brake	230V-690V	1
3	<u>VT0004947</u>	Rectifier - 2 brakes	230V-690V	1
4	<u>VT0004949</u>	Wire harness - Plug control voltage		1
5	<u>VT0004950</u>	Wire harness - Plug power voltage		1

6	<u>VT0006439</u>	Transformer	208V 230V / 115V	1
6	<u>VT0006325</u>	Transformer	230V / 48V	1
6	<u>VT0004952</u>	Transformer	400V / 24V	1
6	<u>VT0004953</u>	Transformer	400V / 48V - 50/60Hz	1
6	<u>VT0004951</u>	Transformer	400V / 115V - 50/60Hz	1
6	<u>VT0004954</u>	Transformer	400V / 230V	1
6	<u>VT0006437</u>	Transformer	460V / 48V	1
6	<u>VT0006440</u>	Transformer	460V / 110V 50/60Hz	1
6	<u>VT0006436</u>	Transformer	500V / 48V	1
6	<u>VT0006438</u>	Transformer	575V / 48V	1
6	<u>VT0008540</u>	Transformer	575V / 110V	1
7	<u>VT0004915</u>	Set of 10 fuses	48V	1
7	<u>VT0004955</u>	Set of 10 fuses	115V	1
7	<u>VT0008541</u>	Set of 10 fuses	230V	1
8	<u>VT0005107</u>	Connector	4P	1
9	<u>VT0005108</u>	Pendant connector	14P	1
10	<u>VT0006441</u>	Insulation plate		1
11	<u>VT0006191</u>	Fuses base		1
12	<u>VT0007798</u>	Power supply connector set Square	X22 Hoist side	1
13	<u>VT0007574</u>	Power supply connector set Rectangular	X22 Hoist side Only VR2	1
14	<u>VT0005090</u>	Cable gland set Square cable entry	Push buttons	1
15	<u>VT0007224</u>	Push button connector set	X23 Side hoist Movable push button only	1
16	<u>VT0006089</u>	End cap - Square cable entry		1
17	<u>VT0006971</u>	Kit connector - Trolley	X24 - Hoist side	1
18	<u>VT0007804</u>	Kit connector - Power supply	X22 - Side flat cable	1
19	<u>VT0007805</u>	Kit connector - Trolley	X24 - Side flat cable	1
20	<u>VT0007781</u>	Head shrinkable tube		1
21	<u>VT0007806</u>	Push button connector set	X23 Movable push button only	1
22	<u>VT0008135</u>	Crane cubicle connector set	X21 Hoist side	1
23	<u>VT0008551</u>	Set of connection GLS	FDC + GLS	1
24	<u>VT0008550</u>	GLS cable	Quantity : 2 for 2 or 4 for 4	1
-	<u>VT0006967</u>	Time counter		1

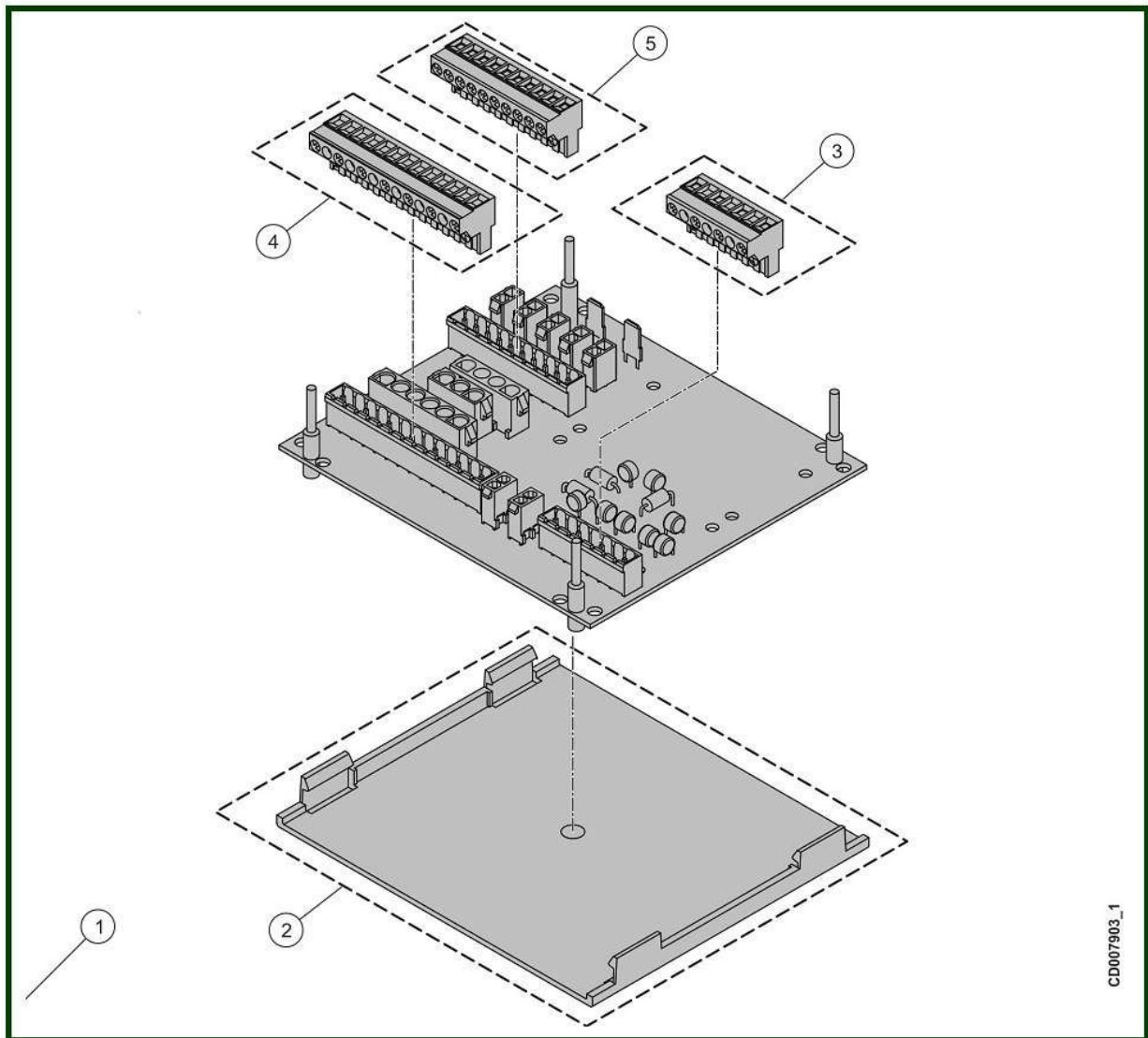
5.3. Equipment for crane kit - For UT+GTR+GTN



Equipment for crane kit - For UT+GTR+GTN

Item	Reference	Description	Observation	Quantity
1	<u>VT0004943</u>	Electrical power crane	230V-690V CI/PC BOARD	1
2	<u>VT0005302</u>	Electrical board 2 speeds- 1 brake	230V-690V / 24V / 50 60Hz	1
2	<u>VT0004945</u>	Electrical board 2 speeds- 1 brake	230V-690V / 48V / 50 60Hz	1
2	<u>VT0005303</u>	Electrical board 2 speeds- 1 brake	230V-690V / 110V / 50 60Hz	1
2	<u>VT0005304</u>	Electrical board 2 speeds- 1 brake	230V-690V / 230V / 50 60Hz	1
2	<u>VT0005305</u>	Electrical board 2 speeds- 2 brakes	230V-690V / 24V /50 60Hz	1
2	<u>VT0005306</u>	Electrical board 2 speeds- 2 brakes	230V-690V / 48V / 50 60Hz	1
2	<u>VT0005307</u>	Electrical board 2 speeds- 2 brakes	230V-690V / 50-60Hz	1
2	<u>VT0005308</u>	Electrical board 2 speeds- 2 brakes	230V-690V / 230V / 50 60Hz	1
3	<u>VT0004946</u>	Rectifier- 1 brake	230V-690V	1
3	<u>VT0004947</u>	Rectifier- 2 brakes	230V-690V	1
4	<u>VT0004949</u>	Wire harness - Plug control voltage		1
5	<u>VT0004950</u>	Wire harness - Plug power voltage		1
6	<u>VT0006393</u>	Cable gland set Square cable entry	CG M20- ISO 20 Trolley-Power supply	1
7	<u>VT0006441</u>	Insulation plate		1
8	<u>VT0005107</u>	Connector	4P	1
9	<u>VT0005108</u>	Pendant connector	14P	1
10	<u>VT0007782</u>	Cable gland set Rectangular cable entry	4G2.5MM2 Flat cable - Only VR2	1
11	<u>VT0007780</u>	Square flat cable connector set	8G1.5/4G2.5/4G6/4G10mm2	1
12	<u>VT0006089</u>	End cap - Square cable entry		1
13	<u>VT0007781</u>	Head shrinkable tube		1
14	<u>VT0006454</u>	Cable gland set flat cable Square cable entry	12G1.5/4G2.5/4G6mm2 - ISO 25	1
15	<u>VT0008551</u>	Set of connection GLS		1
16	<u>VT0008550</u>	GLS cable	Quantity : 2 for 2 or 4 for 4	1
-	<u>VT0006967</u>	Time counter		1

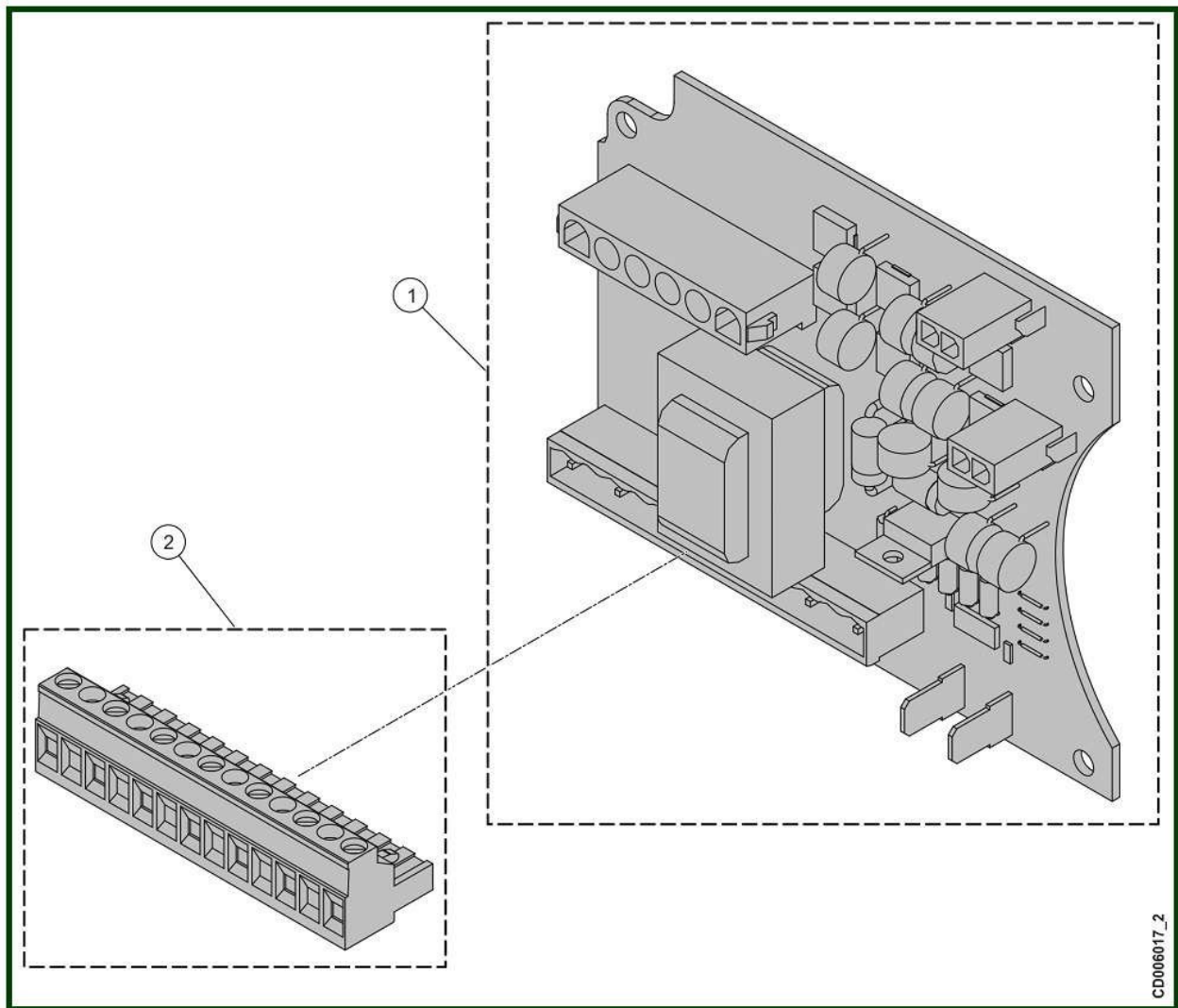
5.4. Without electric component



CD007903_1

Item	Reference	Description	Observation	Quantity
1	<u>VT0007656</u>	Electrical board	Without arrangement + Rectifier	1
2	<u>VT0006441</u>	Insulation plate		1
3	<u>VT0005107</u>	Connector	4P	1
4	<u>VT0006429</u>	Power connector	7P	1
5	<u>VT0009330</u>	Control connector	10P	1

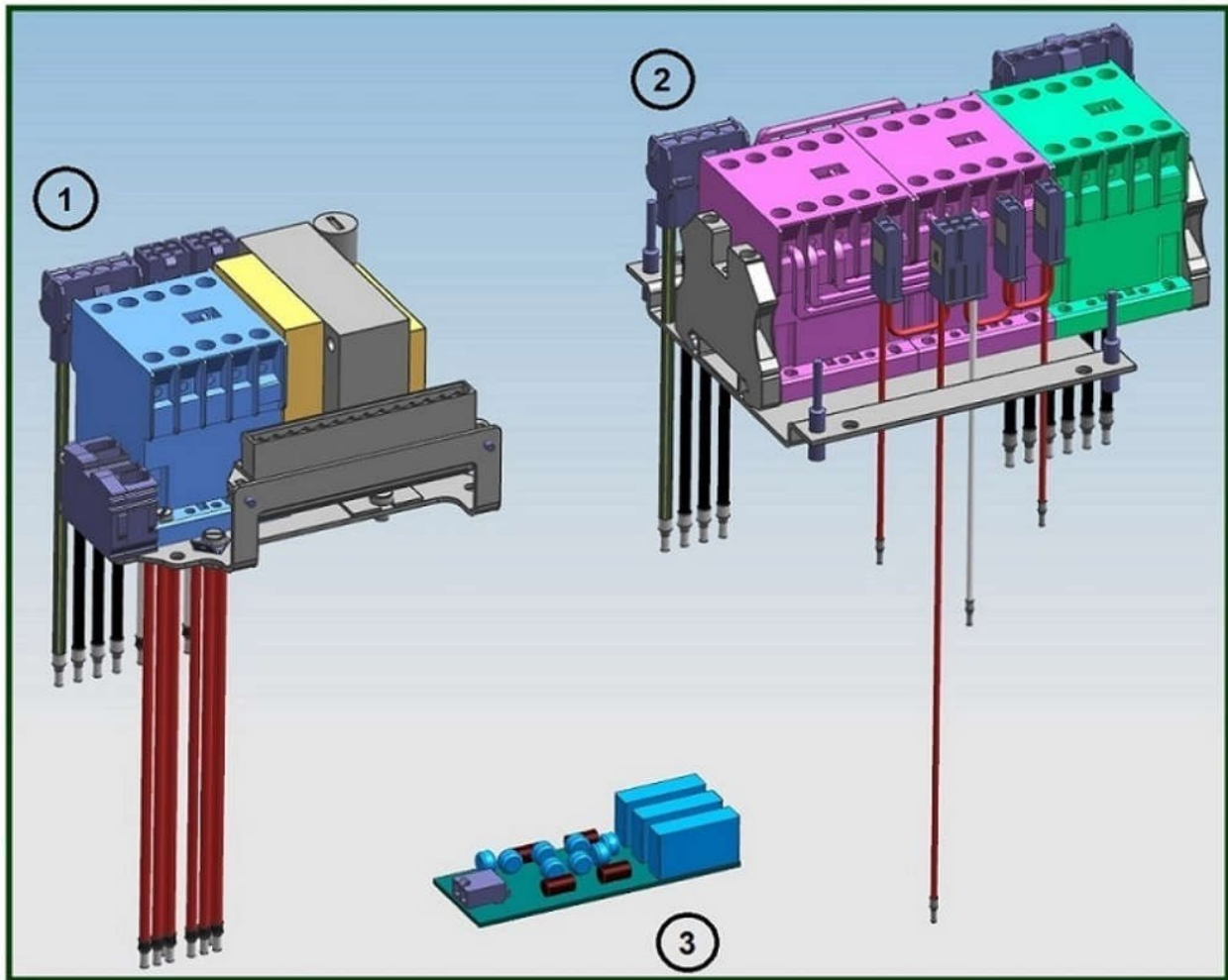
5.5. Direct voltage – ACF



Item	Reference	Description	Observation	Quantity
1	<u>VT0006428</u>	ACF card - 2 speeds		1
2	<u>VT0006429</u>	Power connector	7P	1

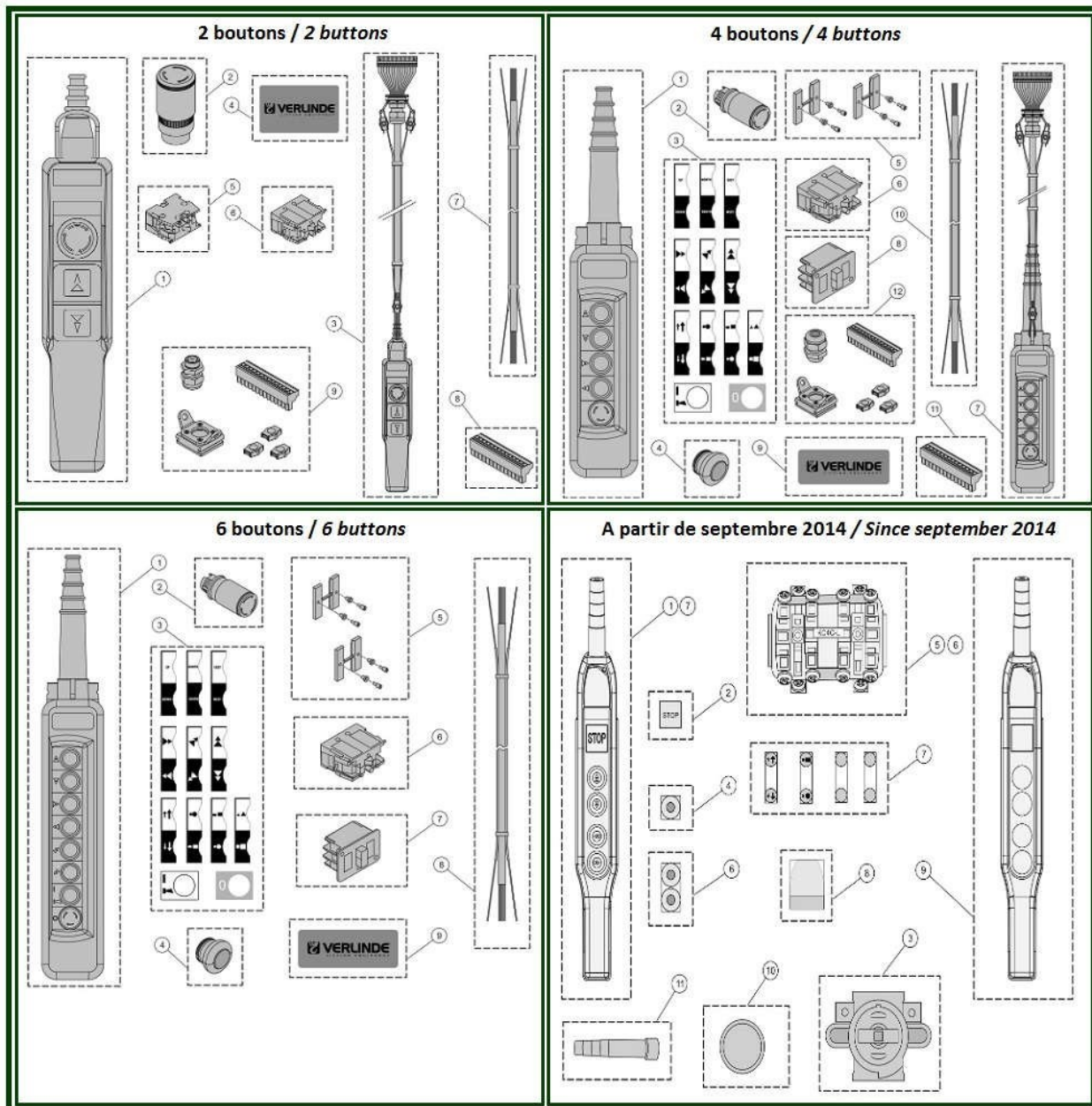
5.6. Solo hoist- Hard wiring

Option

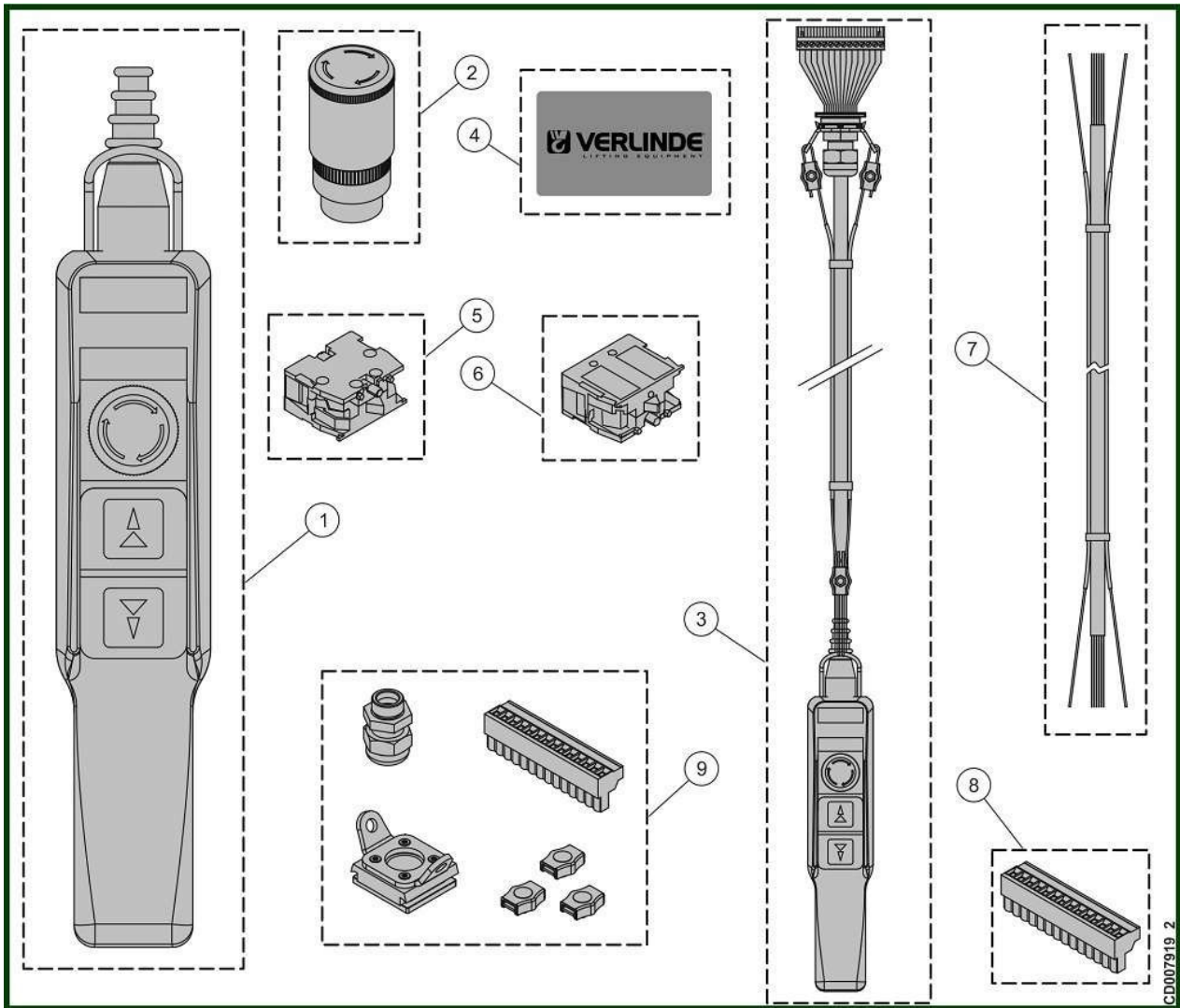


Item	Reference	Description	Observation	Quantity
1	VT0007058	Power supply PC Board - Solo hoist	400V-48V Hard wiring - Option	1
1	VT0007084	Power supply PC Board - Solo hoist	400V-110V Hard wiring - Option	1
1	VT0007086	Power supply PC Board - Solo hoist	460V-48V Hard wiring - Option	1
1	VT0007087	Power supply PC Board - Solo hoist	460V-110V Hard wiring - Option	1
2	VT0007057	Electrical board 2 Speeds - 1 brake	208V-575V /48V Hard wiring - Option	1
2	VT0007089	Electrical board 2 Speeds - 1 brake	208V-575V /110V-115V Hard wiring - Option	1
3	VT0008823	Rectifier	208V-575V	1

6. PUSH BUTTON CONTROLLER



6.1. 2 buttons

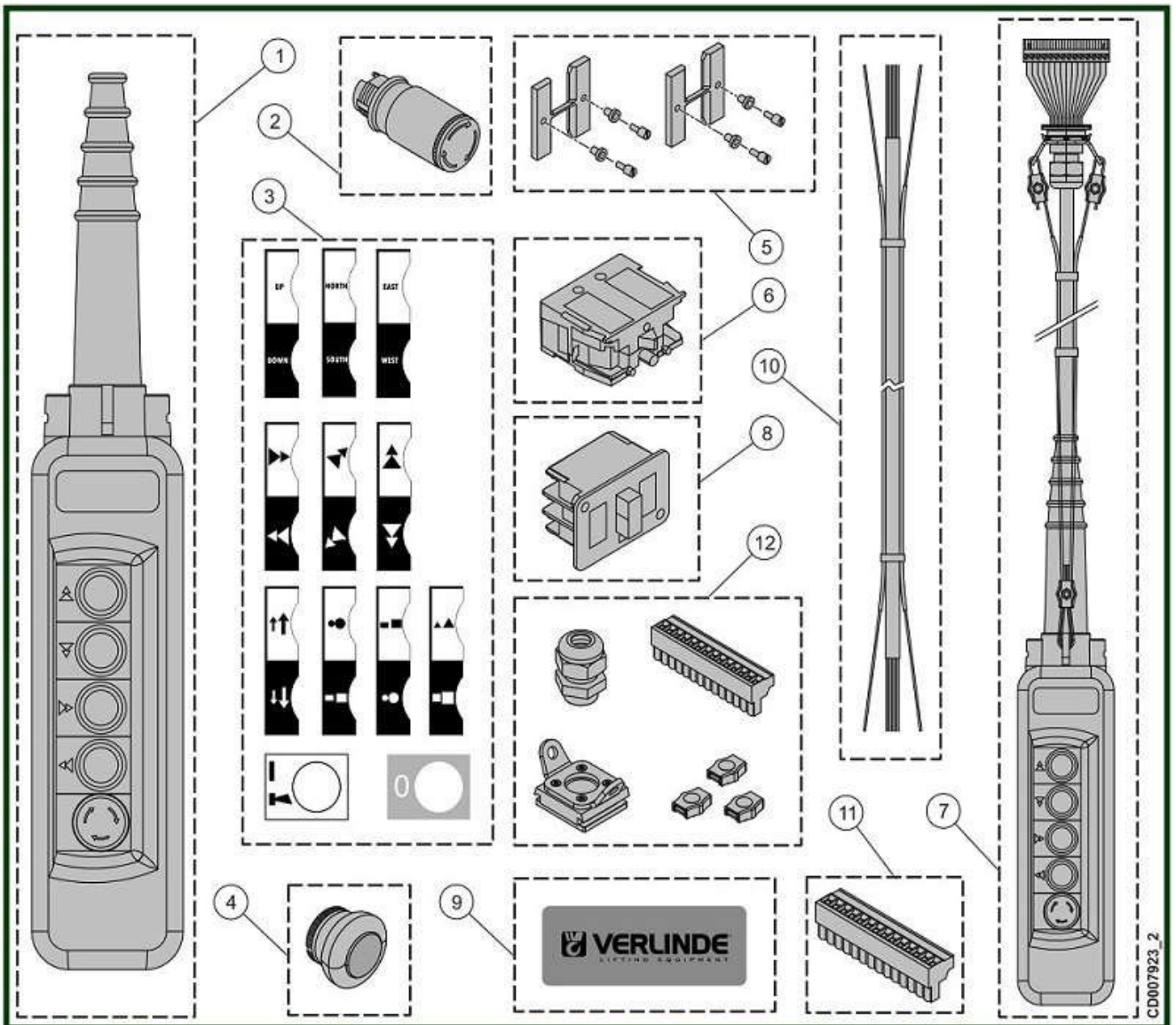


CD007919_2

2 Buttons

Item	Reference	Description	Observation	Quantity
1	<u>VT0005061</u>	6 buttons- 2HS+ES	Yellow	1
2	<u>VT0006547</u>	Emergency push button		1
3	<u>VT0005612</u>	Pendant with cable - 2HS+ES	2,2 m - Yellow - CE	1
3	<u>VT0005613</u>	Pendant with cable - 2HS+ES	2,7 m - Yellow - CE	1
3	<u>VT0005614</u>	Pendant with cable - 2HS+ES	3,2 m - Yellow - CE	1
3	<u>VT0005615</u>	Pendant with cable - 2HS+ES	3,7 m - Yellow - CE	1
3	<u>VT0005616</u>	Pendant with cable - 2HS+ES	4,2 m - Yellow - CE	1
3	<u>VT0005617</u>	Pendant with cable - 2HS+ES	4,7 m - Yellow - CE	1
3	<u>VT0005618</u>	Pendant with cable - 2HS+ES	5,2 m - Yellow - CE	1
3	<u>VT0005619</u>	Pendant with cable - 2HS+ES	5,7 m - Yellow - CE	1
4	<u>VT0007837</u>	Sticker of brand	VERLINDE	1
5	<u>VT0005064</u>	Contact block	Z B2-BE101	1
6	<u>VT0005066</u>	Contact block	Z B2-BE 102	1
6	<u>VT0015041</u>	Contact block	ZB2-BE201 "F" décalé	1
7	<u>VT0006746</u>	Cable	5x1,5 mm ² - CE	1
8	<u>VT0005108</u>	Control voltage connector	14P	1
9	<u>VT0007583</u>	Pendant plug set	ISO	1

6.2. 4 buttons

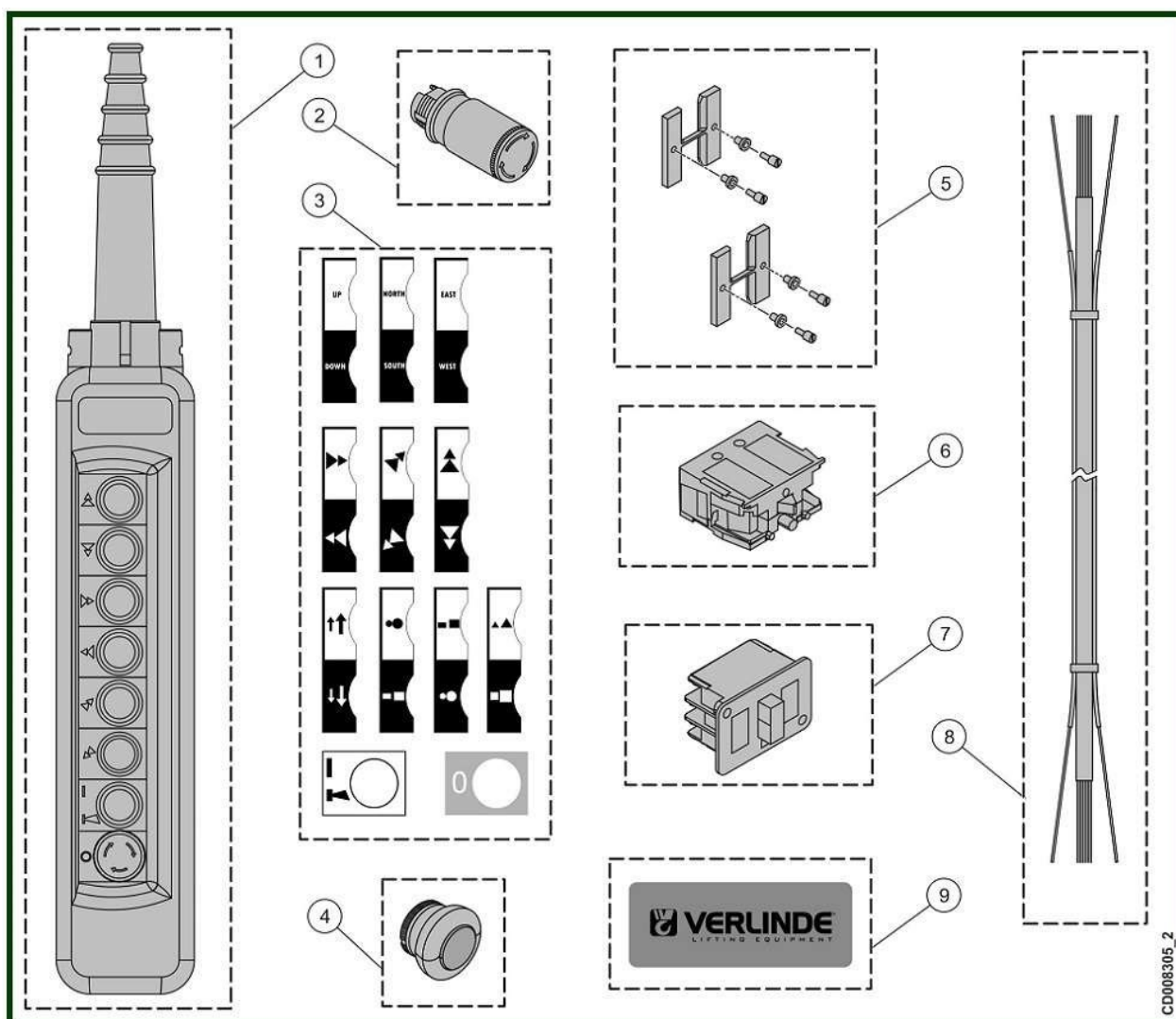


CD007923_2

4 buttons

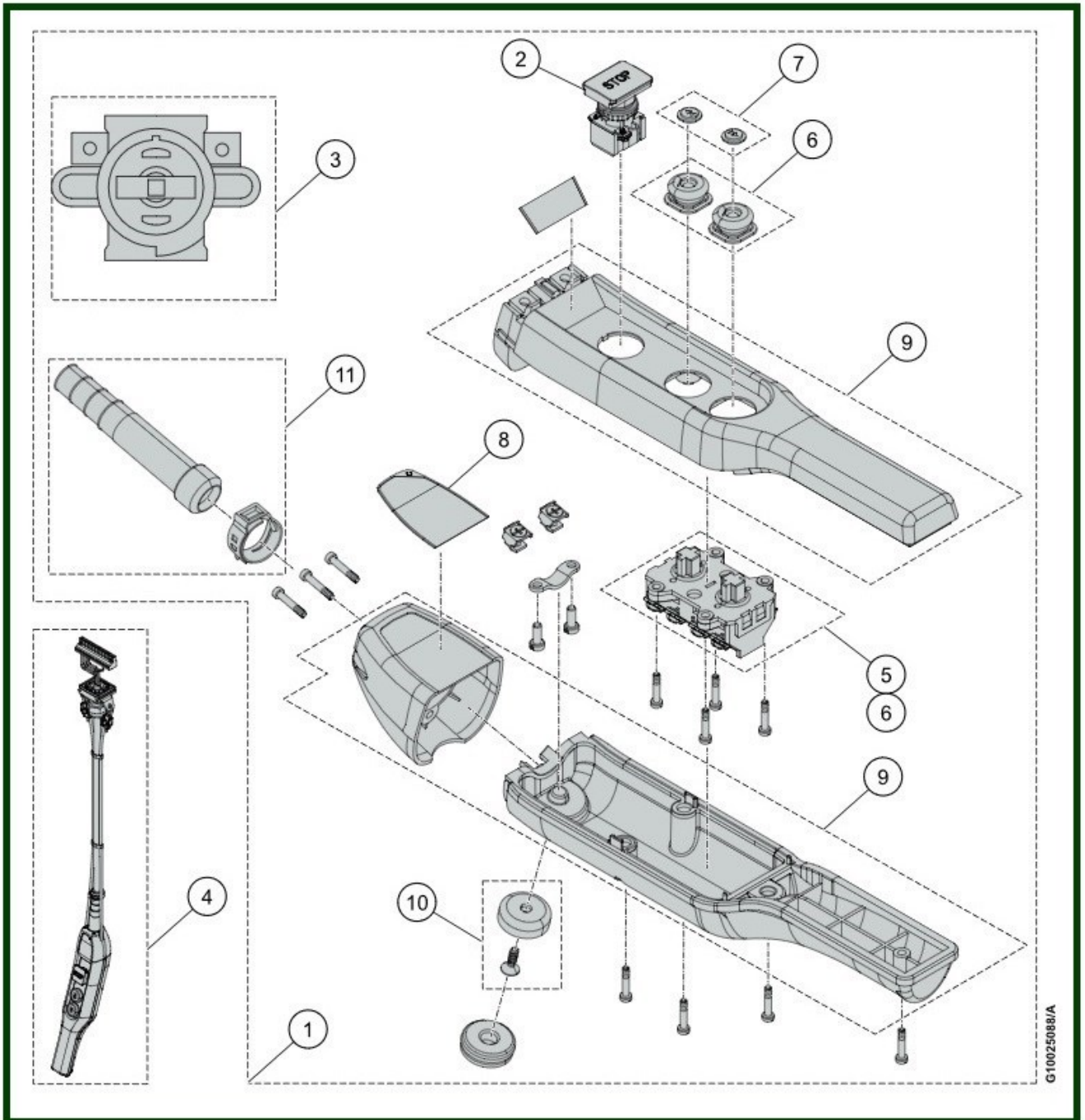
Item	Reference	Description	Observations	Quantity
1	<u>VT0005055</u>	6 buttons- 2HS+2TS+ES	Yellow	1
2	<u>VT0006548</u>	Emergency push button		1
3	<u>VT0007882</u>	Set of direction symbols		1
4	<u>VT0005063</u>	Push button		1
5	<u>VT0005072</u>	Mechanical interlock		2
6	<u>VT0005066</u>	Bloc contact	Z B2-BE 102	1
7	<u>VT0006056</u>	Pendant with cable - 2HS+2TS+ES	2,7 m - Yellow	1
7	<u>VT0006055</u>	Pendant with cable - 2HS+2TS+ES	2,2 m - Yellow	1
7	<u>VT0006057</u>	Pendant with cable - 2HS+2TS+ES	3,2 m - Yellow	1
7	<u>VT0006058</u>	Pendant with cable - 2HS+2TS+ES	3,7 m - Yellow	1
7	<u>VT0006060</u>	Pendant with cable - 2HS+2TS+ES	4,7 m - Yellow	1
7	<u>VT0006061</u>	Pendant with cable - 2HS+2TS+ES	5,2 m - Yellow	1
7	<u>VT0006062</u>	Pendant with cable - 2HS+2TS+ES	5,7 m - Yellow	1
8	<u>VT0007879</u>	Block contact	X ENG1191	1
9	<u>VT0007880</u>	Sticker of brand		1
10	<u>VT0006747</u>	Cable - 8x1,5mm ²	meter	1
11	<u>VT0005108</u>	Control voltage connector	14P	1
12	<u>VT0007583</u>	Pendant plug set	ISO	1

6.3. 6 buttons



Item	Reference	Description	Observations	Quantity
1	VT0005058	Pendant controller 2HS+2TS+2LS+ON-OFF	Yellow	1
2	VT0006548	Emergency push button		1
3	VT0007882	Set of direction symbols		1
4	VT0005063	Push button		1
5	VT0005072	Mechanical interlock		2
6	VT0005066	Bloc contact	Z B2-BE 102	1
7	VT0007879	Block contact	X ENG1191	1
8	VT0008073	Cable	16x1.52mm ² - meter	1
8	VT0008074	Cable	20x1.5mm ² - meter	1
9	VT0007880	Sticker of brand	VERLINDE	1
-	VT0005108	Control voltage connector	14P	1

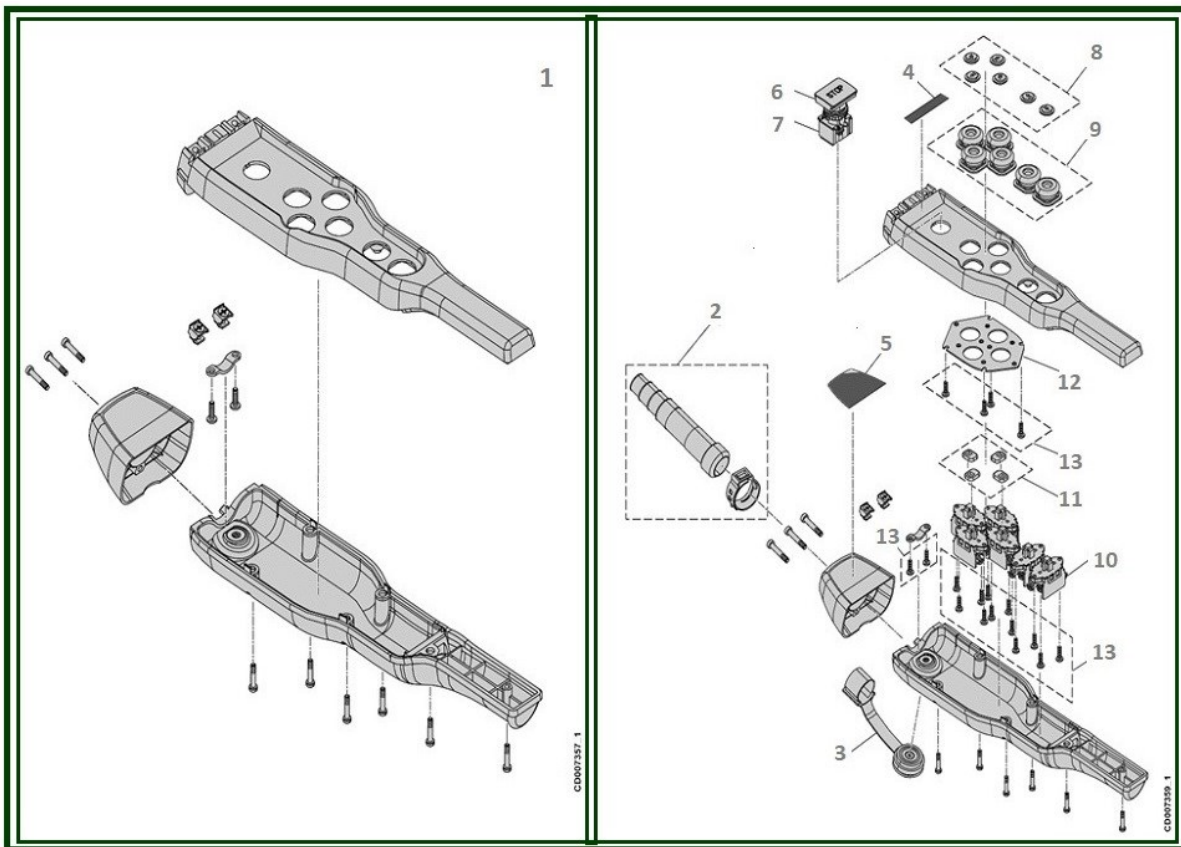
6.4. 2 and 4 buttons – From September 2014



2 and 4 buttons ERGOMOVE - From September 2014

Item	Reference	Description	Observation	Quantity
1	VT0006495	Push button - 2HS+2TS+ES	Yellow - 4 buttons	1
1	VT0006493	Push button - 2HS+ES	Yellow - 2 buttons	1
2	VT0006509	Emergency push button		1
3	VT0006510	Emergency stop contact block		1
4	VT0006511	Rubber push button		1
5	VT0006513	Contact block	2 steps	1
6	VT0006514	Set of 2 push buttons + contact block		1
7	VT0006754	Stickers - Direction symbols	ANSI	1
7	VT0006752	Stickers - Direction symbols	DIN	1
7	VT0006753	Stickers - Direction symbols	FIN-SEN	1
8	VT0006496	Sticker of brand	VERLINDE	1
9	VT0006515	Pendant controller	Yellow - 2 buttons	1
9	VT0006518	Pendant controller	Yellow - 4 buttons	1
10	VT0006517	Magnet		1
10	VT0006516	Rubber part		1
11	VT0014221	Cable bushing		1
12	VT0006958	Push buttons box + cable + plug - 2 HS+ES	2,20 m - Yellow - DIN	1
12	VT0006951	Push buttons box + cable + plug - 2 HS+ES	2,70 m - Yellow - DIN	1
12	VT0006952	Push buttons box + cable + plug - 2 HS+ES	3,20 m - Yellow - DIN	1
12	VT0006953	Push buttons box + cable + plug - 2 HS+ES	3,70 m - Yellow - DIN	1
12	VT0006954	Push buttons box + cable + plug - 2 HS+ES	4,20 m - Yellow - DIN	1
12	VT0006955	Push buttons box + cable + plug - 2 HS+ES	4,70 m - Yellow - DIN	1
12	VT0006956	Push buttons box + cable + plug - 2 HS+ES	5,20 m - Yellow - DIN	1
12	VT0006957	Push buttons box + cable + plug - 2 HS+ES	5,70 m - Yellow - DIN	1
13	VT0006959	Push buttons box + cable + plug - 2 HS+2TS+ES	2,20 m - Yellow - DIN	1
13	VT0006966	Push buttons box + cable + plug - 2 HS+2TS+ES	2,70 m - Yellow - DIN	1
13	VT0006960	Push buttons box + cable + plug - 2 HS+2TS+ES	3,20 m - Yellow - DIN	1
13	VT0006961	Push buttons box + cable + plug - 2 HS+2TS+ES	3,70 m - Yellow - DIN	1
13	VT0006962	Push buttons box + cable + plug - 2 HS+2TS+ES	4,20 m - Yellow - DIN	1
13	VT0006963	Push buttons box + cable + plug - 2 HS+2TS+ES	4,70 m - Yellow - DIN	1
13	VT0006964	Push buttons box + cable + plug - 2 HS+2TS+ES	5,20 m - Yellow - DIN	1
13	VT0006965	Push buttons box + cable + plug - 2 HS+2TS+ES	5,70 m - Yellow - DIN	1

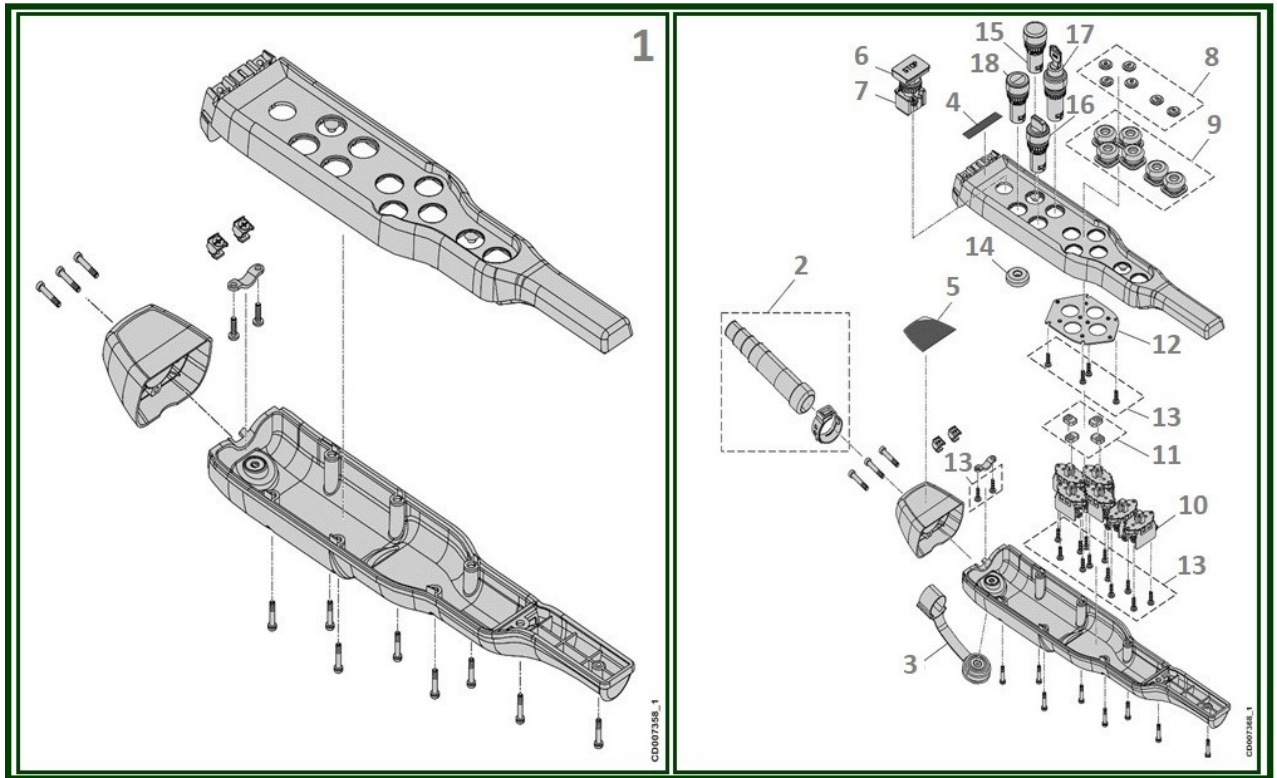
6.5. 6 Buttons – ERGOMOVE - From September 2014



6 buttons ERGOMOVE -From September 2014

Item	Reference	Description	Observation	Quantity
1	<u>VT0007106</u>	Pendant controller body	Yellow	1
1	<u>VT0013522</u>	Pendant controller body	Pendant controller body	1
2	<u>VT0007149</u>	Cable bushing		1
3	<u>VT0010787</u>	Magnet		1
5	<u>VT0007148</u>	Sticker	Logo	1
6	<u>VT0010757</u>	Emergency stop button		1
7	<u>VT0010788</u>	Contact block		1
8	<u>VT0007147</u>	Stickers - Direction symbols	ANSI	1
8	<u>VT0007145</u>	Stickers - Direction symbols	DIN	1
8	<u>VT0007146</u>	Stickers - Direction symbols	FIN	1
9	<u>VT0007102</u>	Push button		1
10	<u>VT0013419</u>	Contact block	Crane and Trolley control (Foward/Backward and Right/Left) 2-step	1
10	<u>VT0007100</u>	Contact block	Hoisting control (Up and Down) 2-step	1
11	<u>VT0007101</u>	Push button		1
12	<u>VT0007103</u>	Shape plate		1
13	<u>VT0007150</u>	Screws set		1

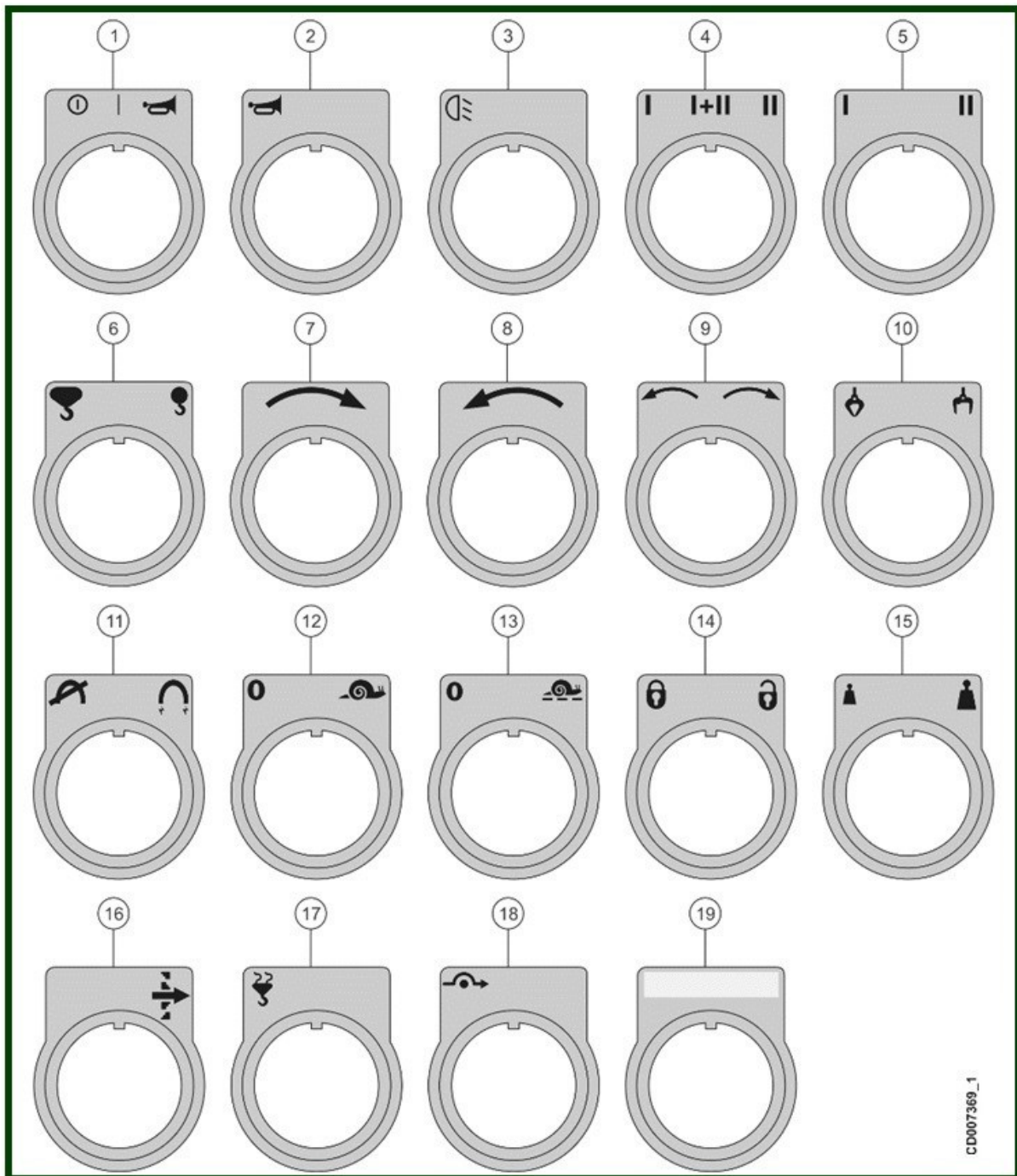
6.6. 10 Buttons – ERGOMOVE - From September 2014



10 buttons ERGOMOVE – From September 2014

Item	Reference	Description	Observation	Quantity
1	VT0007107	Pendant controller body	Yellow	1
1	VT0013416	Pendant controller body	Yellow	1
2	VT0007149	Cable bushing		1
3	VT0010787	Magnet		1
5	VT0007148	Sticker	Logo	1
6	VT0010757	Emergency stop button		1
7	VT0010788	Contact block		1
8	VT0007147	Stickers - Direction symbols	ANSI	1
8	VT0007145	Stickers - Direction symbols	DIN	1
8	VT0007146	Stickers - Direction symbols	FIN	1
9	VT0007102	Push button		1
10	VT0013419	Contact block – 2 steps	Crane and Trolley control (Foward/Backward and Right/Left)	4
10	VT0007100	Contact block – 2 steps	Hoisting control (Up and Down)	2
11	VT0007101	Push button		1
12	VT0007103	Shape plate		1
13	VT0007150	Screws set		1
14	VT0007109	Blanking plug		1
15	VT0007110	Push button		1
16	VT0010760	Selector without spring return to center	Switch 1-0-2	1
16	VT0010797	Selector switch	Switch 0-1	1
16	VT0007113	Selector switch	Switch 1-1+2-2	1
16	VT0007114	Selector switch	Switch 1-2	1
16	VT0010796	Selector switch with spring return to center	Switch 1-0-2	1
17	VT0010798	Position Key Selector	Switch 0-1	1
18	VT0010791	Pilot lamp 115 – Green		1
18	VT0010792	Pilot lamp 115V - Red		1
18	VT0010793	Pilot lamp 115V – Yellow		1
18	VT0010794	Pilot lamp 230V - Green		1
18	VT0010759	Pilot lamp 230V - Red		1
18	VT0010795	Pilot lamp 230V - Yellow		1
18	VT0010789	Pilot lamp - 48V - Green		1
	VT0010758	Pilot lamp - 48V – Red		1
	VT0010790	Pilot lamp - 48V - Yellow		1

6.7. 10 Buttons – ERGOMOVE – Option pendant label

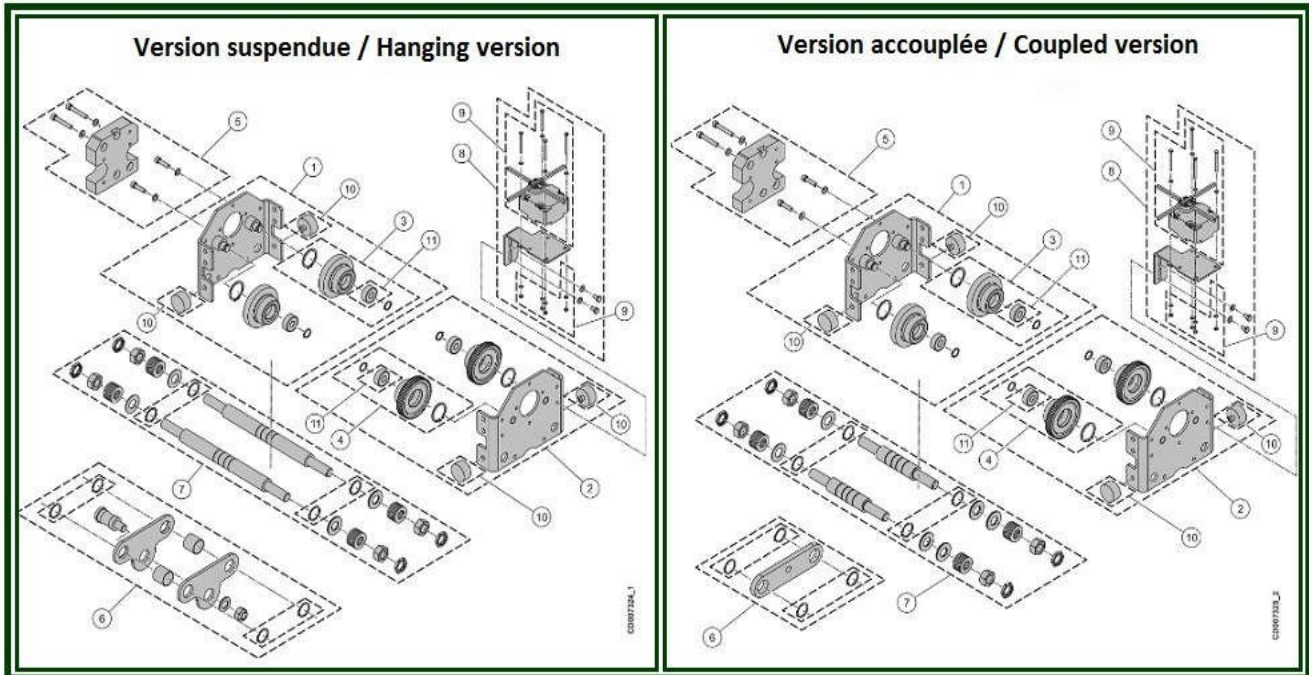


10 buttons ERGOMOVE – Option pendant label

Item	Reference	Description	Observation	Quantity
1	VT0007126	Pendant label - Start + Horn		1
2	VT0007127	Pendant label - Horn		1
3	VT0007128	Pendant label - Light		1
4	VT0007129	Pendant label - Hoist selector I,I+II, II		1
5	VT0007130	Pendant label - Hoist selector I, II		1
6	VT0007131	Pendant label - Hook selection		1
7	VT0007132	Pendant label - Rotate right		1
8	VT0007133	Pendant label - Rotate left		1
9	VT0007134	Pendant label - Rotate left / light		1
10	VT0007135	Pendant label - Close and open		1
11	VT0007136	Pendant label - Magnet OFF / On		1
12	VT0007137	Pendant label - Microspeed		1
13	VT0007138	Pendant label - Microspeed		1
14	VT0007139	Pendant label - Lock / unlock		1
15	VT0007140	Pendant label - Load limiter		1
16	VT0007141	Pendant label - Restricted area		1
17	VT0007142	Pendant label - Slack rope		1
18	VT0007143	Pendant label - Bypass		1
19	VT0007144	Blank pendant label		1

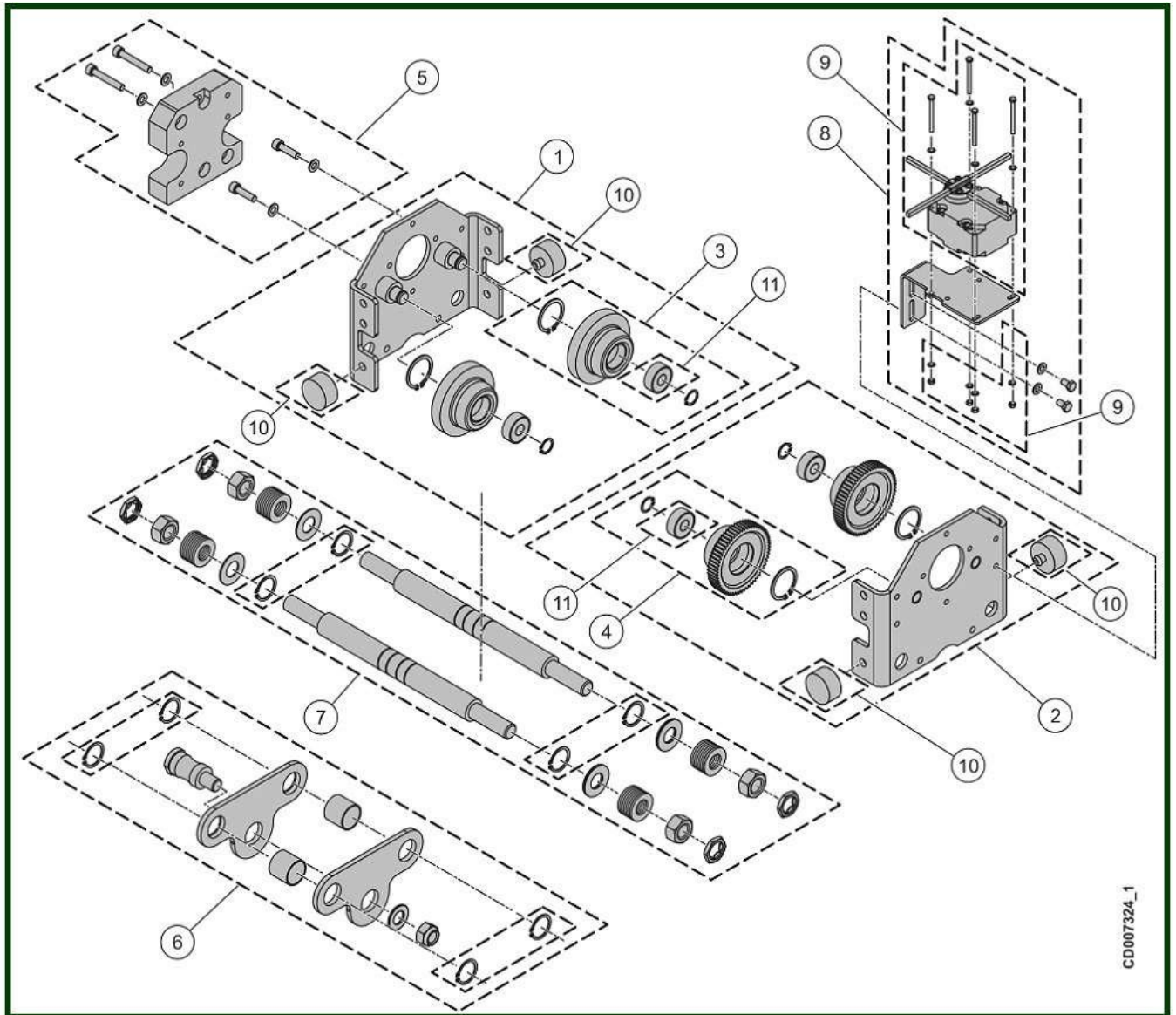
7. NORMAL HEADROOM TROLLEY

NHT



7.1. C1 trolley - 0 to 1000 kg – Hanging version

HNT



CD007324_1

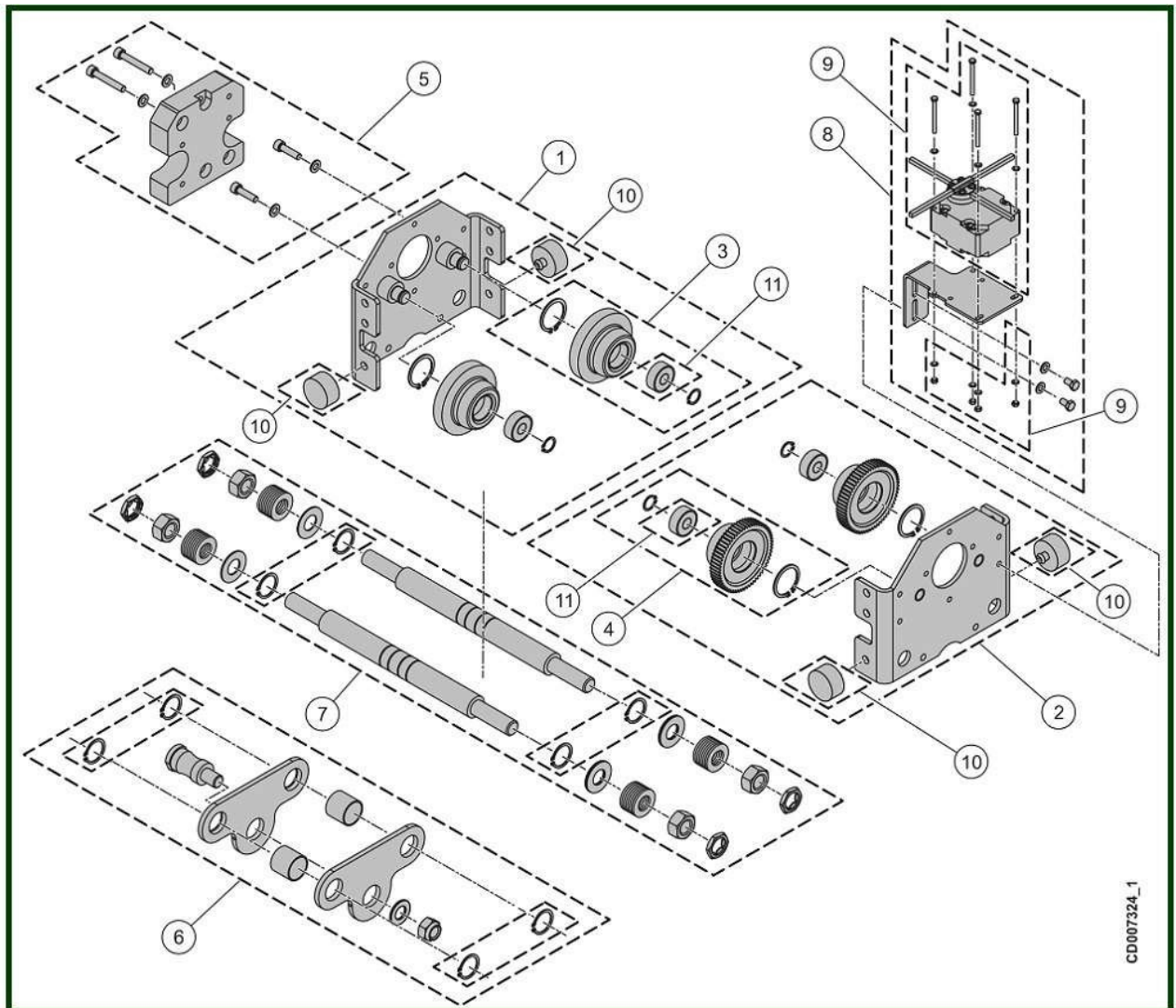
7.2. C1 trolley - 0 to 1000 kg – Hanging version

NHT

Item	Reference	Description	Observation	Quantity
1	<u>VT0007051</u>	Idler side plate assembly		1
2	<u>VT0007066</u>	Drive side plate assembly		1
3	<u>VT0007061</u>	Complete set of travel wheel without shaft		1
4	<u>VT0007063</u>	Set driving wheel without shaft	Ø 62 - 93 mm	1
5	<u>VT0007062</u>	Set of counterweight		1
6	<u>VT0007064</u>	Coupling part	Hanging version	1
7	<u>VT0007026</u>	Tie rod set beam- 55 à 100 mm	Monobloc tie road since 1999	1
7	<u>VT0007027</u>	Tie rod set beam- 106 à 150 mm	Monobloc tie road since 1999	1
7	<u>VT0007028</u>	Tie rod set beam- 155 à 200 mm	Monobloc tie road since 1999	1
7	<u>VT0007029</u>	Tie rod set beam- 206 à 248 mm	Monobloc tie road since 1999	1
7	<u>VT0007030</u>	Tie rod set beam- 260 à 307 mm	Monobloc tie road since 1999	1
7	<u>VT0007031</u>	Tie rod set beam- 308 à 310 mm	Monobloc tie road since 1999	1
8	<u>VT0007098</u>	Limit switch - 1 step		1
8	<u>VT0008775</u>	Limit switch - 2 steps		1
9	<u>VT0008776</u>	Travelling limit switch assembly 1 step		1
9	<u>VT0008777</u>	Travelling limit switch assembly 2 steps		1
10	<u>VT0009357</u>	Buffer	D40x20 - C1 to C5	1
11	<u>VT0007091</u>	Ball Bearing		1

7.3. C2 trolley - 1001 to 2000 kg – Hanging version

Only for voltage greater than 480V



CD007324_1

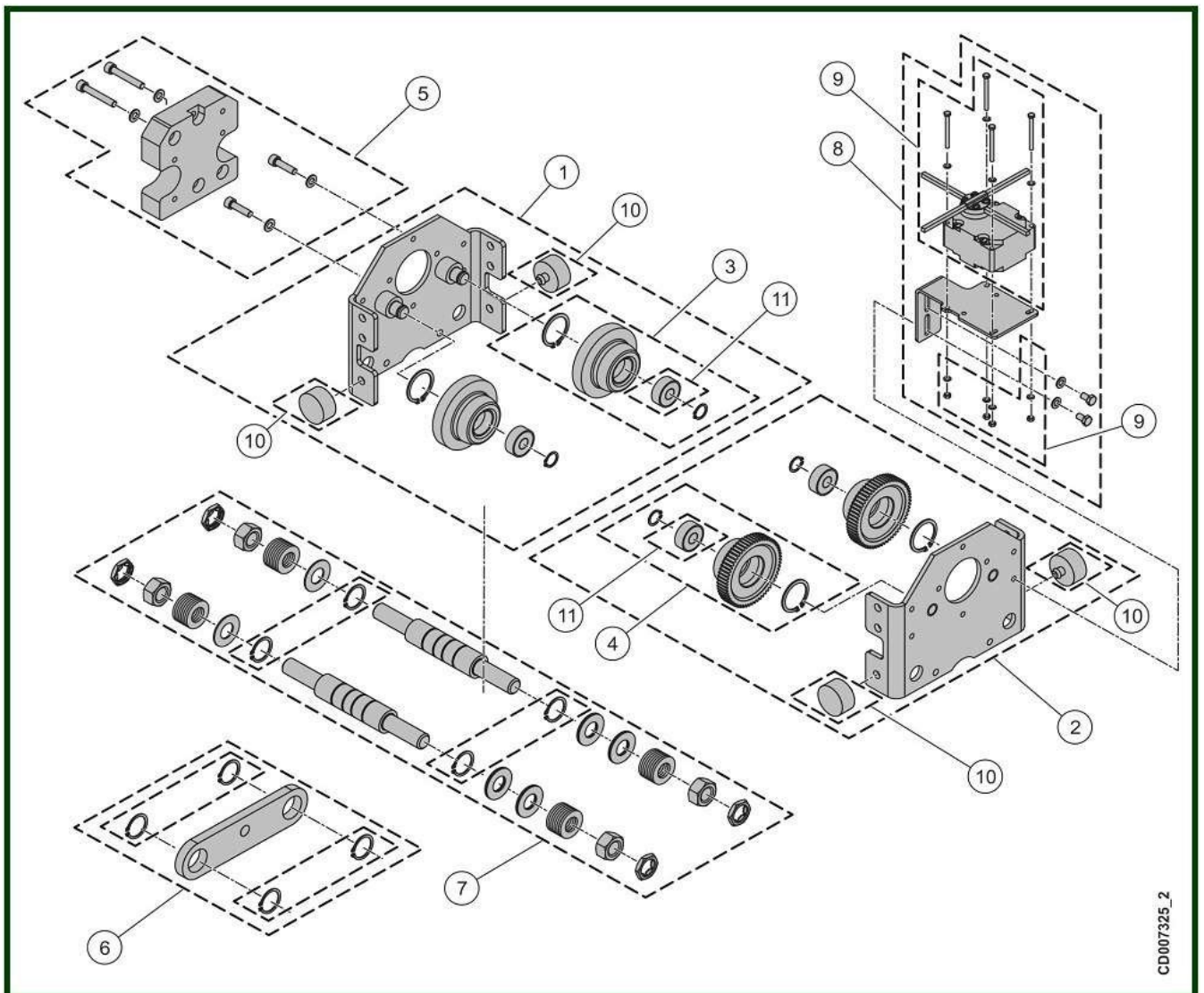
C2 trolley - 1001 to 2000 kg – Hanging version

Only for voltage greater than 480V

Item	Reference	Description	Observation	Quantity
1	<u>VT0007067</u>	Idler side plate assembly	C2	1
2	<u>VT0007068</u>	Drive side plate assembly	C2	1
3	<u>VT0007069</u>	Set of idler wheel without shaft	C2 - Ø 80x120 mm	1
4	<u>VT0008778</u>	Set of driving wheel without shaft	C2 - Ø 80x120 mm	1
5	<u>VT0008780</u>	Set of counterweight	C2	1
6	<u>VT0008779</u>	Coupling part	C2 - Hanging version	1
7	<u>VT0007036</u>	Tie rod set beam - 64 à 126 mm	C2 -Monobloc tie road since 1999	1
7	<u>VT0007037</u>	Tie rod set beam - 131 à 190 mm	C2 -Monobloc tie road since 1999	1
7	<u>VT0007038</u>	Tie rod set beam - 198 à 248 mm	C2 -Monobloc tie road since 1999	1
7	<u>VT0007039</u>	Tie rod set beam - 260 à 310 mm	C2 -Monobloc tie road since 1999	1
8	<u>VT0007098</u>	Limit switch - 1 step		1
8	<u>VT0008775</u>	Limit switch - 2 steps		1
9	<u>VT0008776</u>	Travelling limit switch assembly 1 step		1
9	<u>VT0008777</u>	Travelling limit switch assembly 2 steps		1
10	<u>VT0007088</u>	Rubber buffer	40X20 M10	1
11	<u>VT0008781</u>	Ball Bearing	C2	1

7.4. C2 trolley - 1001 to 2000 kg – Coupled version

Only for voltage greater than 480V



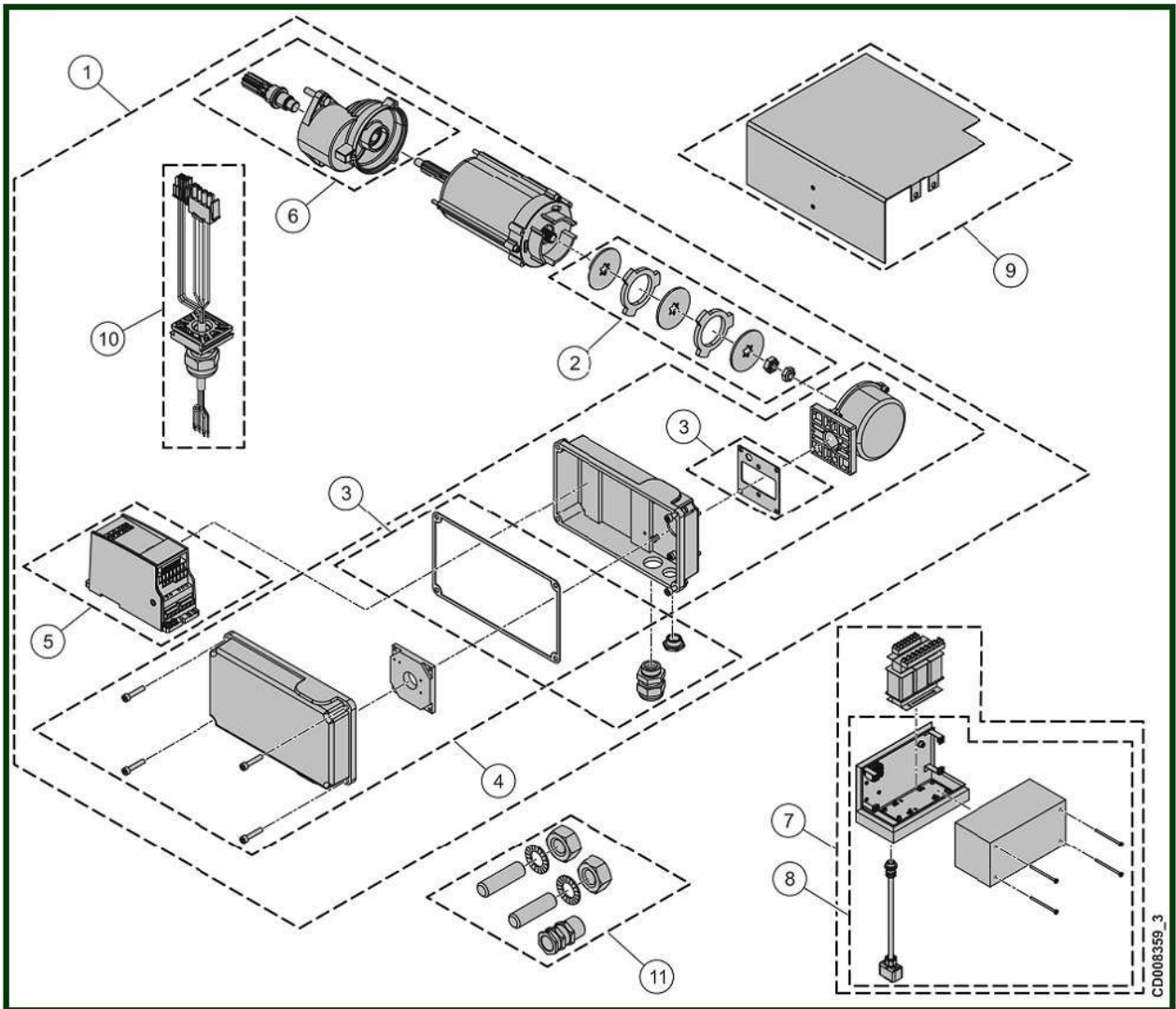
CD007325_2

C2 trolley - 1001 to 2000 kg – Coupled version

Only for voltage greater than 480V

Item	Reference	Description	Observation	Quantity
1	<u>VT0007067</u>	Idler side plate assembly	C2	1
2	<u>VT0007068</u>	Drive side plate assembly	C2	1
3	<u>VT0007069</u>	Set of idler wheel without shaft	C2 - Ø 80x120 mm	1
4	<u>VT0008778</u>	Set of driving wheel without shaft	C2 - Ø 80x120 mm	1
5	<u>VT0008780</u>	Set of counterweight	C2	1
6	<u>VT0007085</u>	Cross bar	Coupled version	1
7	<u>VT0007036</u>	Tie rod set beam- 64 à 126 mm	C2 - Monobloc tie road since 1999	1
7	<u>VT0007037</u>	Tie rod set beam- 131 à 190 mm	C2 - Monobloc tie road since 1999	1
7	<u>VT0007038</u>	Tie rod set beam- 198 à 248 mm	C2 - Monobloc tie road since 1999	1
7	<u>VT0007039</u>	Tie rod set beam- 260 à 310 mm	C2 - Monobloc tie road since 1999	1
8	<u>VT0007098</u>	Limit switch - 1 step		1
8	<u>VT0008775</u>	Limit switch - 2 steps		1
9	<u>VT0008776</u>	Travelling limit switch assembly 1 step		1
9	<u>VT0008777</u>	Travelling limit switch assembly 2 steps		1
10	<u>VT0007088</u>	Rubber buffer	40X20 M10	1
11	<u>VT0008781</u>	Ball Bearing	C2	1

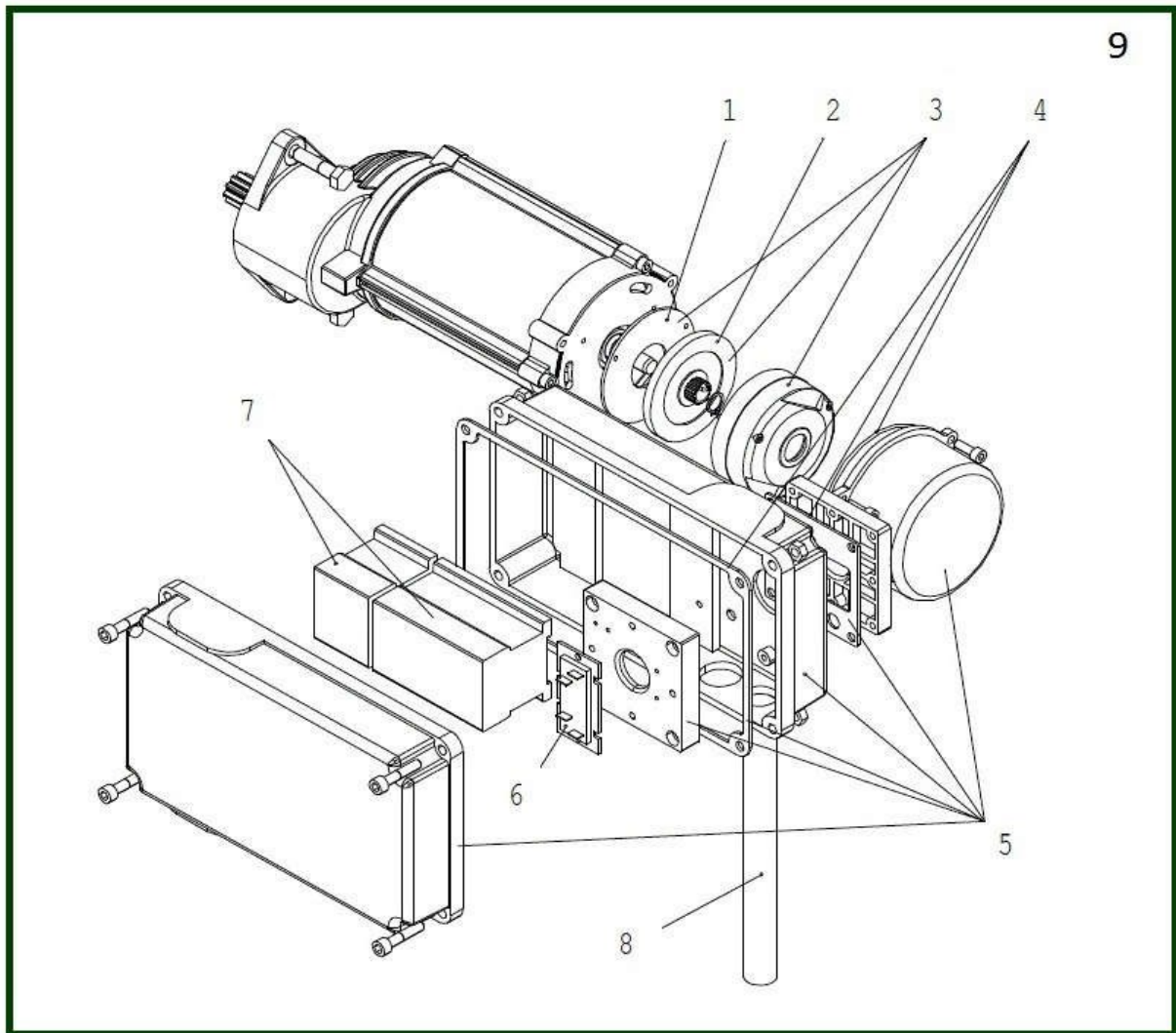
7.5. Inverter TMU motor



Inverter TMU motor

Item	Reference	Description	Observation	Quantity
1	<u>52890308</u>	Travelling machinery - TMU1	42-230V < 1000 Kg	1
1	<u>52890306</u>	Travelling machinery – TMU2	42-230V > 1000 Kg to 2000	1
2	<u>52296293</u>	Brake repair Set	M06-001V	1
3	<u>52300292</u>	Sealing set	M06-008V	1
4	<u>52907130</u>	Housing set	M06-022V	1
5	<u>52387783</u>	Inverter VT003 TMK003.380 460V/ ctrl 42 230V	Since January 2015 for motor already equipped of this inverter	1
6	<u>52297191</u>	Reducer	GEL105PT1B0	1
7	<u>52303806</u>	Control panel	T50E-TE07	1
8	<u>53050878</u>	Housing set	UKTM/ALTM-NEW	1
9	<u>52305058</u>	Rain cover	All models C1 to C5	1
10	<u>53110165</u>	Connection cable	TMU 1&2	1
11	<u>52908158</u>	Fixing set		1

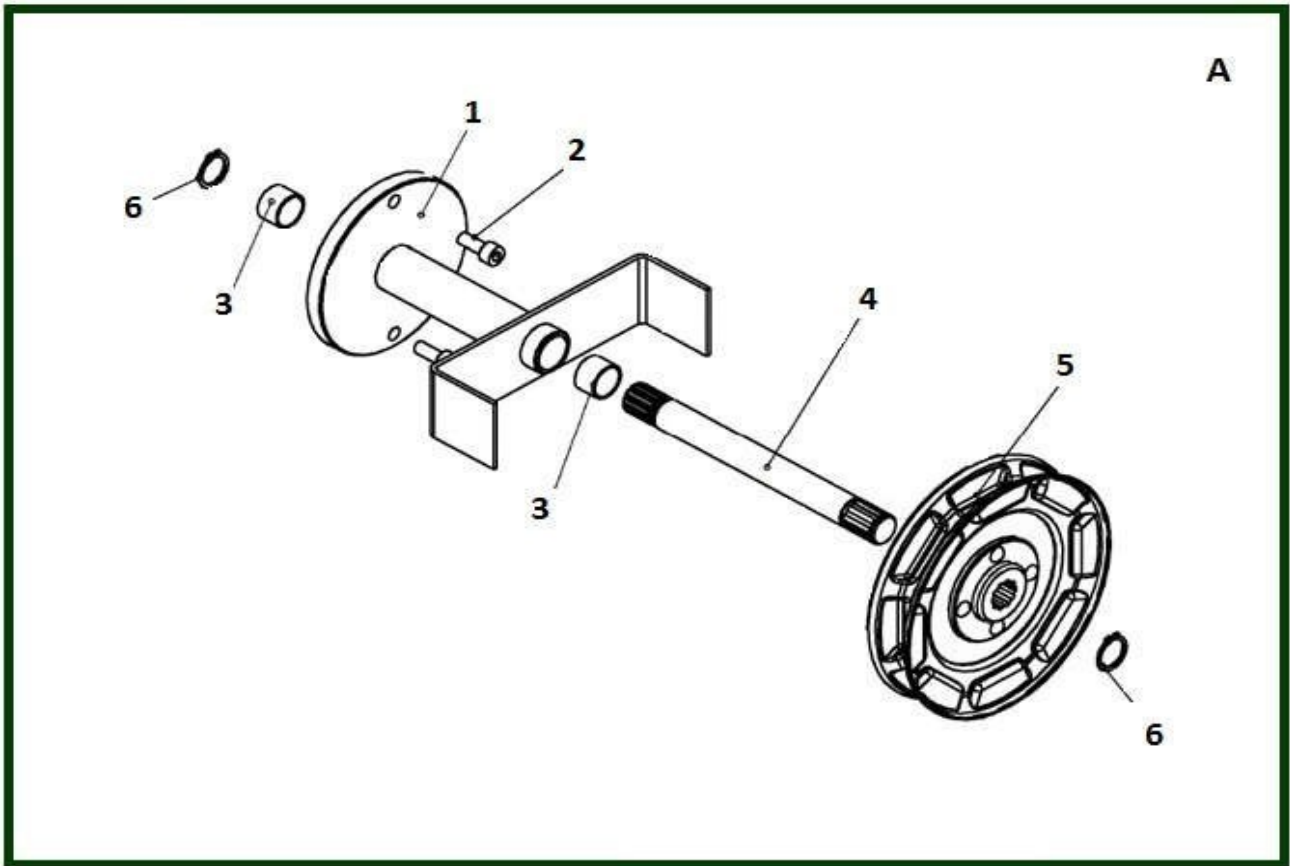
7.6. Two speeds TMU motor



Two speeds TMU motor

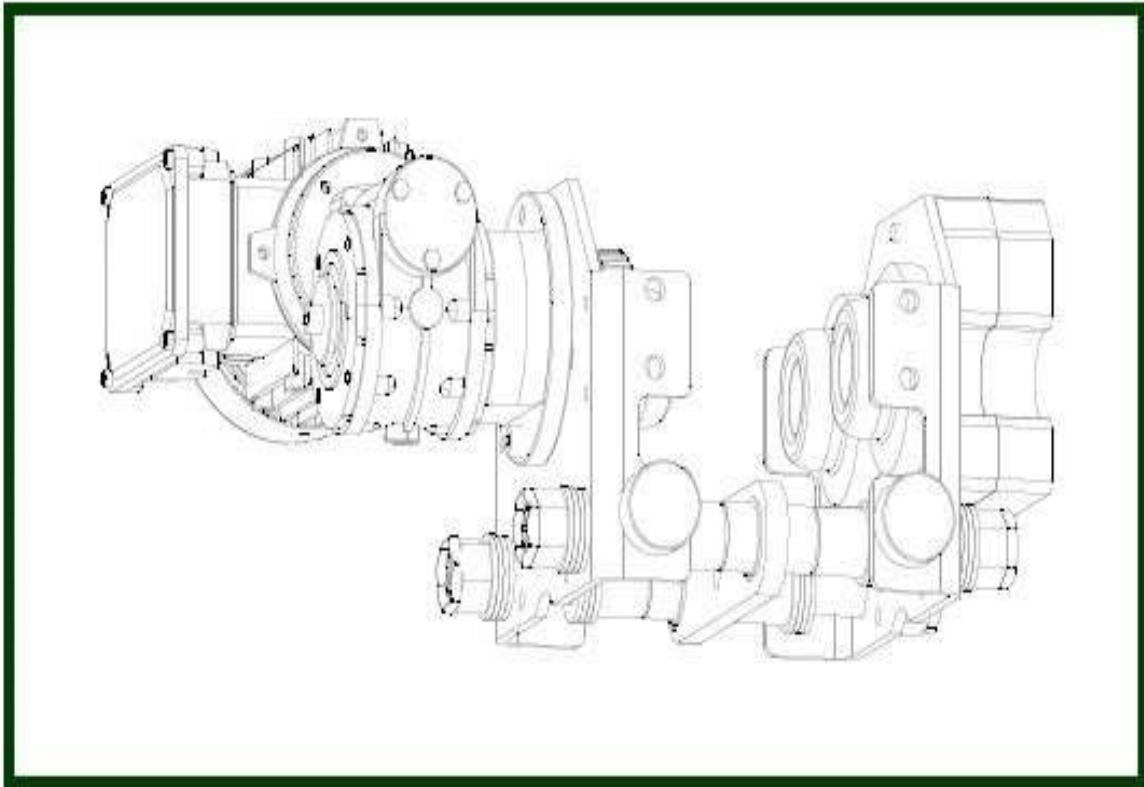
Item	Reference	Description	Observation	Quantity
1	<u>52269590</u>	Friction plate		1
2	<u>52269587</u>	Brake disc		1
3	<u>52318378</u>	Brake disc 180V	MF06MA104	1
3	<u>52318416</u>	Brake disc 240V	MF06MA104	1
3	<u>52318424</u>	Brake disc 290V	MF06MA104	1
4	<u>52300292</u>	Sealing set	M06-008V	1
5	<u>52300291</u>	Terminal box	M06-007V	1
6	<u>15823007</u>	Rectifier	Motor 220V	1
6	<u>15823006</u>	Rectifier	Motor 380 à 550V	1
7	<u>1123052</u>	Reversing contactor	110V	1
7	<u>1113097</u>	Reversing contactor	230V	1
7	<u>1113023</u>	Reversing contactor 400V/48V	LC2ECO9E (7531023V) Hoisting cross travelling	1
7	<u>1113098</u>	Main contactor KAU	230 V 50/60 Hz	1
7	<u>1113021</u>	Selector contactor	48V	1
7	<u>1123050</u>	Selector contactor	110V	1
8	<u>53243829</u>	Connection Cable	TMU 1&2	1
9	<u>52782175</u>	TMU motor 2 speeds	230V/48V 50 Hz	1
9	<u>52782173</u>	TMU motor 2 speeds	230V/115V 60 Hz - Standard	1
9	<u>52782176</u>	TMU motor 2 speeds	400V/48V 50 Hz	1
9	<u>52782171</u>	TMU motor 2 speeds	460V/115V 60 Hz - Standard	1
9	<u>52782177</u>	TMU motor 2 speeds	500V/48V 50 Hz	1
9	<u>52782172</u>	TMU motor 2 speeds	575V/115V 60 Hz - Standard	1
-	<u>52305058</u>	Rain cover	All models C1 to C5	1

7.7. Chain travel



Item	Reference	Description	Observation	Quantity
1	52306328	Support		1
2	830905	CHC Screw 8X20		1
3	993275	Bearing		1
4	52306329	CHM shaft		1
5	400953	Travelling hand wheel - \varnothing 165 mm	3,2T	1
6	400052	Circlips		1
	53020194	Galvanized hand chain - 5x27,1	9,8 meters	1
	820003	Galvanized hand chain - 5x27,1		1
A	52306332	Chain operated manual travelling	C1 to C5	1

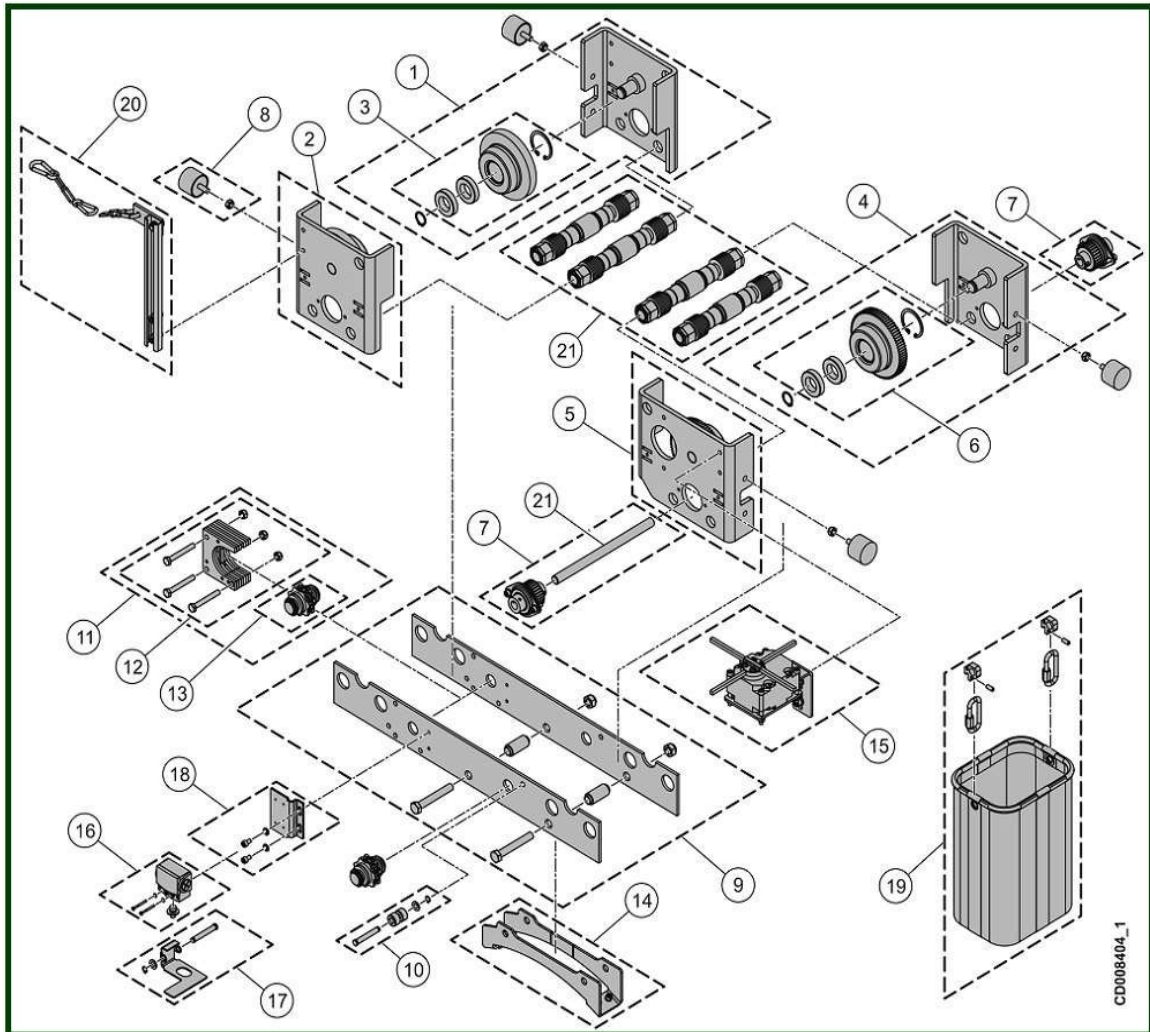
7.8. Right angle motor



Item	Reference	Description	Observation	Quantity
	551037	Cubicle		1
	2216904	Adaptation set for right angle travelling machinery	Pinion, flange, screws	1
	556972	Right angle travelling machinery	Speed 10 & 2.5m/min - For C1-C2-C3	1
	2133033	CI board	2CS - MAC	1

8. LOW HEADROOM TROLLEY

LHT



Low Headroom Trolley

LHT

Item	Reference	Description	Observation	Quantity
1	VT0008742	Idle flange		1
2	VT0008743	Idle flange	Motor side	1
3	VT0008961	Travel wheel idle without shaft		2
4	VT0008745	Motor flange		1
5	VT0008746	Motor flange	Motor side	1
6	VT0008963	Travel wheel without shaft		2
7	VT0008748	Gear wheel set - 66 à 112	L232	1
7	VT0008947	Gear wheel set - 113 à 154	L274	1
7	VT0008948	Gear wheel set - 155 à 199	L315	1
7	VT0008949	Gear wheel set - 200 à 259	L362	1
7	VT0008950	Gear wheel set - 260 à 300	L422	1
8	VT0008749	Buffer	D40L50	1
9	VT0008894	Plate set	LHT	1
10	VT0008895	Diabolo set	LHT - 5x14	1
11	VT0008752	Chain guide	5x14	1
12	VT0008753	Sprocket	5x14	1
13	VT0008754	Chain sprocket	5x14	1
14	VT0008755	Suspension		1
15	VT0008756	Limit switch	1 step	1
16	VT0008892	Limit switch assembly	LHT	1
17	VT0008891	Limit switch activator	LHT	1
18	VT0008893	Fixing set	LHT	1
19	VT0008760	Chain bucket	30 m for 7x20	1
20	VT0008761	Towing arm	L250	1
20	VT0008762	Towing arm	L450	1
21	VT0008951	Shaft set - 66 to 112	L232	1
21	VT0008952	Shaft set - 113 to 154	L274	1
21	VT0008953	Shaft set - 155 to 199	L315	1
21	VT0008954	Shaft set - 200 to 259	L362	1
21	VT0008955	Shaft set - 260 to 300	L422	1