

Spare parts catalog for « VR05 – Phase 2 » – ATEX Zone 22

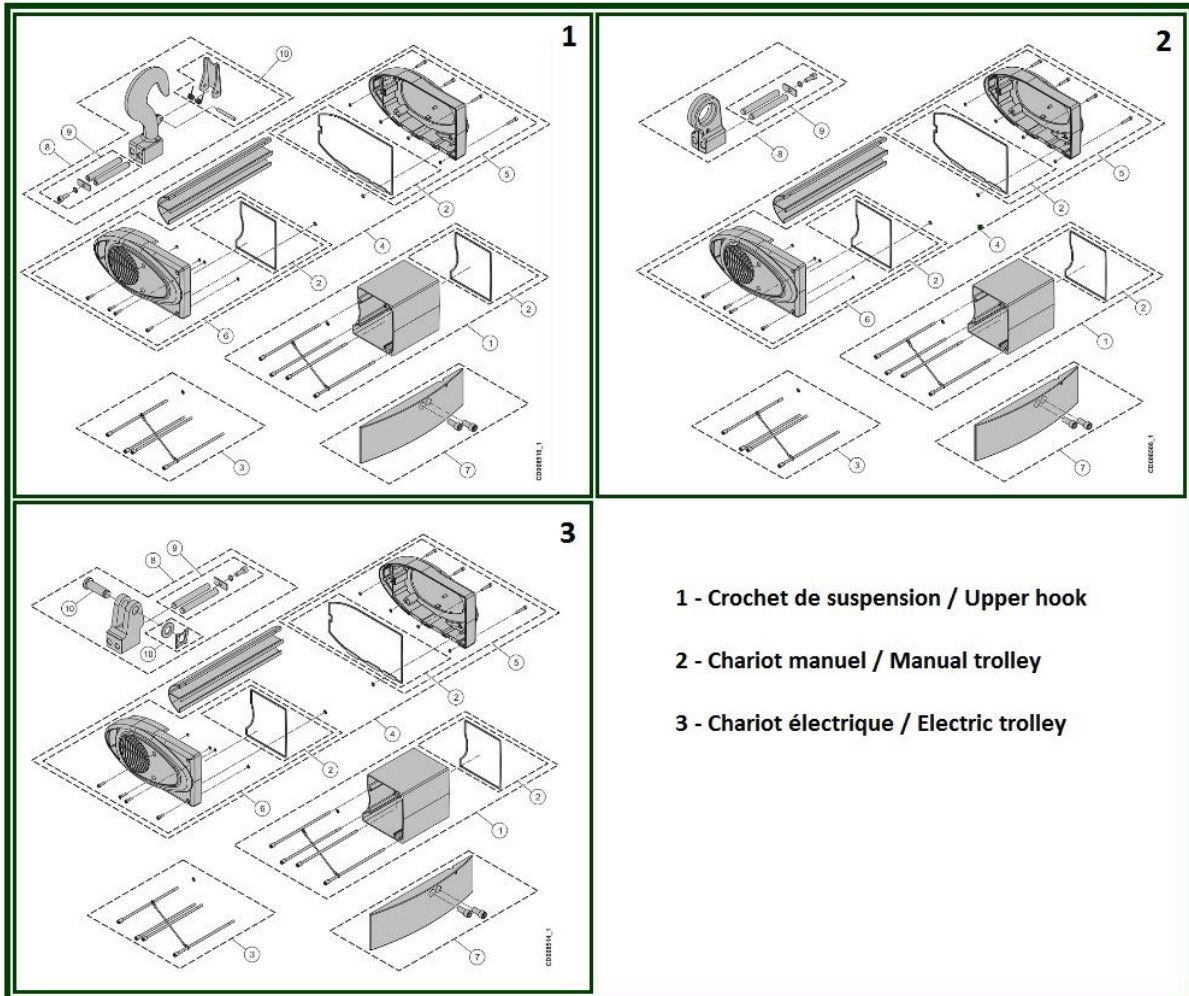
To avoid errors, when ordering please specify:

- Complete type of hoist
- Date of manufacture and serial number
- Spare part code
- Spare part designation
- Additional information

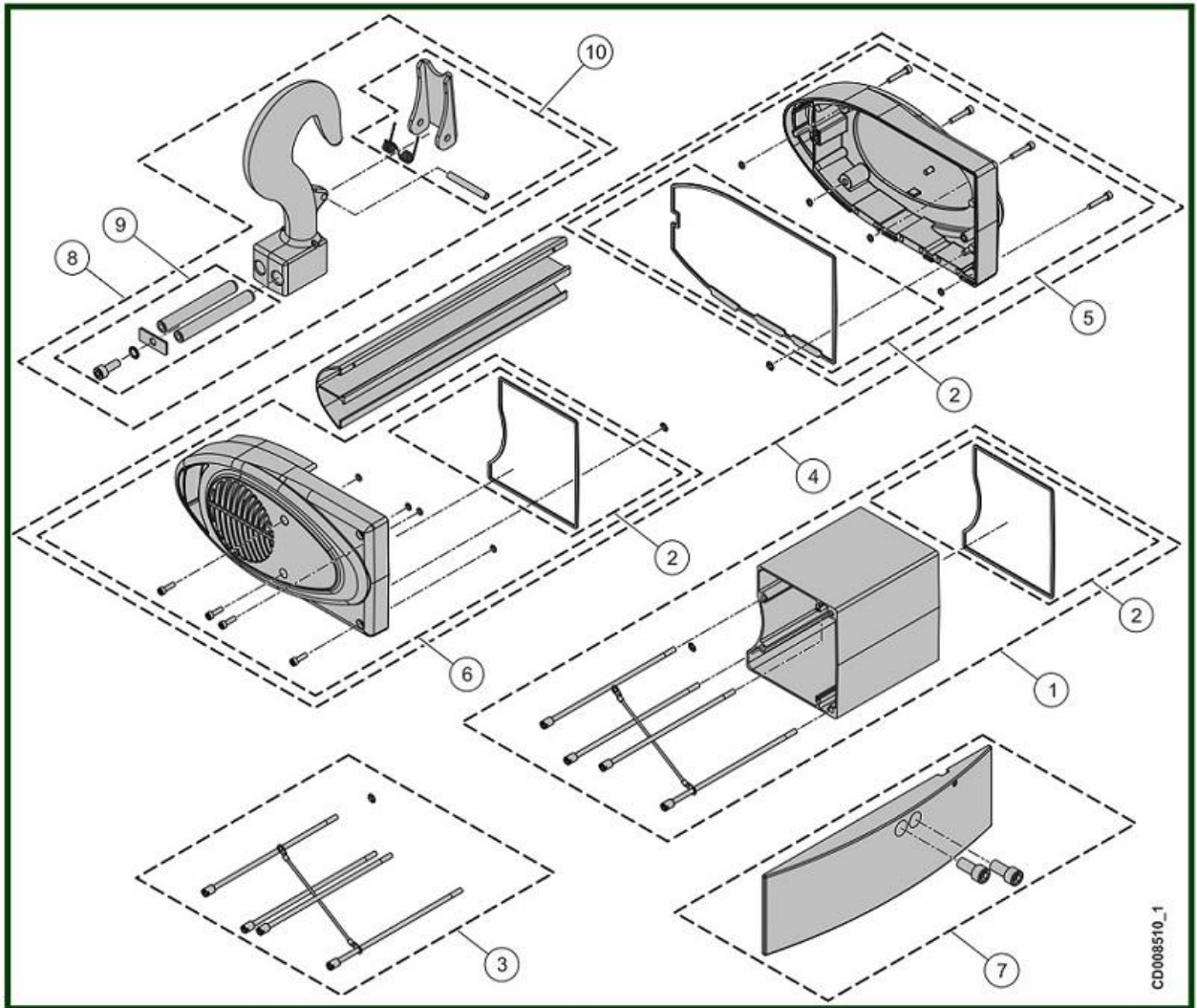


1.	FRAME.....	2
1.1.	Upper hook	3
1.2.	Manual trolley.....	5
1.3.	Electric trolley	7
2.	CHAIN GUIDE – Chain 4x11	9
2.1.	Standard & bronze coated hook - 1 fall	10
2.2.	Standard & bronze coated - 2 falls.....	12
3.	STANDARD GEAR.....	14
3.1.	Single brake – 8-10 m/min	15
3.2.	Single brake – 16-20 m/min	16
3.3.	Double brakes – 8-10 m/min	17
3.4.	Double brakes – 16-20 m/min	18
4.	MOTOR.....	19
4.1	Single brake.....	20
4.2	Doubles brakes.....	22
5.	ELECTRICALS PARTS.....	24
6.	PUSH BUTTON CONTROLLER	26
7.	NORMAL HEADROOM TROLLEY (NHT).....	27
7.1.	C1 trolley – 0 to 1000 Kg – Coupled version	27
7.2.	C2 trolley– 1001 to 2000 Kg – Coupled version	29
7.3.	TMU2 Motor – Two speeds	31
8.	MANUAL TROLLEY CHD	33

1. FRAME

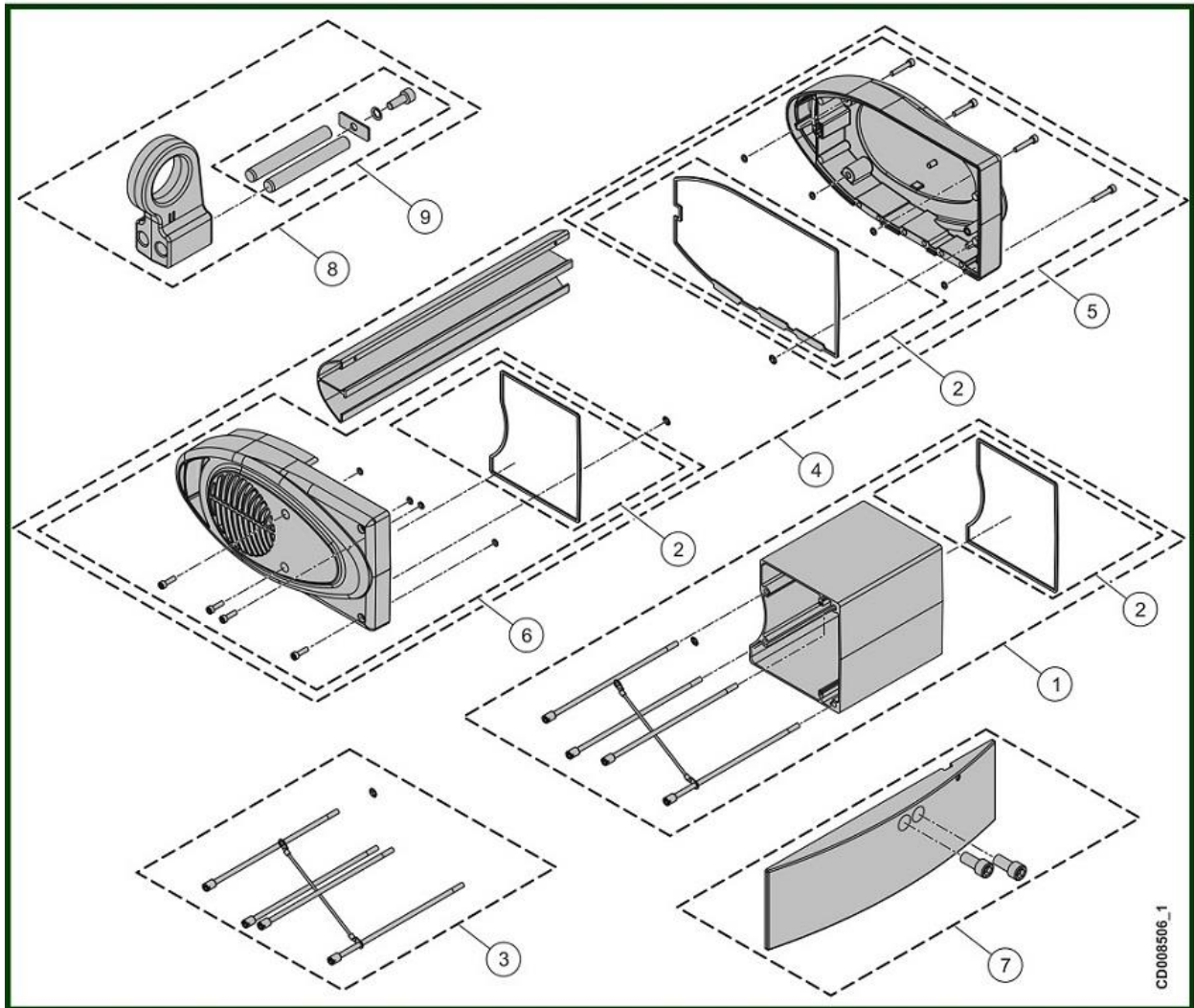


1.1. Upper hook



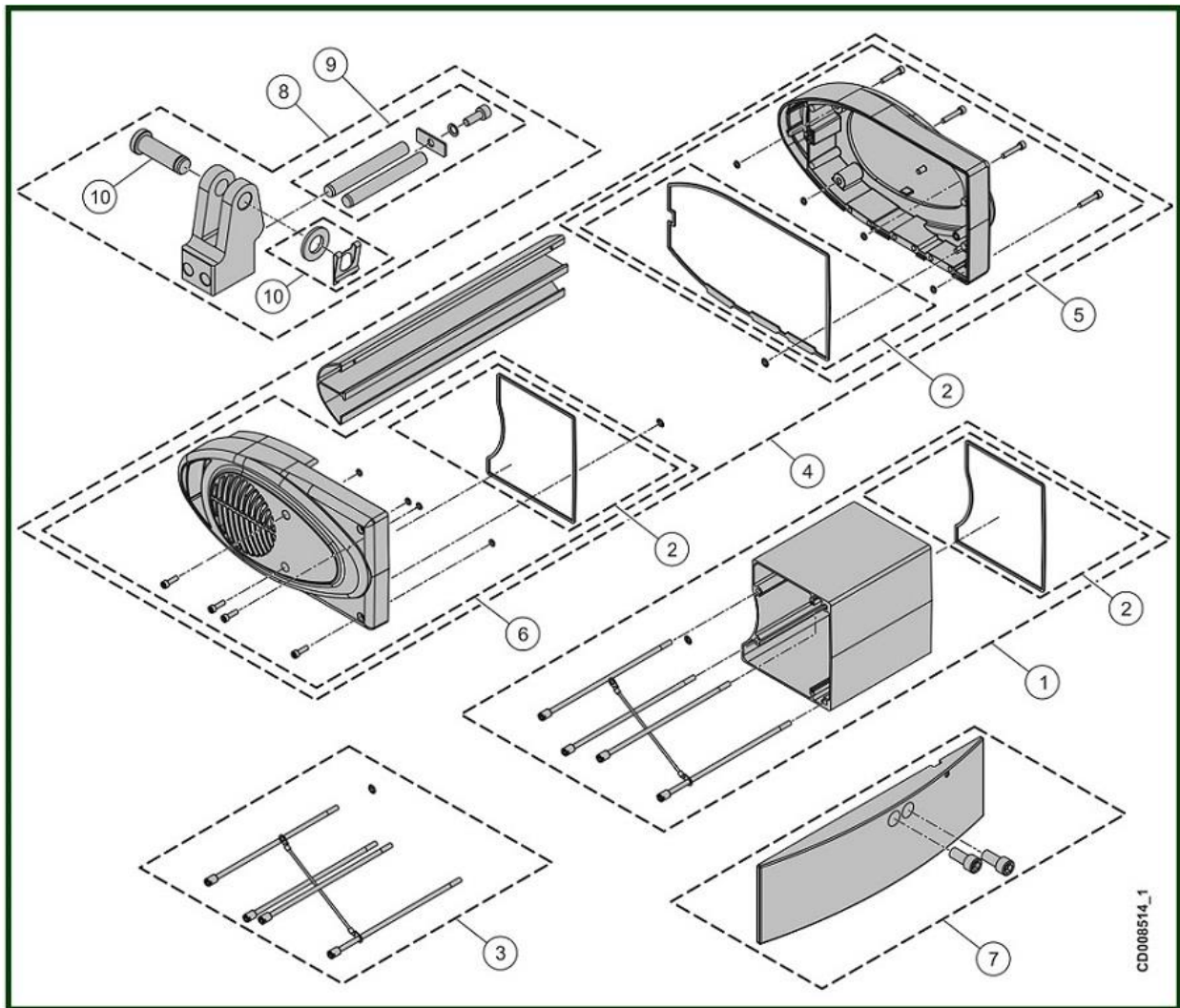
Item	Reference	Description	Observation	Quantity
1	VT0008398	Housing module	Standard	1
2	VT0009623	Sealings set		1
3	VT0006911	Screws set		1
4	VT0009656	Cover set - Standard	VERLINDE	1
5	VT0009657	Cover set – Brake side	Standard	1
6	VT0009658	Cover set – Motor side	Standard	1
7	VT0008403	Counterweight		1
8	VT0008404	Upper hook		1
9	VT0008405	Shaft set		1
10	VT0005903	Safety latch	Rotary hook - 1 fall	1
-	VT0006026	Identification plate	Serial number request	1
-	VT0009615	Sticker Verlinde		1
-	VT0009613	Sticker EX		1
-	VT0009589	Warning sticker	ES-WARN-WAIT15-S-FR / FRA	1
-	VT0009590	Warning sticker	ES-WARN-WAIT15-S-EN / ENG	1
-	VT0009591	Warning sticker	ES-WARN-WAIT15-S-DE / DEU	1
-	VT0009592	Warning sticker	ES-WARN-WAIT15-S-NL / DUT	1
-	VT0009593	Warning sticker	ES-WARN-WAIT15-S-ES / SPA	1
-	VT0009594	Warning sticker	ES-WARN-WAIT15-S-FI / FIN	1
-	VT0009595	Warning sticker	ES-WARN-WAIT15-S-IT / ITA	1
-	VT0009597	Warning sticker	ES-WARN-WAIT15-S-ZH / CHI	1
-	VT0009598	Warning sticker	ES-WARN-WAIT15-S-CZ / CZE	1
-	VT0009599	Warning sticker	ES-WARN-WAIT15-S-DA / DAN	1
-	VT0009601	Warning sticker	ES-WARN-WAIT15-S-ET / EST	1
-	VT0009602	Warning sticker	ES-WARN-WAIT15-S-HU / HUN	1
-	VT0009603	Warning sticker	ES-WARN-WAIT15-S-LT / LT	1
-	VT0009604	Warning sticker	ES-WARN-WAIT15-S-LV / LAV	1
-	VT0009605	Warning sticker	ES-WARN-WAIT15-S-NO / NOR	1
-	VT0009606	Warning sticker	ES-WARN-WAIT15-S-PO / POL	1
-	VT0009607	Warning sticker	ES-WARN-WAIT15-S-PT / POR	1
-	VT0009609	Warning sticker	ES-WARN-WAIT15-S-RU / RUS	1

1.2. Manual trolley



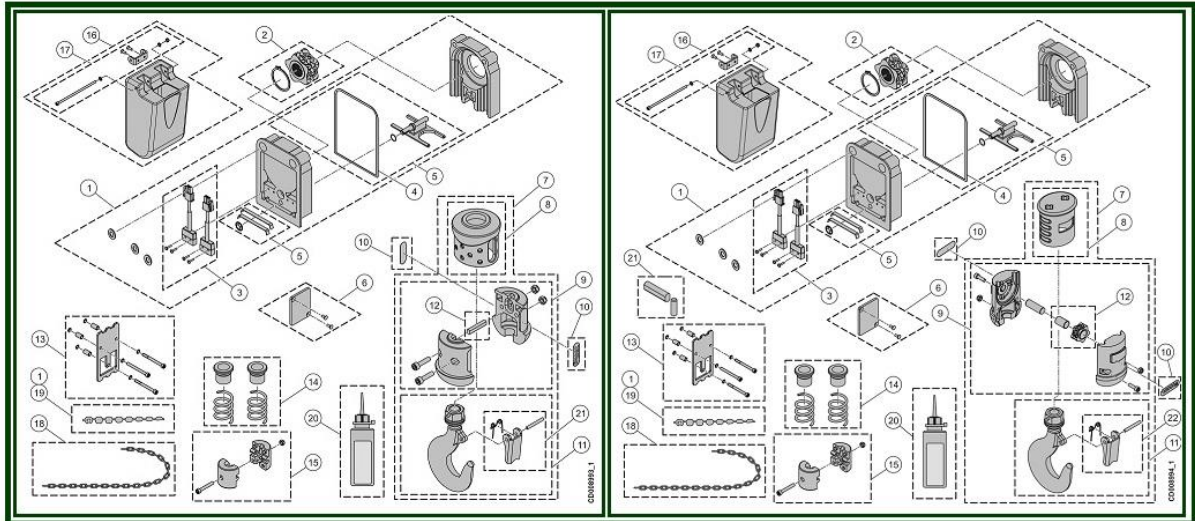
Item	Reference	Description	Observation	Quantity
1	VT0008398	Housing module	Standard	1
2	VT0009623	Sealings set		1
3	VT0006911	Screws set		1
4	VT0009656	Cover set - Standard	VERLINDE	1
5	VT0009657	Cover set - Brake side	Standard	1
6	VT0009658	Cover set - Motor side	Standard	1
7	VT0008403	Counterweight		1
8	VT0008765	Coupling perpendicular part	Manual trolley	1
8	VT0009699	Coupling parallel part	Manual trolley	1
9	VT0008405	Shaft set		1
-	VT0006026	Identification plate	Serial number request	1
-	VT0009615	Sticker Verlinde		1
-	VT0009613	Sitcker EX		1
-	VT0009589	Warning sticker	ES-WARN-WAIT15-S-FR / FRA	1
-	VT0009590	Warning sticker	ES-WARN-WAIT15-S-EN / ENG	1
-	VT0009591	Warning sticker	ES-WARN-WAIT15-S-DE / DEU	1
-	VT0009592	Warning sticker	ES-WARN-WAIT15-S-NL / DUT	1
-	VT0009593	Warning sticker	ES-WARN-WAIT15-S-ES / SPA	1
-	VT0009594	Warning sticker	ES-WARN-WAIT15-S-FI / FIN	1
-	VT0009595	Warning sticker	ES-WARN-WAIT15-S-IT / ITA	1
-	VT0009597	Warning sticker	ES-WARN-WAIT15-S-ZH / CHI	1
-	VT0009598	Warning sticker	ES-WARN-WAIT15-S-CZ / CZE	1
-	VT0009599	Warning sticker	ES-WARN-WAIT15-S-DA / DAN	1
-	VT0009601	Warning sticker	ES-WARN-WAIT15-S-ET / EST	1
-	VT0009602	Warning sticker	ES-WARN-WAIT15-S-HU / HUN	1
-	VT0009603	Warning sticker	ES-WARN-WAIT15-S-LT / LT	1
-	VT0009604	Warning sticker	ES-WARN-WAIT15-S-LV / LAV	1
-	VT0009605	Warning sticker	ES-WARN-WAIT15-S-NO / NOR	1
-	VT0009606	Warning sticker	ES-WARN-WAIT15-S-PO / POL	1
-	VT0009607	Warning sticker	ES-WARN-WAIT15-S-PT / POR	1
-	VT0009609	Warning sticker	ES-WARN-WAIT15-S-RU / RUS	1

1.3. Electric trolley

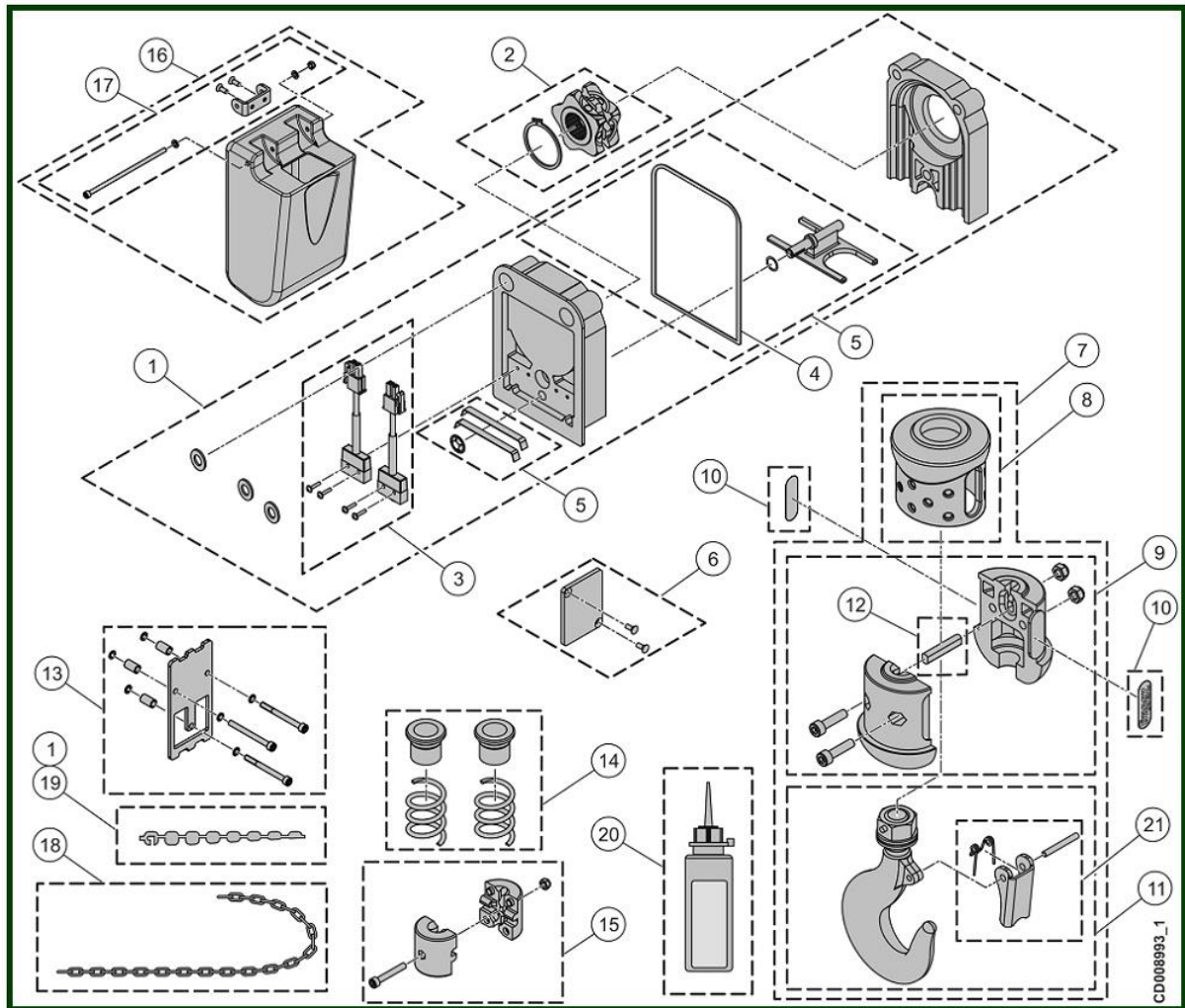


Item	Reference	Description	Observation	Quantity
1	VT0008398	Housing module	Standard	1
2	VT0009623	Sealings set		1
3	VT0006911	Screws set		1
4	VT0009656	Cover set - Standard	VERLINDE	1
5	VT0009657	Cover set - Standard	Standard	1
6	VT0009658	Cover set - Motor side	Standard	1
7	VT0008403	Counterweight		1
8	VT0008766	Coupling part	Electric trolley	1
9	VT0008405	Shaft set		1
10	VT0009407	Shaft set	Electric trolley	1
-	VT0006026	Identification plate	Serial number request	1
-	VT0009615	Sticker Verlinde		1
-	VT0009613	Sticker EX		1
-	VT0009589	Warning sticker	ES-WARN-WAIT15-S-FR / FRA	1
-	VT0009590	Warning sticker	ES-WARN-WAIT15-S-EN / ENG	1
-	VT0009591	Warning sticker	ES-WARN-WAIT15-S-DE / DEU	1
-	VT0009592	Warning sticker	ES-WARN-WAIT15-S-NL / DUT	1
-	VT0009593	Warning sticker	ES-WARN-WAIT15-S-ES / SPA	1
-	VT0009594	Warning sticker	ES-WARN-WAIT15-S-FI / FIN	1
-	VT0009595	Warning sticker	ES-WARN-WAIT15-S-IT / ITA	1
-	VT0009597	Warning sticker	ES-WARN-WAIT15-S-ZH / CHI	1
-	VT0009598	Warning sticker	ES-WARN-WAIT15-S-CZ / CZE	1
-	VT0009599	Warning sticker	ES-WARN-WAIT15-S-DA / DAN	1
-	VT0009601	Warning sticker	ES-WARN-WAIT15-S-ET / EST	1
-	VT0009602	Warning sticker	ES-WARN-WAIT15-S-HU / HUN	1
-	VT0009603	Warning sticker	ES-WARN-WAIT15-S-LT / LT	1
-	VT0009604	Warning sticker	ES-WARN-WAIT15-S-LV / LAV	1
-	VT0009605	Warning sticker	ES-WARN-WAIT15-S-NO / NOR	1
-	VT0009606	Warning sticker	ES-WARN-WAIT15-S-PO / POL	1
-	VT0009607	Warning sticker	ES-WARN-WAIT15-S-PT / POR	1
-	VT0009609	Warning sticker	ES-WARN-WAIT15-S-RU / RUS	1

2. CHAIN GUIDE – Chain 4x11

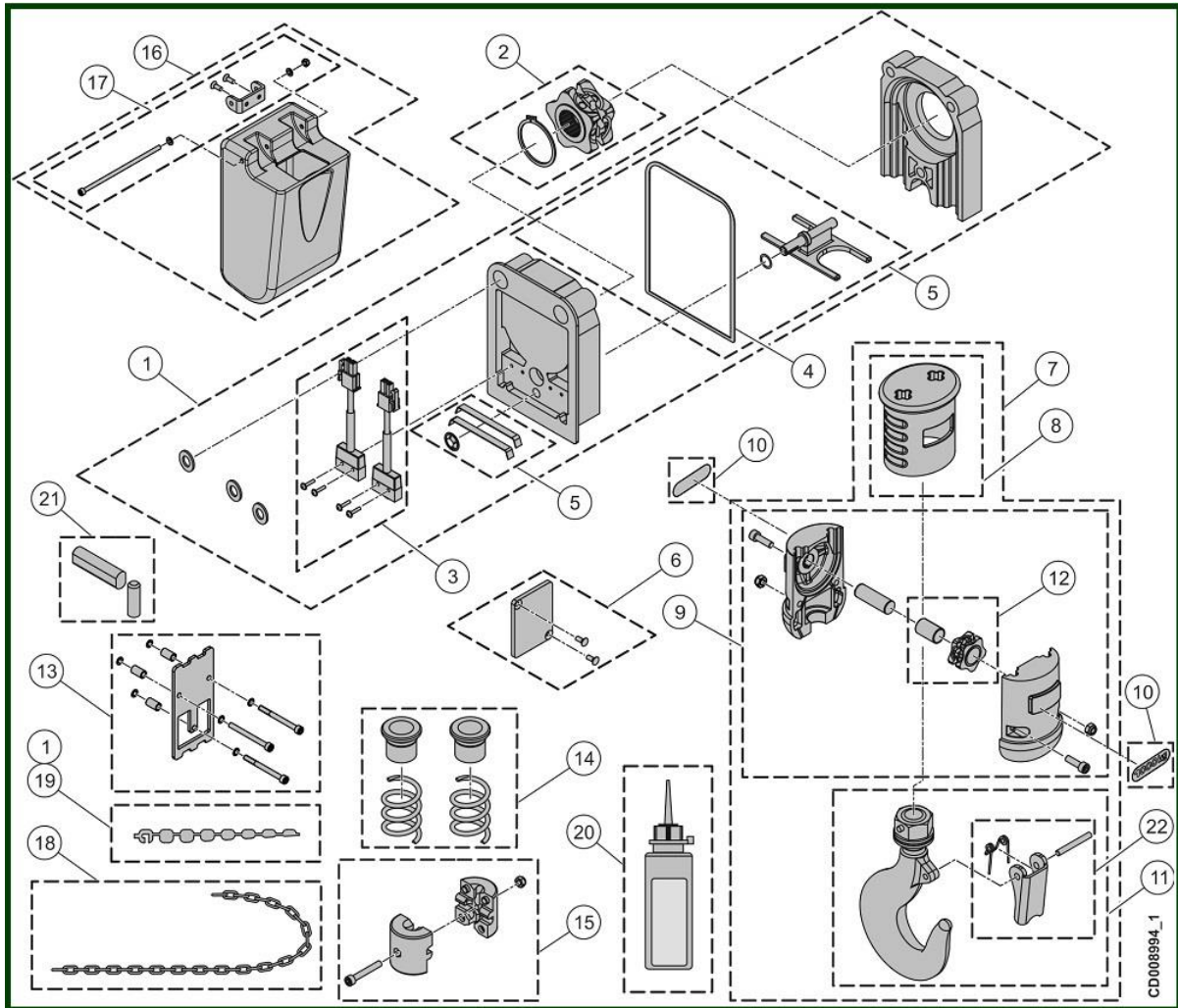


2.1. Standard & bronze coated hook - 1 fall



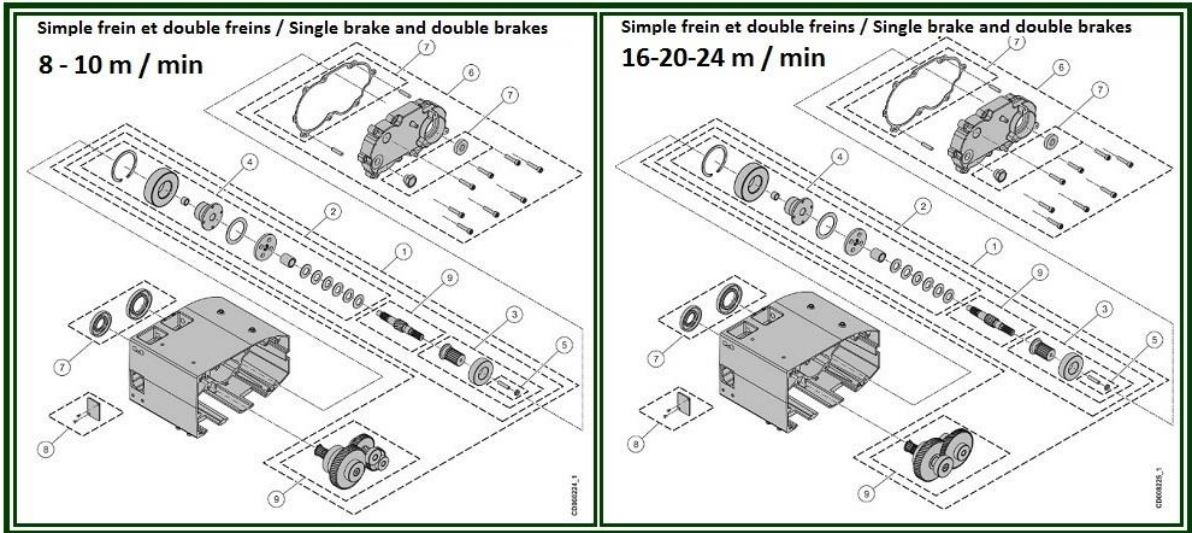
Item	Reference	Description	Observation	Quantity
1	VT0009709	Chain guide - Chain 7x20		1
2	VT0005106	Chain sprocket		1
3	VT0004876	Switch set		1
4	VT0004871	Sealing set		1
5	VT0004872	Limit switch activator		1
6	VT0008483	End cap	Chain guide - L40x34T8	1
7	VT0008562	Complete hook - 1 fall	DH- Standard hook	1
7	VT0009586	Complete hook - 1 fall	Bronze	1
8	VT0008484	Rubber chain stop	Standard hook	1
9	VT0004873	Half casing set	Standard hook	1
10	VT0006340	Set of 10 stickers load	250 Kg	1
10	VT0006341	Set of 10 stickers load	320 Kg	1
10	VT0006041	Set of 10 stickers load	500 Kg	1
10	VT0006342	Set of 10 stickers load	630 Kg	1
10	VT0008658	Set of 10 stickers load	1/4 TON	1
10	VT0008657	Set of 10 stickers load	1/2 TON	1
11	VT0004975	Standard hook		1
11	VT0009638	Bronze coated hook		1
12	VT0006240	Shaft		1
13	VT0009655	Reinforcement set		1
14	VT0008838	Springs set		1
15	VT0004877	Slack fall stop		1
16	VT0009662	Chain bucket	6 m for 5x14	1
17	VT0008833	Fixing set of chain bucket	L166 H28 T4	1
18	VT0005109	Galvanized standard chain - 5x14		1
18	VT0006343	Stainless steel chain - 5x14		1
19	VT0005574	Chain fitting tool		1
20	VT0006025	Oil can		1
21	VT0005901	Standard safety latch	Standard hook	1
-	VT0009561	Sticker - Chain bucket	EN / ENG	1
-	VT0009562	Sticker - Chain bucket	FI / FIN	1
-	VT0009563	Sticker - Chain bucket	FR / FRA	1
-	VT0009564	Sticker - Chain bucket	DE / DEU	1
-	VT0009565	Sticker - Chain bucket	IT / ITA	1
-	VT0009566	Sticker - Chain bucket	ES / SPA	1
-	VT0009568	Sticker - Chain bucket	ZH / CHI	1
-	VT0009569	Sticker - Chain bucket	CZ / CZE	1
-	VT0009570	Sticker - Chain bucket	DA / DAN	1
-	VT0009571	Sticker - Chain bucket	NL / DUT	1
-	VT0009573	Sticker - Chain bucket	ET / EST	1
-	VT0009574	Sticker - Chain bucket	HU / HUN	1
-	VT0009575	Sticker - Chain bucket	LT / LT	1
-	VT0009576	Sticker - Chain bucket	LV / LAV	1
-	VT0009577	Sticker - Chain bucket	NO / NOR	1
-	VT0009578	Sticker - Chain bucket	PO / POL	1
-	VT0009579	Sticker - Chain bucket	PT / POR	1
-	VT0009581	Sticker - Chain bucket	RU / RUS	1

2.2. Standard & bronze coated - 2 falls

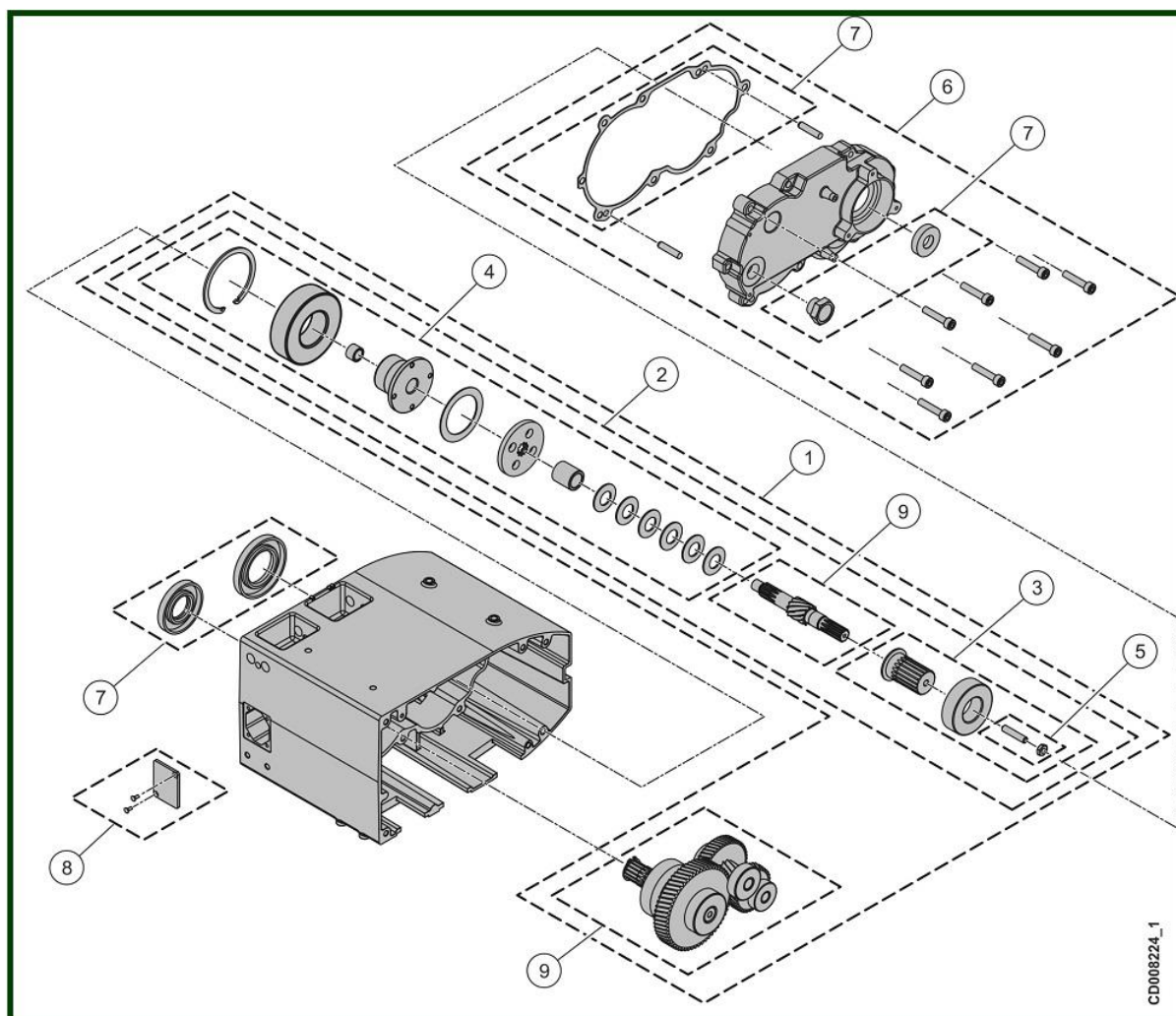


Elément	Référence	Description	Observation	Quantité
1	VT0009709	Chain guide - Chain 7x20		1
2	VT0005106	Chain sprocket		1
3	VT0004876	Switch set		1
4	VT0004871	Sealing set		1
5	VT0004872	Limit switch activator		1
6	VT0008483	End cap	Chain guide - L40x34T8	1
7	VT0008567	Complete hook - 2 falls	Standard hook + Standard hook block	1
7	VT0009588	Complete hook - 2 falls	Bronze coated hook	1
8	VT0008568	Rubber chain stop	Standard hook	1
9	VT0008624	Half casing set	Standard hook + Standard hook block	1
10	VT0008944	Set of 10 stickers load	500 Kg	1
10	VT0008945	Set of 10 stickers load	1000 Kg	1
10	VT0009663	Set of 10 stickers load	1/2 TON	1
10	VT0009664	Set of 10 stickers load	1 TON	1
11	VT0005861	Standard hook		1
11	VT0009560	Bronze coated hook		1
12	VT0008659	Return sprocket		1
13	VT0009655	Reinforcement plate set		1
14	VT0008838	Springs set		1
15	VT0004877	Chain stop		1
16	VT0009662	Chain bucket	6m for 5x14	1
17	VT0008833	Fixing set of chain bucket	L166 H28 T4	1
18	VT0005109	Galvanized standard chain - 5x14		1
18	VT0006343	Stainless steel chain - 5x14		1
19	VT0005574	Chain fitting tool		1
20	VT0006025	Oil can		1
21	VT0008662	Fixing module	Standard hook	1
22	VT0005903	Safety latch	Rotary hook - 1 fall	1
-	VT0009561	Sticker - Chain bucket	EN / ENG	1
-	VT0009562	Sticker - Chain bucket	FI / FIN	1
-	VT0009563	Sticker - Chain bucket	FR / FRA	1
-	VT0009564	Sticker - Chain bucket	DE / DEU	1
-	VT0009565	Sticker - Chain bucket	IT / ITA	1
-	VT0009566	Sticker - Chain bucket	ES / SPA	1
-	VT0009568	Sticker - Chain bucket	ZH / CHI	1
-	VT0009569	Sticker - Chain bucket	CZ / CZE	1
-	VT0009570	Sticker - Chain bucket	DA / DAN	1
-	VT0009571	Sticker - Chain bucket	NL / DUT	1
-	VT0009573	Sticker - Chain bucket	ET / EST	1
-	VT0009574	Sticker - Chain bucket	HU / HUN	1
-	VT0009575	Sticker - Chain bucket	LT / LT	1
-	VT0009576	Sticker - Chain bucket	LV / LAV	1
-	VT0009577	Sticker - Chain bucket	NO / NOR	1
-	VT0009578	Sticker - Chain bucket	PO / POL	1
-	VT0009579	Sticker - Chain bucket	PT / POR	1
-	VT0009581	Sticker - Chain bucket	RU / RUS	1

3. STANDARD GEAR

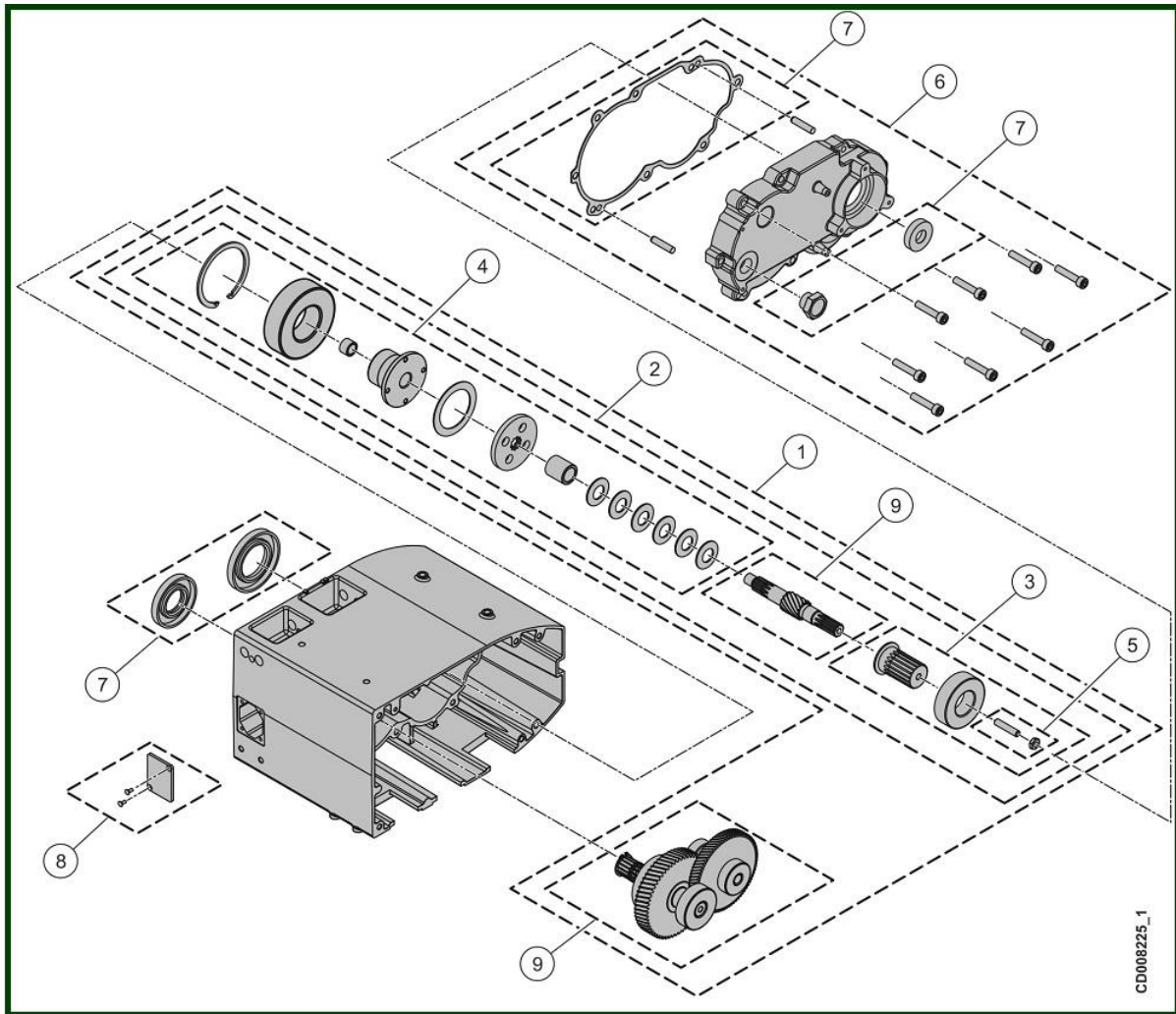


3.1. Single brake – 8-10 m/min



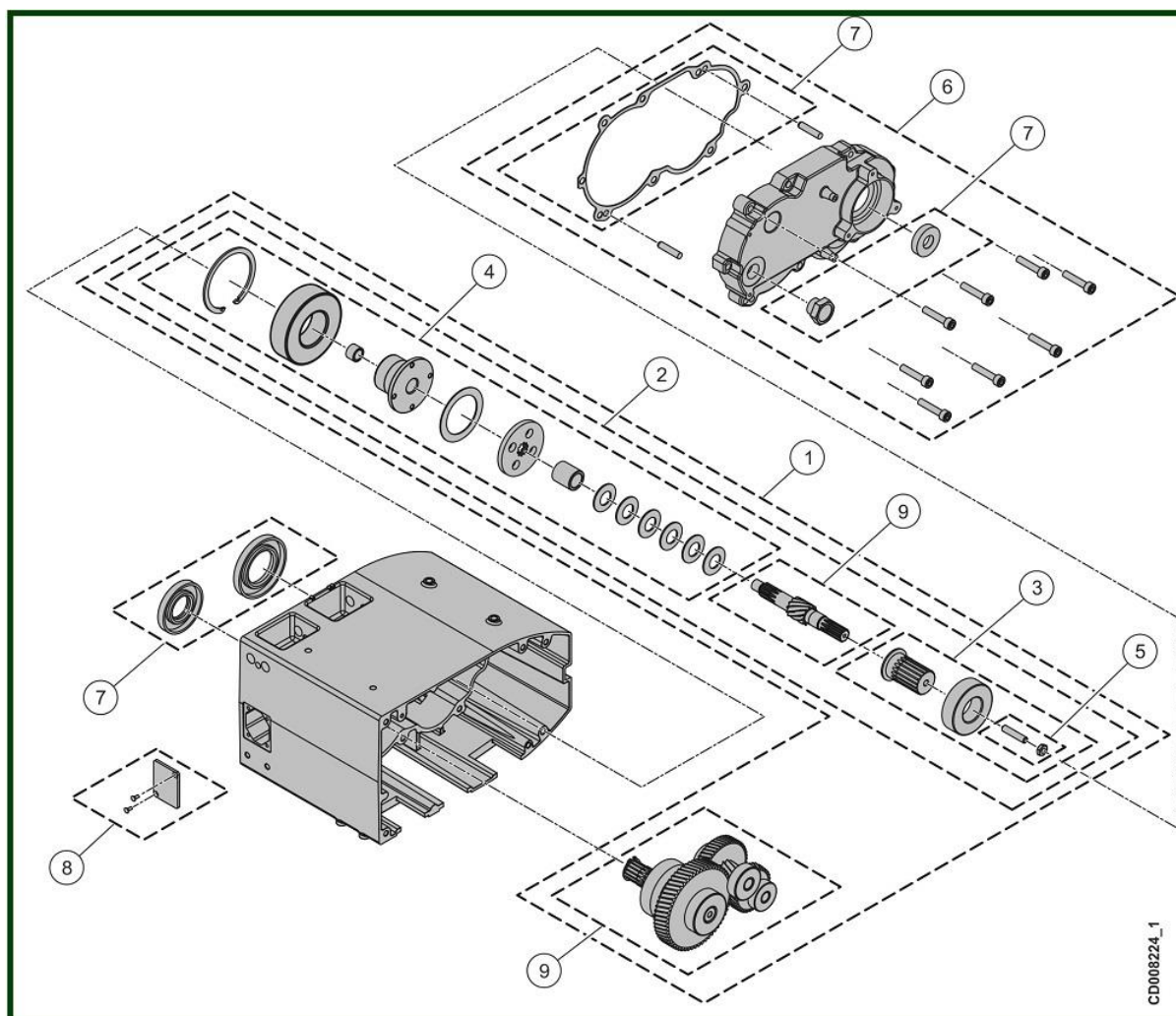
Item	Reference	Description	Observations	Quantity
1	VT0008677	Gear pinion set	8m/min	1
1	VT0008678	Gear pinion set	10m/min	1
2	VT0008673	Gear shaft with clutch	8 m/min + 10 m/min	1
3	VT0004886	Coupling - Side brake		1
4	VT0008672	Clutch with retaining ring		1
5	VT0006107	Screws set		1
6	VT0009408	Gear Housing set		1
7	VT0009325	Sealing set		1
8	VT0008483	End cap – Chain guide	L40x34T8	1
9	VT0004883	Gear assembly	8m/min	1
9	VT0004884	Gear assembly	10m/min	1

3.2. Single brake – 16-20 m/min



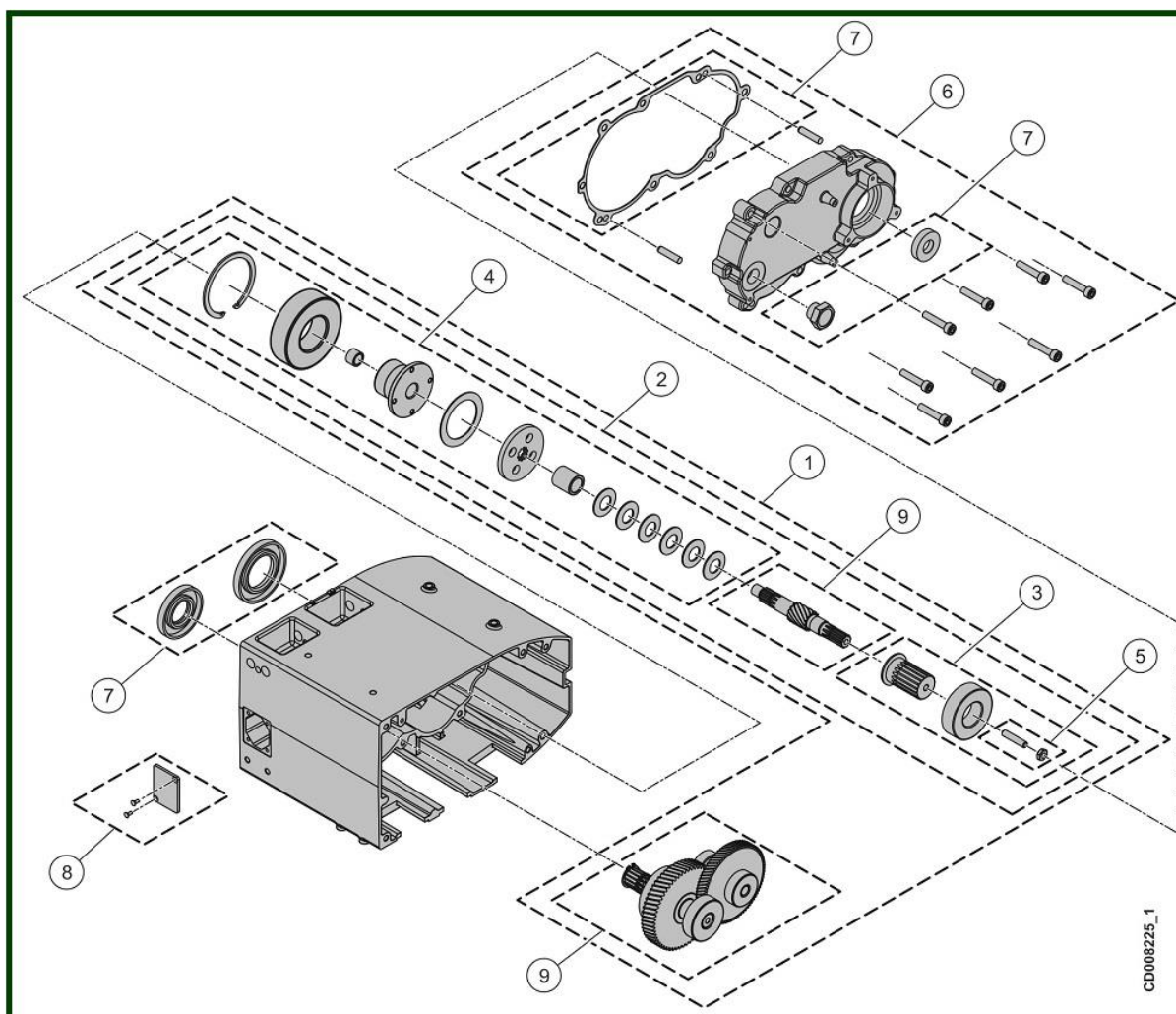
Item	Reference	Description	Observation	Quantity
1	VT0008679	Gear / Pignon set	16 m/min	1
1	VT0008680	Gear / Pignon set	20 m/min	1
2	VT0008674	Gear shaft with clutch	16 m/min + 20 m/min	1
3	VT0004886	Coupling - Side brake		1
4	VT0008672	Clutch with retaining ring		1
5	VT0006107	Screws set		1
6	VT0009408	Gear Housing set	Standard & Gear Limit Switch	1
7	VT0009325	Sealing set		1
8	VT0008483	End cap	Chain guide - L40x34T8	1
9	VT0005310	Gear assembly	16 m/min	1
9	VT0005311	Gear assembly	20 m/min	1

3.3. Double brakes – 8-10 m/min



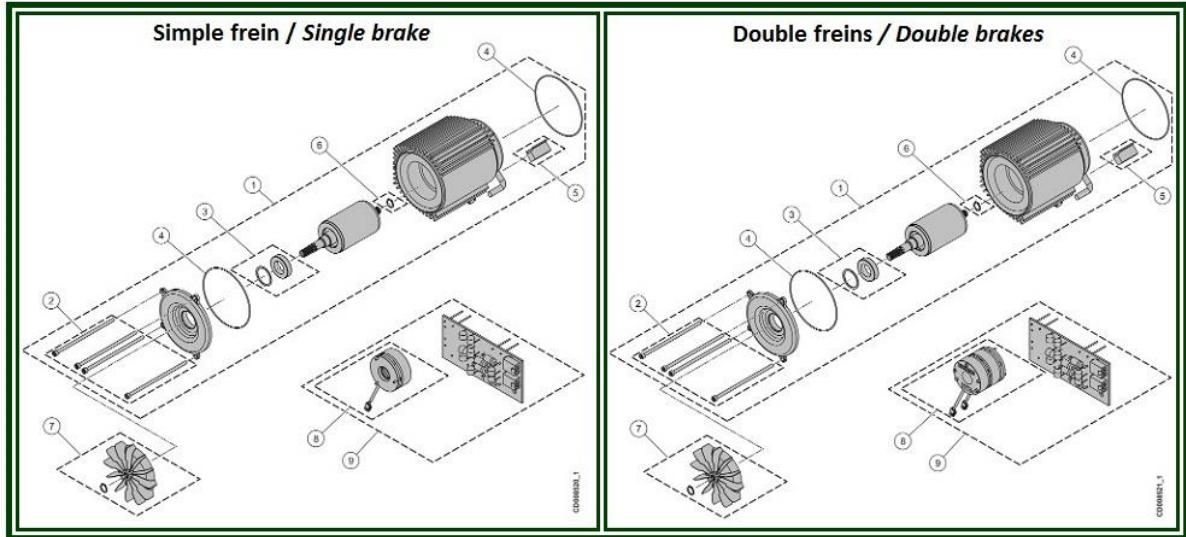
Item	Reference	Description	Observations	Quantity
1	VT0008682	Gear / Pinion set	8 m/min	1
1	VT0008683	Gear / Pinion set	10 m/min	1
2	VT0008675	Gear shaft with clutch	8 m/min + 10 m/min	1
3	VT0006504	Clutch with retaining ring		1
4	VT0008672	Clutch with retaining ring		1
5	VT0006107	Sealing set		1
6	VT0009408	Gear Housing set	Standard & Gear limit switch	1
7	VT0009325	Sealing set		1
8	VT0008483	End cap	Chain guide - L40x34T8	1
9	VT0004883	Gear assembly	8 m/min	1
9	VT0004884	Gear assembly	10 m/min	1

3.4. Double brakes – 16-20 m/min

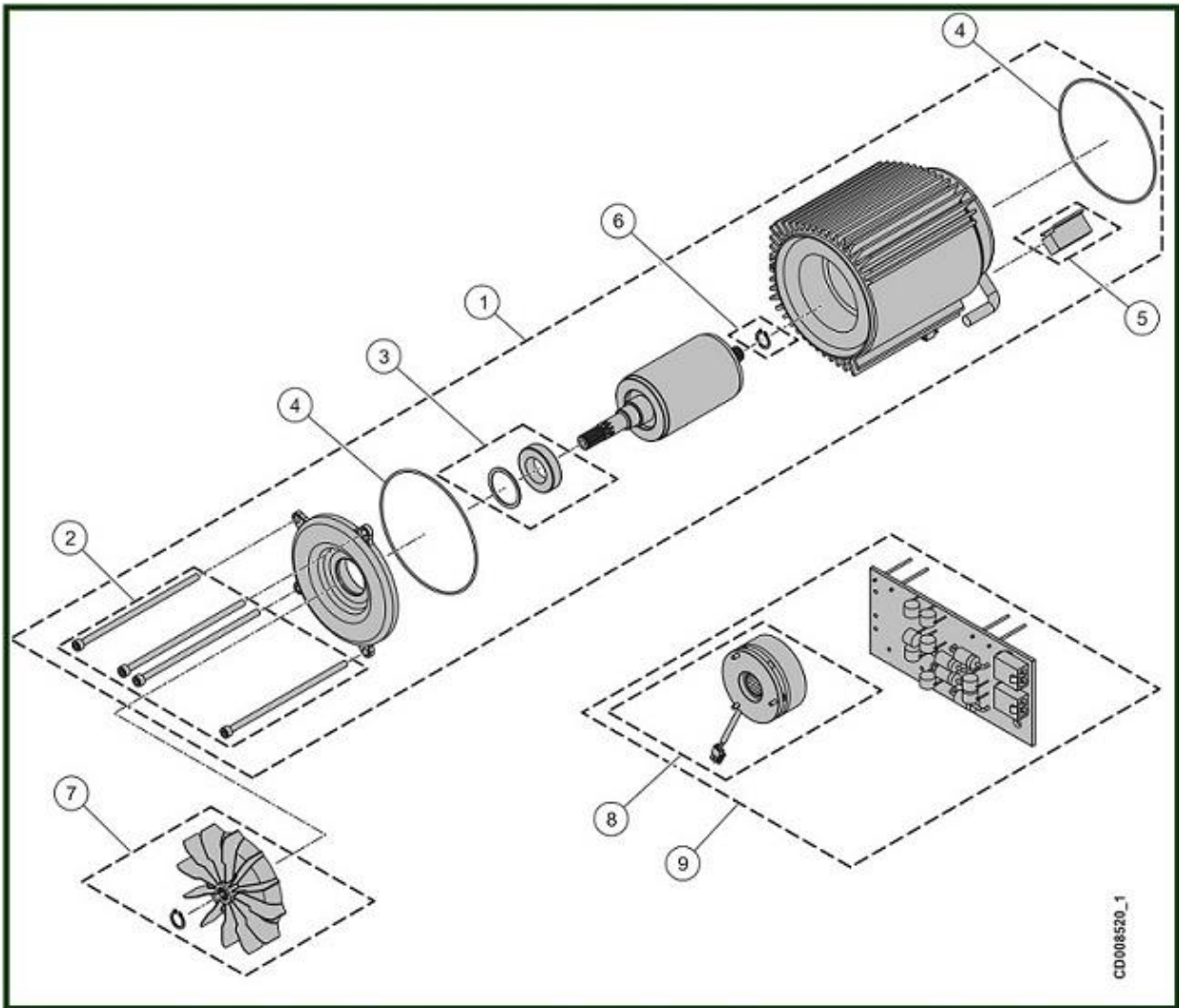


Item	Reference	Description	Observation	Quantity
1	VT0008684	Gear / Pinion set	16 m / min	1
1	VT0008685	Gear / Pinion set	20 m / min	1
2	VT0008676	Gear shaft with clutch	16 m / min + 20 m / min	1
3	VT0006504	Coupling - Brake side		1
4	VT0008672	Clutch with retaining ring		1
5	VT0006107	Screws set		1
6	VT0009408	Gear Housing set		1
7	VT0009325	Sealing set		1
8	VT0008483	End cap	Chain guide - L40x34T8	1
9	VT0005310	Gear assembly	16 m / min	1
9	VT0005311	Gear assembly	20 m / min	1

4. MOTOR

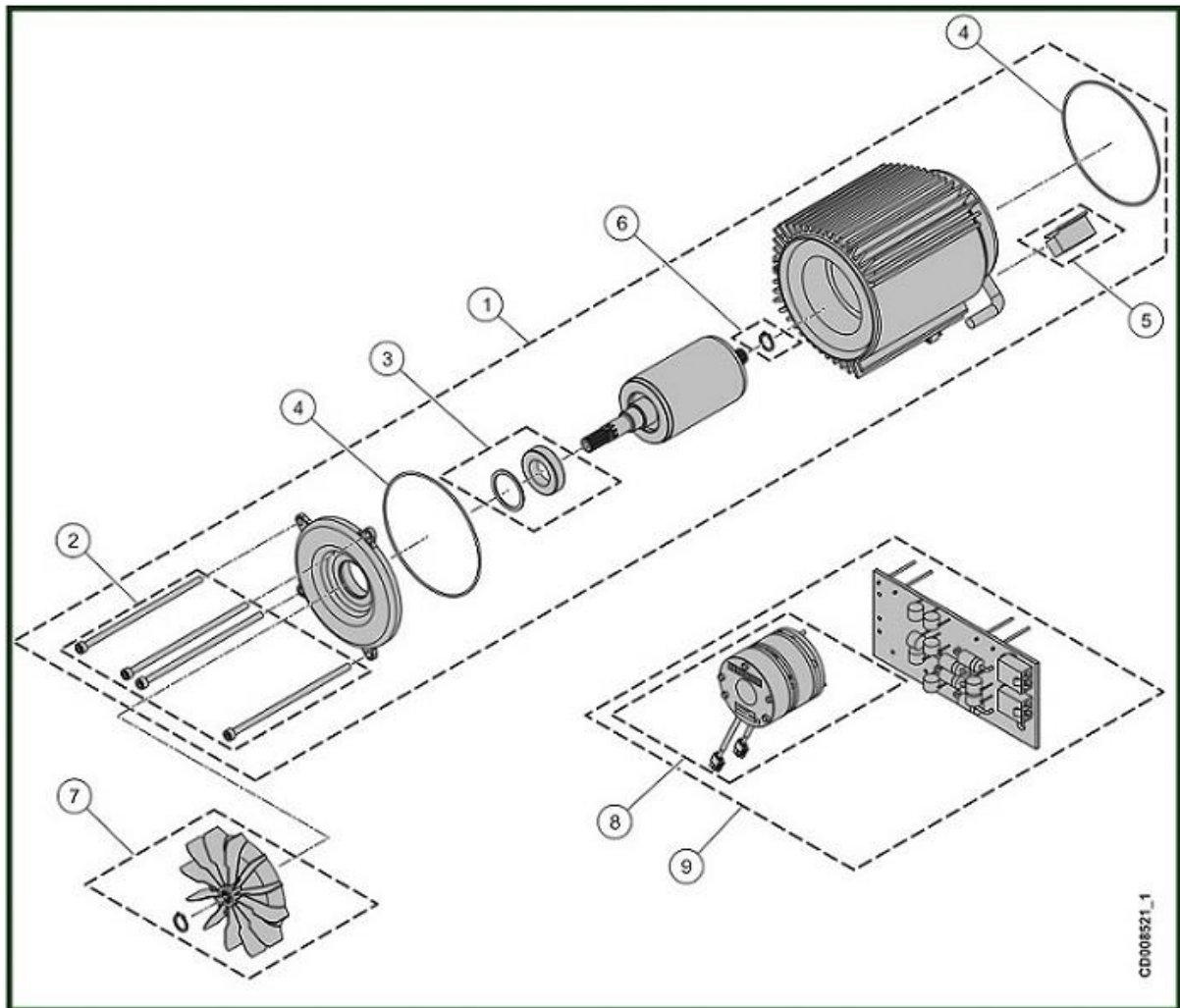


4.1 Single brake



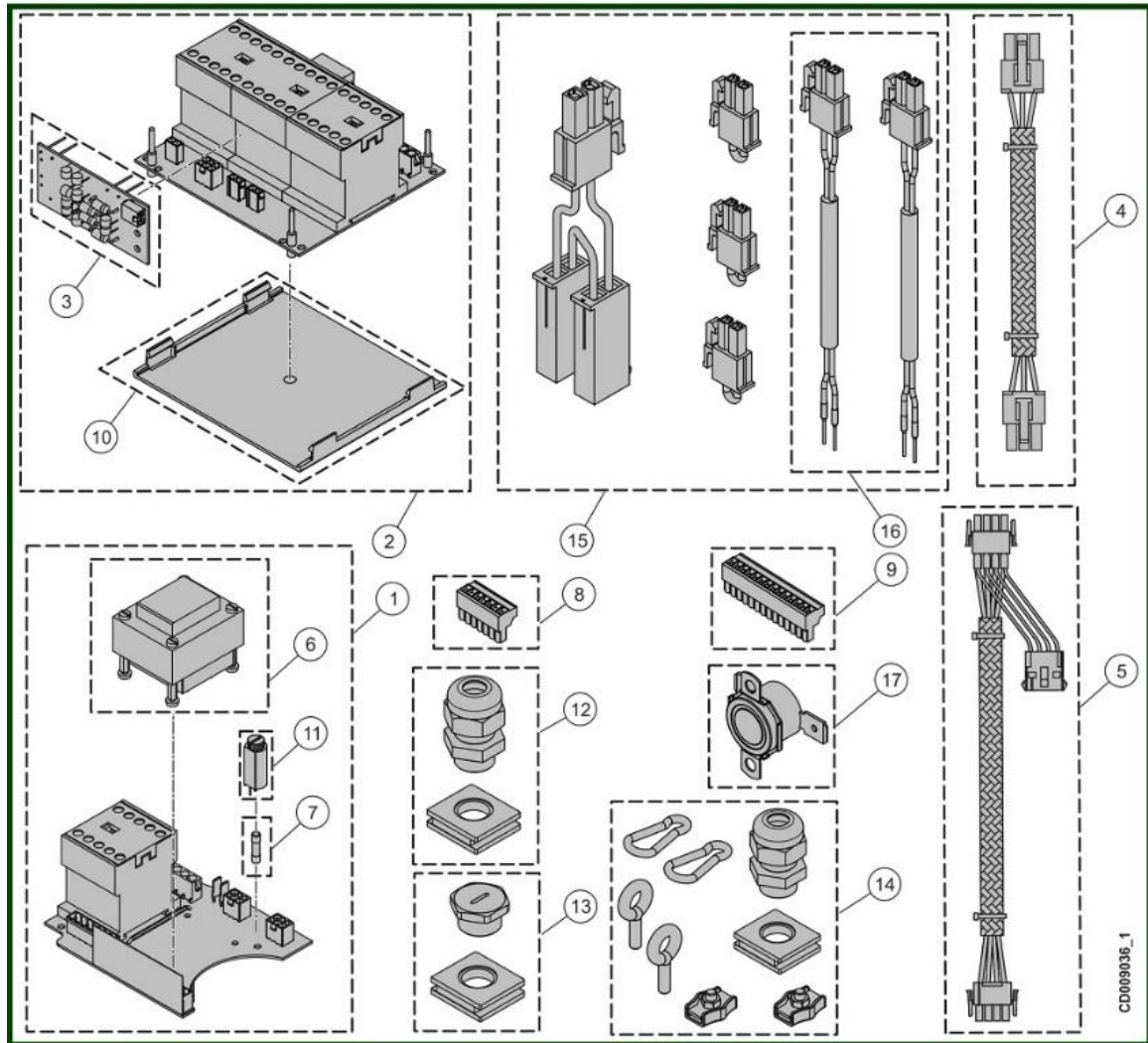
Élément	Référence	Description	Observations	Quantité
1	VT0009150	Motor - 2 speeds	380-415V - 50Hz (3000/750tr/min) 440-480V - 60Hz (3600/900tr/min)	1
1	VT0009176	Motor - 2 speeds	380-400V - 60Hz	1
1	VT0009181	Motor - 2 speeds (2:6)	380-415V - 50Hz 440-480V - 60Hz	1
1	VT0009184	Motor - 2 speeds (2:6)	380-400V - 60Hz	1
2	VT0008704	Screws set		1
3	VT0006569	Bearing set		1
4	VT0008705	Sealings set		2
5	VT0004976	Rubber		1
6	VT0004977	Retaining ring		1
7	VT0004891	Fan set		1
8	VT0004661	Single brake	103-230V	1
8	VT0004979	Single brake	190-400V	1
8	VT0006473	Single brake	255-500V	1
8	VT0006474	Single brake	320-690V	1
9	VT0006187	Single brake + Rectifier	103V	1
9	VT0006262	Single brake + Rectifier	190V	1

4.2 Doubles brakes



Item	Reference	Description	Observations	Quantity
1	VT0009150	Motor - 2 speeds 8-10-16-20m/min	380-415V - 50Hz (3000/750tr/min) 440-480V - 60Hz (3600/900tr/min)	1
1	VT0009176	Motor - 2 speeds	380-400V - 60Hz	1
1	VT0009181	Motor - 2 speeds (2:6)	380-415V - 50Hz 440-480V - 60Hz	1
1	VT0009184	Motor - 2 speeds (2:6)	380-400V - 60Hz	1
2	VT0008704	Screws set		1
3	VT0006569	Bearing set		1
4	VT0008705	Sealings set		2
5	VT0004976	Rubber		1
6	VT0004977	Retaining ring		1
7	VT0004891	Fan set		1
8	VT0006259	Double brakes	103-230V	1
8	VT0006258	Double brakes	190-400V	1
8	VT0006475	Double brakes	255-500V	1
8	VT0006476	Double brakes	320-690V	1
9	VT0006264	Double brakes + Rectifier	103V	1
9	VT0006263	Double brakes + Rectifier	190V	1

5. ELECTRICAL PARTS



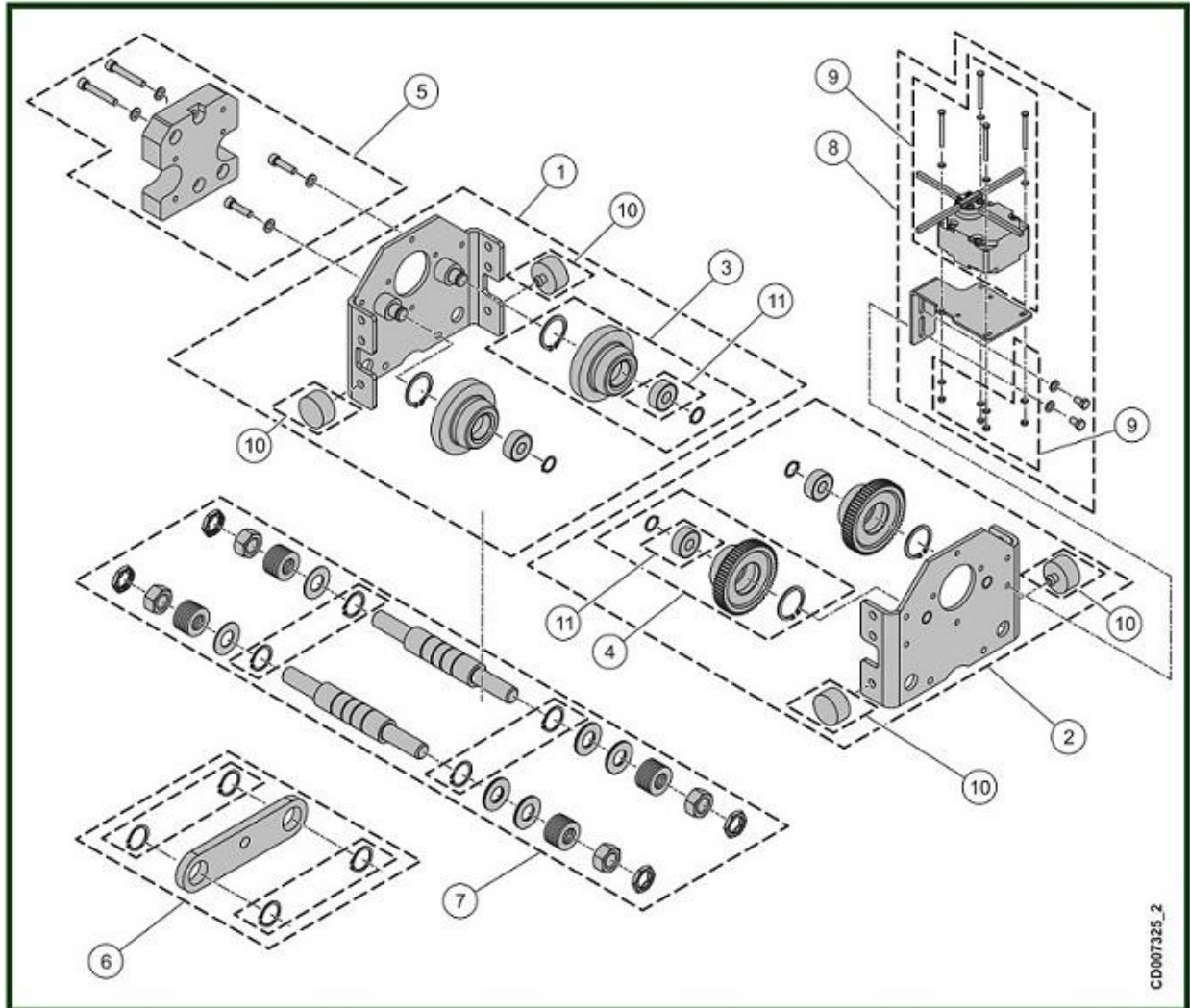
Elément	Référence	Description	Observations	Quantité
1	VT0004942	Power supply PC Board - Solo hoist	400V / 48V - CI/PC BOARD	1
1	VT0004944	Power supply PC Board - Solo hoist	400V / 24V - CI/PC BOARD	1
1	VT0005312	Power supply PC Board - Solo hoist	400V / 110V - CI/PC BOARD	1
1	VT0005313	Power supply PC Board - Solo hoist	400V / 230V - CI/PC BOARD	1
2	VT0005302	Electrical board - 2 speeds - 1 brake	230V-600V / 24V / 50-60Hz	1
2	VT0004945	Electrical board - 2 speeds - 1 brake	230V-600V / 48V / 50-60Hz	1
2	VT0005303	Electrical board - 2 speeds - 1 brake	230V-600V / 115V / 50-60Hz	1
2	VT0005304	Electrical board - 2 speeds - 1 brake	230V-600V / 230V / 50-60Hz	1
2	VT0005305	Electrical board - 2 speeds - 2 brakes	230V-600V / 24V / 50-60Hz	1
2	VT0005306	Electrical board - 2 speeds - 2 brakes	230V-600V / 48V / 50-60Hz	1
2	VT0005307	Electrical board - 2 speeds - 2 brakes	230V-600V / 110V / 50-60Hz	1
2	VT0005308	Electrical board - 2 speeds - 2 brakes	230V-600V / 230V / 50-60Hz	1
3	VT0004946	Rectifier - 1 brake	230V-690V	1
3	VT0004947	Rectifier - 2 brakes	230V-690V	1
4	VT0004949	Wire harness - Plug control voltage		1
5	VT0004950	Wire harness - Plug power voltage		1
6	VT0004953	Transformer	400V / 48V - 50-60Hz	1
6	VT0005314	Transformer	400V / 24V - 50-60Hz	1
6	VT0004951	Transformer	400V / 115V - 50-60Hz	1
6	VT0004954	Transformer	400V / 230V - 50-60Hz	1
7	VT0004915	Set of 10 fuses	48V	1
7	VT0008541	Set of 10 fuses	230V	1
7	VT0007706	Set of 10 fuses	24V/48V	1
8	VT0005107	Connector	4P	1
9	VT0005108	Connector - Pendant	14P	1
10	VT0006441	Insulation plate		1
11	VT0006191	Fuse base		1
12	VT0009626	Cable gland set - Square cable entry		1
13	VT0009624	Cable entry		1
14	VT0009627	Cable gland set - Square cable entry		1
15	VT0009625	Set of connection GLS		1
16	VT0011876	GLS cable		1
17	VT0009628	Thermostat		1
18	VT0009631	Wire harness		1

6. PUSH BUTTON CONTROLLER

Item	Reference	Description	Observations	Quantity
1	VT0009677	Pendant controller 2HS + ES + Key	2 buttons	1
1	VT0009676	Pendant controller 2HS + 2CT + ES + Key	4 buttons	1
1	VT0009680	Pendant controller 2HS + ES	2 buttons	1
1	VT0009678	Pendant controller 2HS + 2CT + ES	4 buttons	1
1	VT0009679	Pendant controller 2HS + 2CT + 2VT + ON + AU	6 buttons	1
2	VT0009681	Adapter		1
3	VT0007882	Set of direction symbols		1
5	VT0009682	Contacteur - Stop push button		1
5	VT0009683	Contacteur - Direction button		1
7	VT0009685	Pendant cable		1
8	VT0005108	Control voltage connector		1
9	VT0009686	Plug set - 2 & 4 buttons pendant	ATEX ZONE 22	1

7. NORMAL HEADROOM TROLLEY (NHT)

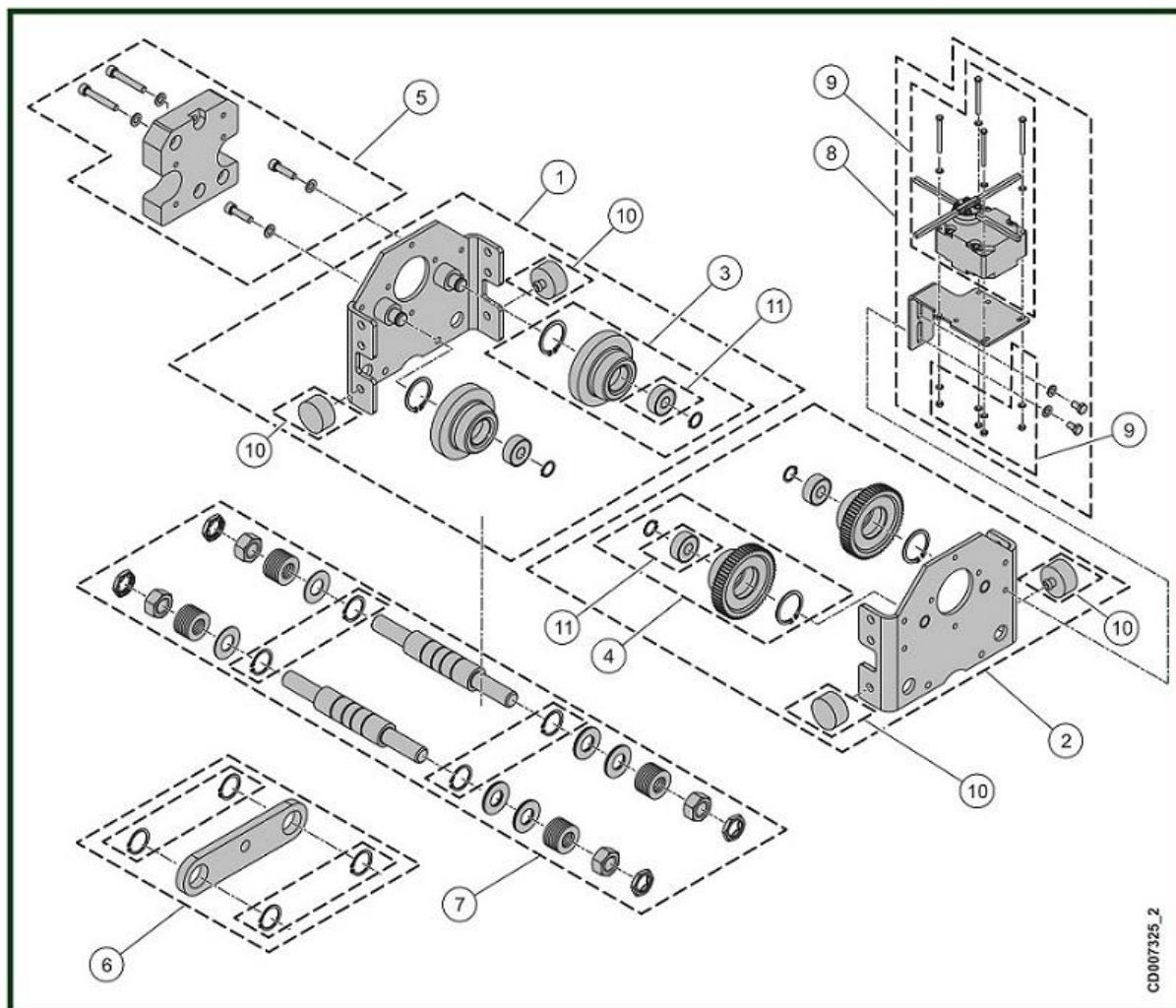
7.1. C1 trolley – 0 to 1000 Kg – Coupled version



Item	Reference	Description	Observation	Quantity
1	VT0007051	Idler side plate assembly		1
2	VT0007066	Drive side plate assembly		1
3	VT0007061	Complete set of travel wheel without shaft		1
4	VT0007063	Set driving wheel without shaft	Ø 62 - 93 mm	1
5	VT0007062	Set of counterweight		1
6	VT0007065	Cross bar	Coupled version	1
7	VT0007026	Tie rod set beam 55 to 100 mm	Monobloc tie road since 1999 Hook and coupling suspension	1
7	VT0007027	Tie rod set beam 106 to 150 mm	Monobloc tie road since 1999 Hook and coupling suspension	1
7	VT0007028	Tie rod set beam 155 to 200 mm	Monobloc tie road since 1999 Hook and coupling suspension	1
7	VT0007029	Tie rod set beam 206 to 248 mm	Monobloc tie road since 1999 Hook and coupling suspension	1
7	VT0007030	Tie rod set beam 260 to 307 mm	Monobloc tie road since 1999 Hook and coupling suspension	1
7	VT0007031	Tie rod set beam 308 to 310 mm	Monobloc tie road since 1999 Hook and coupling suspension	1
8	VT0009653	Travelling limit switch assembly		1
9	VT0009630	Travelling limit switch assembly		1
10	VT0009357	Buffer	D40x20 - For C1 to C5 trolley	1
11	VT0007091	Ball bearing		1

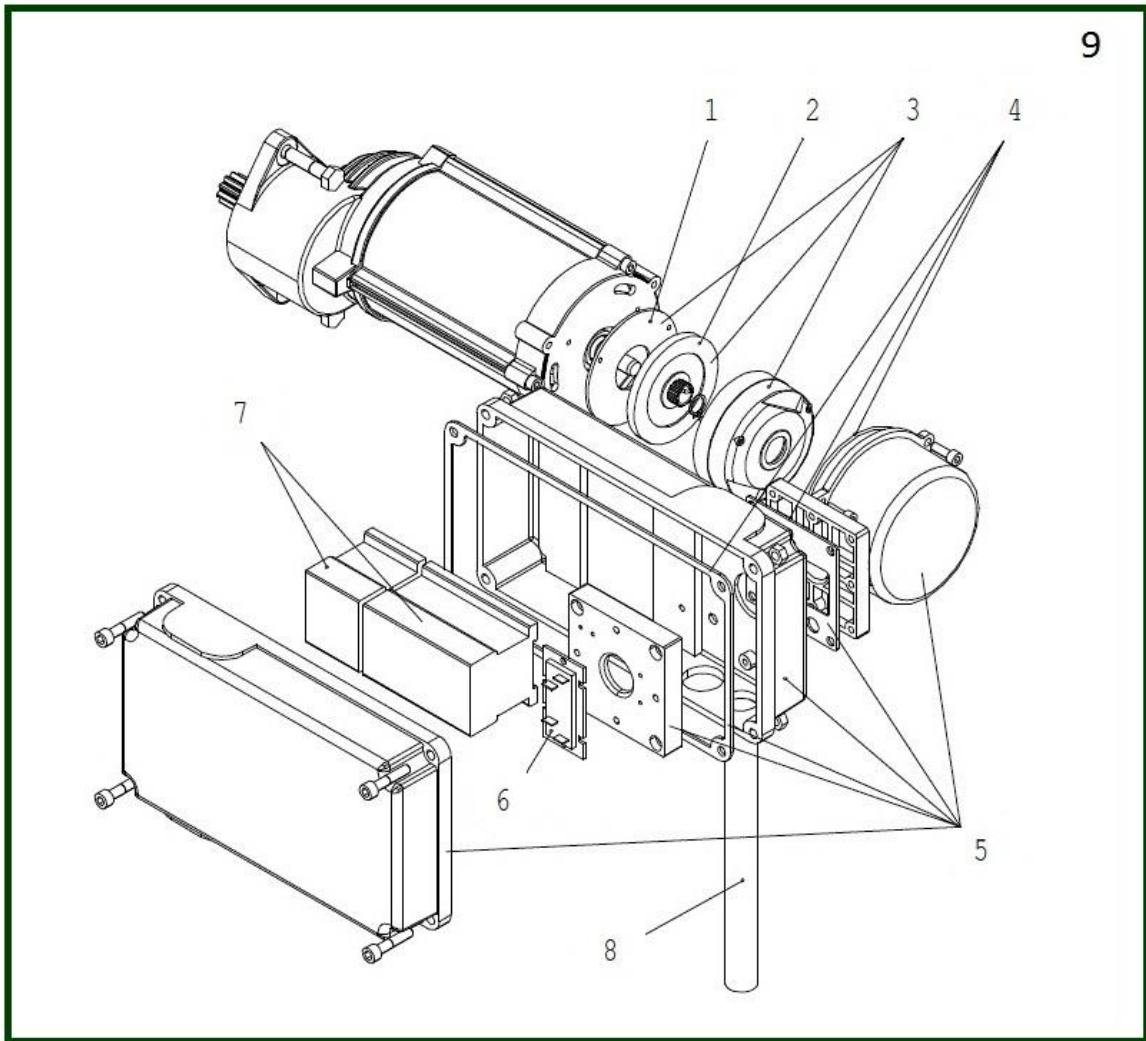
7.2. C2 trolley– 1001 to 2000 Kg – Coupled version

Only for voltage greater than 480V



Item	Reference	Description	Observation	Quantity
1	VT0007067	Idler side plate assembly	C2	1
2	VT0007068	Drive side plate assembly	C2	1
3	VT0007069	Set of idler wheel without shaft	C2 - Ø 80x120 mm	1
4	VT0008778	Set of driving wheel without shaft	C2 - Ø 80x120 mm	1
5	VT0008780	Set of counterweight	C2	1
6	VT0007085	Cross bar	Coupled version	1
7	VT0007036	Tie rod set beam 64 to 126 mm	C2 - Monobloc tie road since 1999 Hook and coupling suspension	1
7	VT0007037	Tie rod set beam 131 to 190 mm	C2 - Monobloc tie road since 1999 Hook and coupling suspension	1
7	VT0007038	Tie rod set beam 198 to 248 mm	C2 - Monobloc tie road since 1999 Hook and coupling suspension	1
7	VT0007039	Tie rod set beam 260 to 310 mm	C2 - Monobloc tie road since 1999 Hook and coupling suspension	1
8	VT0009653	Travelling limit switch assembly		1
9	VT0009630	Travelling limit switch assembly		1
10	VT0007088	Buffer	D40X20 M10	1
11	VT0008781	Ball bearing	C2	1

7.3. TMU2 Motor – Two speeds



Elément	Référence	Description	Observations	Quantité
1	VT0009643	TMU 2	48V	1
1	VT0009646	TMU 2	115V	1
2	VT0002846	Brake disc	MF06MA104 380V-415V (180V) MF06LA104	1
3	VT0009644	Sealing set		1
4	VT0009645	Housing set		1
5	VT0011936	Reverseur Contactor	400V/48V	1
5	VT0011937	Reverseur Contactor	110V	1
5	VT0011939	Selector Contactor	48V	1
5	VT0011940	Selector Contactor	110V	1
6	VT0009427	Gear	5T/BV TMU/TDV GEL105PT1BO	1
7	VT0011941	Terminal box		1
8	VT0001552	Friction disc		1
9	VT0009629	Cable connexion		1
10	VT0009323	Fixing set		1
11	VT0001551	Rectifier 100VDC	220V	1
11	VT0001550	Rectifier - Crane NM181NR4	380V à 550V	1

8. MANUAL TROLLEY CHD



Élément	Référence	Description	Observation	Quantité
	VT0006536	Buffer	Ø 18mm - 250 kg	4
	VT0006537	Buffer	Ø 24mm - 500 kg	4