

Spare parts catalog for "VR05 Vario - Phase 2"

To avoid errors, when ordering please specify:

- Complete type of hoist
- Date of manufacture and serial number
- Spare part code
- Spare part designation
- Additional information



1) FRAME

- 1.1) Manual trolley
- 1.2) Electric trolley
- 1.3) Suspension hook

2) CHAIN GUIDE

- 2.1) Chain guide - 1 fall
- 2.2) Chain guide - 2 falls
- 2.3) Precut chain

3) GEAR - SINGLE BRAKE

4) MOTOR

5) ELECTRICAL PARTS

6) PUSH BUTTON CONTROLLER

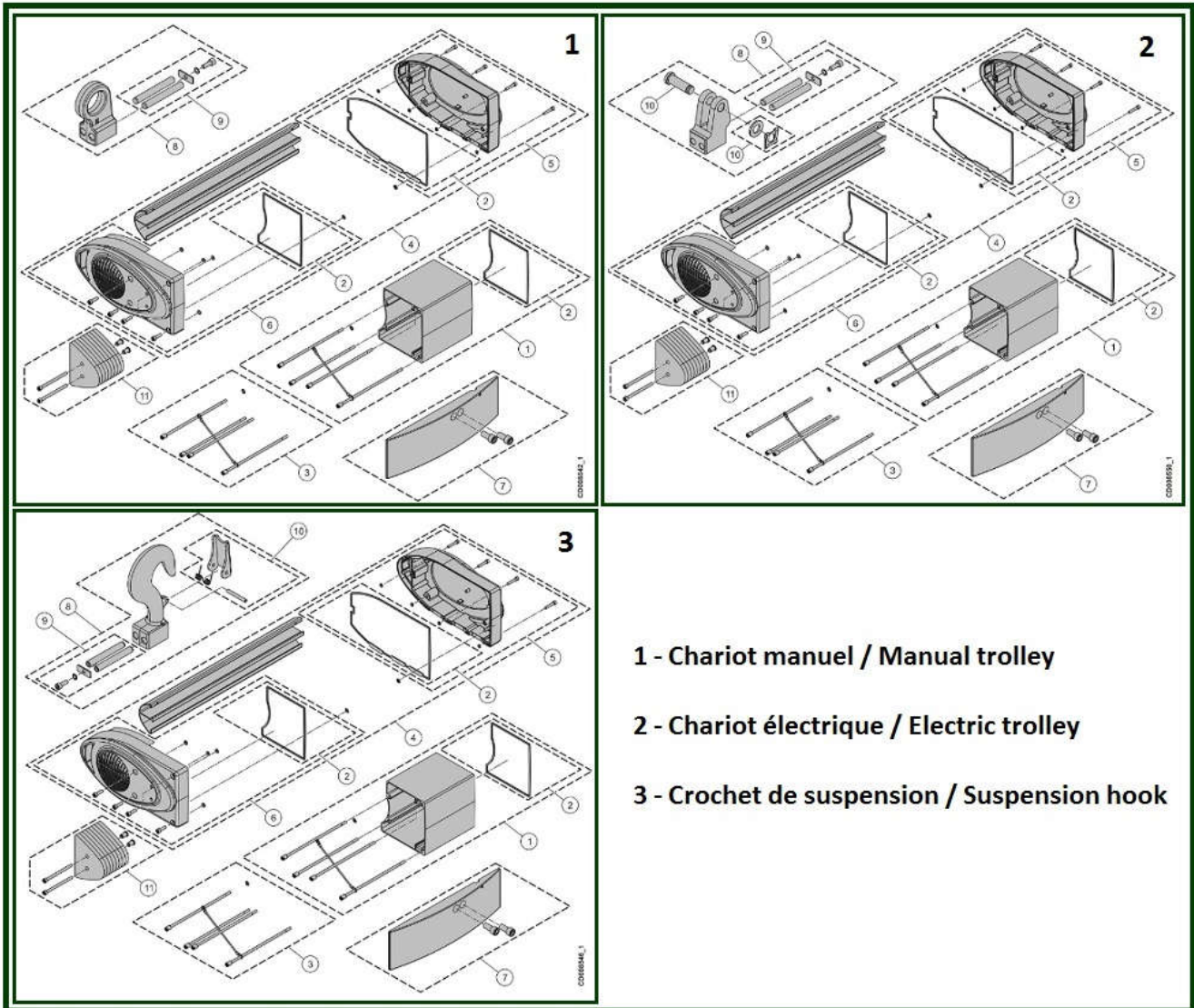
- 6.1) 2 buttons
- 6.2) 4 buttons
- 6.3) 6 buttons

6.4) Push button controller - From september 2014

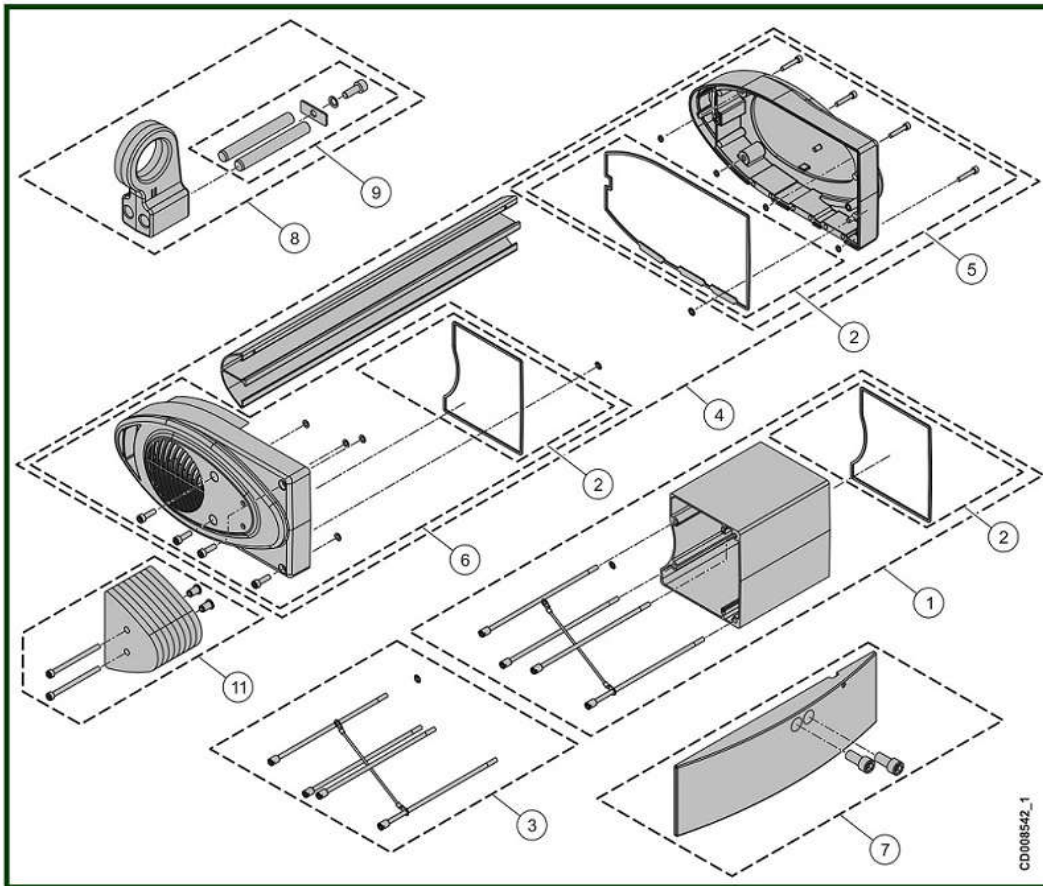
7) NORMAL HEADROOM TROLLEY

- 7.1) C1 trolley - 0 to 1000 kg - Coupled version
- 7.2) C2 trolley - 1001 to 2000 kg - Coupled version

1) Frame

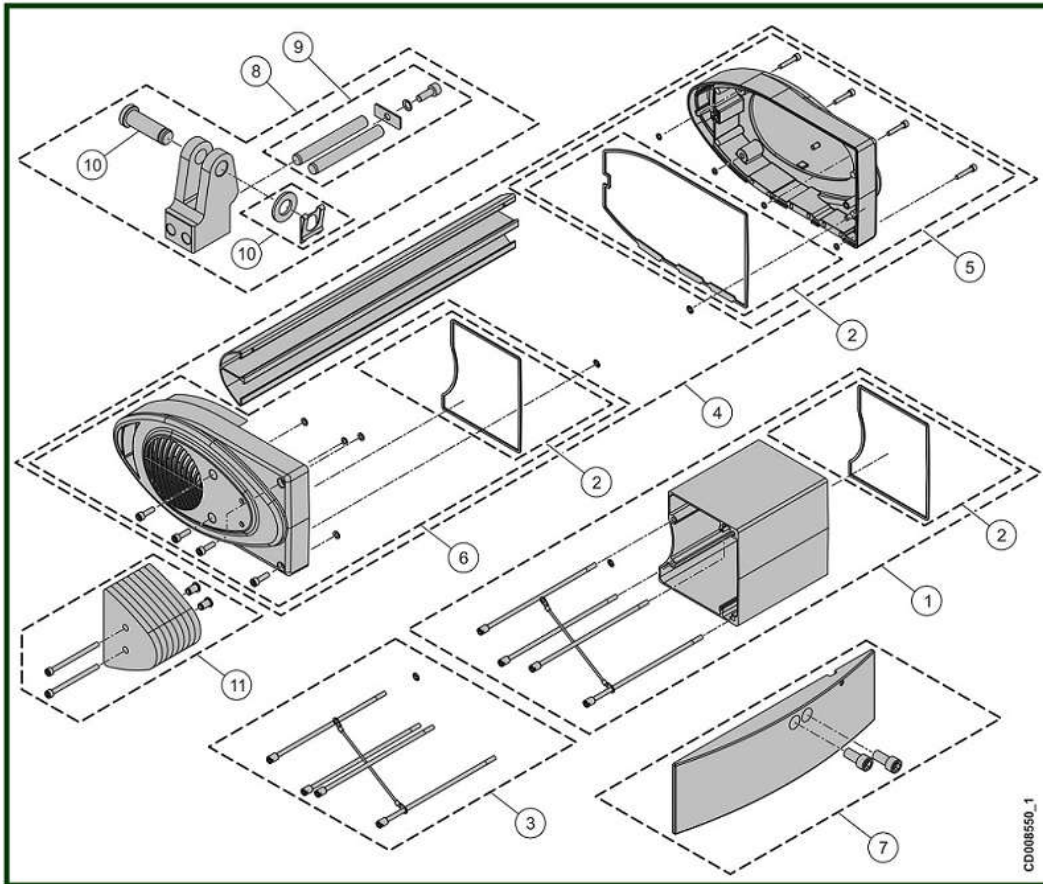


1.1) Manual trolley



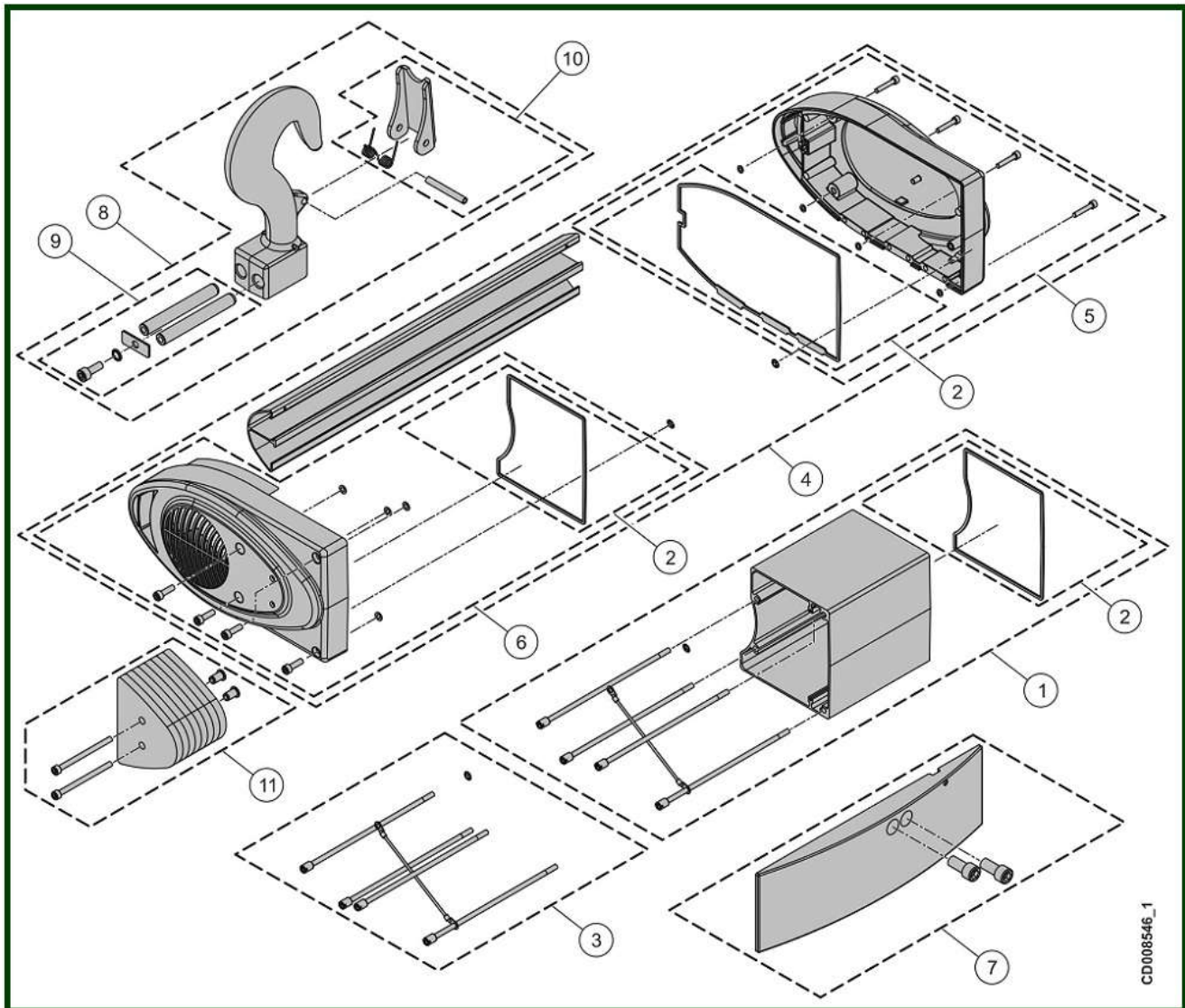
| item | reference | description | observation | Quantity |
|------|---------------------------|------------------------|--|----------|
| 1 | VT0008946 | Housing module | Fin De Course-Doubles freins Gear Limit Switch-Double brakes | 1 |
| 1 | VT0008398 | Housing module | Standard | 1 |
| 2 | VT0009308 | Sealings set | | 1 |
| 3 | VT0006911 | Screws set | | 1 |
| 4 | VT0008400 | Cover | Fin De Course / Gear Limit Switch | 1 |
| 4 | VT0008399 | Cover | Standard | 1 |
| 5 | VT0008401 | Cover set - Brake side | Standard + Fin De Course-Double freins Standard + Gear Limit Switch-Double brakes | 1 |
| 6 | VT0008962 | Cover set - Motor side | Fin De Course-Double freins Gear Limit Switch-Double brakes | 1 |
| 6 | VT0008402 | Cover set - Motor side | Standard | 1 |
| 7 | VT0008403 | Counterweight | | 1 |
| 8 | VT0008765 | Coupling part | Chariot manuel / Manual trolley | 1 |
| 9 | VT0008405 | Shaft set | | 1 |
| | VT0009153 | Counterweight set | | 1 |
| | VT0009152 | Counterweight set | | 1 |
| | VT0006026 | Identification plate | Demande de numéro de série /Serial number request | 1 |
| | VT0009151 | Rain cover | Fin De Course-Doubles freins Gear Limit Switch-Double brakes | 1 |
| | VT0008046 | Rain cover | Standard | 1 |

1.2) Electric trolley



| item | reference | description | observation | Quantity |
|------|---------------------------|------------------------|--|----------|
| 1 | VT0008946 | Housing module | Fin De Course-Doubles freins Gear Limit Switch-Double brakes | 1 |
| 1 | VT0008398 | Housing module | Standard | 1 |
| 2 | VT0009308 | Sealings set | | 1 |
| 3 | VT0006911 | Screws set | | 1 |
| 4 | VT0008400 | Cover | Fin De Course / Gear Limit Switch | 1 |
| 5 | VT0008401 | Cover set - Brake side | Standard + Fin De Course-Double freins Standard + Gear Limit Switch-Double brakes | 1 |
| 6 | VT0008962 | Cover set - Motor side | Fin De Course-Double freins Gear Limit Switch-Double brakes | 1 |
| 7 | VT0008403 | Counterweight | | 1 |
| 8 | VT0008404 | Upper hook | | 1 |
| 9 | VT0008405 | Shaft set | | 1 |
| 10 | VT0005903 | Safety latch | | 1 |
| | VT0009153 | Counterweight set | | 1 |
| | VT0009152 | Counterweight set | | 1 |
| | VT0006026 | Identification plate | Demande de numéro de série /Serial number request | 1 |
| | VT0009151 | Rain cover | Fin De Course-Doubles freins Gear Limit Switch-Double brakes | 1 |
| | VT0008406 | Rain cover | Standard | 1 |

1.3) Suspension hook

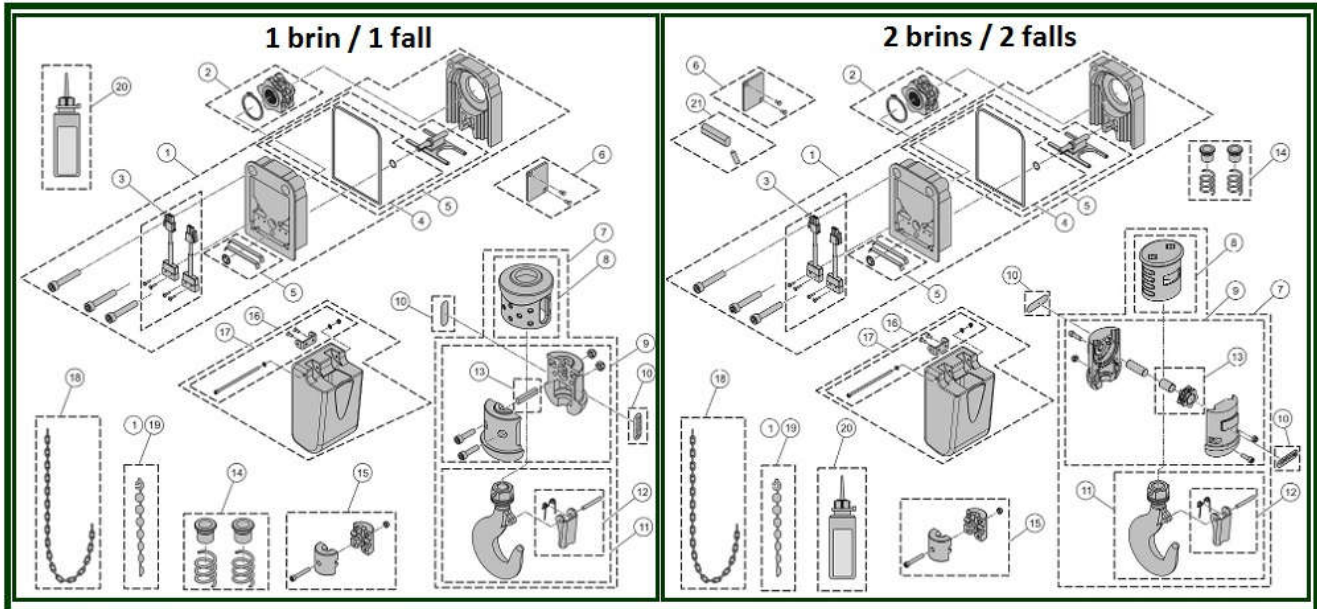


CD008546_1

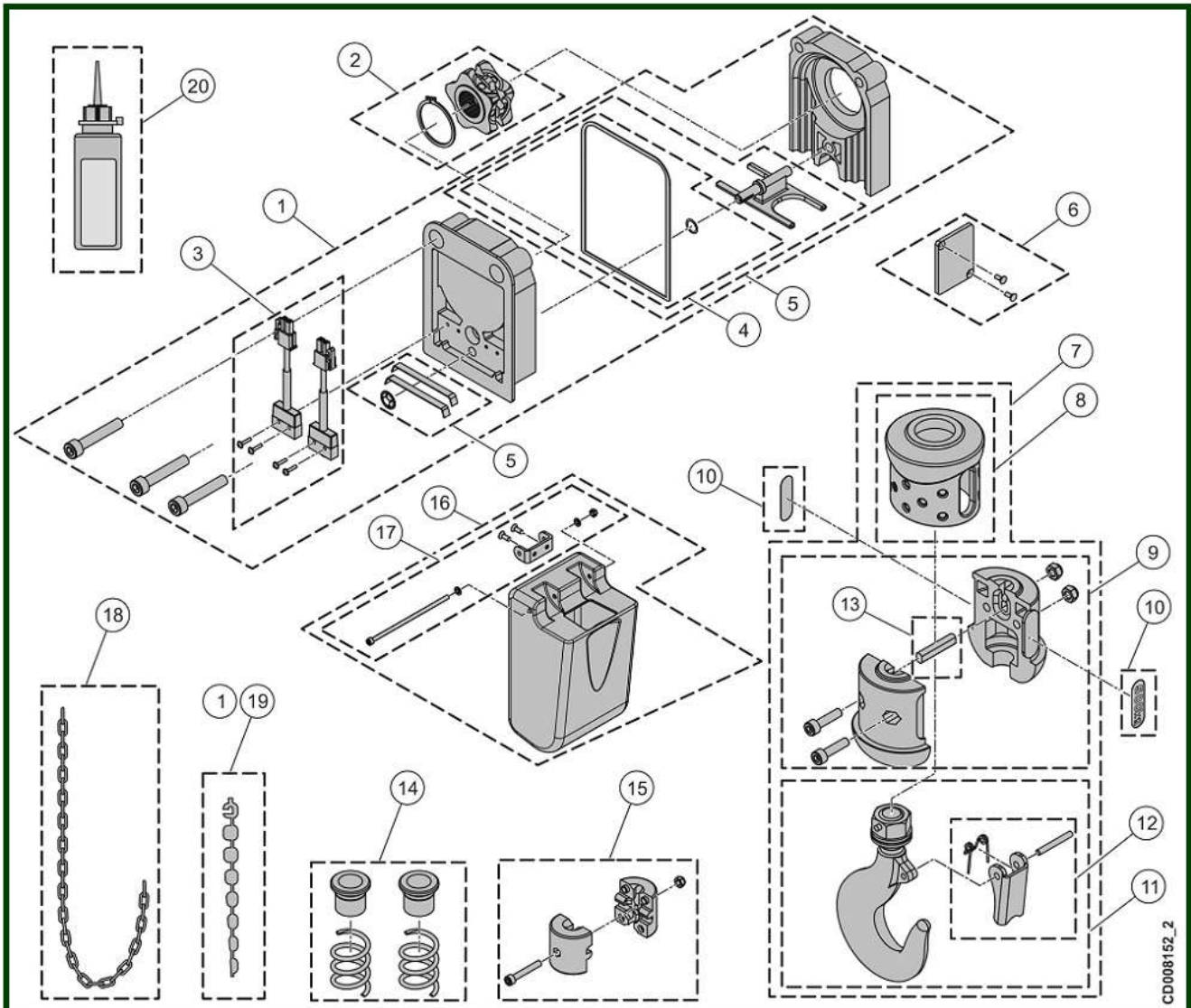
| item | reference | description | observation | Quantity |
|------|---------------------------|------------------------|--|----------|
| 1 | VT0008946 | Housing module | Fin De Course-Doubles freins Gear Limit Switch-Double brakes | 1 |
| 1 | VT0008398 | Housing module | Standard | 1 |
| 2 | VT0009308 | Sealings set | | 1 |
| 3 | VT0006911 | Screws set | | 1 |
| 4 | VT0008400 | Cover | Fin De Course / Gear Limit Switch | 1 |
| 4 | VT0008399 | Cover | Standard | 1 |
| 5 | VT0008401 | Cover set - Brake side | Standard + Fin De Course-Double freins Standard + Gear Limit Switch-Double brakes | 1 |
| 6 | VT0008962 | Cover set - Motor side | Fin De Course-Double freins Gear Limit Switch-Double brakes | 1 |
| 6 | VT0008402 | Cover set - Motor side | Standard | 1 |
| 7 | VT0008403 | Counterweight | | 1 |
| 8 | VT0008404 | Upper hook | | 1 |
| 9 | VT0008405 | Shaft set | | 1 |
| 10 | VT0005903 | Safety latch | | 1 |

| | | | | |
|--|------------------|----------------------|---|---|
| | <u>VT0009152</u> | Counterweight set | | 1 |
| | <u>VT0009153</u> | Counterweight set | | 1 |
| | <u>VT0006026</u> | Identification plate | Demande de numéro de série /Serial number request | 1 |
| | <u>VT0009151</u> | Rain cover | Fin De Course-Doubles freins Gear Limit Switch-Double brakes | 1 |
| | <u>VT0008406</u> | Rain cover | Standard | 1 |

2) Chain guide



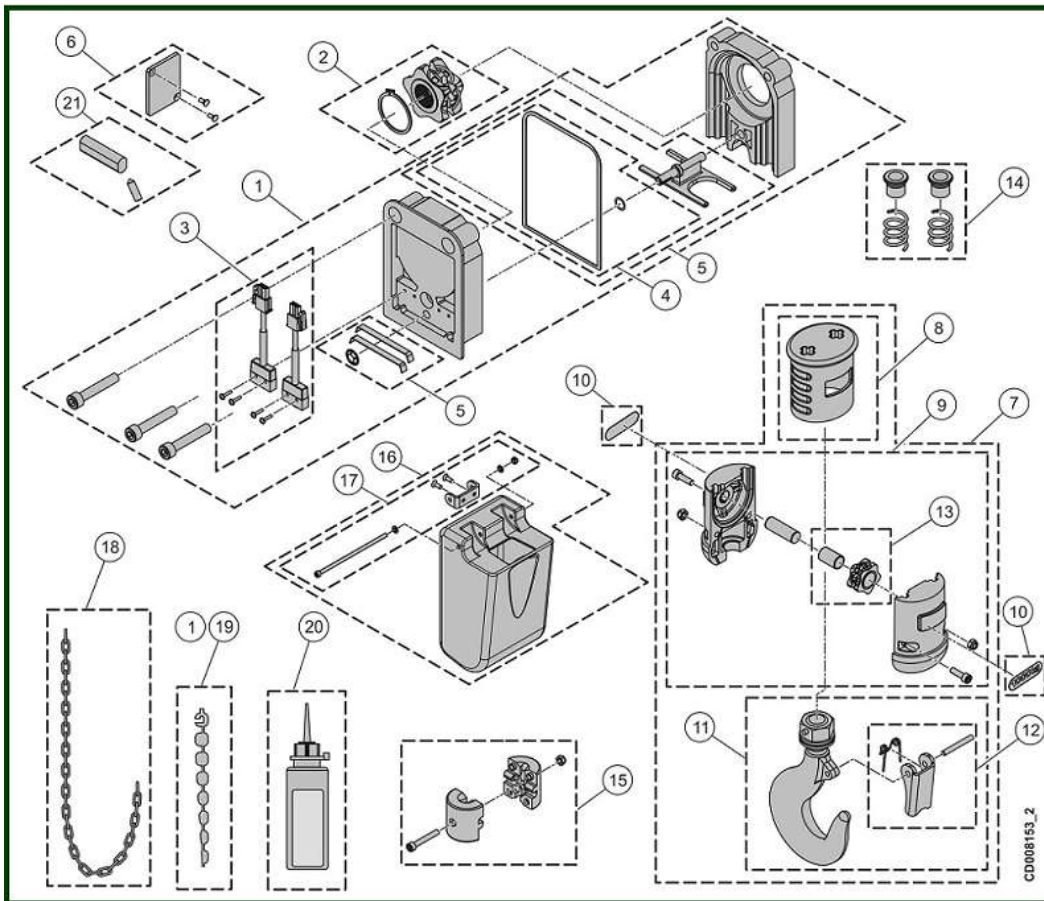
2.1) Chain guide - 1 fall



| item | reference | description | observation | Quantity |
|------|-----------|--------------------------|-------------------------------------|----------|
| 1 | VT0004875 | Chain guide - Chain 5x14 | Version inversée / Inverted version | 1 |
| 2 | VT0005106 | Chain sprocket | | 1 |
| 3 | VT0004876 | Switch set | | 1 |
| 4 | VT0004871 | Sealing set | | 1 |
| 5 | VT0004872 | Limit switch activator | | 1 |
| 6 | VT0008483 | End cap | Guide-chaîne / Chain guide | 1 |
| 7 | VT0008562 | Complete hook - 1 fall | DH-Crochet standard / Standard hook | 1 |
| 8 | VT0008484 | Rubber chain stop | | 1 |
| 9 | VT0004873 | Half casing set | Crochet standard / Standard hook | 1 |
| 10 | VT0006340 | Set of 10 stickers load | 250 Kg | 1 |
| 10 | VT0006341 | Set of 10 stickers load | 320 Kg | 1 |
| 10 | VT0006041 | Set of 10 stickers load | 500 Kg | 1 |
| 10 | VT0006342 | Set of 10 stickers load | 630 Kg | 1 |
| 11 | VT0004975 | Standard hook | | 1 |
| 12 | VT0005901 | Standard safety latch | | 1 |
| 13 | VT0006240 | Shaft | | 1 |

| | | | | |
|----|------------------|----------------------------------|--|---|
| 14 | <u>VT0008838</u> | Spring set | | 1 |
| 15 | <u>VT0004877</u> | Chain stop | | 1 |
| 16 | <u>VT0008832</u> | Chain bucket | 6 m pour / for 5x14 10 m pour / for 4x11 | 1 |
| 16 | <u>VT0008834</u> | Chain bucket | 16 m pour / for 5x14 | 1 |
| 16 | <u>VT0008835</u> | Chain bucket | 25 m pour / for 5x14 40 m pour / for 4x11 | 1 |
| 17 | <u>VT0008833</u> | Fixing set of chain bucket | | 1 |
| 18 | <u>VT0005109</u> | Galvanized standard chain - 5x14 | | 1 |
| 19 | <u>VT0005574</u> | Chain fitting tool | | 1 |
| 20 | <u>VT0006025</u> | Oil cane | CCGCCHCM-01 | 1 |

2.2) Chain guide - 2 falls



| item | reference | description | observation | Quantity |
|------|---------------------------|---------------------------------|---|----------|
| 1 | VT0004875 | Chain guide - Chain 5x14 | Version inversée / Inverted version | 1 |
| 2 | VT0005106 | Chain sprocket | | 1 |
| 3 | VT0004876 | Switch set | | 1 |
| 4 | VT0004871 | Sealing set | | 1 |
| 5 | VT0004872 | Limit switch activator | | 1 |
| 6 | VT0008483 | End cap | Guide-chaîne / Chain guide | 1 |
| 7 | VT0008567 | Complete hook - 2 falls | RSN05 Crochet standard+ moufle standard Standard hook + Standard hook block | 1 |
| 8 | VT0008568 | Rubber chain stop | | 1 |
| 9 | VT0008624 | Half casing set | Crochet standard+ moufle standard Standard hook + Standard hook block | 1 |
| 10 | VT0008944 | Set of 10 stickers load - Hoist | 500 Kg | 1 |
| 10 | VT0008945 | Set of 10 stickers load - Hoist | 1000 Kg | 1 |
| 11 | VT0005861 | Standard hook | | 1 |
| 12 | VT0005903 | Safety latch | | 1 |
| 13 | VT0008659 | Return sprocket | | 1 |
| 14 | VT0008838 | Spring set | | 1 |
| 16 | VT0008832 | Chain bucket | 6 m pour / for 5x14 10 m pour / for 4x11 | 1 |
| 16 | VT0008834 | Chain bucket | 16 m pour / for 5x14 | 1 |
| 16 | VT0008835 | Chain bucket | 25 m pour / for 5x14 40 m pour / for 4x11 | 1 |
| 17 | VT0008833 | Fixing set of chain bucket | | 1 |

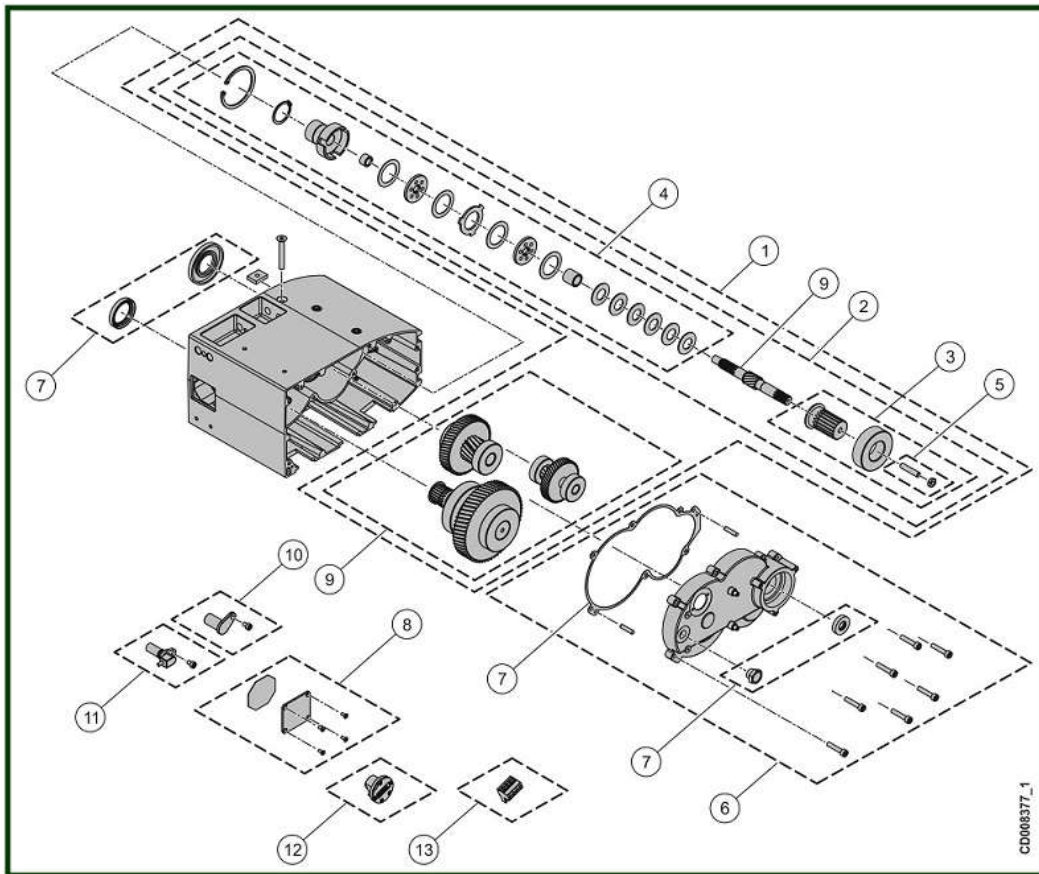
| | | | | |
|----|------------------|----------------------------------|-------------|---|
| 18 | <u>VT0005109</u> | Galvanized standard chain - 5x14 | | 1 |
| 19 | <u>VT0005574</u> | Chain fitting tool | | 1 |
| 20 | <u>VT0006025</u> | Oil cane | CCGCCHCM-01 | 1 |
| 21 | <u>VT0008662</u> | Fixing module | | 1 |

2.3) Precut chain

| item | reference | description | observation | Quantity |
|------|-----------------|-------------------------------|-------------|----------|
| | <u>53020218</u> | Galvanized load chain 5x14 | 3,5 m | 1 |
| | <u>53020220</u> | Galvanized load chain 5x14 | 5 m | 1 |
| | <u>53020221</u> | Galvanized load chain 5x14 | 10 m | 1 |

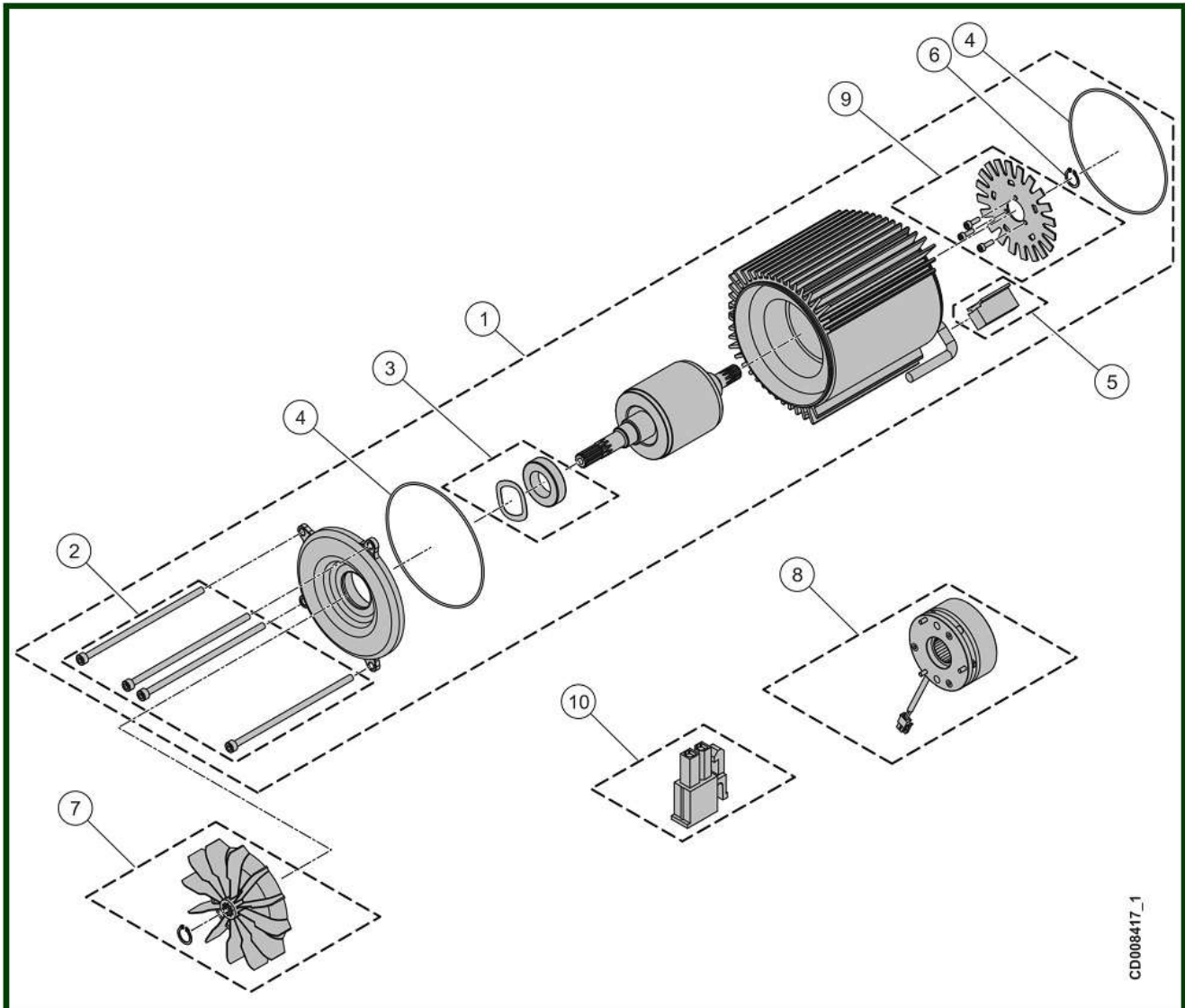
3) Gear - Single brake

Double freins / Double brakes - NOT POSSIBLE



| item | reference | description | observation | Quantity |
|------|---------------------------|----------------------------|--|----------|
| 1 | VT0008677 | Gear pinion set | 8m/min | 1 |
| 1 | VT0008678 | Gear pinion set | 10m/min | 1 |
| 2 | VT0008673 | Gear shaft with clutch | VR5F Vario : 10m/min+20m/min-Simple frein/Single brake VR5F Standard+VR05F GLS : 8m/min+10m/min- Simple frein/Single brake VR5F Monophasé/Single phase : 8m/min-Simple frein/Single brake | 1 |
| 3 | VT0004886 | Coupling - Side brake | | 1 |
| 4 | VT0008672 | Clutch with retaining ring | | 1 |
| 5 | VT0006107 | Screws set | | 1 |
| 6 | VT0009408 | Gear Housing set | | 1 |
| 7 | VT0009325 | Sealing set | | 1 |
| 8 | VT0008993 | Cap | | 1 |
| 9 | VT0006559 | Gear assembly | 20m/min | 1 |
| 9 | VT0006558 | Gear assembly | 10m/min | 1 |
| 10 | VT0007754 | Encoder | Vitesse moteur / Motor speed | 1 |
| 11 | VT0007755 | Encoder | Vitesse arbre GV / Shaft speed | 1 |
| 12 | VT0006561 | Load sensor | | 1 |
| 13 | VT0006562 | Male plug | | 1 |

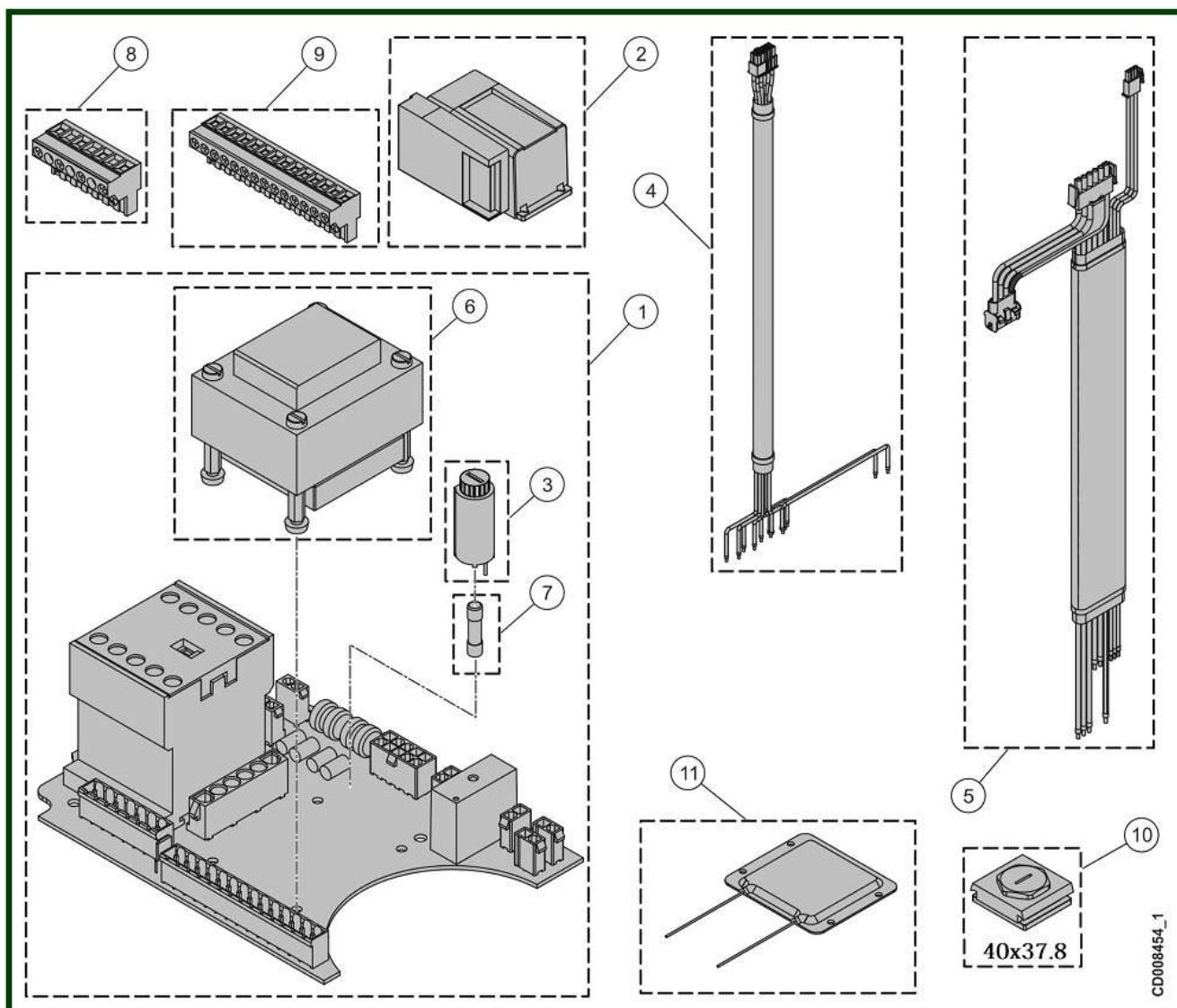
4) Motor



CD008417_1

| item | reference | description | observation | Quantity |
|------|---------------------------|-------------------|---------------|----------|
| 1 | VT0008994 | Motor | 380-415V:50Hz | 1 |
| 2 | VT0008704 | Screws set | | 1 |
| 3 | VT0006569 | Bearing set | | 1 |
| 4 | VT0008705 | Sealings set | | 1 |
| 5 | VT0004976 | Rubber | | 1 |
| 6 | VT0004977 | Retaining ring | | 1 |
| 7 | VT0004891 | fan set | | 1 |
| 8 | VT0004979 | Single brake | 190-400V | 1 |
| 9 | VT0009073 | Encoder wheel set | 20 pts | 1 |
| 10 | VT0007297 | Connector | | 1 |

5) Electrical parts

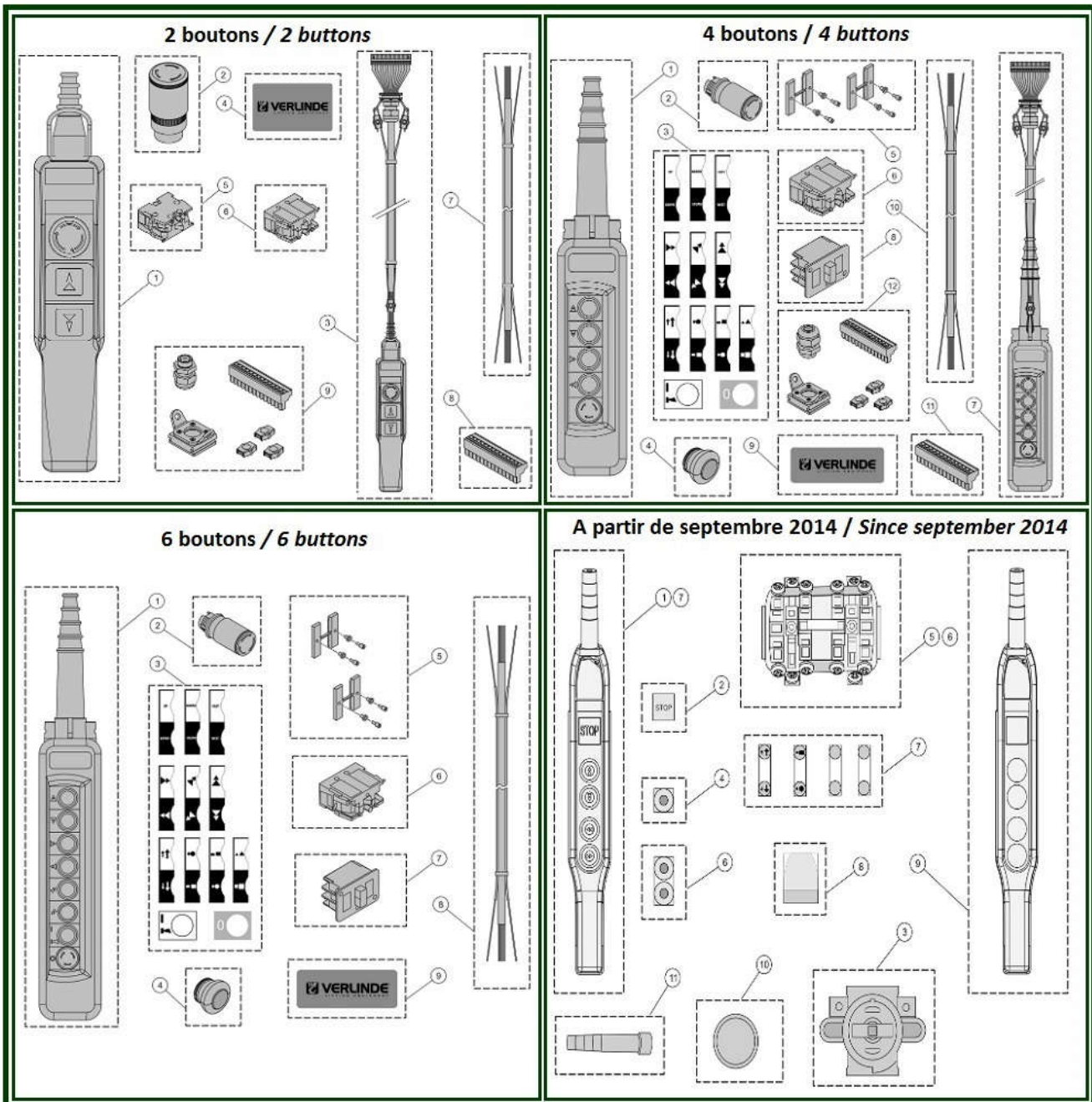


CD008454_1

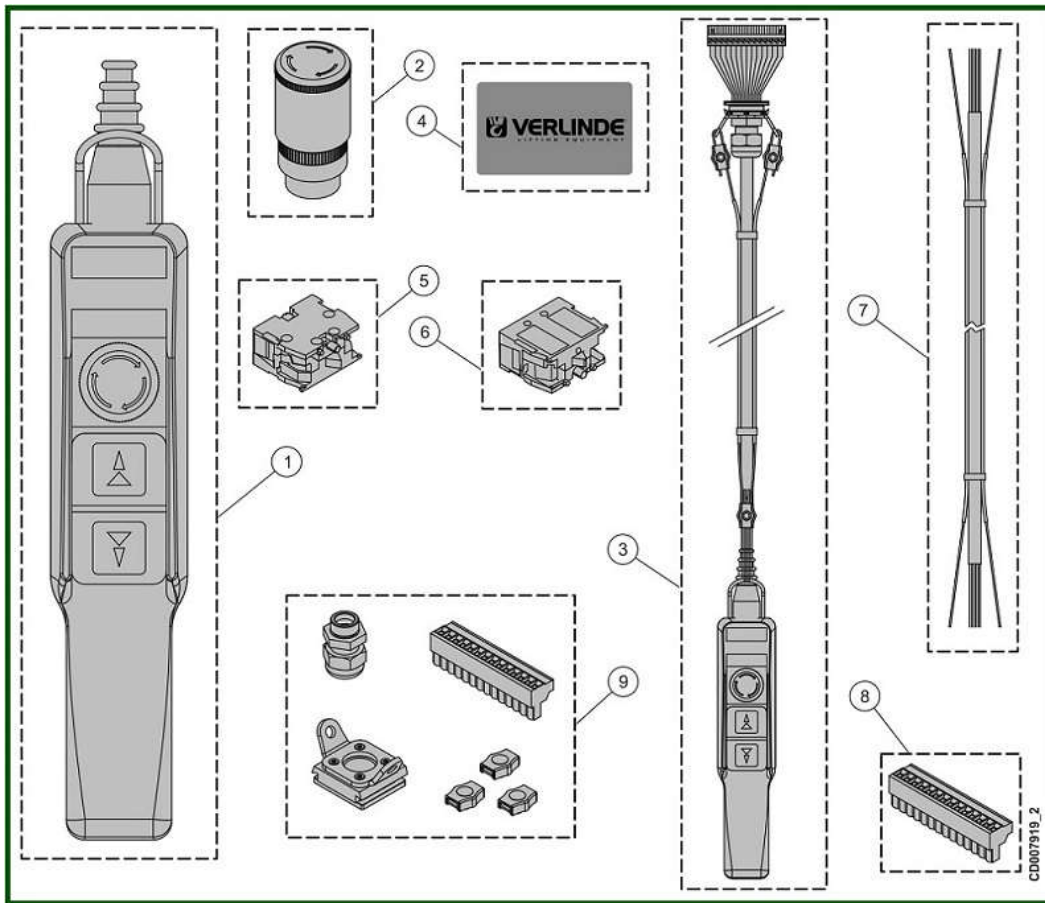
| item | reference | description | observation | Quantity |
|------|---------------------------|-------------------------------------|---------------------------|----------|
| 1 | VT0007269 | Electrical board | 380V-415V / 48V - 50/60HZ | 1 |
| 1 | VT0007270 | Electrical board | 380V-415V / 115V | 1 |
| 1 | VT0007273 | Electrical board | 460V / 48V | 1 |
| 1 | VT0007274 | Electrical board | 460V / 110V - 50/60Hz | 1 |
| 2 | VT0007276 | Inverter | 208V-240V / 50/60Hz | 1 |
| 2 | VT0007275 | Inverter | 380V-480V - 50/60Hz | 1 |
| 3 | VT0006191 | Fuse base | | 1 |
| 4 | VT0007277 | Wire harness - Plug control voltage | | 1 |
| 5 | VT0006757 | Wire harness - Plug power voltage | | 1 |
| 6 | VT0004953 | Transformer | 400V / 48V - 50/60Hz | 1 |
| 6 | VT0004951 | Transformer | 400V / 115V - 50/60Hz | 1 |
| 6 | VT0006437 | Transformer | 460V / 48V | 1 |
| 6 | VT0006440 | Transformer | 460V / 110V 50/60Hz | 1 |
| 7 | VT0004915 | Fuse set | 48V | 1 |
| 7 | VT0004955 | Fuse set | 115V | 1 |

| | | | | |
|----|------------------|------------------------------|-----|---|
| 8 | <u>VT0005107</u> | Connector | 4P | 1 |
| 9 | <u>VT0005108</u> | Connector | 14P | 1 |
| 10 | <u>VT0006089</u> | End cap - Square cable entry | | 1 |
| 11 | <u>VT0009081</u> | Resistor | | 1 |

6) Push button controller

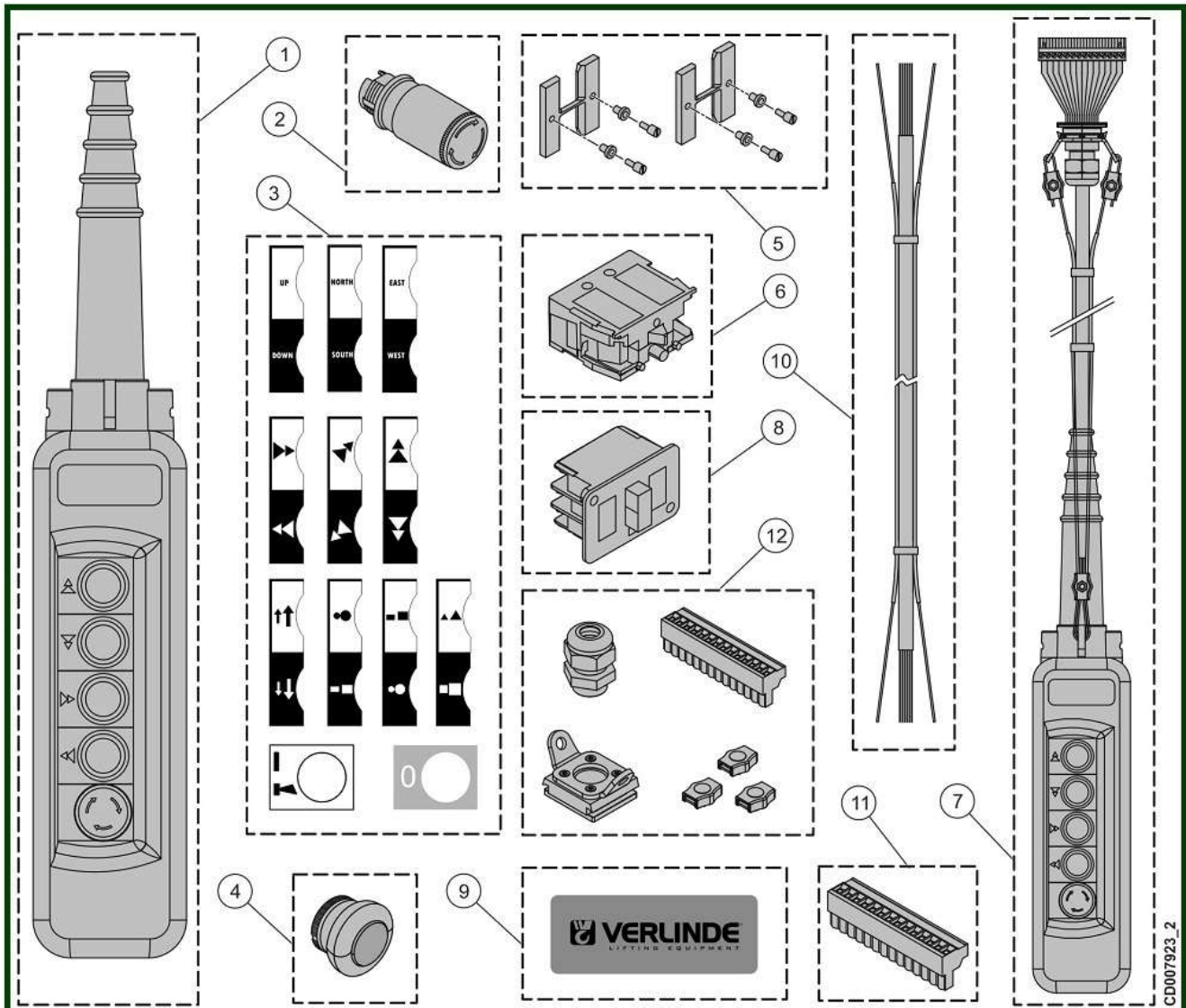


6.1) 2 buttons



| item | reference | description | observation | Quantity |
|------|-----------|-----------------------------|-----------------------------|----------|
| 1 | VT0005061 | Pendant controller - 2HS+ES | Jaune / Yellow | 1 |
| 2 | VT0006547 | Emergency push button | | 1 |
| 3 | VT0005612 | Pendant with cable - 2HS+ES | 2,2 m - Jaune / Yellow - CE | 1 |
| 3 | VT0005613 | Pendant with cable - 2HS+ES | 2,7 m - Jaune / Yellow - CE | 1 |
| 3 | VT0005614 | Pendant with cable - 2HS+ES | 3,2 m - Jaune / Yellow - CE | 1 |
| 3 | VT0005615 | Pendant with cable - 2HS+ES | 3,7 m - Jaune / Yellow - CE | 1 |
| 3 | VT0005616 | Pendant with cable - 2HS+ES | 4,2 m - Jaune / Yellow - CE | 1 |
| 3 | VT0005617 | Pendant with cable - 2HS+ES | 4,7 m - Jaune / Yellow - CE | 1 |
| 3 | VT0005618 | Pendant with cable - 2HS+ES | 5,2 m - Jaune / Yellow - CE | 1 |
| 3 | VT0005619 | Pendant with cable - 2HS+ES | 5,7 m - Jaune / Yellow - CE | 1 |
| 4 | VT0007837 | Branding sticker | VERLINDE | 1 |
| 5 | VT0005064 | Contact block | ZB2-BE101 | 1 |
| 6 | VT0005066 | Contact block | ZB2-BE102 | 1 |
| 7 | VT0006746 | Cable | 5x1,5 mm2 - CE | 1 |
| 8 | VT0005108 | Connector | 14P | 1 |
| 9 | VT0007583 | Pendant plug set | ISO | 1 |

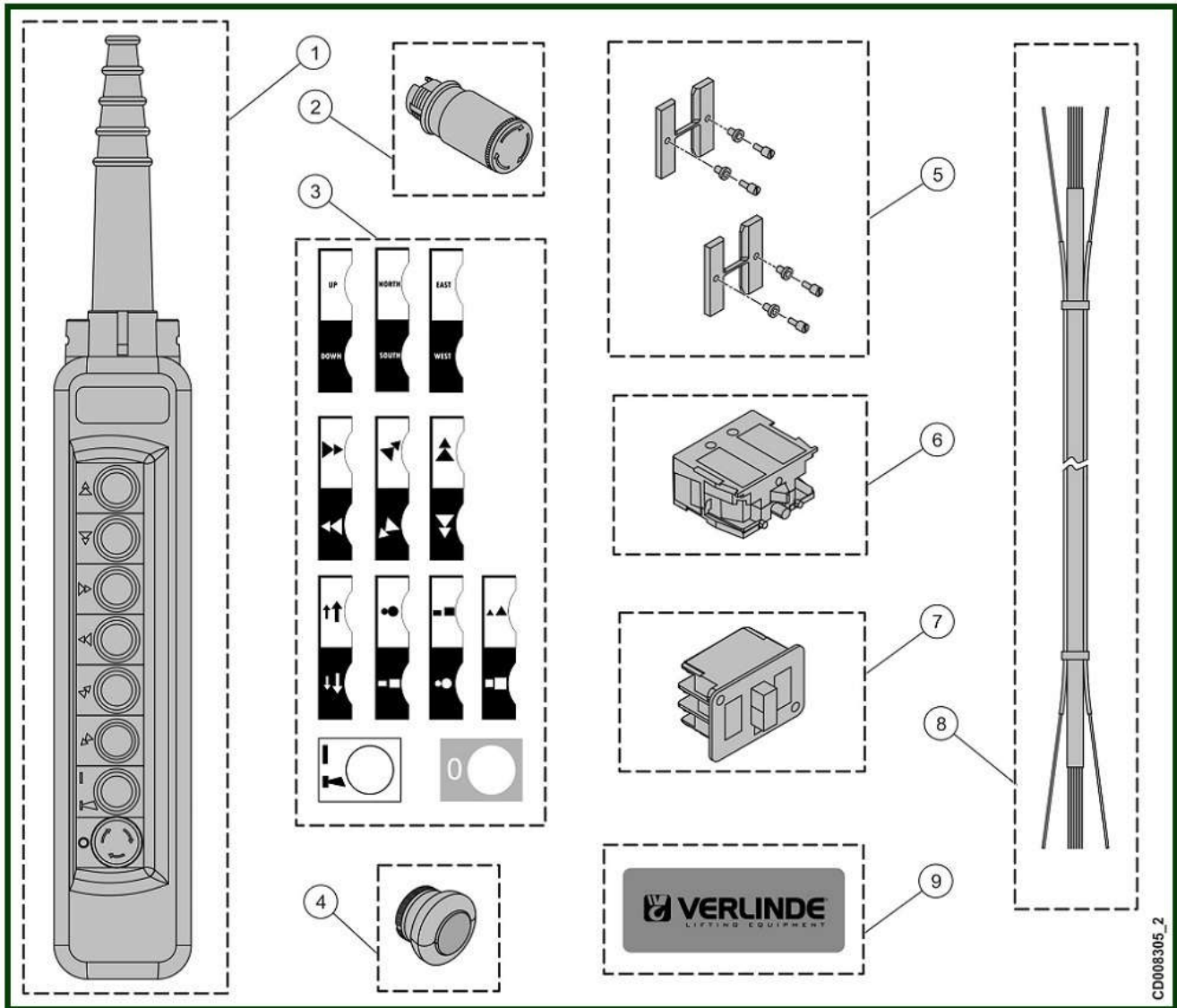
6.2) 4 buttons



| item | reference | description | observation | Quantity |
|------|------------------|----------------------------------|------------------------|----------|
| 1 | <u>VT0005055</u> | Pendant controller 2HS+2TS+ES | Jaune / Yellow | 1 |
| 2 | <u>VT0006548</u> | Mushroom push button | ZA2BS834 | 1 |
| 3 | <u>VT0007882</u> | Set of direction symbols | | 1 |
| 4 | <u>VT0005063</u> | Push button | | 1 |
| 5 | <u>VT0005072</u> | Mechanical interlock | | 2 |
| 6 | <u>VT0005066</u> | Contact block | ZB2-BE 102 | 1 |
| 7 | <u>VT0006059</u> | Pendant with cable 2HS+2TS+ES | 4,2 m - Jaune / Yellow | 1 |
| 7 | <u>VT0006058</u> | Pendant with cable 2HS+2TS+ES | 3,7 m - Jaune / Yellow | 1 |
| 7 | <u>VT0006062</u> | Pendant with cable 2HS+2TS+ES | 5,7 m - Jaune / Yellow | 1 |
| 7 | <u>VT0006055</u> | Pendant with cable 2HS+2TS+ES | 2,2 m - Jaune / Yellow | 1 |
| 7 | <u>VT0006056</u> | Pendant with cable 2HS+2TS+ES | 2,7 m - Jaune / Yellow | 1 |

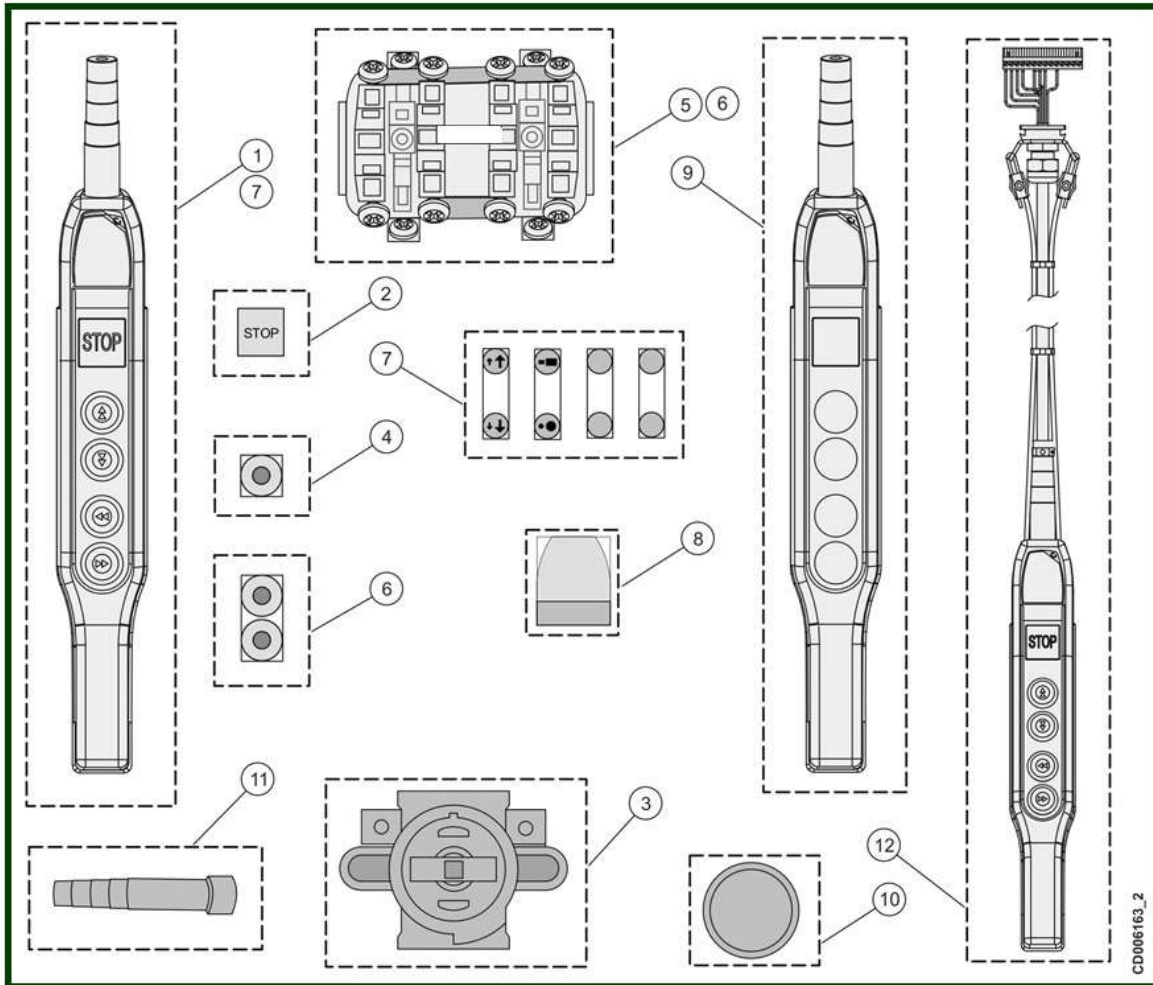
| | | | | |
|----|------------------|----------------------------------|--------------------------|---|
| 7 | <u>VT0006057</u> | Pendant with cable 2HS+2TS+ES | 3,2 m - Jaune / Yellow | 1 |
| 7 | <u>VT0006061</u> | Pendant with cable 2HS+2TS+ES | 5,2 m - Jaune / Yellow | 1 |
| 7 | <u>VT0006060</u> | Pendant with cable 2HS+2TS+ES | 4,7 m - Jaune / Yellow | 1 |
| 8 | <u>VT0007879</u> | Contact block | XENG1191 | 1 |
| 9 | <u>VT0007880</u> | Branding sticker | VERLINDE | 1 |
| 10 | <u>VT0006747</u> | Cable | 8x1,5mm2 - mètre / meter | 1 |
| 11 | <u>VT0005108</u> | Connector | 14P | 1 |
| 12 | <u>VT0007583</u> | Pendant plug set | ISO | 1 |

6.3) 6 buttons



| item | reference | description | observation | Quantity |
|------|---------------------------|--|---------------------------------------|----------|
| 1 | VT0005058 | Pendant controller 2HS+2TS+2LS+ON-OFF | Jaune / Yellow | 1 |
| 2 | VT0006548 | Mushroom push button | ZA2BS834 | 1 |
| 3 | VT0007882 | Set of direction symbols | | 1 |
| 4 | VT0005063 | Push button | | 1 |
| 5 | VT0005072 | Mechanical interlock | | 2 |
| 6 | VT0005066 | Contact block | ZB2-BE 102 | 1 |
| 7 | VT0007879 | Contact block | XENG1191 | 1 |
| 8 | VT0008073 | Cable | 16x1.52mm ² - mètre/metter | 1 |
| 8 | VT0008074 | Cable | 20x1.5mm ² - mètre/metter | 1 |
| 9 | VT0007880 | Branding sticker | VERLINDE | 1 |
| - | VT0005108 | Connector | 14P | 1 |

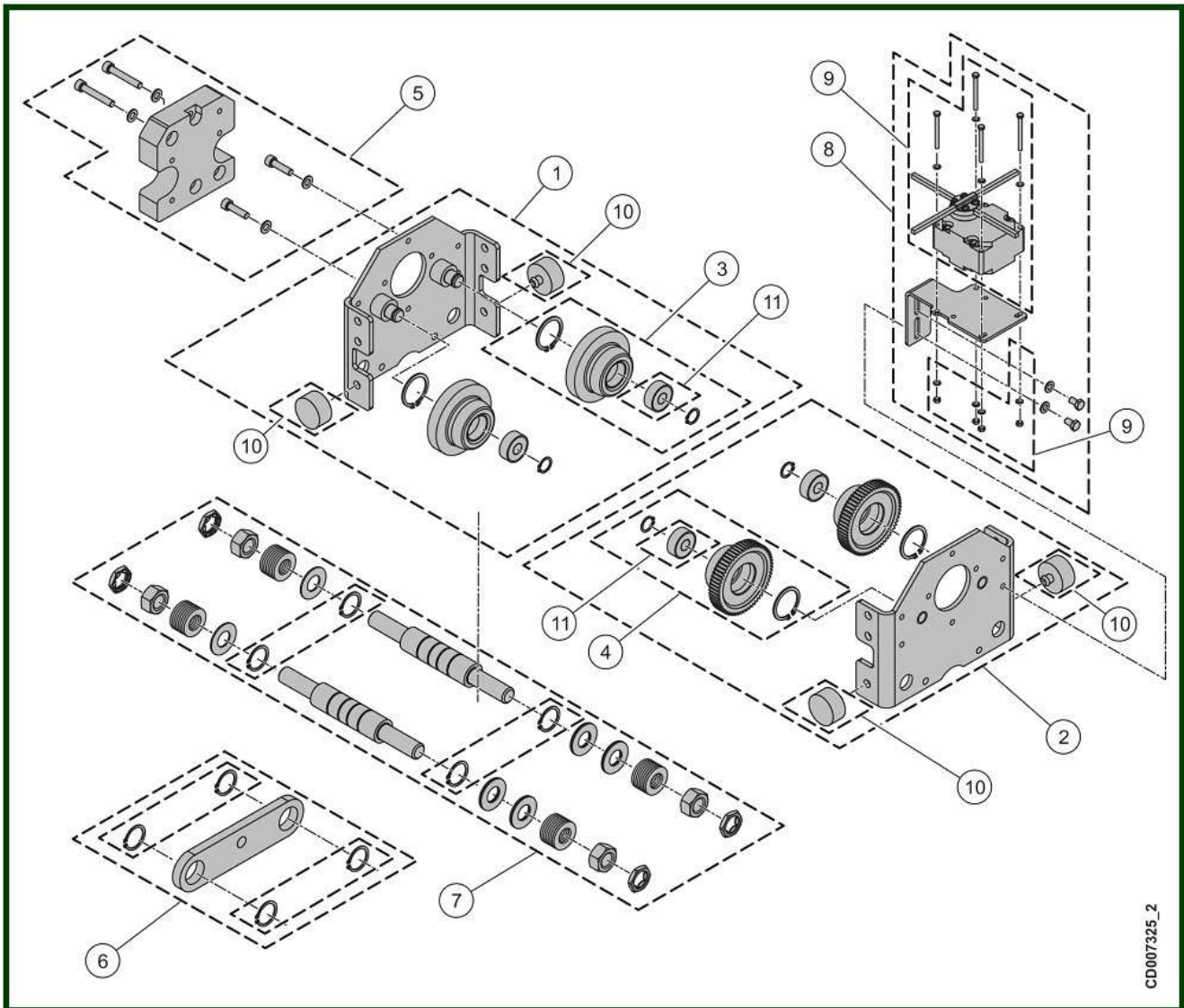
6.4) Push button controller - From september 2014



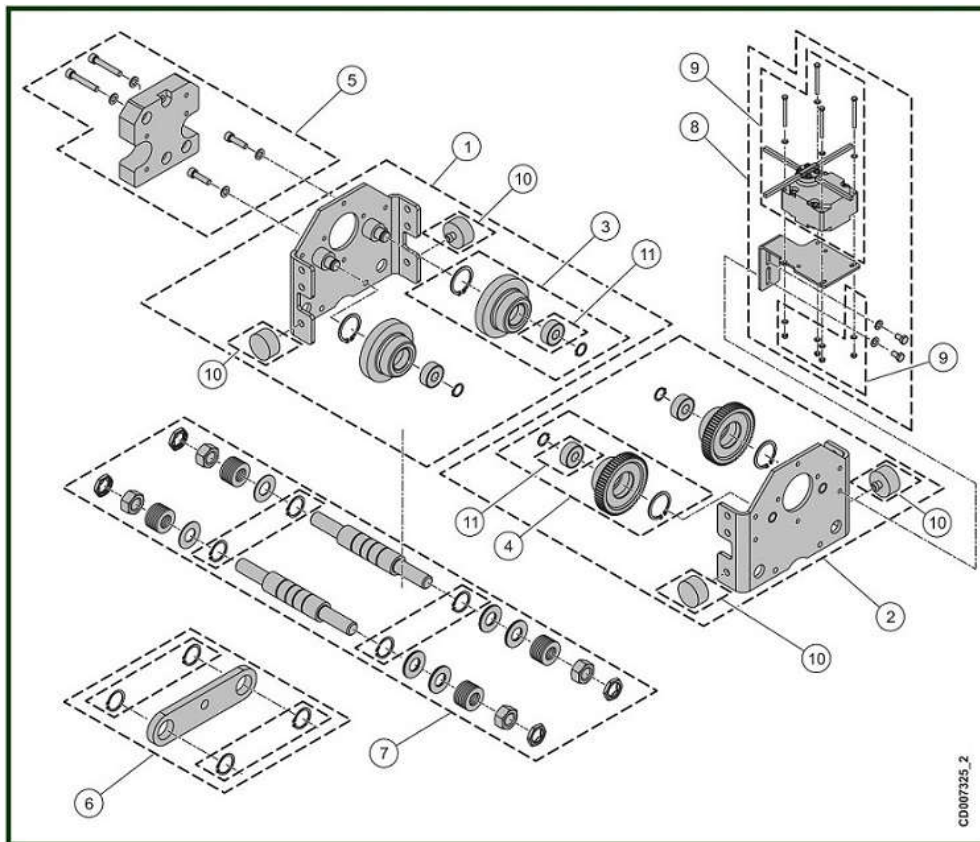
| item | reference | description | observation | Quantity |
|------|-----------|---|--|----------|
| 1 | VT0006495 | Push buttons box - 2 HS+2TS+ES | Jaune - 4 boutons / Yellow - 4 buttons | 1 |
| 1 | VT0006493 | Push buttons box - 2 HS+ES | Jaune - 2 boutons / Yellow - 2 buttons | 1 |
| 2 | VT0006509 | Emergency push button | | 1 |
| 3 | VT0006510 | Emergency stop contact block | | 1 |
| 4 | VT0006511 | Rubber push button | | 1 |
| 5 | VT0006513 | Contact block | 2 vitesses / 2 steps | 1 |
| 6 | VT0006514 | Set of 2 push buttons + contact block | | 1 |
| 7 | VT0006754 | Stickers - Direction symbols | ANSI | 1 |
| 7 | VT0006752 | Stickers - Direction symbols | DIN | 1 |
| 7 | VT0006753 | Stickers - Direction symbols | FIN-SEN | 1 |
| 8 | VT0006496 | Stickers - Brand | VERLINDE | 1 |
| 9 | VT0006515 | Pendant housing | Jaune - 2 boutons / Yellow - 2 buttons | 1 |
| 9 | VT0006518 | Pendant housing | Jaune - 4 boutons / Yellow - 4 buttons | 1 |
| 10 | VT0006517 | Magnet | | 1 |
| 10 | VT0006516 | Rubber part | | 1 |
| 11 | VT0007032 | Cable bushing | | 1 |
| 12 | VT0006958 | Push buttons box + cable + plug - 2 HS+ES | 2,20 m - Jaune/yellow - DIN | 1 |
| 12 | VT0006951 | Push buttons box + cable + plug - 2 HS+ES | 2,70 m - Jaune/yellow - DIN | 1 |

| | | | | |
|----|------------------|---|-----------------------------|---|
| 12 | <u>VT0006952</u> | Push buttons box + cable + plug - 2 HS+ES | 3,20 m - Jaune/yellow - DIN | 1 |
| 12 | <u>VT0006953</u> | Push buttons box + cable + plug - 2 HS+ES | 3,70 m - Jaune/yellow - DIN | 1 |
| 12 | <u>VT0006954</u> | Push buttons box + cable + plug - 2 HS+ES | 4,20 m - Jaune/yellow - DIN | 1 |
| 12 | <u>VT0006955</u> | Push buttons box + cable + plug - 2 HS+ES | 4,70 m - Jaune/yellow - DIN | 1 |
| 12 | <u>VT0006956</u> | Push buttons box + cable + plug - 2 HS+ES | 5,20 m - Jaune/yellow - DIN | 1 |
| 12 | <u>VT0006957</u> | Push buttons box + cable + plug - 2 HS+ES | 5,70 m - Jaune/yellow - DIN | 1 |
| 13 | <u>VT0006959</u> | Push buttons box + cable + plug - 2 HS+2TS+ES | 2,20 m - Jaune/yellow - DIN | 1 |
| 13 | <u>VT0006966</u> | Push buttons box + cable + plug - 2 HS+2TS+ES | 2,70 m - Jaune/yellow - DIN | 1 |
| 13 | <u>VT0006960</u> | Push buttons box + cable + plug - 2 HS+2TS+ES | 3,20 m - Jaune/yellow - DIN | 1 |
| 13 | <u>VT0006961</u> | Push buttons box + cable + plug - 2 HS+2TS+ES | 3,70 m - Jaune/yellow - DIN | 1 |
| 13 | <u>VT0006962</u> | Push buttons box + cable + plug - 2 HS+2TS+ES | 4,20 m - Jaune/yellow - DIN | 1 |
| 13 | <u>VT0006963</u> | Push buttons box + cable + plug - 2 HS+2TS+ES | 4,70 m - Jaune/yellow - DIN | 1 |
| 13 | <u>VT0006964</u> | Push buttons box + cable + plug - 2 HS+2TS+ES | 5,20 m - Jaune/yellow - DIN | 1 |
| 13 | <u>VT0006965</u> | Push buttons box + cable + plug - 2 HS+2TS+ES | 5,70 m - Jaune/yellow - DIN | 1 |

7) Normal Headroom Trolley



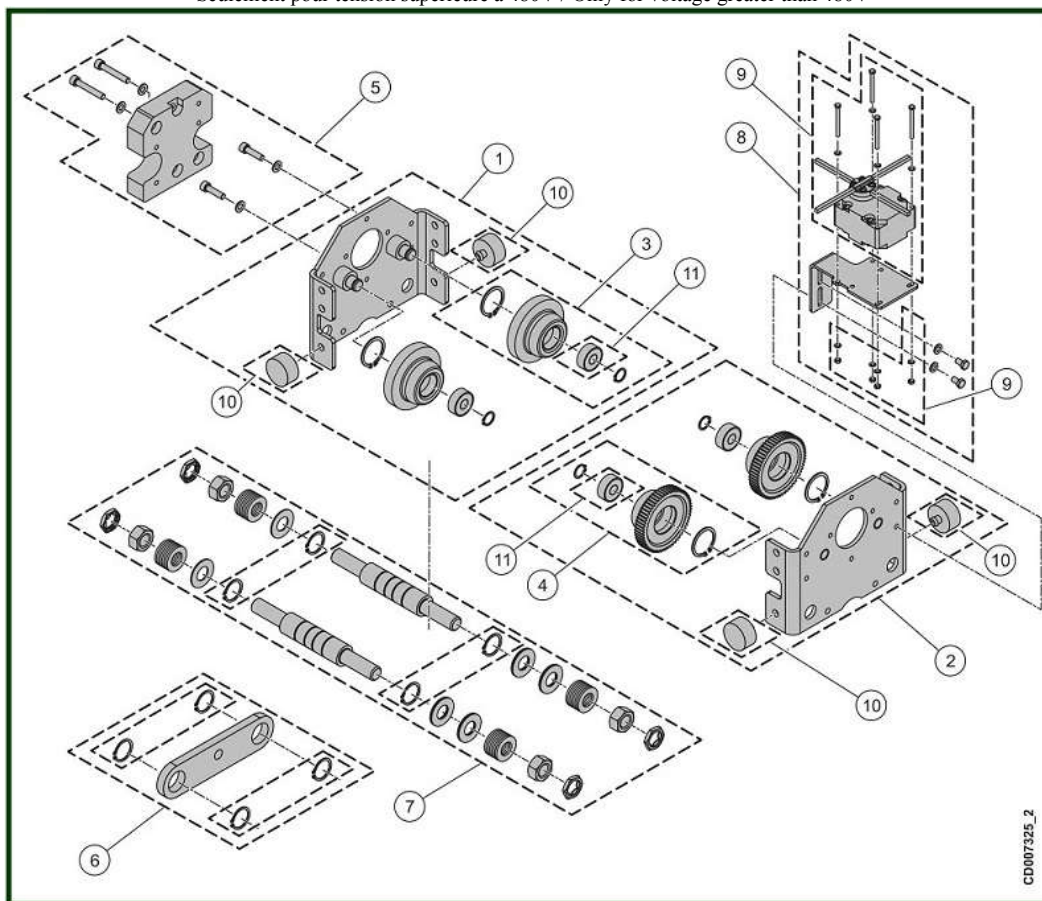
7.1) C1 trolley - 0 to 1000 kg - Coupled version



| item | reference | description | observation | Quantity |
|------|---------------------------|--|--|----------|
| 1 | VT0007051 | Idler side plate assembly | | 1 |
| 2 | VT0007066 | Drive side plate assembly | | 1 |
| 3 | VT0007061 | Complete set of travel wheel without shaft | | 1 |
| 4 | VT0007063 | Set driving wheel without shaft | Ø 62 - 93 mm | 1 |
| 5 | VT0007062 | Set of counterweight | | 1 |
| 6 | VT0007064 | Coupling part | Version suspendue / Hanging version | 1 |
| 7 | VT0007026 | Tie rod set beam - 55 to 100 mm | Tirant monobloc depuis 1999 / Monobloc tie road since 1999 Hook and coupling suspension | 1 |
| 7 | VT0007027 | Tie rod set beam - 106 to 150 mm | Tirant monobloc depuis 1999 / Monobloc tie road since 1999 Hook and coupling suspension | 1 |
| 7 | VT0007028 | Tie rod set beam - 155 to 200 mm | Tirant monobloc depuis 1999 / Monobloc tie road since 1999 Hook and coupling suspension | 1 |
| 7 | VT0007029 | Tie rod set beam - 206 to 248 mm | Tirant monobloc depuis 1999 / Monobloc tie road since 1999 Hook and coupling suspension | 1 |
| 7 | VT0007030 | Tie rod set beam - 260 to 307 mm | Tirant monobloc depuis 1999 / Monobloc tie road since 1999 Hook and coupling suspension | 1 |
| 7 | VT0007031 | Tie rod set beam - 308 to 310 mm | Tirant monobloc depuis 1999 / Monobloc tie road since 1999 Hook and coupling suspension | 1 |
| 8 | VT0007098 | Limit switch - 1 step | | 1 |
| 8 | VT0008775 | Limit switch - 2 steps | | 1 |
| 9 | VT0008776 | Travelling limit switch assembly - 1 step | | 1 |
| 9 | VT0008777 | Travelling limit switch assembly - 2 steps | | 1 |
| 10 | VT0009357 | Buffer | D40x20 - For C1 to C5 trolley | 1 |
| 11 | VT0007091 | Ball Bearing | | 1 |

7.2) C2 trolley - 1001 to 2000 kg - Coupled version

Seulement pour tension supérieure à 480V / Only for voltage greater than 480V



| item | reference | description | observation | Quantity |
|------|---------------------------|--|--|----------|
| 1 | VT0007067 | Idler side plate assembly | C2 | 1 |
| 2 | VT0007068 | Drive side plate assembly | C2 | 1 |
| 3 | VT0007069 | Set of idler wheel without shaft | C2 - Ø 80x120 mm | 1 |
| 4 | VT0008778 | Set of driving wheel without shaft | C2 - Ø 80x120 mm | 1 |
| 5 | VT0008780 | Set of Sounterweight | C2 | 1 |
| 6 | VT0007085 | Cross bar | Version accouplée / Coupled version | 1 |
| 7 | VT0007036 | Tie rod set beam - 64 to 126 mm | C2 -Tirant monobloc depuis 1999 Monobloc tie road since 1999 - Hook and Coupling suspension | 1 |
| 7 | VT0007037 | Tie rod set beam - 131 to 190 mm | C2 -Tirant monobloc depuis 1999 Monobloc tie road since 1999 - Hook and Coupling suspension | 1 |
| 7 | VT0007038 | Tie rod set beam - 198 to 248 mm | C2 -Tirant monobloc depuis 1999 Monobloc tie road since 1999 - Hook and Coupling suspension | 1 |
| 7 | VT0007039 | Tie rod set beam - 260 to 310 mm | C2 -Tirant monobloc depuis 1999 Monobloc tie road since 1999 - Hook and Coupling suspension | 1 |
| 8 | VT0007098 | Limit switch - 1 step | | 1 |
| 8 | VT0008775 | Limit switch - 2 steps | | 1 |
| 9 | VT0008776 | Travelling limit switch assembly - 1 step | | 1 |
| 9 | VT0008777 | Travelling limit switch assembly - 2 steps | | 1 |
| 10 | VT0007088 | Buffer | 40X20 M10 | 1 |
| 11 | VT0008781 | Ball Bearing | C2 | 1 |