

SPARE PARTS CATALOG FOR VR12 - Phase 2 (since May 2016)

To avoid errors, when ordering please specify:

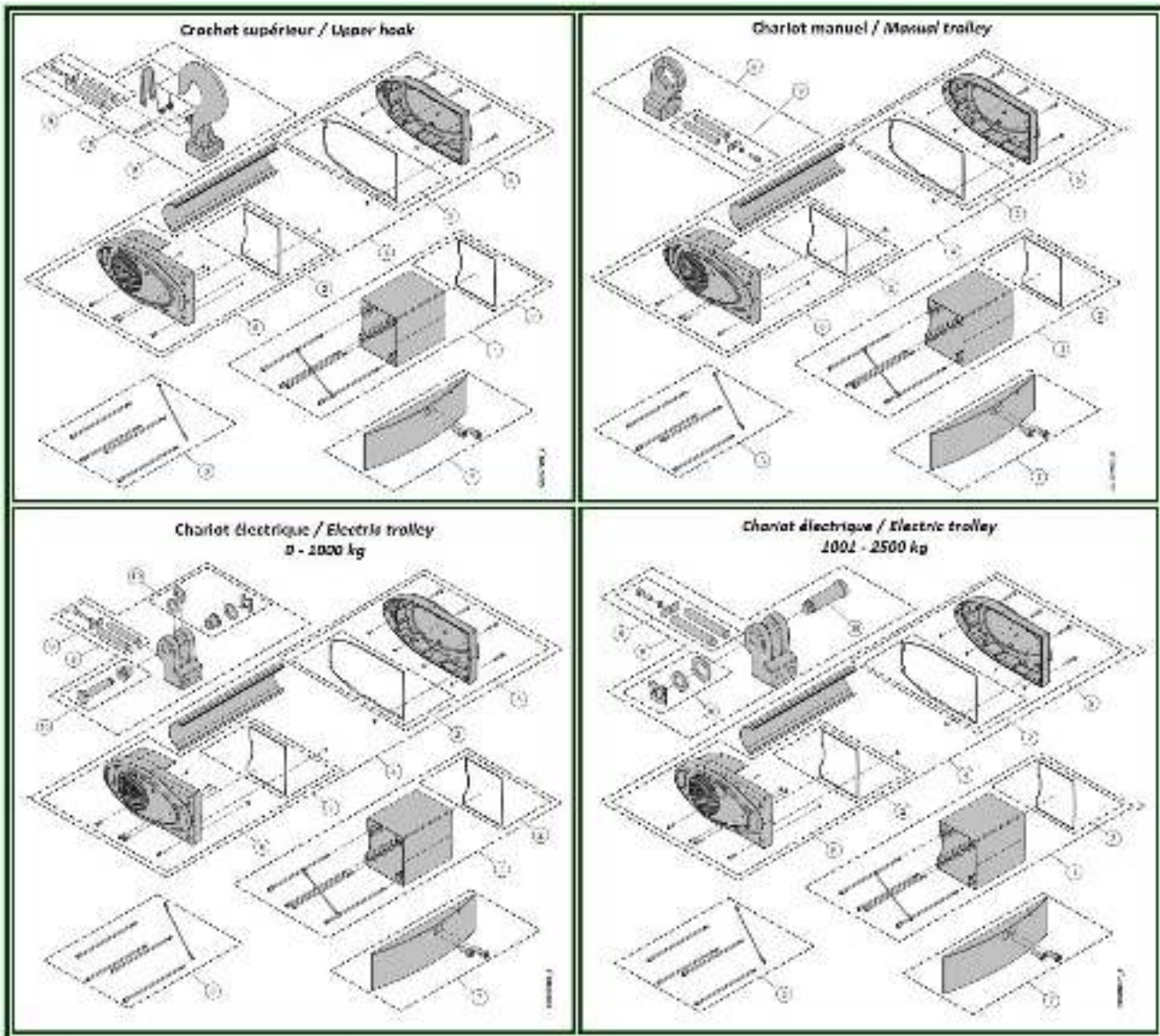
- Complete type of hoist
- Date of manufacture and serial number
- Spare part code
- Spare part designation
- Additional information



1. FRAME.....	3
1.1. Upper hook - Standard	4
1.2. Upper hook - Double brakes + Gear Limit Switch.....	6
1.3. Manual trolley - Standard	8
1.4. Manual trolley - Double brakes + Gear Limit Switch	10
1.5. Electric trolley from 0 to 1000 Kg - Standard.....	12
1.6. Electric trolley from 0 to 1000 kg - Double brakes + Gear Limit Switch	14
1.7. Electric trolley from 1001 kg to 2500 kg - Standard	16
1.8. Electric trolley from 1001 to 2500 kg - Double brakes + Gear Limit Switch	18
2. CHAIN GUIDE.....	20
2.1. Chain 7x20 - 1 fall.....	21
2.2. Chain 7x20 - 2 falls	23
2.3. Precut chain	25
3. Gear - Single brake.....	26
3.1. Standard.....	27
3.2. Gear limit switch - 2 comes.....	29
3.3. Gear limit switch - 4 comes.....	31
4. GEAR - Double brakes	33
4.1. Standard.....	34
4.2. Gear limit switch - 2 comes.....	36
4.3. Gear limit switch - 4 comes.....	38
5. MOTOR.....	40
5.1. Single brake.....	41
5.2. Double brakes	43
6. ELECTRIC PARTS	45
6.1. Solo equipment– Standard	46
6.2. Equipment for Eurosystem - Steel - Alu. & PRV.....	49
6.3. Equipment for crane kit - UT+GTR+GTN.....	52
6.4. Without electric component.....	54
6.5. Direct voltage – ACF.....	55
6.6. Solo hoist - Hard wiring.....	56
7. PUSH BUTTON CONTROLLER	57
7.1. 2 buttons.....	58
7.2. 4 buttons.....	59
7.3. 6 buttons.....	61
7.4. 2 and 4 button ERGOMOVE - From September 2014.....	62
7.5. 6 buttons ERGOMOVE – From September 2014	64
7.6. 10 buttons ERGOMOVE – From September 2014	66
7.7. 10 Butons ERGOMOVE – Option pendant label	68
8. NORMAL HEADROOM TROLLEY.....	70
8.1. C1 trolley - 0 to 1000 kg - Coupled version.....	71
8.2. C2 trolley - 1001 to 2000 kg - Coupled version.....	73
8.3. C3 trolley - 2001 à 3200 kg - Coupled version	75
8.4. Inverter TMU motor.....	77
8.5. Two speeds TMU motor	79
8.6. Chain travel.....	81
8.7. Right angle motor	82
9. LOW HEADROOM TROLLEY	83
9.1. LHT - 1 Fall.....	84
9.2. LHT - 2 falls.....	86
10. SWIVELLING TROLLEY.....	88

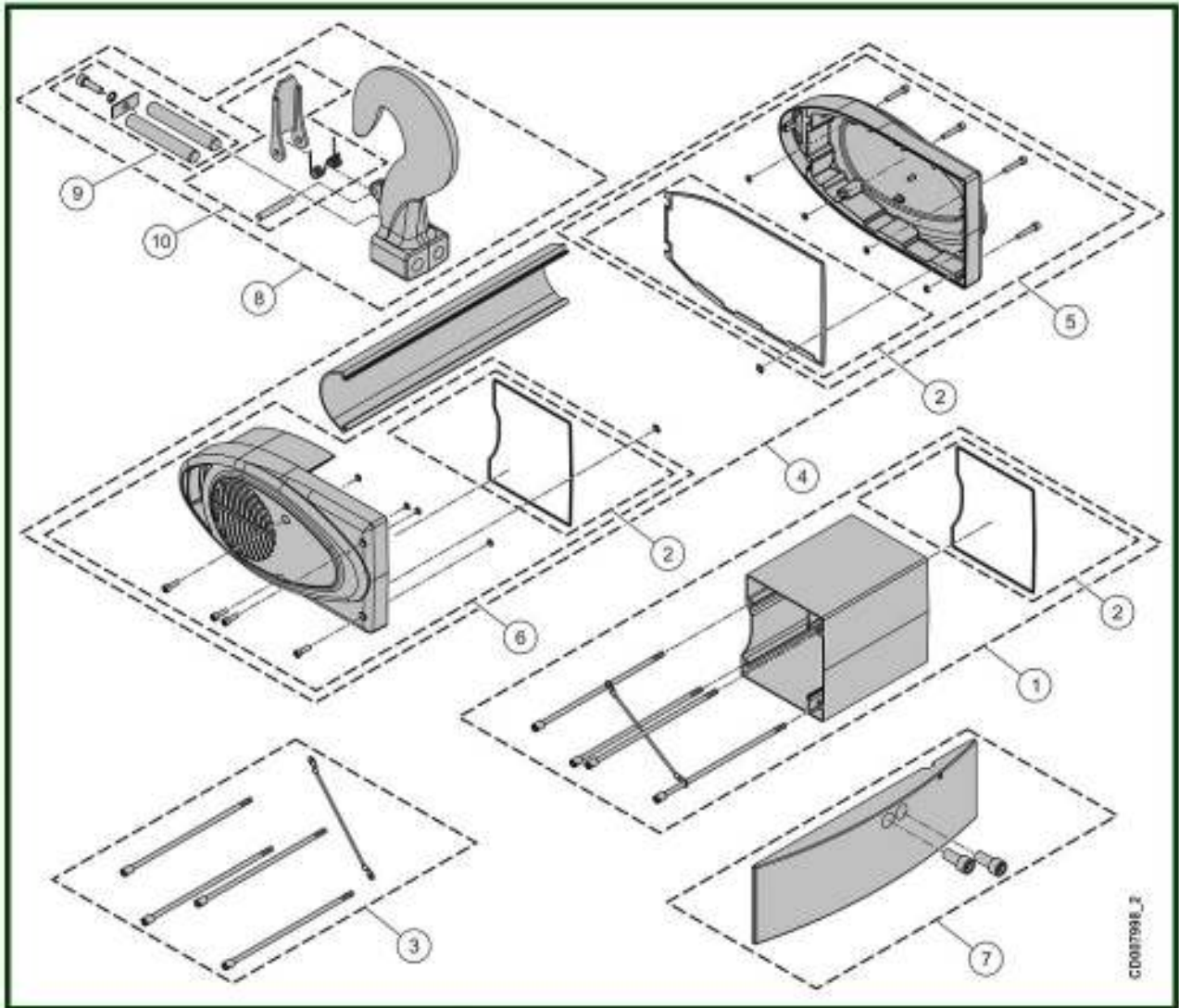
1. FRAME

Serial number request



1.1. Upper hook - Standard

Serial number request

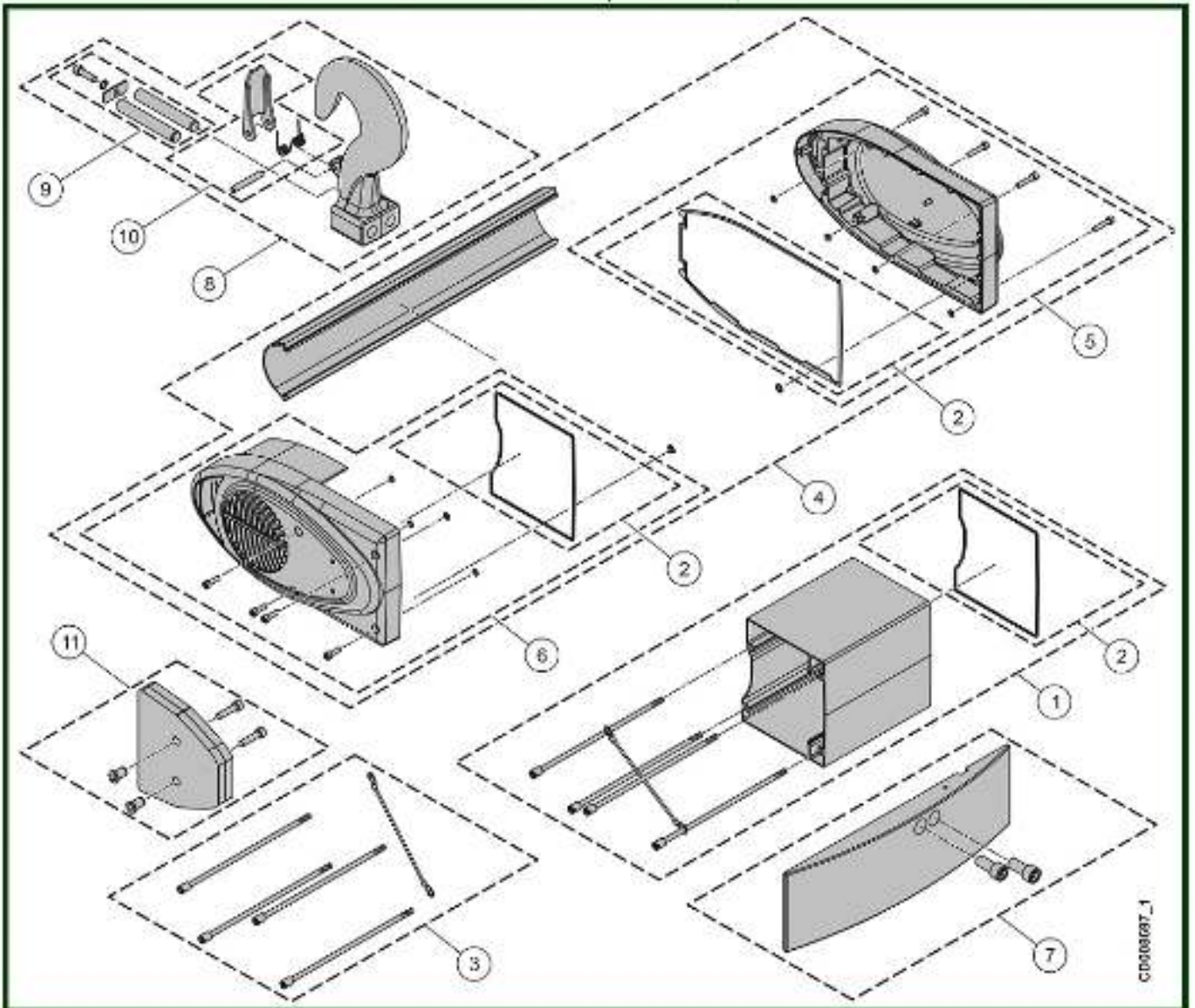


Serial number request
Serial number request

Item	Reference	Description	Observation	Quantity
1	<u>VT0008078</u>	Housing module	Standard	1
2	<u>VT0009304</u>	Sealings set	Standard	1
3	<u>VT0009305</u>	Screws set		1
4	<u>VT0008080</u>	Cover	Standard	1
5	<u>VT0008102</u>	Cover set - Brake side	Single & double brakes	1
6	<u>VT0008109</u>	Cover set - Motor side	Standard + Gear Limit Switch	1
7	<u>VT0008115</u>	Counterweight		1
8	<u>VT0005561</u>	Upper hook		1
9	<u>VT0005562</u>	Shaft set		1
10	<u>VT0005902</u>	Safety latch	RSN08	1
	<u>VT0006048</u>	Set of 10 load plates	500 kg	1
	<u>VT0006049</u>	Set of 10 load plates	630 kg	1
	<u>VT0006050</u>	Set of 10 load plates	1000 Kg	1
	<u>VT0006051</u>	Set of 10 load plates	1250 Kg	1
	<u>VT0006052</u>	Set of 10 load plates	1600 Kg	1
	<u>VT0006053</u>	Set of 10 load plates	2000 Kg	1
	<u>VT0006054</u>	Set of 10 load plates	2500 Kg	1
	<u>VT0008558</u>	Rain cover	Standard	1
	<u>VT0006026</u>	Identification plate	Serial number request	1

1.2. Upper hook - Double brakes + Gear Limit Switch

Serial number request

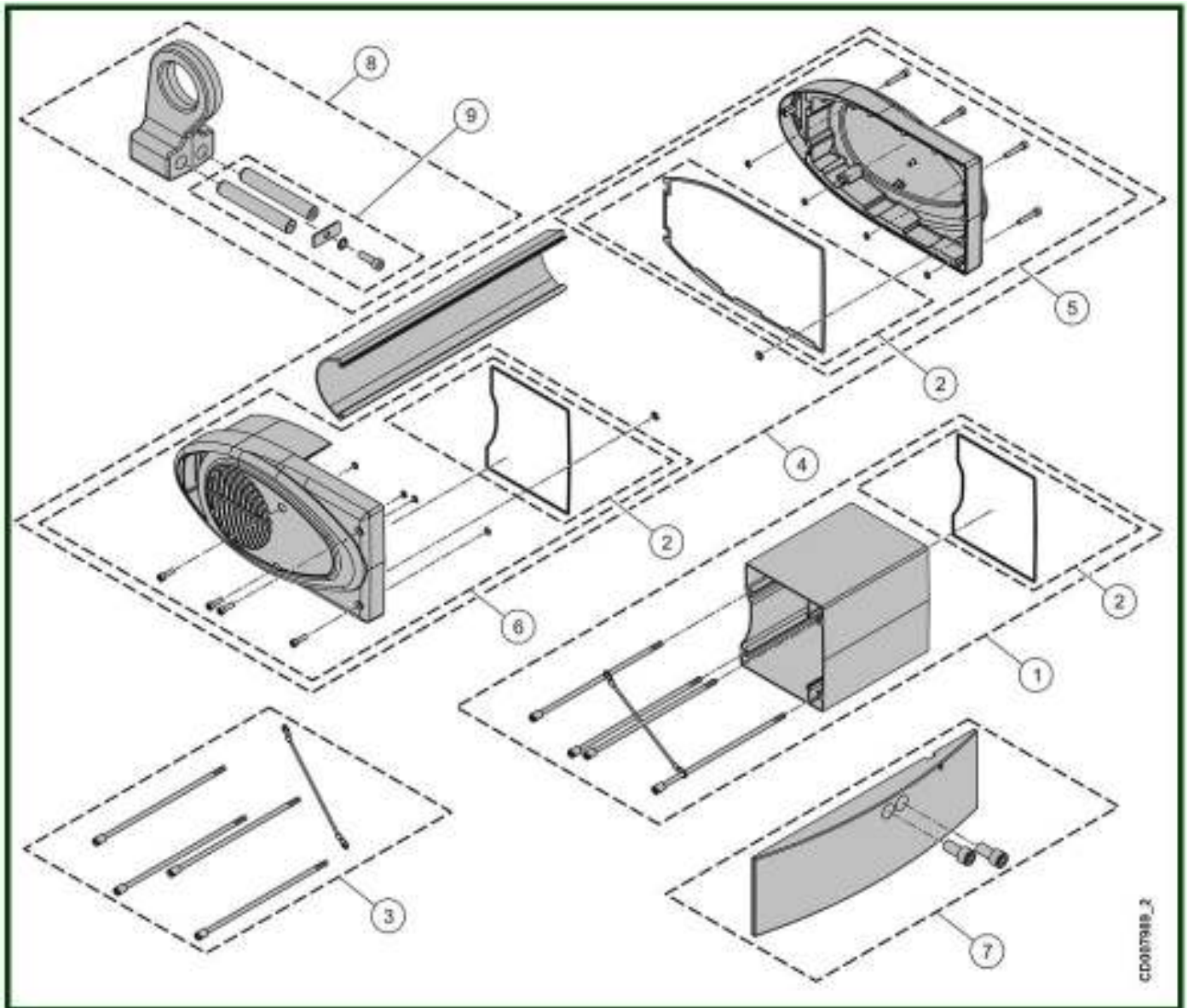


Upper hook - Double brakes + Gear Limit Switch

Item	Reference	Description	Observation	Quantity
1	<u>VT0008821</u>	Housing module		1
2	<u>VT0009304</u>	Sealings set	Standard	1
3	<u>VT0009305</u>	Screws set		1
4	<u>VT0008092</u>	Cover	VERLINDE	1
5	<u>VT0008102</u>	Cover set - Brake side		1
6	<u>VT0008822</u>	Cover set - Motor side	VERLINDE	1
7	<u>VT0008115</u>	Counterweight		1
8	<u>VT0005561</u>	Upper hook		1
9	<u>VT0005562</u>	Shaft set		1
10	<u>VT0005902</u>	Safety latch	RSN08	1
11	<u>VT0009312</u>	Counterweight - Cover motor side		1
-	<u>VT0006048</u>	Set of 10 load plates	500 kg	1
-	<u>VT0006049</u>	Set of 10 load plates	630 kg	1
-	<u>VT0006050</u>	Set of 10 load plates	1000 Kg	1
-	<u>VT0006051</u>	Set of 10 load plates	1250 Kg	1
-	<u>VT0006052</u>	Set of 10 load plates	1600 Kg	1
-	<u>VT0006053</u>	Set of 10 load plates	2000 Kg	1
-	<u>VT0006054</u>	Set of 10 load plates	2500 Kg	1
-	<u>VT0008559</u>	Rain cover	Gear Limit Switch - Double brakes	1
	<u>VT0006026</u>	Identification plate	Serial number request	1

1.3. Manual trolley - Standard

Serial number request



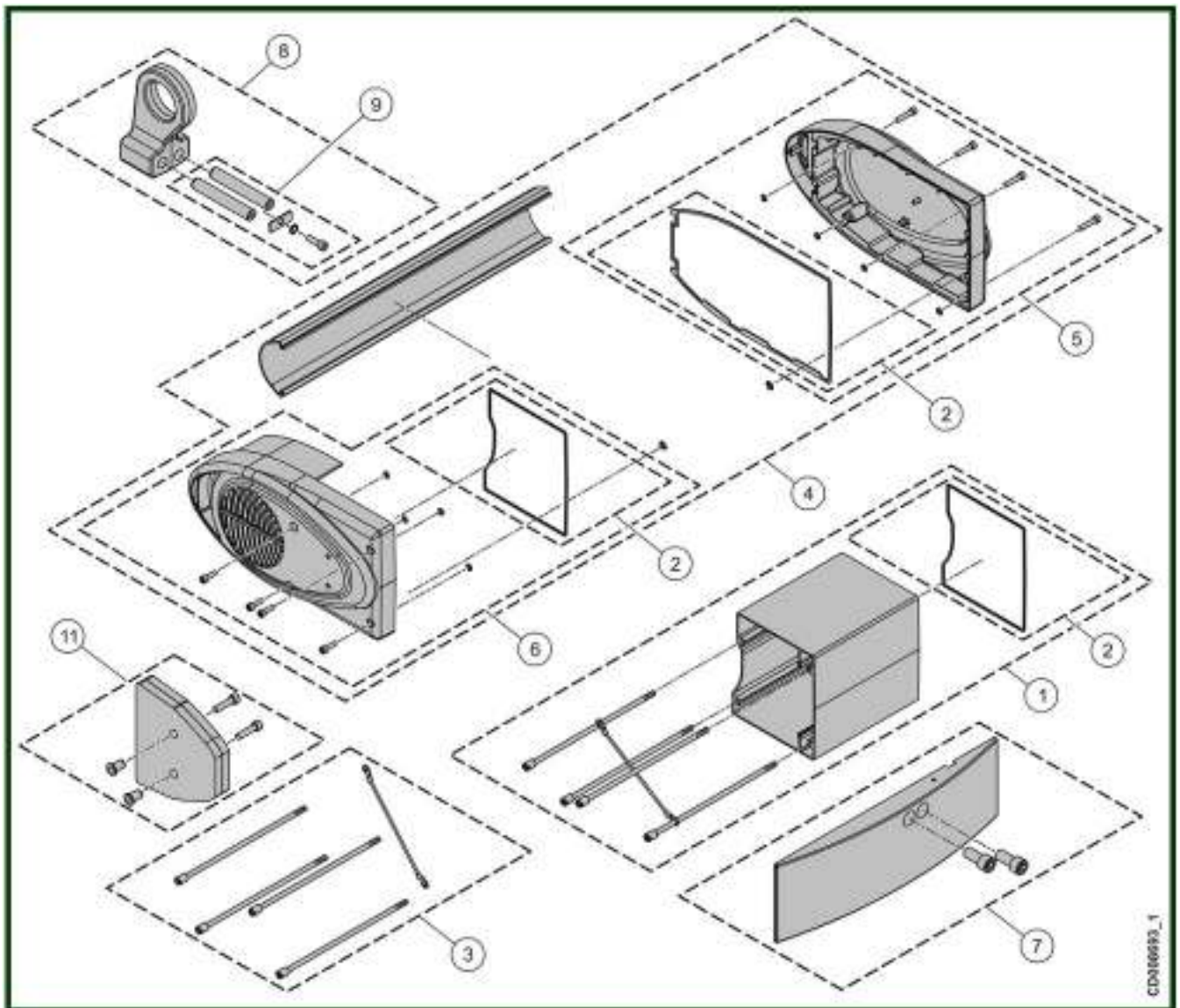
Manuel Trolley – standard

Serial number request

Item	Reference	Description	Observation	Quantity
1	<u>VT0008078</u>	Housing module	Standard	1
2	<u>VT0009304</u>	Sealings set	Standard	1
3	<u>VT0009305</u>	Screws set		1
4	<u>VT0008080</u>	Cover	Standard	1
5	<u>VT0008102</u>	Cover set - Brake side		1
6	<u>VT0008109</u>	Cover set - Motor side		1
7	<u>VT0008115</u>	Counterweight		1
8	<u>VT0005848</u>	Coupling part		1
9	<u>VT0005562</u>	Shaft set		1
-	<u>VT0006048</u>	Set of 10 load plates	500 kg	1
-	<u>VT0006049</u>	Set of 10 load plates	630 kg	1
-	<u>VT0006050</u>	Set of 10 load plates	1000 Kg	1
-	<u>VT0006051</u>	Set of 10 load plates	1250 Kg	1
-	<u>VT0006052</u>	Set of 10 load plates	1600 Kg	1
-	<u>VT0006053</u>	Set of 10 load plates	2000 Kg	1
-	<u>VT0006054</u>	Set of 10 load plates	2500 Kg	1
-	<u>VT0008558</u>	Rain cover	Standard	1
	<u>VT0006026</u>	Identification plate	Serial number request	1

1.4. Manual trolley - Double brakes + Gear Limit Switch

Serial number request



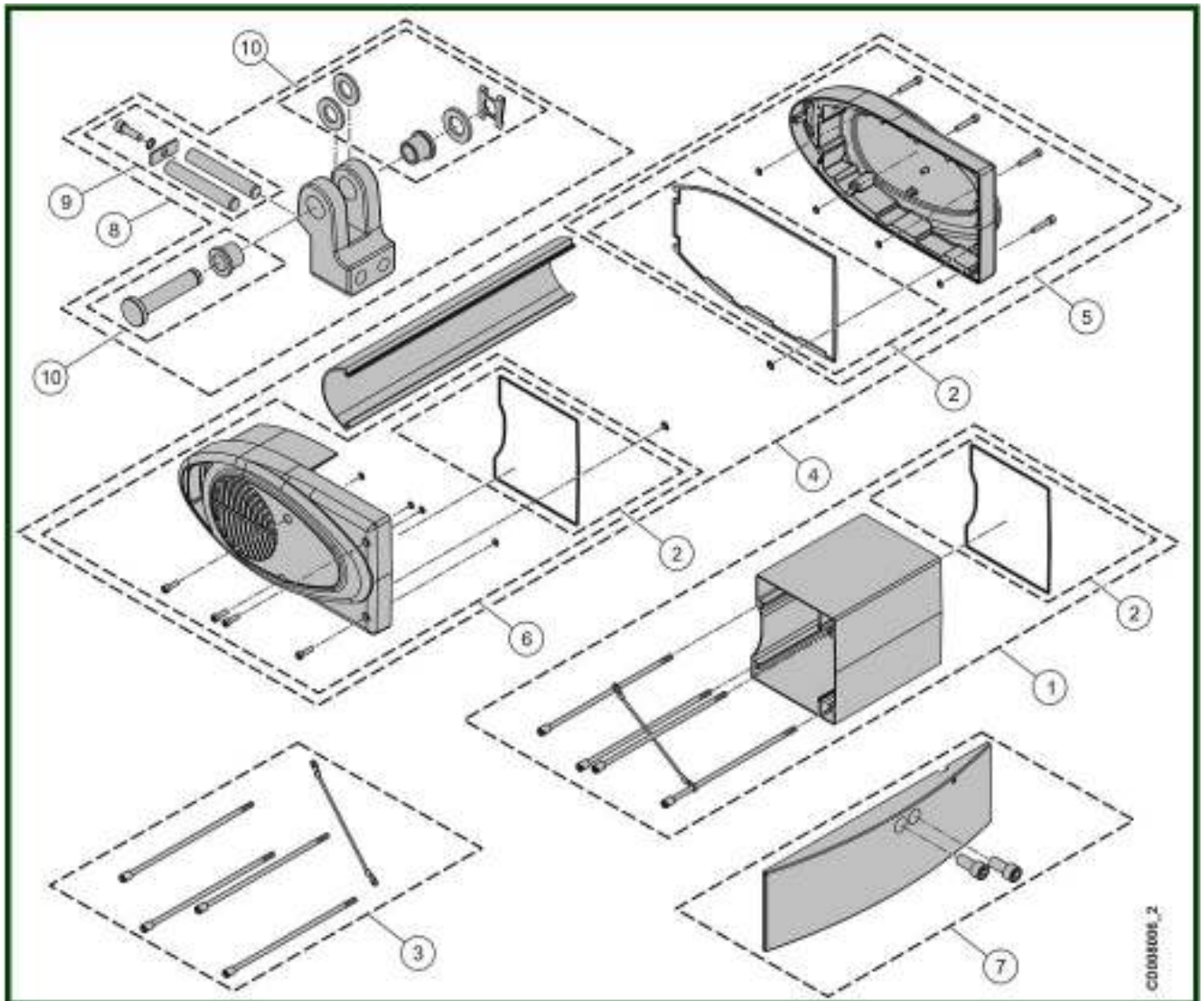
Manual trolley - Double brakes + Gear Limit Switch

Serial number request

Item	Reference	Description	Observation	Quantity
1	<u>VT0008821</u>	Housing module		1
2	<u>VT0009304</u>	Sealings set	Standard	1
3	<u>VT0009305</u>	Screws set		1
4	<u>VT0008092</u>	Cover		1
5	<u>VT0008102</u>	Cover set - Brake side	Single & double brakes	1
6	<u>VT0008822</u>	Cover set - Motor side		1
7	<u>VT0008115</u>	Counterweight		1
8	<u>VT0005848</u>	Coupling part		1
9	<u>VT0005562</u>	Shaft set		1
11	<u>VT0009312</u>	Counterweight	Cover motor side	1
	<u>VT0006048</u>	Set of 10 load plates	500 kg	1
	<u>VT0006049</u>	Set of 10 load plates	630 kg	1
	<u>VT0006050</u>	Set of 10 load plates	1000 Kg	1
	<u>VT0006051</u>	Set of 10 load plates	1250 Kg	1
	<u>VT0006052</u>	Set of 10 load plates	1600 Kg	1
	<u>VT0006053</u>	Set of 10 load plates	2000 Kg	1
	<u>VT0006054</u>	Set of 10 load plates	2500 Kg	1
	<u>VT0008559</u>	Rain cover	Gear Limit Switch - Double brakes	1
	<u>VT0006026</u>	Identification plate	Serial number request	1

1.5. Electric trolley from 0 to 1000 Kg - Standard

Serial number request



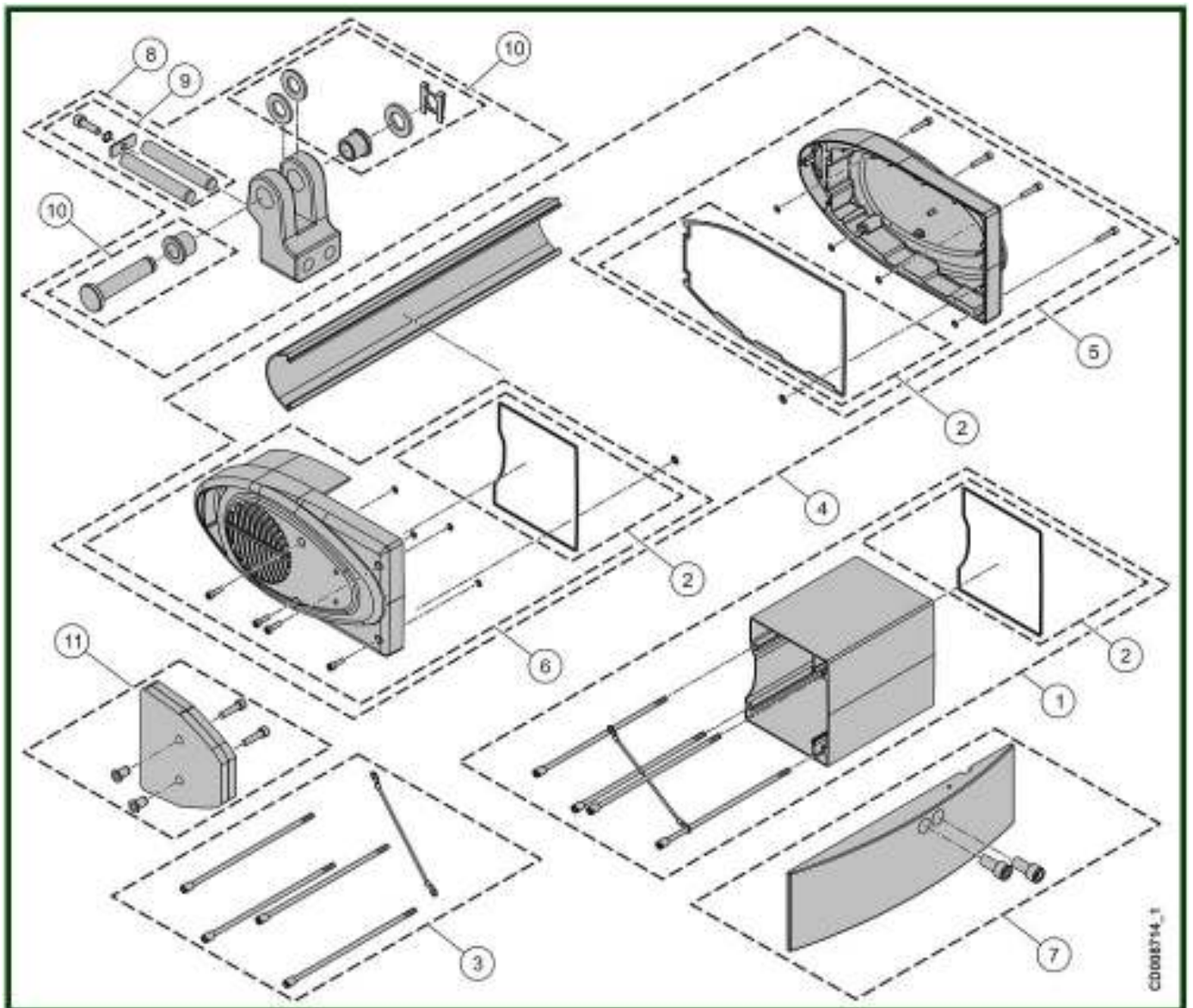
Electric trolley from 0 to 1000 Kg - Standard

Serial number request

Item	Reference	Description	Observation	Quantity
1	<u>VT0008078</u>	Housing module	Standard	1
2	<u>VT0009304</u>	Sealings set	Standard	1
3	<u>VT0009305</u>	Screws set		1
4	<u>VT0008080</u>	Cover	Standard	1
5	<u>VT0008102</u>	Cover set - Brake side	Single & double brakes	1
6	<u>VT0008109</u>	Cover set - Motor side	Gear Limit Switch	1
7	<u>VT0008115</u>	Counterweight		1
8	<u>VT0005862</u>	Coupling part	0 to 1000 kg	1
9	<u>VT0005562</u>	Shaft set		1
10	<u>VT0005976</u>	Shaft set - Electric trolley	0 to 1000 kg	1
	<u>VT0006048</u>	Set of 10 load plates	500 kg	1
	<u>VT0006049</u>	Set of 10 load plates	630 kg	1
	<u>VT0006050</u>	Set of 10 load plates	1000 Kg	1
	<u>VT0006051</u>	Set of 10 load plates	1250 Kg	1
	<u>VT0006052</u>	Set of 10 load plates	1600 Kg	1
	<u>VT0006053</u>	Set of 10 load plates	2000 Kg	1
	<u>VT0006054</u>	Set of 10 load plates	2500 Kg	1
	<u>VT0008558</u>	Rain cover	Standard	1
	<u>VT0006026</u>	Identification plate	Serial number request	1

1.6. Electric trolley from 0 to 1000 kg - Double brakes + Gear Limit Switch

Serial number request



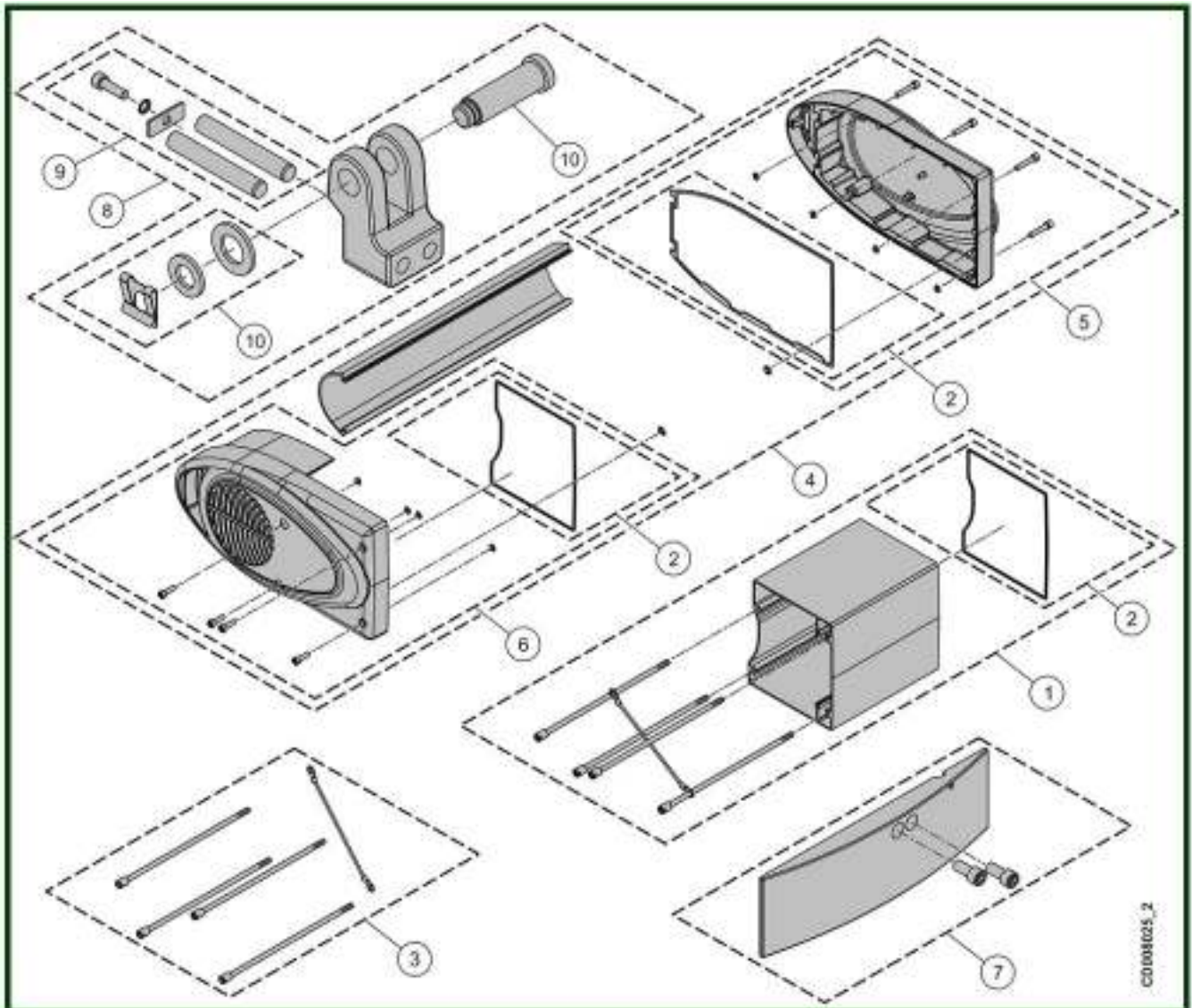
Electric trolley from 0 to 1000 kg - Double brakes + Gear Limit Switch

Serial number request

Item	Reference	Description	Observation	Quantity
1	<u>VT0008821</u>	Housing module		1
2	<u>VT0009304</u>	Sealings set	Standard	1
3	<u>VT0009305</u>	Screws set		1
4	<u>VT0008092</u>	Cover		1
5	<u>VT0008102</u>	Cover set - Brake side	Single & double brakes	1
6	<u>VT0008822</u>	Cover set - Motor side		1
7	<u>VT0008115</u>	Counterweight		1
8	<u>VT0005862</u>	Coupling part	0 to 1000 kg	1
9	<u>VT0005562</u>	Shaft set		1
10	<u>VT0005976</u>	Shaft set - Electric trolley	0 to 1000 kg	1
11	<u>VT0009312</u>	Counterweight	Cover - Motor side	1
-	<u>VT0006048</u>	Set of 10 load plates	500 kg	1
-	<u>VT0006049</u>	Set of 10 load plates	630 kg	1
-	<u>VT0006050</u>	Set of 10 load plates	1000 Kg	1
-	<u>VT0006051</u>	Set of 10 load plates	1250 Kg	1
-	<u>VT0006052</u>	Set of 10 load plates	1600 Kg	1
-	<u>VT0006053</u>	Set of 10 load plates	2000 Kg	1
-	<u>VT0006054</u>	Set of 10 load plates	2500 Kg	1
-	<u>VT0008559</u>	Rain cover	Standard	1
-	<u>VT0006026</u>	Identification plate	Serial number request	1

1.7. Electric trolley from 1001 kg to 2500 kg - Standard

Serial number request



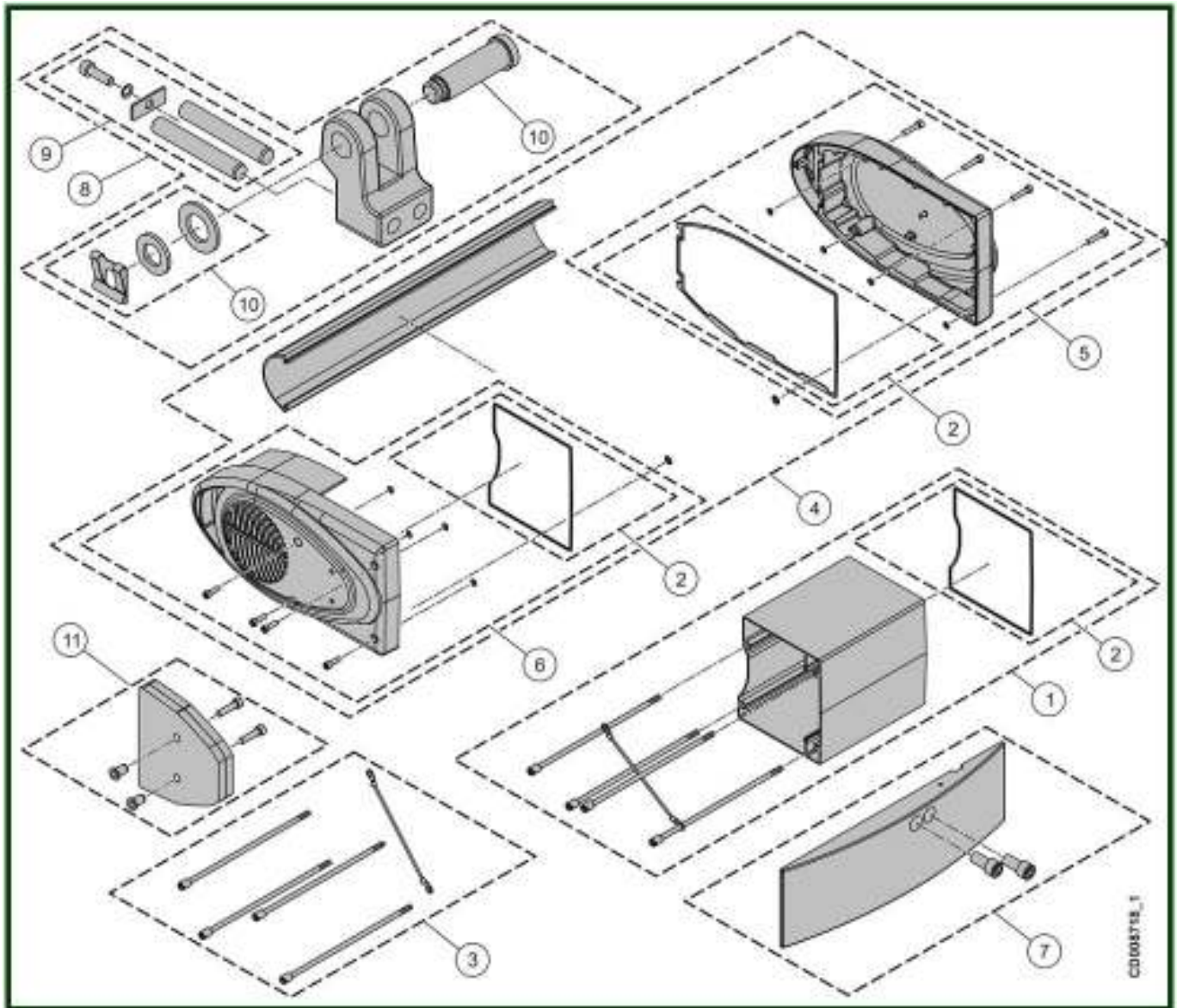
Electric trolley from 1001 kg to 2500 kg - Standard

Serial number request

Item	Reference	Description	Observation	Quantity
1	<u>VT0008078</u>	Housing module	Standard	1
2	<u>VT0009304</u>	Sealings set		1
3	<u>VT0009305</u>	Screws set		1
4	<u>VT0008080</u>	Cover	Standard	1
5	<u>VT0008102</u>	Cover set - Brake side		1
6	<u>VT0008109</u>	Cover set - Motor side		1
7	<u>VT0008115</u>	Counterweight		1
8	<u>VT0005849</u>	Coupling part	1001 to 2500 kg	1
9	<u>VT0005562</u>	Shaft set		1
10	<u>VT0005975</u>	Shaft set - Electric trolley	1001 to 2500 kg	1
-	<u>VT0006048</u>	Set of 10 load plates	500 kg	1
-	<u>VT0006049</u>	Set of 10 load plates	630 kg	1
-	<u>VT0006050</u>	Set of 10 load plates	1000 Kg	1
-	<u>VT0006051</u>	Set of 10 load plates	1250 Kg	1
-	<u>VT0006052</u>	Set of 10 load plates	1600 Kg	1
-	<u>VT0006053</u>	Set of 10 load plates	2000 Kg	1
-	<u>VT0006054</u>	Set of 10 load plates	2500 Kg	1
-	<u>VT0008558</u>	Rain cover	Standard	1
-	<u>VT0006026</u>	Identification plate	Serial number request	1

1.8. Electric trolley from 1001 to 2500 kg - Double brakes + Gear Limit Switch

Serial number request



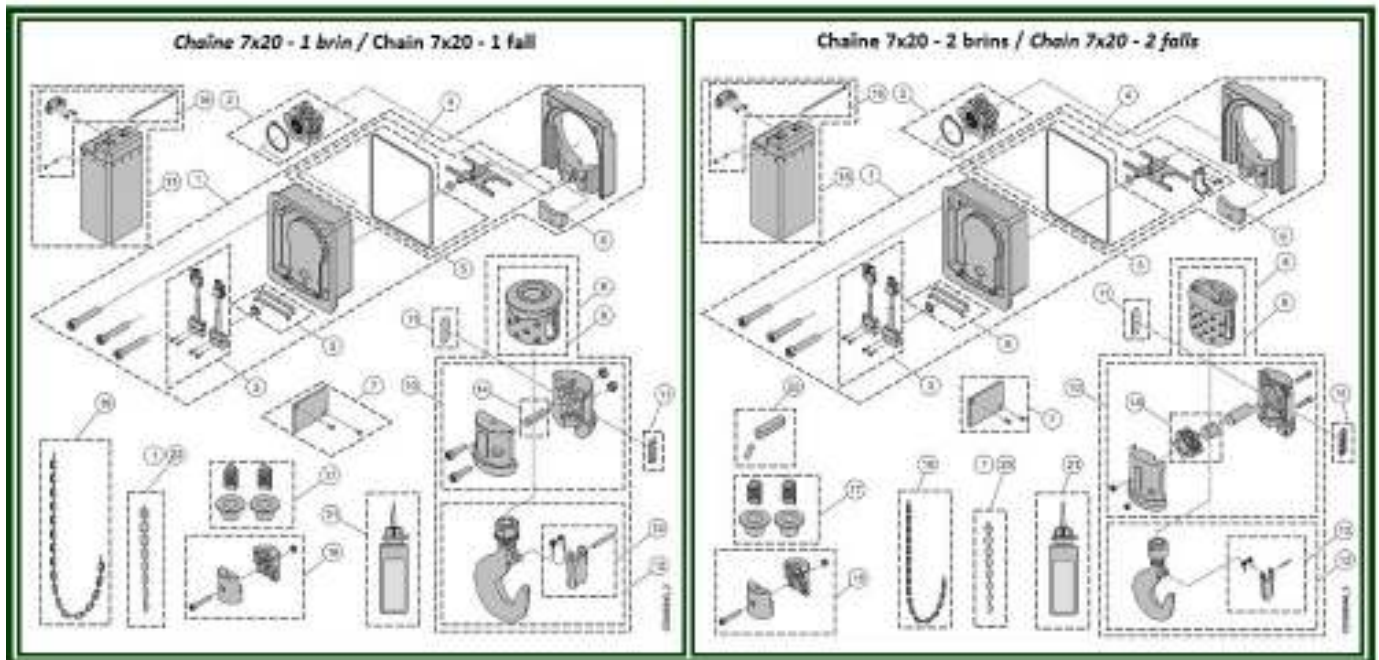
Electric trolley from 1001 to 2500 kg - Double brakes + Gear Limit Switch

Serial number request

Item	Reference	Description	Observation	Quantity
1	<u>VT0008821</u>	Housing module		1
2	<u>VT0009304</u>	Sealings set	Standard	1
3	<u>VT0009305</u>	Screws set		1
4	<u>VT0008092</u>	Cover	VERLINDE	1
5	<u>VT0008102</u>	Cover set - Brake side	Single & double brakes	1
6	<u>VT0008822</u>	Cover set - Motor side	VERLINDE	1
7	<u>VT0008115</u>	Counterweight		1
8	<u>VT0005849</u>	Coupling part	1001 to 2500 kg	1
9	<u>VT0005562</u>	Shaft set		1
10	<u>VT0005975</u>	Shaft set - Electric trolley	1001 to 2500 kg	1
11	<u>VT0009312</u>	Counterweight	Cover motor side	1
-	<u>VT0006048</u>	Set of 10 load plates	500 kg	1
-	<u>VT0006049</u>	Set of 10 load plates	630 kg	1
-	<u>VT0006050</u>	Set of 10 load plates	1000 Kg	1
-	<u>VT0006051</u>	Set of 10 load plates	1250 Kg	1
-	<u>VT0006052</u>	Set of 10 load plates	1600 Kg	1
-	<u>VT0006053</u>	Set of 10 load plates	2000 Kg	1
-	<u>VT0006054</u>	Set of 10 load plates	2500 Kg	1
-	<u>VT0008559</u>	Rain cover	Gear Limit Switch - Double brakes	1
-	<u>VT0006026</u>	Identification plate	Serial number request	1

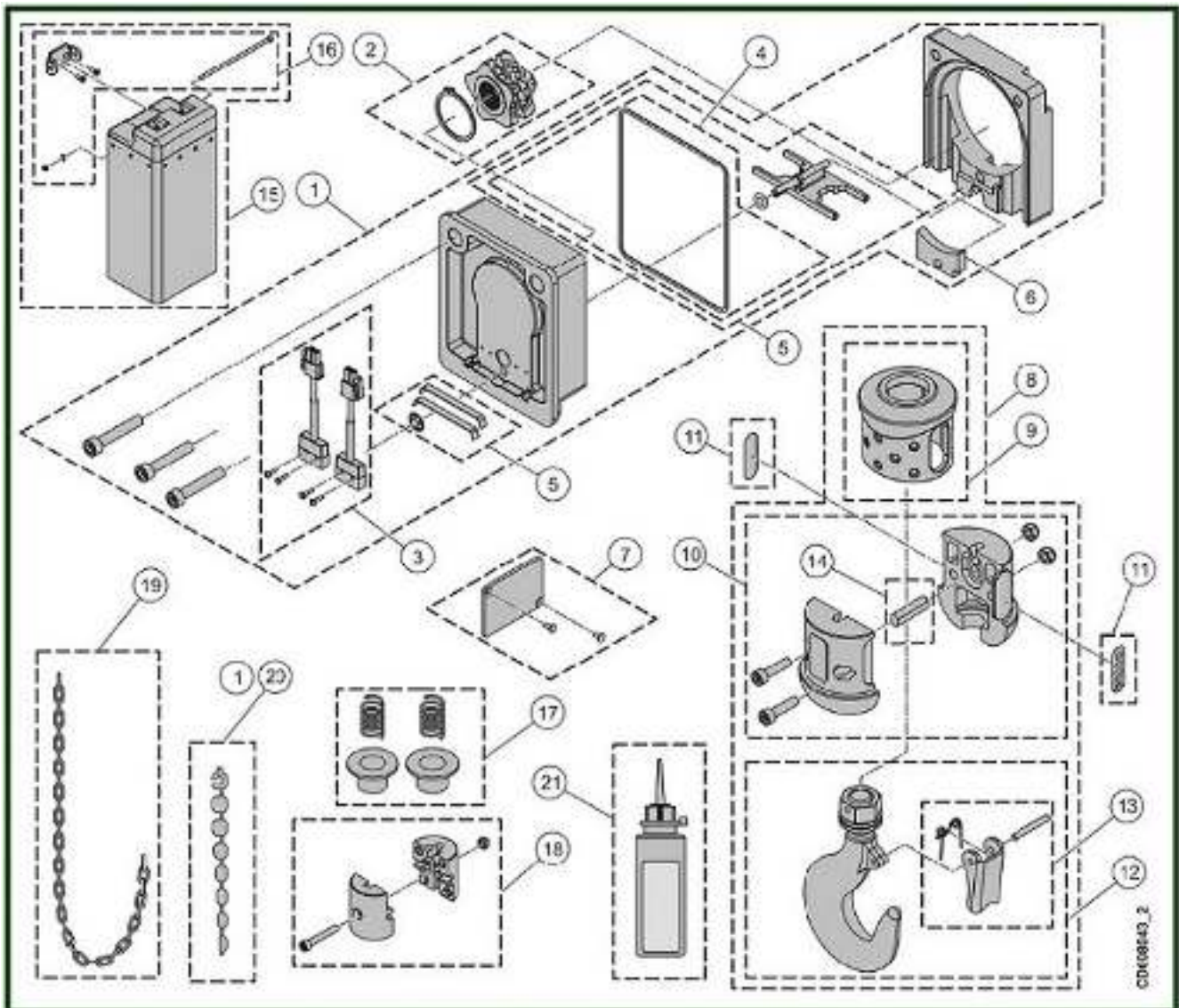
2. CHAIN GUIDE

Serial number request



2.1. Chain 7x20 - 1 fall

Serial number request

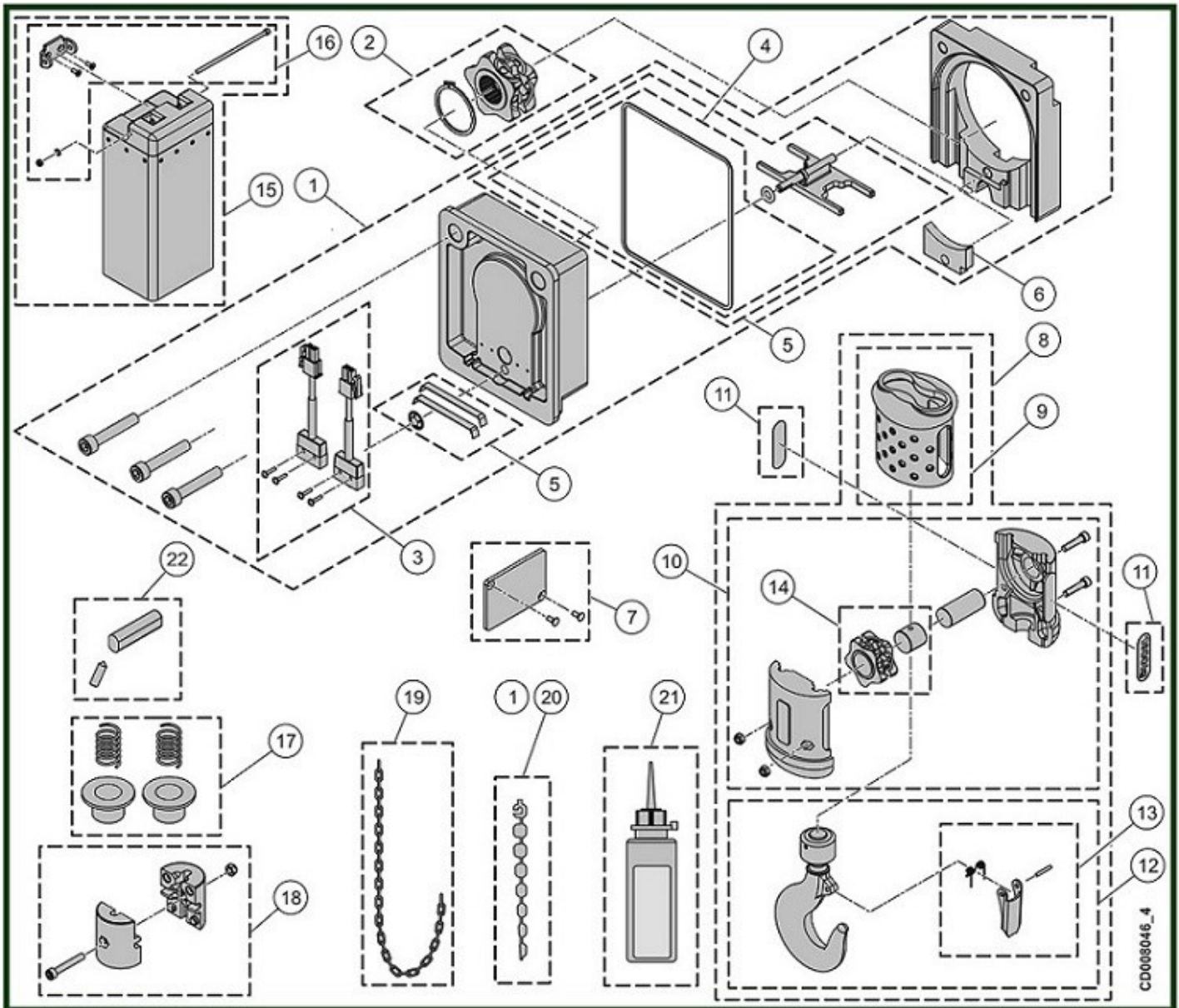


Chain 7x20 - 1 fall

Item	Reference	Description	Observation	Quantity
1	VT0008313	Chain guide	Chain 7x20	1
2	VT0005851	Chain sprocket	1 fall	1
3	VT0004724	Switch set		1
4	VT0006368	Sealing		1
5	VT0005853	Limit switch activator		1
6	VT0008116	Chain ejector		1
7	VT0008117	Cap - Chain guide		1
8	VT0008553	Hook block - 1 fall	Standard hook	1
8	VT0018081	Hook block - 1 fall	Stainless steel hook	1
9	VT0008554	Rubber chain stop		1
10	VT0005856	Hook component	Standard hook + automatic hook	1
11	VT0007728	Set of 10 load plates	1/2 TON	1
11	VT0007729	Set of 10 load plates	1 TON	1
11	VT0005857	Set of 10 load plates	500 Kg	1
11	VT0005858	Set of 10 load plates	630 Kg	1
11	VT0005859	Set of 10 load plates	1000 Kg	1
11	VT0005860	Set of 10 load plates	1250 Kg	1
12	VT0005861	Crochet		1
13	VT0005903	Safety latch	Standard hook	1
13	VT0012796	Safety latch	Stainless steel hook	1
14	VT0006371	Pin	1 fall	1
15	VT0008733	Complete chain bucket	6 m for 7x20 10 m for 5x14	1
15	VT0008734	Complete chain bucket	16 m for 7x20	1
15	VT0008736	Complete chain bucket	30 m for 7x20	1
16	VT0009160	Fixing set of chain bucket		1
17	VT0008555	Springs set		1
18	VT0007405	Slack fall stop		1
19	VT0005544	Galvanized chain - 7x20	Standard	1
19	VT0006352	Stainless steel chain - 7x20	Be careful : hoist downgraded	1
20	VT0005575	Chain tools		1
21	VT0006025	Oil can		1

2.2. Chain 7x20 - 2 falls

Serial number request



Chain 7x20 - 2 falls

Serial number request

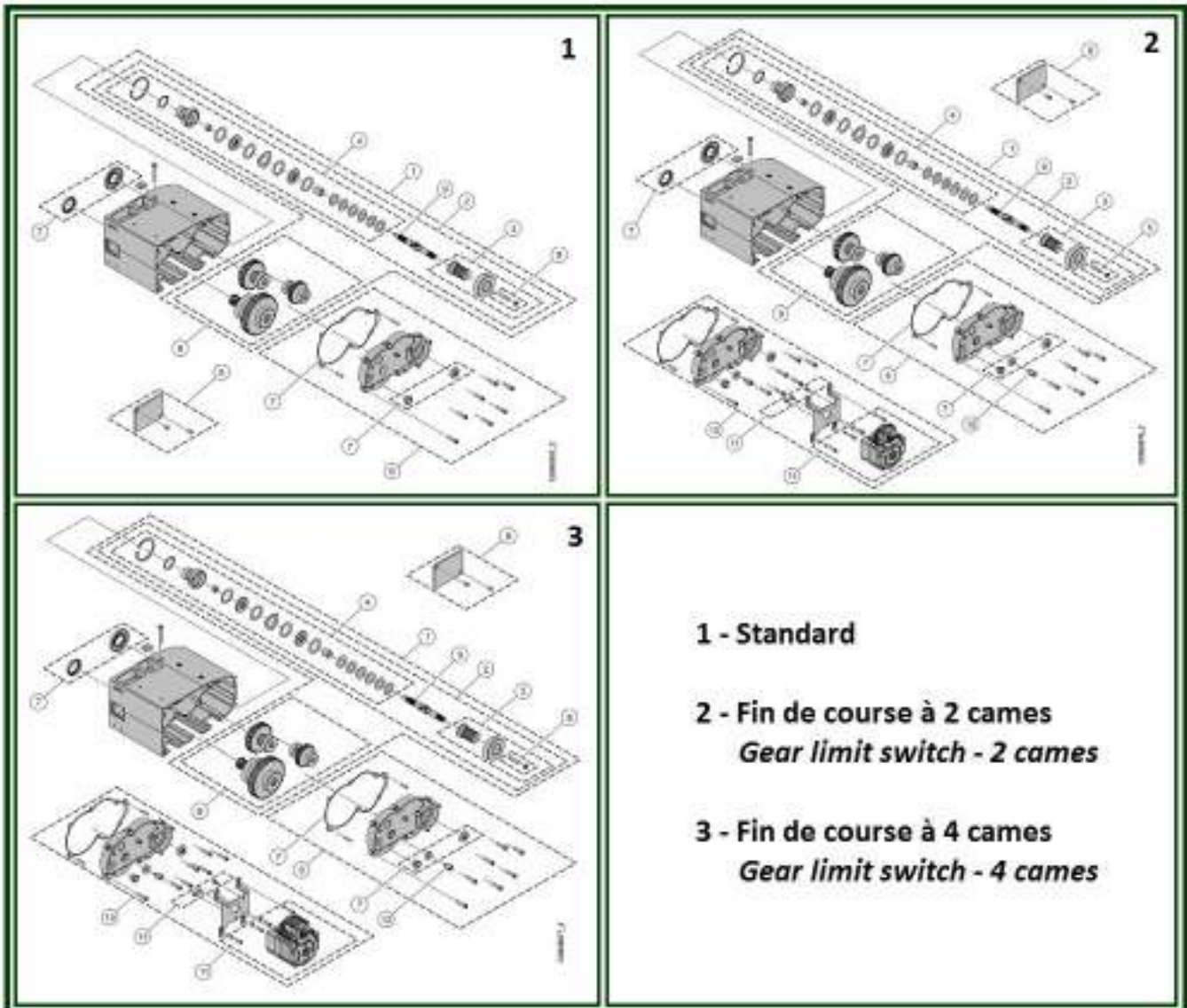
Item	Reference	Description	Observation	Quantity
1	VT0008313	Chain guide	Chain 7x20	1
2	VT0005851	Chain sprocket	1 fall	1
3	VT0004724	Switch set		1
4	VT0006368	Sealing		1
5	VT0005872	Limit switch activator		1
6	VT0008116	Chain ejector		1
7	VT0008117	Cap - Chain guide		1
8	VT0008556	Hook block - 2 falls	Standard hook	1
8	VT0008846	Hook block - 2 falls	Stainless steel	1
9	VT0008557	Rubber chain stop		1
10	VT0005883	Hook component	Standard hook	1
11	VT0008131	Set of 10 load plates	1.5 TON	1
11	VT0008132	Set of 10 load plates	2 TON	1
11	VT0007738	Set of 10 load plates	2.5 TON	1
11	VT0005873	Set of 10 load plates	1600 Kg	1
11	VT0005874	Set of 10 load plates	2000 Kg	1
11	VT0005875	Set of 10 load plates	2500 Kg	1
12	VT0006600	Hook assembly - 2 falls		1
12	VT0008133	Stainless steel hook		1
13	VT0005902	Safety latch	RSN08	1
14	VT0005882	Return sprocket	2 falls	1
15	VT0008733	Complete chain bucket	6 m for 7x20 10 m for 5x14	1
15	VT0008734	Complete chain bucket	16 m for 7x20	1
15	VT0008736	Complete chain bucket	30 m for 7x20	1
16	VT0009160	Fixing set of chain bucket		1
17	VT0008555	Springs set		1
18	VT0007405	Slack fall stop	2 falls	1
19	VT0005544	Galvanized chain - 7x20	Standard	1
19	VT0006352	Stainless steel chain - 7x20	Be careful : hoist downgraded	1
20	VT0005575	Chain tools		1
21	VT0006025	Oil can		1
22	VT0008130	Fixing module		1

2.3. Precut chain

Item	Reference	Description	Observation	Quantity
	<u>53021120</u>	Galvanized load chain - 7x20	5 meters	1
	<u>53021122</u>	Galvanized load chain - 7x20	6 meters	1
	<u>53021782</u>	Galvanized load chain - 7x20	8 meters	1
	<u>53022502</u>	Galvanized load chain - 7x20	10 meters	1
	<u>53022511</u>	Galvanized load chain - 7x20	11 meters	1
	<u>53022512</u>	Galvanized load chain - 7x20	13 meters	1
	<u>53022523</u>	Galvanized load chain - 7x20	18 meters	1
	<u>53022525</u>	Galvanized load chain - 7x20	100 meters	1

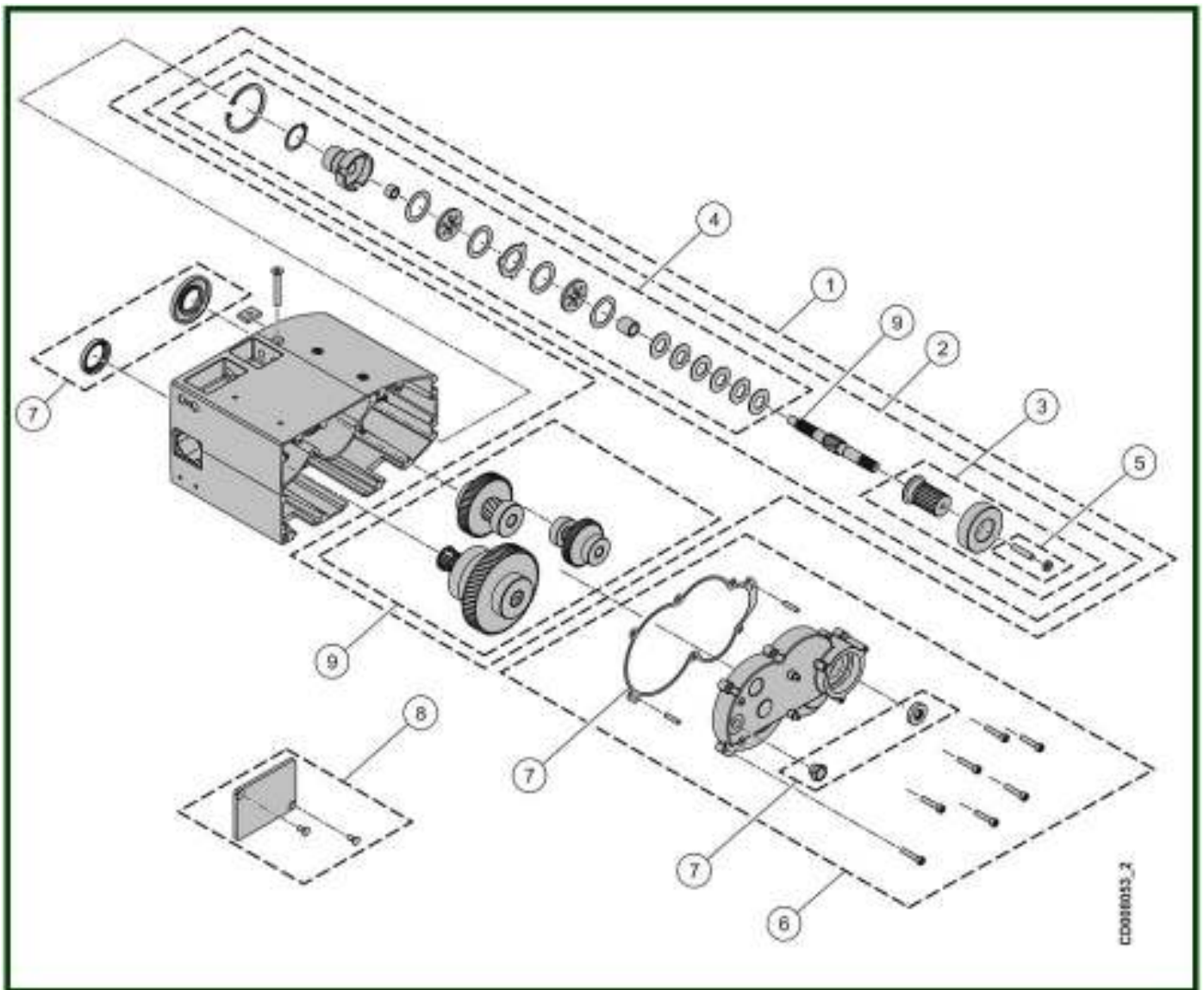
3. Gear - Single brake

Serial number request



3.1. Standard

Serial number request



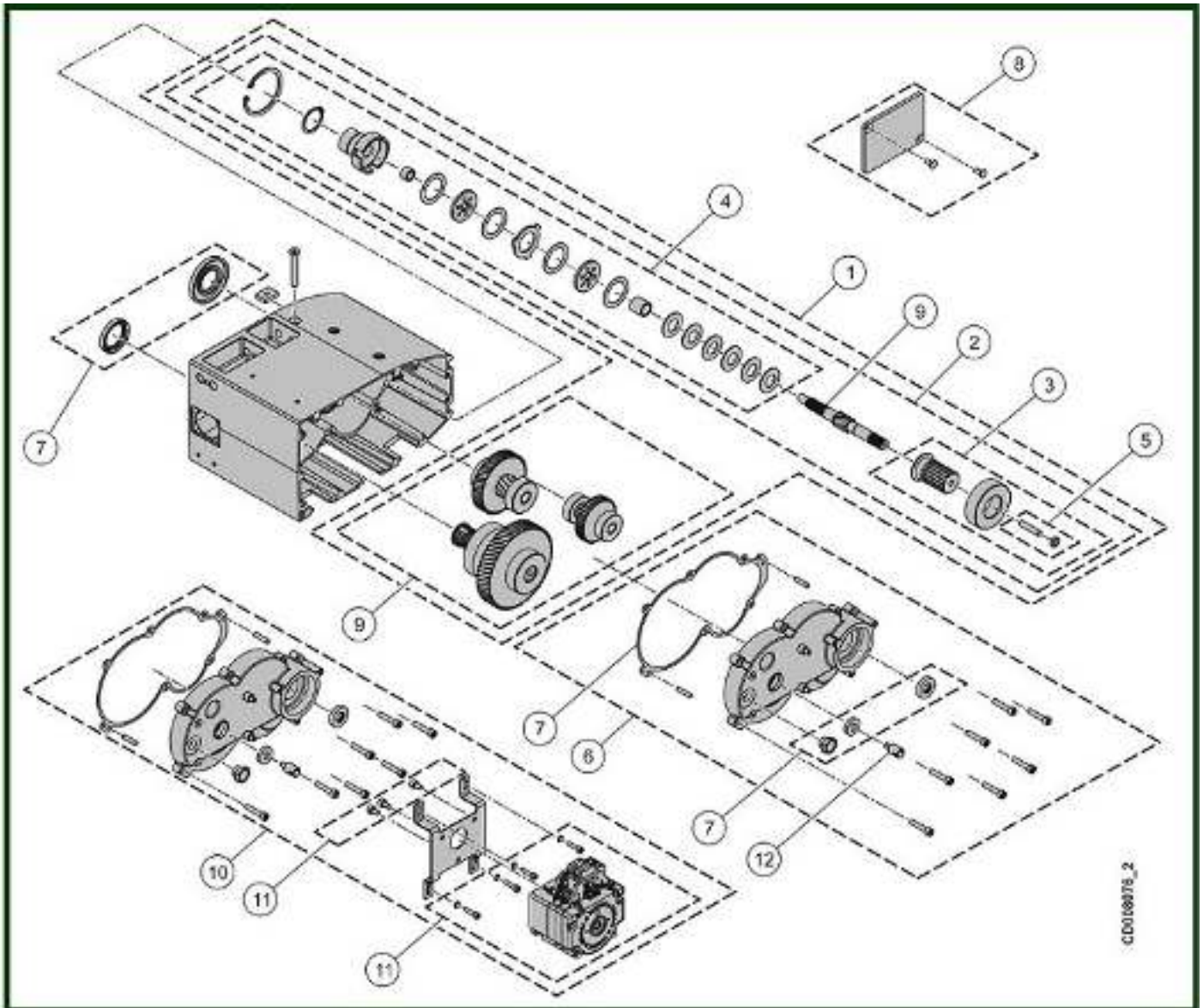
Standard gear

Serial number request

Item	Reference	Description	Observations	Quantity
1	<u>VT0008163</u>	Gear / pinion set	10 m / min	1
1	<u>VT0008167</u>	Gear / pinion set	20 m / min	1
1	<u>VT0006398</u>	Gear / pinion set	8 m/min	1
1	<u>VT0007559</u>	Gear / pinion set	16 m/min	1
2	<u>VT0005896</u>	Gear shaft with clutch	8-10-16-20m/min	1
3	<u>VT0005897</u>	Coupling - Brake side		1
4	<u>VT0007747</u>	Clutch with retaining ring		1
5	<u>VT0005898</u>	Screws set		1
6	<u>VT0008173</u>	Gear housing set		1
7	<u>VT0006526</u>	Sealings set		1
8	<u>VT0008117</u>	Cap - Chain guide		1
9	<u>VT0005890</u>	Gear assembly	8 m / min	1
9	<u>VT0005891</u>	Gear assembly	10 m / min	1
9	<u>VT0005892</u>	Gear assembly	16 m / min	1
9	<u>VT0005893</u>	Gear assembly	20 m / min	1

3.2. Gear limit switch - 2 comes

Serial number request



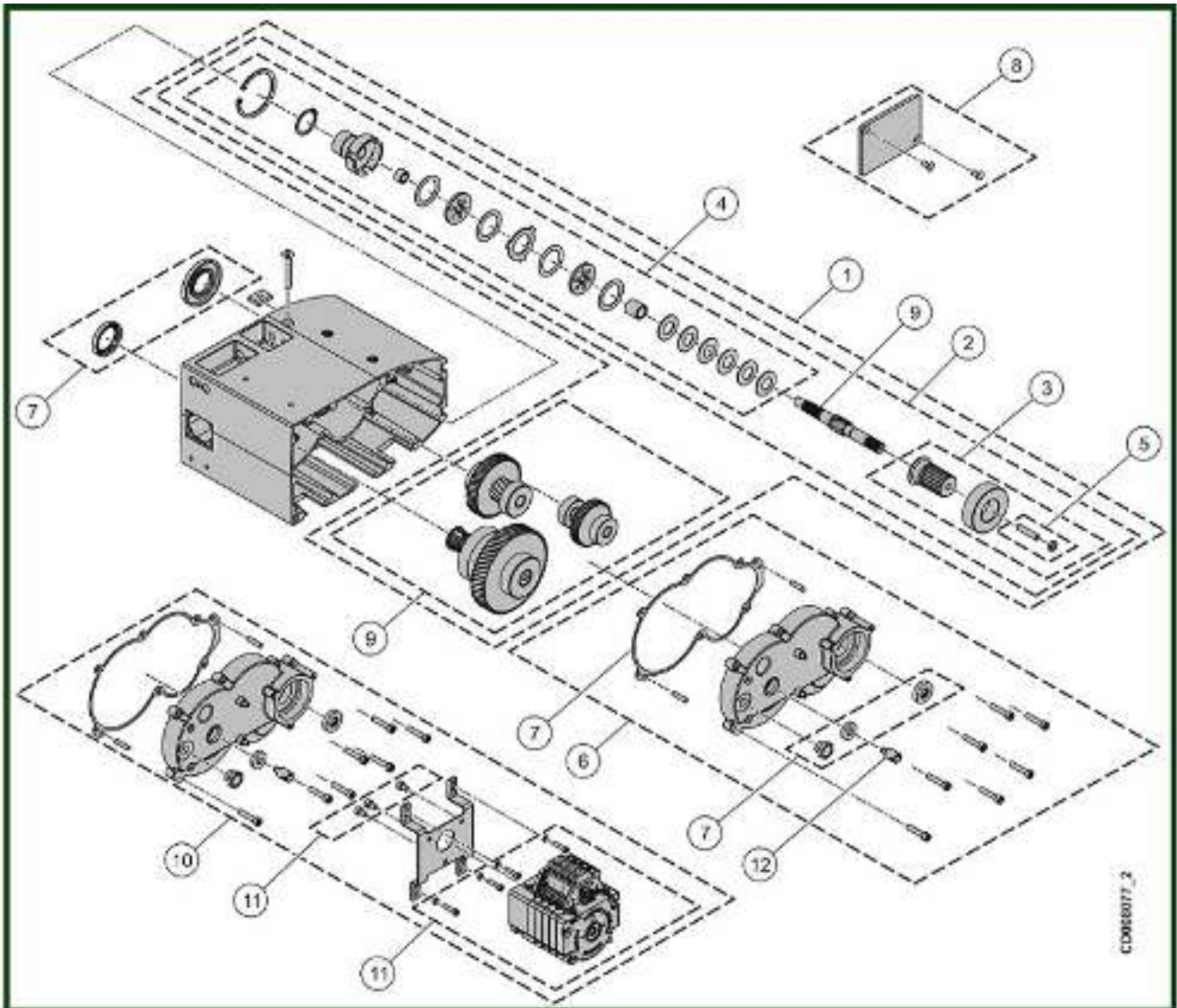
Gear limit switch - 2 comes

Serial number request

Item	Reference	Description	Observation	Quantity
1	<u>VT0008163</u>	Gear / pinion set	10 m / min	1
1	<u>VT0008167</u>	Gear / pinion set	20 m / min	1
1	<u>VT0006398</u>	Gear / pinion set	8 m/min	1
1	<u>VT0007559</u>	Gear / pinion set	16 m/min	1
2	<u>VT0005896</u>	Gear shaft with clutch	8-10-16-20m/min	1
3	<u>VT0005897</u>	Coupling - Brake side		1
4	<u>VT0007747</u>	Clutch with retaining ring	16 m / min	1
5	<u>VT0005898</u>	Screws set	20 m / min	1
6	<u>VT0008174</u>	Gear housing set		1
7	<u>VT0006527</u>	Sealings set		1
8	<u>VT0008117</u>	Cap - Chain guide		1
9	<u>VT0005890</u>	Gear assembly	8 m / min	1
9	<u>VT0005891</u>	Gear assembly	10 m / min	1
9	<u>VT0005892</u>	Gear assembly	16 m / min	1
9	<u>VT0005893</u>	Gear assembly	20 m / min	1
10	<u>VT0013821</u>	Gearbox housing set	2cams	1
11	<u>VT0006113</u>	Gear limit switch - 2 comes	36m : 1 fall - 18m : 2 falls	1
12	<u>VT0008171</u>	Gear wheel		1

3.3. Gear limit switch - 4 cames

Serial number request



CDMS0077_2

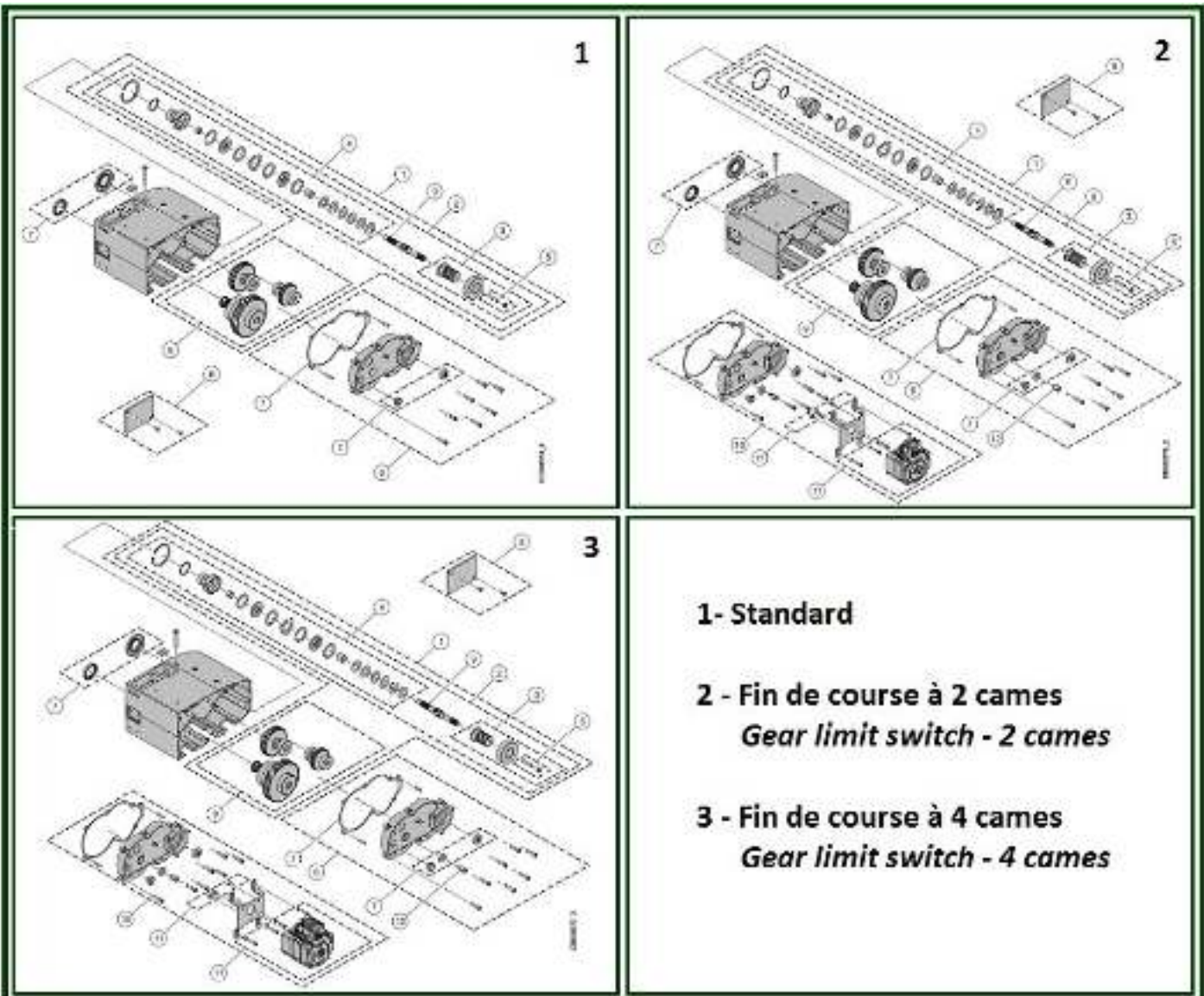
Gear limit switch - 4 comes

Serial number request

Item	Reference	Description	Observation	Quantity
1	<u>VT0008163</u>	Gear / pinion set	10 m / min	1
1	<u>VT0008167</u>	Gear / pinion set	20 m / min	1
1	<u>VT0006398</u>	Gear / pinion set	8 m/min	1
1	<u>VT0007559</u>	Gear / pinion set	16 m/min	1
2	<u>VT0005896</u>	Gear shaft with clutch	8-10-16-20m/min	1
3	<u>VT0005897</u>	Coupling - Brake side		1
4	<u>VT0007747</u>	Clutch with retaining ring	16 m / min	1
5	<u>VT0005898</u>	Screws set	20 m / min	1
6	<u>VT0008174</u>	Gear housing set		1
7	<u>VT0006527</u>	Sealings set		1
8	<u>VT0008117</u>	Cap - Chain guide		1
9	<u>VT0005890</u>	Gear assembly	8 m / min	1
9	<u>VT0005891</u>	Gear assembly	10 m / min	1
9	<u>VT0005892</u>	Gear assembly	16 m / min	1
9	<u>VT0005893</u>	Gear assembly	20 m / min	1
10	<u>VT0013822</u>	Gearbox housing set	4 cam	1
11	<u>VT0006252</u>	Rotating limit switch - 4 steps	36m : 1 fall - 18m : 2 falls	1
12	<u>VT0008171</u>	Gear wheel		1

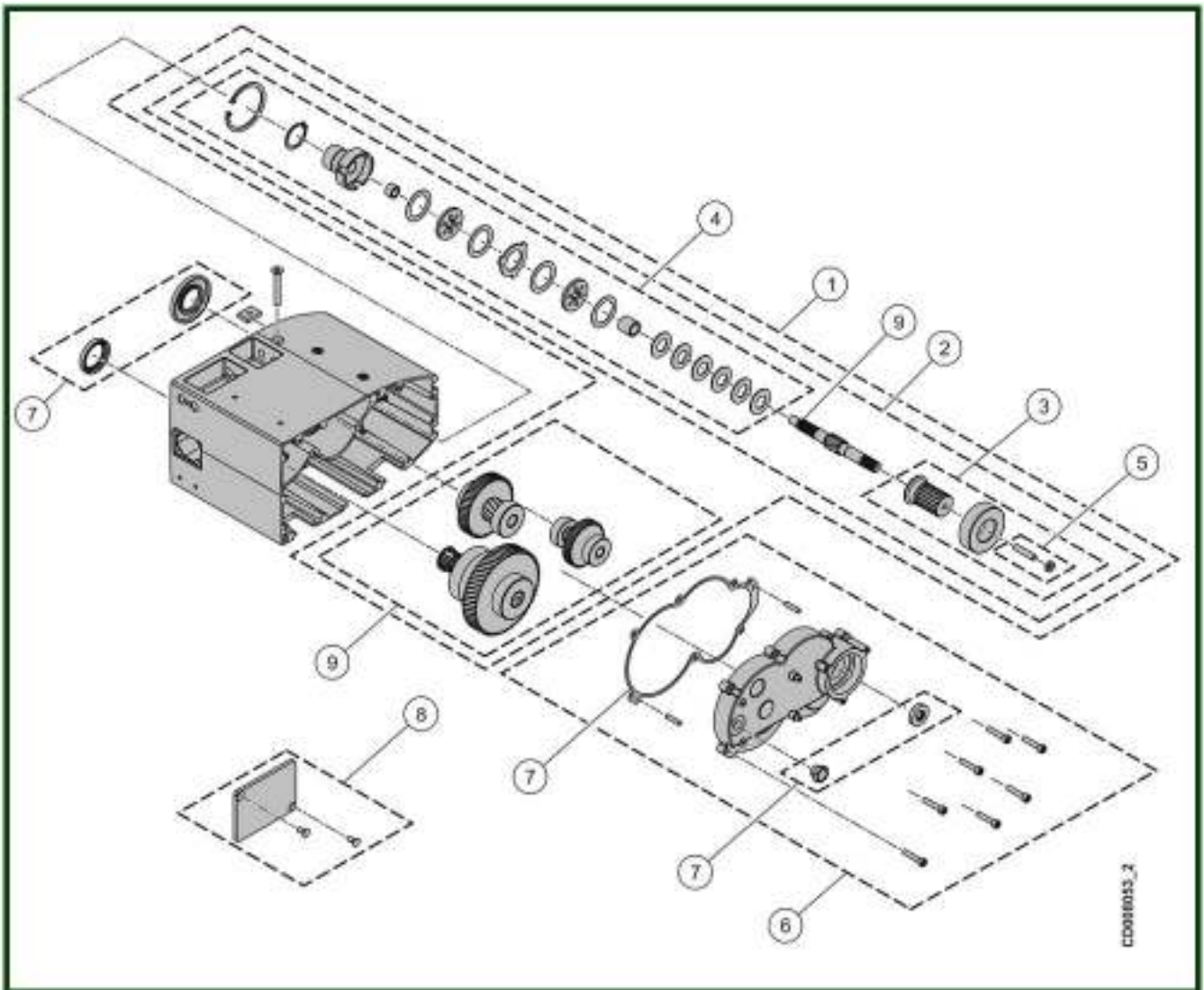
4. GEAR - Double brakes

Serial number request



4.1. Standard

Serial number request

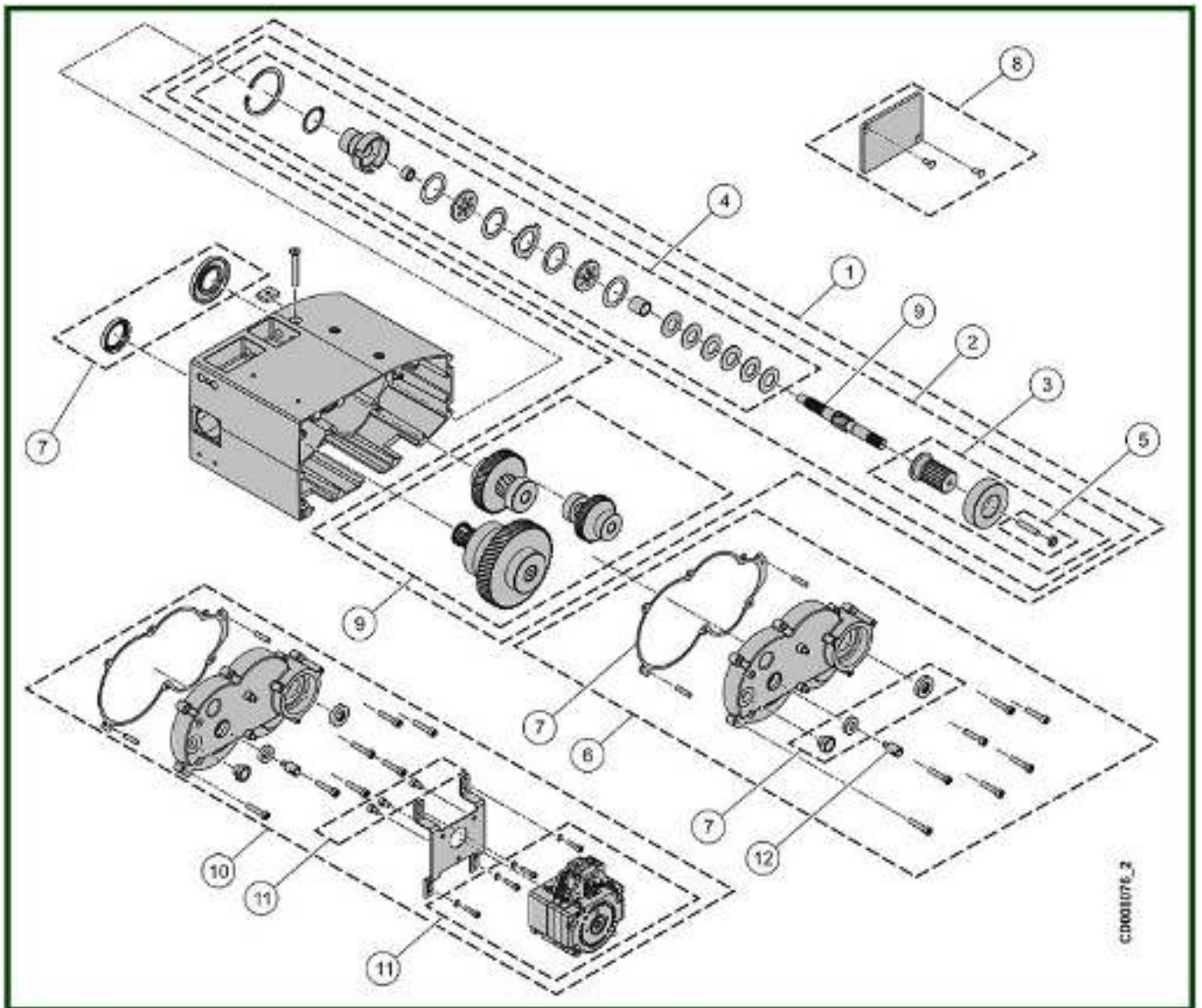


Standard - Gear

Item	Reference	Description	Observations	Quantity
1	<u>VT0008169</u>	Gear / pinion set	10 m / min	1
1	<u>VT0008170</u>	Gear / pinion set	20 m / min	1
1	<u>VT0006970</u>	Gear / pinion set	8 m/min	1
1	<u>VT0007560</u>	Gear / pinion set	16 m/min	1
2	<u>VT0006969</u>	Gear shaft with clutch	8-10-16-20m/min	1
3	<u>VT0006525</u>	Coupling - Brake side		1
4	<u>VT0007747</u>	Clutch with retaining ring		1
5	<u>VT0005898</u>	Screws set		1
6	<u>VT0008173</u>	Gear housing set		1
7	<u>VT0006527</u>	Sealings set		1
8	<u>VT0008117</u>	Cap - Chain guide		1
9	<u>VT0005890</u>	Gear assembly	8 m / min	1
9	<u>VT0005891</u>	Gear assembly	10 m / min	1
9	<u>VT0005892</u>	Gear assembly	16 m / min	1
9	<u>VT0005893</u>	Gear assembly	20 m / min	1

4.2. Gear limit switch - 2 comes

Serial number request



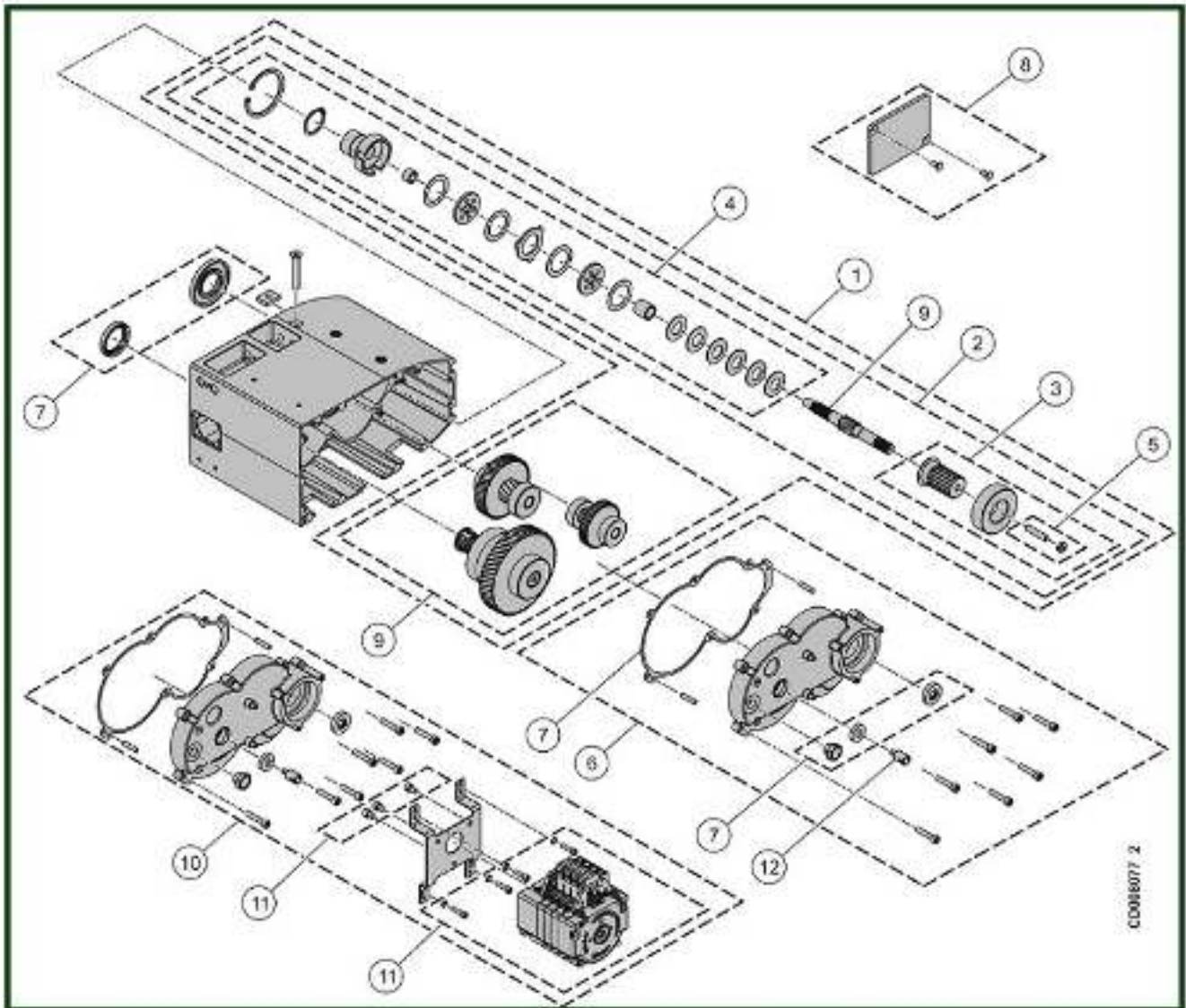
Gear limit switch - 2 comes

Serial number request

Item	Reference	Description	Observation	Quantity
1	<u>VT0008169</u>	Gear / pinion set	10 m / min	1
1	<u>VT0008170</u>	Gear / pinion set	20 m / min	1
1	<u>VT0006970</u>	Gear / pinion set	8 m/min	1
1	<u>VT0007560</u>	Gear / pinion set	16 m/min	1
2	<u>VT0006969</u>	Gear shaft with clutch	8-10-16-20m/min	1
3	<u>VT0006525</u>	Coupling - Brake side		1
4	<u>VT0007747</u>	Clutch with retaining ring		1
5	<u>VT0005898</u>	Screws set		1
6	<u>VT0008174</u>	Gear housing set		1
7	<u>VT0006526</u>	Sealings set	Standard + FDC	1
8	<u>VT0008117</u>	Cap - Chain guide		1
9	<u>VT0005890</u>	Gear assembly	8 m / min	1
9	<u>VT0005891</u>	Gear assembly	10 m / min	1
9	<u>VT0005892</u>	Gear assembly	16 m / min	1
9	<u>VT0005893</u>	Gear assembly	20 m / min	1
10	<u>VT0013821</u>	Gearbox housing set		1
11	<u>VT0006113</u>	Gear limit switch - 2 comes	36m : 1 fall - 18m : 2 falls	1
12	<u>VT0008171</u>	Gear wheel		1

4.3. Gear limit switch - 4 cames

Serial number request



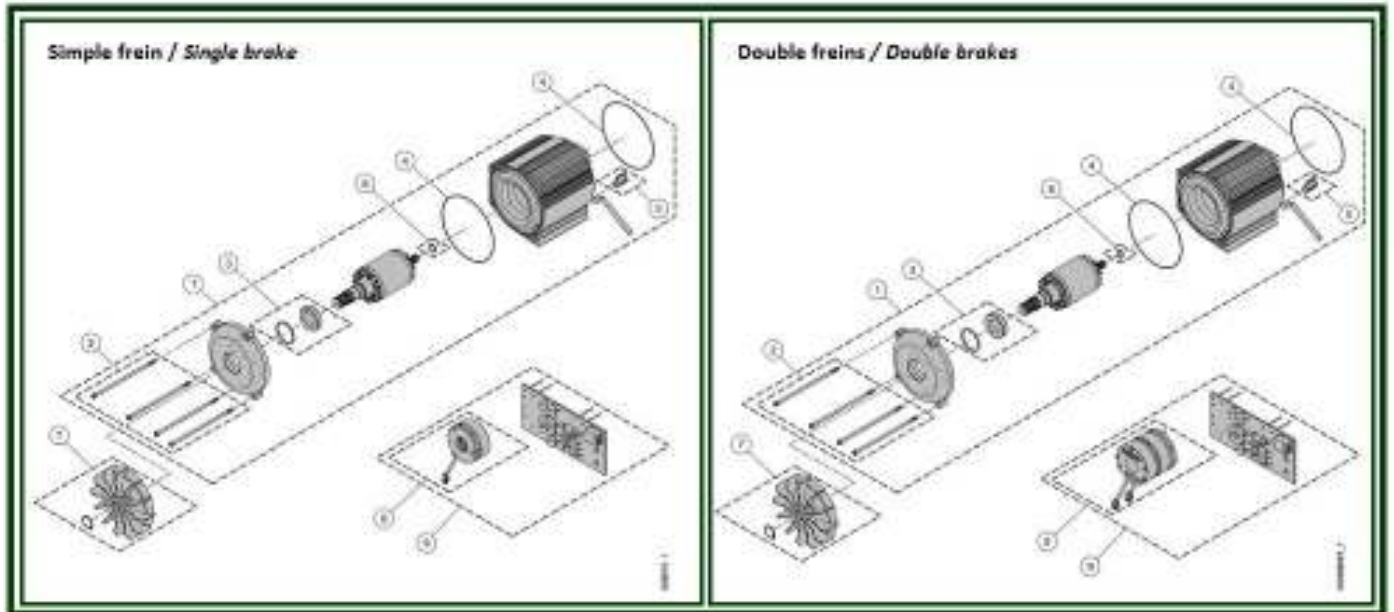
Gear limit switch - 4 comes

Serial number request

Item	Reference	Description	Observation	Quantity
1	<u>VT0006970</u>	Gear / pinion set	8 m/min	1
1	<u>VT0008169</u>	Gear / pinion set	10 m / min	1
1	<u>VT0007560</u>	Gear / pinion set	16 m/min	1
1	<u>VT0008170</u>	Gear / pinion set	20 m / min	1
2	<u>VT0006969</u>	Gear shaft with clutch	8-10-16-20m/min	1
3	<u>VT0006525</u>	Coupling - Brake side		1
4	<u>VT0007747</u>	Clutch with retaining ring		1
5	<u>VT0005898</u>	Screws set		1
6	<u>VT0008174</u>	Gear housing set		1
7	<u>VT0006526</u>	Sealings set	Standard + FDC	1
8	<u>VT0008117</u>	Cap - Chain guide		1
9	<u>VT0005890</u>	Gear assembly	8 m / min	1
9	<u>VT0005891</u>	Gear assembly	10 m / min	1
9	<u>VT0005892</u>	Gear assembly	16 m / min	1
9	<u>VT0005893</u>	Gear assembly	20 m / min	1
10	<u>VT0013822</u>	Gearbox housing set		1
11	<u>VT0006252</u>	Rotating limit switch - 4 steps	36m : 1 fall - 18m : 2 falls	1
12	<u>VT0008171</u>	Gear wheel		1

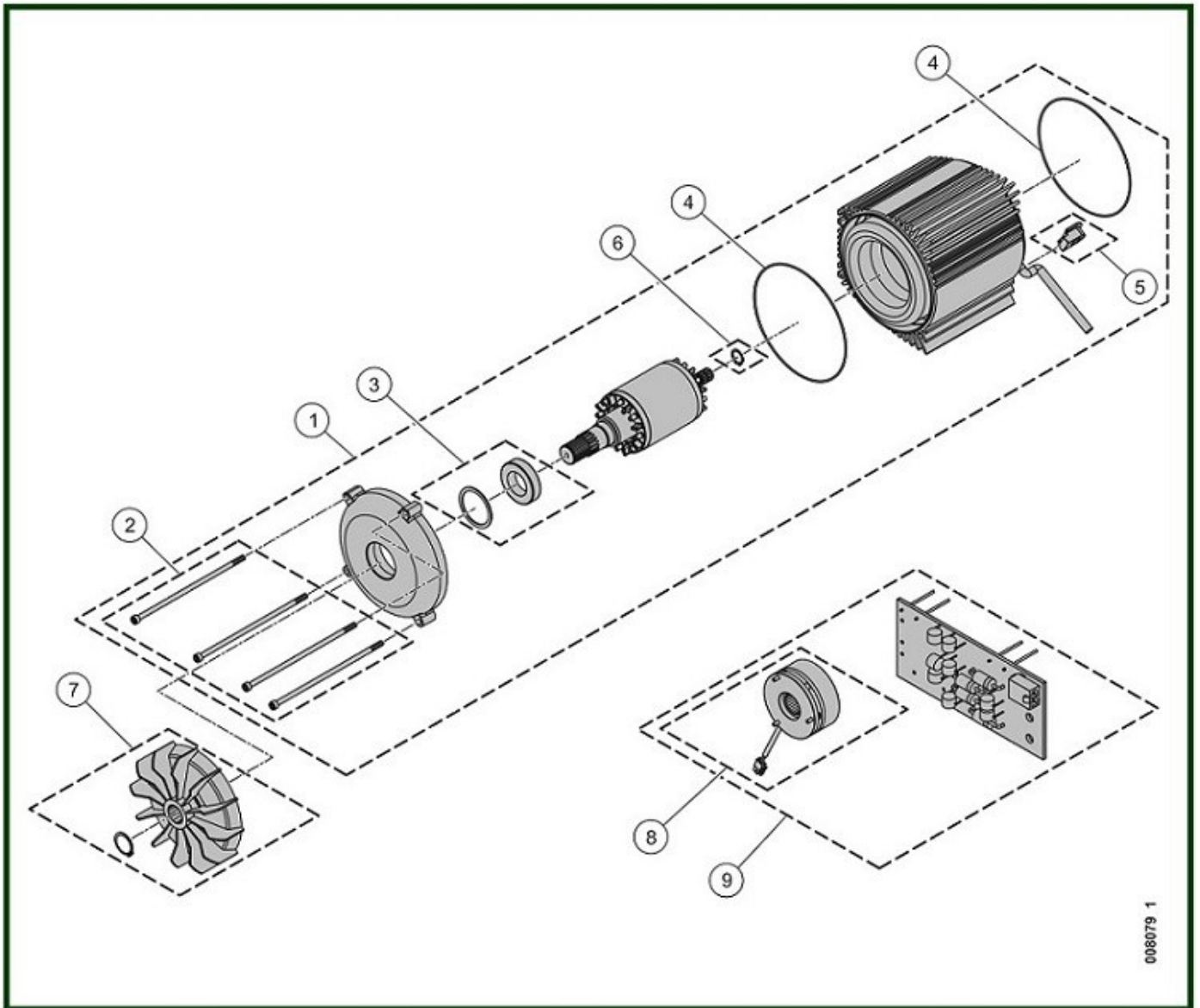
5. MOTOR

Serial number request



5.1. Single brake

Serial number request



008079 1

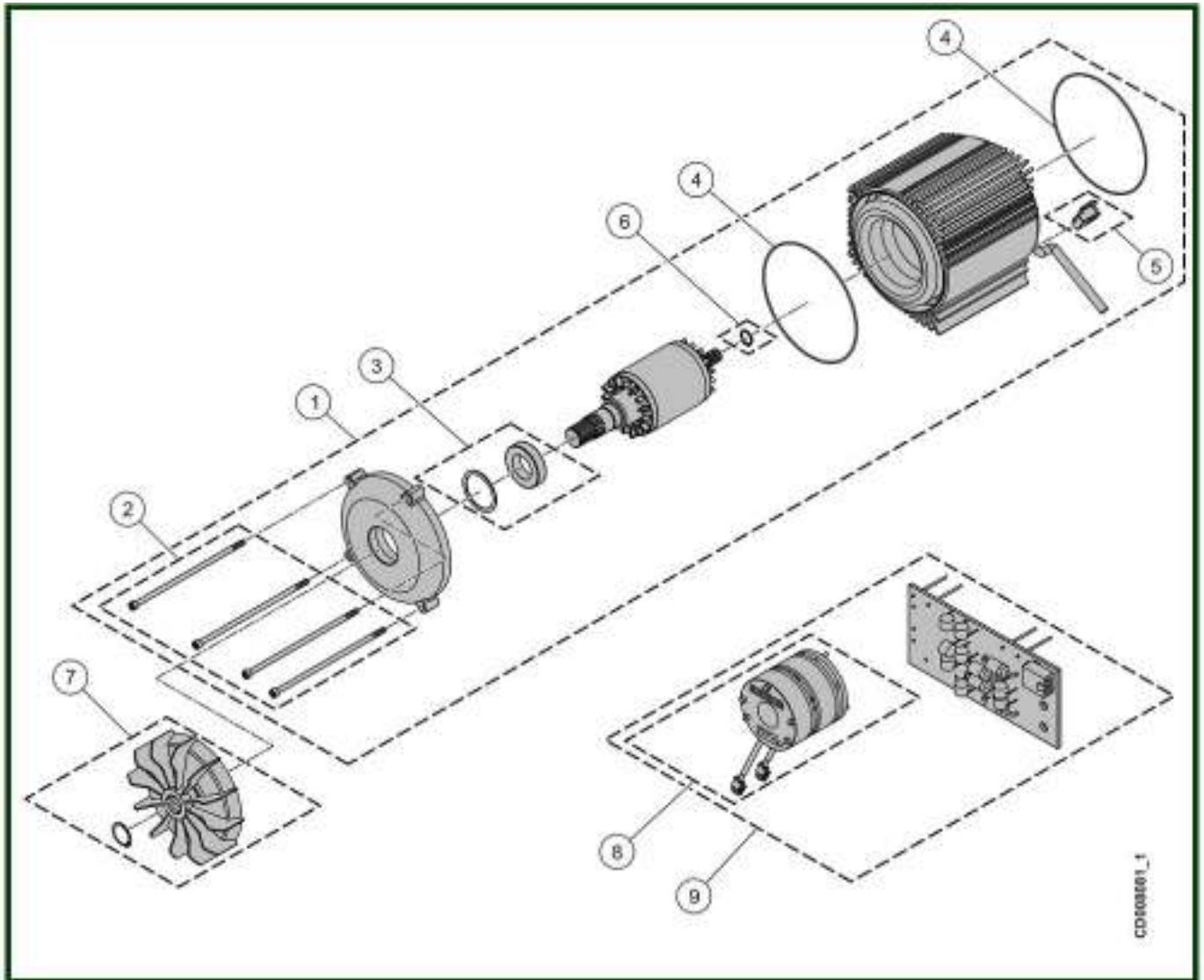
Single brake

Serial number request

Item	Reference	Description	Observation	Quantity
1	<u>VT0008145</u>	Motor - 1 speed (2:6)	500-525V:50Hz / 575-600V:60Hz	1
1	<u>VT0008144</u>	Motor - 2 speeds (1:6)	500-525V:50Hz / 575-600V:60Hz	1
1	<u>VT0008140</u>	Motor - 2 speeds (1:6)	208-230V:60Hz	1
1	<u>VT0008139</u>	Motor - 2 speeds (1:6)	220-240V:50Hz	1
1	<u>VT0008138</u>	Motor - 2 speeds (1:6)	380-415V 50Hz / 440-480V 60Hz	1
1	<u>VT0008142</u>	Motor - 2 speeds (1:6)	660-690V 50Hz	1
1	<u>VT0008141</u>	Motor - 2 speeds (1:6)	660-690V:50Hz	1
1	<u>VT0008143</u>	Motor - 2 speeds (1:6)	660-690V:60Hz	1
1	<u>VT0008150</u>	Motor - 2 speeds (2:6)	208-230V:60Hz	1
1	<u>VT0008148</u>	Motor - 2 speeds (2:6)	220-240V:50Hz	1
1	<u>VT0008151</u>	Motor - 2 speeds (2:6)	380-400V:60Hz	1
1	<u>VT0008147</u>	Motor - 2 speeds (2:6)	380-415V:50Hz / 440-480V:60Hz	1
1	<u>VT0008149</u>	Motor - 2 speeds (2:6)	500-525V:50Hz / 575-600V:60Hz	1
2	<u>VT0005917</u>	Screws set		1
3	<u>VT0005912</u>	Bearing set		1
4	<u>VT0008374</u>	Sealings		1
5	<u>VT0008152</u>	Grommet		1
6	<u>VT0005916</u>	Retaining ring		1
7	<u>VT0005915</u>	Fan set		1
8	<u>VT0005621</u>	Single brake	103 V	1
8	<u>VT0005620</u>	Single brake	190 V	1
8	<u>VT0005877</u>	Single brake	255 V	1
8	<u>VT0006395</u>	Single brake	320 V	1
9	<u>VT0005879</u>	Single brake 103V + Rectifier	Brake 100 VCC	1
9	<u>VT0005878</u>	Single brake 190V + Rectifier	Brake 180 VCC	1
9	<u>VT0005880</u>	Single brake 255V + Rectifier	Brake 240 VCC	1
9	<u>VT0006554</u>	Single brake 320V + Rectifier		1

5.2. Double brakes

Serial number request

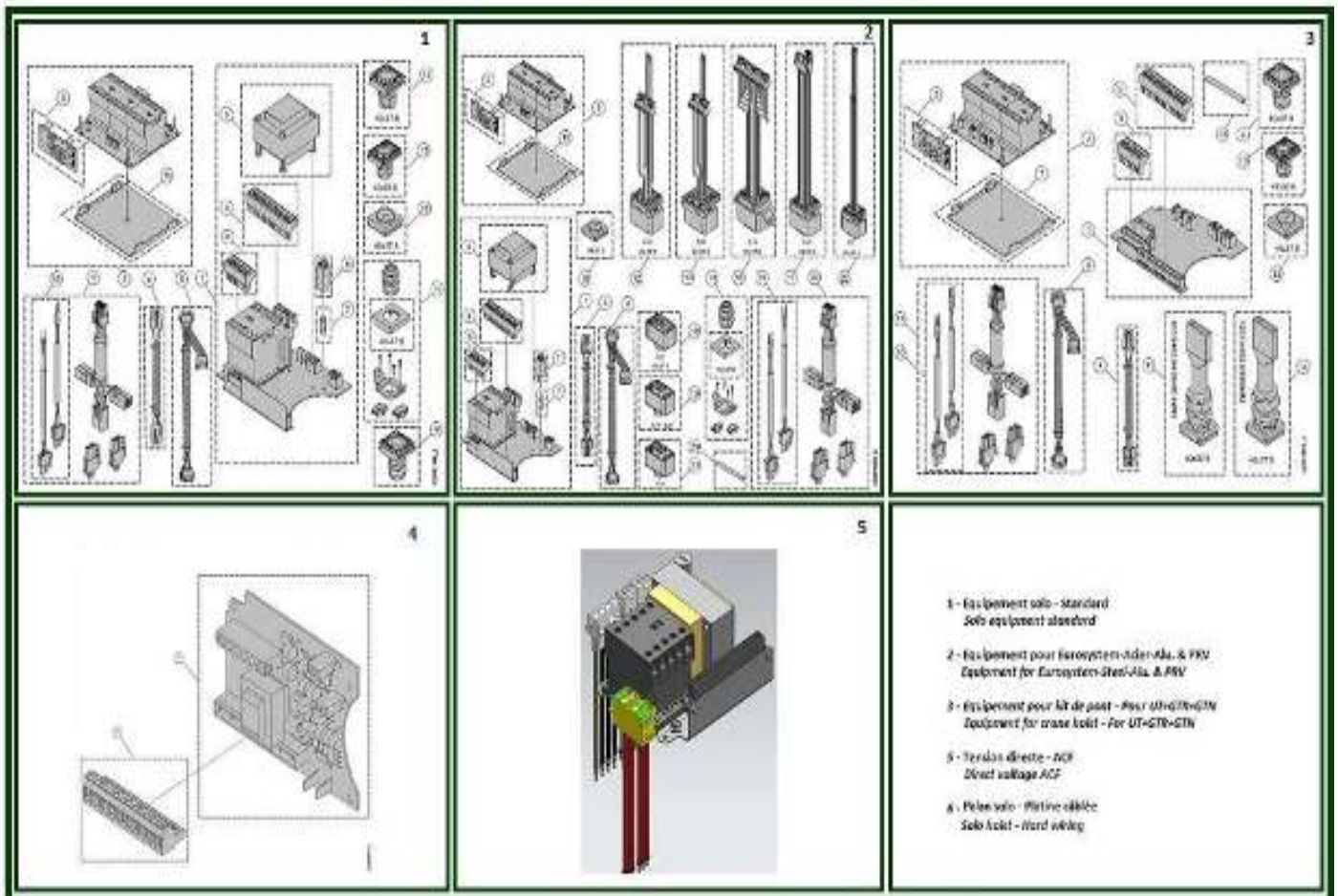


Double brakes

Item	Reference	Description	Observation	Quantity
1	VT0008145	Motor - 1 speed (2:6)	500-525V:50Hz / 575-600V:60Hz	1
1	VT0008144	Motor - 2 speeds (1:6)	500-525V:50Hz / 575-600V:60Hz	1
1	VT0008140	Motor - 2 speeds (1:6)	208-230V:60Hz	1
1	VT0008139	Motor - 2 speeds (1:6)	220-240V:50Hz	1
1	VT0008138	Motor - 2 speeds (1:6)	380-415V 50Hz / 440-480V 60Hz	1
1	VT0008142	Motor - 2 speeds (1:6)	660-690V 50Hz	1
1	VT0008141	Motor - 2 speeds (1:6)	660-690V:50Hz	1
1	VT0008143	Motor - 2 speeds (1:6)	660-690V:60Hz	1
1	VT0008150	Motor - 2 speeds (2:6)	208-230V:60Hz	1
1	VT0008148	Motor - 2 speeds (2:6)	220-240V:50Hz	1
1	VT0008151	Motor - 2 speeds (2:6)	380-400V:60Hz	1
1	VT0008147	Motor - 2 speeds (2:6)	380-415V:50Hz / 440-480V:60Hz	1
1	VT0008149	Motor - 2 speeds (2:6)	500-525V:50Hz / 575-600V:60Hz	1
2	VT0005917	Screws set		1
3	VT0005912	Bearing set		1
4	VT0008374	Sealings		2
5	VT0008152	Grommet		1
6	VT0005916	Retaining ring		1
7	VT0005915	Fan set		1
8	VT0006531	Double brakes	103 V	1
8	VT0006551	Double brakes	190 V	1
8	VT0006552	Double brakes	255 V	1
8	VT0006553	Double brakes	320 V	1
9	VT0005913	Double brakes 103V + Rectifier		1
9	VT0005911	Double brakes 190V + Rectifier		1
9	VT0005914	Double brakes 255V + Rectifier		1
9	VT0006555	Double brakes 320V + Rectifier		1

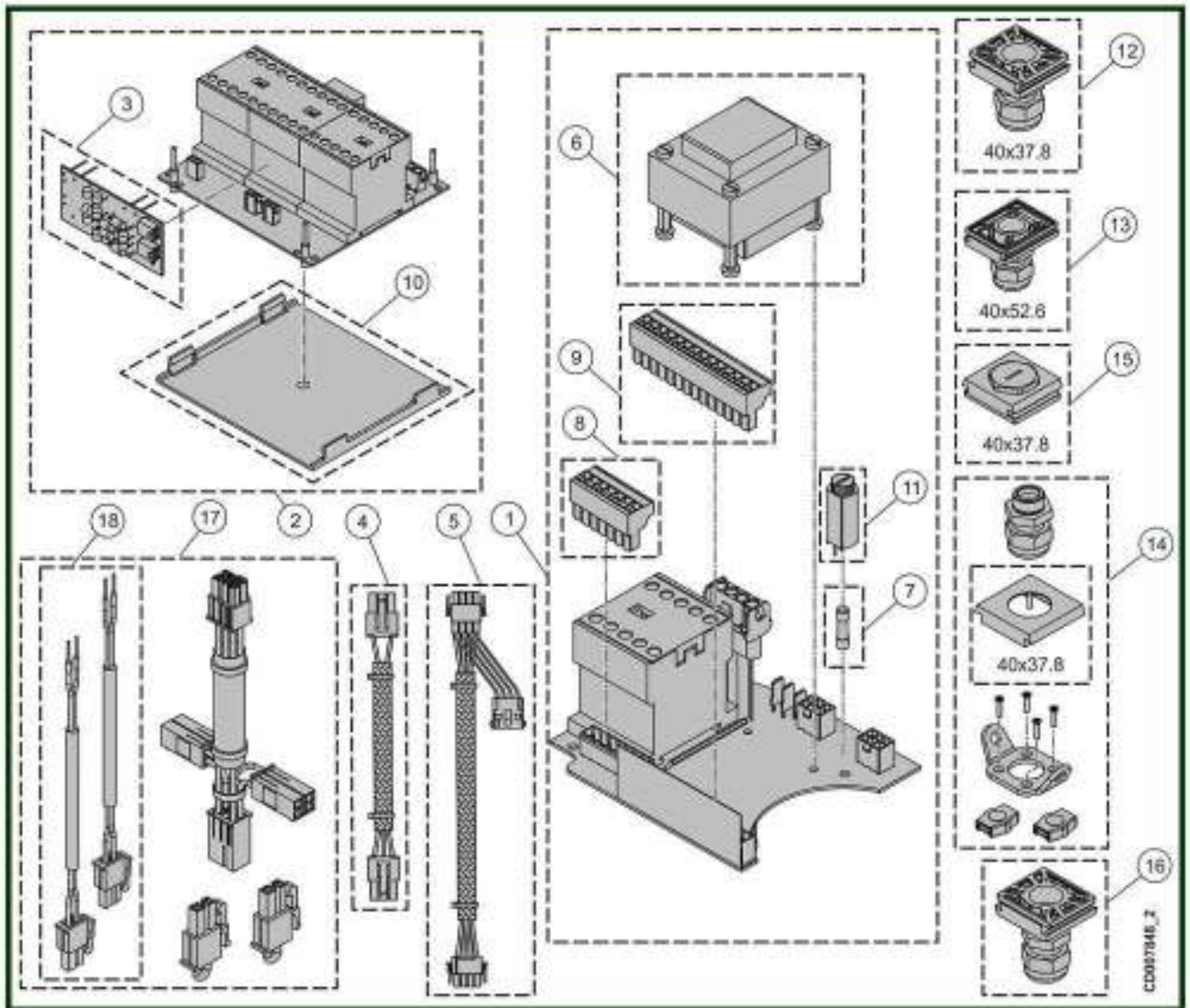
6. ELECTRIC PARTS

Serial number request



6.1. Solo equipment- Standard

Serial number request



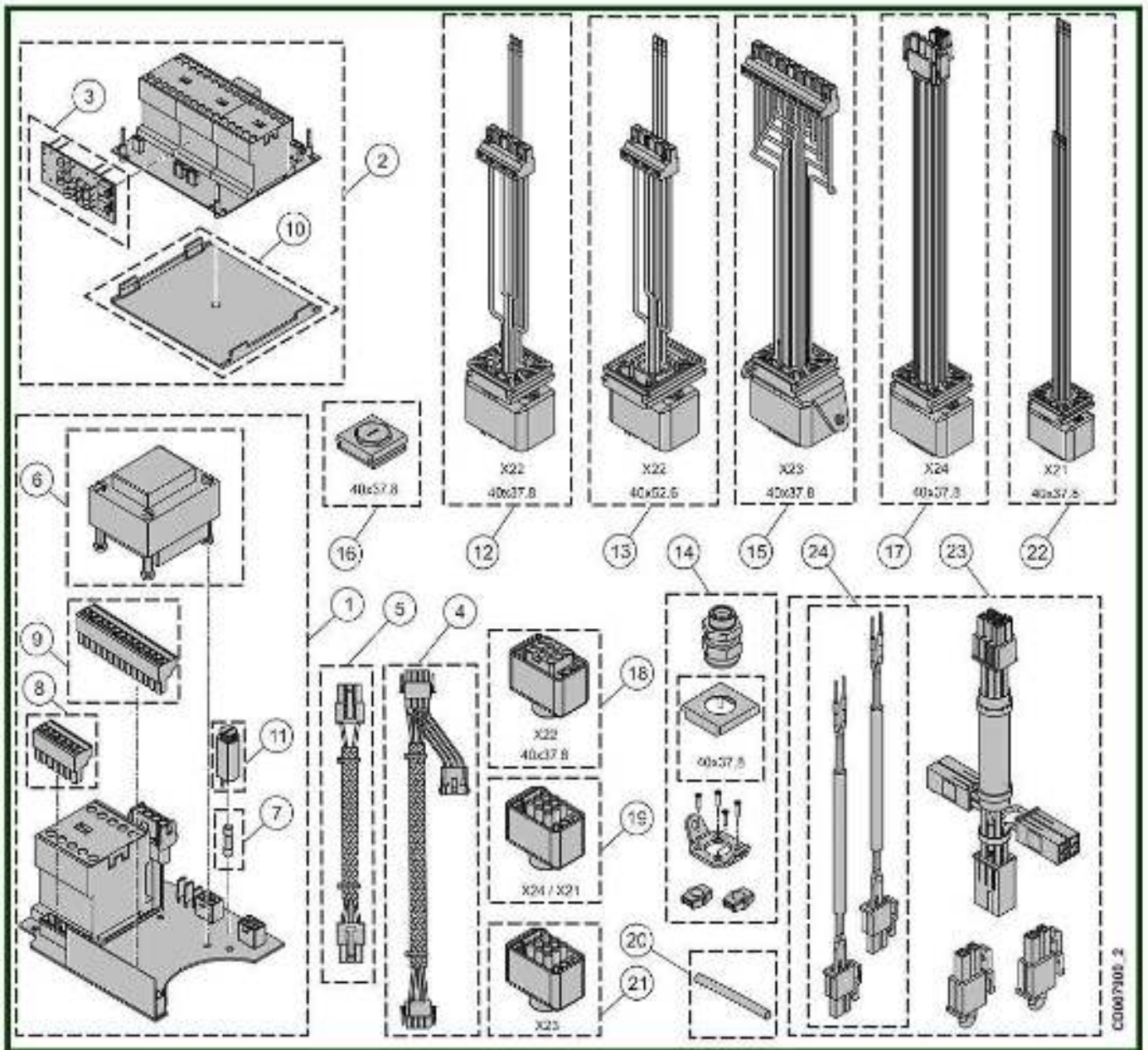
Solo equipment – Standard

Item	Reference	Description	Observation	Quantity
1	VT0006431	Power supply board - Solo hoist	208V 230V / 110V CI/PC	1
1	VT0006430	Power supply board - Solo hoist	230V / 48V CI/PC	1
1	VT0004944	Power supply board - Solo hoist	400V / 24V CI/PC BOARD	1
1	VT0004942	Power supply board - Solo hoist	400V / 48V CI/PC BOARD	1
1	VT0005312	Power supply board - Solo hoist	400V / 110V CI/PC BOARD	1
1	VT0005313	Power supply board - Solo hoist	400V / 230V CI/PC BOARD	1
1	VT0006432	Power supply board - Solo hoist	460V / 48V CI/PC BOARD	1
1	VT0006433	Power supply board - Solo hoist	460V / 110V CI/PC BOARD	1
1	VT0006434	Power supply board - Solo hoist	500V / 48V CI/PC BOARD	1
1	VT0006446	Power supply board - Solo hoist	500V / 110V CI/PC BOARD	1
1	VT0006435	Power supply board - Solo hoist	575V / 48V CI/PC BOARD	1
1	VT0006447	Power supply board - Solo hoist	575V / 110V CI/PC BOARD	1
2	VT0005302	Motor control board - 2 speeds - 1 brake	230V-690V / 24V / 50 60Hz	1
2	VT0004945	Motor control board - 2 speeds - 1 brake	230V-690V / 48V / 50-60Hz	1
2	VT0005303	Motor control board - 2 speeds - 1 brake	230V-690V / 110V / 50-60Hz	1
2	VT0005304	Motor control board - 2 speeds - 1 brake	230V-690V/ 230V / 50-60Hz	1
2	VT0005305	Motor control board - 2 speeds - 2 brakes	230V-690V / 24V /50-60Hz	1
2	VT0005306	Motor control board - 2 speeds - 2 brakes	230V-690V / 48V / 50-60Hz	1
2	VT0005307	Motor control board - 2 speeds - 2 brakes	230V-690V / 50-60Hz	1
2	VT0005308	Motor control board - 2 speeds - 2 brakes	230V-690V/ 230V / 50-60Hz	1
3	VT0004946	Rectifier - 1 brake	230V-690V	1
3	VT0004947	Rectifier - 2 brakes	230V-690V	1
3	VT0004948	Reconnectable rectifier	208V-690V	1
4	VT0004949	Wire harness / Plug control voltage		1
5	VT0004950	Wire harness / Plug power voltage		1
6	VT0006439	Transformer	208V 230V / 115V	1
6	VT0006325	Transformer	230V / 48V	1
6	VT0004952	Transformer	400V / 24V	1
6	VT0004953	Transformer	400V / 48V – 50-60Hz	1
6	VT0004951	Transformer	400V / 115V – 50-60Hz	1
6	VT0004954	Transformer	400V / 230V	1
6	VT0006437	Transformer	460V / 48V	1
6	VT0006440	Transformer	460V / 110V 50-60Hz	1
6	VT0006436	Transformer	500V / 48V	1
6	VT0006438	Transformer	575V / 48V	1

6	<u>VT0008540</u>	Transformer	575V / 110V	1
7	<u>VT0004915</u>	Set of 10 fuses	48V	1
7	<u>VT0004955</u>	Set of 10 fuses	115V	1
7	<u>VT0008541</u>	Set of 10 fuses	230V	1
8	<u>VT0005107</u>	Power supply connector	4P	1
9	<u>VT0005108</u>	Control voltage connector	14P	1
10	<u>VT0006441</u>	Insulation plate		1
11	<u>VT0006191</u>	Fuse base		1
12	<u>VT0006393</u>	Cable gland set Square cable entry	CG M20- ISO 20 Trolley - Power supply	1
13	<u>VT0005089</u>	Cable gland set Square rectangular entry	Power supply Only VR2	1
14	<u>VT0005090</u>	Cable gland set Square cable entry	Push button	1
15	<u>VT0006089</u>	Bouchon Square cable entry		1
16	<u>VT0006326</u>	Cable gland set Square cable entry	Flat cable - 4G2.5	1
17	<u>VT0008551</u>	Set of connection Gear Limit Switch	MS + GLS	1
18	<u>VT0008550</u>	GLS cable - 600mm - 24-230V 50-60Hz	2 for 2 steps or 4 for 4 steps	1
-	<u>VT0006967</u>	Time counter		1

6.2. Equipment for Eurosystem - Steel - Alu. & PRV

Serial number request



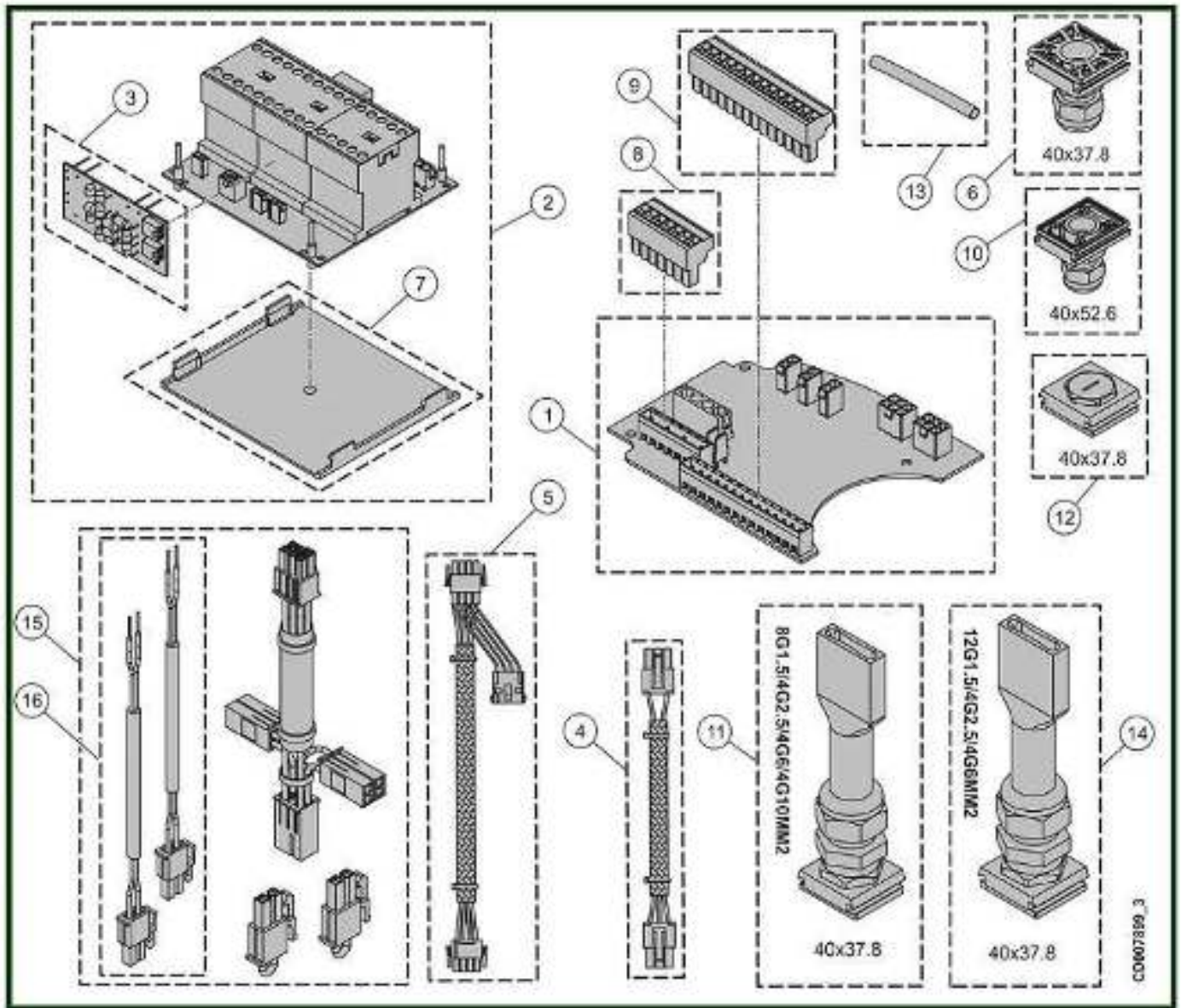
Equipment for Eurosystem - Steel - Alu. & PRV

Item	Reference	Description	Observation	Quantity
1	VT0006431	Power supply board - Solo hoist	208V 230V / 110V CI/PC - Standard	1
1	VT0006430	Power supply board - Solo hoist	230V / 48V CI/PC - Standard	1
1	VT0004944	Power supply board - Solo hoist	400V / 24V CI/PC BOARD	1
1	VT0004942	Power supply board - Solo hoist	400V / 48V CI/PC BOARD	1
1	VT0005312	Power supply board - Solo hoist	400V / 110V CI/PC BOARD	1
1	VT0005313	Power supply board - Solo hoist	400V / 230V CI/PC BOARD	1
1	VT0006432	Power supply board - Solo hoist	460V / 48V CI/PC BOARD	1
1	VT0006433	Power supply board - Solo hoist	460V / 110V CI/PC BOARD	1
1	VT0006434	Power supply board - Solo hoist	500V / 48V CI/PC BOARD	1
1	VT0006446	Power supply board - Solo hoist	500V / 110V CI/PC BOARD	1
1	VT0006435	Power supply board - Solo hoist	575V / 48V CI/PC BOARD	1
1	VT0006447	Power supply board - Solo hoist	575V / 110V CI/PC BOARD	1
2	VT0005302	Motor control board 2 speeds - 1 brake	230V-690V / 24V / 50 60Hz	1
2	VT0004945	Motor control board 2 speeds - 1 brake	230V-690V / 48V / 50-60Hz	1
2	VT0005303	Motor control board 2 speeds - 1 brake	230V-690V / 110V / 50-60Hz	1
2	VT0005304	Motor control board 2 speeds - 1 brake	230V-690V/ 230V / 50 60Hz	1
2	VT0005305	Motor control board 2 speeds - 2 brakes	230V-690V / 24V /50 60Hz	1
2	VT0005306	Motor control board 2 speeds - 2 brakes	230V-690V / 48V / 50 60Hz	1
2	VT0005307	Motor control board 2 speeds - 2 brakes	230V-690V / 50-60Hz	1
2	VT0005308	Motor control board 2 speeds - 2 brakes	230V-690V/ 230V / 50 60Hz	1
3	VT0004946	Rectifier - 1 brake	230V-690V	1
3	VT0004947	Rectifier - 2 brakes	230V-690V	1
4	VT0004949	Wire harness / Plug control voltage		1
5	VT0004950	Wire harness / Plug power voltage		1
6	VT0006439	Transformer	208V 230V / 115V	1
6	VT0006325	Transformer	230V / 48V	1
6	VT0004952	Transformer	400V / 24V	1
6	VT0004953	Transformer	400V / 48V - 50/60Hz	1
6	VT0004951	Transformer	400V / 115V - 50/60Hz	1
6	VT0004954	Transformer	400V / 230V	1
6	VT0006437	Transformer	460V / 48V	1

6	<u>VT0006440</u>	Transformer	460V / 110V 50/60Hz	1
6	<u>VT0006436</u>	Transformer	500V / 48V	1
6	<u>VT0006438</u>	Transformer	575V / 48V	1
6	<u>VT0008540</u>	Transformer	575V / 110V	1
7	<u>VT0004915</u>	Set of 10 fuses	48V	1
7	<u>VT0004955</u>	Set of 10 fuses	115V	1
7	<u>VT0008541</u>	Set of 10 fuses	230V	1
8	<u>VT0005107</u>	Power supply connector	4P	1
9	<u>VT0005108</u>	Control voltage connector	14P	1
10	<u>VT0006441</u>	Insulation plate		1
11	<u>VT0006191</u>	Fuse base		1
12	<u>VT0007798</u>	Power supply connector square set	X 22 - Hoist side	1
13	<u>VT0007574</u>	Power supply connector rectangular set	X 22 - Hoist side - Only VR2	1
14	<u>VT0005090</u>	Cable gland set Square cable entry	Push button	1
15	<u>VT0007224</u>	Push button connector set	X 23 - Hoist side Movable push button only	1
16	<u>VT0006089</u>	End cap - Square cable entry		1
17	<u>VT0006971</u>	Trolley connector set	X 24 - Hoist side	1
18	<u>VT0007804</u>	Power supply connector set	X 22 - Side flat cable	1
19	<u>VT0007805</u>	Trolley connector set	X 24 - Side flat cable	1
20	<u>VT0007781</u>	Head shrinkable tube		1
21	<u>VT0007806</u>	Push button connector set	X 23 - Side push button Movable push button only	1
22	<u>VT0008135</u>	Crane cubicle connector set	X 21 Hoist side	1
23	<u>VT0008551</u>	Set of connection Gear Limit Switch	FDC MS +GLS	1
24	<u>VT0008550</u>	GLS Cable	2 for 2 steps or 4 for 4 steps	1
-	<u>VT0006967</u>	Time counter		1

6.3. Equipment for crane kit - UT+GTR+GTN

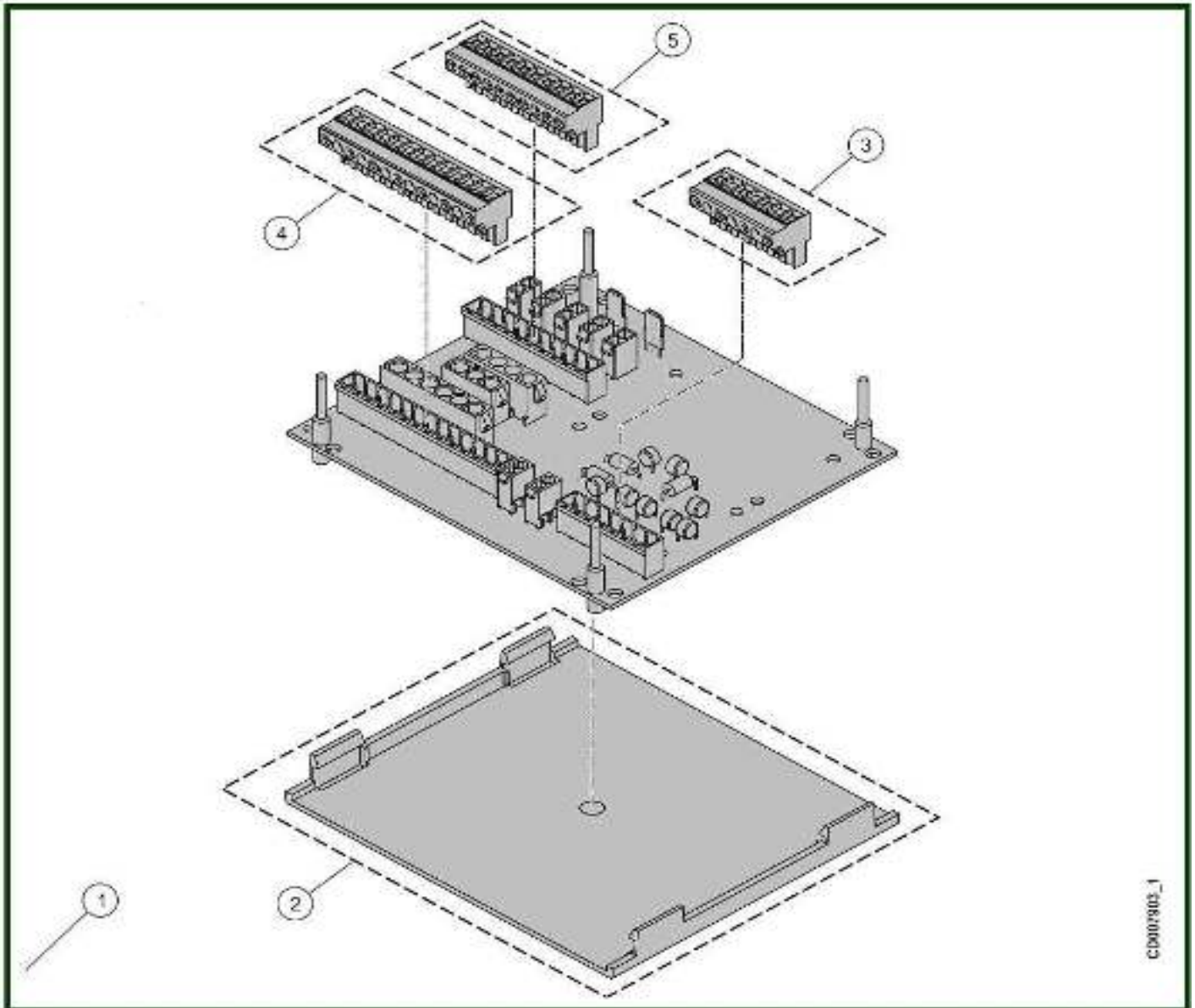
Serial number request



Equipment for crane kit - UT+GTR+GTN

Item	Reference	Description	Observation	Quantity
1	VT0004943	Electrical power crane	230V-690V CI/PC BOARD	1
2	VT0005302	Motor control board 2 speeds - 1 brake	230V-690V / 24V / 50 60Hz	1
2	VT0004945	Motor control board 2 speeds - 1 brake	230V-690V / 48V / 50 60Hz	1
2	VT0005303	Motor control board 2 speeds - 1 brake	230V-690V / 110V / 50 60Hz	1
2	VT0005304	Motor control board 2 speeds - 1 brake	230V-690V/ 230V / 50 60Hz	1
2	VT0005305	Motor control board 2 speeds - 2 brakes	230V-690V / 24V /50 60Hz	1
2	VT0005306	Motor control board 2 speeds - 2 brakes	230V-690V / 48V / 50 60Hz	1
2	VT0005307	Motor control board 2 speeds - 2 brakes	230V-690V / 50-60Hz	1
2	VT0005308	Motor control board 2 speeds - 2 brakes	230V-690V/ 230V / 50 60Hz	1
3	VT0004946	Rectifier - 1 brake	230V-690V	1
3	VT0004947	Rectifier - 2 brakes	230V-690V	1
4	VT0004949	Wire harness / Plug control voltage		1
5	VT0004950	Wire harness / Plug power voltage		1
6	VT0006393	Cable gland set Square cable entry	CG M20- ISO 20 Trolley - Power supply	1
7	VT0006441	Insulation plate		1
8	VT0005107	Power supply connector	4P	1
9	VT0005108	Control voltage connector	14P	1
10	VT0007782	Cable gland set Square rectangular entry	4G2.5MM2 Flat cable - Only VR2	1
11	VT0007780	Square flat cable connector set	8G1.5/4G2.5/4G6/4G10mm2	1
12	VT0006089	End cap - Square cable entry		1
13	VT0007781	Head shrinkable tube		1
14	VT0006454	Cable gland set Square cable entry	12G1.5/4G2.5/4G6mm2 ISO 25	1
15	VT0008551	Set of connection Gear Limit Switch	FDC MS +GLS	1
16	VT0008550	GLS Cable	2 for 2 steps or 4 for 4 steps	1
-	VT0006967	Time counter		1

6.4. Without electric component

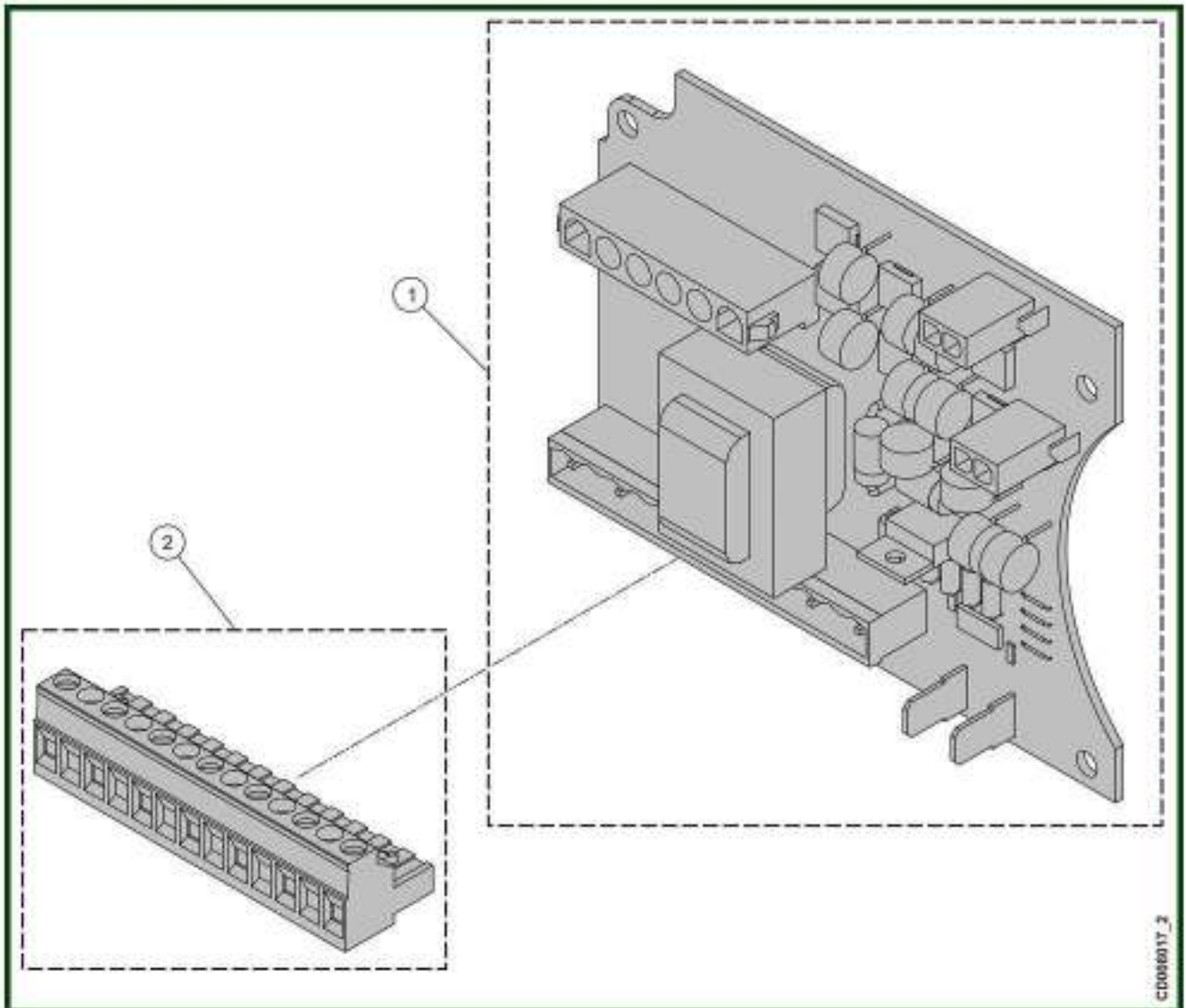


c0007905_1

Item	Reference	Description	Observation	Quantity
1	VT0007656	Electrical board	Without arrangement + Rectifier	1
2	VT0006441	Insulation plate		1
3	VT0005107	Power supply connector	4P	1
4	VT0006429	Wire harness / Plug power voltage	7P	1
5	VT0009330	Control connector	10P	1

6.5. Direct voltage – ACF

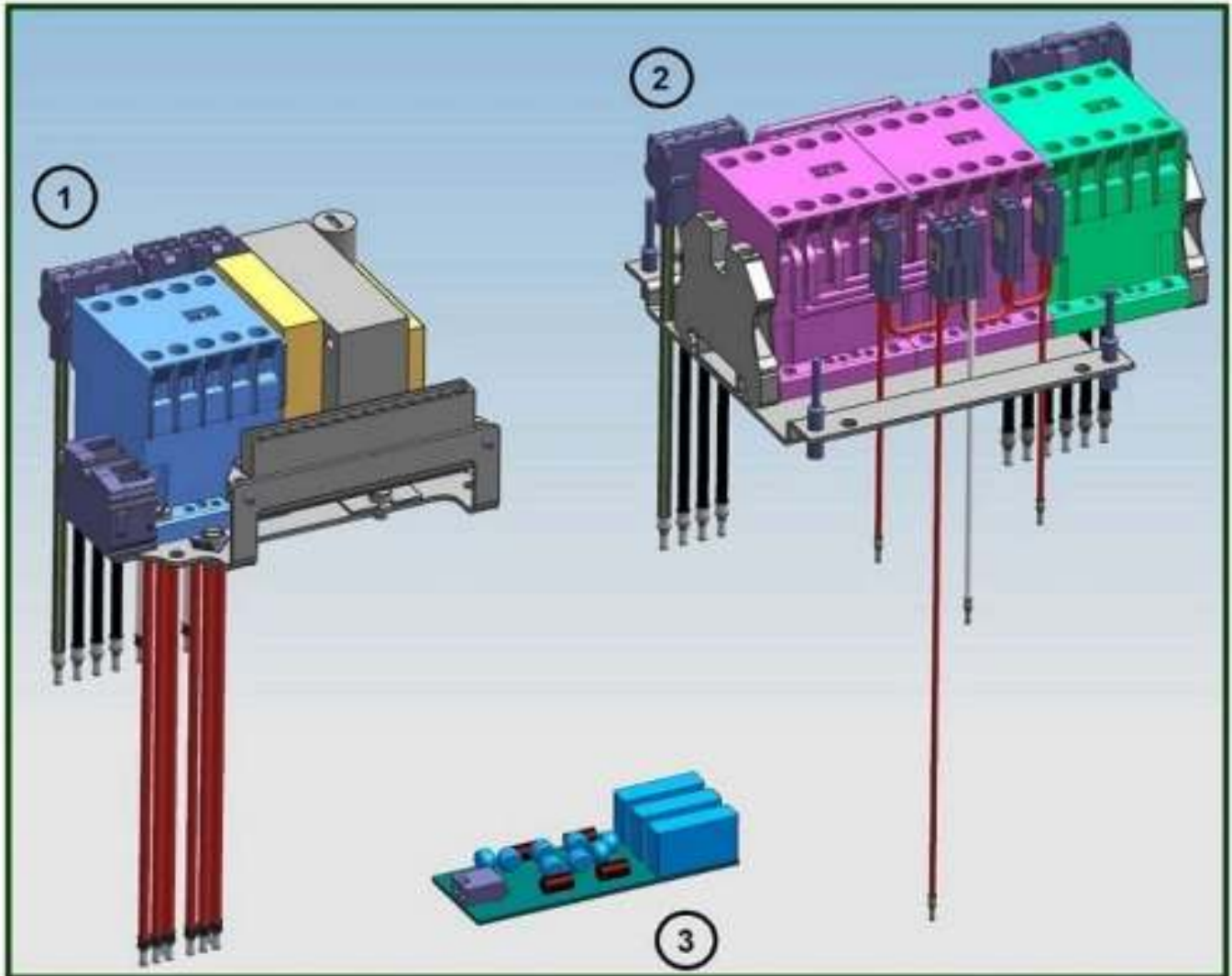
Serial number request



Item	Reference	Description	Observation	Quantity
1	<u>VT0006428</u>	ACF card - 2 speeds		1
2	<u>VT0006429</u>	Wire harness / Plug power voltage	7P	1

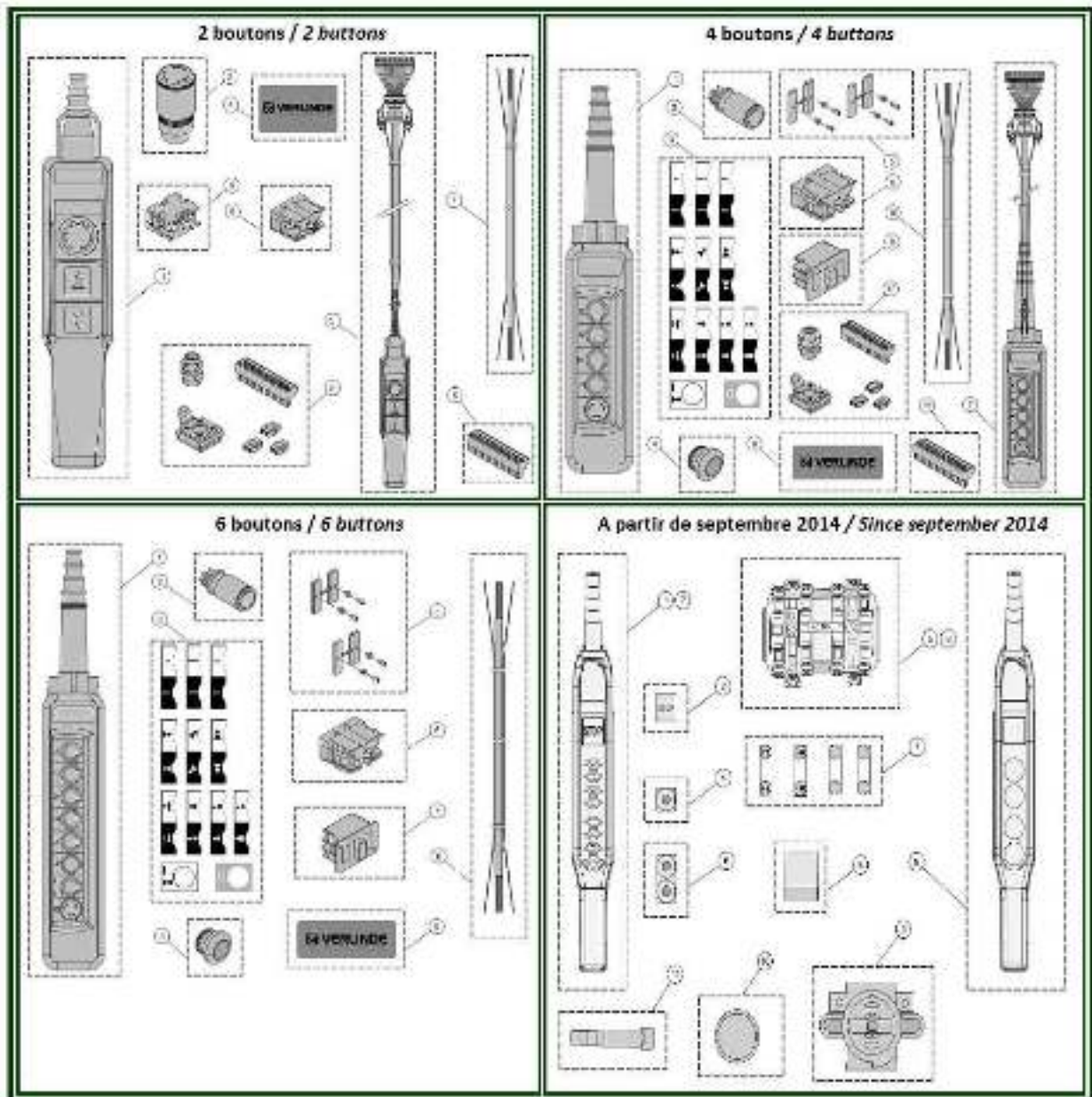
6.6. Solo hoist - Hard wiring

Option

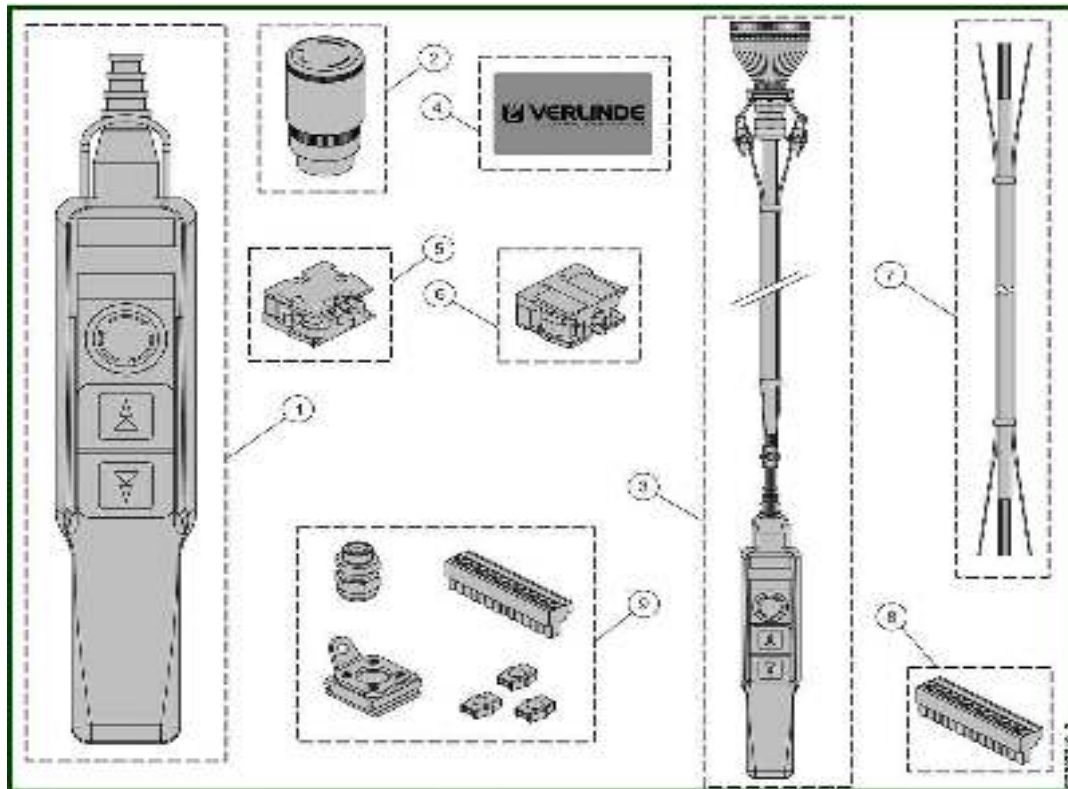


Item	Reference	Description	Observation	Quantity
1	VT0007058	Power supply board - Solo hoist	400V-48V	1
1	VT0007084	Power supply board - Solo hoist	400V-110V	1
1	VT0007086	Power supply board - Solo hoist	460V-48V	1
1	VT0007087	Power supply board - Solo hoist	460V-110V	1
2	VT0007057	Electric board - 2 speeds - 1 brake	208V-575V /48V	1
2	VT0007089	Electric board - 2 speeds - 1 brake	208V-575V /110V-115V	1
3	VT0008823	Rectifier	208V-575V	1

7. PUSH BUTTON CONTROLLER

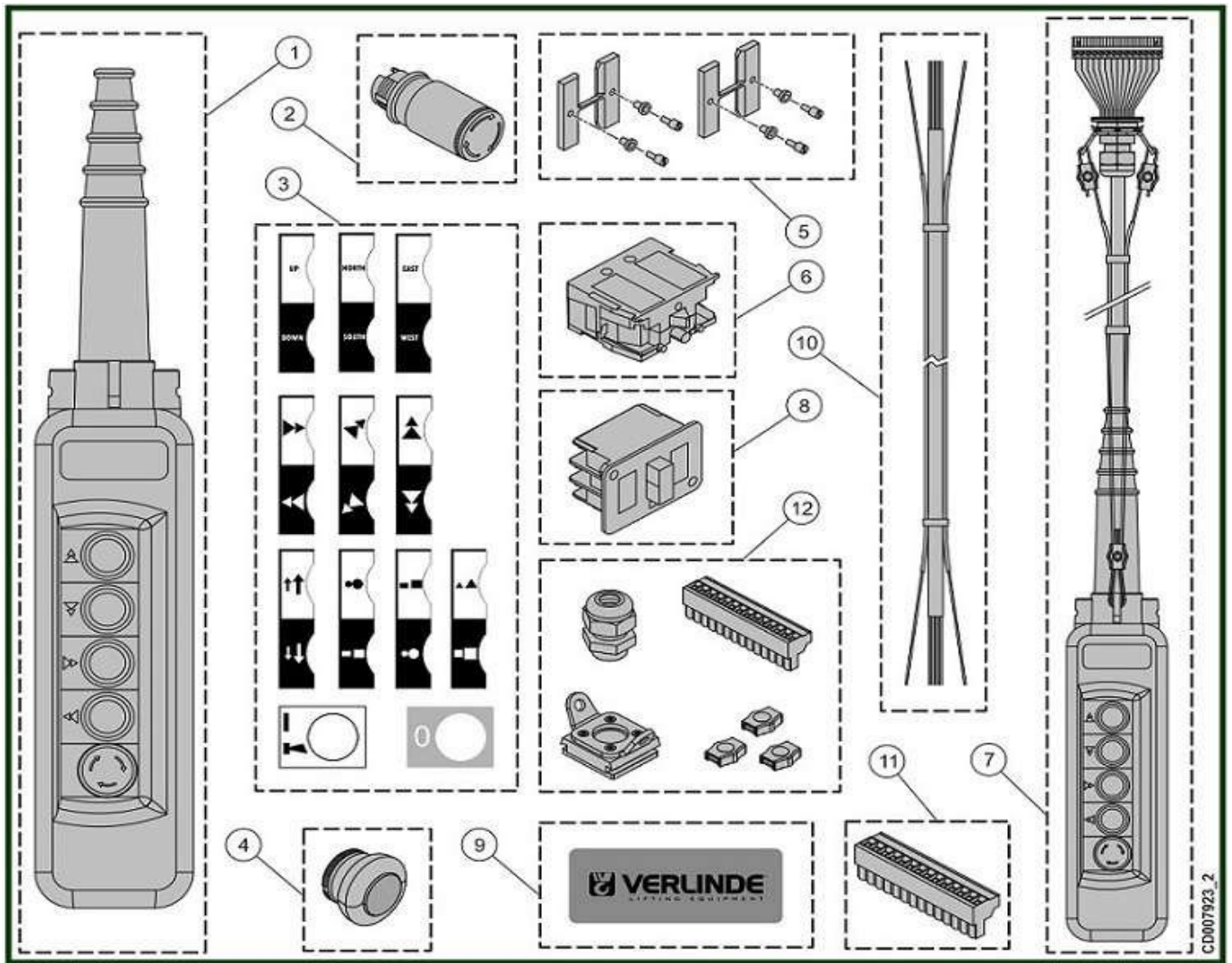


7.1. 2 buttons



Item	Reference	Description	Observation	Quantity
1	VT0005061	6 buttons- 2HS+ES	Yellow	1
2	VT0006547	Emergency push button		1
3	VT0005612	Pendant with cable - 2HS+ES	2,2 m - Yellow - CE	1
3	VT0005613	Pendant with cable - 2HS+ES	2,7 m - Yellow - CE	1
3	VT0005614	Pendant with cable - 2HS+ES	3,2 m - Yellow - CE	1
3	VT0005615	Pendant with cable - 2HS+ES	3,7 m - Yellow - CE	1
3	VT0005616	Pendant with cable - 2HS+ES	4,2 m - Yellow - CE	1
3	VT0005617	Pendant with cable - 2HS+ES	4,7 m - Yellow - CE	1
3	VT0005618	Pendant with cable - 2HS+ES	5,2 m - Yellow - CE	1
3	VT0005619	Pendant with cable - 2HS+ES	5,7 m - Yellow - CE	1
4	VT0007837	Sticker of brand	VERLINDE	1
5	VT0005064	Contact block	Z B2-BE101	1
6	VT0005066	Contact block	Z B2-BE 102	1
6	VT0015041	Contact block	ZB2-BE201 "F" décalé	1
7	VT0006746	Cable	5x1,5 mm ² - CE	1
8	VT0005108	Control voltage connector	14P	1
9	VT0007583	Pendant plug set	ISO	1

7.2. 4 buttons

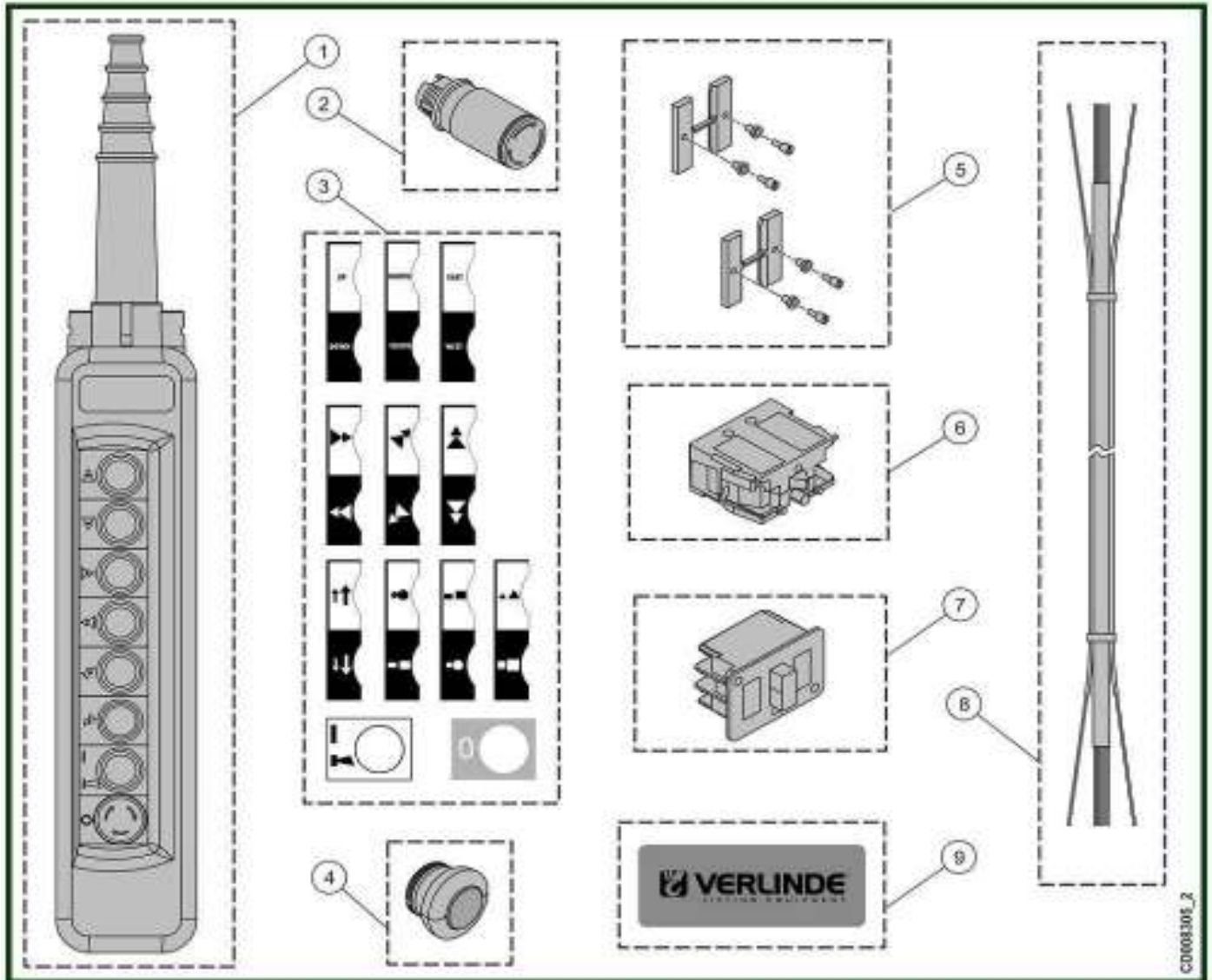


CD007923_2

4 buttons

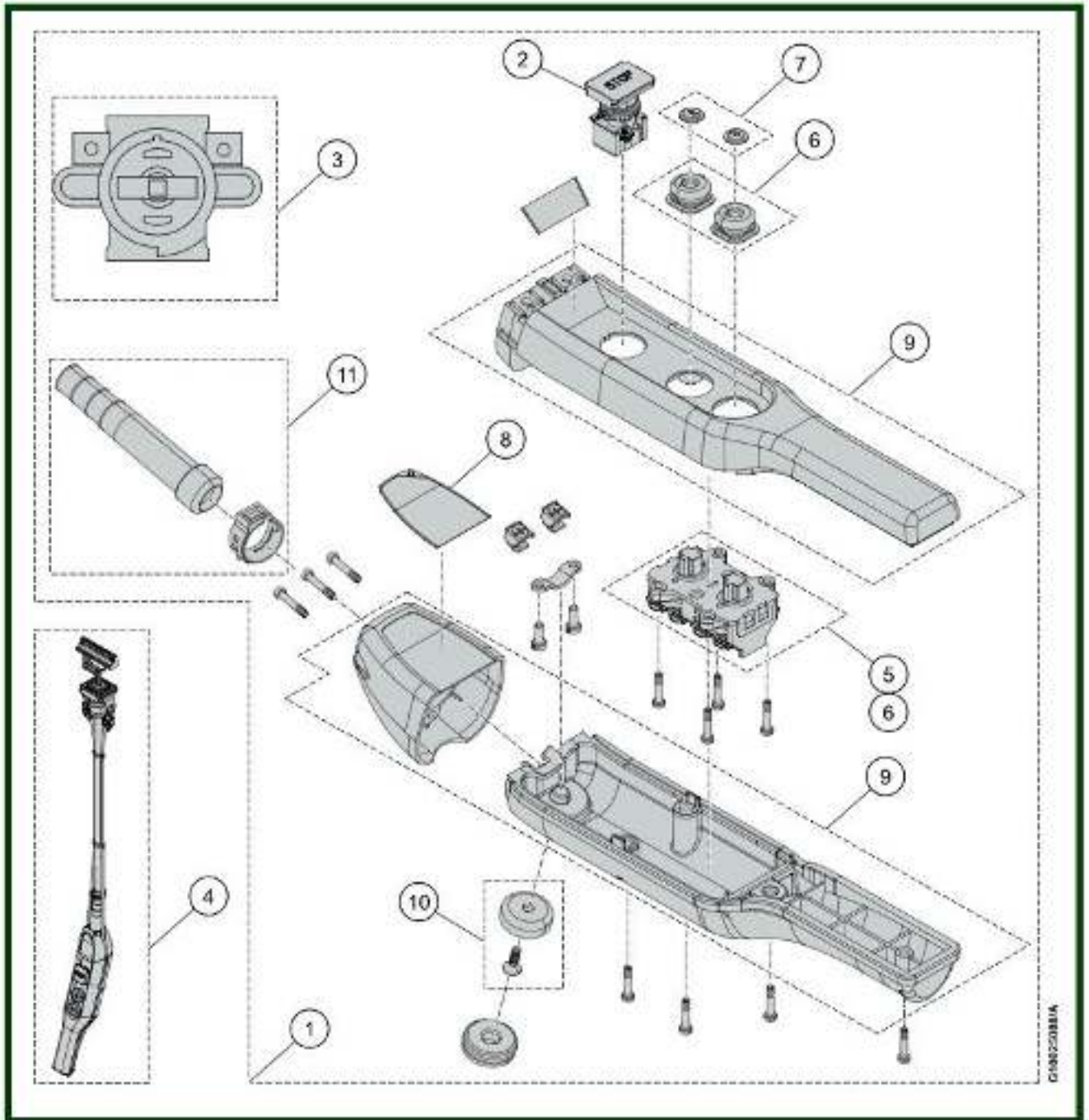
Item	Reference	Description	Observations	Quantity
1	<u>VT0005055</u>	6 buttons- 2HS+2TS+ES	Yellow	1
2	<u>VT0006548</u>	Emergency push button		1
3	<u>VT0007882</u>	Set of direction symbols		1
4	<u>VT0005063</u>	Push button		1
5	<u>VT0005072</u>	Mechanical interlock		2
6	<u>VT0005066</u>	Bloc contact	Z B2-BE 102	1
7	<u>VT0006056</u>	Pendant with cable - 2HS+2TS+ES	2,7 m - Yellow	1
7	<u>VT0006055</u>	Pendant with cable - 2HS+2TS+ES	2,2 m - Yellow	1
7	<u>VT0006057</u>	Pendant with cable - 2HS+2TS+ES	3,2 m - Yellow	1
7	<u>VT0006058</u>	Pendant with cable - 2HS+2TS+ES	3,7 m - Yellow	1
7	<u>VT0006060</u>	Pendant with cable - 2HS+2TS+ES	4,7 m - Yellow	1
7	<u>VT0006061</u>	Pendant with cable - 2HS+2TS+ES	5,2 m - Yellow	1
7	<u>VT0006062</u>	Pendant with cable - 2HS+2TS+ES	5,7 m - Yellow	1
8	<u>VT0007879</u>	Block contact	X ENG1191	1
9	<u>VT0007880</u>	Sticker of brand		1
10	<u>VT0006747</u>	Cable - 8x1,5mm2	meter	1
11	<u>VT0005108</u>	Control voltage connector	14P	1
12	<u>VT0007583</u>	Pendant plug set	ISO	1

7.3. 6 buttons



Item	Reference	Description	Observations	Quantity
1	VT0005058	Pendant controller 2HS+2TS+2LS+ON-OFF	Yellow	1
2	VT0006548	Emergency push button		1
3	VT0007882	Set of direction symbols		1
4	VT0005063	Push button		1
5	VT0005072	Mechanical interlock		2
6	VT0005066	Bloc contact	Z B2-BE 102	1
7	VT0007879	Block contact	X ENG1191	1
8	VT0008073	Cable	16x1.52mm ² - meter	1
8	VT0008074	Cable	20x1.5mm ² - meter	1
9	VT0007880	Sticker of brand	VERLINDE	1
-	VT0005108	Control voltage connector	14P	1

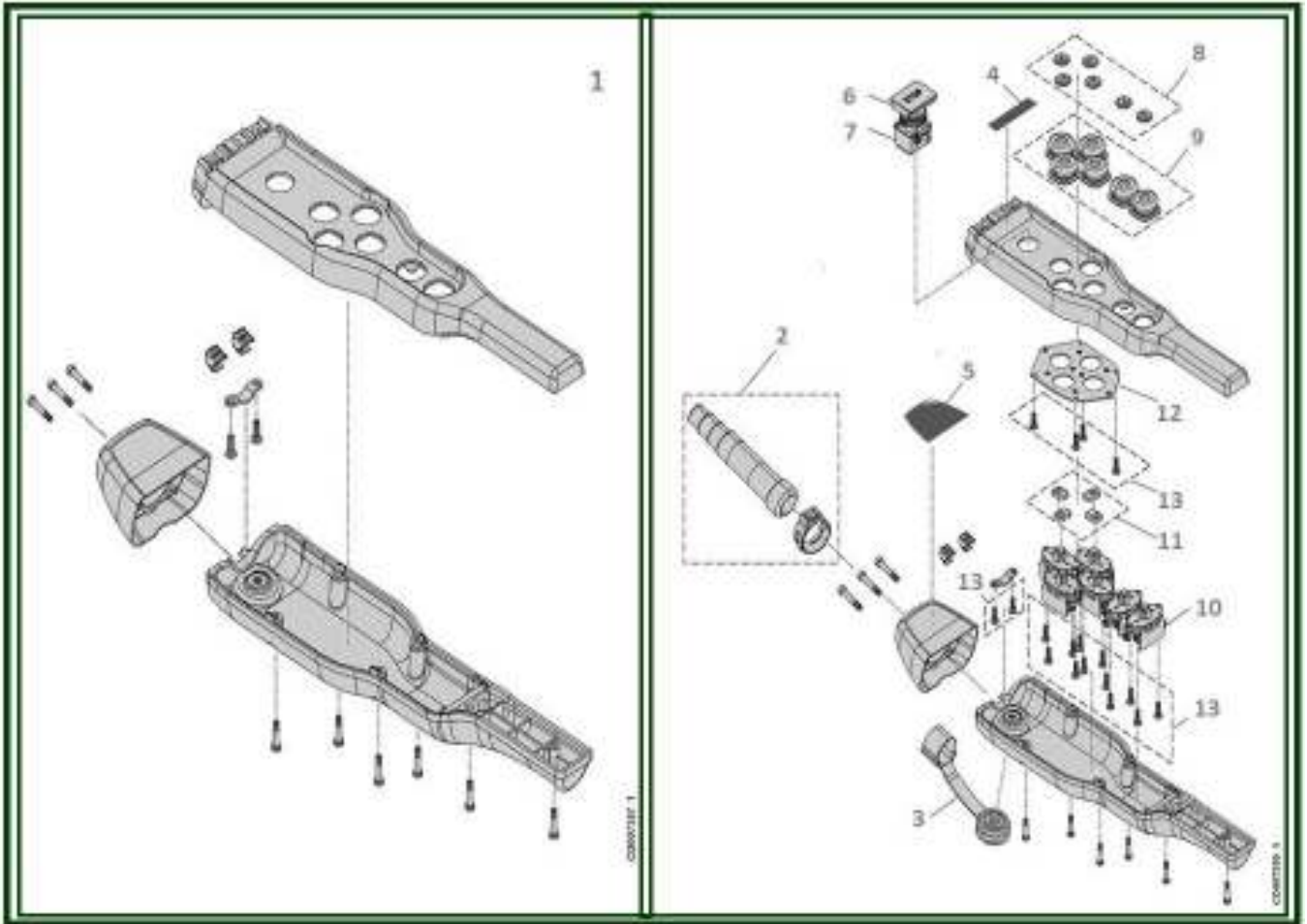
7.4. 2 and 4 buttons - ERGOMOVE - From September 2014



2 and 4 buttons ERGOMOVE - From September 2014

Item	Reference	Description	Observation	Quantity
1	VT0006495	Push button - 2HS+2TS+ES	Yellow - 4 buttons	1
1	VT0006493	Push button - 2HS+ES	Yellow - 2 buttons	1
2	VT0006509	Emergency push button		1
3	VT0006510	Emergency stop contact block		1
4	VT0006511	Rubber push button		1
5	VT0006513	Contact block	2 steps	1
6	VT0006514	Set of 2 push buttons + contact block		1
7	VT0006754	Stickers - Direction symbols	ANSI	1
7	VT0006752	Stickers - Direction symbols	DIN	1
7	VT0006753	Stickers - Direction symbols	FIN-SEN	1
8	VT0006496	Sticker of brand	VERLINDE	1
9	VT0006515	Pendant controller	Yellow - 2 buttons	1
9	VT0006518	Pendant controller	Yellow - 4 buttons	1
10	VT0006517	Magnet		1
10	VT0006516	Rubber part		1
11	VT0014221	Cable bushing		1
12	VT0006958	Push buttons box + cable + plug - 2 HS+ES	2,20 m - Yellow - DIN	1
12	VT0006951	Push buttons box + cable + plug - 2 HS+ES	2,70 m - Yellow - DIN	1
12	VT0006952	Push buttons box + cable + plug - 2 HS+ES	3,20 m - Yellow - DIN	1
12	VT0006953	Push buttons box + cable + plug - 2 HS+ES	3,70 m - Yellow - DIN	1
12	VT0006954	Push buttons box + cable + plug - 2 HS+ES	4,20 m - Yellow - DIN	1
12	VT0006955	Push buttons box + cable + plug - 2 HS+ES	4,70 m - Yellow - DIN	1
12	VT0006956	Push buttons box + cable + plug - 2 HS+ES	5,20 m - Yellow - DIN	1
12	VT0006957	Push buttons box + cable + plug - 2 HS+ES	5,70 m - Yellow - DIN	1
13	VT0006959	Push buttons box + cable + plug - 2 HS+2TS+ES	2,20 m - Yellow - DIN	1
13	VT0006966	Push buttons box + cable + plug - 2 HS+2TS+ES	2,70 m - Yellow - DIN	1
13	VT0006960	Push buttons box + cable + plug - 2 HS+2TS+ES	3,20 m - Yellow - DIN	1
13	VT0006961	Push buttons box + cable + plug - 2 HS+2TS+ES	3,70 m - Yellow - DIN	1
13	VT0006962	Push buttons box + cable + plug - 2 HS+2TS+ES	4,20 m - Yellow - DIN	1
13	VT0006963	Push buttons box + cable + plug - 2 HS+2TS+ES	4,70 m - Yellow - DIN	1
13	VT0006964	Push buttons box + cable + plug - 2 HS+2TS+ES	5,20 m - Yellow - DIN	1
13	VT0006965	Push buttons box + cable + plug - 2 HS+2TS+ES	5,70 m - Yellow - DIN	1

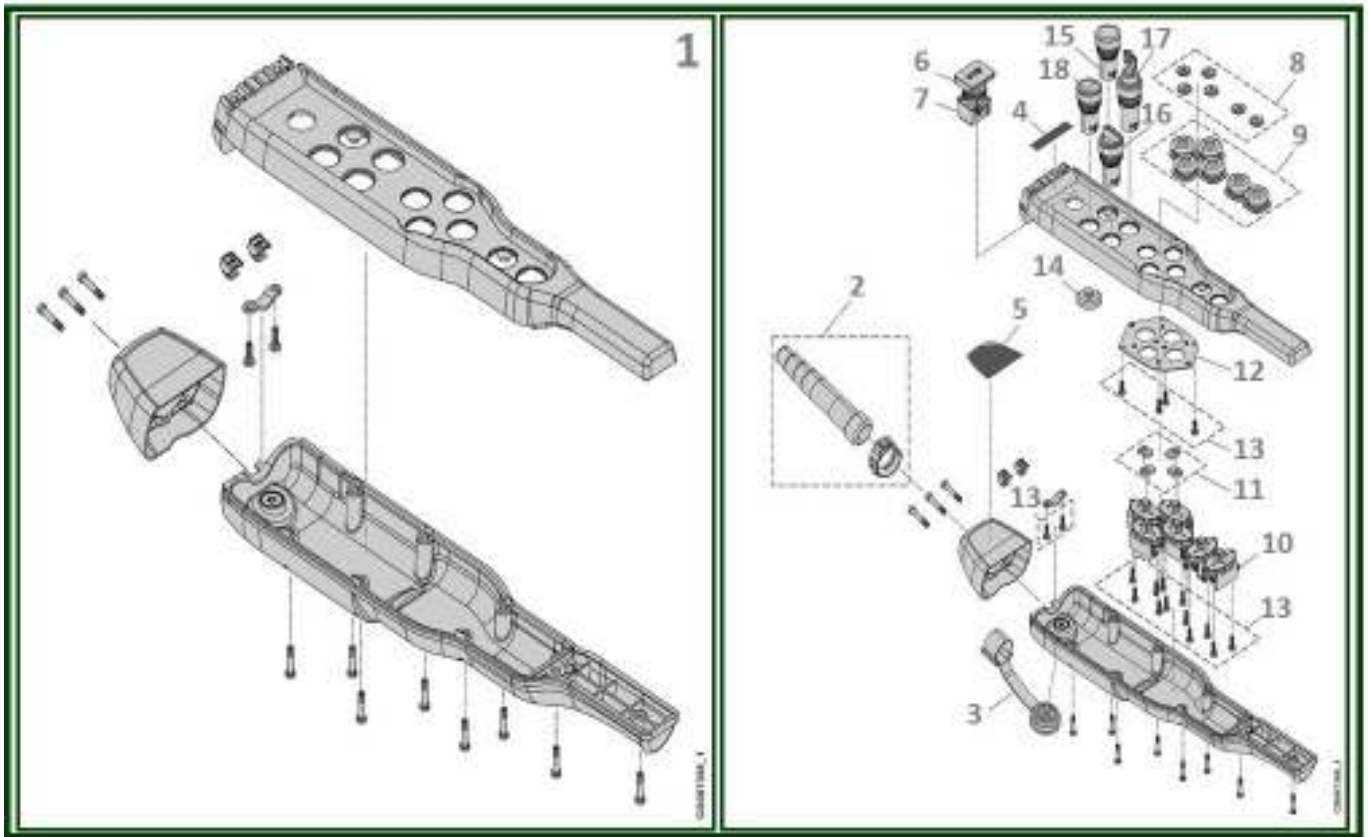
7.5. 6 buttons ERGOMOVE – From September 2014



6 buttons ERGOMOVE -From September 2014

Item	Reference	Description	Observation	Quantity
1	<u>VT0007106</u>	Pendant controller body	Yellow	1
1	<u>VT0013522</u>	Pendant controller body	Pendant controller body	1
2	<u>VT0007149</u>	Cable bushing		1
3	<u>VT0010787</u>	Magnet		1
5	<u>VT0007148</u>	Sticker	Logo	1
6	<u>VT0010757</u>	Emergency stop button		1
7	<u>VT0010788</u>	Contact block		1
8	<u>VT0007147</u>	Stickers - Direction symbols	ANSI	1
8	<u>VT0007145</u>	Stickers - Direction symbols	DIN	1
8	<u>VT0007146</u>	Stickers - Direction symbols	FIN	1
9	<u>VT0007102</u>	Push button		1
10	<u>VT0013419</u>	Contact block	Crane and Trolley control (Foward/Backward and Right/Left) 2-step	1
10	<u>VT0007100</u>	Contact block	Hoisting control (Up and Down) 2-step	1
11	<u>VT0007101</u>	Push button		1
12	<u>VT0007103</u>	Shape plate		1
13	<u>VT0007150</u>	Screws set		1

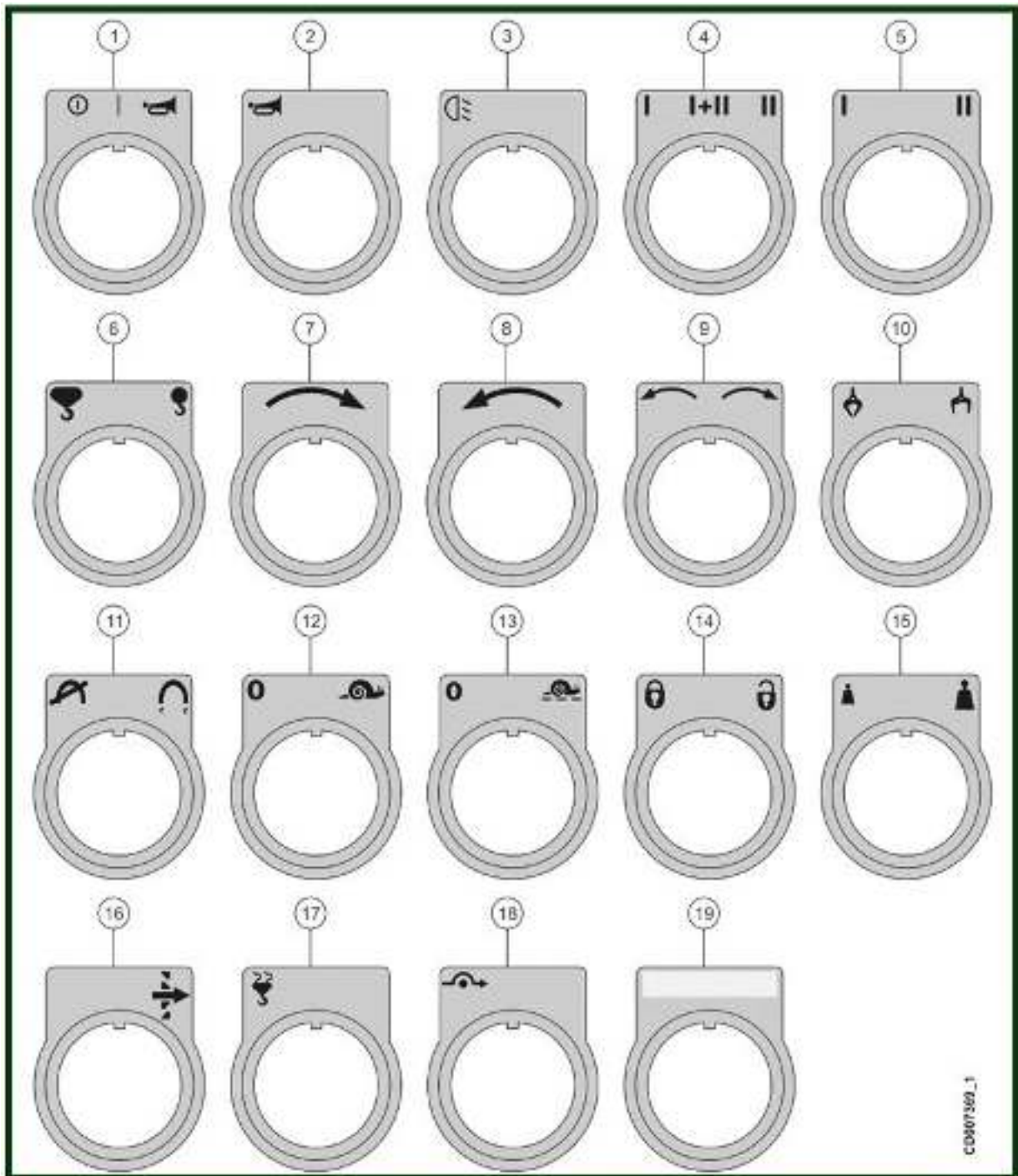
7.6. 10 buttons ERGOMOVE – From September 2014



10 buttons ERGOMOVE – From September 2014

Item	Reference	Description	Observation	Quantity
1	VT0007107	Pendant controller body	Yellow	1
1	VT0013416	Pendant controller body	Yellow	1
2	VT0007149	Cable bushing		1
3	VT0010787	Magnet		1
5	VT0007148	Sticker	Logo	1
6	VT0010757	Emergency stop button		1
7	VT0010788	Contact block		1
8	VT0007147	Stickers - Direction symbols	ANSI	1
8	VT0007145	Stickers - Direction symbols	DIN	1
8	VT0007146	Stickers - Direction symbols	FIN	1
9	VT0007102	Push button		1
10	VT0013419	Contact block – 2 steps	Crane and Trolley control (Foward/Backward and Right/Left)	4
10	VT0007100	Contact block – 2 steps	Hoisting control (Up and Down)	2
11	VT0007101	Push button		1
12	VT0007103	Shape plate		1
13	VT0007150	Screws set		1
14	VT0007109	Blanking plug		1
15	VT0007110	Push button		1
16	VT0010760	Selector without spring return to center	Switch 1-0-2	1
16	VT0010797	Selector switch	Switch 0-1	1
16	VT0007113	Selector switch	Switch 1-1+2-2	1
16	VT0007114	Selector switch	Switch 1-2	1
16	VT0010796	Selector switch with spring return to center	Switch 1-0-2	1
17	VT0010798	Position Key Selector	Switch 0-1	1
18	VT0010791	Pilot lamp 115 – Green		1
18	VT0010792	Pilot lamp 115V - Red		1
18	VT0010793	Pilot lamp 115V – Yellow		1
18	VT0010794	Pilot lamp 230V - Green		1
18	VT0010759	Pilot lamp 230V - Red		1
18	VT0010795	Pilot lamp 230V - Yellow		1
18	VT0010789	Pilot lamp - 48V - Green		1
	VT0010758	Pilot lamp - 48V – Red		1
	VT0010790	Pilot lamp - 48V - Yellow		1

7.7. 10 Buttons ERGOMOVE – Option pendant label

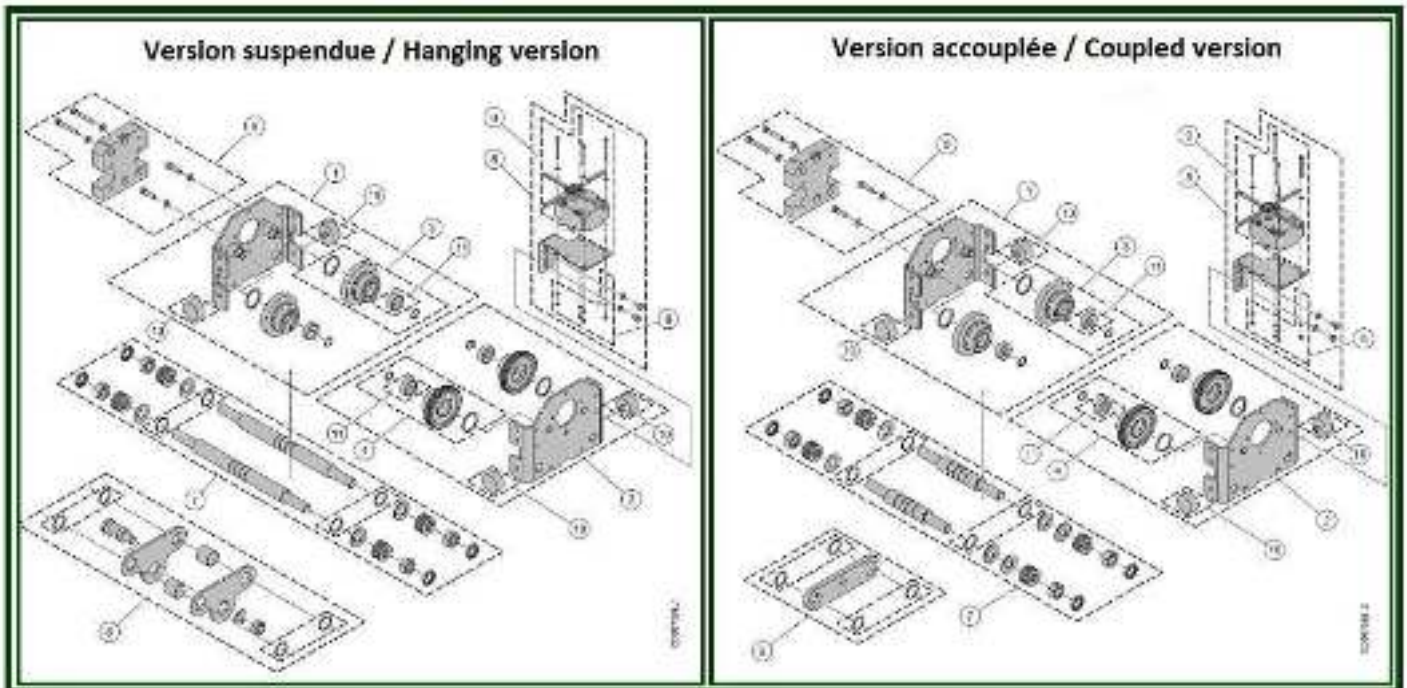


10 buttons ERGOMOVE – Option pendant label

Item	Reference	Description	Observation	Quantity
1	VT0007126	Pendant label - Start + Horn		1
2	VT0007127	Pendant label - Horn		1
3	VT0007128	Pendant label - Light		1
4	VT0007129	Pendant label - Hoist selector I,I+II, II		1
5	VT0007130	Pendant label - Hoist selector I, II		1
6	VT0007131	Pendant label - Hook selection		1
7	VT0007132	Pendant label - Rotate right		1
8	VT0007133	Pendant label - Rotate left		1
9	VT0007134	Pendant label - Rotate left / light		1
10	VT0007135	Pendant label - Close and open		1
11	VT0007136	Pendant label - Magnet OFF / On		1
12	VT0007137	Pendant label - Microspeed		1
13	VT0007138	Pendant label - Microspeed		1
14	VT0007139	Pendant label - Lock / unlock		1
15	VT0007140	Pendant label - Load limiter		1
16	VT0007141	Pendant label - Restricted area		1
17	VT0007142	Pendant label - Slack rope		1
18	VT0007143	Pendant label - Bypass		1
19	VT0007144	Blank pendant label		1

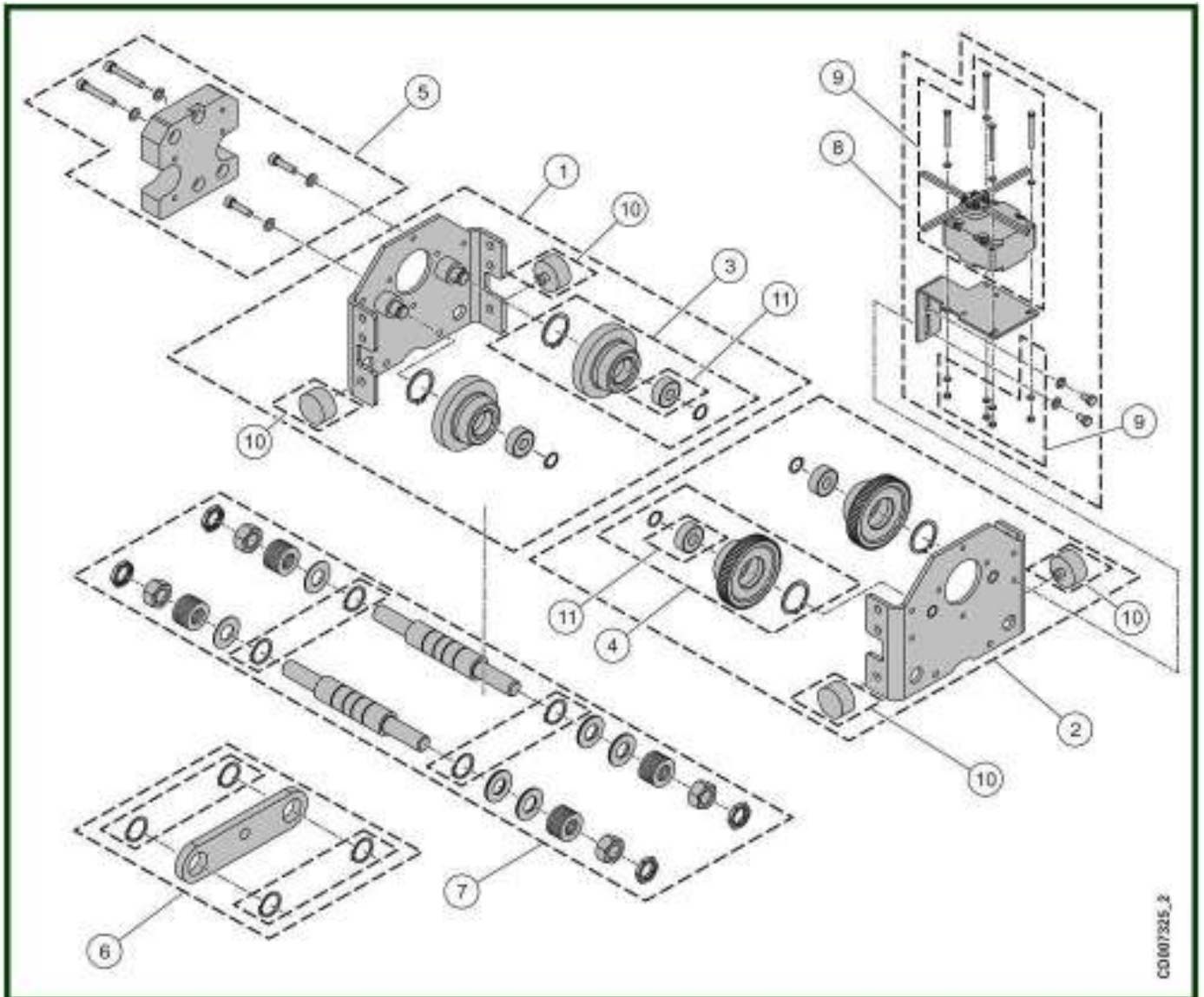
8. NORMAL HEADROOM TROLLEY

NHT



8.1. C1 trolley - 0 to 1000 kg - Coupled version

NHT



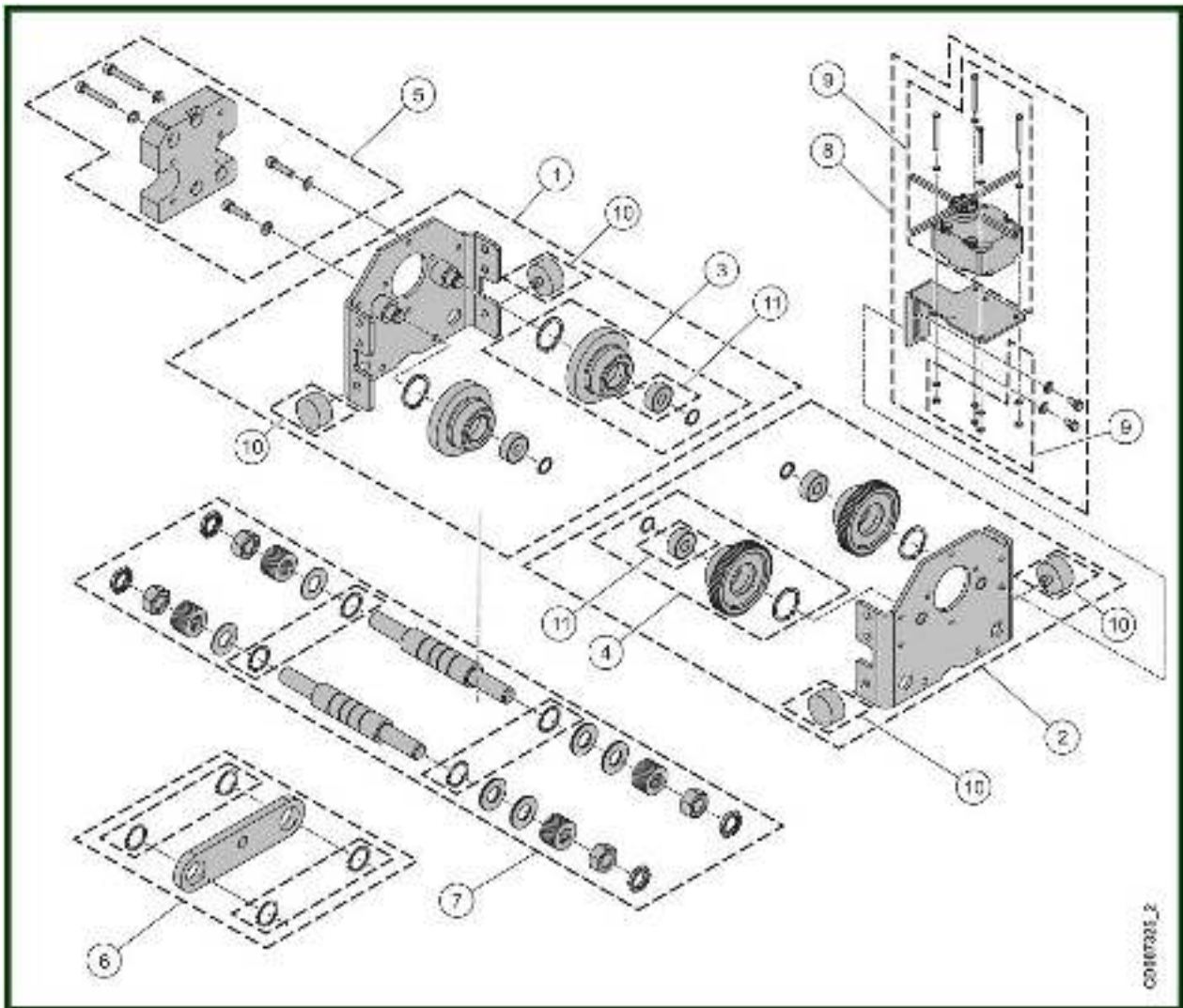
C1 trolley - 0 to 1000 kg - Coupled version

NHT

Item	Reference	Description	Observation	Quantity
1	<u>VT0007051</u>	Idler side plate assembly		1
2	<u>VT0007066</u>	Drive side plate assembly		1
3	<u>VT0007061</u>	Set of travel wheels - idle		1
4	<u>VT0007063</u>	Set of travel wheels - motor	∅ 62 - 93 mm	1
5	<u>VT0007062</u>	Set of counterweight		1
6	<u>VT0007065</u>	Cross bar	Coupled version	1
7	<u>VT0007026</u>	Tie rod set beam - 55 to 100 mm	Monobloc tie road since 1999	1
7	<u>VT0007027</u>	Tie rod set beam - 106 to 150 mm	Monobloc tie road since 1999	1
7	<u>VT0007028</u>	Tie rod set beam - 155 to 200 mm	Monobloc tie road since 1999	1
7	<u>VT0007029</u>	Tie rod set beam - 206 to 248 mm	Monobloc tie road since 1999	1
7	<u>VT0007030</u>	Tie rod set beam - 260 to 307 mm	Monobloc tie road since 1999	1
7	<u>VT0007031</u>	Tie rod set beam - 308 to 310 mm	Monobloc tie road since 1999	1
8	<u>VT0007098</u>	Limit switch - 1 step		1
8	<u>VT0008775</u>	Limit switch - 2 steps		1
9	<u>VT0008776</u>	Travelling limit switch - 1 step		1
9	<u>VT0008777</u>	Travelling limit switch - 2 steps		1
10	<u>VT0009357</u>	Buffer	D40x20 – Trolley C1 to C5	1
11	<u>VT0007091</u>	Ball Bearing		1
-	<u>601805</u>	Limit switch	1 for 1 step - 2 for 2 steps	1

8.2. C2 trolley - 1001 to 2000 kg - Coupled version

Only for voltage greater than 480V



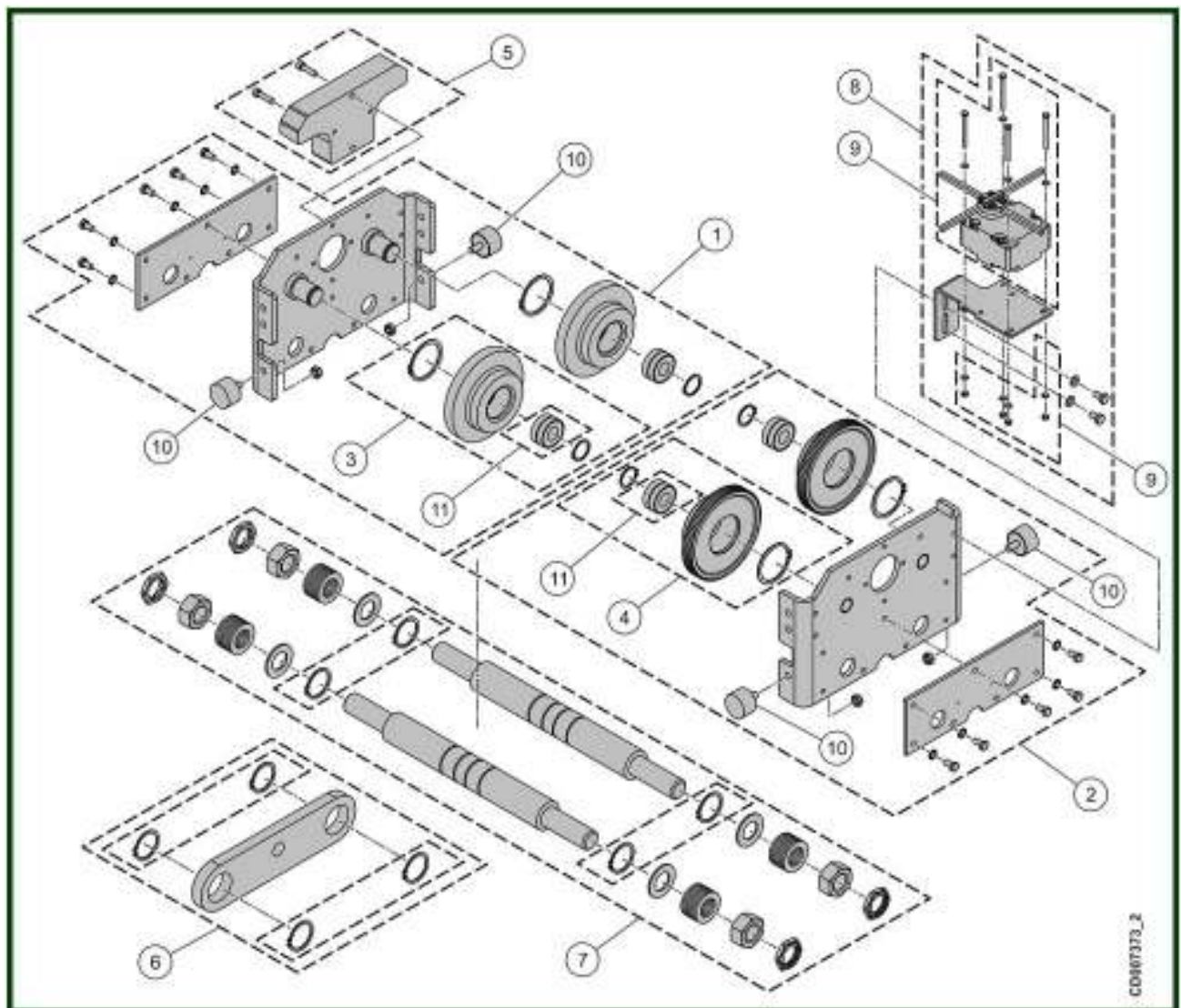
C2 trolley - 1001 to 2000 kg - Coupled version

Only for voltage greater than 480V

Item	Reference	Description	Observation	Quantity
1	<u>VT0007067</u>	Idler side plate assembly		1
2	<u>VT0007068</u>	Drive side plate assembly		1
3	<u>VT0007069</u>	Set of travel wheels - idle	∅ 80x120 mm	1
4	<u>VT0008778</u>	Set of travel wheels - motor	∅ 80x120 mm	1
5	<u>VT0008780</u>	Set of counterweight		1
6	<u>VT0007085</u>	Cross bar	Coupled version	1
7	<u>VT0007036</u>	Tie rod set beam - 64 to 126 mm	Monobloc tie road since 1999	1
7	<u>VT0007037</u>	Tie rod set beam - 131 to 190 mm	Monobloc tie road since 1999	1
7	<u>VT0007038</u>	Tie rod set beam - 198 to 248 mm	Monobloc tie road since 1999	1
7	<u>VT0007039</u>	Tie rod set beam - 260 to 310 mm	Monobloc tie road since 1999	1
8	<u>VT0007098</u>	Limit switch - 1 step	C1-C2-C3-C5	1
8	<u>VT0008775</u>	Limit switch - 2 steps		1
9	<u>VT0008776</u>	Travelling limit switch - 1 step		1
9	<u>VT0008777</u>	Travelling limit switch - 2 steps		1
10	<u>VT0007088</u>	Buffer	40X20 M10	1
11	<u>VT0008781</u>	Ball Bearing	C2	1
-	<u>601805</u>	Limit switch	1 for 1 step - 2 for 2 steps	1

8.3. C3 trolley - 2001 à 3200 kg - Coupled version

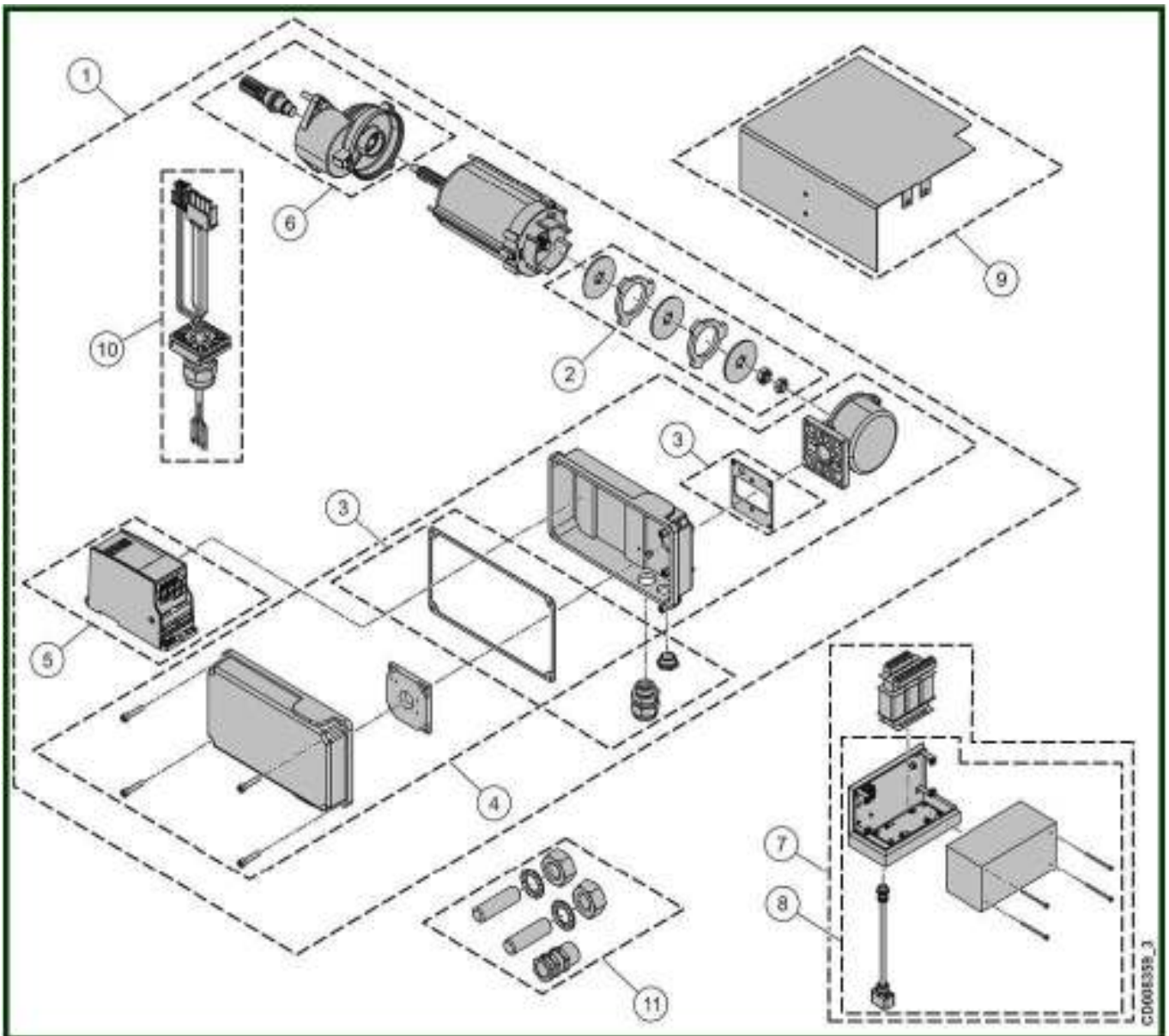
Serial number request



C3 trolley - 2001 to 3200 kg - Coupled version

Item	Reference	Description	Observation	Quantity
1	<u>VT0007092</u>	Idler side plate assembly	C3	1
2	<u>VT0007093</u>	Drive side plate assembly	C3	1
3	<u>VT0008782</u>	Set of travel wheels - Motor		1
4	<u>VT0008783</u>	Set of Travel wheels - Idle		1
5	<u>VT0008837</u>	Set of counterweight	C3	1
6	<u>VT0007095</u>	Cross bar	Coupled version	1
7	<u>VT0007040</u>	Tie rod set beam - 82 to 137 mm	Monobloc tie road since 1999	1
7	<u>VT0007041</u>	Tie rod set beam - 140 to 190 mm	Monobloc tie road since 1999	1
7	<u>VT0007042</u>	Tie rod set beam - 198 to 248 mm	Monobloc tie road since 1999	1
7	<u>VT0007043</u>	Tie rod set beam - 260 to 310 mm	Monobloc tie road since 1999	1
7	<u>VT0008785</u>	Tie rod set beam - 311 to 350 mm		1
8	<u>VT0007098</u>	Limit switch - 1 step	C1-C2-C3-C5	1
8	<u>VT0008775</u>	Limit switch - 2 steps	C1-C2-C3-C5	1
9	<u>VT0008776</u>	Travelling limit switch - 1 step	C1-C2-C3-C5	1
9	<u>VT0008777</u>	Travelling limit switch - 2 steps	C1-C2-C3-C5	1
10	<u>VT0007088</u>	Buffer	40X20 M10	1
11	<u>VT0008786</u>	Ball Bearing	C2	1
-	<u>601805</u>	Limit switch	1 for 1 step - 2 for 2 steps	1

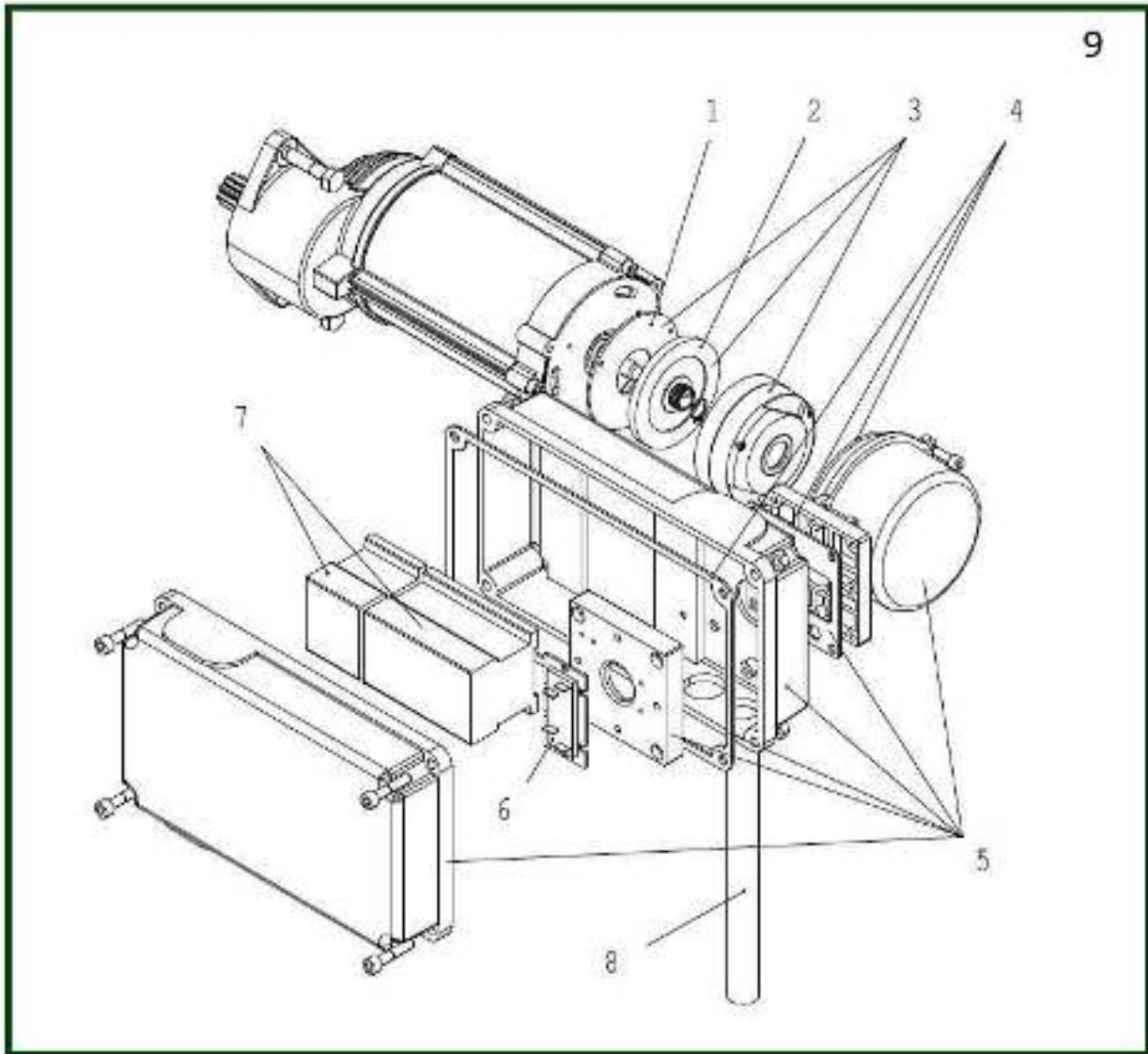
8.4. Inverter TMU motor



Inverter TMU motor

Item	Reference	Description	Observation	Quantity
1	<u>52890308</u>	Travelling machinery - TMU1	42-230V < 1000 Kg	1
1	<u>52890306</u>	Travelling machinery - TMU2	42-230V > 1000 Kg to 2000 kg	1
2	<u>52296293</u>	Brake repair set	M06-001V	1
3	<u>52300292</u>	Sealings set	M06-008V	1
4	<u>52907130</u>	Housing set	M06-022V	1
5	<u>52387783</u>	Inverter VT003 TMK003.380 460V/ ctrl 42 230V	Since January 2015 for motor already equipped of this inverter	1
6	<u>52297191</u>	Reducer	GEL105PT1B0	1
7	<u>52303806</u>	Control panel	T50E-TE07	1
8	<u>53050878</u>	Housing set	UKTM/ALTM-NEW	1
9	<u>52305058</u>	Rain cover	All models C1 to C5	1
10	<u>53110165</u>	Connection cable	TMU1&2	1
11	<u>52908158</u>	Fixing set		1

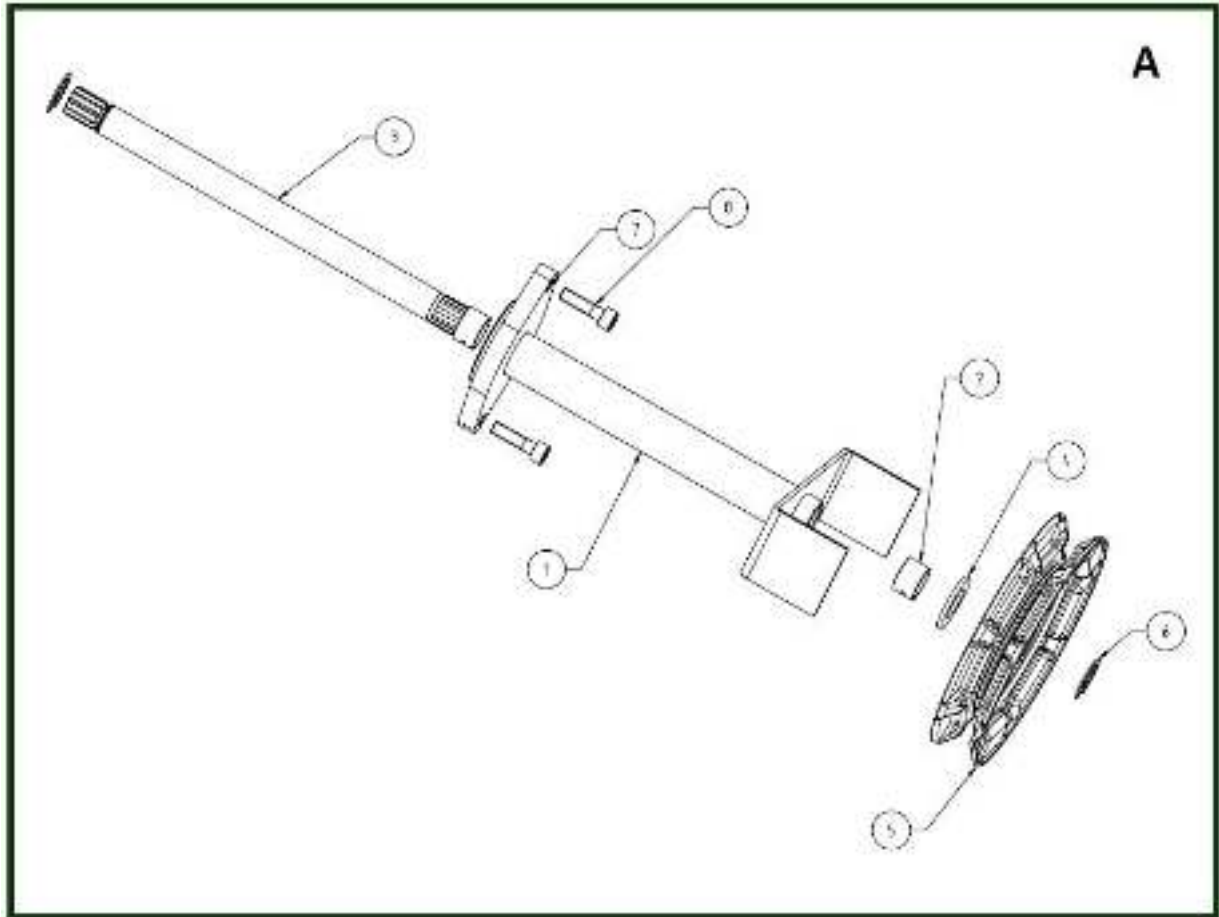
8.5. Two speeds TMU motor



Two speeds TMU motor

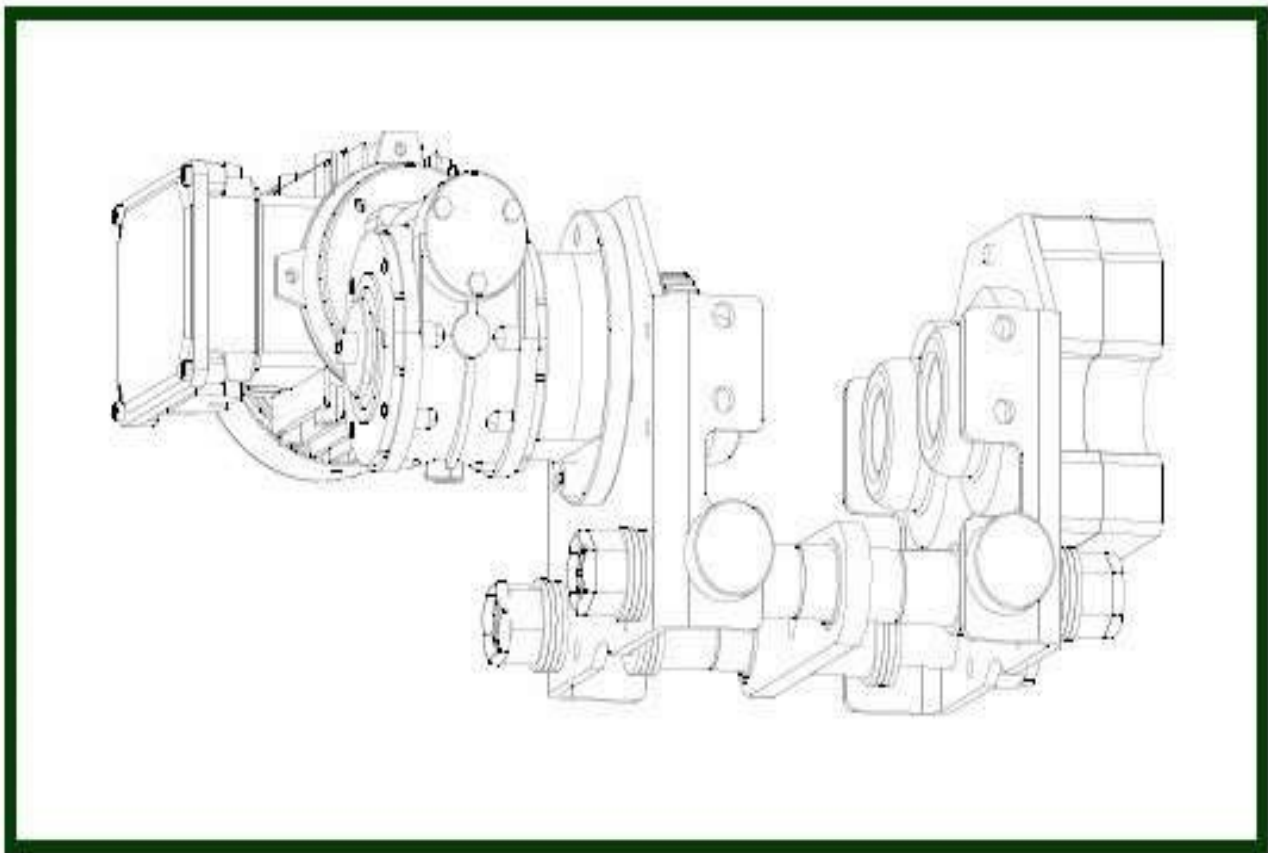
Item	Reference	Description	Observation	Quantity
1	52269590	Friction plate		1
2	52269587	Brake disc		1
3	52318378	Brake disc 180V	MF06MA104	1
3	52318416	Brake disc 240V	MF06MA104	1
3	52318424	Brake disc 290V	MF06MA104	1
4	52300292	Sealings set	M06-008V	1
5	52300291	Terminal box	M06-007V	1
6	15823007	Rectifier	Motor 220V	1
6	15823006	Rectifier	Motor 380 to 550V	1
7	1123052	Reversing contactor	110V	1
7	1113097	Reversing contactor	230V	1
7	1113023	Reversing contactor 400V/48V	LC2ECO9E (7531023V) Hoisting cross travelling	1
7	1113098	Main contactor KAU	230 V 50/60 Hz	1
7	1113021	Selector contactor	48V	1
7	1123050	Selector contactor	110V	1
8	53243829	Connection cable TMU 1&2	For two-speed DIRECTION option with MAC2 platinum	1
9	52782175	Two speeds TMU motor	230V/48V 50 Hz	1
9	52782173	Two speeds TMU motor	230V/115V 60 Hz - Standard	1
9	52782176	Two speeds TMU motor	400V/48V 50 Hz	1
9	52782171	Two speeds TMU motor	460V/115V 60 Hz - Standard	1
9	52782177	Two speeds TMU motor	500V/48V 50 Hz	1
9	52782172	Two speeds TMU motor	575V/115V 60 Hz - Standard	1
	52908158	Fixing set		1
-	52305058	Rain cover	All models C1 to C5	1

8.6. Chain travel



Item	Reference	Description	Observations	Quantity
1	53155221	CHM shaft		1
2	52845788	Radial sliding bearing		1
3	53155216	Axle		1
4	52294797	Plain washer		1
5	52724779	Travelling hand wheel - Ø 165 mm		1
6	52846624	Circlips D.20X1.2mm		1
7	52738485	Contact washer		1
8	52286823	Screw M8x30	DIN912	1
	820003	Galvanized chain - 5x27.1		1
	53020194	Precut galvanized chain - 5x27.1		M
A	53155441	Chain operated manual travelling	For C1 to C5	1

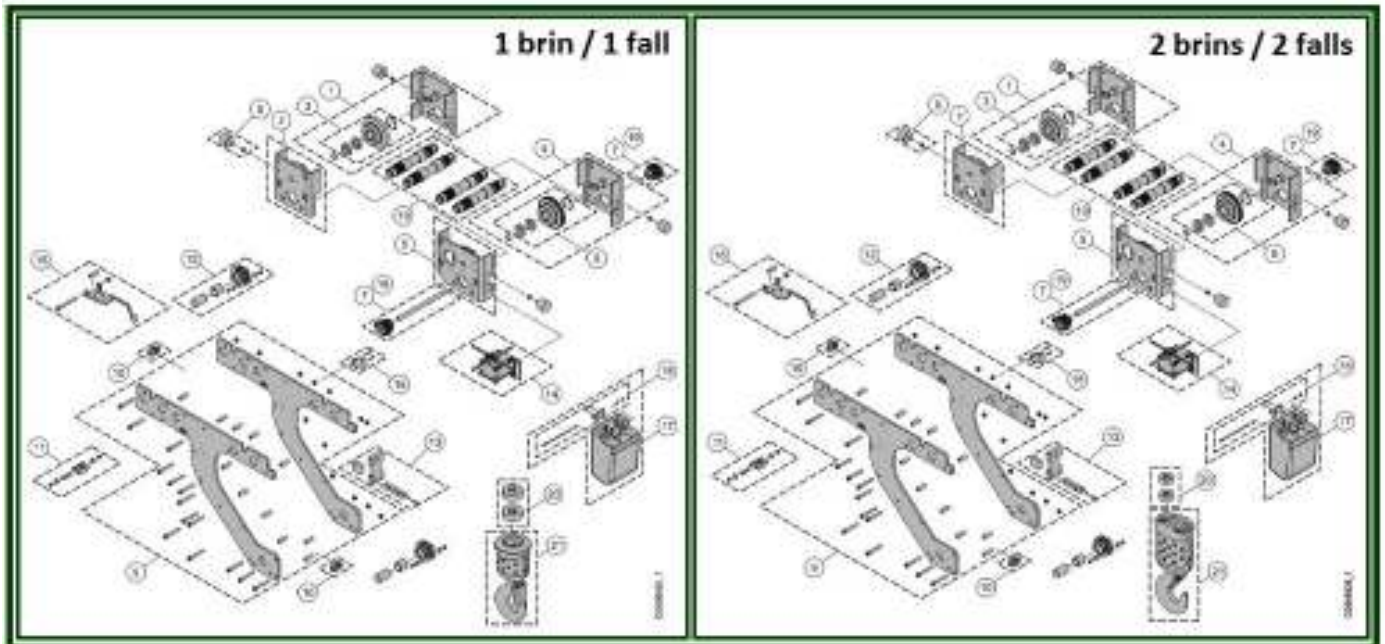
8.7. Right angle motor



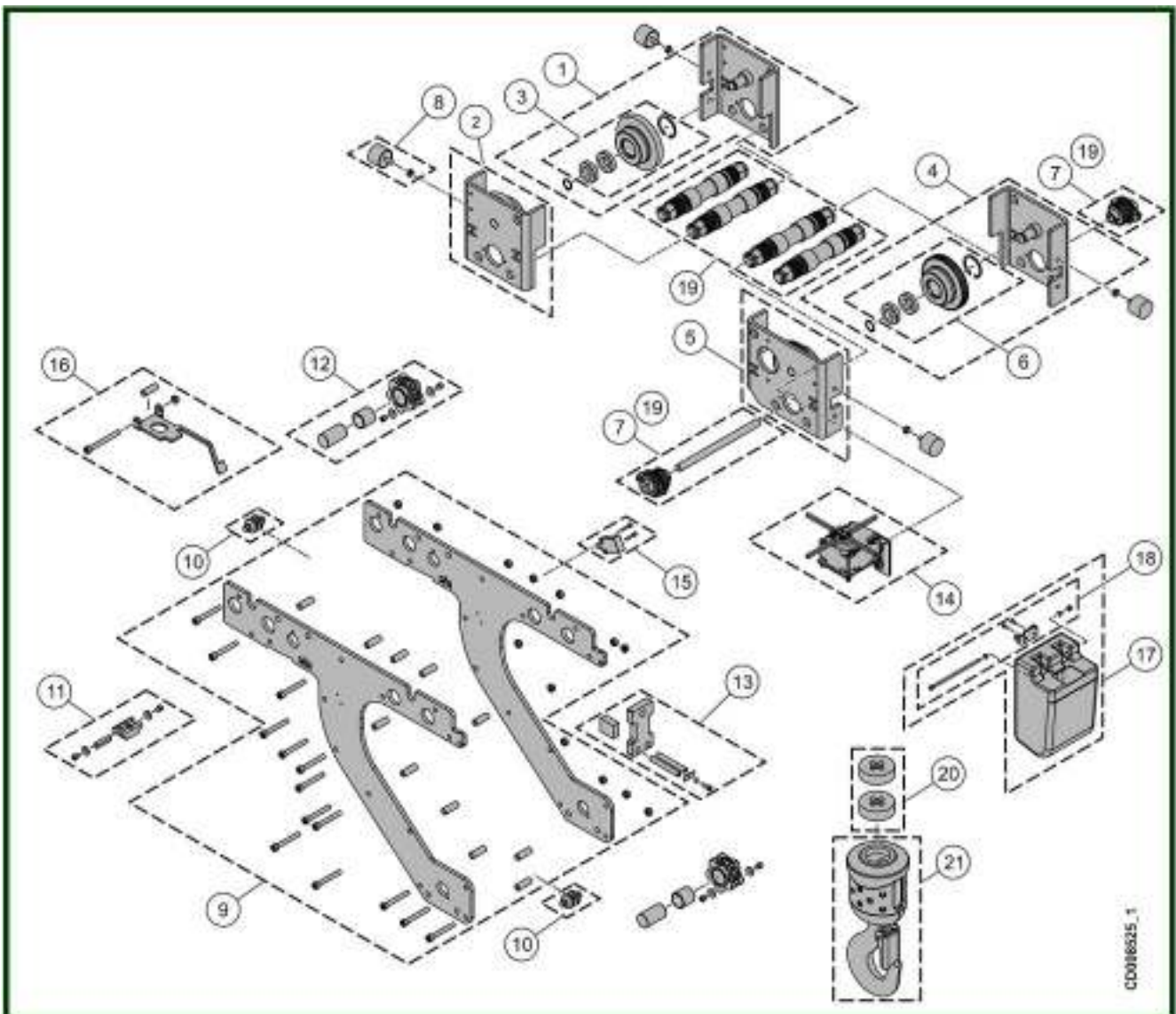
Item	Reference	Description	Observation	Quantity
	551037	Cubicle + Mac2 pcb		1
	2216904	Adaptation set for right angle travelling machinery	Pinion, flange, screws	1
	556972	Right angle traveling machinery	Speed 10 & 2.5m/min For C1-C2-C3	1
	2133033	Electrical board direction	2CT MAC	1

9. LOW HEADROOM TROLLEY

LHT



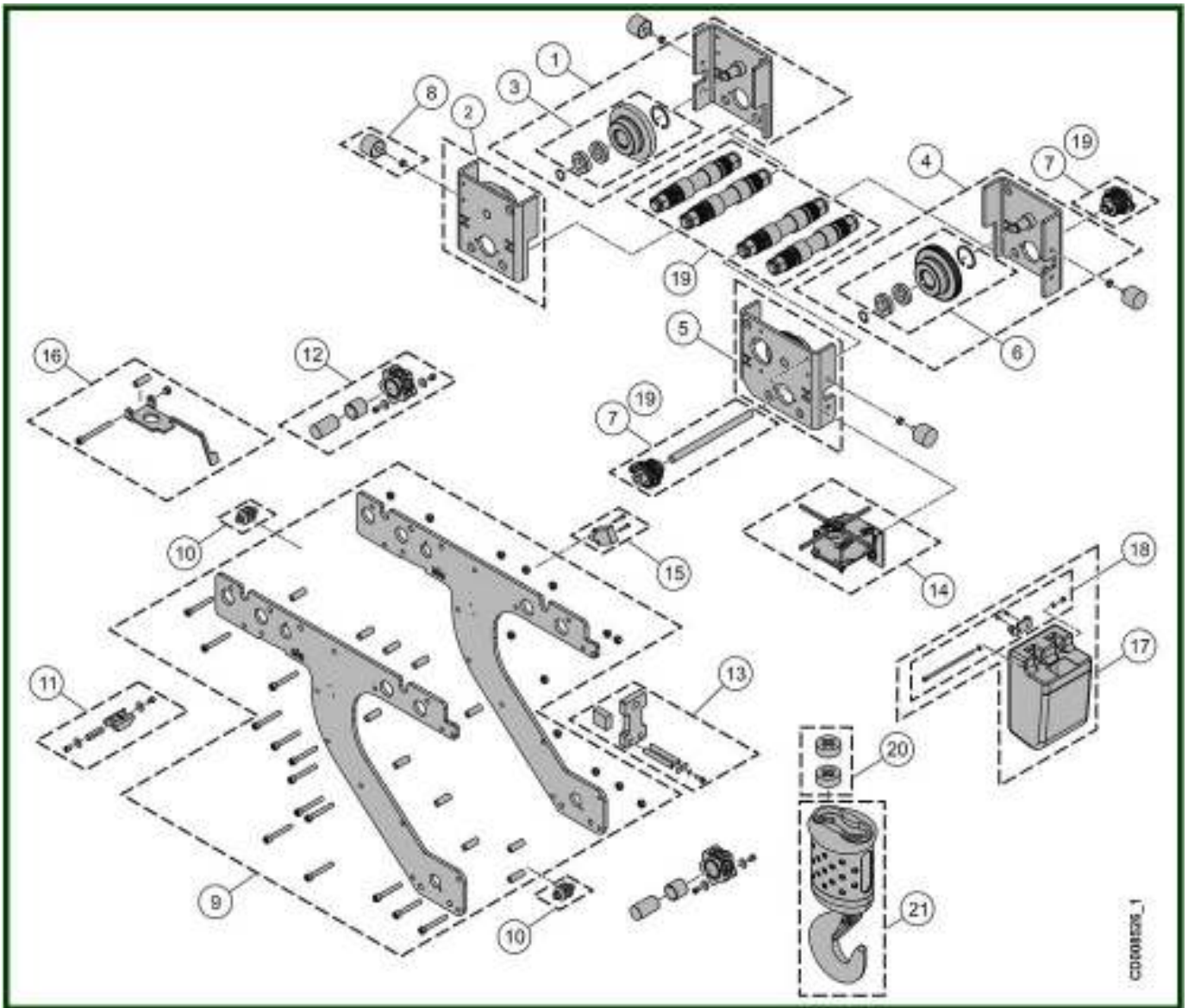
9.1. LHT - 1 Fall



LHT - 1 Fall

Item	Reference	Description	Observation	Quantity
1	<u>VT0008742</u>	Idle flange		1
2	<u>VT0008743</u>	Idle flange	Motor side	1
3	<u>VT0008961</u>	Travel wheel idle without shaft		2
4	<u>VT0008745</u>	Motor flange	Motor side	1
5	<u>VT0008746</u>	Motor flange	Motor side	1
6	<u>VT0008963</u>	Complete travel wheel without shaft		2
7	<u>VT0008748</u>	Gear wheel set - 66 to 112	L232	1
7	<u>VT0008947</u>	Gear wheel set - 113 to 154	L274	1
7	<u>VT0008948</u>	Gear wheel set - 155 to 199	L315	1
7	<u>VT0008949</u>	Gear wheel set - 200 to 259	L362	1
7	<u>VT0008950</u>	Gear wheel set - 260 to 300	L422	1
8	<u>VT0008749</u>	Buffer	D40 L50	1
9	<u>VT0009154</u>	Plate set	LHCT25	1
10	<u>VT0009155</u>	Diabolo set	LHT - 1 Fall	1
11	<u>VT0009156</u>	Fixing set	D28 L38	1
12	<u>VT0009157</u>	Return sprocket	7x20	2
13	<u>VT0009158</u>	Suspension set		1
14	<u>VT0008756</u>	Limit switch	LHT	1
15	<u>VT0009187</u>	Limit switch set	Short & Long	1
16	<u>VT0009159</u>	Limit switch activator		1
17	<u>VT0008733</u>	Complete chain bucket	6 m for 7x20 10 m for 5x14	1
17	<u>VT0008734</u>	Complete chain bucket	16 m for 7x20	1
17	<u>VT0008736</u>	Complete chain bucket	30 m for 7x20	1
18	<u>VT0009160</u>	Fixing set of chain bucket		1
19	<u>VT0009146</u>	Shaft set - 66 to 112	L232	1
19	<u>VT0009147</u>	Shaft set - 113 to 154	L274	1
19	<u>VT0009134</u>	Shaft set - 155 to 199	L315	1
19	<u>VT0009148</u>	Shaft set - 200 to 259	L362	1
19	<u>VT0009149</u>	Shaft set - 260 à 300	L422	1
20	<u>VT0008134</u>	Rubber chain stop - D40 T15	Replace old model rubber	1
21	<u>VT0008553</u>	Hook block - 1 fall	Standard hook -	1
	<u>601805</u>	Limit switch	1 for 1 steps - 2 for 2 steps	1

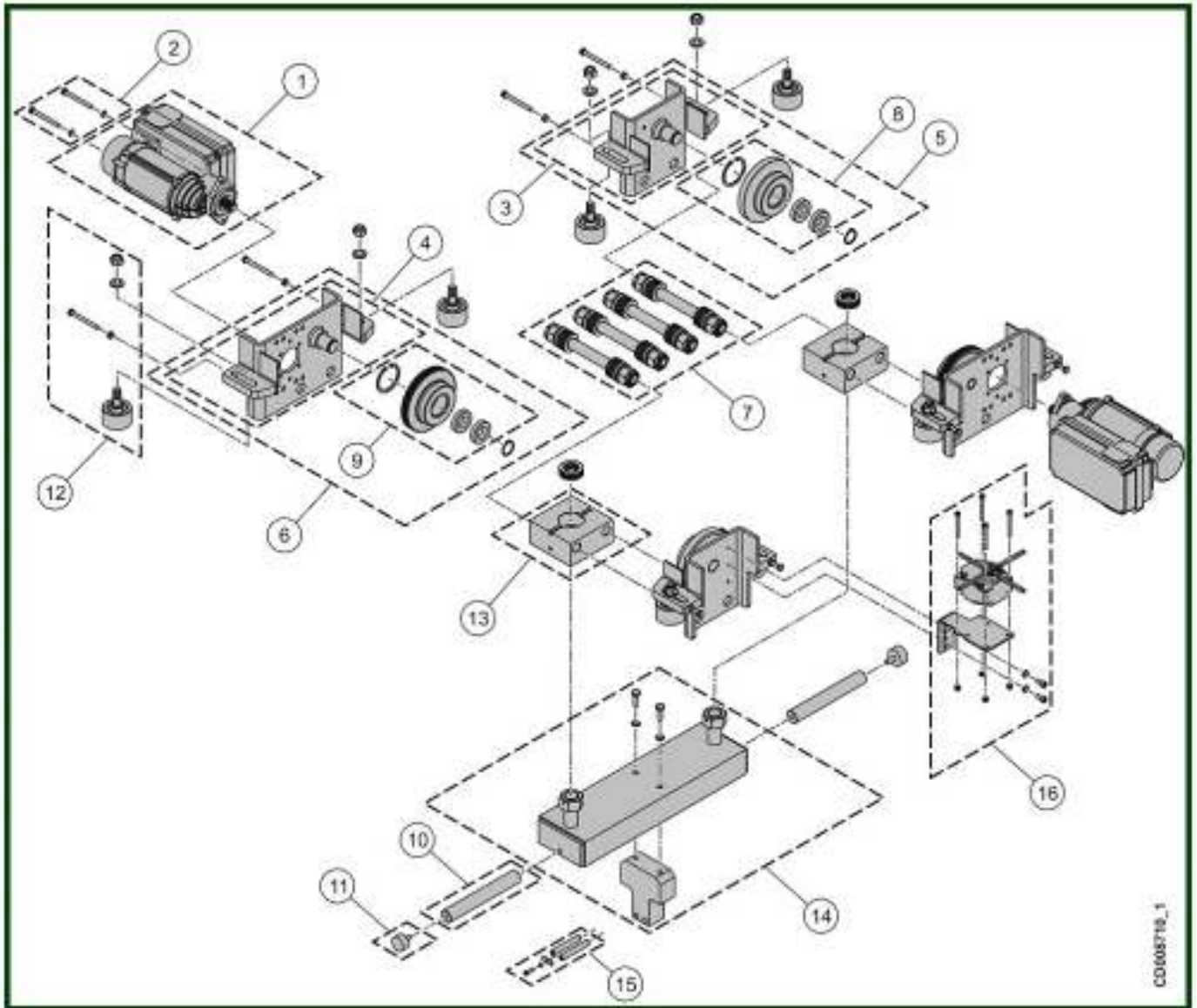
9.2. LHT - 2 falls



LHT - 2 falls

Item	Reference	Description	Observation	Quantity
1	<u>VT0008742</u>	Idle flange		1
2	<u>VT0008743</u>	Idle flange	Motor side	1
3	<u>VT0008961</u>	Travel wheel idle without shaft		2
4	<u>VT0008745</u>	Motor flange	Motor side	1
5	<u>VT0008746</u>	Motor flange	Motor side	1
6	<u>VT0008963</u>	Complete travel wheel without shaft		2
7	<u>VT0008748</u>	Gear wheel set - 66 to 112	L232	1
7	<u>VT0008947</u>	Gear wheel set - 113 to 154	L274	1
7	<u>VT0008948</u>	Gear wheel set - 155 to 199	L315	1
7	<u>VT0008949</u>	Gear wheel set - 200 to 259	L362	1
7	<u>VT0008950</u>	Gear wheel set - 260 to 300	L422	1
8	<u>VT0008749</u>	Buffer	D40 L50	1
9	<u>VT0009154</u>	Plate set	LHCT25	1
10	<u>VT0009155</u>	Diabolo set	D28 L38	1
11	<u>VT0009156</u>	Fixing set		1
12	<u>VT0009157</u>	Return sprocket	7x20	2
13	<u>VT0009158</u>	Suspension set		1
14	<u>VT0008756</u>	Limit switch	1 step	1
15	<u>VT0009187</u>	Limit switch set	Short & Long	1
16	<u>VT0009159</u>	Limit switch activator		1
17	<u>VT0008733</u>	Complete chain bucket	6 m for 7x20 10 m for 5x14	1
17	<u>VT0008734</u>	Complete chain bucket	16 m for 7x20	1
17	<u>VT0008736</u>	Complete chain bucket	30 m for 7x20	1
18	<u>VT0009160</u>	Fixing set of chain bucket		1
19	<u>VT0009146</u>	Shaft set - 66 to 112	L232	1
19	<u>VT0009147</u>	Shaft set - 113 to 154	L274	1
19	<u>VT0009134</u>	Shaft set - 155 to 199	L315	1
19	<u>VT0009148</u>	Shaft set - 200 to 259	L362	1
19	<u>VT0009149</u>	Shaft set - 260 to 300	L422	1
20	<u>VT0008134</u>	Rubber chain stop Replace old model rubber	D40 T15	1
21	<u>VT0008556</u>	Hook block - 2 falls	Standard hook	1
-	<u>601805</u>	Limit switch	1 for 1 step - 2 for 2 steps	1

10. SWIVELLING TROLLEY



CD0005718_1

Swivelling trolley

Item	Reference	Description	Observation	Quantity
1	52890304	Travelling motor TMK1C-400V.42@230VBIM	Load <= 1000 kg	2
1	52890303	Travelling motor TMK2C-400V.42@230VBIM	Load > 1000 kg	2
2	52311193	Motor fixing screw and washer	Short & long	4
3	52299591	Idle flange + axle		2
4	52299593	Driving flange + axle		2
5	52299598	Idler side plate assembly		2
6	52299599	Drive side plate assembly		2
7	52725624	Tie rod - 66 to 110		1
7	52725625	Tie rod - 113 to 170		1
7	52725626	Tie rod - 178 to 240		1
7	52725627	Tie rod - 248 to 310		1
8	52725962	Travel wheel idler without shaft	C03 - C10 Ø 100x150 mm - Standard	2
9	52725963	Travel wheel driving	C03 - C10 Ø 100x150 mm - Standard	2
10	52725620	Buffer extension		2
11	52726001	Buffer	C02 - C03 - C05 - C10	2
12	52737088	Guiding wheel set		8
13	52737988	Cross bar only		2
14	53167932	Coupling part		1
15	53028503	Shaft set		1
16	53111312	Limit switch set	1 step L243 W200 H169.9	1
16	52726053	Limit switch set	2 steps	1
-	601805	Limit switch	1 for 1 step - 2 for 2 steps	1