

## **Spare parts catalog for "VR12 Vario"**

To avoid errors, when ordering please specify:

- Complete type of hoist
- Date of manufacture and serial number
- Spare part code
- Spare part designation
- Additional information



### **1) FRAME**

- 1.1) Upper hook
- 1.2) Manual trolley
- 1.3) Electric trolley from 0 to 1000 kg
- 1.4) Electric trolley from 1001 to 2500 kg

### **2) CHAIN GUIDE**

- 2.1) Chain guide 7x20 - 1 fall
- 2.2) Chain guide 7x20 - 2 falls
- 2.3) Precut chain

### **3) GEAR**

- 4.1) Single brake
- 4.2) Double brakes

### **4) MOTOR**

### **5) ELECTRICAL PARTS**

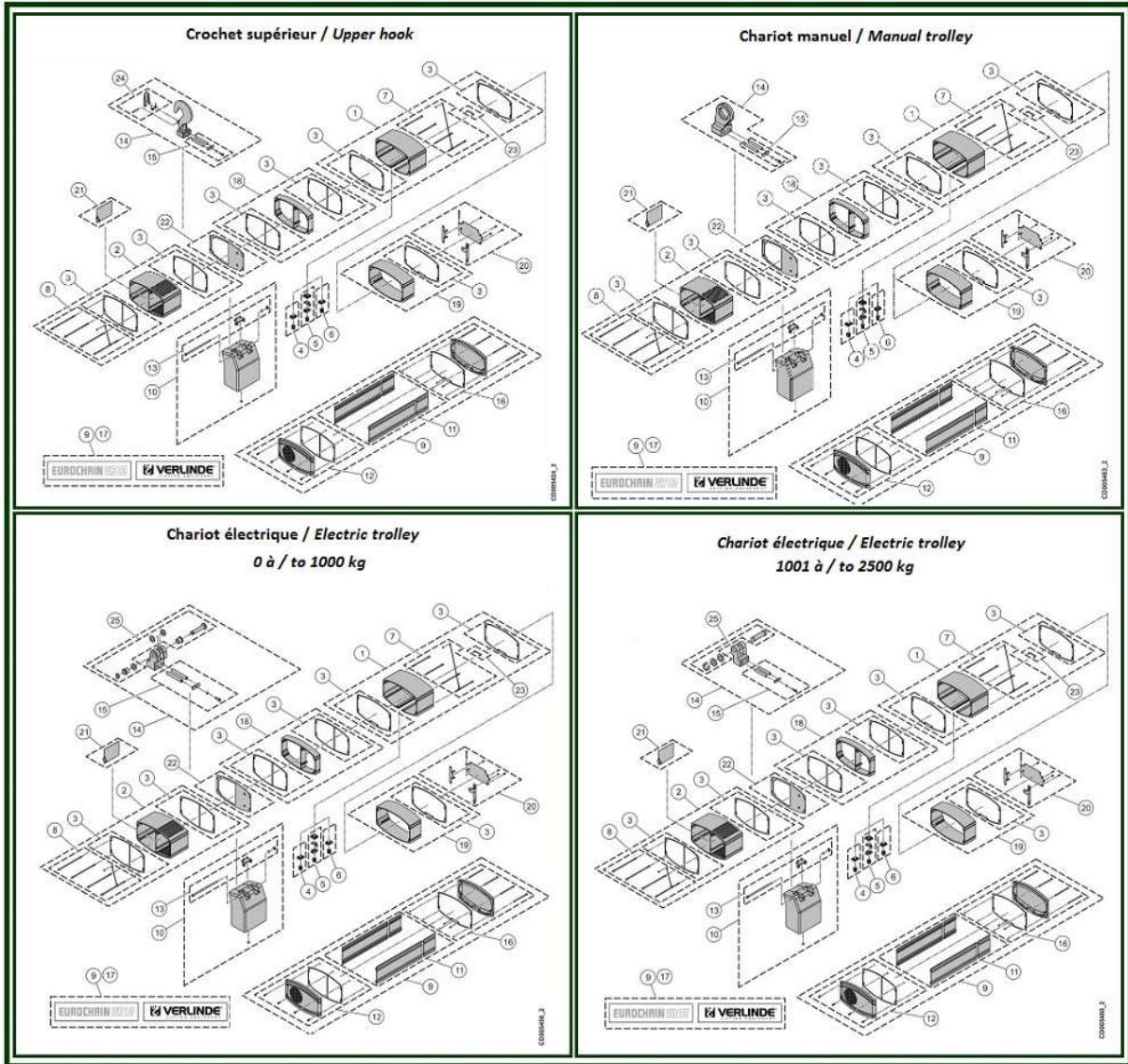
### **6) PUSH BUTTON CONTROLLER**

- 6.1) 2 buttons
- 6.2) 4 buttons
- 6.3) 6 buttons
- 6.4) Push button controller - From september 2014

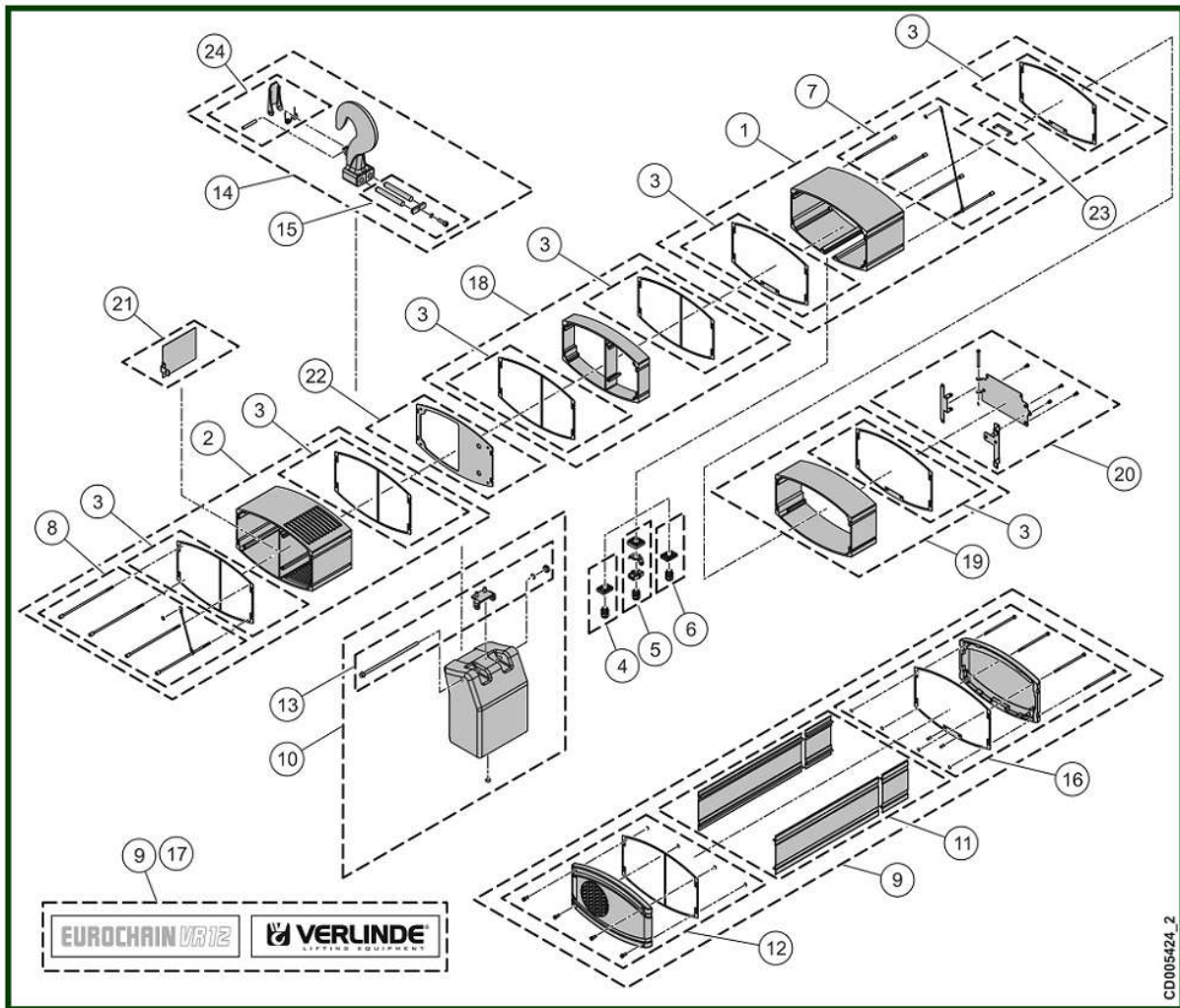
### **7) NORMAL HEADROOM TROLLEY**

- 7.1) C1 trolley - 0 to 1000 kg - Hanging version
- 7.2) C1 trolley - 0 to 1000 kg - Coupled version
- 7.3) C2 trolley - 1001 to 2000 kg - Hanging version
- 7.4) C2 trolley - 1001 to 2000 kg - Coupled version
- 7.5) C3 trolley - 2001 to 3200 kg - Hanging version
- 7.6) C3 trolley - 2001 to 3200 kg - Coupled version

# 1) Frame



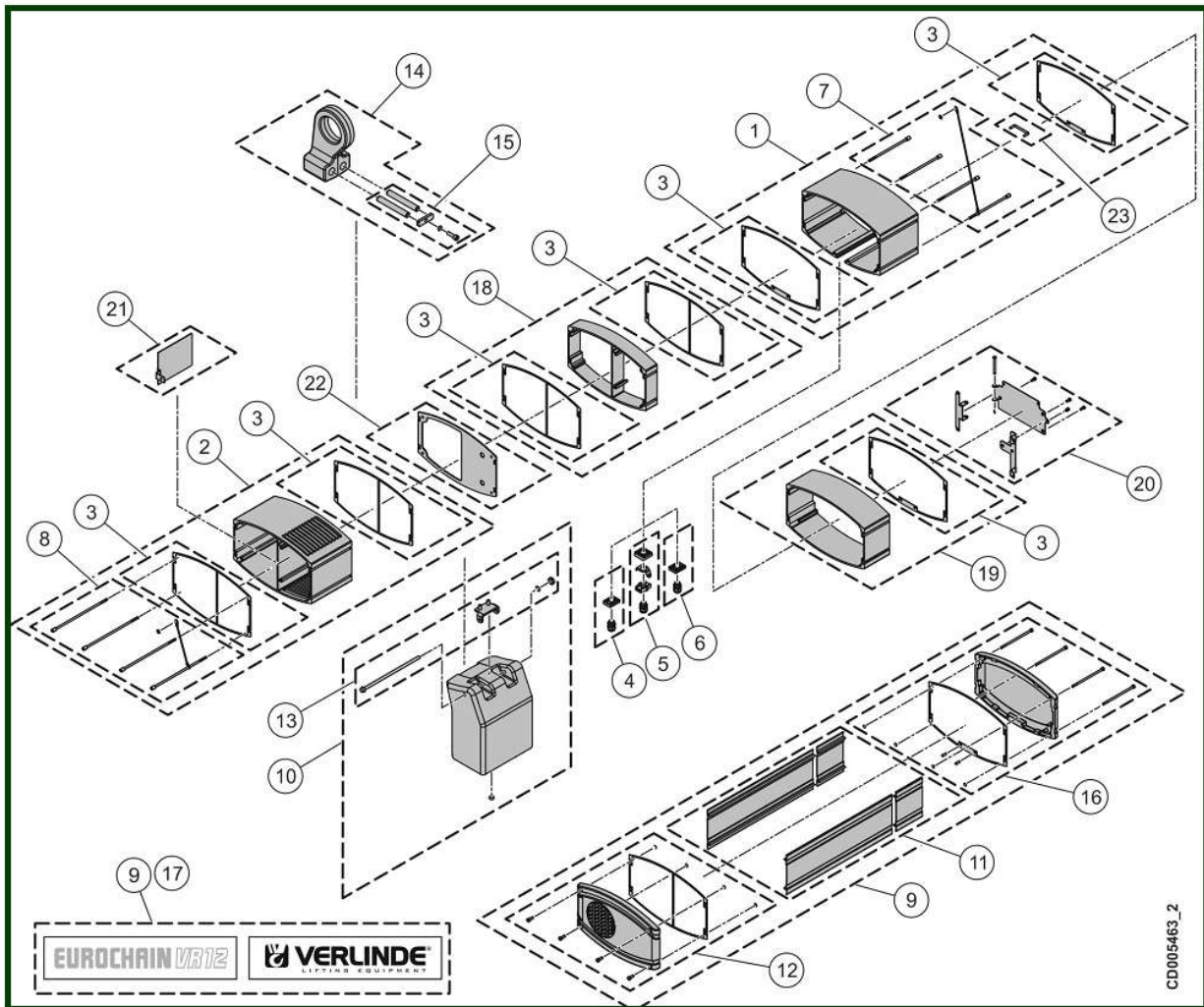
## 1.1) Upper hook



item	reference	description	observation	Quantity
1	<a href="#">VT0005547</a>	Frame - Brake side	Simple frein / Single brake - Elliptique / Elliptic	1
2	<a href="#">VT0007655</a>	Housing set - Motor side		1
3	<a href="#">VT0005548</a>	Sealing set		1
4	<a href="#">VT0006393</a>	Cable gland set - Square cable entry	CG M20- ISO 20 Chariot-Alimentation Trolley-Power supply	1
5	<a href="#">VT0005090</a>	Cable gland set - Square cable entry	Boîte à boutons / Push button	1
6	<a href="#">VT0006089</a>	End cap - Square cable entry		1
7	<a href="#">VT0005550</a>	Screws set LG 182 - Brake side	Simple frein / single brake	1
8	<a href="#">VT0005549</a>	Screws set LG 206 - Motor side	Simple frein / single brake	1
9	<a href="#">VT0007658</a>	Frame	VERLINDE	1
10	<a href="#">VT0005552</a>	Chain bucket	6 m pour/for 7x20 or 10 m f pour/for or 5x14 Sauf HPR / Except LHT	1
10	<a href="#">VT0006760</a>	Chain bucket	16 m pour/for 7x20 Sauf HPR / Except LHT	1
10	<a href="#">VT0005622</a>	Chain bucket	30 m pour/for 7x20 Sauf HPR / Except LHT	1
11	<a href="#">VT0007712</a>	Set of housing	VERLINDE	1
12	<a href="#">VT0007713</a>	End cap - Motor side	VERLINDE	1
13	<a href="#">VT0005560</a>	Fixing set - Chain bucket		1
14	<a href="#">VT0005561</a>	Upper hook		1
15	<a href="#">VT0005562</a>	Shaft set		1
16	<a href="#">VT0007723</a>	End cape - Brake side	VERLINDE	1
17	<a href="#">VT0005565</a>	Stickers set - Brand	VERLINDE	1
18	<a href="#">VT0007727</a>	Inverter cover set		1
19	<a href="#">VT0007732</a>	Fixing part - Brake side		1

21	<u>VT0007726</u>	Brake resistor support		1
22	<u>VT0007654</u>	Intermediate plate		1
23	<u>VT0007653</u>	Locking part		1
24	<u>VT0005902</u>	Safety latch		1
-	<u>VT0006026</u>	Identification plate	Demande de numéro de série /Serial number request	1

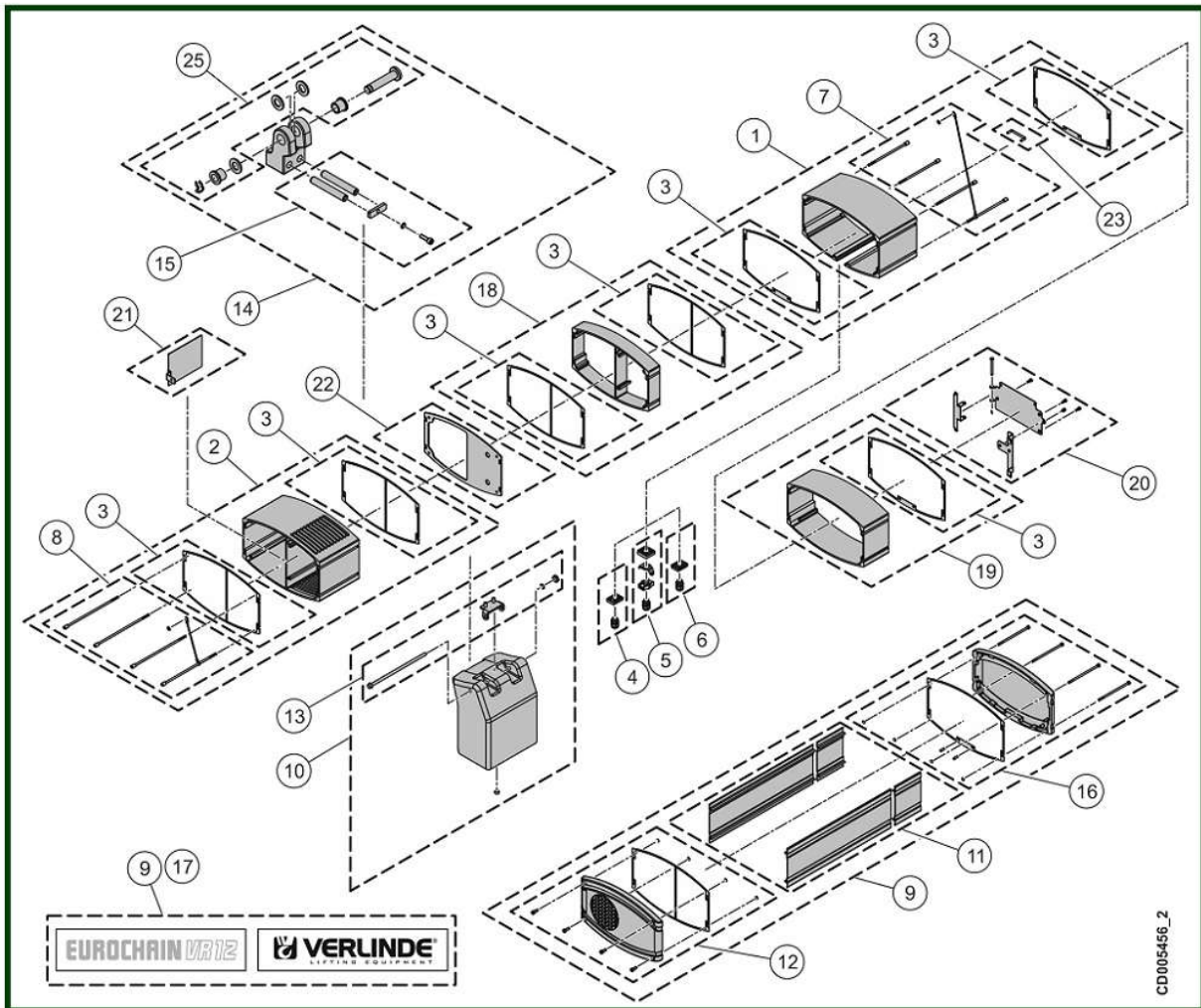
## 1.2) Manual trolley



item	reference	description	observation	Quantity
1	VT0005547	Frame - Brake side	Simple frein / Single brake - Elliptique / Elliptic	1
2	VT0007655	Housing set - Motor side		1
3	VT0005548	Sealing set		1
4	VT0006393	Cable gland set - Square cable entry	CG M20- ISO 20 Chariot-Alimentation Trolley-Power supply	1
5	VT0005090	Cable gland set - Square cable entry	Boîte à boutons / Push button	1
6	VT0006089	End cap - Square cable entry		1
7	VT0005550	Screws set LG 182 - Brake side	Simple frein / single brake	1
8	VT0005549	Screws set LG 206 - Motor side	Simple frein / single brake	1
9	VT0007658	Frame	VERLINDE	1
10	VT0005552	Chain bucket	6 m pour/for 7x20 or 10 m f pour/for or 5x14 Sauf HPR / Except LHT	1
10	VT0006760	Chain bucket	16 m pour/for 7x20 Sauf HPR / Except LHT	1
10	VT0005622	Chain bucket	30 m pour/for 7x20 Sauf HPR / Except LHT	1
11	VT0007712	Set of housing	VERLINDE	1
12	VT0007713	End cap - Motor side	VERLINDE	1
13	VT0005560	Fixing set - Chain bucket		1
14	VT0005848	Manual trolley		1
15	VT0005562	Shaft set		1
16	VT0007723	End cape - Brake side	VERLINDE	1
17	VT0005565	Stickers set - Brand	VERLINDE	1
18	VT0007727	Inverter cover set		1

19	<u>VT0007732</u>	Fixing part - Brake side		1
21	<u>VT0007726</u>	Brake resistor support		1
22	<u>VT0007654</u>	Intermediate plate		1
23	<u>VT0007653</u>	Locking part		1
24	<u>VT0005902</u>	Safety latch		1
-	<u>VT0006026</u>	Identification plate	Demande de numéro de série /Serial number request	1

### 1.3) Electric trolley from 0 to 1000 kg

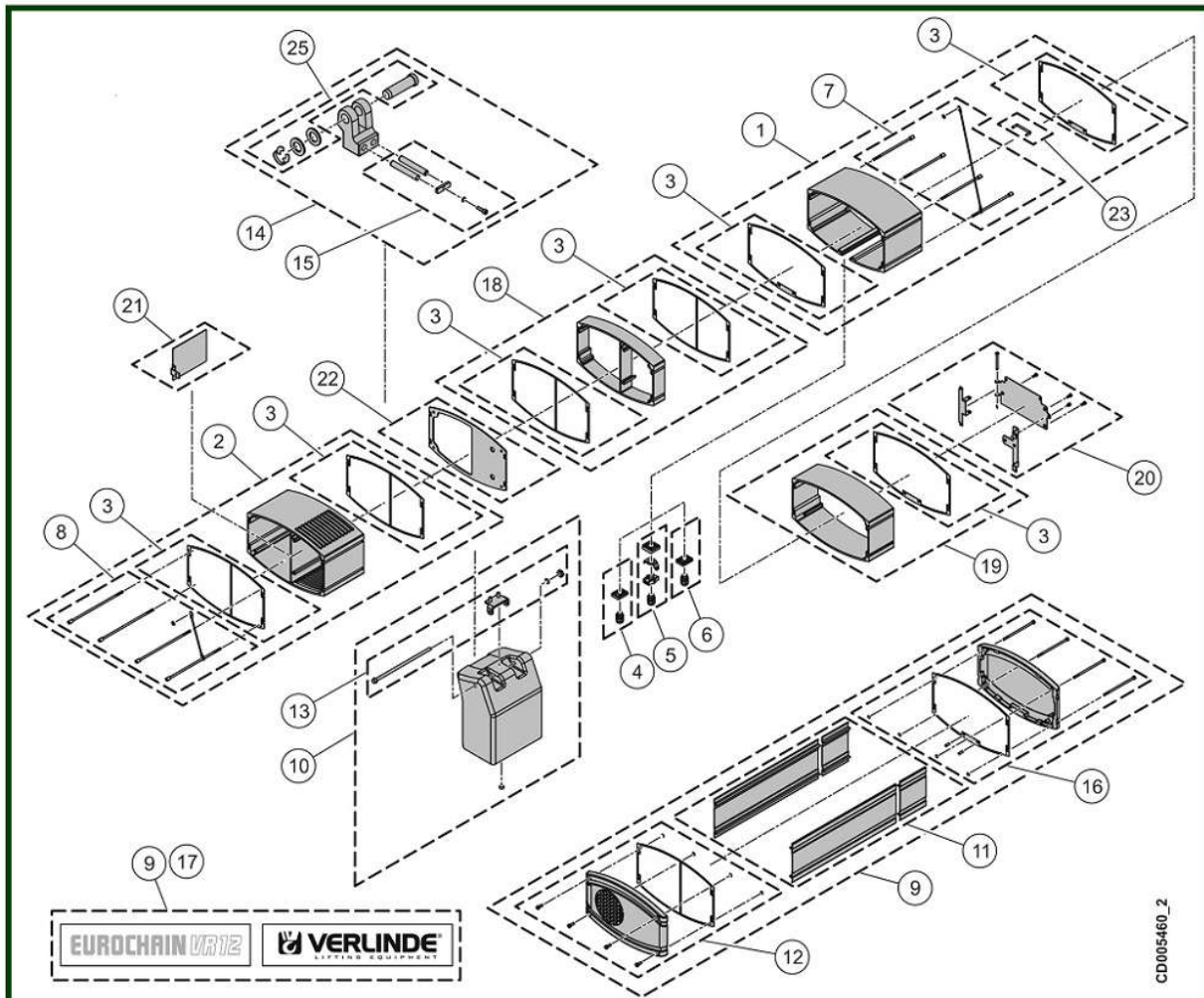


item	reference	description	observation	Quantity
1	<a href="#">VT0005547</a>	Frame - Brake side	Simple frein / Single brake - Elliptique / Elliptic	1
2	<a href="#">VT0007655</a>	Housing set - Motor side		1
3	<a href="#">VT0005548</a>	Sealing set		1
4	<a href="#">VT0006393</a>	Cable gland set - Square cable entry	CG M20- ISO 20 Chariot-Alimentation Trolley-Power supply	1
5	<a href="#">VT0005090</a>	Cable gland set - Square cable entry	Boîte à boutons / Push button	1
6	<a href="#">VT0006089</a>	End cap - Square cable entry		1
7	<a href="#">VT0005550</a>	Screws set LG 182 - Brake side	Simple frein / single brake	1
8	<a href="#">VT0005549</a>	Screws set LG 206 - Motor side	Simple frein / single brake	1
9	<a href="#">VT0007658</a>	Frame	VERLINDE	1
10	<a href="#">VT0005552</a>	Chain bucket	6 m pour/for 7x20 or 10 m f pour/for or 5x14 Sauf HPR / Except LHT	1
10	<a href="#">VT0006760</a>	Chain bucket	16 m pour/for 7x20 Sauf HPR / Except LHT	1
10	<a href="#">VT0005622</a>	Chain bucket	30 m pour/for 7x20 Sauf HPR / Except LHT	1
11	<a href="#">VT0007712</a>	Set of housing	VERLINDE	1
12	<a href="#">VT0007713</a>	End cap - Motor side	VERLINDE	1
13	<a href="#">VT0005560</a>	Fixing set - Chain bucket		1
14	<a href="#">VT0005862</a>	Couplings part - Electric trolley	0 à/to 1000 kg	1
15	<a href="#">VT0005562</a>	Shaft set		1
16	<a href="#">VT0007723</a>	End cape - Brake side	VERLINDE	1
17	<a href="#">VT0005565</a>	Stickers set - Brand	VERLINDE	1
18	<a href="#">VT0007727</a>	Inverter cover set		1
19	<a href="#">VT0007732</a>	Fixing part - Brake side		1

21	<u>VT0007726</u>	Brake resistor support		1
22	<u>VT0007654</u>	Intermediate plate		1
23	<u>VT0007653</u>	Locking part		1
24	<u>VT0005902</u>	Safety latch		1
25	<u>VT0005976</u>	Shaft set - Electric trolley	0 à/to 1000 kg	1
-	<u>VT0006026</u>	Identification plate	Demande de numéro de série /Serial number request	1



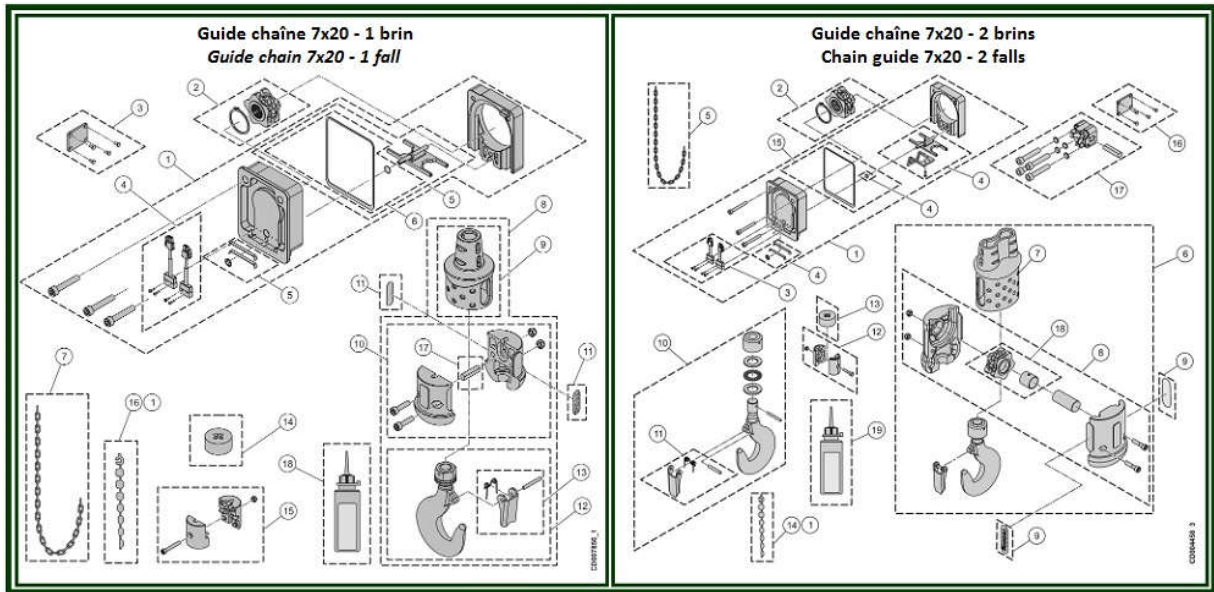
## 1.4) Electric trolley from 1001 to 2500 kg



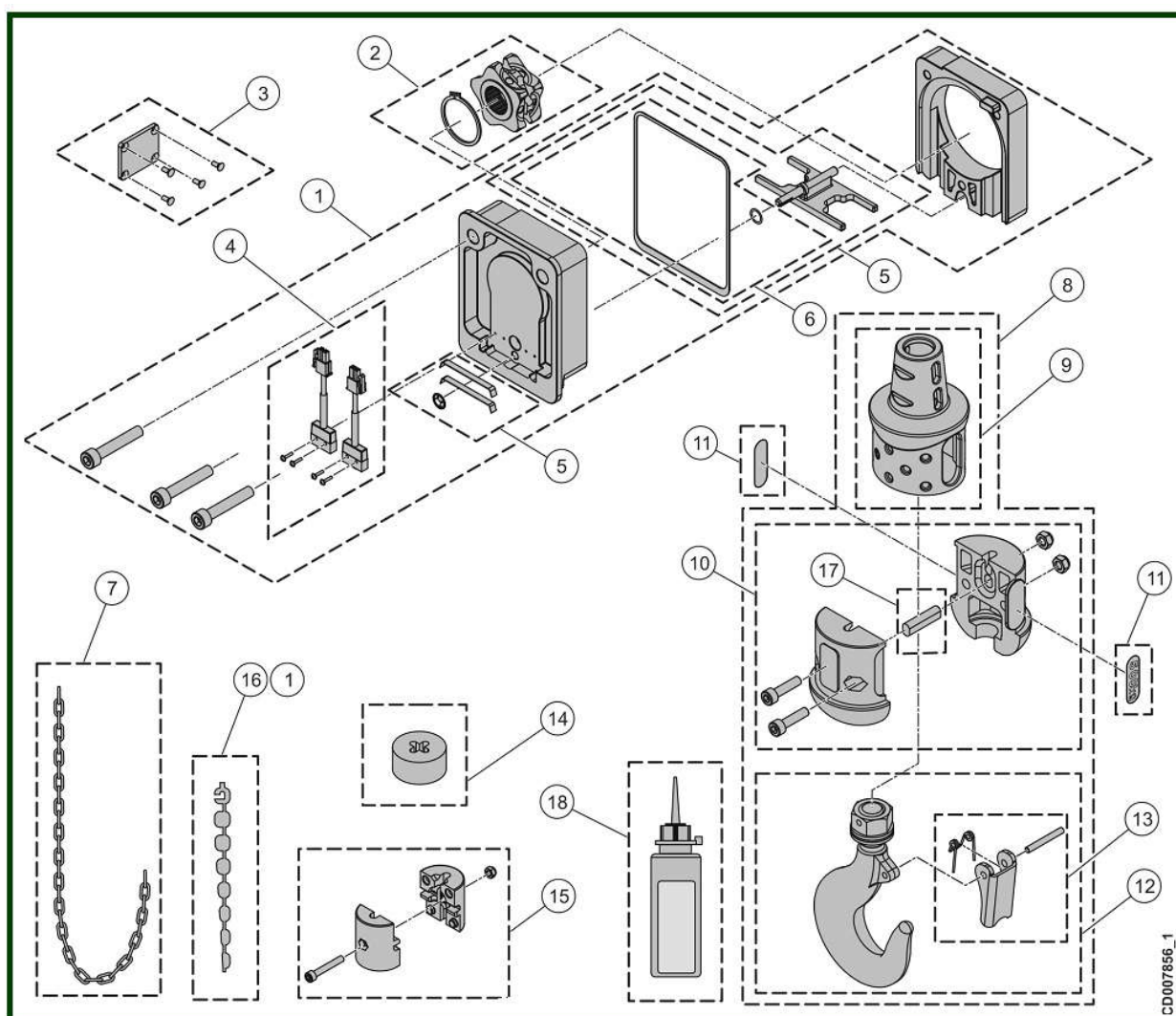
item	reference	description	observation	Quantity
1	<a href="#">VT0005547</a>	Frame - Brake side	Simple frein / Single brake - Elliptique / Elliptic	1
2	<a href="#">VT0007655</a>	Housing set - Motor side		1
3	<a href="#">VT0005548</a>	Sealing set		1
4	<a href="#">VT0006393</a>	Cable gland set - Square cable entry	CG M20- ISO 20 Chariot-Alimentation Trolley-Power supply	1
5	<a href="#">VT0005090</a>	Cable gland set - Square cable entry	Boîte à boutons / Push button	1
6	<a href="#">VT0006089</a>	End cap - Square cable entry		1
7	<a href="#">VT0005550</a>	Screws set LG 182 - Brake side	Simple frein / single brake	1
8	<a href="#">VT0005549</a>	Screws set LG 206 - Motor side	Simple frein / single brake	1
9	<a href="#">VT0007658</a>	Frame	VERLINDE	1
10	<a href="#">VT0005552</a>	Chain bucket	6 m pour/for 7x20 or 10 m f pour/for or 5x14 Sauf HPR / Except LHT	1
10	<a href="#">VT0006760</a>	Chain bucket	16 m pour/for 7x20 Sauf HPR / Except LHT	1
10	<a href="#">VT0005622</a>	Chain bucket	30 m pour/for 7x20 Sauf HPR / Except LHT	1
11	<a href="#">VT0007712</a>	Set of housing	VERLINDE	1
12	<a href="#">VT0007713</a>	End cap - Motor side	VERLINDE	1
13	<a href="#">VT0005560</a>	Fixing set - Chain bucket		1
14	<a href="#">VT0005849</a>	Couplings part - Electric trolley	1001 à/ to 2500 kg	1
15	<a href="#">VT0005562</a>	Shaft set		1
16	<a href="#">VT0007723</a>	End cape - Brake side	VERLINDE	1
17	<a href="#">VT0005565</a>	Stickers set - Brand	VERLINDE	1
18	<a href="#">VT0007727</a>	Inverter cover set		1
19	<a href="#">VT0007732</a>	Fixing part - Brake side		1

21	<u>VT0007726</u>	Brake resistor support		1
22	<u>VT0007654</u>	Intermediate plate		1
23	<u>VT0007653</u>	Locking part		1
24	<u>VT0005902</u>	Safety latch		1
25	<u>VT0005975</u>	Shaft set - Electric trolley	1001 à/to 2500 kg	1
-	<u>VT0006026</u>	Identification plate	Demande de numéro de série /Serial number request	1

## 2) Chain guide



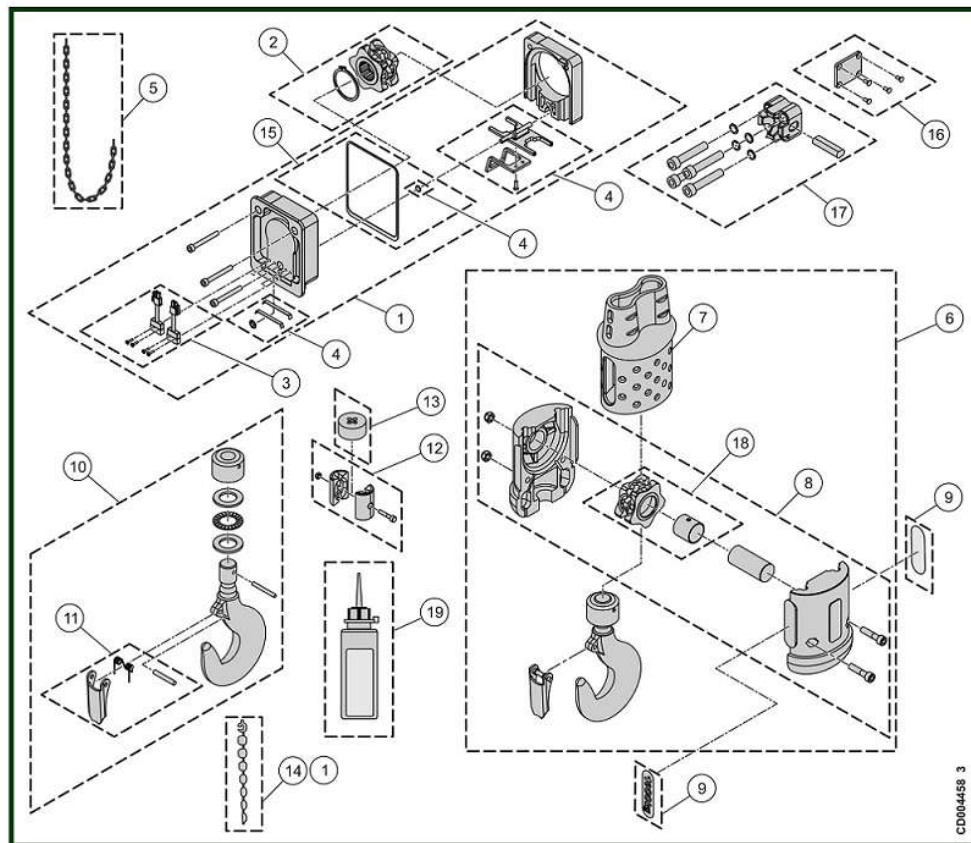
## 2.1) Chain guide 7x20 - 1 fall



item	reference	description	observation	Quantity
1	<a href="#">VT0005850</a>	Chain guide - Chain 7x20	1 brin / 1 fall	1
2	<a href="#">VT0005851</a>	Chain sprocket	1 brin / 1 fall	1
3	<a href="#">VT0005852</a>	Cap		1
4	<a href="#">VT0004876</a>	Switch set		1
5	<a href="#">VT0005853</a>	Limit switch activator		1
6	<a href="#">VT0005854</a>	Sealings set		1
7	<a href="#">VT0005544</a>	Galvanized chain - 7x20	Standard	1
7	<a href="#">VT0006352</a>	Stainless steel chain - 7x20	Attention : palan déclassé / Be careful : hoist downgraded	1
8	<a href="#">VT0006505</a>	Complete hook block - 1 fall	Crochet automatique - Automatic hook	1
8	<a href="#">VT0006506</a>	Complete hook block - 1 fall	Crochet inox - Stainless steel hook	1
8	<a href="#">VT0005847</a>	Complete hook block - 1 fall	Crochet standard - Standard hook	1
9	<a href="#">VT0005855</a>	Rubber chain stop		1
10	<a href="#">VT0005856</a>	Hook component	Crochet standard-1 brin / Standard hook-1 fall	1
11	<a href="#">VT0005857</a>	Set of 10 load plates - Hoist	500 Kg	1
11	<a href="#">VT0005858</a>	Set of 10 load plates - Hoist	630 Kg	1
11	<a href="#">VT0005859</a>	Set of 10 load plates - Hoist	1000 Kg	1
11	<a href="#">VT0005860</a>	Set of 10 load plates - Hoist	1250 Kg	1
12	<a href="#">VT0006486</a>	Automatic hook assembly		1
12	<a href="#">VT0006507</a>	Stainless steel hook assembly	ATTENTION : Palan déclassé / BE CAREFUL : the max load have to be decreased	1
12	<a href="#">VT0005861</a>	Standard hook		1
13	<a href="#">VT0005903</a>	Safety latch	Crochet rotatif-1 brin / Rotary hook-1 fall	1
14	<a href="#">VT0005863</a>	Rubber chain stop - Old model	2 brins : Ne pas monter sur le brin de chaîne de levage 2 falls : Never use as chain stop side hook	1

14	<u>VT0007572</u>	Rubber slack fall stop - Since novembre 2015		1
15	<u>VT0005864</u>	Chain stop	2 brins : Ne pas monter sur le brin de chaîne de levage 2 falls : Never use as chain stop side hook	1
16	<u>VT0005575</u>	Chain fitting tool		1
17	<u>VT0006371</u>	Pin	1 brin / 1 fall	1
18	<u>VT0006025</u>	Oil can		1

## 2.2) Chain guide 7x20 - 2 falls

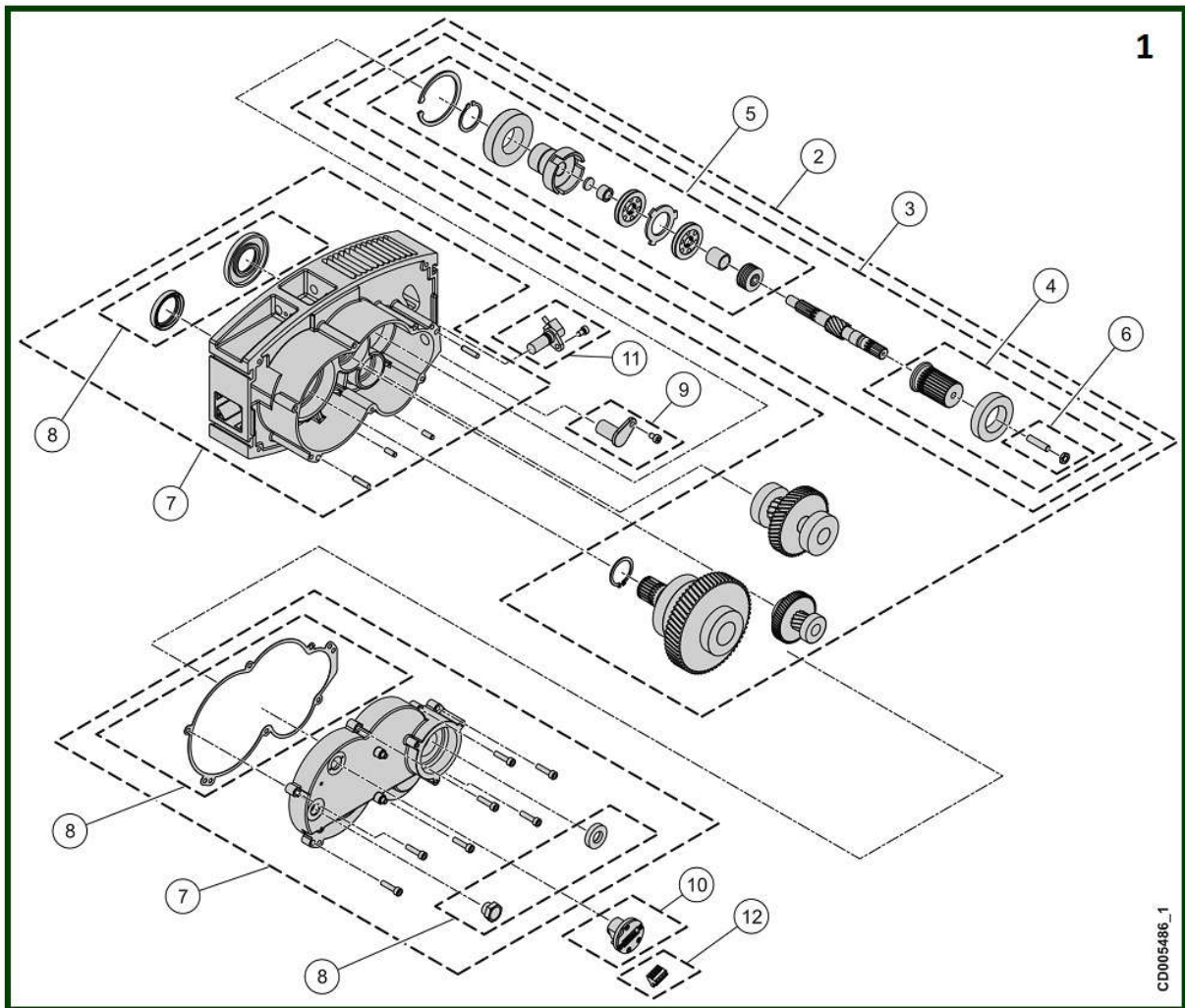


item	reference	description	observation	Quantity
1	<a href="#">VT0005865</a>	Chain guide - Chain 7x20	2 brins / 2 falls	1
2	<a href="#">VT0005851</a>	Chain sprocket	1 brin / 1 fall	1
3	<a href="#">VT0004876</a>	Switch set		1
4	<a href="#">VT0005872</a>	Limit switch activator		1
5	<a href="#">VT0005544</a>	Galvanized chain - 7x20	Standard	1
5	<a href="#">VT0006352</a>	Stainless steel chain - 7x20	Attention : palan déclassé / Be careful : hoist downgraded	1
6	<a href="#">VT0005867</a>	Hook block - 2 falls	Crochet standard / Standard hook	1
7	<a href="#">VT0005868</a>	Rubber chain stop	2 brins / 2 falls	1
8	<a href="#">VT0005883</a>	Hook component	Crochet standard - Standard hook	1
8a	<a href="#">VT0005882</a>	Return sprocket	2 brins / 2 falls	1
9	<a href="#">VT0005873</a>	Set of 10 load plates	1600 Kg	1
9	<a href="#">VT0005874</a>	Set of 10 load plates	2000 Kg	1
9	<a href="#">VT0005875</a>	Set of 10 load plates	2500 Kg	1
10	<a href="#">VT0006519</a>	Automatic hook assembly	BKT-10-10	1
10	<a href="#">VT0005884</a>	Standard hook assembly		1
11	<a href="#">VT0005902</a>	Safety latch		1
12	<a href="#">VT0005864</a>	Chain stop	2 brins : Ne pas monter sur le brin de chaîne de levage 2 falls : Never use as chain stop side hook	1
13	<a href="#">VT0005863</a>	Rubber chain stop - Old model	2 brins : Ne pas monter sur le brin de chaîne de levage 2 falls : Never use as chain stop side hook	1
14	<a href="#">VT0005575</a>	Chain fitting tool		1
15	<a href="#">VT0005854</a>	Sealings set		1
16	<a href="#">VT0005852</a>	Cap		1
17	<a href="#">VT0005885</a>	Fixing set	7x20 - 2 brins / 2 falls	1
-	<a href="#">VT0006025</a>	Oil can		1

## **2.3) Precut chain**

<b>item</b>	<b>reference</b>	<b>description</b>	<b>observation</b>	<b>Quantity</b>
	<u>53021120</u>	Galvanized load chain - 7x20	5 mètres / meters	1
	<u>53021122</u>	Galvanized load chain - 7x20	6 mètres / meters	1
	<u>53021782</u>	Galvanized load chain - 7x20	8 mètres / meters	1
	<u>53022502</u>	Galvanized load chain - 7x20	10 mètres / meters	1
	<u>53022511</u>	Galvanized load chain - 7x20	11 mètres / meters	1
	<u>53022512</u>	Galvanized load chain - 7x20	13 mètres / meters	1
	<u>53022523</u>	Galvanized load chain - 7x20	18 mètres / meters	1
	<u>53022525</u>	Galvanized load chain - 7x20	100 mètres / meters	1

### 3) Gear

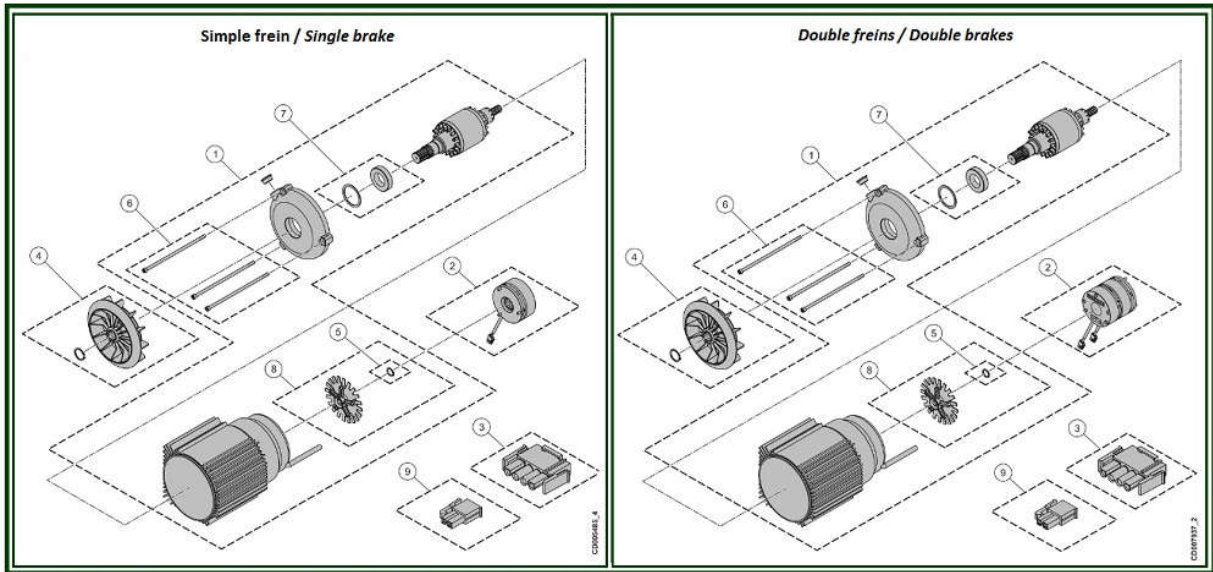


CD005486\_1

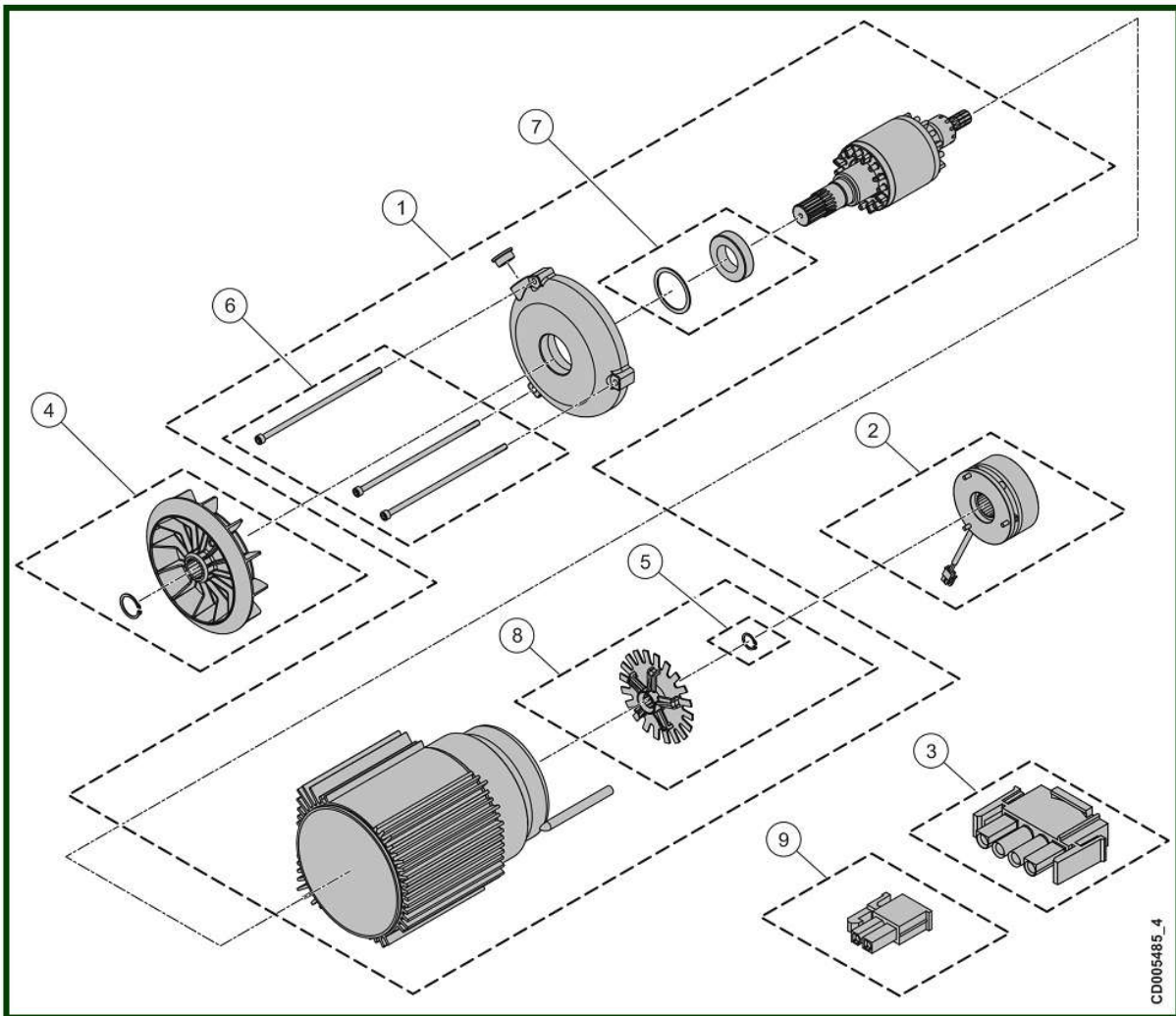
item	reference	description	observation	Quantity
1	<a href="#">VT0007733</a>	Gear assembly - 10 m/ min	Simple frein / Single brake	1
1	<a href="#">VT0007734</a>	Gear assembly - 20 m/ min	Simple frein / Single brake	1
2	<a href="#">VT0007739</a>	Gear pinion set - 10 m/ min	Simple frein / Single brake	1
2	<a href="#">VT0007740</a>	Gear pinion set - 20 m/ min	Simple frein / Single brake	1
3	<a href="#">VT0005896</a>	Gear shaft with clutch	8-10-16-20m/min Simple frein / Single brake	1
4	<a href="#">VT0005897</a>	Coupling - Brake side	Simple frein / Single brake	1
5	<a href="#">VT0007747</a>	Clutch with retaining ring		1
6	<a href="#">VT0005898</a>	Screws set		1
7	<a href="#">VT0007746</a>	Frame		1
8	<a href="#">VT0005899</a>	Sealings set	EC	1
9	<a href="#">VT0007754</a>	Encoder	Vitesse moteur / Motor speed	1
10	<a href="#">VT0007753</a>	Overload sensor		1
11	<a href="#">VT0007755</a>	Encoder	Vitesse arbre GV / Shaft speed	1
12	<a href="#">VT0006562</a>	Male plug		1



## 4) Motor

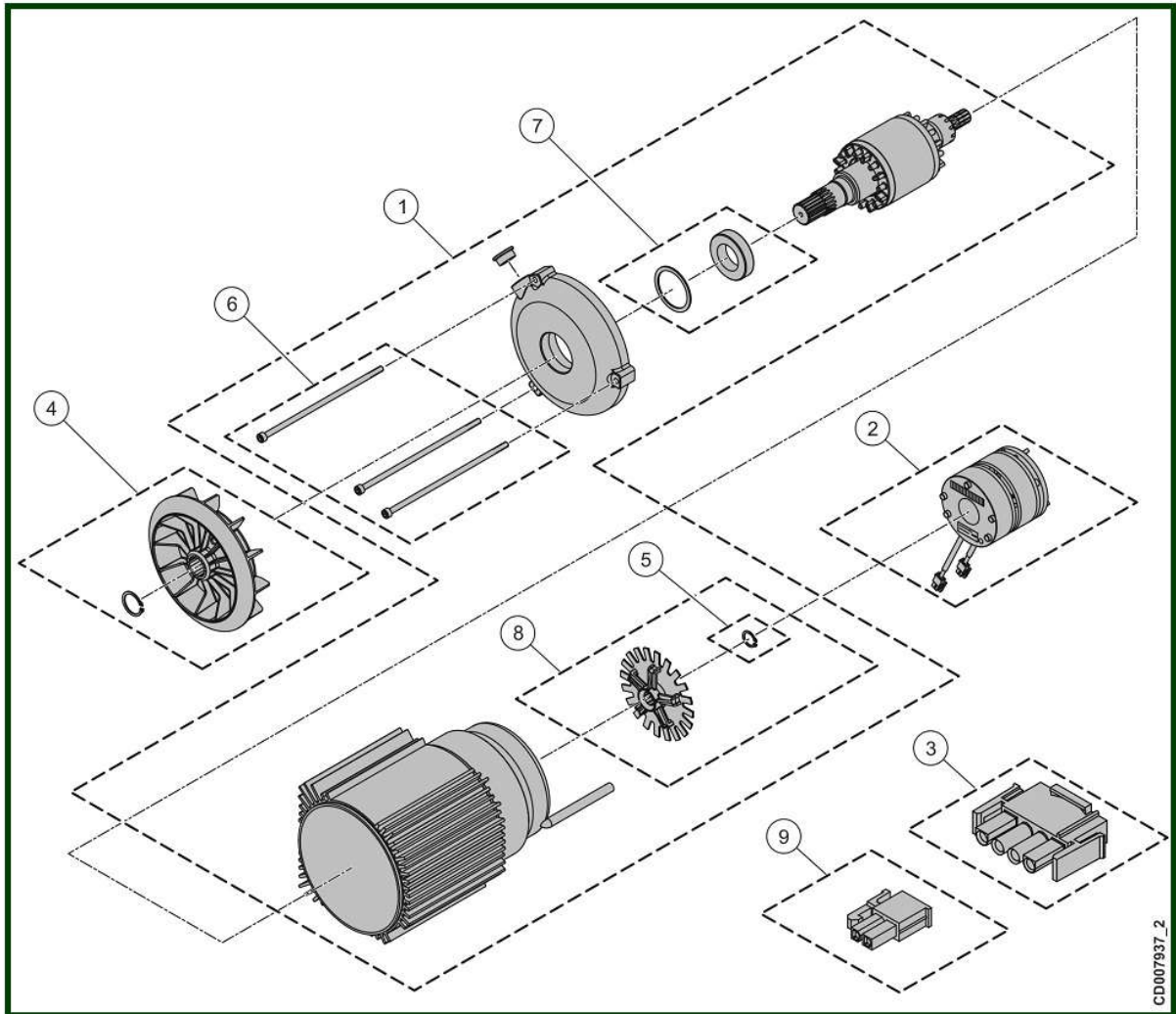


## 4.1) Single brake



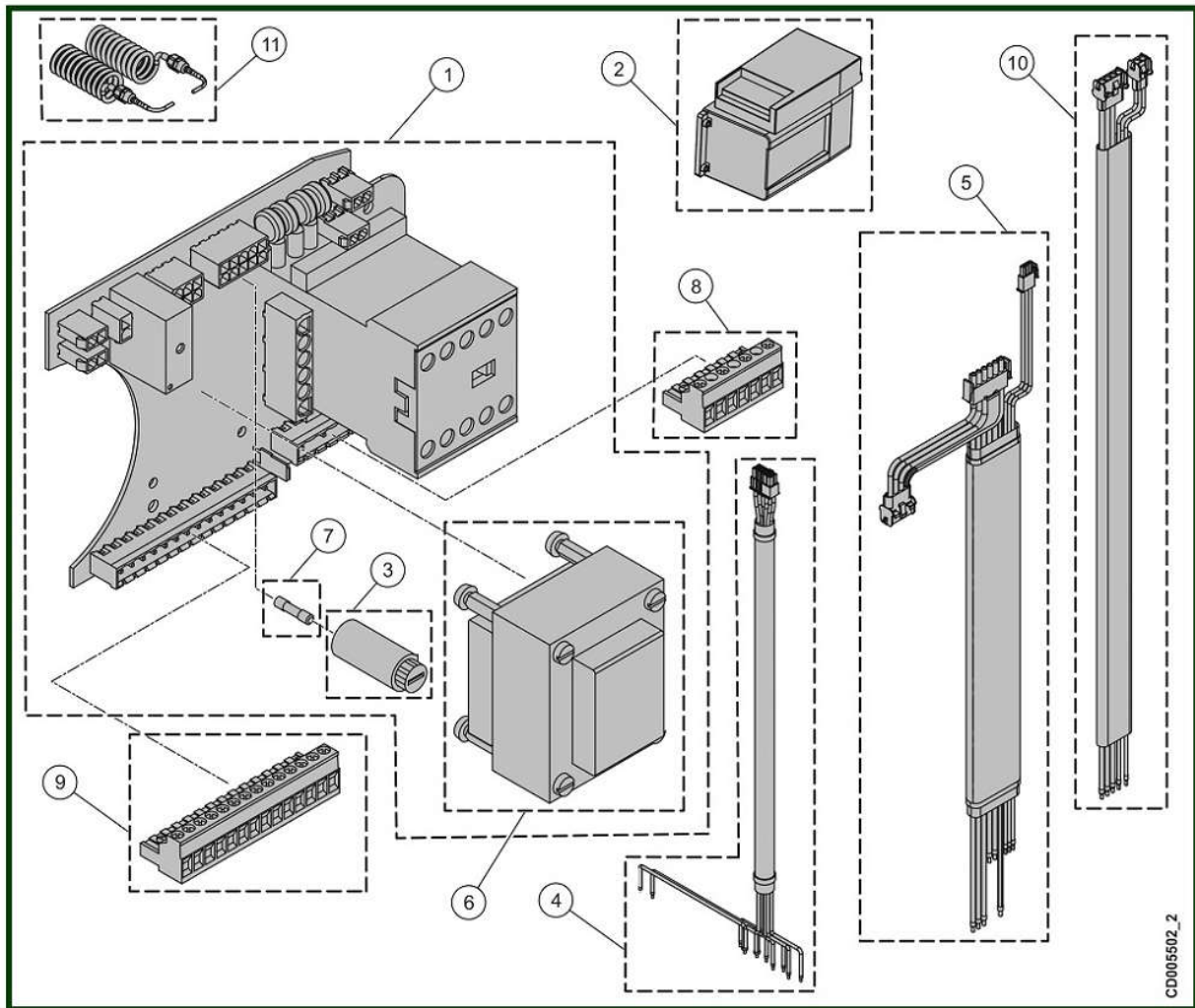
item	reference	description	observation	Quantity
1	<a href="#">VT0007760</a>	Motor - 1 speed	380-415V 50Hz / 440-480V 60Hz	1
2	<a href="#">VT0005620</a>	Single brake	190 V	1
3	<a href="#">VT0007298</a>	Female connector		1
4	<a href="#">VT0005915</a>	Fan set		1
5	<a href="#">VT0005916</a>	Retaining ring		1
6	<a href="#">VT0005917</a>	Screw set		1
7	<a href="#">VT0005912</a>	Bearing set		1
8	<a href="#">VT0007961</a>	Encoder disc + retaining ring		1
9	<a href="#">VT0007297</a>	Connector		1

## 4.2) Double brakes



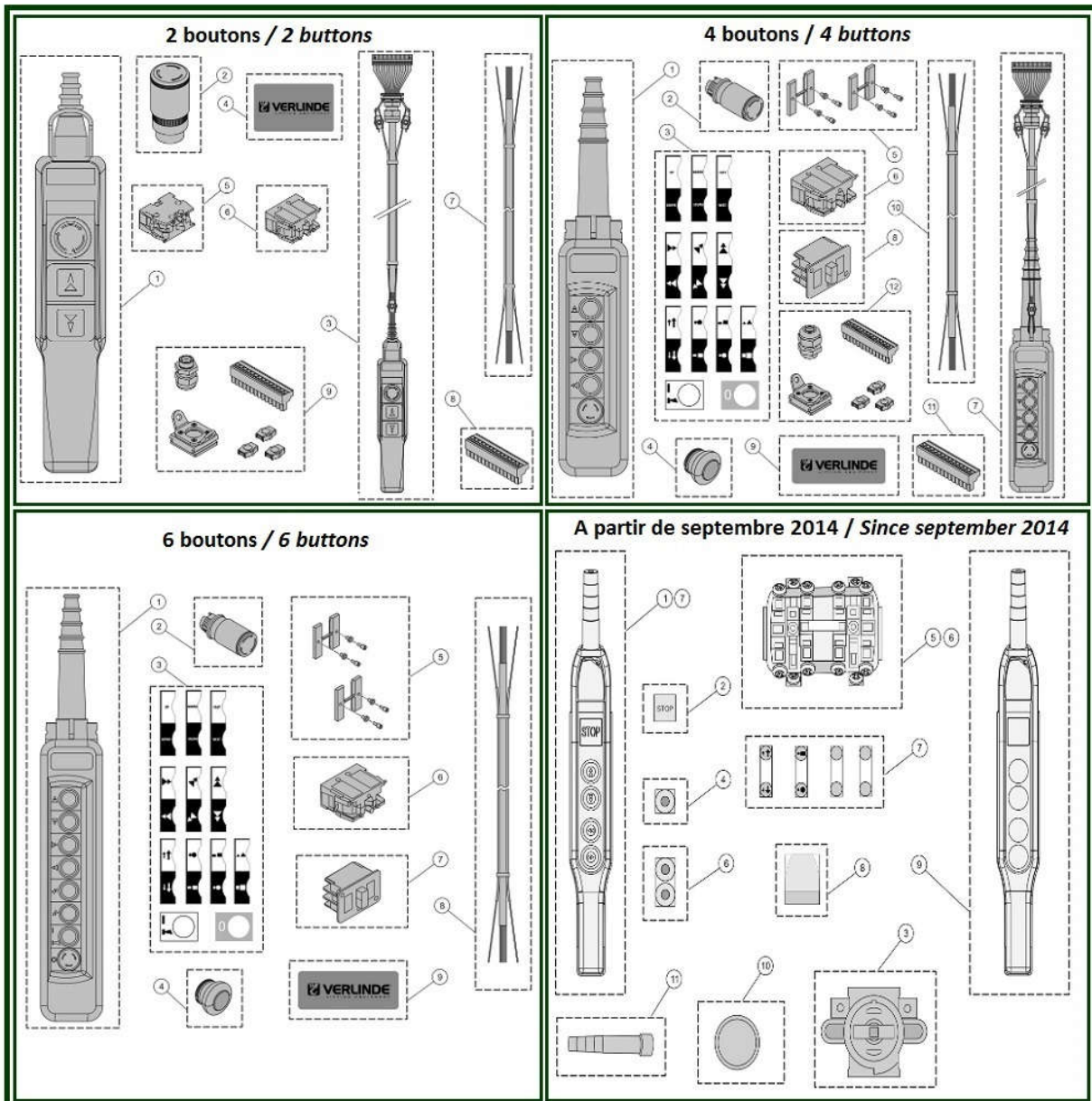
item	reference	description	observation	Quantity
1	<a href="#">VT0007760</a>	Motor - 1 speed	380-415V 50Hz / 440-480V 60Hz	1
2	<a href="#">VT0006551</a>	Double brakes	190 V	1
3	<a href="#">VT0007298</a>	Female connector		1
4	<a href="#">VT0005915</a>	Fan set		1
5	<a href="#">VT0005916</a>	Retaining ring		1
6	<a href="#">VT0005917</a>	Screw set		1
7	<a href="#">VT0005912</a>	Bearing set		1
8	<a href="#">VT0007961</a>	Encoder disc + retaining ring		1
9	<a href="#">VT0007297</a>	Connector		1

## 5) Electrical parts

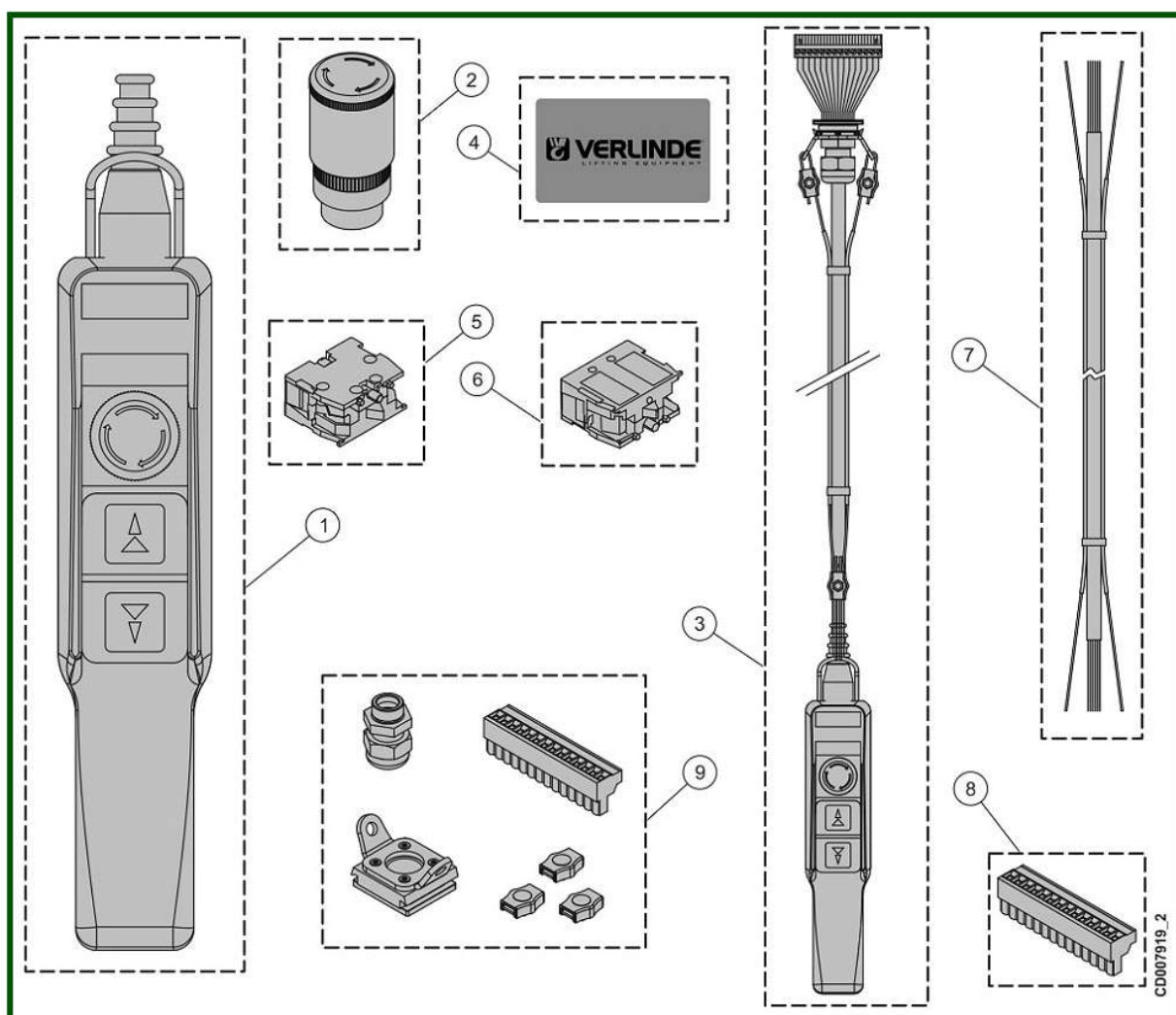


item	reference	description	observation	Quantity
1	<a href="#">VT0007269</a>	Electrical board	380V-415V / 48V - 50/60HZ	1
1	<a href="#">VT0007270</a>	Electrical board	380V-415V / 115V	1
1	<a href="#">VT0007273</a>	Electrical board	460V / 48V	1
1	<a href="#">VT0007274</a>	Electrical board	460V / 110V - 50/60Hz	1
2	<a href="#">VT0007275</a>	Inverter	380V-480V - 50/60Hz	1
3	<a href="#">VT0006191</a>	Fuse base		1
4	<a href="#">VT0007277</a>	Wire harness - Plug control voltage		1
5	<a href="#">VT0006757</a>	Wire harness - Plug power voltage		1
6	<a href="#">VT0004953</a>	Transformer	400V / 48V - 50/60Hz	1
6	<a href="#">VT0004951</a>	Transformer	400V / 115V - 50/60Hz	1
6	<a href="#">VT0006437</a>	Transformer	460V / 48V	1
6	<a href="#">VT0006440</a>	Transformer	460V / 110V 50/60Hz	1
7	<a href="#">VT0004915</a>	Set of 10 fuses	48V	1
7	<a href="#">VT0004955</a>	Set of 10 fuses	115V	1
8	<a href="#">VT0005107</a>	Connector	4P	1
9	<a href="#">VT0005108</a>	Connector	14P	1
10	<a href="#">VT0006758</a>	Linking cable	380-480V 50/60Hz	1
11	<a href="#">VT0007278</a>	Resistor	1200W	1

## 6) Push button controller

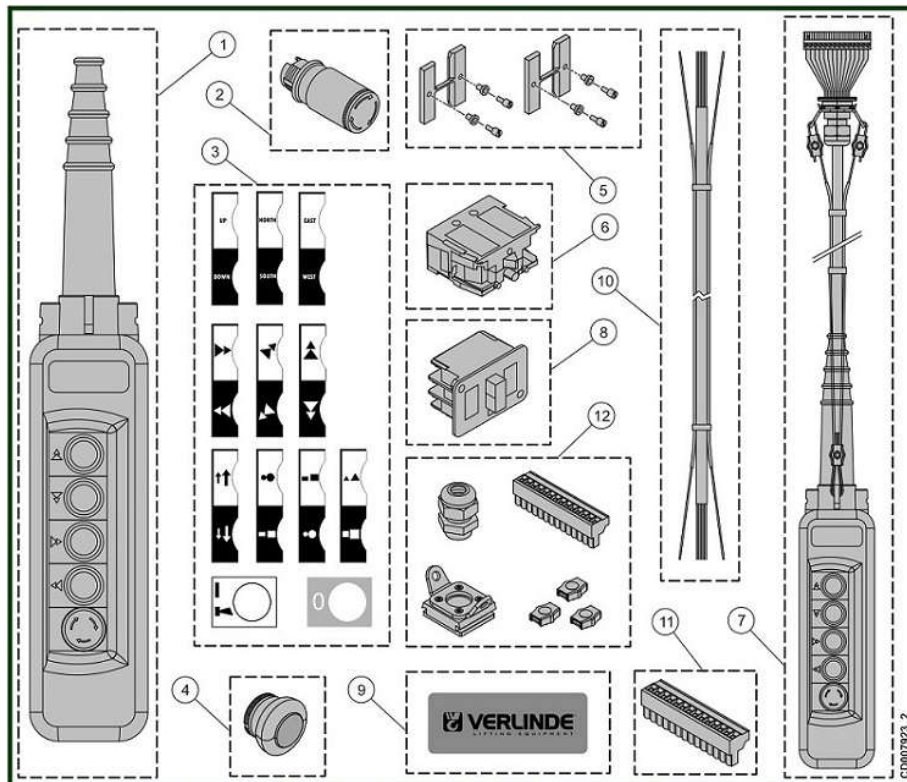


## 6.1) 2 buttons



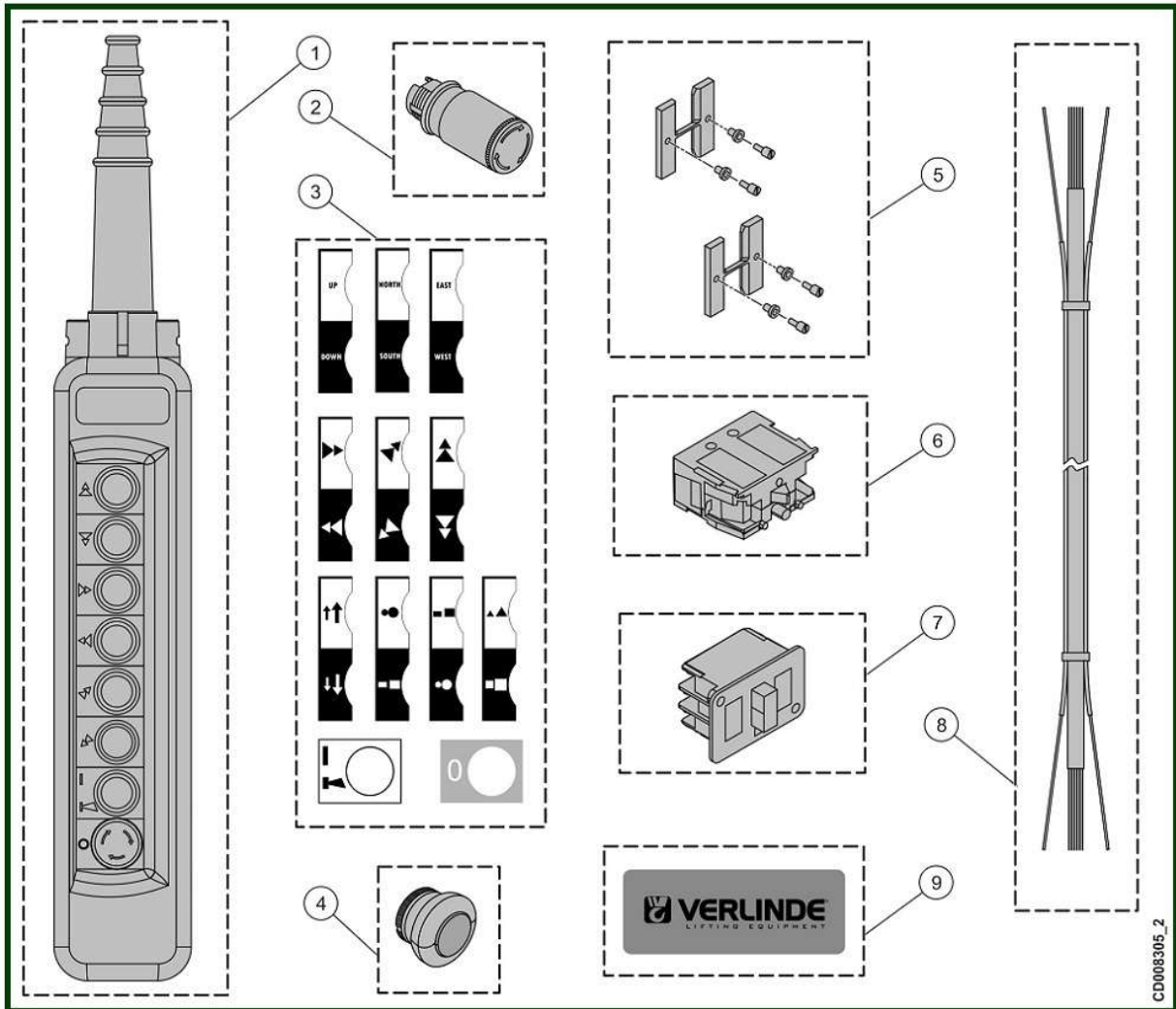
item	reference	description	observation	Quantity
1	<a href="#">VT0005061</a>	Pendant controller - 2HS+ES	Jaune / Yellow	1
2	<a href="#">VT0006547</a>	Emergency push button		1
3	<a href="#">VT0005612</a>	Pendant with cable - 2HS+ES	2,2 m - Jaune / Yellow - CE	1
3	<a href="#">VT0005613</a>	Pendant with cable - 2HS+ES	2,7 m - Jaune / Yellow - CE	1
3	<a href="#">VT0005614</a>	Pendant with cable - 2HS+ES	3,2 m - Jaune / Yellow - CE	1
3	<a href="#">VT0005615</a>	Pendant with cable - 2HS+ES	3,7 m - Jaune / Yellow - CE	1
3	<a href="#">VT0005616</a>	Pendant with cable - 2HS+ES	4,2 m - Jaune / Yellow - CE	1
3	<a href="#">VT0005617</a>	Pendant with cable - 2HS+ES	4,7 m - Jaune / Yellow - CE	1
3	<a href="#">VT0005618</a>	Pendant with cable - 2HS+ES	5,2 m - Jaune / Yellow - CE	1
3	<a href="#">VT0005619</a>	Pendant with cable - 2HS+ES	5,7 m - Jaune / Yellow - CE	1
4	<a href="#">VT0007837</a>	Branding sticker	VERLINDE	1
5	<a href="#">VT0005064</a>	Contact block	ZB2-BE101	1
6	<a href="#">VT0005066</a>	Contact block	ZB2-BE 102	1
7	<a href="#">VT0006746</a>	Cable	5x1,5 mm2 - CE	1
8	<a href="#">VT0005108</a>	Connector	14P	1
9	<a href="#">VT0007583</a>	Pendant plug set	ISO	1

## 6.2) 4 buttons



item	reference	description	observation	Quantity
1	<a href="#">VT0005055</a>	Pendant controller 2HS+2TS+ES	Jaune / Yellow	1
2	<a href="#">VT0006548</a>	Emergency push button		1
3	<a href="#">VT0007882</a>	Set of direction symbols		1
4	<a href="#">VT0005063</a>	Push button		1
5	<a href="#">VT0005072</a>	Mechanical interlock		2
6	<a href="#">VT0005066</a>	Contact block	ZB2-BE 102	1
7	<a href="#">VT0006060</a>	Pendant with cable 2HS+2TS+ES	4,7 m - Jaune / Yellow	1
7	<a href="#">VT0006055</a>	Pendant with cable 2HS+2TS+ES	2,2 m - Jaune / Yellow	1
7	<a href="#">VT0006061</a>	Pendant with cable 2HS+2TS+ES	5,2 m - Jaune / Yellow	1
7	<a href="#">VT0006056</a>	Pendant with cable 2HS+2TS+ES	2,7 m - Jaune / Yellow	1
7	<a href="#">VT0006059</a>	Pendant with cable 2HS+2TS+ES	4,2 m - Jaune / Yellow	1
7	<a href="#">VT0006062</a>	Pendant with cable 2HS+2TS+ES	5,7 m - Jaune / Yellow	1
7	<a href="#">VT0006057</a>	Pendant with cable 2HS+2TS+ES	3,2 m - Jaune / Yellow	1
7	<a href="#">VT0006058</a>	Pendant with cable 2HS+2TS+ES	3,7 m - Jaune / Yellow	1
8	<a href="#">VT0007879</a>	Contact block	XENG1191	1
9	<a href="#">VT0007880</a>	Sticker of brand	VERLINDE	1
10	<a href="#">VT0006747</a>	Cable - 8x1,5mm2	mètre / meter	1
11	<a href="#">VT0005108</a>	Connector	14P	1
12	<a href="#">VT0007583</a>	Pendant plug set	ISO	1

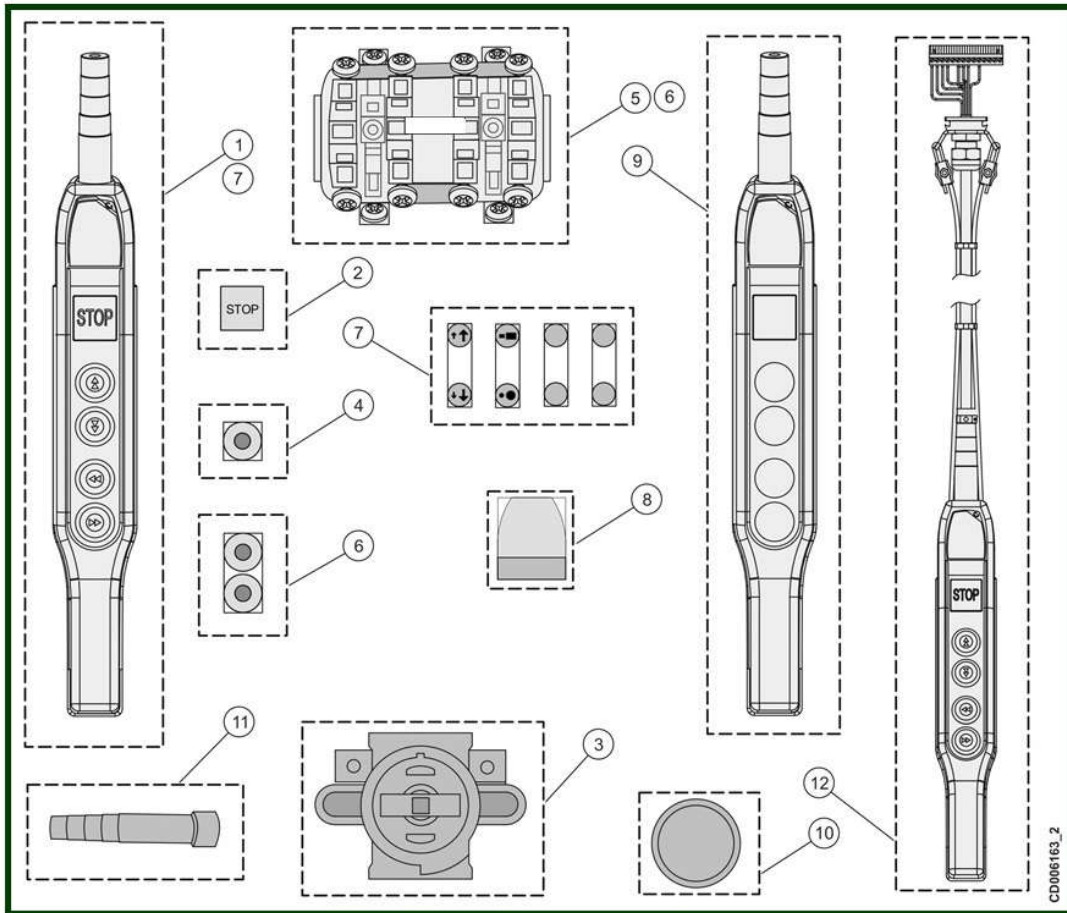
### 6.3) 6 buttons



item	reference	description	observation	Quantity
1	<a href="#">VT0005058</a>	Pendant controller 2HS+2TS+2LS+ON-OFF	Jaune / Yellow	1
2	<a href="#">VT0006548</a>	Emergency push button		1
3	<a href="#">VT0007882</a>	Set of direction symbols		1
4	<a href="#">VT0005063</a>	Push button		1
5	<a href="#">VT0005072</a>	Mechanical interlock		2
6	<a href="#">VT0005066</a>	Contact block	ZB2-BE 102	1
7	<a href="#">VT0007879</a>	Contact block	XENG1191	1
8	<a href="#">VT0008073</a>	Cable	16x1.52mm <sup>2</sup> - mètre/metter	1
8	<a href="#">VT0008074</a>	Cable	20x1.5mm <sup>2</sup> - mètre/metter	1
9	<a href="#">VT0007880</a>	Sticker of brand	VERLINDE	1
-	<a href="#">VT0005108</a>	Connector	14P	1



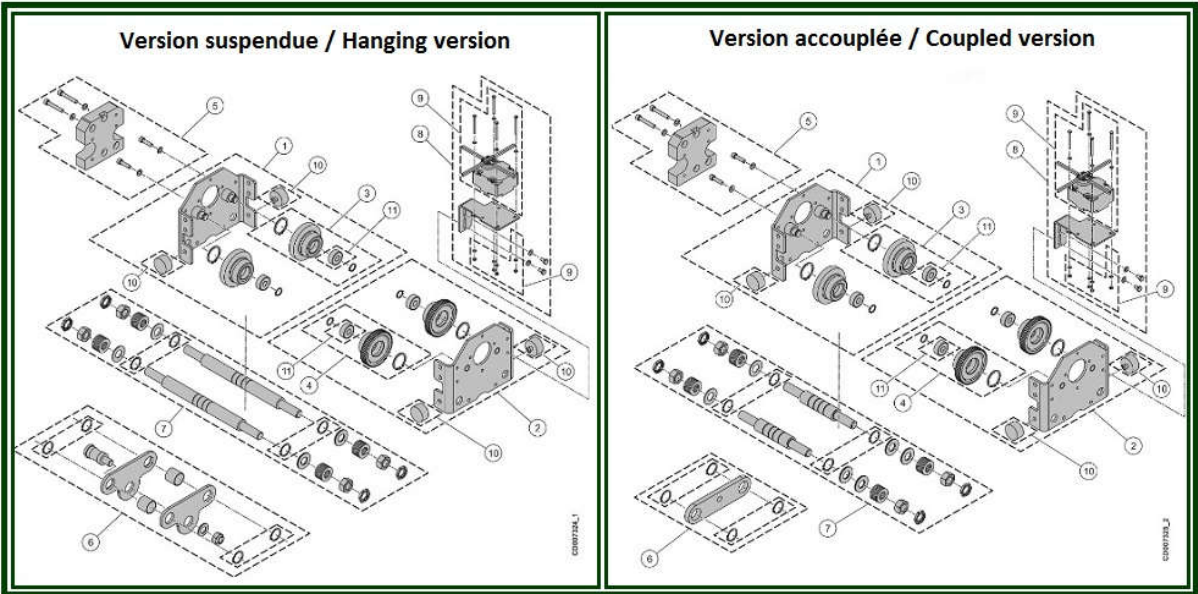
## 6.4) Push button controller - From september 2014



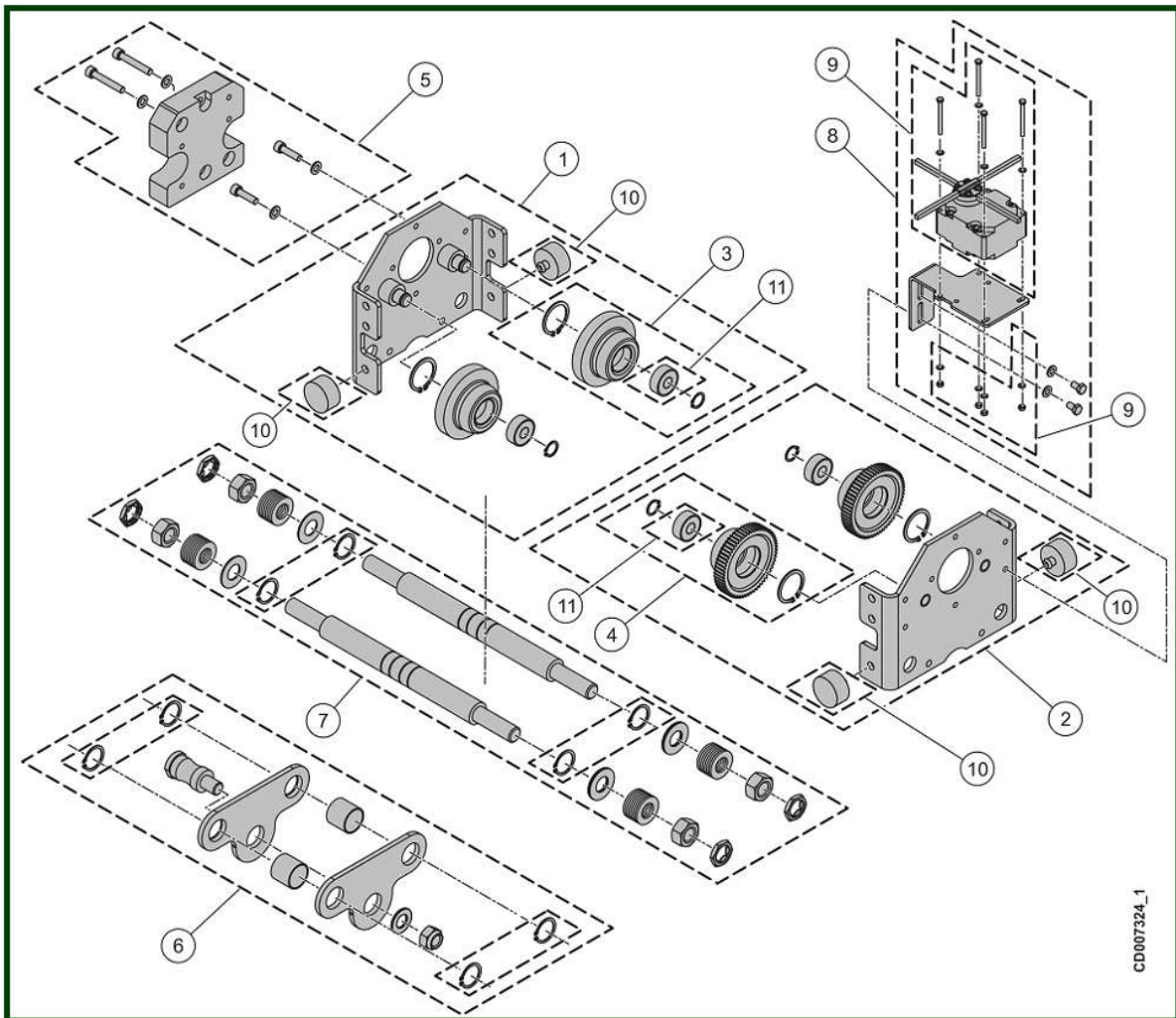
item	reference	description	observation	Quantity
1	VT0006495	Push buttons box - 2 HS+2TS+ES	Jaune - 4 boutons / Yellow - 4 buttons	1
1	VT0006493	Push buttons box - 2 HS+ES	Jaune - 2 boutons / Yellow - 2 buttons	1
2	VT0006509	Emergency push button		1
3	VT0006510	Emergency stop contact block		1
4	VT0006511	Rubber push button		1
5	VT0006513	Contact block	2 vitesses / 2 steps	1
6	VT0006514	Set of 2 push buttons + contact block		1
7	VT0006754	Stickers - Direction symbols	ANSI	1
7	VT0006752	Stickers - Direction symbols	DIN	1
7	VT0006753	Stickers - Direction symbols	FIN-SEN	1
8	VT0006496	Stickers - Brand	VERLINDE	1
9	VT0006515	Pendant housing	Jaune - 2 boutons / Yellow - 2 buttons	1
9	VT0006518	Pendant housing	Jaune - 4 boutons / Yellow - 4 buttons	1
10	VT0006517	Magnet		1
10	VT0006516	Rubber part		1
11	VT0007032	Cable bushing		1
12	VT0006958	Push buttons box + cable + plug - 2 HS+ES	2,20 m - Jaune/yellow - DIN	1
12	VT0006951	Push buttons box + cable + plug - 2 HS+ES	2,70 m - Jaune/yellow - DIN	1
12	VT0006952	Push buttons box + cable + plug - 2 HS+ES	3,20 m - Jaune/yellow - DIN	1
12	VT0006953	Push buttons box + cable + plug - 2 HS+ES	3,70 m - Jaune/yellow - DIN	1
12	VT0006954	Push buttons box + cable + plug - 2 HS+ES	4,20 m - Jaune/yellow - DIN	1
12	VT0006955	Push buttons box + cable + plug - 2 HS+ES	4,70 m - Jaune/yellow - DIN	1
12	VT0006956	Push buttons box + cable + plug - 2 HS+ES	5,20 m - Jaune/yellow - DIN	1
12	VT0006957	Push buttons box + cable + plug - 2 HS+ES	5,70 m - Jaune/yellow - DIN	1
13	VT0006959	Push buttons box + cable + plug - 2 HS+2TS+ES	2,20 m - Jaune/yellow - DIN	1
13	VT0006966	Push buttons box + cable + plug - 2 HS+2TS+ES	2,70 m - Jaune/yellow - DIN	1

13	<u>VT0006960</u>	Push buttons box + cable + plug - 2 HS+2TS+ES	3,20 m - Jaune/yellow - DIN	1
13	<u>VT0006961</u>	Push buttons box + cable + plug - 2 HS+2TS+ES	3,70 m - Jaune/yellow - DIN	1
13	<u>VT0006962</u>	Push buttons box + cable + plug - 2 HS+2TS+ES	4,20 m - Jaune/yellow - DIN	1
13	<u>VT0006963</u>	Push buttons box + cable + plug - 2 HS+2TS+ES	4,70 m - Jaune/yellow - DIN	1
13	<u>VT0006964</u>	Push buttons box + cable + plug - 2 HS+2TS+ES	5,20 m - Jaune/yellow - DIN	1
13	<u>VT0006965</u>	Push buttons box + cable + plug - 2 HS+2TS+ES	5,70 m - Jaune/yellow - DIN	1

# 7) Normal Headroom Trolley



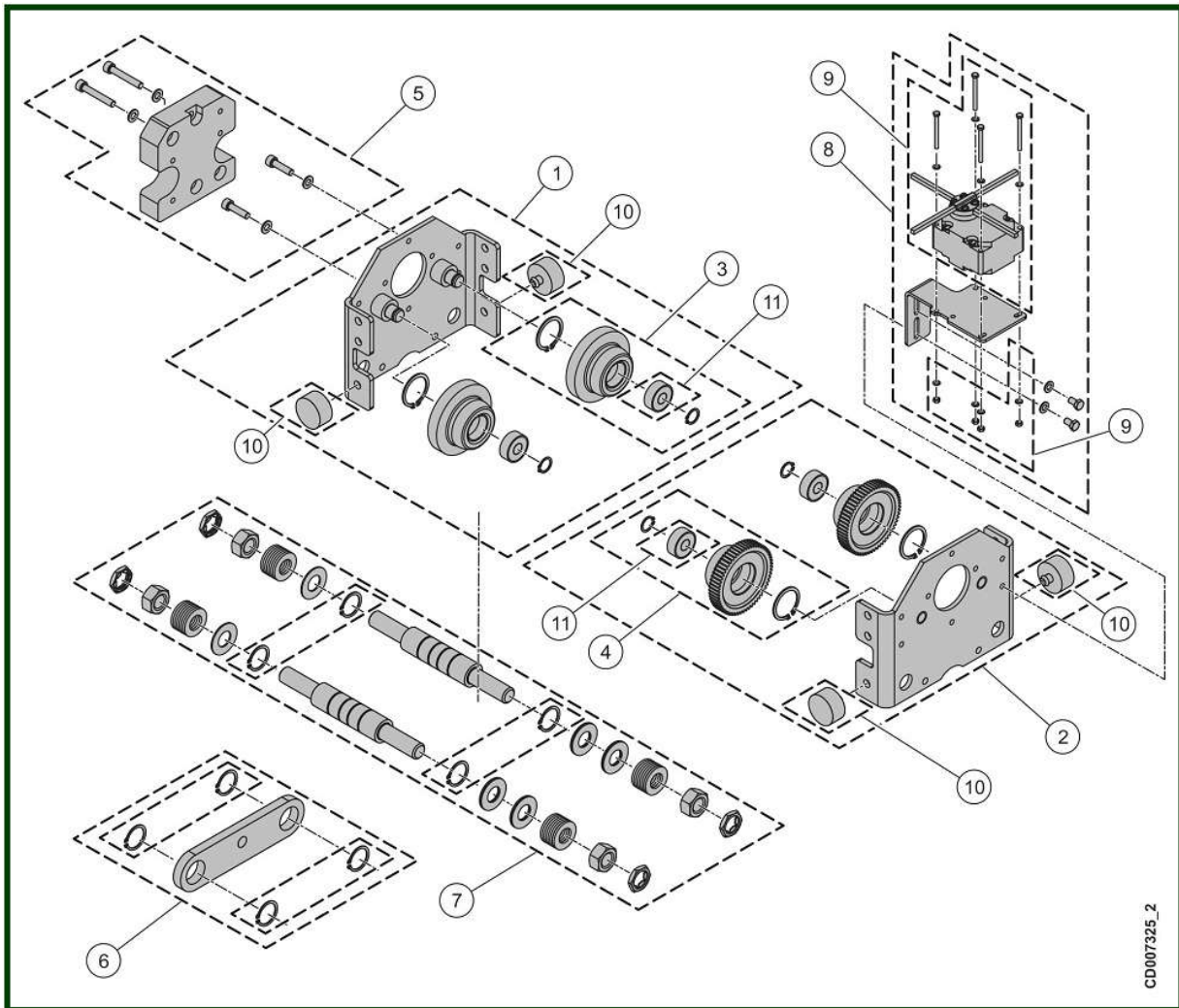
## 7.1) C1 trolley - 0 to 1000 kg - Hanging version



CD007324\_1

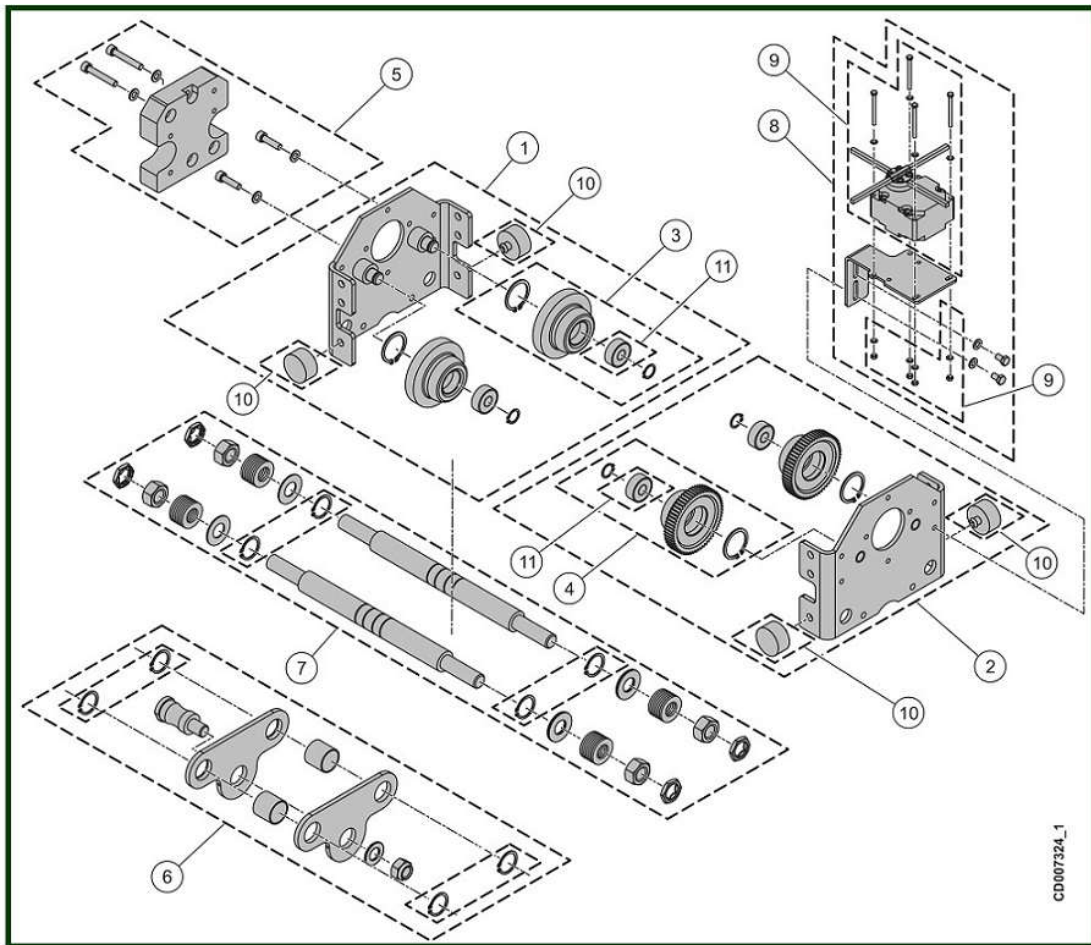
item	reference	description	observation	Quantity
1	<a href="#">VT0007051</a>	Idler side plate assembly		1
2	<a href="#">VT0007066</a>	Drive side plate assembly		1
3	<a href="#">VT0007061</a>	Complete set of travel wheel without shaft		1
4	<a href="#">VT0007063</a>	Set driving wheel without shaft	Ø 62 - 93 mm	1
5	<a href="#">VT0007062</a>	Set of counterweight		1
6	<a href="#">VT0007064</a>	Coupling part	Version suspendue / Hanging version	1
7	<a href="#">VT0007026</a>	Tie rod set beam - 55 to 100 mm	Tirant monobloc depuis 1999 / Monobloc tie road since 1999 Hook and coupling suspension	1
7	<a href="#">VT0007027</a>	Tie rod set beam - 106 to 150 mm	Tirant monobloc depuis 1999 / Monobloc tie road since 1999 Hook and coupling suspension	1
7	<a href="#">VT0007028</a>	Tie rod set beam - 155 to 200 mm	Tirant monobloc depuis 1999 / Monobloc tie road since 1999 Hook and coupling suspension	1
7	<a href="#">VT0007029</a>	Tie rod set beam - 206 to 248 mm	Tirant monobloc depuis 1999 / Monobloc tie road since 1999 Hook and coupling suspension	1
7	<a href="#">VT0007030</a>	Tie rod set beam - 260 to 307 mm	Tirant monobloc depuis 1999 / Monobloc tie road since 1999 Hook and coupling suspension	1
7	<a href="#">VT0007031</a>	Tie rod set beam - 308 to 310 mm	Tirant monobloc depuis 1999 / Monobloc tie road since 1999 Hook and coupling suspension	1
8	<a href="#">VT0007098</a>	Limit switch - 1 step		1
8	<a href="#">VT0008775</a>	Limit switch - 2 steps		1
9	<a href="#">VT0008776</a>	Travelling limit switch assembly - 1 step		1
9	<a href="#">VT0008777</a>	Travelling limit switch assembly - 2 steps		1
10	<a href="#">VT0009357</a>	Buffer	D40x20 - For C1 to C5 trolley	1
11	<a href="#">VT0007091</a>	Ball Bearing		1

## 7.2) C1 trolley - 0 to 1000 kg - Coupled version



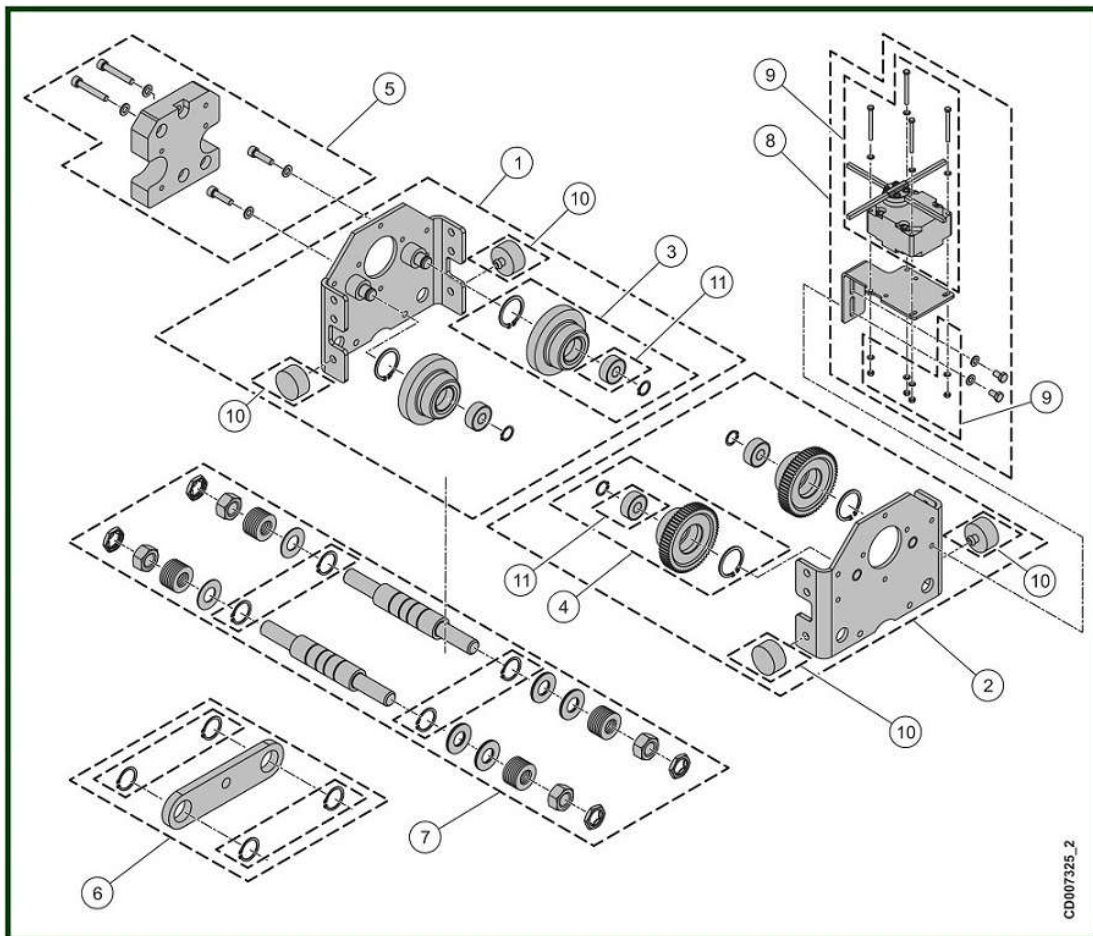
item	reference	description	observation	Quantity
1	<a href="#">VT0007051</a>	Idler side plate assembly		1
2	<a href="#">VT0007066</a>	Drive side plate assembly		1
3	<a href="#">VT0007061</a>	Complete set of travel wheel without shaft		1
4	<a href="#">VT0007063</a>	Set driving wheel without shaft	Ø 62 - 93 mm	1
5	<a href="#">VT0007062</a>	Set of counterweight		1
6	<a href="#">VT0007065</a>	Cross bar	Version accouplée / Coupled version	1
7	<a href="#">VT0007026</a>	Tie rod set beam - 55 to 100 mm	Tirant monobloc depuis 1999 / Monobloc tie road since 1999 Hook and coupling suspension	1
7	<a href="#">VT0007027</a>	Tie rod set beam - 106 to 150 mm	Tirant monobloc depuis 1999 / Monobloc tie road since 1999 Hook and coupling suspension	1
7	<a href="#">VT0007028</a>	Tie rod set beam - 155 to 200 mm	Tirant monobloc depuis 1999 / Monobloc tie road since 1999 Hook and coupling suspension	1
7	<a href="#">VT0007029</a>	Tie rod set beam - 206 to 248 mm	Tirant monobloc depuis 1999 / Monobloc tie road since 1999 Hook and coupling suspension	1
7	<a href="#">VT0007030</a>	Tie rod set beam - 260 to 307 mm	Tirant monobloc depuis 1999 / Monobloc tie road since 1999 Hook and coupling suspension	1
7	<a href="#">VT0007031</a>	Tie rod set beam - 308 to 310 mm	Tirant monobloc depuis 1999 / Monobloc tie road since 1999 Hook and coupling suspension	1
8	<a href="#">VT0007098</a>	Limit switch - 1 step		1
8	<a href="#">VT0008775</a>	Limit switch - 2 steps		1
9	<a href="#">VT0008776</a>	Travelling limit switch assembly - 1 step		1
9	<a href="#">VT0008777</a>	Travelling limit switch assembly - 2 steps		1
10	<a href="#">VT0009357</a>	Buffer	D40x20 - For C1 to C5 trolley	1
11	<a href="#">VT0007091</a>	Ball Bearing		1

### 7.3) C2 trolley - 1001 to 2000 kg - Hanging version



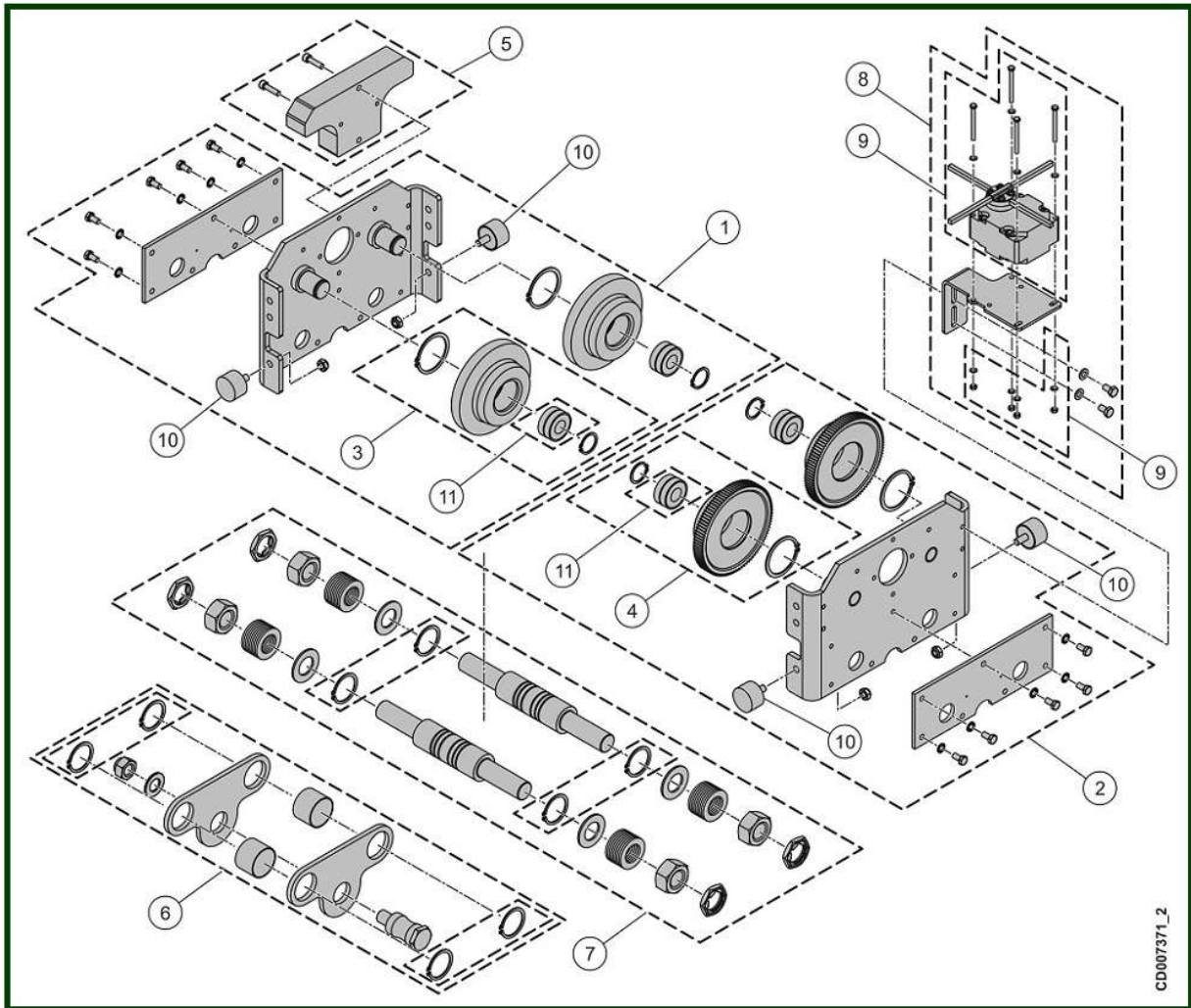
item	reference	description	observation	Quantity
1	<a href="#">VT0007067</a>	Idler side plate assembly	C2	1
2	<a href="#">VT0007068</a>	Drive side plate assembly	C2	1
3	<a href="#">VT0007069</a>	Set of idler wheel without shaft	C2 - Ø 80x120 mm	1
4	<a href="#">VT0008778</a>	Set of driving wheel without shaft	C2 - Ø 80x120 mm	1
5	<a href="#">VT0008780</a>	Set of Sounterweight	C2	1
6	<a href="#">VT0008779</a>	Coupling part	C2 - Version suspendue / Hanging version	1
7	<a href="#">VT0007036</a>	Tie rod set beam - 64 to 126 mm	C2 -Tirant monobloc depuis 1999 Monobloc tie road since 1999 - Hook and Coupling suspension	1
7	<a href="#">VT0007037</a>	Tie rod set beam - 131 to 190 mm	C2 -Tirant monobloc depuis 1999 Monobloc tie road since 1999 - Hook and Coupling suspension	1
7	<a href="#">VT0007038</a>	Tie rod set beam - 198 to 248 mm	C2 -Tirant monobloc depuis 1999 Monobloc tie road since 1999 - Hook and Coupling suspension	1
7	<a href="#">VT0007039</a>	Tie rod set beam - 260 to 310 mm	C2 -Tirant monobloc depuis 1999 Monobloc tie road since 1999 - Hook and Coupling suspension	1
8	<a href="#">VT0007098</a>	Limit switch - 1 step		1
8	<a href="#">VT0008775</a>	Limit switch - 2 steps		1
9	<a href="#">VT0008776</a>	Travelling limit switch assembly - 1 step		1
9	<a href="#">VT0008777</a>	Travelling limit switch assembly - 2 steps		1
10	<a href="#">VT0007088</a>	Buffer	40X20 M10	1
11	<a href="#">VT0008781</a>	Ball Bearing	C2	1

## 7.4) C2 trolley - 1001 to 2000 kg - Coupled version



item	reference	description	observation	Quantity
1	<a href="#">VT0007067</a>	Idler side plate assembly	C2	1
2	<a href="#">VT0007068</a>	Drive side plate assembly	C2	1
3	<a href="#">VT0007069</a>	Set of idler wheel without shaft	C2 - Ø 80x120 mm	1
4	<a href="#">VT0008778</a>	Set of driving wheel without shaft	C2 - Ø 80x120 mm	1
5	<a href="#">VT0008780</a>	Set of Sounterweight	C2	1
6	<a href="#">VT0007085</a>	Cross bar	Version accouplée / Coupled version	1
7	<a href="#">VT0007036</a>	Tie rod set beam - 64 to 126 mm	C2 -Tirant monobloc depuis 1999 Monobloc tie road since 1999 - Hook and Coupling suspension	1
7	<a href="#">VT0007037</a>	Tie rod set beam - 131 to 190 mm	C2 -Tirant monobloc depuis 1999 Monobloc tie road since 1999 - Hook and Coupling suspension	1
7	<a href="#">VT0007038</a>	Tie rod set beam - 198 to 248 mm	C2 -Tirant monobloc depuis 1999 Monobloc tie road since 1999 - Hook and Coupling suspension	1
7	<a href="#">VT0007039</a>	Tie rod set beam - 260 to 310 mm	C2 -Tirant monobloc depuis 1999 Monobloc tie road since 1999 - Hook and Coupling suspension	1
8	<a href="#">VT0007098</a>	Limit switch - 1 step		1
8	<a href="#">VT0008775</a>	Limit switch - 2 steps		1
9	<a href="#">VT0008776</a>	Travelling limit switch assembly - 1 step		1
9	<a href="#">VT0008777</a>	Travelling limit switch assembly - 2 steps		1
10	<a href="#">VT0007088</a>	Buffer	40X20 M10	1
11	<a href="#">VT0008781</a>	Ball Bearing	C2	1

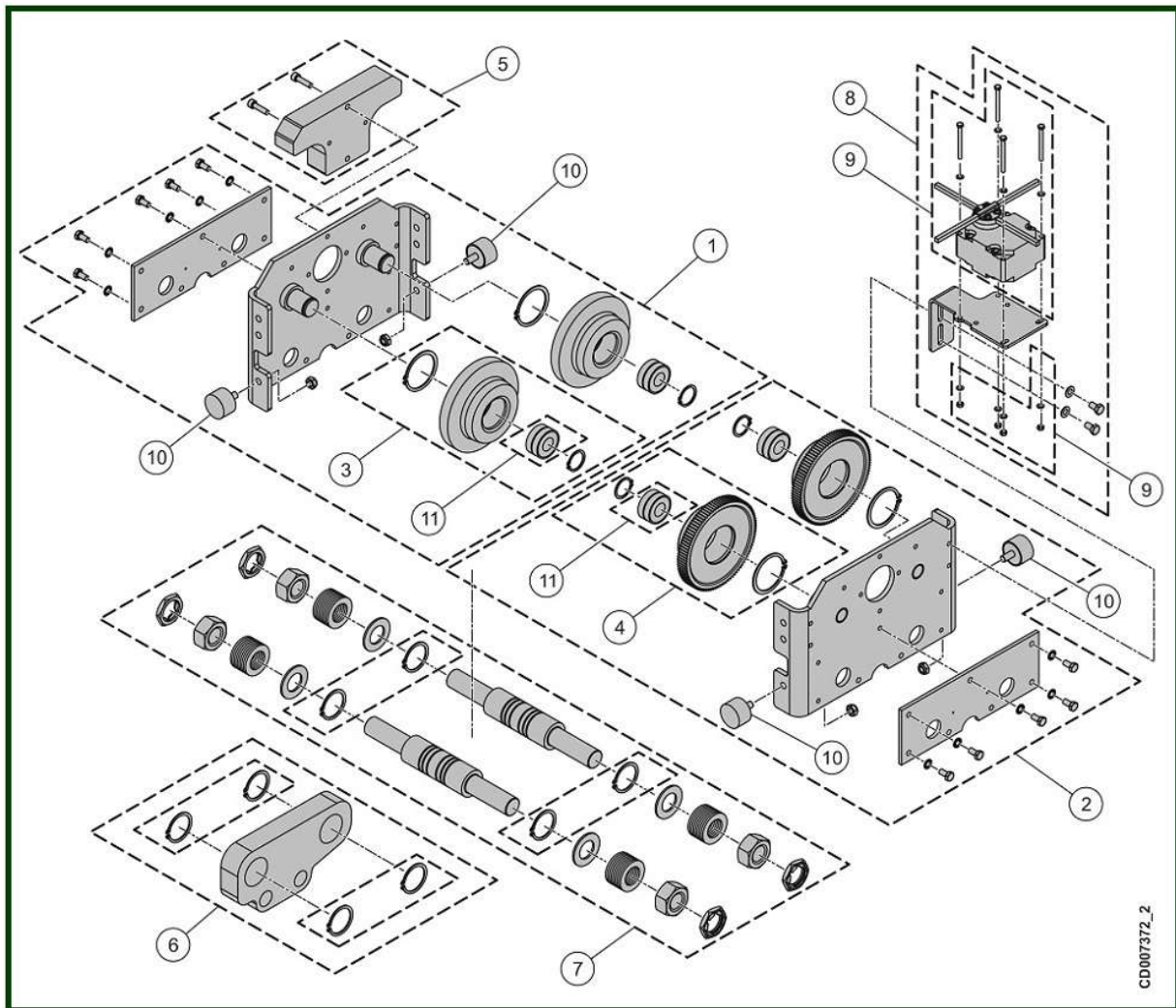
## 7.5) C3 trolley - 2001 to 3200 kg - Hanging version



item	reference	description	observation	Quantity
1	<a href="#">VT0007092</a>	Idler side plate assembly	C3	1
2	<a href="#">VT0007093</a>	Drive side plate assembly	C3	1
3	<a href="#">VT0008782</a>	Travel wheel idler without shaft	C3	1
4	<a href="#">VT0008783</a>	Driving wheel without shaft	C3	1
5	<a href="#">VT0008837</a>	Set of counterweight	C3	1
6	<a href="#">VT0007094</a>	Joint part	Version suspendue/ Hook suspension	1
7	<a href="#">VT0007040</a>	Tie rod set beam - 82 to 137 mm	C3 - Tirant monobloc depuis 1999 / Monobloc tie road since 1999	1
7	<a href="#">VT0007041</a>	Tie rod set beam - 140 to 190 mm	C3 - Tirant monobloc depuis 1999 / Monobloc tie road since 1999	1
7	<a href="#">VT0007042</a>	Tie rod set beam - 198 to 248 mm	C3 - Tirant monobloc depuis 1999 / Monobloc tie road since 1999	1
7	<a href="#">VT0007043</a>	Tie rod set beam - 260 to 310 mm	C3 - Tirant monobloc depuis 1999 / Monobloc tie road since 1999	1
7	<a href="#">VT0008785</a>	Tie rod set beam - 311 to 350 mm	C3 - Tirant monobloc depuis 1999 / Monobloc tie road since 1999	1
8	<a href="#">VT0007098</a>	Limit switch - 1 step		1
8	<a href="#">VT0008775</a>	Limit switch - 2 steps		1
9	<a href="#">VT0008776</a>	Travelling limit switch assembly - 1 step		1
9	<a href="#">VT0008777</a>	Travelling limit switch assembly - 2 steps		1
10	<a href="#">VT0007088</a>	Buffer	40X20 M10	1
11	<a href="#">VT0008786</a>	Ball bearing	C3	1



## 7.6) C3 trolley - 2001 to 3200 kg - Coupled version



item	reference	description	observation	Quantity
1	VT0007092	Idler side plate assembly	C3	1
2	VT0007093	Drive side plate assembly	C3	1
3	VT0008782	Travel wheel idler without shaft	C3	1
4	VT0008783	Driving wheel without shaft	C3	1
5	VT0008837	Set of counterweight	C3	1
6	VT0007714	Cross bar	C3 Version accouplée / Fork suspension	1
7	VT0007040	Tie rod set beam - 82 to 137 mm	C3 - Tirant monobloc depuis 1999 / Monobloc tie road since 1999	1
7	VT0007041	Tie rod set beam - 140 to 190 mm	C3 - Tirant monobloc depuis 1999 / Monobloc tie road since 1999	1
7	VT0007042	Tie rod set beam - 198 to 248 mm	C3 - Tirant monobloc depuis 1999 / Monobloc tie road since 1999	1
7	VT0007043	Tie rod set beam - 260 to 310 mm	C3 - Tirant monobloc depuis 1999 / Monobloc tie road since 1999	1
7	VT0008785	Tie rod set beam - 311 to 350 mm	C3 - Tirant monobloc depuis 1999 / Monobloc tie road since 1999	1
8	VT0007098	Limit switch - 1 step		1
8	VT0008775	Limit switch - 2 steps		1
9	VT0008776	Travelling limit switch assembly - 1 step		1
9	VT0008777	Travelling limit switch assembly - 2 steps		1
10	VT0007088	Buffer	40X20 M10	1
11	VT0008786	Ball bearing	C3	1