

Spare parts catalog for "VR16"

To avoid errors, when ordering please specify:

Complete type of hoist

Date of manufacture and serial number

Spare part code

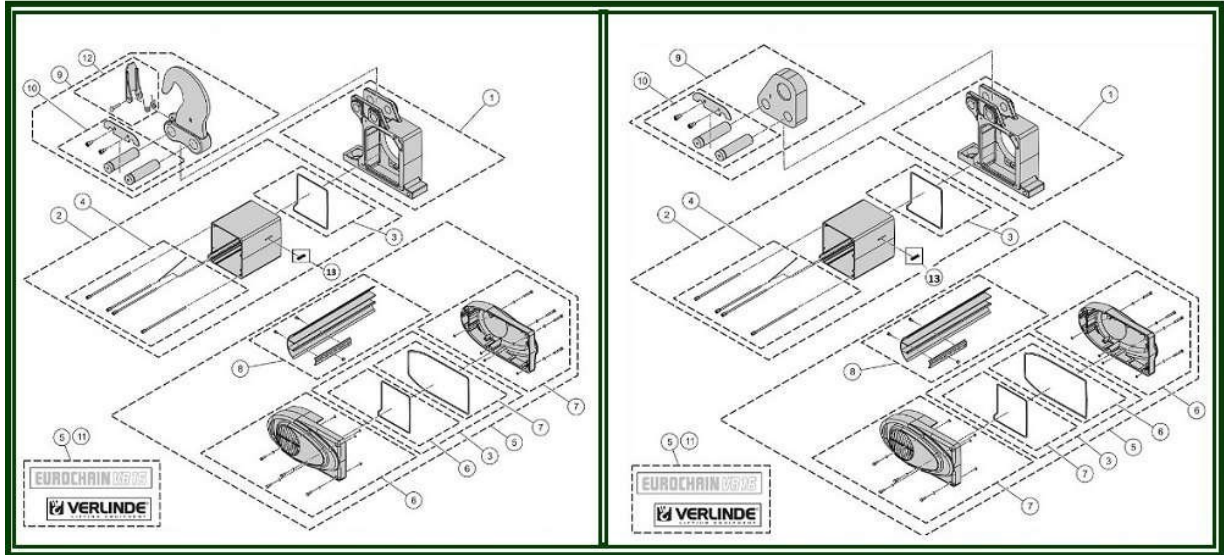
Spare part designation

Additional information

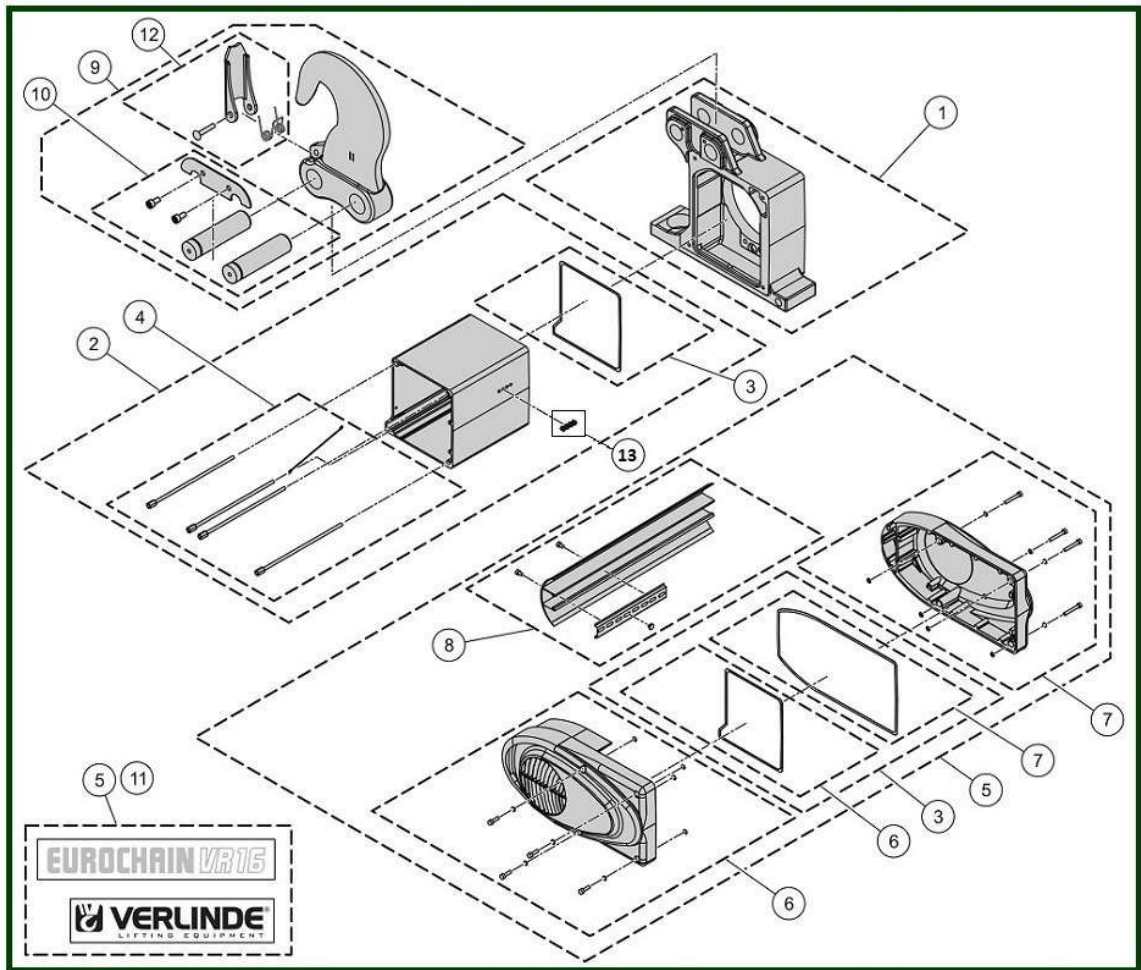


1.	FRAME.....	3
1.1.	Suspension hook	4
1.2.	Suspension eye.....	6
2.	GUIDE-CHAINE 9X27.....	8
2.1.	Chain guide - 1 fall – Standard limit switch.....	9
2.2.	Chain guide - 1 fall - Gear limit switch.....	11
2.3.	Chain guide - 2 falls - Standard limit switch	13
2.4.	Chain guide - 2 falls - Gear limit switch.....	15
3.	GEAR	17
3.1.	Single brake	18
3.2.	Double brakes	20
4.	MOTOR - Single brake & Double brakes	22
5.	ELECTRICAL PARTS.....	24
5.1.	Solo equipment – Standard.....	25
5.2.	Equipment for crane kit	29
6.	PUSH BUTTON CONTROLLER.....	32
6.1.	2 buttons	33
6.2.	4 buttons	35
6.3.	6 buttons	37
6.4.	2 and 4 buttons ERGOMOVE - From September 2014.....	39
6.5.	6 buttons ERGOMOVE – From September 2014.....	42
6.6.	10 buttons ERGOMOVE – From September 2014.....	44
6.7.	10 buttons ERGOMOVE – Option pendant label.....	46
7.	NORMAL HEADROOM TROLLEY	48
7.1.	C3 trolley - 2001 to 3200 kg - Hanging version	49
7.2.	C3 trolley - 2001 to 3200 kg - Coupled version	51
7.3.	Inverter TMU motor	53
7.4.	Two speeds TMU motor	54
7.5.	Chain travel	56
7.6.	Right angle motor.....	57

1. FRAME



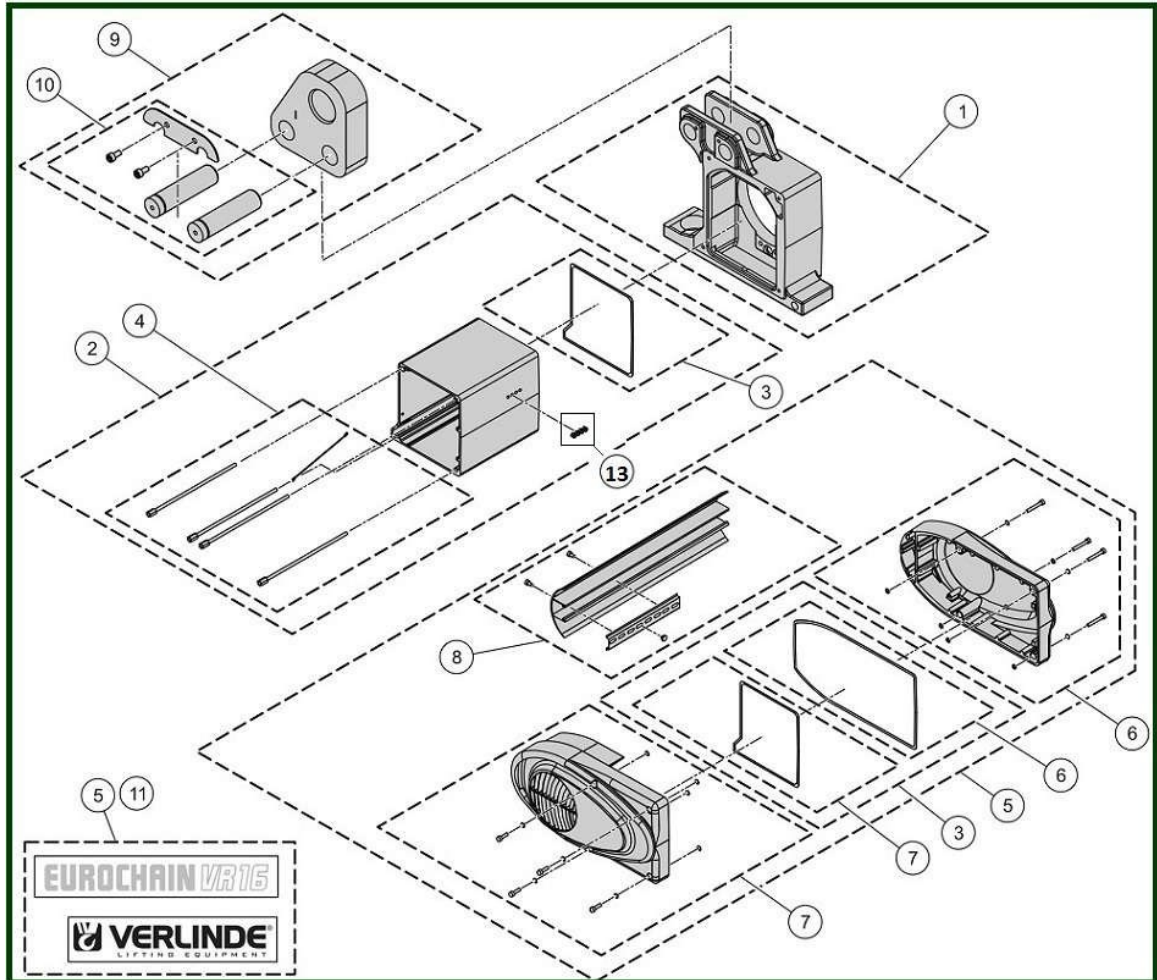
1.1. Suspension hook



Suspension hook

Item	Reference	Description	Observation	Quantity
1	<u>VT0006668</u>	Flange housing		1
2	<u>VT0006670</u>	Electrical housing		1
3	<u>VT0006672</u>	Sealings set		1
4	<u>VT0006673</u>	Screw set - M6L215		1
5	<u>VT0008049</u>	Cover	Double brakes	1
5	<u>VT0006669</u>	Electrical housing	Single brake	1
6	<u>VT0006674</u>	Cover set - Motor side		1
7	<u>VT0006675</u>	Cover set - Brake side		1
8	<u>VT0006676</u>	Cover set - Front cover		1
9	<u>VT0006583</u>	Suspension hook		1
10	<u>VT0006584</u>	Fixing set		1
11	<u>VT0006677</u>	Stickers set - Brand		1
12	<u>VT0005902</u>	Safety latch		1
13	<u>VT0006090</u>	Set of 4 plugs	OPTION : Gear limit switch	1
14	<u>VT0006050</u>	Set of 10 load plates	1000 Kg	1
14	<u>VT0006051</u>	Set of 10 load plates	1250 Kg	1
14	<u>VT0006052</u>	Set of 10 load plates	1600 Kg	1
14	<u>VT0006053</u>	Set of 10 load plates	2000 Kg	1
14	<u>VT0006054</u>	Set of 10 load plates	2500 Kg	1
14	<u>VT0007817</u>	Set of 10 load plates	3200 Kg	1

1.2. Suspension eye

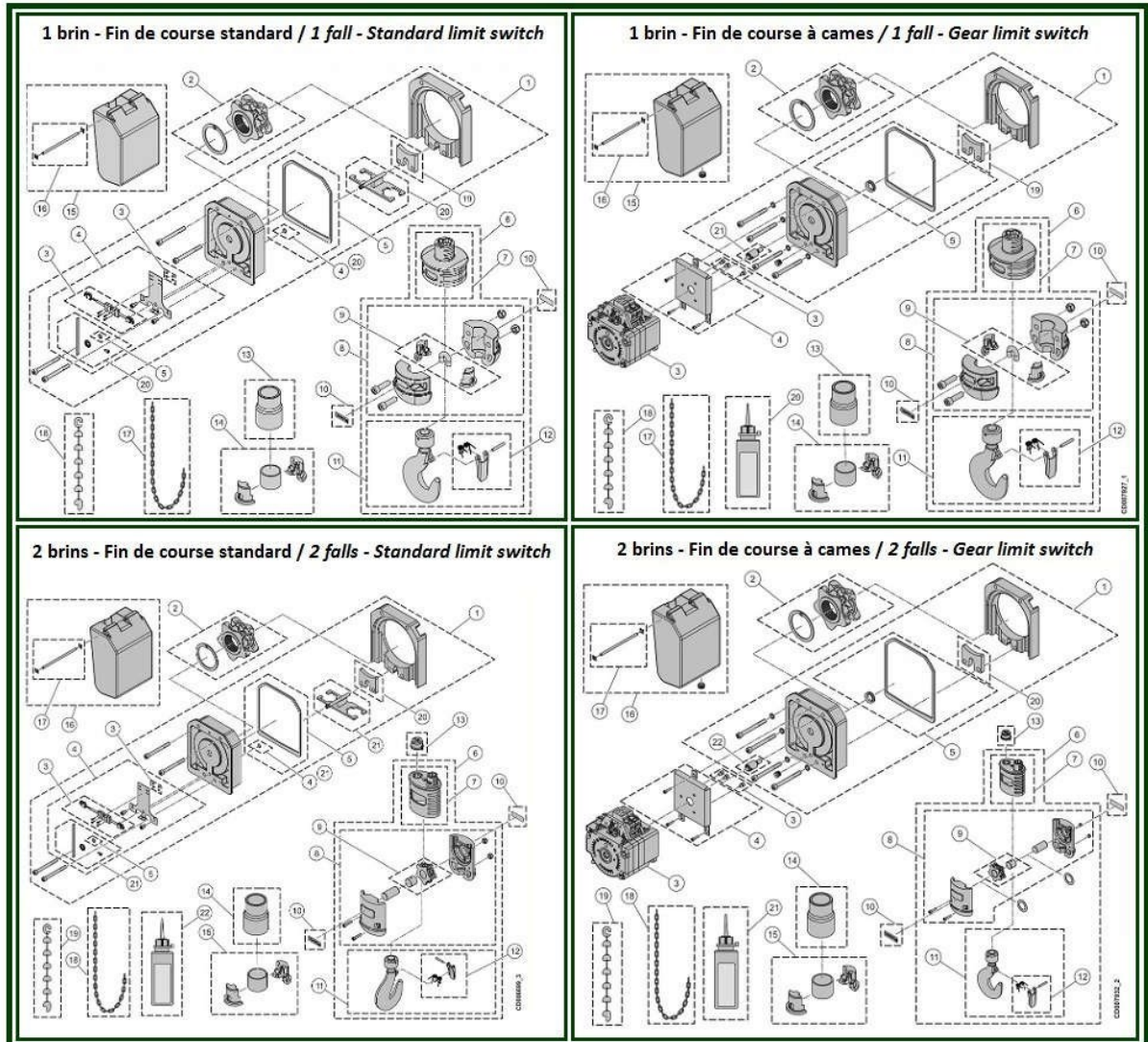


Suspension eye

Item	Reference	Description	Observation	Quantity
1	<u>VT0006668</u>	Flange housing		1
2	<u>VT0006670</u>	Electrical housing		1
3	<u>VT0006672</u>	Sealings set		1
4	<u>VT0006673</u>	Screw set - M6L215		1
5	<u>VT0008049</u>	Cover	Double brakes	1
5	<u>VT0006669</u>	Electrical housing	Single brake	1
6	<u>VT0006674</u>	Cover set - Motor side		1
7	<u>VT0006675</u>	Cover set - Brake side		1
8	<u>VT0006676</u>	Cover set - Front cover		1
9	<u>VT0006582</u>	Suspension eye		1
10	<u>VT0006584</u>	Fixing set		1
11	<u>VT0006677</u>	Stickers set - Brand		1
13	<u>VT0006090</u>	Set of 4 plugs	OPTION : Gear limit switch	1
14	<u>VT0006050</u>	Set of 10 load plates	1000 Kg	1
14	<u>VT0006051</u>	Set of 10 load plates	1250 Kg	1
14	<u>VT0006052</u>	Set of 10 load plates	1600 Kg	1
14	<u>VT0006053</u>	Set of 10 load plates	2000 Kg	1
14	<u>VT0006054</u>	Set of 10 load plates	2500 Kg	1
14	<u>VT0007817</u>	Set of 10 load plates	3200 Kg	1

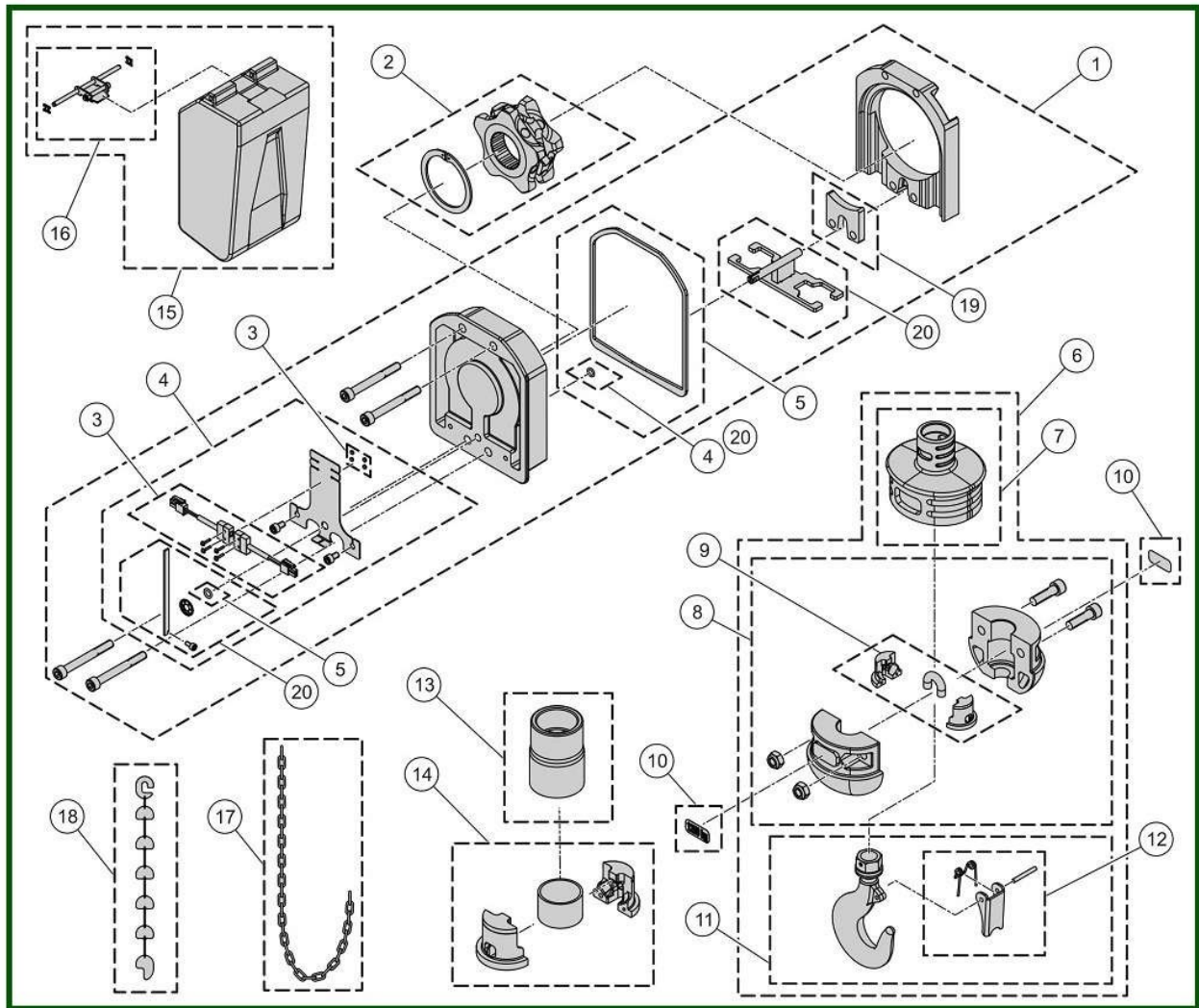
2. GUIDE-CHAÎNE 9X27

It is not possible to fit MS & GLS together



2.1. Chain guide - 1 fall – Standard limit switch

Chain 9x27

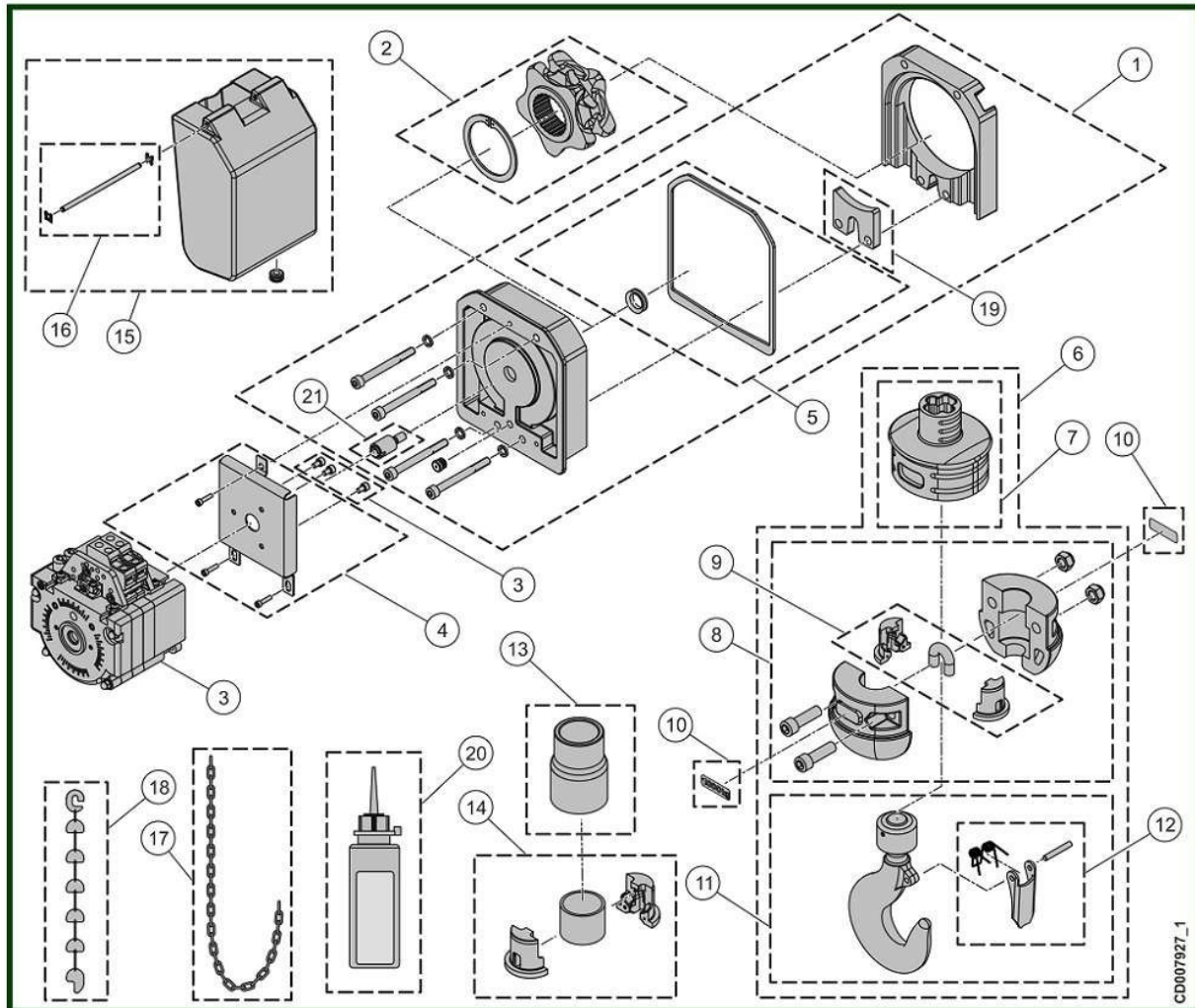


Chain guide - 1 fall – Standard limit switch

Item	Reference	Description	Observation	Quantity
1	<u>VT0006678</u>	Chain guide - Chain 9x27		1
2	<u>VT0006679</u>	Chain sprocket		1
3	<u>VT0006588</u>	Switch set		1
4	<u>VT0006589</u>	Limit switch activator		1
5	<u>VT0006680</u>	Sealings set		1
6	<u>VT0006681</u>	Hook block - 1 fall		1
6	<u>VT0008050</u>	Hook block - 1 fall	Automatic hook	1
7	<u>VT0006682</u>	Rubber chain stop		1
8	<u>VT0006683</u>	Half casing set		1
9	<u>VT0006684</u>	Shaft		1
10	<u>VT0006596</u>	Set of 10 load plates	1000 Kg	1
10	<u>VT0006749</u>	Set of 10 load plates	1250 Kg	1
10	<u>VT0006597</u>	Set of 10 load plates	1600 Kg	1
11	<u>VT0006685</u>	Hook assembly		1
11	<u>VT0006486</u>	Automatic hook assembly		1
12	<u>VT0006750</u>	Safety latch		1
13	<u>VT0006686</u>	Rubber chain stop		1
14	<u>VT0006687</u>	Chain stop		1
15	<u>VT0006688</u>	Chain bucket	12 m	1
15	<u>VT0006689</u>	Chain bucket	30 m	1
15	<u>VT0007822</u>	Chain bucket	80 m	1
16	<u>VT0006604</u>	Fixing set - Chain bucket	12 m	1
16	<u>VT0007049</u>	Fixing set - Chain bucket	50 m & 80 m	1
17	<u>VT0006691</u>	Chain 9x27		1
18	<u>VT0006692</u>	Chain tools		1
19	<u>VT0006693</u>	Ejector		1
20	<u>VT0006694</u>	Limit switch activator		1
21	<u>VT0006025</u>	Oil can		1

2.2. Chain guide - 1 fall - Gear limit switch

Chain 9x27



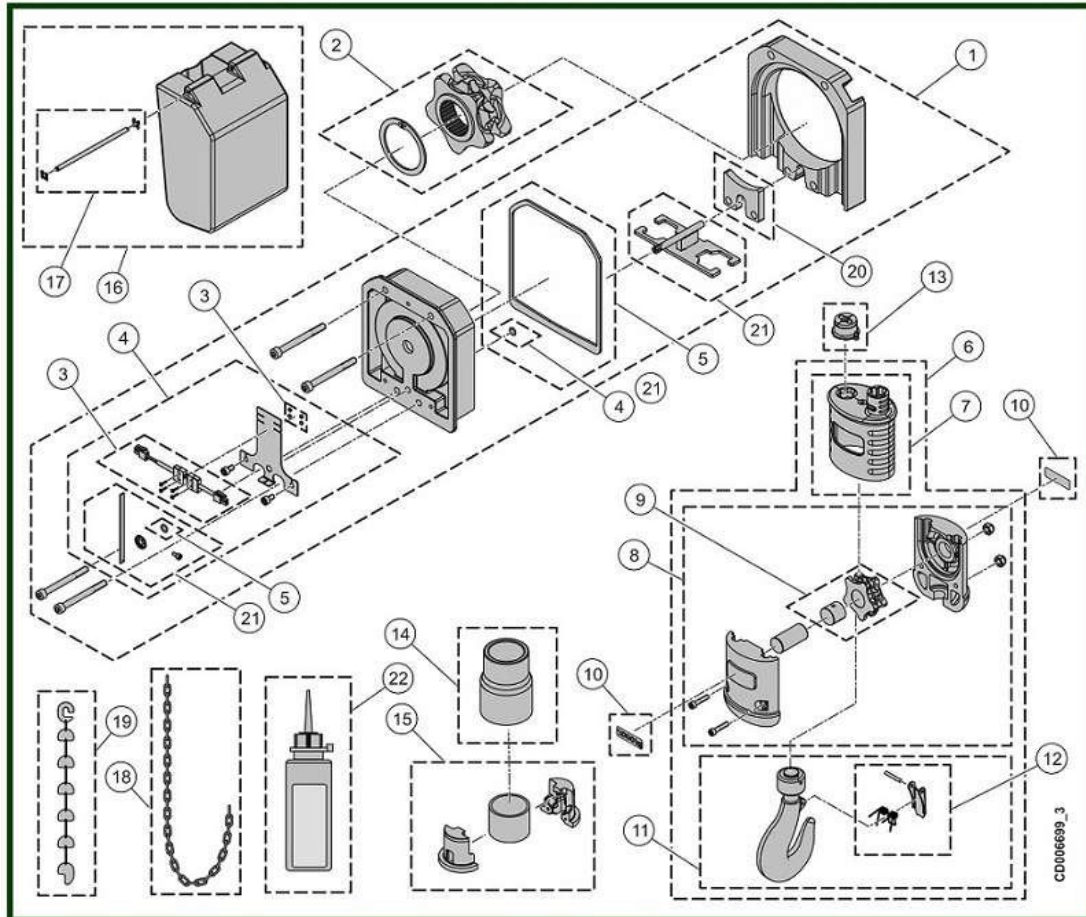
CD007927_1

Chain guide - 1 fall - Gear limit switch

Item	Reference	Description	Observation	Quantity
1	<u>VT0008053</u>	Chain guide - Chain 9x27	Gear limit switch	1
2	<u>VT0006679</u>	Chain sprocket		1
3	<u>VT0006113</u>	Rotating limit switch - 2 steps	48m : 1 fall - 24m : 2 falls	1
3	<u>VT0006252</u>	Rotating limit switch - 4 steps	48m : 1 fall - 24m : 2 falls	1
4	<u>VT0008047</u>	Limit switch activator		1
5	<u>VT0008054</u>	Sealings set		1
6	<u>VT0006681</u>	Hook block - 1 fall		1
6	<u>VT0008050</u>	Hook block - 1 fall	Automatic hook assembly	1
7	<u>VT0006682</u>	Rubber chain stop		1
8	<u>VT0006683</u>	Half casing set		1
9	<u>VT0006684</u>	Shaft		1
10	<u>VT0006596</u>	Set of 10 load plates	1000 Kg	1
10	<u>VT0006749</u>	Set of 10 load plates	1250 Kg	1
10	<u>VT0006597</u>	Set of 10 load plates	1600 Kg	1
11	<u>VT0006685</u>	Hook assembly		1
11	<u>VT0006486</u>	Automatic hook assembly		1
12	<u>VT0006750</u>	Safety latch		1
13	<u>VT0006686</u>	Rubber chain stop		1
14	<u>VT0006687</u>	Chain stop		1
15	<u>VT0006688</u>	Chain bucket	12 m	1
15	<u>VT0006689</u>	Chain bucket	30 m	1
15	<u>VT0007822</u>	Chain bucket	80 m	1
16	<u>VT0006604</u>	Fixing set - Chain bucket	12 m	1
16	<u>VT0007049</u>	Fixing set - Chain bucket	50 m & 80 m	1
17	<u>VT0006691</u>	Chain 9x27		1
18	<u>VT0006692</u>	Chain tools		1
19	<u>VT0006693</u>	Ejector		1
20	<u>VT0006025</u>	Oil can		1
21	<u>VT0008045</u>	Geared limit switch		1

2.3. Chain guide - 2 falls - Standard limit switch

Chain 9x27

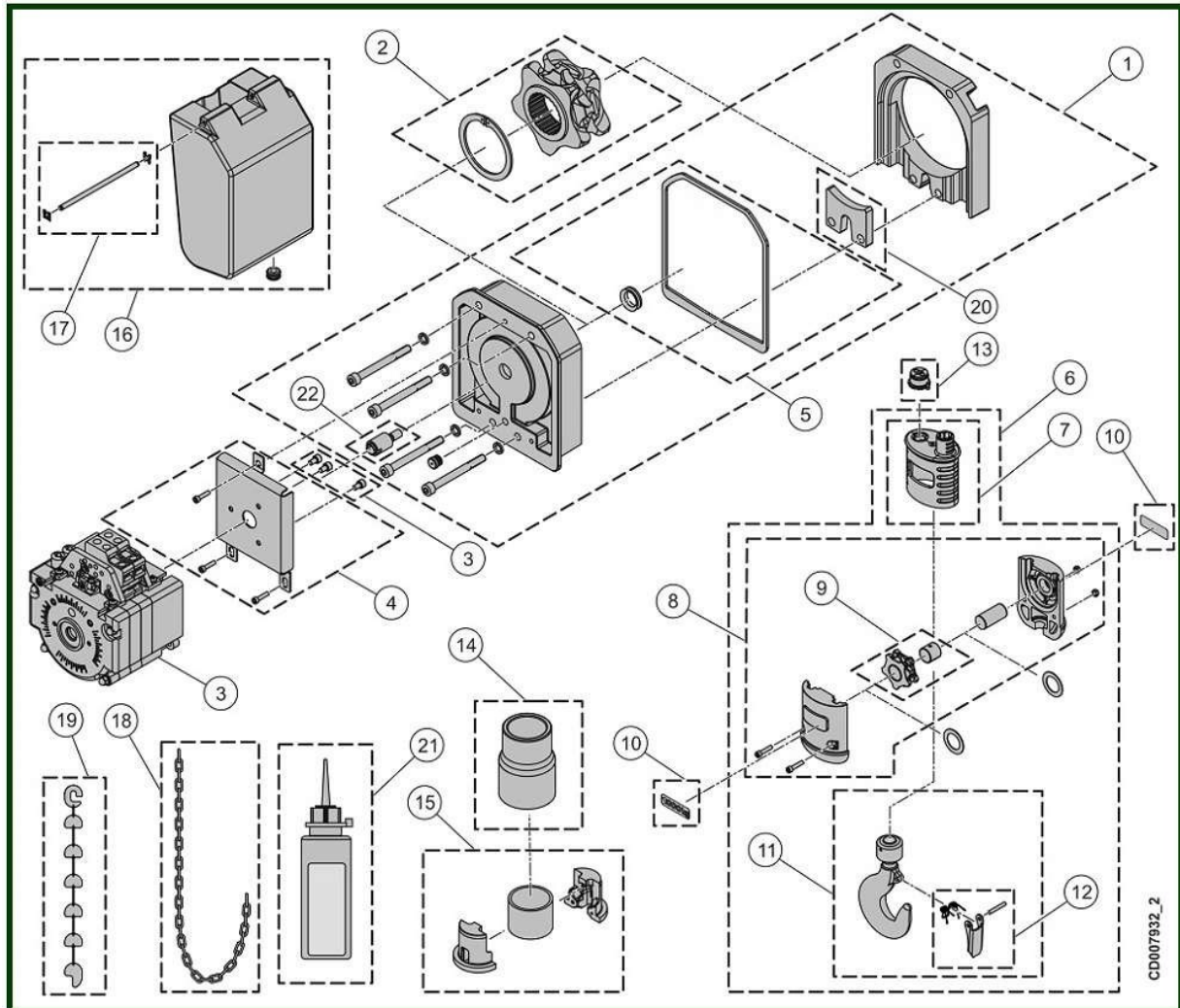


Chain guide - 2 falls - Standard limit switch

Item	Reference	Description	Observation	Quantity
1	<u>VT0006678</u>	Chain guide - Chain 9x27		1
2	<u>VT0006679</u>	Chain sprocket		1
3	<u>VT0006588</u>	Switch set		1
4	<u>VT0006589</u>	Limit switch activator		1
5	<u>VT0006680</u>	Sealings set		1
6	<u>VT0006695</u>	Hook block - 2 falls		1
6	<u>VT0008056</u>	Hook block - 2 falls	Automatic hook assembly	1
6	<u>VT0007050</u>	Hook block - 2 falls	Standard	1
7	<u>VT0006696</u>	Rubber chain stop		1
8	<u>VT0006697</u>	Set of half casing		1
9	<u>VT0006698</u>	Return sprocket		1
10	<u>VT0008058</u>	Set of 10 load plates	2000 Kg	1
10	<u>VT0008057</u>	Set of 10 load plates	2500 Kg	1
10	<u>VT0007824</u>	Set of 10 load plates	3200 Kg	1
11	<u>VT0008059</u>	Automatic hook assembly		1
11	<u>VT0006699</u>	Hook assembly standard		1
12	<u>VT0005902</u>	Safety latch		1
13	<u>VT0006700</u>	Fixing module		1
14	<u>VT0006686</u>	Rubber chain stop		1
15	<u>VT0006687</u>	Chain stop		1
16	<u>VT0006688</u>	Chain bucket	12 m	1
16	<u>VT0006689</u>	Chain bucket	30 m	1
16	<u>VT0007822</u>	Chain bucket	80 m	1
17	<u>VT0006604</u>	Fixing set - Chain bucket	12 m	1
17	<u>VT0007049</u>	Fixing set - Chain bucket		1
18	<u>VT0006691</u>	Chain 9x27		1
19	<u>VT0006692</u>	Chain tools		1
20	<u>VT0006693</u>	Ejector		1
21	<u>VT0006694</u>	Limit switch activator		1
22	<u>VT0006025</u>	Oil can		1

2.4. Chain guide - 2 falls - Gear limit switch

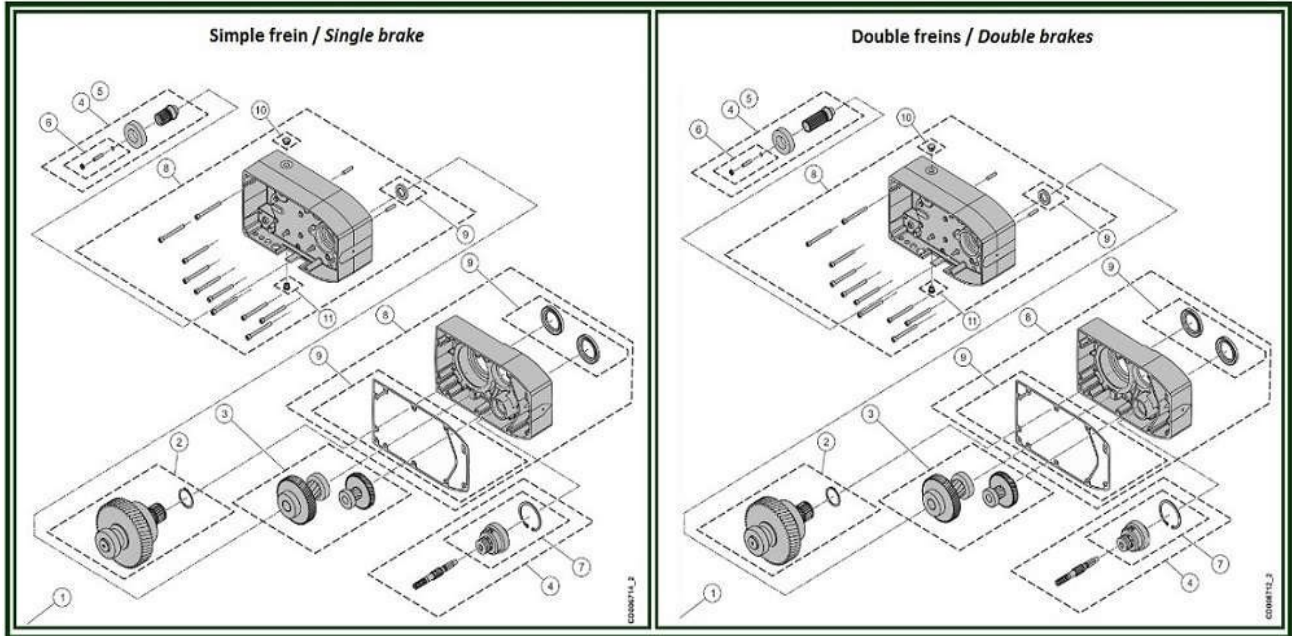
Chain 9x27



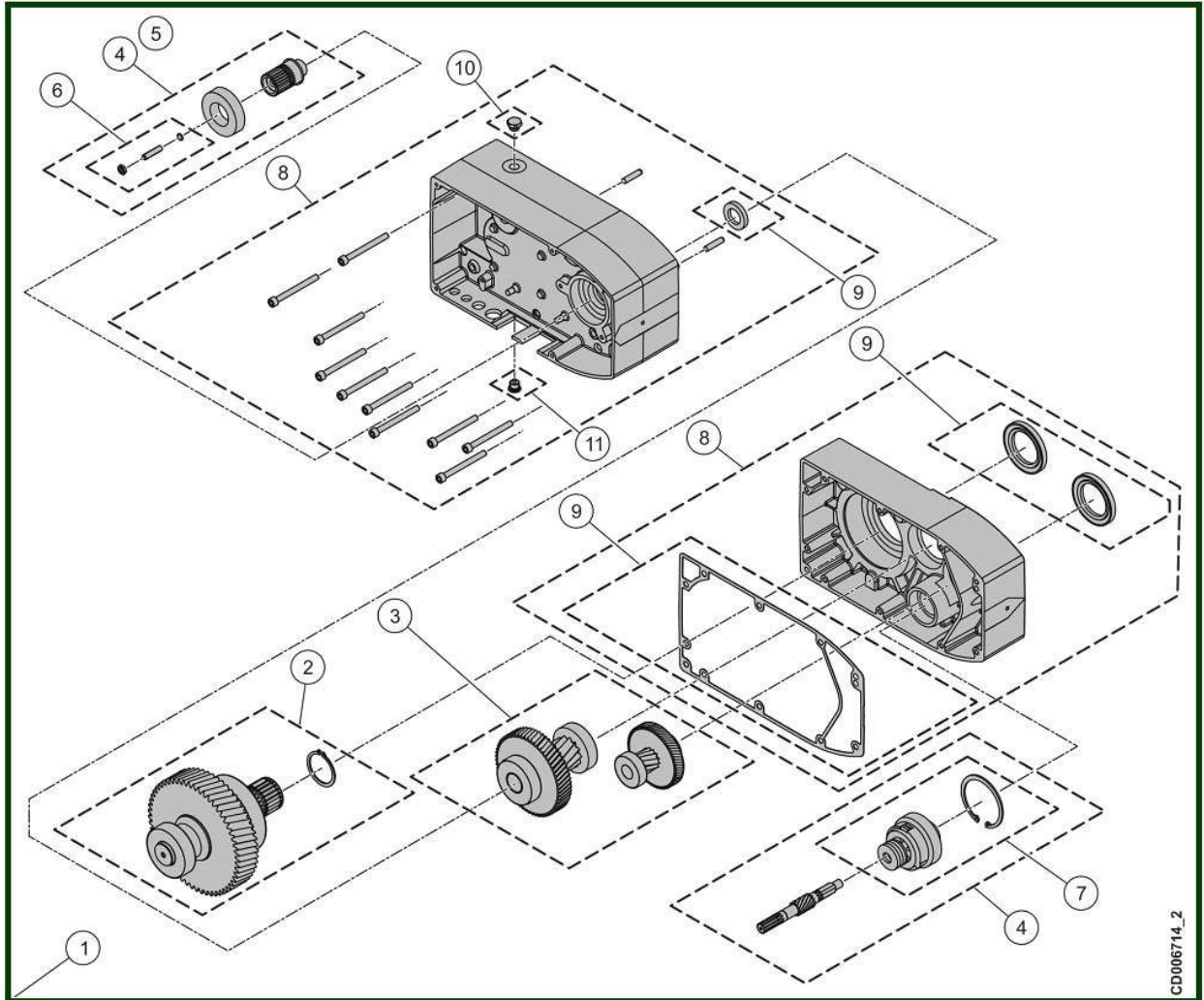
Chain guide - 2 falls - Gear limit switch

Item	Reference	Description	Observation	Quantity
1	VT0008053	Chain guide - Chain 9x27	Gear limit switch	1
2	VT0006679	Chain sprocket		1
3	VT0006113	Rotating limit switch - 2 steps	48m : 1 fall - 24m : 2 falls	1
3	VT0006252	Rotating limit switch - 4 steps	48m : 1 fall - 24m : 2 falls	1
4	VT0008047	Limit switch activator		1
5	VT0008054	Sealings set		1
6	VT0008056	Hook block - 2 falls	Automatic hook assembly	1
6	VT0007050	Hook block - 2 falls	Standard	1
7	VT0006696	Rubber chain stop		1
8	VT0006697	Set of half casing		1
9	VT0006698	Return sprocket		1
10	VT0008058	Set of 10 load plates	2000 Kg	1
10	VT0008057	Set of 10 load plates	2500 Kg	1
10	VT0007824	Set of 10 load plates	3200 Kg	1
11	VT0008059	Automatic hook assembly		1
11	VT0006699	Hook assembly standard		1
12	VT0005902	Safety latch		1
13	VT0006700	Fixing module		1
14	VT0006686	Rubber chain stop		1
15	VT0006687	Chain stop		1
16	VT0006688	Chain bucket	12 m	1
16	VT0006689	Chain bucket	30 m	1
16	VT0007822	Chain bucket	80 m	1
17	VT0006604	Fixing set - Chain bucket	12 m	1
17	VT0007049	Fixing set - Chain bucket	50 m & 80 m	1
18	VT0006691	Chain 9x27		1
19	VT0006692	Chain tools		1
20	VT0006693	Ejector		1
21	VT0006025	Oil can		1
22	VT0008045	Geared limit switch		1

3. GEAR



3.1. Single brake

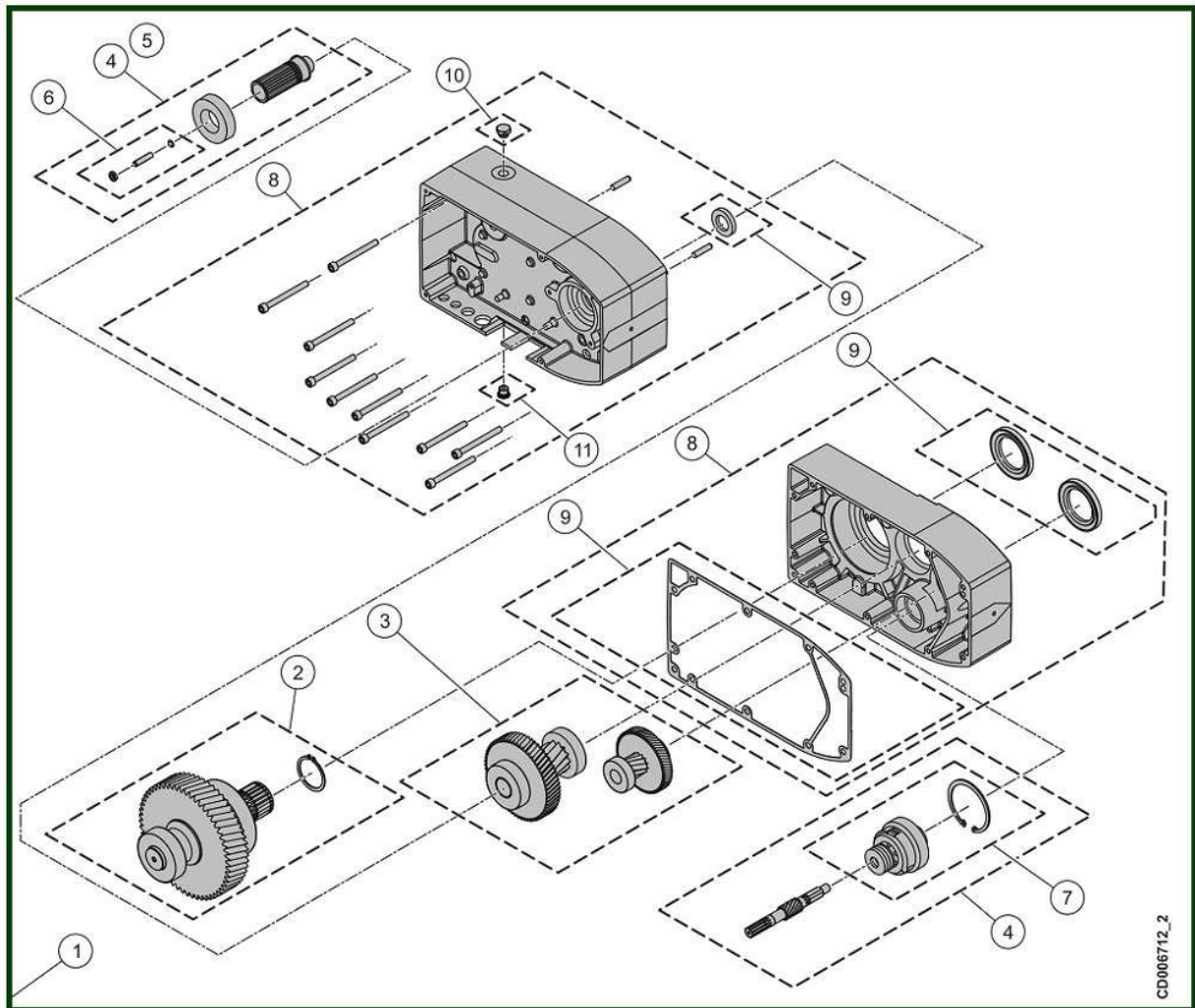


CD006714_2

Single brake

Item	Reference	Description	Observation	Quantity
1	<u>VT0006702</u>	Gear assembly	8 m/min	1
1	<u>VT0006703</u>	Gear assembly	12.5 m/min	1
1	<u>VT0006704</u>	Gear assembly	16 m/min	1
2	<u>VT0006720</u>	Primary gear - Pinion set		1
3	<u>VT0006721</u>	Second gear pinion set	8 m/min	1
3	<u>VT0006722</u>	Second gear pinion set	12.5 m/min	1
3	<u>VT0006723</u>	Second gear pinion set	16 m/min	1
4	<u>VT0006724</u>	Gear shaft with clutch		1
5	<u>VT0006726</u>	Coupling brake side	Single brake	1
6	<u>VT0006728</u>	Screw set		1
7	<u>VT0006729</u>	Clutch set		1
8	<u>VT0006708</u>	Frame		1
9	<u>VT0006730</u>	Sealing set		1
10	<u>VT0006638</u>	Breather		1
11	<u>VT0006639</u>	End cap		1
-	<u>VT0006615</u>	Oil can gearbox VR	ATF320 02=0.25l /05=0.23l /10=0.60l /16=1.42l 25=2,00l	2

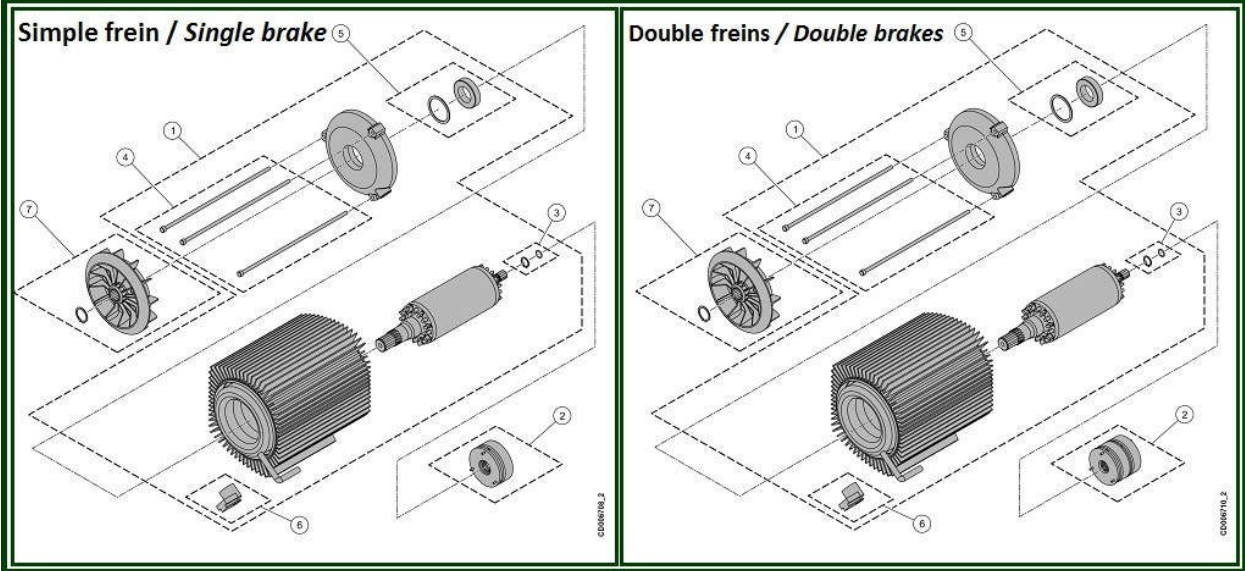
3.2. Double brakes



Double brakes

Item	Reference	Description	Observation	Quantity
1	<u>VT0006705</u>	Gear assembly	8 m/min	1
1	<u>VT0006706</u>	Gear assembly	12.5 m/min	1
1	<u>VT0006707</u>	Gear assembly	16 m/min	1
2	<u>VT0006720</u>	Primary gear - Pinion set		1
3	<u>VT0006721</u>	Second gear pinion set	8 m/min	1
3	<u>VT0006722</u>	Second gear pinion set	12.5 m/min	1
3	<u>VT0006723</u>	Second gear pinion set	16 m/min	1
4	<u>VT0006725</u>	Gear shaft with clutch		1
5	<u>VT0006727</u>	Coupling brake side	Single brake	1
6	<u>VT0006728</u>	Screw set		1
7	<u>VT0006729</u>	Clutch set		1
8	<u>VT0006708</u>	Frame		1
9	<u>VT0006730</u>	Sealing set		1
10	<u>VT0006638</u>	Breather		1
11	<u>VT0006639</u>	End cap		1
-	<u>VT0006615</u>	Oil can gearbox VR	ATF320 02=0.25l /05=0.23l /10=0.60l /16=1.42l 25=2,00	2

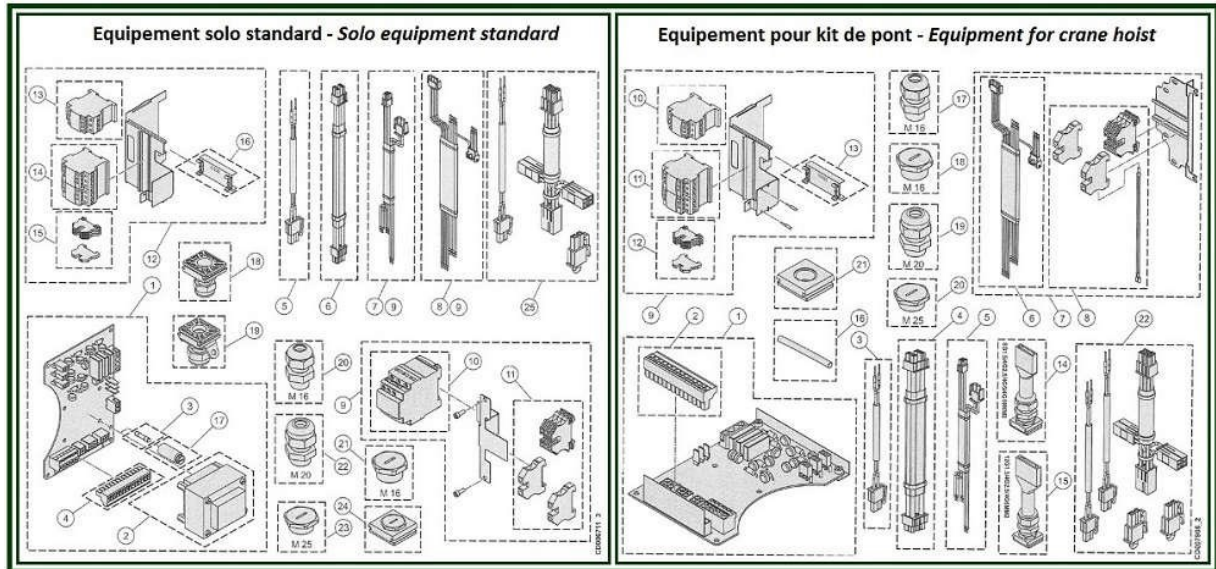
4. MOTOR - Single brake & Double brakes



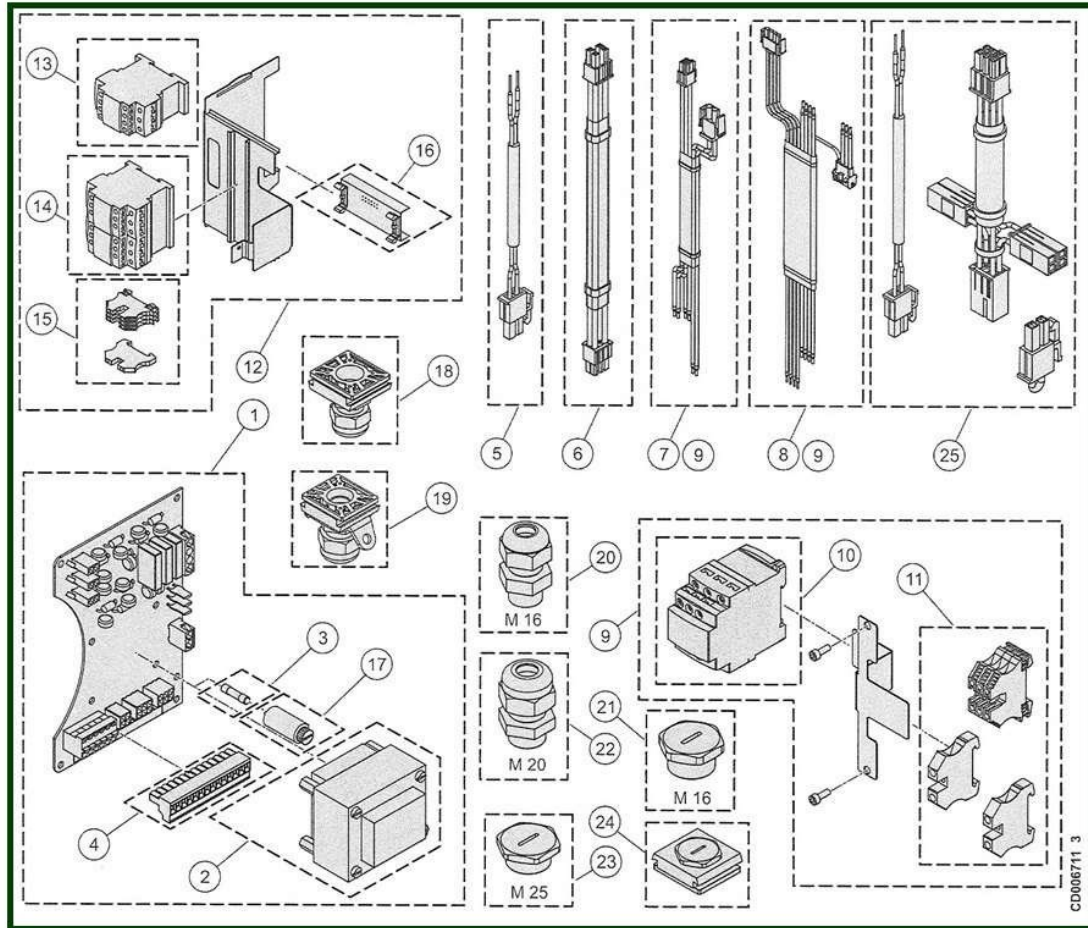
MOTOR - Single brake & Double brakes

Item	Reference	Description	Observation	Quantity
1	<u>VT0006710</u>	Motor- 2 speeds	220-240V 50Hz Without fan	1
1	<u>VT0006713</u>	Motor- 2 speeds	380-400V 60Hz Without fan	1
1	<u>VT0006709</u>	Motor- 2 speeds	380-415V 50Hz / 440-480V 60Hz Without fan	1
1	<u>VT0006715</u>	Motor- 2 speeds	500-525V 50Hz / 575-600V 60Hz Without fan	1
1	<u>VT0006712</u>	Motor- 2 speeds	660-690V 50Hz Without fan	1
1	<u>VT0006714</u>	Motor- 2 speeds	660-690V 60Hz Without fan	1
2	<u>VT0008563</u>	Single brake + seal kit	103 - 230 V Double brakes = Single brake x 2	1
2	<u>VT0008564</u>	Single brake + seal kit	190 - 400 V Double brakes = Single brake x 2	1
2	<u>VT0008565</u>	Single brake + seal kit	240 - 500 V Double brakes = Single brake x 2	1
2	<u>VT0008566</u>	Single brake + seal kit	320 - 690 V Double brakes = Single brake x 2	1
3	<u>VT0006654</u>	Retaining ring		1
4	<u>VT0006748</u>	Screw set		1
5	<u>VT0005912</u>	Bearing set		1
6	<u>VT0006733</u>	Grommet		1
7	<u>VT0005915</u>	Fan set		1

5. ELECTRICAL PARTS



5.1. Solo equipment – Standard



Item	Reference	Description	Observation	Quantity
1	VT0007668	CI board	208-230V/110-115V/50-60Hz	1
1	VT0007667	CI board	230V / 48V / 50-60Hz	1
1	VT0006738	CI board	380-415V / 24V / 50 60Hz	1
1	VT0006657	CI board	380-415V / 48V / 50-60Hz	1
1	VT0007665	CI board	380-415V / 110-115V / 50-60Hz	1
1	VT0007666	CI board	380-415V / 230V / 50-60Hz	1
1	VT0007669	CI board	440-480V / 48V / 50-60Hz	1
1	VT0007670	CI board	440-480V / 110-115V / 50-60Hz	1
1	VT0007671	CI board	500-525V / 48V / 50-60Hz	1

Solo equipment – Standard

Item	Reference	Description	Observation	Quantity
1	<u>VT0007672</u>	CI board	500-525V/110-115V / 50-60Hz	1
1	<u>VT0007695</u>	CI board	500-525V/230V / 50-60Hz	1
1	<u>VT0007673</u>	CI board	575V/48V / 50-60Hz	1
1	<u>VT0007674</u>	CI board	575V/110-115V / 50-60Hz	1
1	<u>VT0007675</u>	CI board	690V /48V / 50-60Hz	1
1	<u>VT0007676</u>	CI board	690V /110-115V / 50-60Hz	1
2	<u>VT0007684</u>	Transformer	230V/48V / 50-60Hz	1
2	<u>VT0007685</u>	Transformer	230V/110-115V / 50-60Hz	1
2	<u>VT0006739</u>	Transformer	380-415V / 24V / 50 60Hz	1
2	<u>VT0006658</u>	Transformer	380-415V / 48V / 50-60Hz	1
2	<u>VT0007682</u>	Transformer	380-415V / 110-115V / 50-60Hz	1
2	<u>VT0007683</u>	Transformer	380-415V / 230V / 50-60Hz	1
2	<u>VT0007686</u>	Transformer	440-480V/48V / 50-60Hz	1
2	<u>VT0007687</u>	Transformer	440-480V/110V-115V / 50-60Hz	1
2	<u>VT0007688</u>	Transformer	500-525V/48V / 50-60Hz	1
2	<u>VT0007689</u>	Transformer	500-525V/110V-115V / 50-60Hz	1
2	<u>VT0007690</u>	Transformer	500-525V/230V / 50-60Hz	1
2	<u>VT0007691</u>	Transformer	575V / 48V / 50-60Hz	1
2	<u>VT0007692</u>	Transformer	575V / 115V / 50-60Hz	1
2	<u>VT0007693</u>	Transformer	690V / 48V / 50-60Hz	1
2	<u>VT0007694</u>	Transformer	690V / 110-115V/ 50-60Hz	1
3	<u>VT0007706</u>	Fuses set	Control voltage 24V/48V	1
3	<u>VT0007707</u>	Fuses set	Control voltage 110V/115V	1
3	<u>VT0007306</u>	Fuses set	Control voltage 230V	1
4	<u>VT0005108</u>	Pendant connector	14P	1
5	<u>VT0006661</u>	Linking cable of 300mm for GLS	24V-230V / 50-60Hz	1
5	<u>VT0008550</u>	Linking cable of 600mm for GLS	Quantity: 2 for 2 steps or 4 for 4 steps	1
6	<u>VT0006662</u>	Linking cable – Wire harness	230V / 24V / 50-60Hz	1
7	<u>VT0006663</u>	Linking cable	230V / 24V / 50-60Hz	1
8	<u>VT0006664</u>	Linking cable	208V-690V / 50-60Hz	1

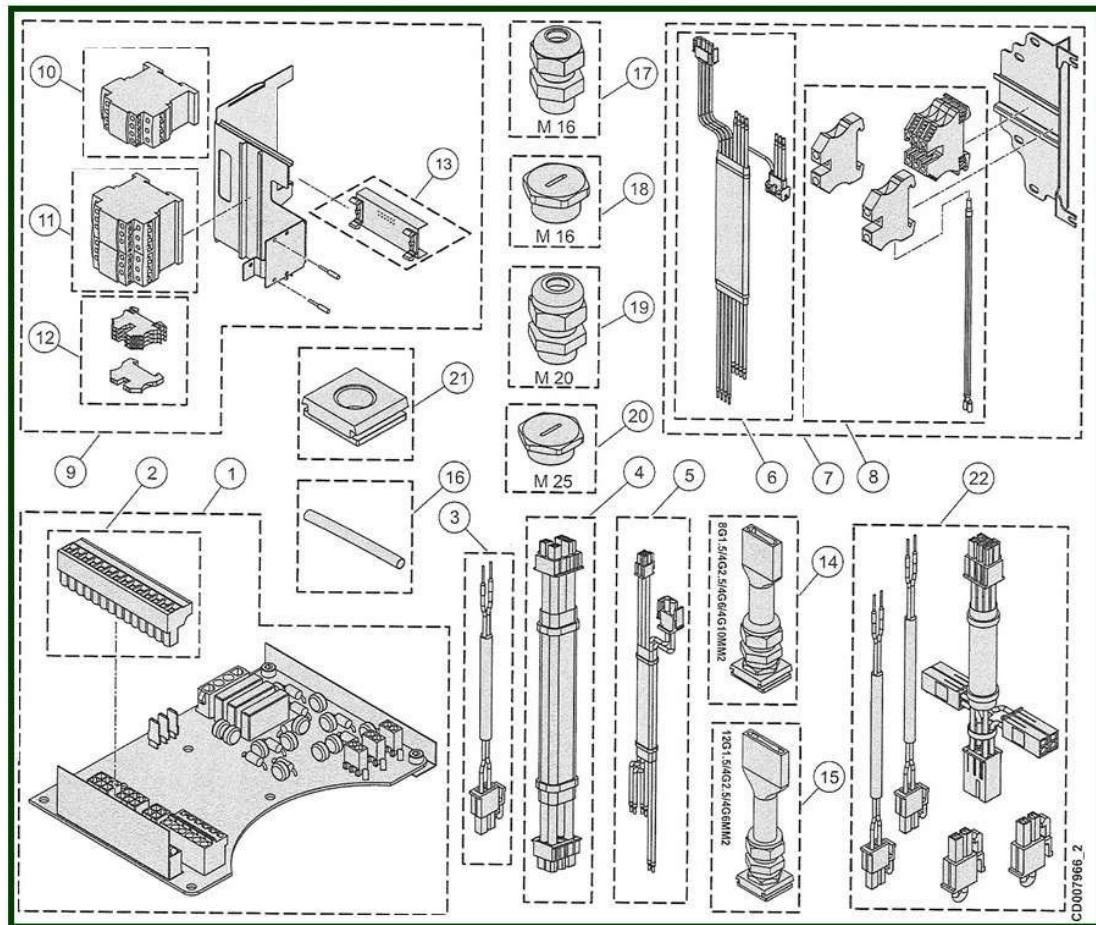
Solo equipment – Standard (suite)

Item	Reference	Description	Observation	Quantity
9	<u>VT0008062</u>	PC board ON/OFF	208-690V / 50-60Hz / 24V	1
9	<u>VT0006734</u>	PC board ON/OFF	208-690V / 50-60Hz / 48V	1
9	<u>VT0008061</u>	PC board ON/OFF	208-690V / 50-60Hz / 115V	1
9	<u>VT0008063</u>	PC board ON/OFF	208-690V / 50-60Hz / 230V	1
10	<u>VT0007696</u>	Contactor ON/OFF	24V	1
10	<u>VT0006731</u>	Contactor ON/OFF	48V	1
10	<u>VT0007697</u>	Contactor ON/OFF	110V	1
10	<u>VT0007698</u>	Contactor ON/OFF	230V	1
11	<u>VT0007708</u>	Terminal block set		1
12	<u>VT0008067</u>	Electrical board - 2HS	208-230V / 48V / 50-60Hz	1
12	<u>VT0008068</u>	Electrical board - 2HS	208-230V / 110-115V / 50-60Hz	1
12	<u>VT0008064</u>	Electrical board - 2HS	380-690V / 24V / 50-60Hz	1
12	<u>VT0006735</u>	Electrical board - 2HS	380-690V / 48V / 50-60Hz	1
12	<u>VT0008065</u>	Electrical board - 2HS	380-690V / 110-115V / 50-60Hz	1
12	<u>VT0008066</u>	Electrical board - 2HS	380-690V / 230V / 50-60Hz	1
13	<u>VT0008069</u>	Selector contactor	208-230V / 48V / 50-60Hz	1
13	<u>VT0008070</u>	Selector contactor	208-230V / 110V / 50-60Hz	1
13	<u>VT0006737</u>	Selector contactor	380-690V / 48V / 50-60Hz	1
13	<u>VT0006740</u>	Selector contactor	380-690V / 110-115V / 50-60Hz	1
13	<u>VT0006741</u>	Selector contactor	380-690V / 230V / 50-60Hz	1
13	<u>VT0006736</u>	Selector contactor	380V-690V/24V / 50-60Hz	1
14	<u>VT0006742</u>	Reversing contactor	380-690V / 24V / 50-60Hz	1
14	<u>VT0008071</u>	Reversing contactor	380-690V / 48V / 50-60Hz	1
14	<u>VT0006744</u>	Reversing contactor	380-690V / 110-115V / 50-60Hz	1
14	<u>VT0006745</u>	Reversing contactor	380-690V / 230V / 50-60Hz	1
14	<u>VT0006743</u>	Selector contactor	380-690V / 48V / 50-60Hz	1
14	<u>VT0007704</u>	Selector contactor	380-690V / 110V-115V / 50-60Hz	1
15	<u>VT0007709</u>	Terminal block set		1
16	<u>VT0006732</u>	Terminal block set	230V / 24 - 50/60Hz	1
17	<u>VT0006191</u>	Fuses base		1
18	<u>VT0006393</u>	Cable gland set Square cable entry	CG M20- ISO 20 Trolley - Power supply	1
19	<u>VT0005090</u>	Cable gland set Square cable entry	Push button	1
20	<u>VT0006640</u>	Cable gland	M16	1

Solo equipment – Standard

Item	Reference	Description	Observation	Quantity
21	<u>VT0006641</u>	End cap	M16	1
22	<u>VT0004924</u>	Cable gland	M20	1
23	<u>VT0006643</u>	End cap	M25	1
24	<u>VT0006089</u>	End cap Square cable entry		1
25	<u>VT0008551</u>	Set of connection GLS	FDC MS +GLS	1
-	<u>VT0006967</u>	Time counter		1

5.2. Equipment for crane kit



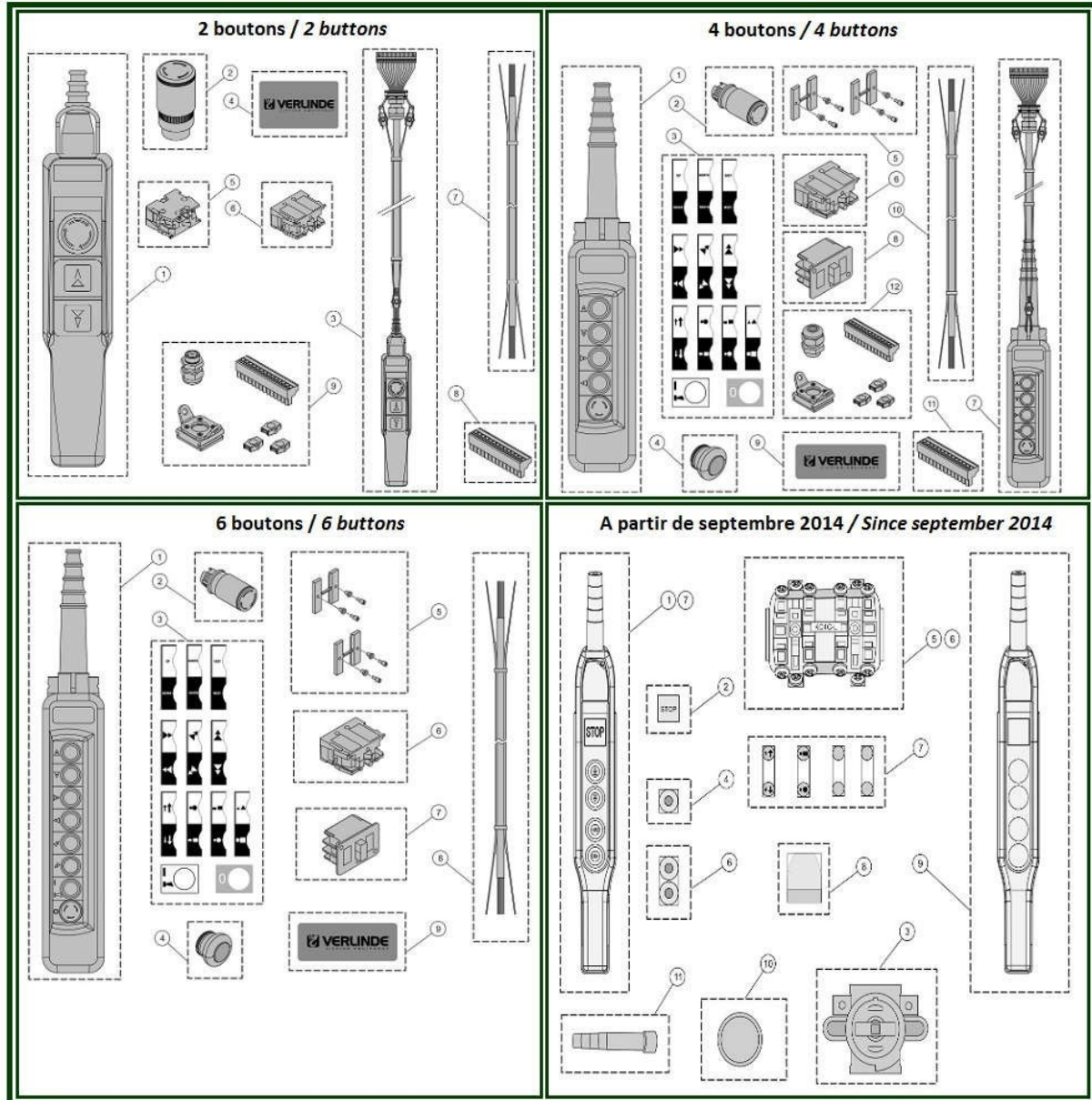
Equipment for crane kit

Item	Reference	Description	Observation	Quantity
1	VT0008072	CI board - Crane	208V 600V / 50-60Hz	1
2	VT0005108	Pendant connector	14P	1
3	VT0006661	Linking cable	230V / 24V / 50-60Hz	1
3	VT0008550	GLS cable	Quantity: 2 for 2 steps or 4 for 4 steps	1
4	VT0006662	Linking cable	230V / 24V / 50-60Hz – Wire harness	1
5	VT0006663	Linking cable	230V / 24V / 50-60Hz	1
6	VT0006664	Linking cable	208V-690V / 50-60Hz	1
7	VT0007661	PC board Power connection	208V-690V / 50-60Hz	1
8	VT0007708	Terminal block set		1
9	VT0008067	Electrical board - 2HS	208-230V / 48V / 50-60Hz	1
9	VT0008068	Electrical board - 2HS	208-230V / 110-115V / 50-60Hz	1
9	VT0008064	Electrical board - 2HS	380-690V / 24V / 50-60Hz	1
9	VT0006735	Electrical board - 2HS	380-690V / 48V / 50-60Hz	1
9	VT0008065	Electrical board - 2HS	380-690V / 110-115V / 50-60Hz	1
9	VT0008066	Electrical board - 2HS	380-690V / 230V / 50-60Hz	1
10	VT0008069	Selector contactor	208-230V / 48V / 50-60Hz	1
10	VT0008070	Selector contactor	208-230V / 110V / 50-60Hz	1
10	VT0006737	Selector contactor	380-690V / 48V / 50-60Hz	1
10	VT0006740	Selector contactor	380-690V / 110-115V / 50-60Hz	1
10	VT0006741	Selector contactor	380-690V / 230V / 50-60Hz	1
10	VT0006736	Selector contactor	380V-690V/24V / 50-60Hz	1
11	VT0006742	Reversing contactor	380-690V / 24V / 50-60Hz	1
11	VT0008071	Reversing contactor	380-690V / 48V / 50-60Hz	1
11	VT0006744	Reversing contactor	380-690V / 110-115V / 50-60Hz	1
11	VT0006745	Reversing contactor	380-690V / 230V / 50-60Hz	1
11	VT0006743	Selector contactor	380-690V / 48V / 50-60Hz	1
11	VT0007704	Selector contactor	380-690V / 110V-115V / 50-60Hz	1
12	VT0007709	Terminal block set		1
13	VT0006732	Terminal block set	230V / 24 - 50/60Hz	1
14	VT0007780	Cable gland set Square cable entry	8G1.5/4G2.5/4G6/4G10mm2	1
15	VT0006454	Cable gland set flat cable Square cable entry	12G1.5/4G2.5/4G6mm2 - ISO 25	1

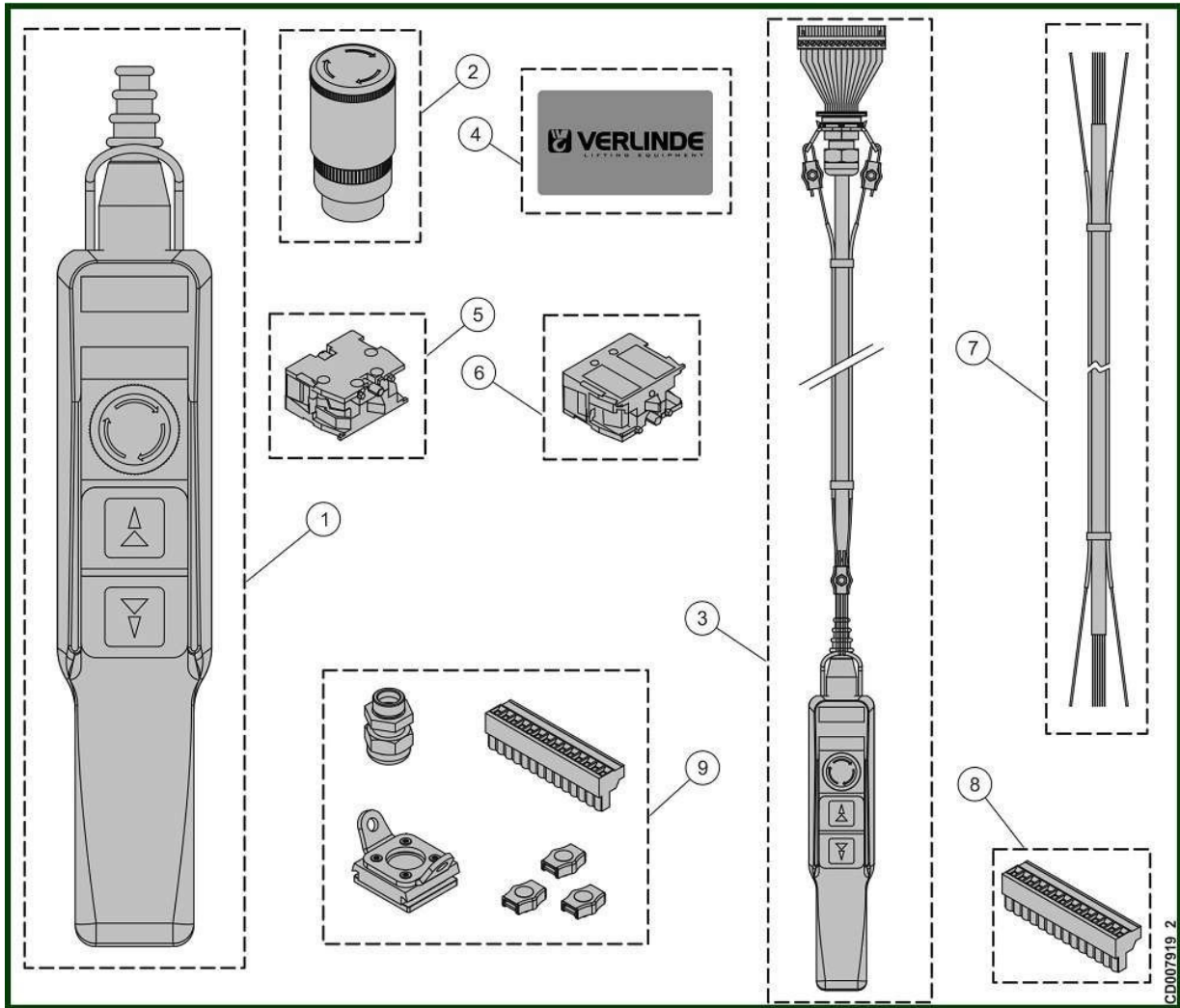
Equipment for crane kit

Item	Reference	Description	Observation	Quantity
16	<u>VT0007781</u>	Head shrinkable tube		1
17	<u>VT0006640</u>	Cable gland	M16	1
18	<u>VT0006641</u>	End cap	M16	1
19	<u>VT0004924</u>	Cable gland	M20	1
20	<u>VT0006643</u>	End cap	M25	1
21	<u>VT0006089</u>	End cap - Square cable entry		1
22	<u>VT0008551</u>	Set of connection GLS	FDC MS +GLS	1
-	<u>VT0006967</u>	Time counter		1

6. PUSH BUTTON CONTROLLER



6.1. 2 buttons

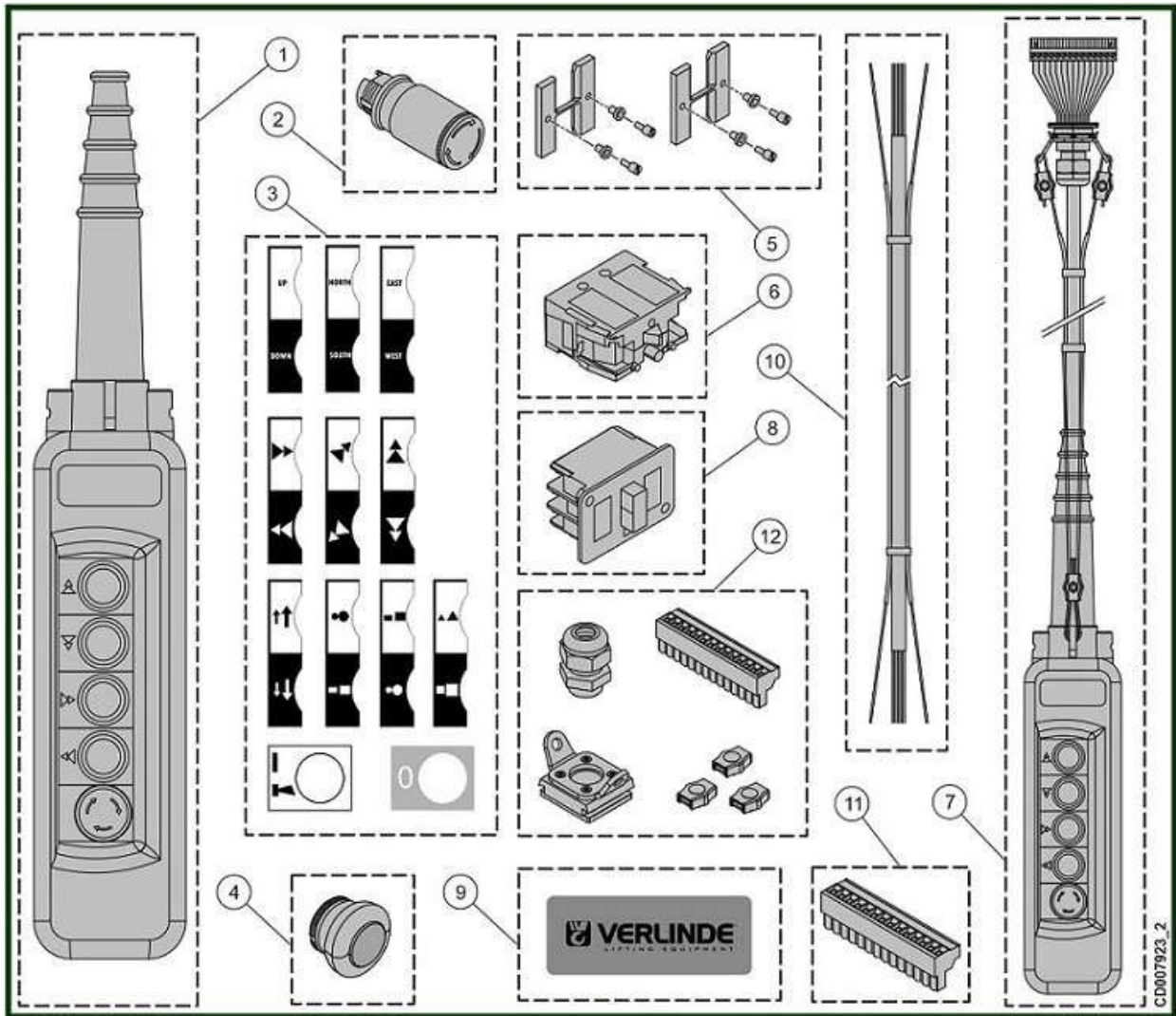


CD0007919 2

2 buttons

Item	Reference	Description	Observation	Quantity
1	<u>VT0005061</u>	6 buttons- 2HS+ES	Yellow	1
2	<u>VT0006547</u>	Emergency push button		1
3	<u>VT0005612</u>	Pendant with cable - 2HS+ES	2,2 m - Yellow - CE	1
3	<u>VT0005613</u>	Pendant with cable - 2HS+ES	2,7 m - Yellow - CE	1
3	<u>VT0005614</u>	Pendant with cable - 2HS+ES	3,2 m - Yellow - CE	1
3	<u>VT0005615</u>	Pendant with cable - 2HS+ES	3,7 m - Yellow - CE	1
3	<u>VT0005616</u>	Pendant with cable - 2HS+ES	4,2 m - Yellow - CE	1
3	<u>VT0005617</u>	Pendant with cable - 2HS+ES	4,7 m - Yellow - CE	1
3	<u>VT0005618</u>	Pendant with cable - 2HS+ES	5,2 m - Yellow - CE	1
3	<u>VT0005619</u>	Pendant with cable - 2HS+ES	5,7 m - Yellow - CE	1
4	<u>VT0007837</u>	Sticker of brand	VERLINDE	1
5	<u>VT0005064</u>	Contact block	Z B2-BE101	1
6	<u>VT0005066</u>	Contact block	Z B2-BE 102	1
6	<u>VT0015041</u>	Contact block	ZB2-BE201 "F" décalé	1
7	<u>VT0006746</u>	Cable	5x1,5 mm ² - CE	1
8	<u>VT0005108</u>	Control voltage connector	14P	1
9	<u>VT0007583</u>	Pendant plug set	ISO	1

6.2. 4 buttons

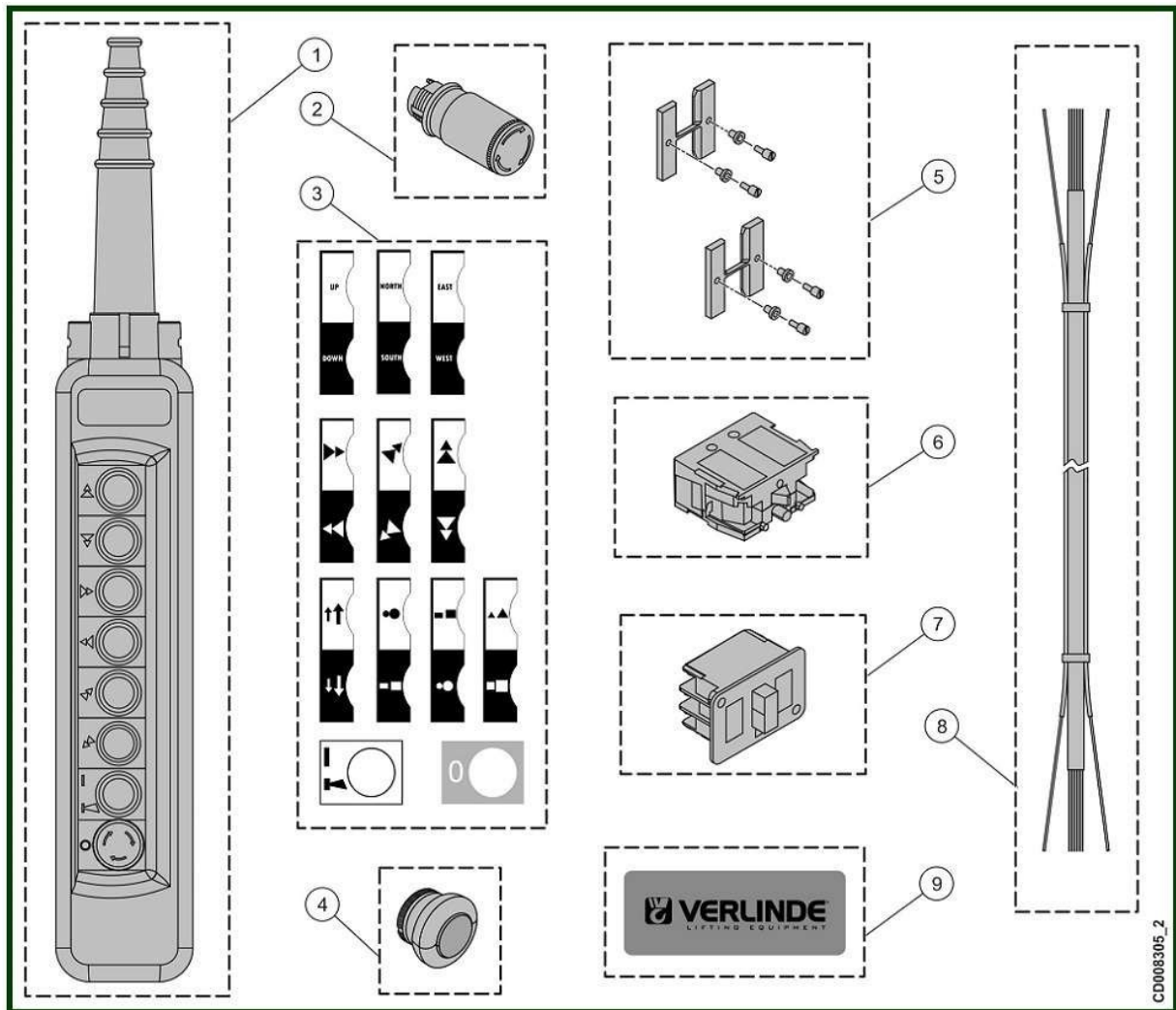


CD007923_2

4 BUTTONS

Item	Reference	Description	Observations	Quantity
1	<u>VT0005055</u>	6 buttons- 2HS+2TS+ES	Yellow	1
2	<u>VT0006548</u>	Emergency push button		1
3	<u>VT0007882</u>	Set of direction symbols		1
4	<u>VT0005063</u>	Push button		1
5	<u>VT0005072</u>	Mechanical interlock		2
6	<u>VT0005066</u>	Bloc contact	Z B2-BE 102	1
7	<u>VT0006056</u>	Pendant with cable - 2HS+2TS+ES	2,7 m - Yellow	1
7	<u>VT0006055</u>	Pendant with cable - 2HS+2TS+ES	2,2 m - Yellow	1
7	<u>VT0006057</u>	Pendant with cable - 2HS+2TS+ES	3,2 m - Yellow	1
7	<u>VT0006058</u>	Pendant with cable - 2HS+2TS+ES	3,7 m - Yellow	1
7	<u>VT0006060</u>	Pendant with cable - 2HS+2TS+ES	4,7 m - Yellow	1
7	<u>VT0006061</u>	Pendant with cable - 2HS+2TS+ES	5,2 m - Yellow	1
7	<u>VT0006062</u>	Pendant with cable - 2HS+2TS+ES	5,7 m - Yellow	1
8	<u>VT0007879</u>	Block contact	X ENG1191	1
9	<u>VT0007880</u>	Sticker of brand		1
10	<u>VT0006747</u>	Cable - 8x1,5mm2	meter	1
11	<u>VT0005108</u>	Control voltage connector	14P	1
12	<u>VT0007583</u>	Pendant plug set	ISO	1

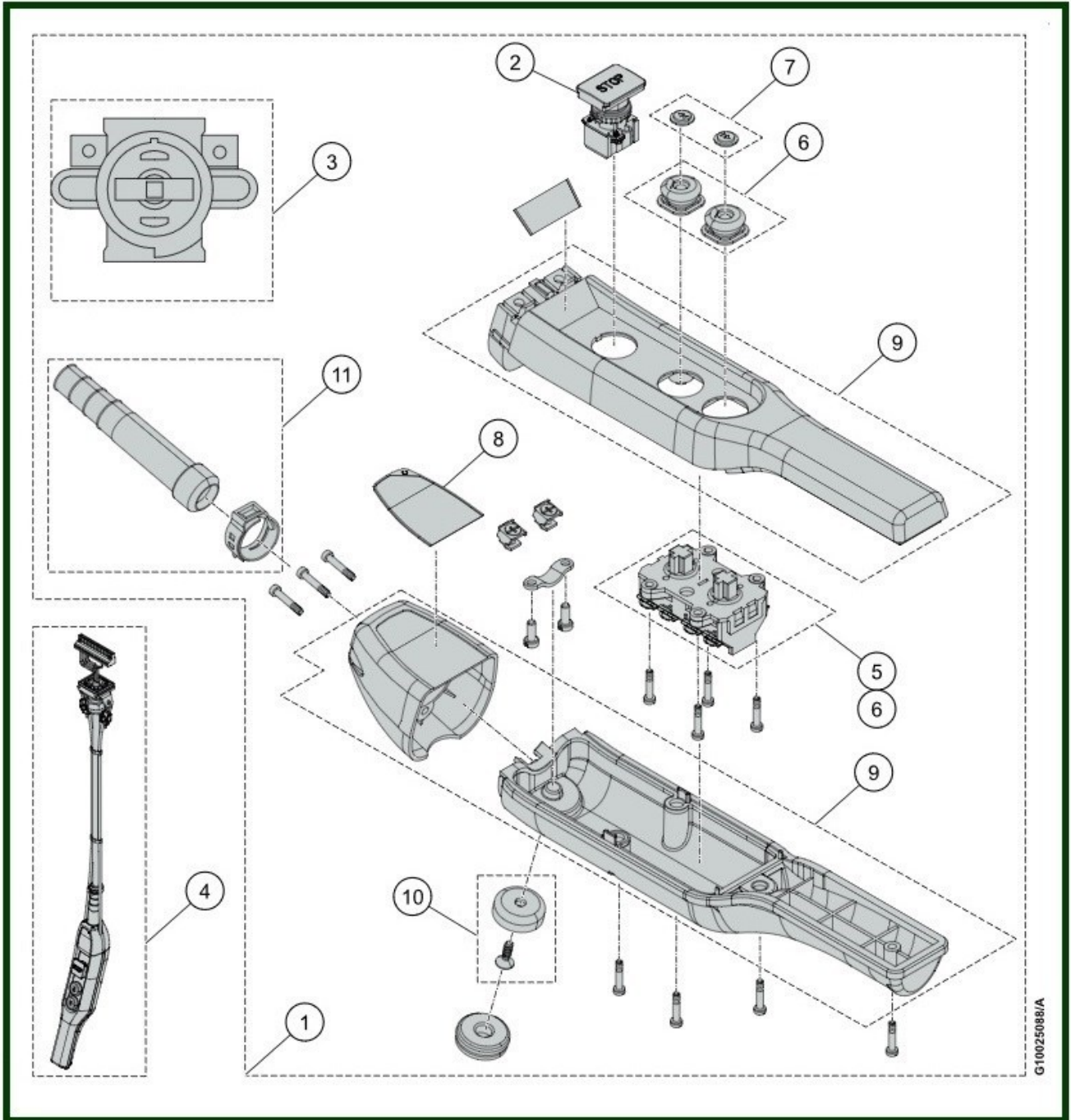
6.3. 6 buttons



6 buttons

Item	Reference	Description	Observations	Quantity
1	<u>VT0005058</u>	Pendant controller 2HS+2TS+2LS+ON-OFF	Yellow	1
2	<u>VT0006548</u>	Emergency push button		1
3	<u>VT0007882</u>	Set of direction symbols		1
4	<u>VT0005063</u>	Push button		1
5	<u>VT0005072</u>	Mechanical interlock		2
6	<u>VT0005066</u>	Contact block	Z B2-BE 102	1
7	<u>VT0007879</u>	Contact block	X ENG1191	1
8	<u>VT0008073</u>	Cable	16x1.52mm ² - meter	1
8	<u>VT0008074</u>	Cable	20x1.5mm ² - meter	1
9	<u>VT0007880</u>	Sticker of brand	VERLINDE	1
-	<u>VT0005108</u>	Control voltage connector	14P	1

6.4. 2 and 4 buttons ERGOMOVE - From September 2014



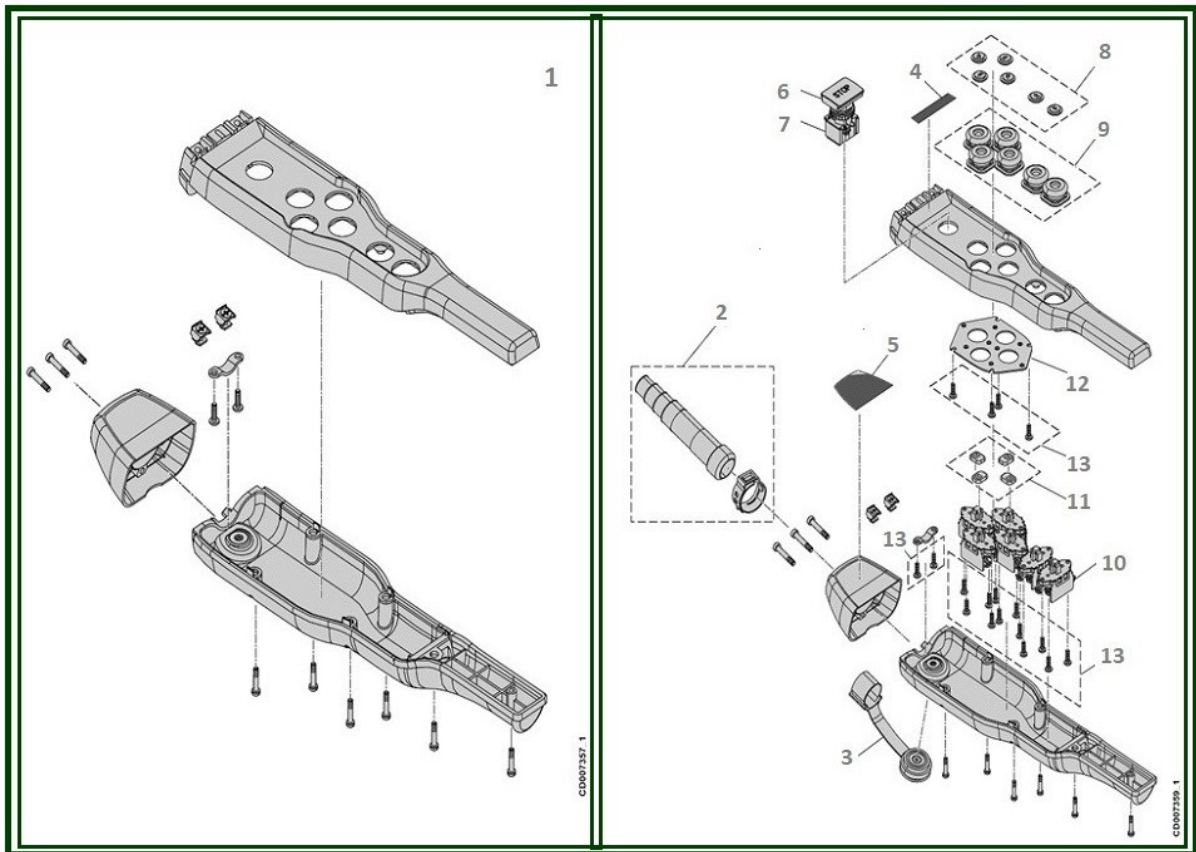
Push button controller - From september 2014

Item	Reference	Description	Observation	Quantity
1	VT0006495	Push button - 2HS+2TS+ES	Yellow - 4 buttons	1
1	VT0006493	Push button - 2HS+ES	Yellow - 2 buttons	1
2	VT0006509	Emergency push button		1
3	VT0006510	Emergency stop contact block		1
4	VT0006511	Rubber push button		1
5	VT0006513	Contact block	2 speeds	1
6	VT0006514	Set of 2 push buttons + contact block		1
7	VT0006754	Stickers - Direction symbols	ANSI	1
7	VT0006752	Stickers - Direction symbols	DIN	1
7	VT0006753	Stickers - Direction symbols	FIN-SEN	1
8	VT0006496	Branding sticker	VERLINDE	1
9	VT0006515	Pendant housing	Yellow - 2 buttons	1
9	VT0006518	Pendant housing	Yellow - 4 buttons	1
10	VT0006517	Magnet		1
10	VT0006516	End cap caoutchouc		1
11	VT0014221	Cable bushing		1
	VT0006958	Push buttons box + cable + plug 2HS+ES	2,20 m - Yellow - DIN	1
	VT0006951	Push buttons box + cable + plug 2HS+ES	2,70 m - Yellow - DIN	1
	VT0006952	Push buttons box + cable + plug 2HS+ES	3,20 m - Yellow - DIN	1
	VT0006953	Push buttons box + cable + plug 2HS+ES	3,70 m - Yellow - DIN	1
	VT0006954	Push buttons box + cable + plug 2HS+ES	4,20 m - Yellow - DIN	1
	VT0006955	Push buttons box + cable + plug 2HS+ES	4,70 m - Yellow - DIN	1
	VT0006956	Push buttons box + cable + plug 2HS+ES	5,20 m - Yellow - DIN	1
	VT0006957	Push buttons box + cable + plug 2HS+ES	5,70 m - Yellow - DIN	1

2 and 4 buttons ERGOMOVE - From September 2014

Item	Reference	Description	Observation	Quantity
	<u>VT0006959</u>	Push buttons box + cable + plug 2HS+2TS+ES	2,20 m - Yellow - DIN	1
	<u>VT0006966</u>	Push buttons box + cable + plug 2HS+2TS+ES	2,70 m - Yellow - DIN	1
	<u>VT0006960</u>	Push buttons box + cable + plug 2HS+2TS+ES	3,20 m - Yellow - DIN	1
	<u>VT0006961</u>	Push buttons box + cable + plug 2HS+2TS+ES	3,70 m - Yellow - DIN	1
	<u>VT0006962</u>	Push buttons box + cable + plug 2HS+2TS+ES	4,20 m - Yellow - DIN	1
	<u>VT0006963</u>	Push buttons box + cable + plug 2HS+2TS+ES	4,70 m - Yellow - DIN	1
	<u>VT0006964</u>	Push buttons box + cable + plug 2HS+2TS+ES	5,20 m - Yellow - DIN	1
	<u>VT0006965</u>	Push buttons box + cable + plug 2HS+2TS+ES	5,70 m - Yellow - DIN	1

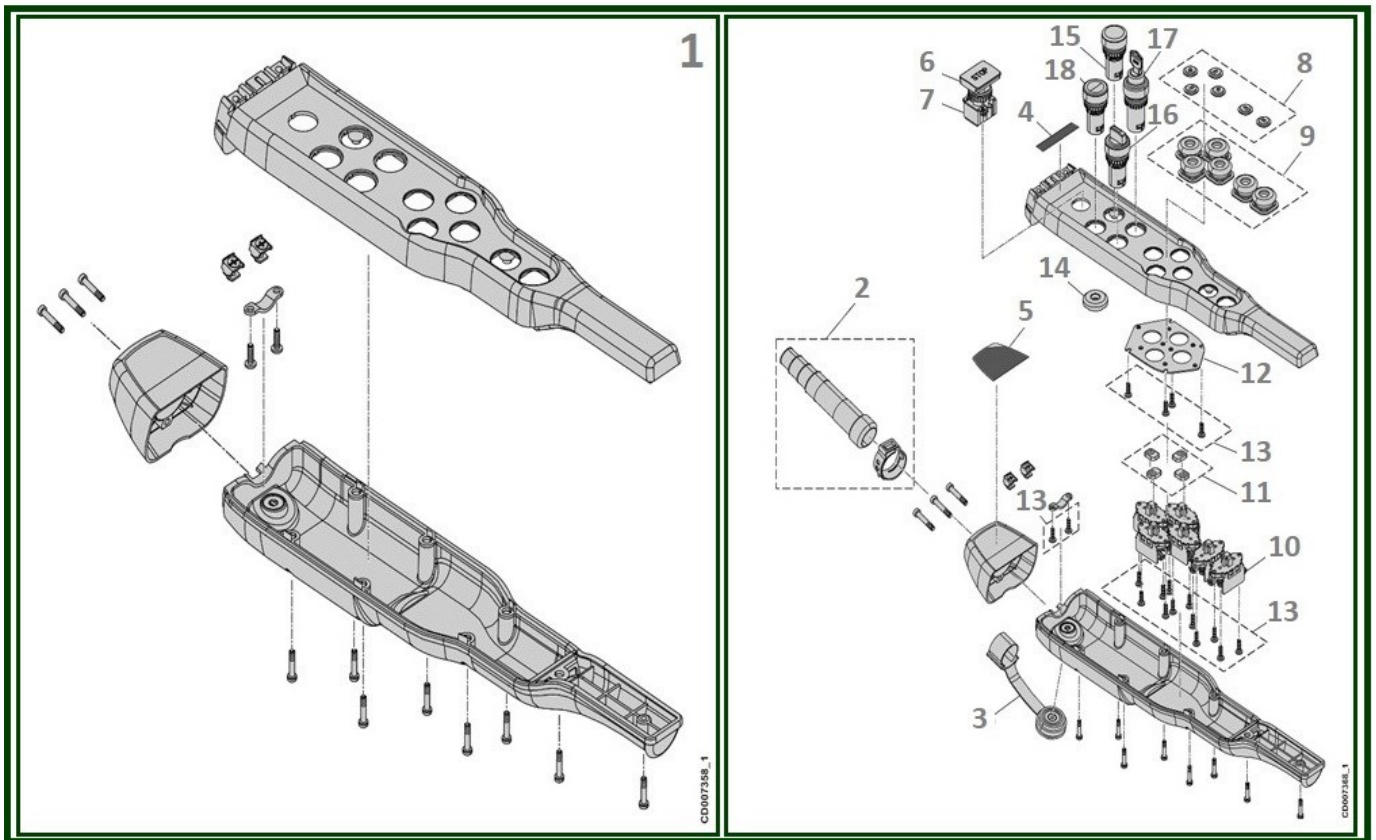
6.5. 6 buttons ERGOMOVE – From September 2014



6 buttons ERGOMOVE -From September 2014

Item	Reference	Description	Observation	Quantity
1	<u>VT0007106</u>	Pendant controller body	Yellow	1
1	<u>VT0013522</u>	Pendant controller body	Pendant controller body	1
2	<u>VT0007149</u>	Cable bushing		1
3	<u>VT0010787</u>	Magnet		1
5	<u>VT0007148</u>	Sticker	Logo	1
6	<u>VT0010757</u>	Emergency stop button		1
7	<u>VT0010788</u>	Contact block		1
8	<u>VT0007147</u>	Stickers - Direction symbols	ANSI	1
8	<u>VT0007145</u>	Stickers - Direction symbols	DIN	1
8	<u>VT0007146</u>	Stickers - Direction symbols	FIN	1
9	<u>VT0007102</u>	Push button		1
10	<u>VT0013419</u>	Contact block	Crane and Trolley control (Foward/Backward and Right/Left) 2-step	1
10	<u>VT0007100</u>	Contact block	Hoisting control (Up and Down) 2-step	1
11	<u>VT0007101</u>	Push button		1
12	<u>VT0007103</u>	Shape plate		1
13	<u>VT0007150</u>	Screws set		1

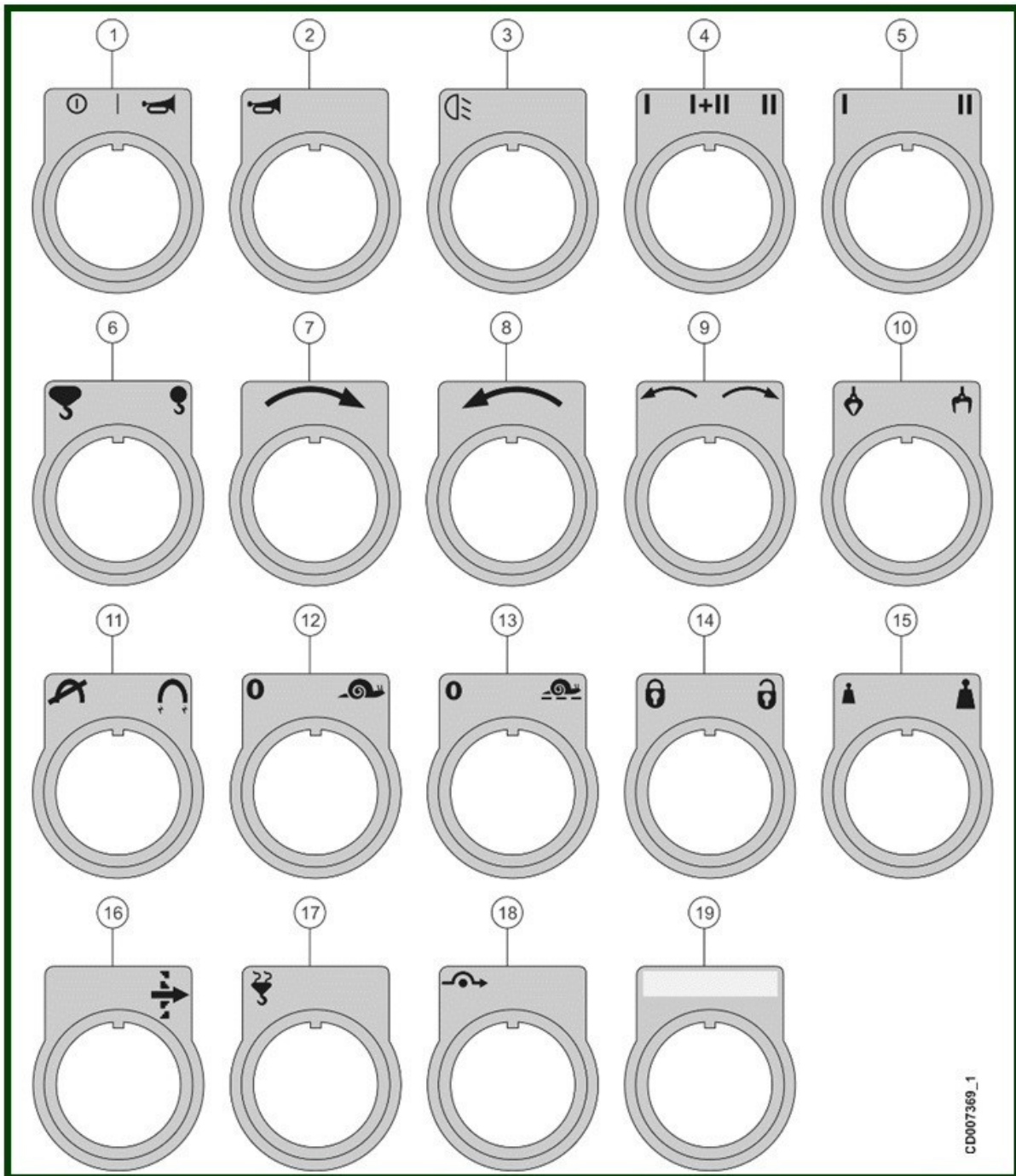
6.6. 10 buttons ERGOMOVE – From September 2014



10 buttons ERGOMOVE – From September 2014

Item	Reference	Description	Observation	Quantity
1	VT0007107	Pendant controller body	Yellow	1
1	VT0013416	Pendant controller body	Yellow	1
2	VT0007149	Cable bushing		1
3	VT0010787	Magnet		1
5	VT0007148	Sticker	Logo	1
6	VT0010757	Emergency stop button		1
7	VT0010788	Contact block		1
8	VT0007147	Stickers - Direction symbols	ANSI	1
8	VT0007145	Stickers - Direction symbols	DIN	1
8	VT0007146	Stickers - Direction symbols	FIN	1
9	VT0007102	Push button		1
10	VT0013419	Contact block – 2 steps	Crane and Trolley control (Foward/Backward and Right/Left)	4
10	VT0007100	Contact block – 2 steps	Hoisting control (Up and Down)	2
11	VT0007101	Push button		1
12	VT0007103	Shape plate		1
13	VT0007150	Screws set		1
14	VT0007109	Blanking plug		1
15	VT0007110	Push button		1
16	VT0010760	Selector without spring return to center	Switch 1-0-2	1
16	VT0010797	Selector switch	Switch 0-1	1
16	VT0007113	Selector switch	Switch 1-1+2-2	1
16	VT0007114	Selector switch	Switch 1-2	1
16	VT0010796	Selector switch with spring return to center	Switch 1-0-2	1
17	VT0010798	Position Key Selector	Switch 0-1	1
18	VT0010791	Pilot lamp 115 – Green		1
18	VT0010792	Pilot lamp 115V - Red		1
18	VT0010793	Pilot lamp 115V – Yellow		1
18	VT0010794	Pilot lamp 230V - Green		1
18	VT0010759	Pilot lamp 230V - Red		1
18	VT0010795	Pilot lamp 230V - Yellow		1
18	VT0010789	Pilot lamp - 48V - Green		1
	VT0010758	Pilot lamp - 48V – Red		1
	VT0010790	Pilot lamp - 48V - Yellow		1

6.7. 10 buttons ERGOMOVE – Option pendant label

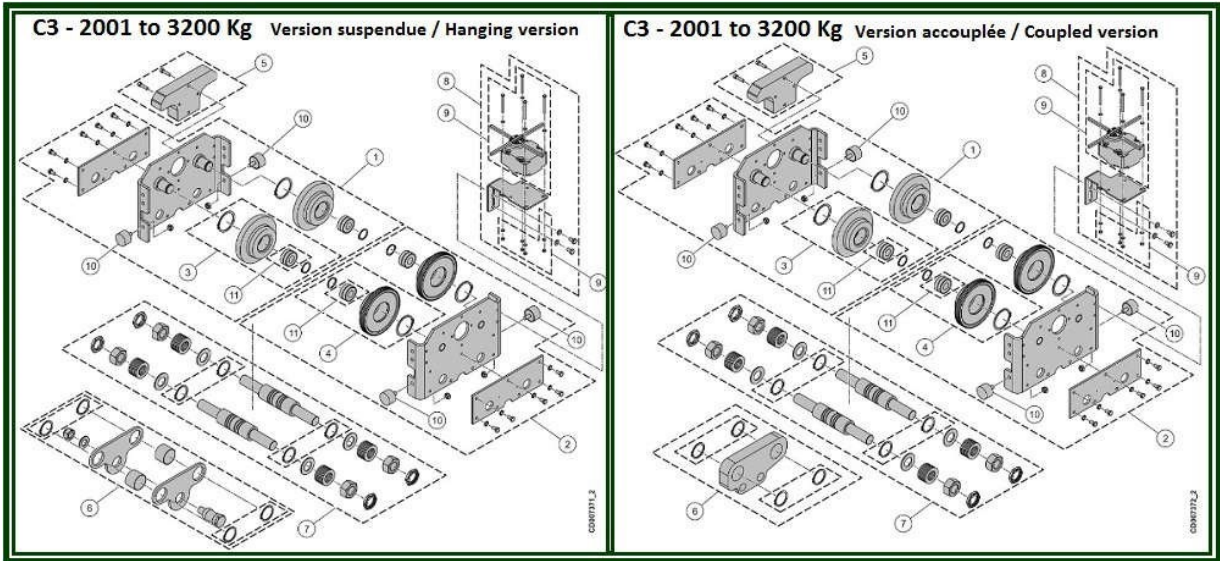


10 buttons ERGOMOVE – Option pendant label

Item	Reference	Description	Observation	Quantity
1	<u>VT0007126</u>	Pendant label - Start + Horn		1
2	<u>VT0007127</u>	Pendant label - Horn		1
3	<u>VT0007128</u>	Pendant label - Light		1
4	<u>VT0007129</u>	Pendant label - Hoist selector I,I+II, II		1
5	<u>VT0007130</u>	Pendant label - Hoist selector I, II		1
6	<u>VT0007131</u>	Pendant label - Hook selection		1
7	<u>VT0007132</u>	Pendant label - Rotate right		1
8	<u>VT0007133</u>	Pendant label - Rotate left		1
9	<u>VT0007134</u>	Pendant label - Rotate left / light		1
10	<u>VT0007135</u>	Pendant label - Close and open		1
11	<u>VT0007136</u>	Pendant label - Magnet OFF / On		1
12	<u>VT0007137</u>	Pendant label - Microspeed		1
13	<u>VT0007138</u>	Pendant label - Microspeed		1
14	<u>VT0007139</u>	Pendant label - Lock / unlock		1
15	<u>VT0007140</u>	Pendant label - Load limiter		1
16	<u>VT0007141</u>	Pendant label - Restricted area		1
17	<u>VT0007142</u>	Pendant label - Slack rope		1
18	<u>VT0007143</u>	Pendant label - Bypass		1
19	<u>VT0007144</u>	Blank pendant label		1

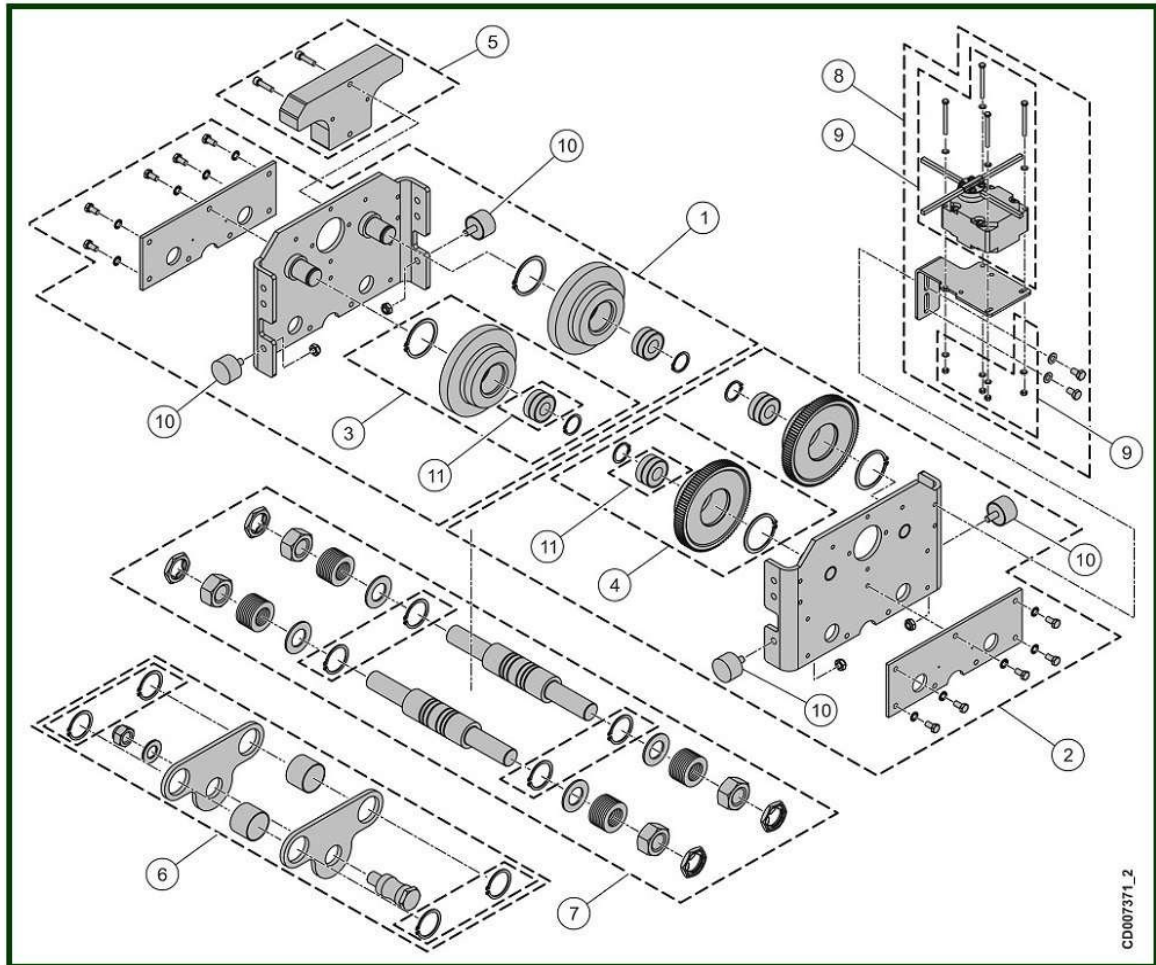
7. NORMAL HEADROOM TROLLEY

NHT



7.1. C3 trolley - 2001 to 3200 kg - Hanging version

NHT



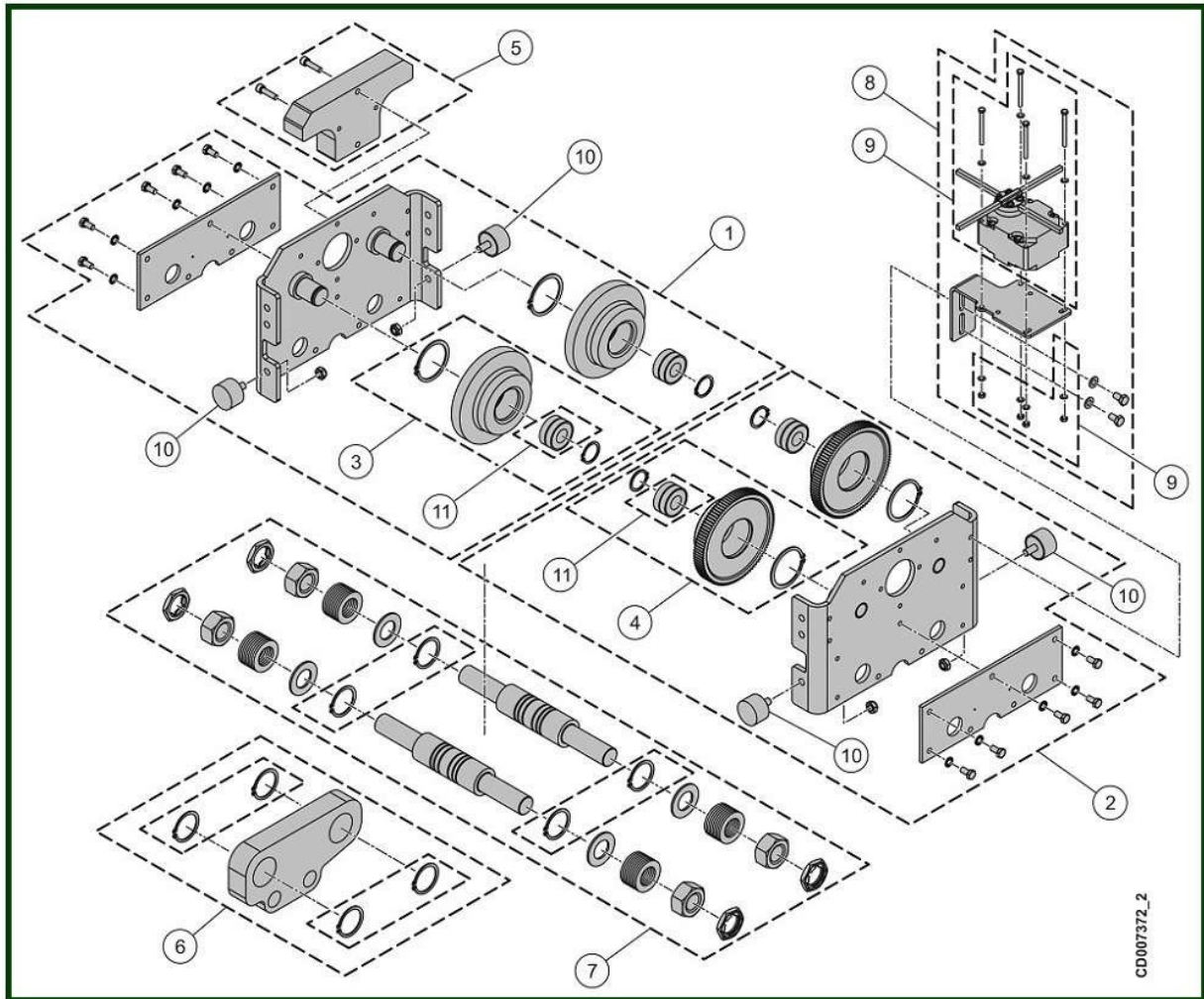
C3 trolley- 2001 TO 3200 kg - Hanging version

NHT

Item	Reference	Description	Observation	Quantity
1	<u>VT0007092</u>	Idler side plate assembly		1
2	<u>VT0007093</u>	Drive side plate assembly		1
3	<u>VT0008782</u>	Travel wheel idler without shaft		1
4	<u>VT0008783</u>	Driving wheel without shaft		1
5	<u>VT0008837</u>	Set of counterweight		1
6	<u>VT0007094</u>	Joint part	Hanging version	1
7	<u>VT0007040</u>	Tie rod set beam - 82 to 137 mm	Monobloc tie road since 1999	1
7	<u>VT0007041</u>	Tie rod set beam - 140 to 190 mm	Monobloc tie road since 1999	1
7	<u>VT0007042</u>	Tie rod set beam - 198 to 248 mm	Monobloc tie road since 1999	1
7	<u>VT0007043</u>	Tie rod set beam - 260 to 310 mm	Monobloc tie road since 1999	1
7	<u>VT0008785</u>	Tie rod set beam - 311 to 350 mm	Monobloc tie road since 1999	1
8	<u>VT0007098</u>	Limit switch - 1 step		1
8	<u>VT0008775</u>	Limit switch - 2 steps		1
9	<u>VT0008776</u>	Travelling limit switch assembly - 1 step		1
9	<u>VT0008777</u>	Travelling limit switch assembly - 2 steps		1
10	<u>VT0007088</u>	Rubber buffer	40X20 M10	1
11	<u>VT0008786</u>	Ball bearing	C3	1

7.2. C3 trolley - 2001 to 3200 kg - Coupled version

NHT



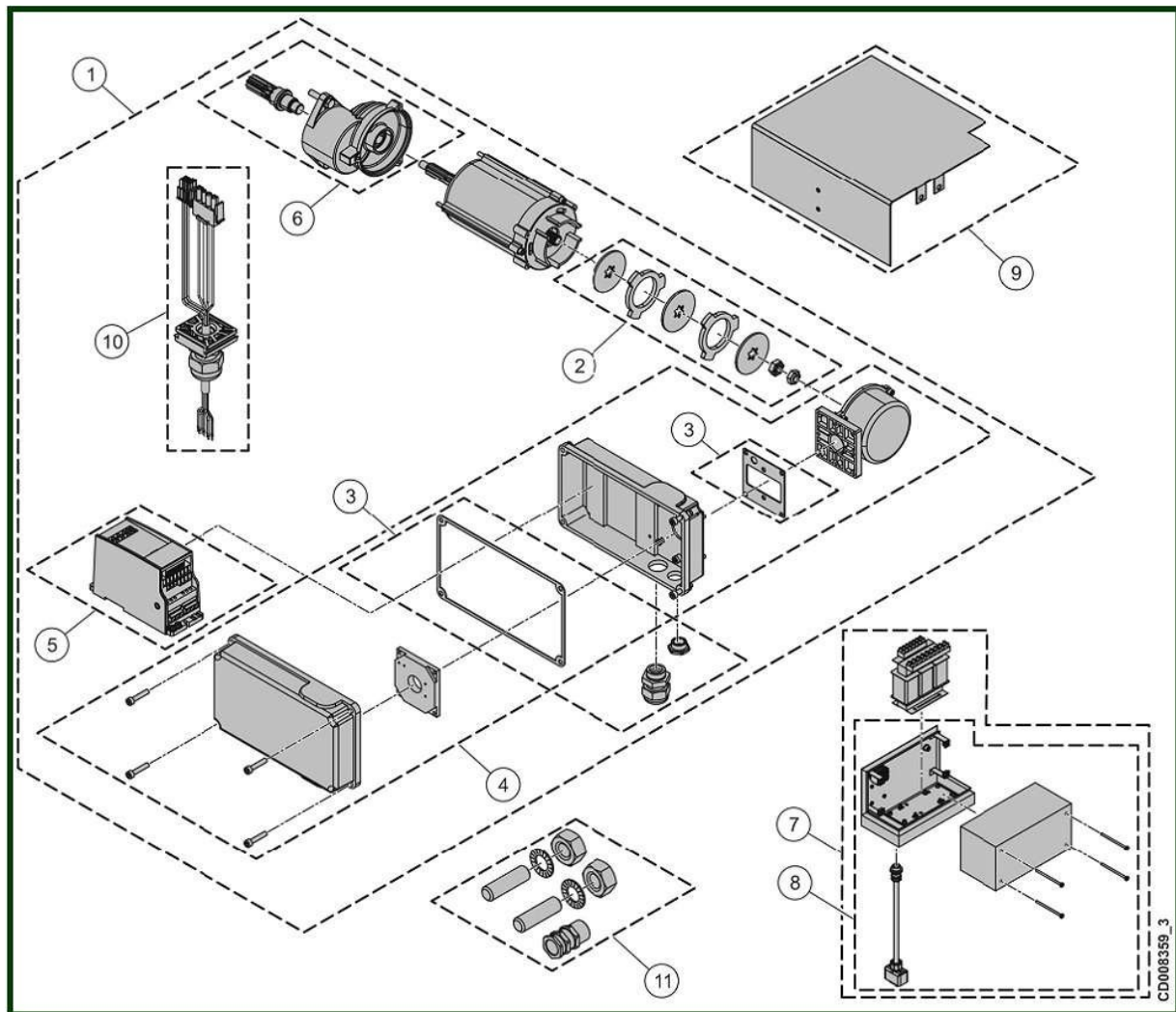
CD007372_2

C3 trolley - 2001 à 3200 kg - Coupled version

NHT

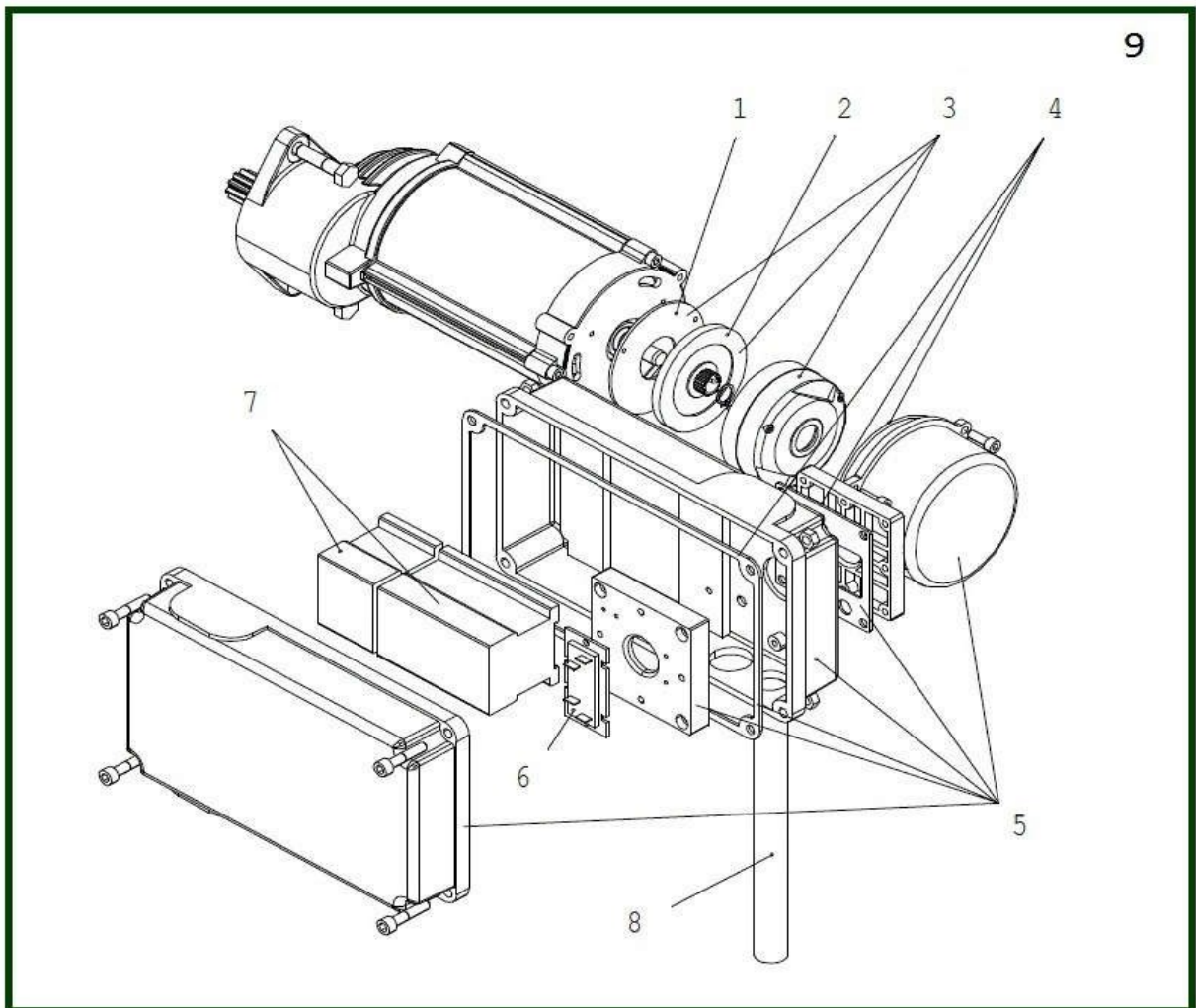
Item	Reference	Description	Observation	Quantity
1	<u>VT0007092</u>	Idler side plate assembly		1
2	<u>VT0007093</u>	Drive side plate assembly		1
3	<u>VT0008782</u>	Travel wheel idler without shaft		1
4	<u>VT0008783</u>	Driving wheel without shaft		1
5	<u>VT0008837</u>	Set of counterweight		1
6	<u>VT0007714</u>	Joint part	Coupled version	1
7	<u>VT0007040</u>	Tie rod set beam - 82 to 137 mm	Monobloc tie road since 1999	1
7	<u>VT0007041</u>	Tie rod set beam - 140 to 190 mm	Monobloc tie road since 1999	1
7	<u>VT0007042</u>	Tie rod set beam - 198 to 248 mm	Monobloc tie road since 1999	1
7	<u>VT0007043</u>	Tie rod set beam - 260 to 310 mm	Monobloc tie road since 1999	1
7	<u>VT0008785</u>	Tie rod set beam - 311 to 350 mm	Monobloc tie road since 1999	1
8	<u>VT0007098</u>	Limit switch - 1 step		1
8	<u>VT0008775</u>	Limit switch - 2 steps		1
9	<u>VT0008776</u>	Travelling limit switch assembly - 1 step		1
9	<u>VT0008777</u>	Travelling limit switch assembly - 2 steps		1
10	<u>VT0007088</u>	Rubber buffer	40X20 M10	1
11	<u>VT0008786</u>	Ball bearing	C3	1

7.3. Inverter TMU motor



Item	Reference	Description	Observation	Quantity
1	52890308	Travelling machinery - TMU1	42-230V < 1000 Kg	1
1	52890306	Travelling machinery - TMU2	42-230V > 1000 Kg to 2000	1
2	52296293	Brake repair Set	M06-001V	1
3	52300292	Sealing set	M06-008V	1
4	52907130	Housing set (without vario)	M06-022V	1
5	52387783	Inverter VT003 TMK003.380 460V/ ctrl 42 230V	Since january 2015 for motor already equipped of this inverter	1
6	52297191	Gear	GEL105PT1B0	1
7	52303806	Control panel	T50E-TE07	1
8	53050878	Housing set	UKTM/ALTM-NEW	1
9	52305058	Rain cover	All models C1 to C5	1
10	53110165	Connection cable	TMU 1&2	1
11	52908158	Fixing set		1

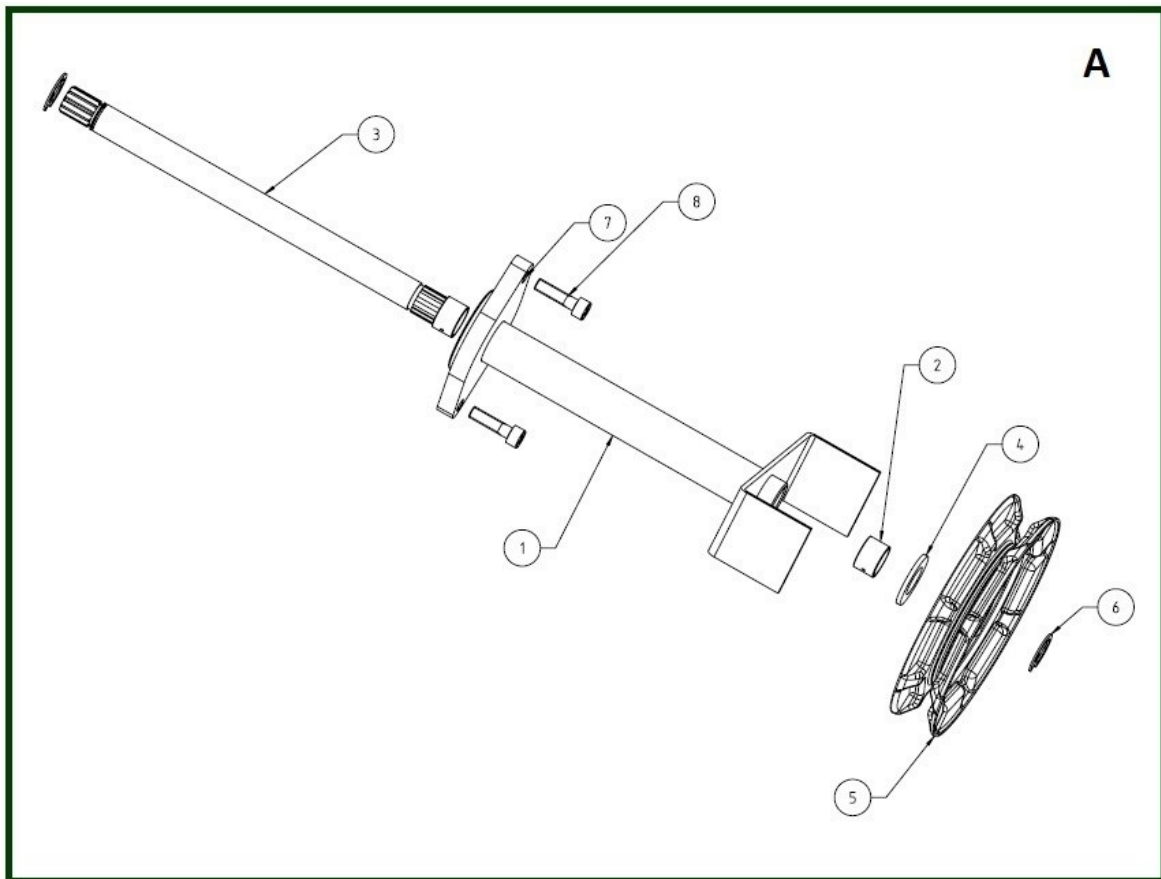
7.4. Two speeds TMU motor



Two speeds TMU motor

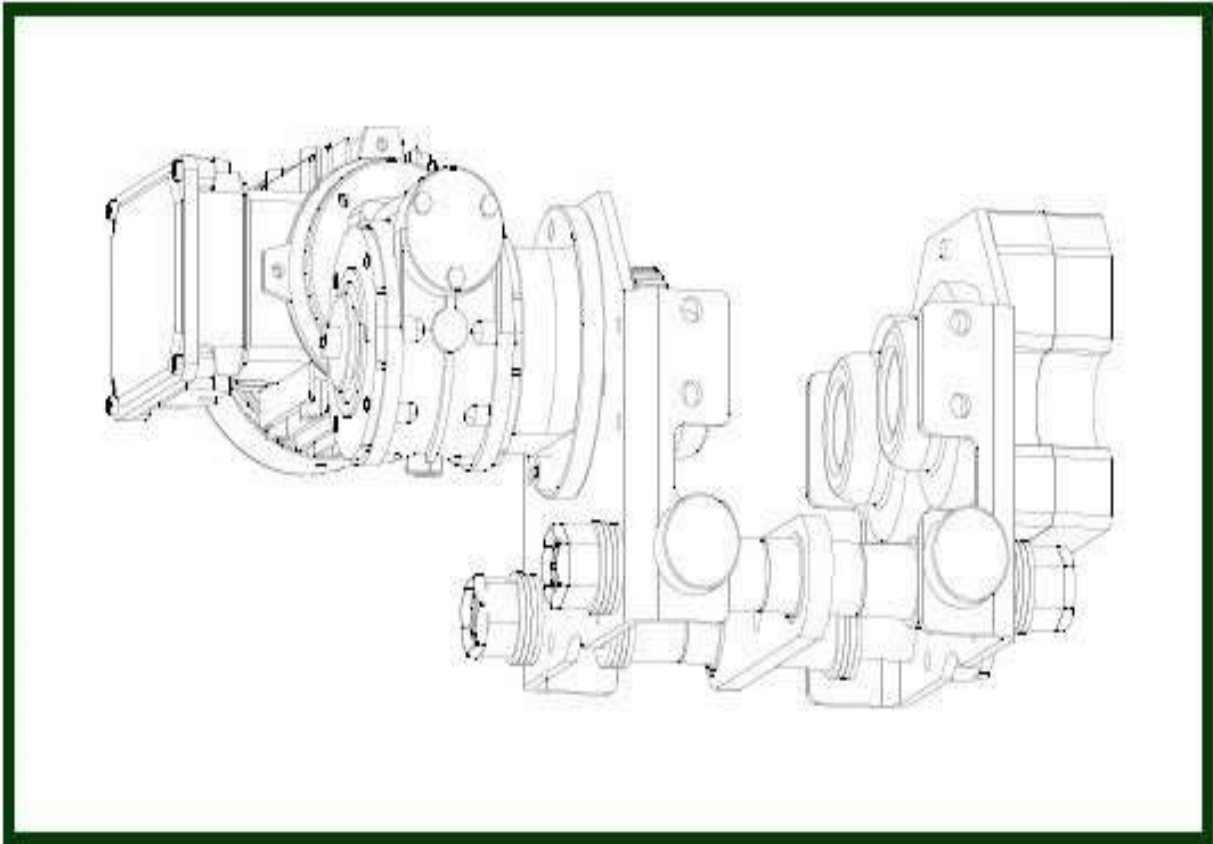
Item	Reference	Description	Observation	Quantity
1	52269590	Friction plate		1
2	52269587	Brake disc		1
3	52318378	Brake disc - 180V	MF06MA104	1
3	52318416	Brake disc - 240V	MF06MA104	1
3	52318424	Brake disc - 290V	MF06MA104	1
4	52300292	Sealing set	M06-008V	1
5	52300291	Terminal box	M06-007V	1
6	15823007	Rectifier	Motor220V	1
6	15823006	Rectifier	Motor380 à 550V	1
7	1123052	Reversing contactor	110V	1
7	1113097	Reversing contactor	230V	1
7	1113023	Reversing contactor 400V/48V - LC2ECO9E	LC2ECO9E (7531023V) Hoisting cross travelling	1
7	1113098	Main contactor KAU	230 V 50/60 Hz	1
7	1113021	Selector contactor	48V	1
7	1123050	Selector contactor	110V	1
8	53243829	Connection cable	TMU 1&2	1
9	52782175	TMU motor 2 speeds	230V/48V 50 Hz	1
9	52782173	TMU motor 2 speeds	230V/115V 60 Hz - Standard	1
9	52782176	TMU motor 2 speeds	400V/48V 50 Hz	1
9	52782171	TMU motor 2 speeds	460V/115V 60 Hz - Standard	1
9	52782177	TMU motor 2 speeds	500V/48V 50 Hz	1
9	52782172	TMU motor 2 speeds	575V/115V 60 Hz - Standard	1
-	52305058	Rain cover	All models C1 to C5	1

7.5. Chain travel



Item	Reference	Description	Observations	Quantity
1	53155221	CHM shaft		1
2	52845788	Radial sliding bearing		1
3	53155216	Axle		1
4	52294797	Plain washer		1
5	52724779	Travelling hand wheel - Ø 165 mm		1
6	52846624	Circlips D.20X1.2mm		1
7	52738485	Contact washer		1
8	52286823	Screw M8x30	DIN912	1
	820003	Galvanized chain - 5x27.1		1
	53020194	Precut galvanized chain - 5x27.1		M
A	53155441	Chain operated manual travelling	For C1 to C5	1

7.6. Right angle motor



Item	Reference	Description	Observation	Quantity
	<u>551037</u>	Cubicle + Mac 2 pcb		1
	<u>2216904</u>	GMR adaptation set for right angle motor	Pinion, flange, screws	1
	<u>556972</u>	Right angle travelling machinery	Speed 10 & 2.5m/min For C1-C2-C3	1
	<u>2133033</u>	CI board	2CS - MAC	1