

Spare parts catalogue for "VR25"

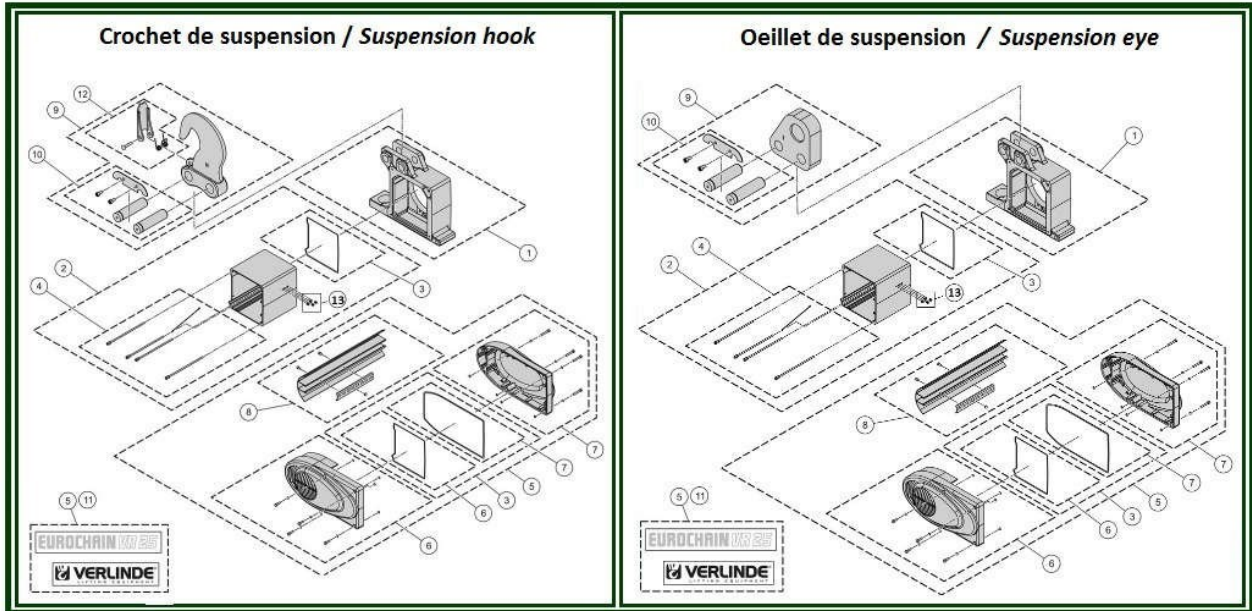
To avoid errors, when ordering please specify:

- Complete type of hoist
- Date of manufacture and serial number
- Spare part code
- Spare part designation
- Additional information

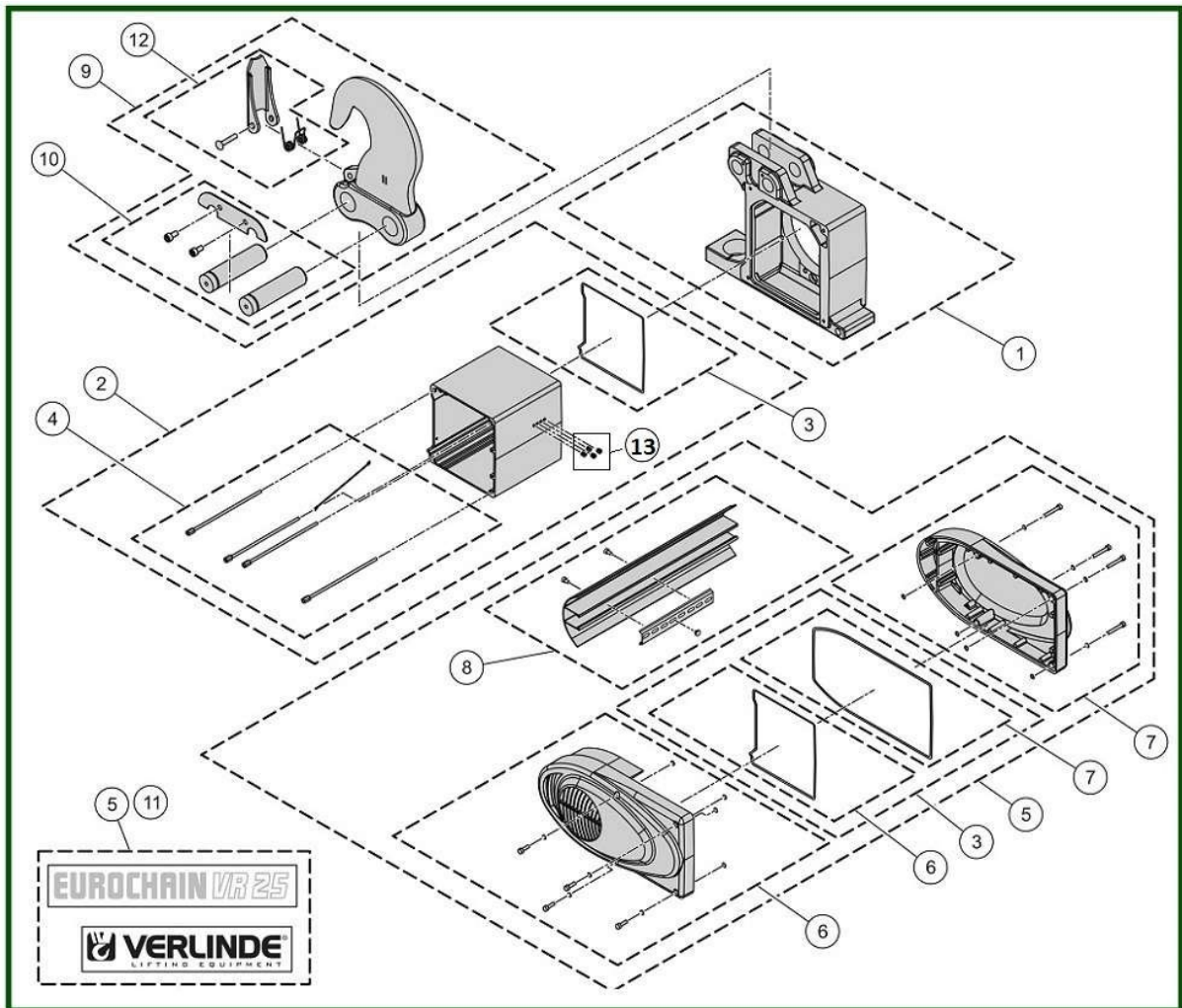


1.	FRAME	3
1.1.	Suspension hook.....	4
1.2.	Suspension eye	6
2.	CHAIN GUIDE - 11.3x31	8
2.1.	Chain guide – 1 fall - Standard limit switch	9
2.2.	Chain guide - 1 fall - Gear limit switch	11
2.3.	Chain guide - 2 falls - Standard limit switch.....	13
2.4.	Chain guide - 2 falls - Gear limit switch	15
2.5.	Chain guide – 3 & 4 falls	17
3.	GEAR.....	18
3.1.	Single brake	19
3.2.	Double brakes.....	21
4.	MOTOR- Single brake & Double brakes	23
5.	ELECTRICAL PARTS.....	25
5.1.	Solo equipment – Standard	26
5.2.	Equipment for crane kit	30
6.	PUSH BUTTON CONTROLLER	33
6.1.	2 buttons.....	34
6.2.	4 buttons.....	36
6.3.	6 buttons.....	38
6.4.	2 and 4 Buttons – ERGOMOVE - From September 2014	39
6.5.	6 Buttons – ERGOMOVE - From September 2014	41
6.6.	10 Buttons – ERGOMOVE - From September 2014	43
6.7.	10 Buttons – ERGOMOVE – Option pendant label	45
7.	NORMAL HEADROOM TROLLEY	47
7.1.	C3 trolley- 2001 to 3200 kg - Hanging version.....	48
7.2.	C3 trolley- 2001 à 3200 kg - Coupled version	50
7.3.	C5 trolley- 3200 to 5000 kg - Coupled version	52
7.4.	Inverter TMU motor	54
7.5.	TMU motor 2 speeds	55
7.6.	Chain travel.....	57
7.7.	Right angle motor	58
8.	LOW HEADROOM TROLLEY.....	59
8.1.	LHT - 1 fall	60
8.2.	LHT - 2 falls.....	63

1. FRAME



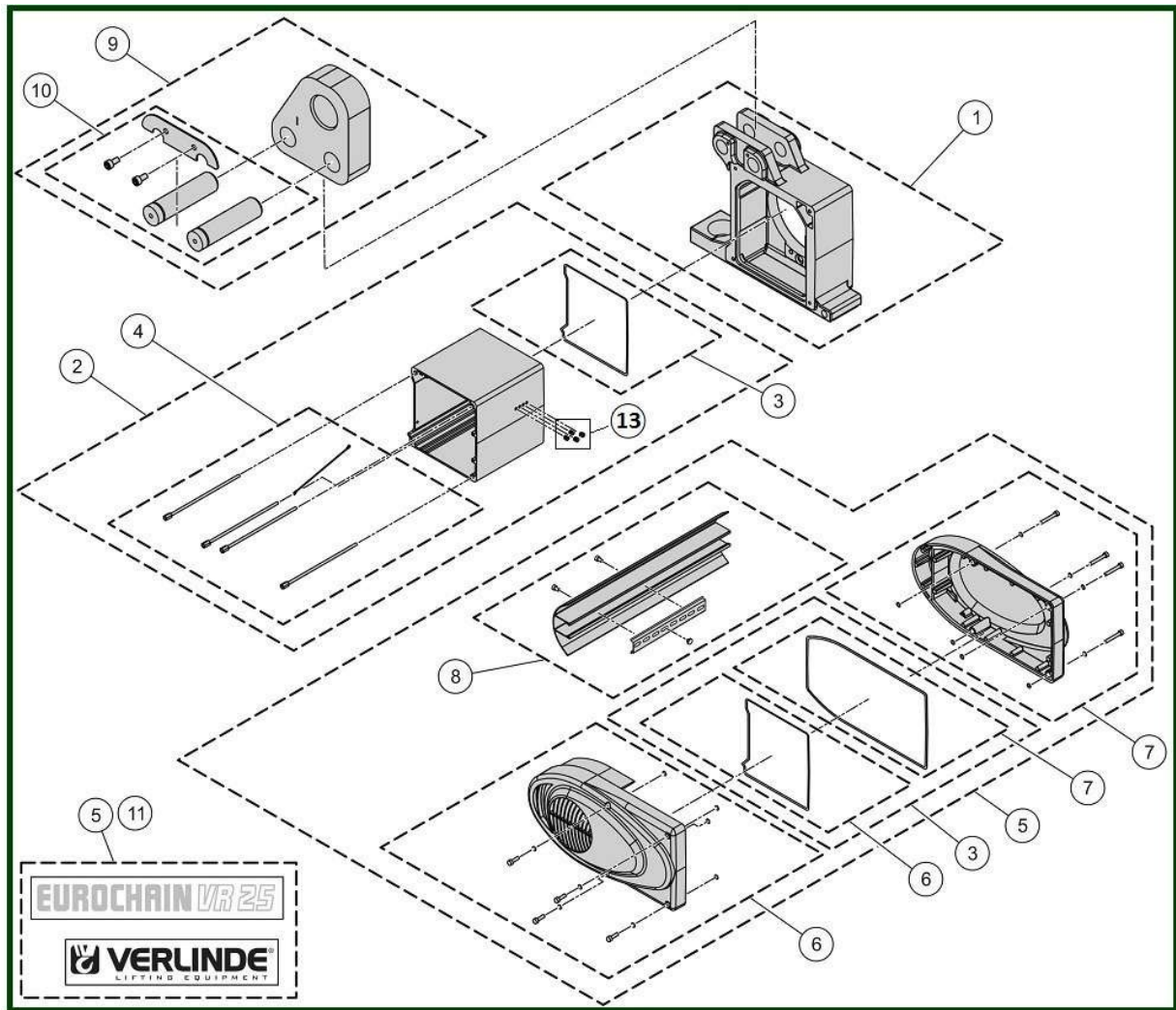
1.1. Suspension hook



Suspension hook

Item	Reference	Description	Observation	Quantity
1	<u>VT0006574</u>	Flange housing	Standard limit switch	1
2	<u>VT0006575</u>	Electrical housing	Standard limit switch	1
3	<u>VT0006576</u>	Sealings set		1
4	<u>VT0006577</u>	Screws set - M6L207		1
5	<u>VT0007820</u>	Cover	Double brakes- VERLINDE	1
5	<u>VT0006578</u>	Cover	Single brake- VERLINDE	1
6	<u>VT0006579</u>	Cover set - Motor side	VERLINDE	1
7	<u>VT0006580</u>	Cover set - Brake side	VERLINDE	1
8	<u>VT0006581</u>	Cover set - Front side	VERLINDE	1
9	<u>VT0006583</u>	Suspension hook		1
10	<u>VT0006584</u>	Fixing set		1
11	<u>VT0006585</u>	Stickers of brand	VERLINDE	1
12	<u>VT0005902</u>	Safety latch		1
13	<u>VT0006090</u>	Set of 4 plugs	OPTION: Gear Limit Switch	1
	<u>VT0006050</u>	Set of 10 load plates - Hoist	1000 Kg	1
	<u>VT0006051</u>	Set of 10 load plates - Hoist	1250 Kg	1
	<u>VT0006052</u>	Set of 10 load plates - Hoist	1600 Kg	1
	<u>VT0006053</u>	Set of 10 load plates - Hoist	2000 Kg	1
	<u>VT0006054</u>	Set of 10 load plates - Hoist	2500 Kg	1
	<u>VT0007817</u>	Set of 10 load plates - Hoist	3200 Kg	1
	<u>VT0007818</u>	Set of 10 load plates - Hoist	4000 Kg	1
	<u>VT0007819</u>	Set of 10 load plates - Hoist	5000 Kg	1
	<u>VT0006026</u>	Identification plate	Serial number request	1
	<u>VT0007637</u>	Rain cover		1

1.2. Suspension eye

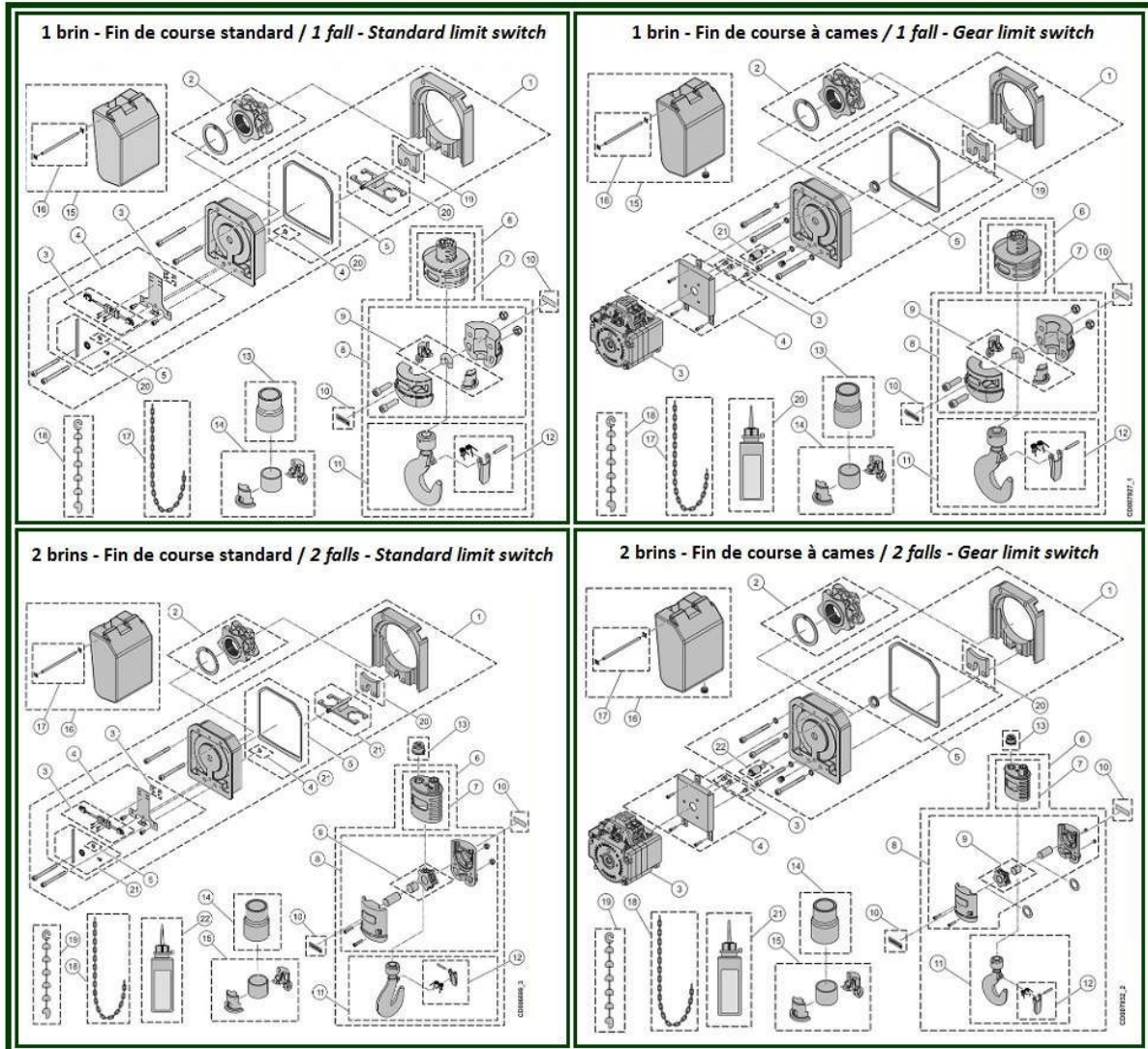


Suspension eye

Item	Reference	Description	Observation	Quantity
1	<u>VT0006574</u>	Flange housing	Standard limit switch	1
2	<u>VT0006575</u>	Electrical housing	Standard limit switch	1
3	<u>VT0006576</u>	Sealings set		1
4	<u>VT0006577</u>	Screws set - M6L207		1
5	<u>VT0007820</u>	Cover	Double brakes- VERLINDE	1
5	<u>VT0006578</u>	Cover	Single brake- VERLINDE	1
6	<u>VT0006579</u>	Cover set - Motor side	VERLINDE	1
7	<u>VT0006580</u>	Cover set - Brake side	VERLINDE	1
8	<u>VT0006581</u>	Cover set - Front side	VERLINDE	1
9	<u>VT0006582</u>	Suspension eye		1
10	<u>VT0006584</u>	Fixing set		1
11	<u>VT0006585</u>	Stickers of brand	VERLINDE	1
13	<u>VT0006090</u>	Set of 4 plugs	OPTION: Gear Limit Switch	1
	<u>VT0006050</u>	Set of 10 load plates - Hoist	1000 Kg	1
	<u>VT0006051</u>	Set of 10 load plates - Hoist	1250 Kg	1
	<u>VT0006052</u>	Set of 10 load plates - Hoist	1600 Kg	1
	<u>VT0006053</u>	Set of 10 load plates - Hoist	2000 Kg	1
	<u>VT0006054</u>	Set of 10 load plates - Hoist	2500 Kg	1
	<u>VT0007817</u>	Set of 10 load plates - Hoist	3200 Kg	1
	<u>VT0007818</u>	Set of 10 load plates - Hoist	4000 Kg	1
	<u>VT0007819</u>	Set of 10 load plates - Hoist	5000 Kg	1
	<u>VT0006026</u>	Identification plate	Serial number request	1
	<u>VT0007637</u>	Rain cover		1

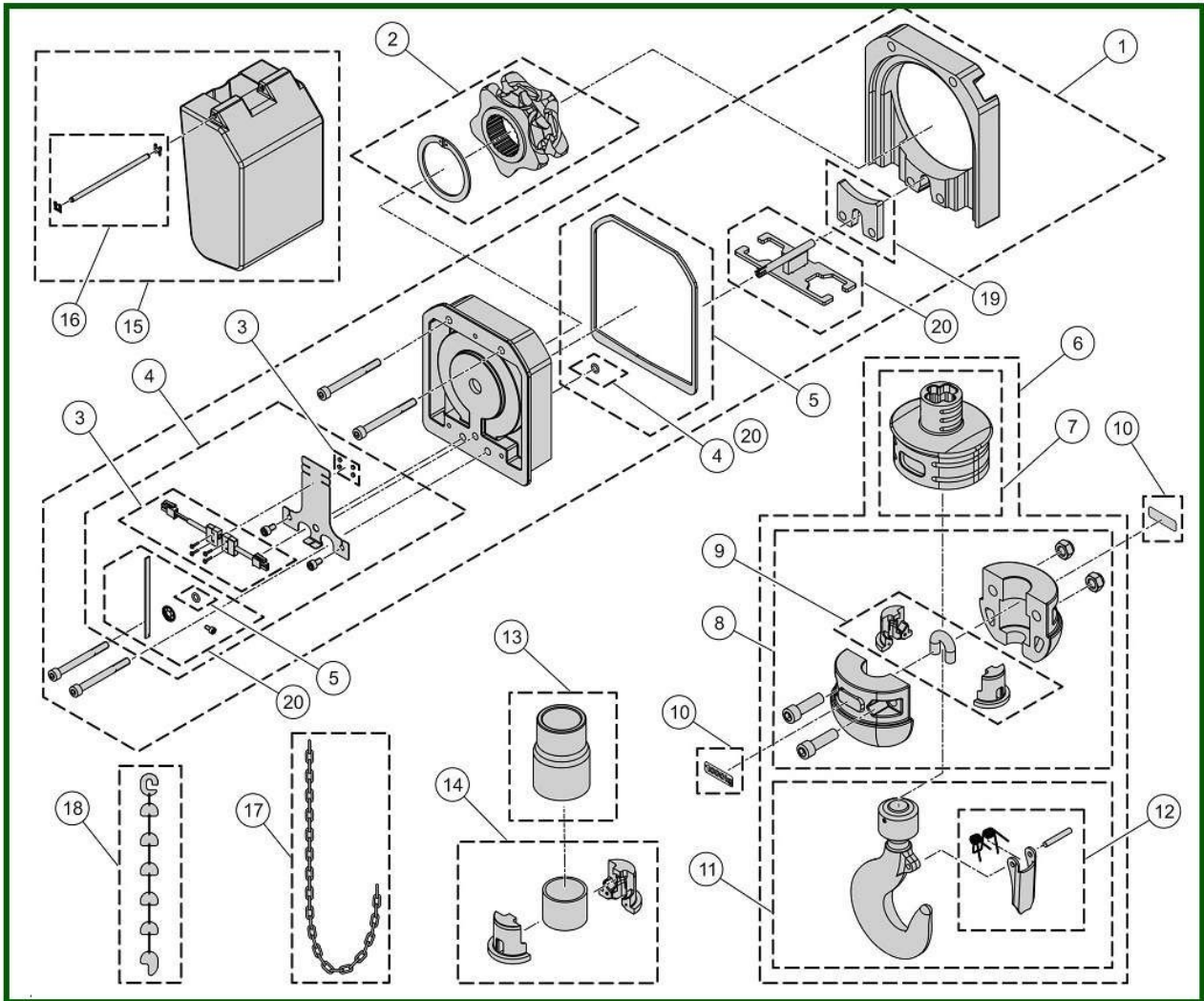
2. CHAIN GUIDE - 11.3x31

It is not possible to fit MS & GLS together



2.1. Chain guide – 1 fall - Standard limit switch

Chain 11.3x31

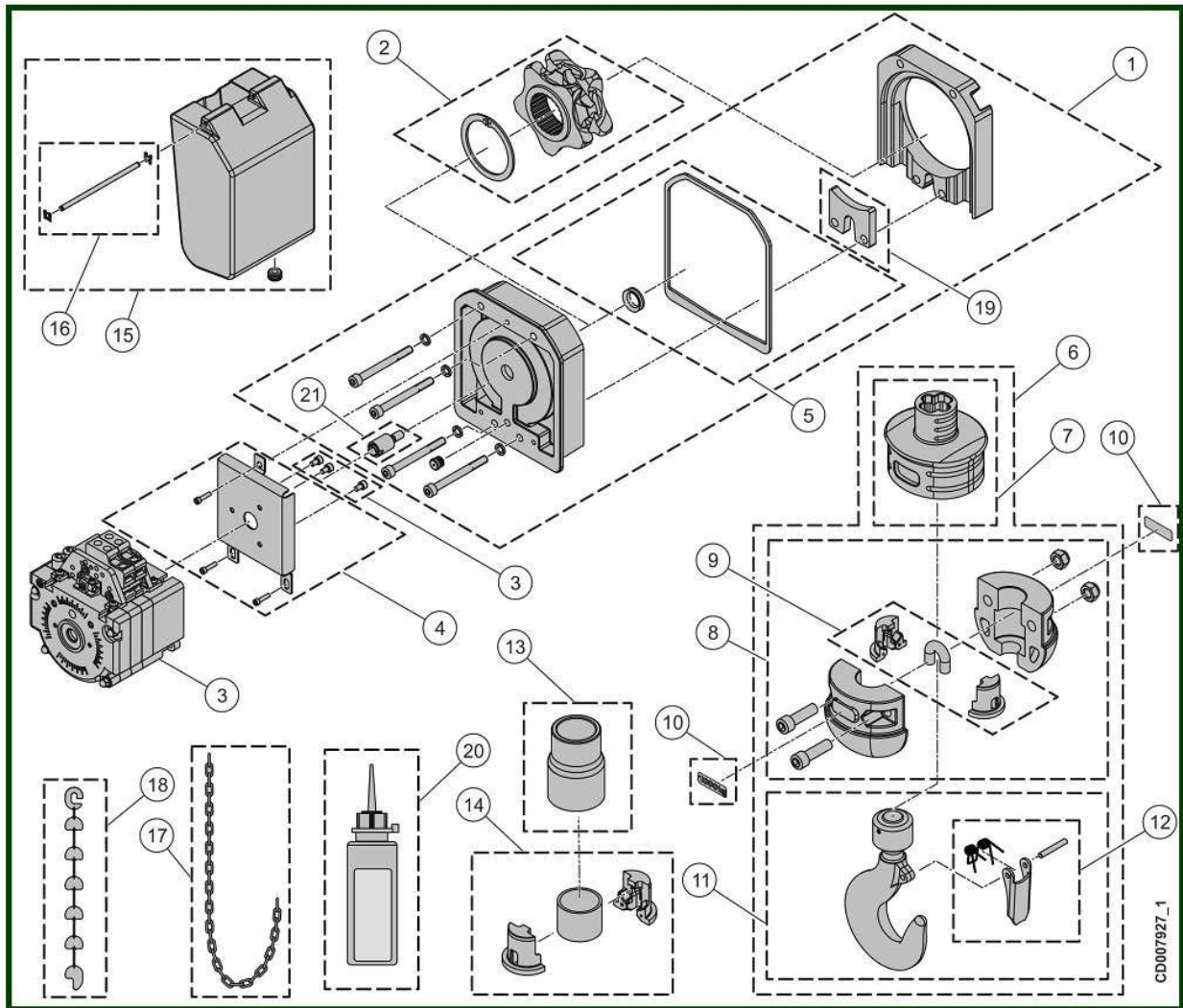


Chain guide - 1 fall - Standard limit switch

Item	Reference	Description	Observation	Quantity
1	<u>VT0006586</u>	Chain guide - Chain 11.3x31	Standard limit switch	1
2	<u>VT0006587</u>	Chain sprocket	1 & 2 falls	1
3	<u>VT0006588</u>	Switch set		1
4	<u>VT0006589</u>	Limit switch activator		1
5	<u>VT0006590</u>	Sealings set		1
6	<u>VT0007821</u>	Hook block - 1 fall	Automatic hook	1
6	<u>VT0006591</u>	Hook block - 1 fall	Standard hook assembly	1
7	<u>VT0006592</u>	Rubber chain stop	L120W108H95	1
8	<u>VT0006593</u>	Half casing set		1
9	<u>VT0006594</u>	Shaft		1
10	<u>VT0006595</u>	Set of 10 load plates - Hook	800 Kg	1
10	<u>VT0006596</u>	Set of 10 load plates - Hook	1000 Kg	1
10	<u>VT0006597</u>	Set of 10 load plates - Hook	1600 Kg	1
10	<u>VT0006598</u>	Set of 10 load plates - Hook	2000 Kg	1
10	<u>VT0006599</u>	Set of 10 load plates - Hook	2500 Kg	1
11	<u>VT0006519</u>	Automatic hook assembly	BKT-10-10	1
11	<u>VT0006600</u>	Standard hook assembly		1
12	<u>VT0005902</u>	Safety latch		1
13	<u>VT0006601</u>	Rubber chain stop		1
14	<u>VT0006602</u>	Chain stop		1
15	<u>VT0006603</u>	Chain bucket set	12 m	1
15	<u>VT0007223</u>	Chain bucket set	30 m	1
15	<u>VT0007822</u>	Chain bucket set	50 m	1
16	<u>VT0006604</u>	Fixing set - Chain bucket	12 m	1
16	<u>VT0007049</u>	Fixing set - Chain bucket	30 m & 50 m	1
17	<u>VT0006605</u>	Galvanized chain 11.3x31		1
17	<u>VT0009329</u>	Stainless steel chain 11.3x31		1
18	<u>VT0006606</u>	Chain tools		1
19	<u>VT0006607</u>	Ejector		1
20	<u>VT0006608</u>	Activator set		1
21	<u>VT0006025</u>	Oil can		1

2.2. Chain guide - 1 fall - Gear limit switch

Chain 11.3x31

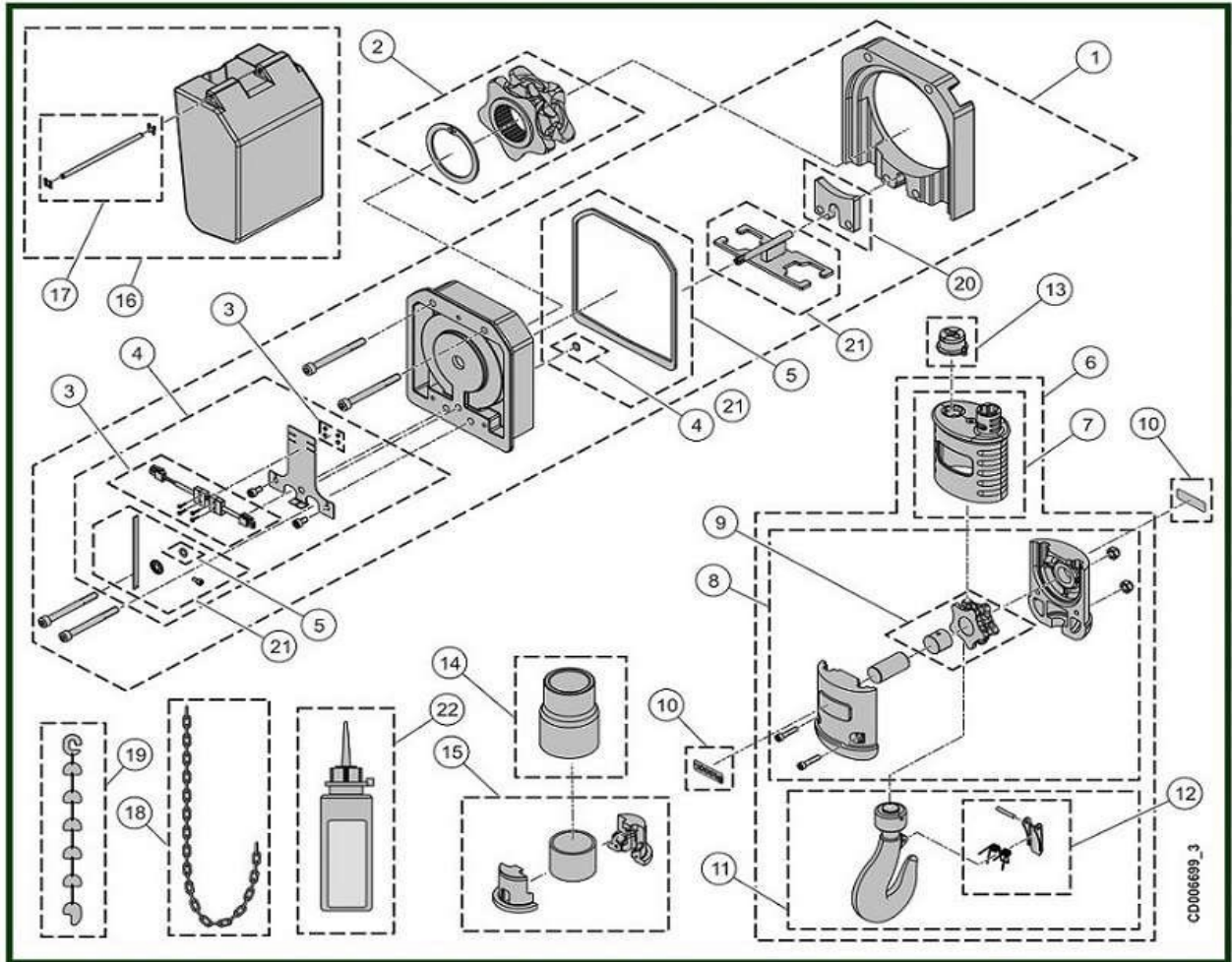


Chain guide - 1 fall - Gear limit switch

Item	Reference	Description	Observation	Quantity
1	<u>VT0008046</u>	Chain guide - Chain 11.3x31	Gear limit switch	1
2	<u>VT0006587</u>	Chain sprocket	1 & 2 falls	1
3	<u>VT0006113</u>	Rotating limit switch - 2 steps	56m: 1 fall - 28m: 2 falls	1
3	<u>VT0006252</u>	Rotating limit switch - 4 steps	56m: 1 fall - 28m: 2 falls	1
4	<u>VT0008047</u>	Limit switch activator		1
5	<u>VT0008048</u>	Sealings set		1
6	<u>VT0007821</u>	Hook block - 1 fall	Automatic hook	1
6	<u>VT0006591</u>	Hook block - 1 fall	Standard hook assembly	1
7	<u>VT0006592</u>	Rubber chain stop	L120W108H95	1
8	<u>VT0006593</u>	Half casing set		1
9	<u>VT0006594</u>	Shaft		1
10	<u>VT0006595</u>	Set of 10 load plates - Hook	800 Kg	1
10	<u>VT0006596</u>	Set of 10 load plates - Hook	1000 Kg	1
10	<u>VT0006597</u>	Set of 10 load plates - Hook	1600 Kg	1
10	<u>VT0006598</u>	Set of 10 load plates - Hook	2000 Kg	1
10	<u>VT0006599</u>	Set of 10 load plates - Hook	2500 Kg	1
11	<u>VT0006519</u>	Automatic hook assembly	BKT-10-10	1
11	<u>VT0006600</u>	Standard hook assembly	VR12 : 2 falls VR25 : 1 fall	1
12	<u>VT0005902</u>	Safety latch		1
13	<u>VT0006601</u>	Rubber chain stop		1
14	<u>VT0006602</u>	Chain stop		1
15	<u>VT0006603</u>	Chain bucket set	12 m	1
15	<u>VT0007223</u>	Chain bucket set	30 m	1
15	<u>VT0007822</u>	Chain bucket set	50 m	1
16	<u>VT0006604</u>	Fixing set - Chain bucket	12 m	1
16	<u>VT0007049</u>	Fixing set - Chain bucket	30 m & 50 m	1
17	<u>VT0006605</u>	Galvanized chain 11.3x31		1
17	<u>VT0009329</u>	Stainless steel chain 11.3x31		1
18	<u>VT0006606</u>	Chain tools		1
19	<u>VT0006607</u>	Ejector		1
20	<u>VT0006025</u>	Oil can		1
21	<u>VT0008045</u>	Geared limit switch		1

2.3. Chain guide - 2 falls - Standard limit switch

Chain 11.3x31



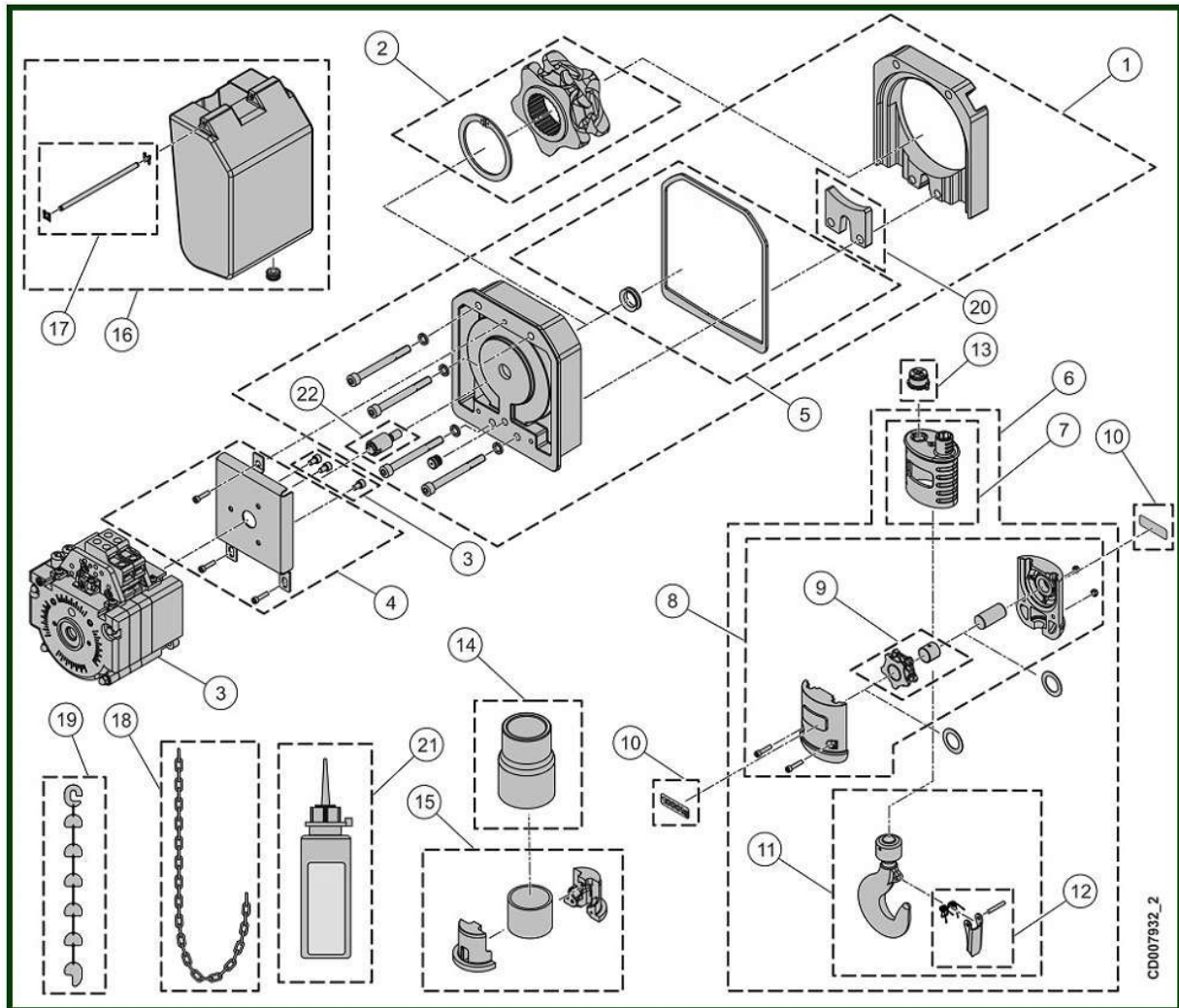
Chain guide - 2 falls - Standard limit switch

Chain 11.3x31

Item	Reference	Description	Observation	Quantity
1	VT0006586	Chain guide - Chain 11.3x31	Standard limit switch	1
2	VT0006587	Chain sprocket	1 & 2 falls	1
3	VT0006588	Switch set		1
4	VT0006589	Limit switch activator		1
5	VT0006590	Sealings set		1
6	VT0007823	Hook block - 2 falls	Automatic hook	1
6	VT0006609	Hook block - 2 falls	Standard hook assembly	1
7	VT0006610	Rubber chain stop		1
8	VT0006611	Half casing set		1
9	VT0006612	Chain sprocket		1
10	VT0007824	Set of 10 load plates - Hook	3200 Kg	1
10	VT0007825	Set of 10 load plates - Hook	4000 Kg	1
10	VT0007826	Set of 10 load plates - Hook	5000 Kg	1
11	VT0007832	Automatic hook assembly		1
11	VT0006613	Standard hook assembly		1
12	VT0005902	Safety latch		1
13	VT0006614	Fixing module		1
14	VT0006601	Rubber chain stop		1
15	VT0006602	Chain stop		1
16	VT0006603	Chain bucket	12 m	1
16	VT0007223	Chain bucket	30 m	1
16	VT0007822	Chain bucket	50 m	1
17	VT0006604	Fixing set - Chain bucket	12 m	1
17	VT0007049	Fixing set - Chain bucket	30 m & 50 m	1
18	VT0006605	Galvanized chain 11.3x31		1
18	VT0009329	Stainless steel chain 11.3x31		1
19	VT0006606	Chain tools		1
20	VT0006607	Ejector		1
21	VT0006608	Activator set		1
22	VT0006025	Oil can		1

2.4. Chain guide - 2 falls - Gear limit switch

Chain 11.3x31



CD007932_2

Chain guide - 2 falls - Gear limit switch

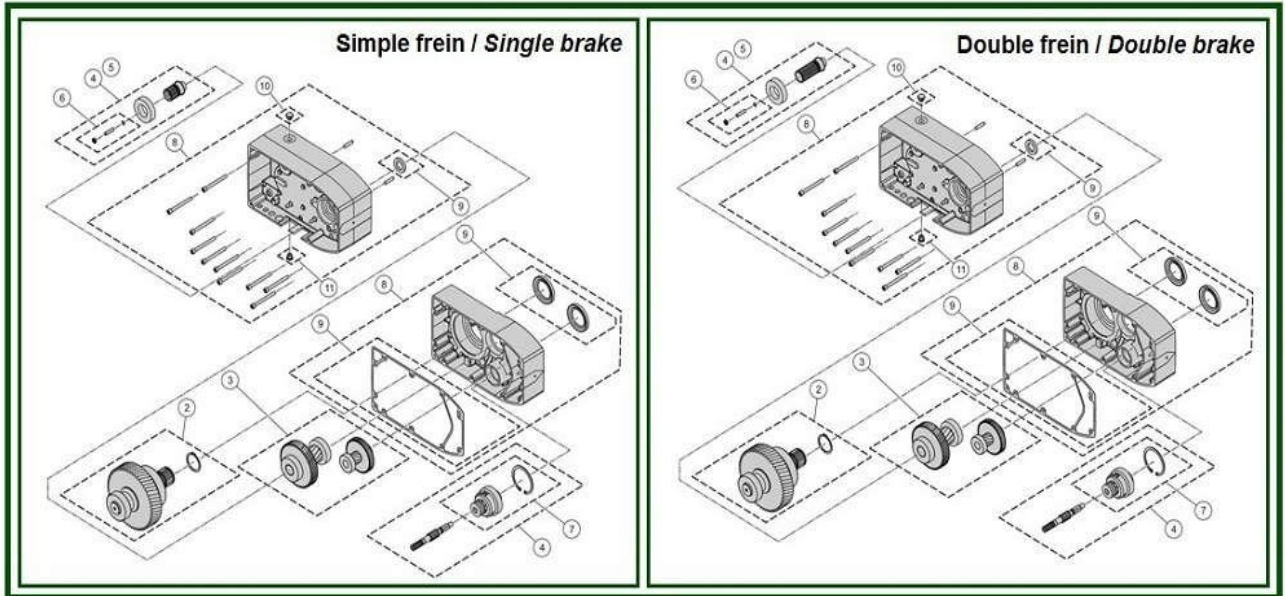
Chain 11.3x31

Item	Reference	Description	Observation	Quantity
1	<u>VT0008046</u>	Chain guide - Chain 11.3x31	Gear limit switch	1
2	<u>VT0006587</u>	Chain sprocket	1 & 2 falls	1
3	<u>VT0006113</u>	Rotating limit switch - 2 steps	56m: 1 fall - 28m: 2 falls	1
3	<u>VT0006252</u>	Rotating limit switch - 4 steps	56m: 1 fall - 28m: 2 falls	1
4	<u>VT0008047</u>	Limit switch activator		1
5	<u>VT0008048</u>	Sealings set		1
6	<u>VT0007823</u>	Hook block - 2 falls	Automatic hook	1
6	<u>VT0006609</u>	Hook block - 2 falls	Standard hook assembly	1
7	<u>VT0006610</u>	Rubber chain stop		1
8	<u>VT0006611</u>	Half casing set		1
9	<u>VT0006612</u>	Chain sprocket		1
10	<u>VT0007824</u>	Set of 10 load plates - Hook	3200 Kg	1
10	<u>VT0007825</u>	Set of 10 load plates - Hook	4000 Kg	1
10	<u>VT0007826</u>	Set of 10 load plates - Hook	5000 Kg	1
11	<u>VT0007832</u>	Automatic hook assembly		1
11	<u>VT0006613</u>	Standard hook assembly		1
12	<u>VT0005902</u>	Safety latch		1
13	<u>VT0006614</u>	Fixing module		1
14	<u>VT0006601</u>	Rubber chain stop		1
15	<u>VT0006602</u>	Chain stop		1
16	<u>VT0006603</u>	Chain bucket set	12 m	1
16	<u>VT0007223</u>	Chain bucket set	30 m	1
16	<u>VT0007822</u>	Chain bucket set	50 m	1
17	<u>VT0006604</u>	Fixing set - Chain bucket	12 m	1
17	<u>VT0007049</u>	Fixing set - Chain bucket	30 m & 50 m	1
18	<u>VT0006605</u>	Galvanized chain 11.3x31		1
18	<u>VT0009329</u>	Stainless steel chain 11.3x31		1
19	<u>VT0006606</u>	Chain tools		1
20	<u>VT0006607</u>	Ejector		1
21	<u>VT0006025</u>	Oil can		1
22	<u>VT0008045</u>	Geared limit switch		1

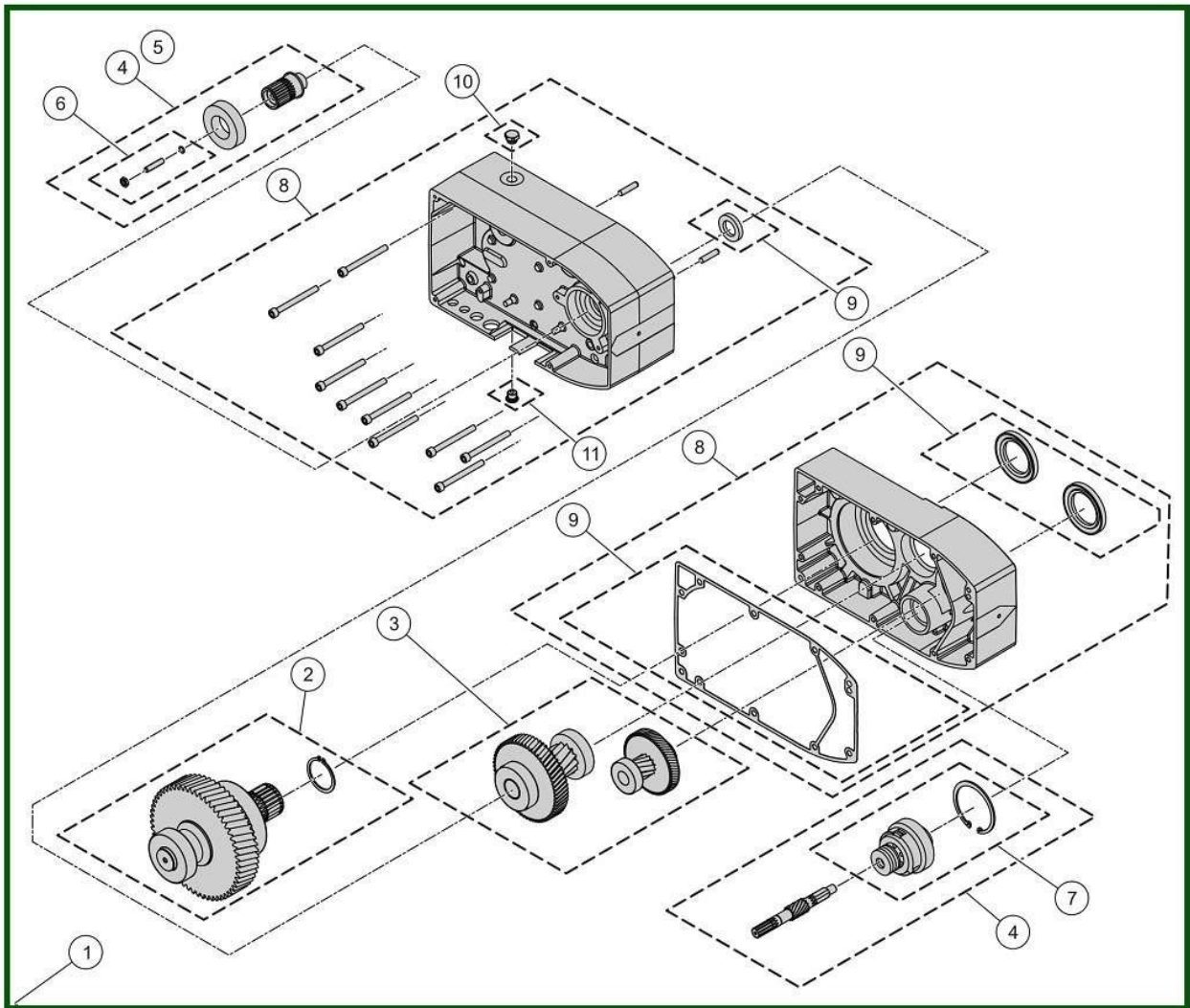
2.5. Chain guide – 3 & 4 falls

Item	Reference	Description	Observation	Quantity
2	<u>VT0017821</u>	Chain sprocket	3 & 4 falls	1

3. GEAR



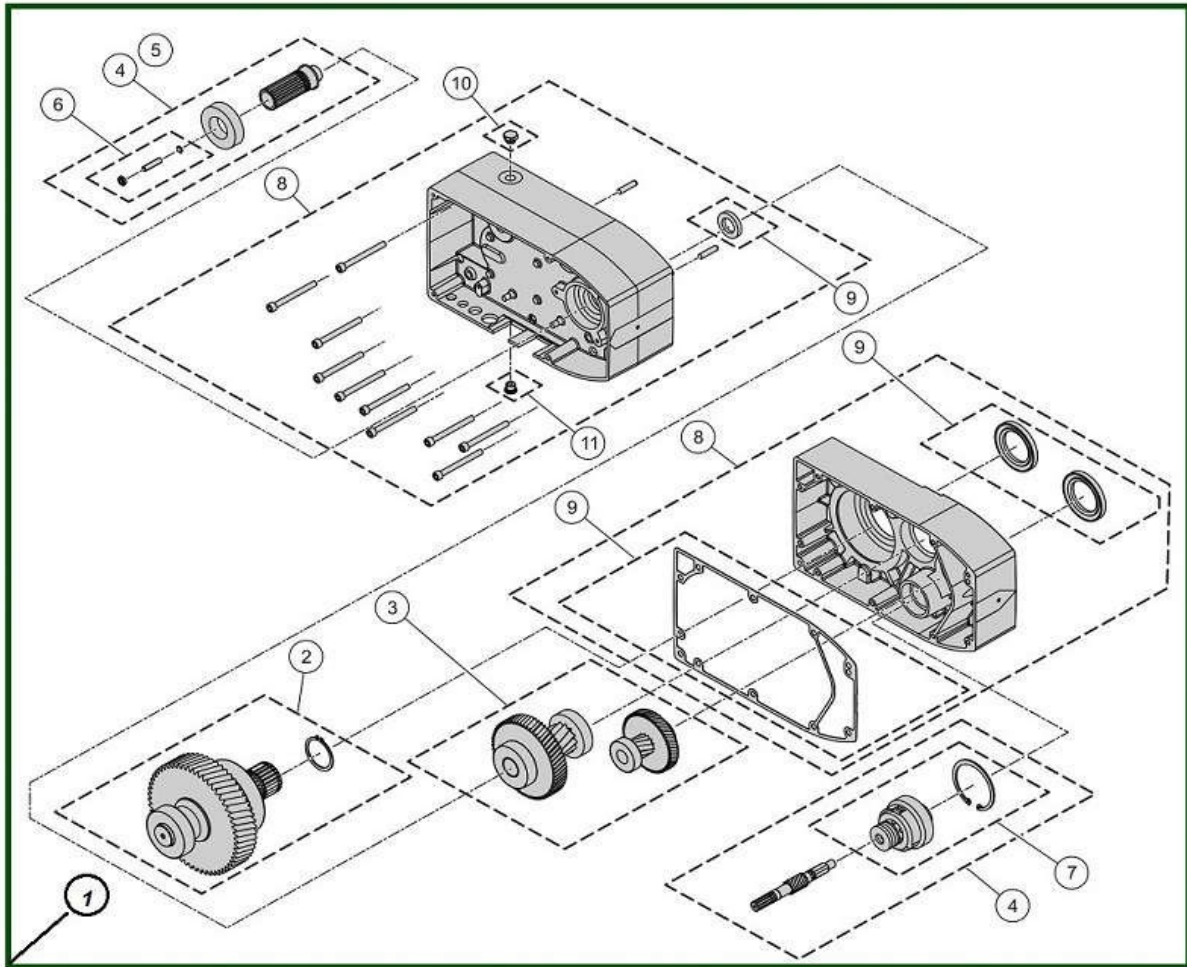
3.1. Single brake



Single brake

Item	Reference	Description	Observation	Quantity
1	<u>VT0006617</u>	Gear assembly- Single brake	4m/min: 2 falls 8m/min: 1 fall	1
1	<u>VT0006618</u>	Gear assembly- Single brake	6,3 m/min: 2 falls 12,5 m/min: 1 fall	1
1	<u>VT0006619</u>	Gear assembly- Single brake	16 m/min	1
1	<u>VT0006620</u>	Gear assembly- Single brake	20 m/min	1
2	<u>VT0006625</u>	Primary gear - pinion set		1
3	<u>VT0006627</u>	Second gear pinion set	6,3 m/min: 2 falls 12,5 m/min: 1 fall	1
3	<u>VT0006628</u>	Second gear pinion set	16 m/min	1
3	<u>VT0006629</u>	Second gear pinion set	20 m/min	1
3	<u>VT0006626</u>	Second gear pinion set	4m/min: 2 falls 8m/min: 1 fall	1
4	<u>VT0006630</u>	Gear shaft with clutch	Single brake	1
5	<u>VT0006632</u>	Coupling - Brake side	Single brake	1
6	<u>VT0006634</u>	Screw set		1
7	<u>VT0006635</u>	Clutch set		1
8	<u>VT0006636</u>	Frame		1
9	<u>VT0006637</u>	Sealing set		1
10	<u>VT0006638</u>	Breather		1
11	<u>VT0006639</u>	End cap		1
-	<u>VT0006615</u>	Oil can gearbox VR	ATF320 02=0.25l /05=0.23l /10=0.60l /16=1.42l /25=2,00	2

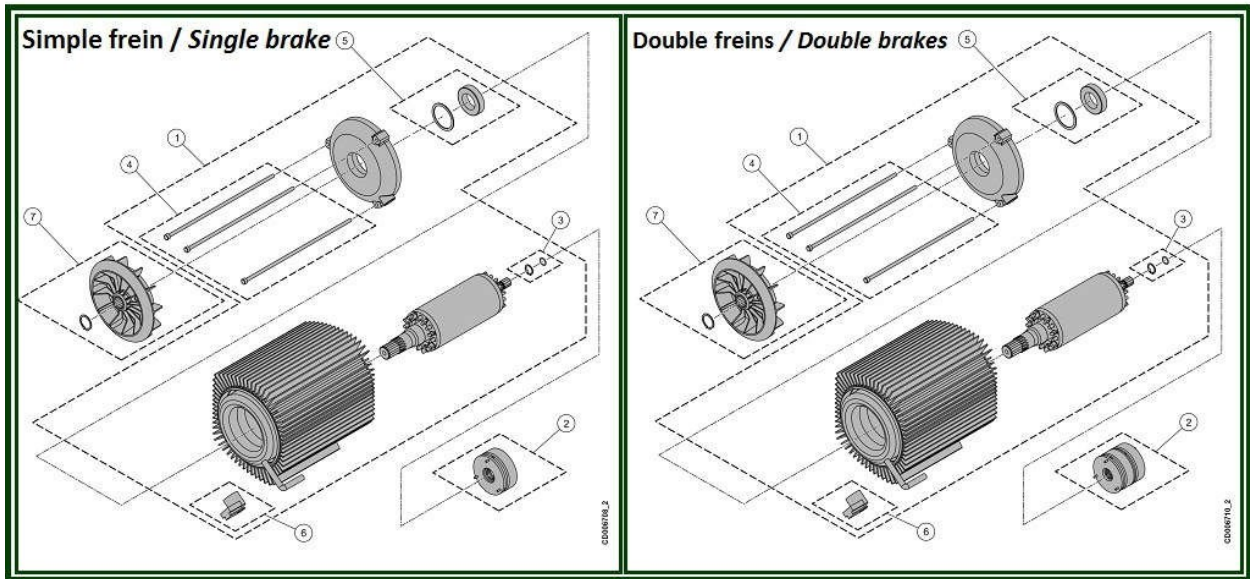
3.2. Double brakes



Double brakes

Item	Reference	Description	Observation	Quantity
1	<u>VT0006621</u>	Gear assembly - Double brakes	4m/min: 2 falls 8m/min: 1 fall	1
1	<u>VT0006622</u>	Gear assembly - Double brakes	6,3 m/min: 2 falls 12,5 m/min: 1 fall	1
1	<u>VT0006623</u>	Gear assembly - Double brakes	16 m/min	1
1	<u>VT0006624</u>	Gear assembly - Double brakes	20 m/min	1
2	<u>VT0006625</u>	Primary gear - pinion set		1
3	<u>VT0006627</u>	Second gear pinion set	6,3 m/min: 2 falls 12,5 m/min: 1 fall	1
3	<u>VT0006628</u>	Second gear pinion set	16 m/min	1
3	<u>VT0006629</u>	Second gear pinion set	20 m/min	1
3	<u>VT0006626</u>	Second gear pinion set	4m/min: 2 falls 8m/min: 1 fall	1
4	<u>VT0006631</u>	Gear shaft with clutch	Double brakes	1
5	<u>VT0006633</u>	Coupling - Brake side	Double brakes	1
6	<u>VT0006634</u>	Screw set		1
7	<u>VT0006635</u>	Clutch set		1
8	<u>VT0006636</u>	Frame		1
9	<u>VT0006637</u>	Sealing set		1
10	<u>VT0006638</u>	Breather		1
11	<u>VT0006639</u>	End cap		1
-	<u>VT0006615</u>	Oil can gearbox VR	ATF320 02=0.25l /05=0.23l /10=0.60l 16=1.42l /25=2,00	2

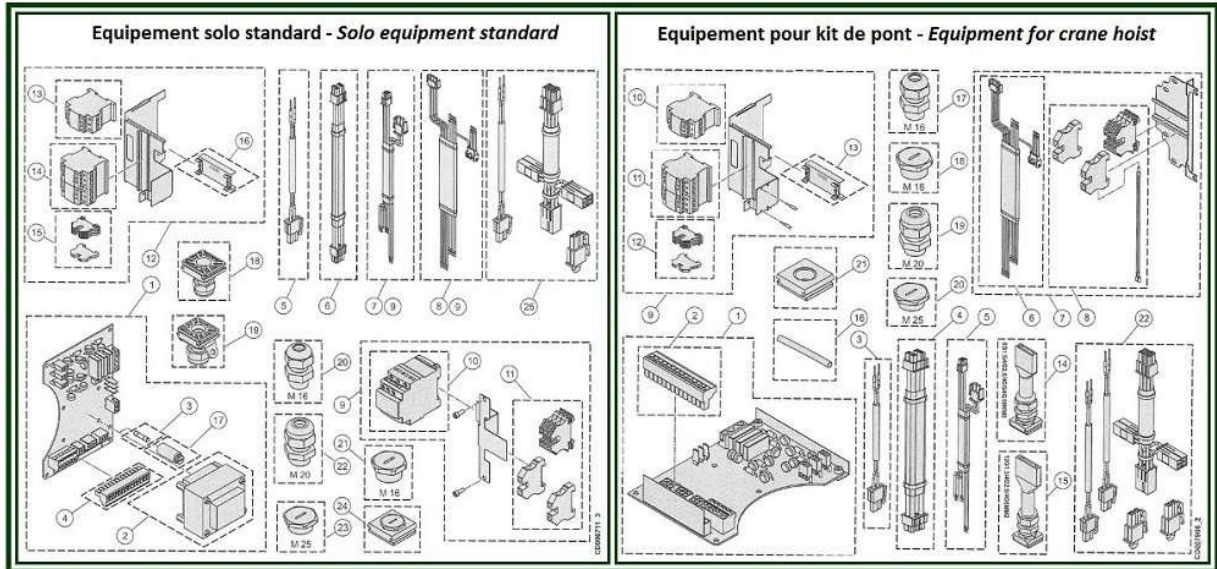
4. MOTOR- Single brake & Double brakes



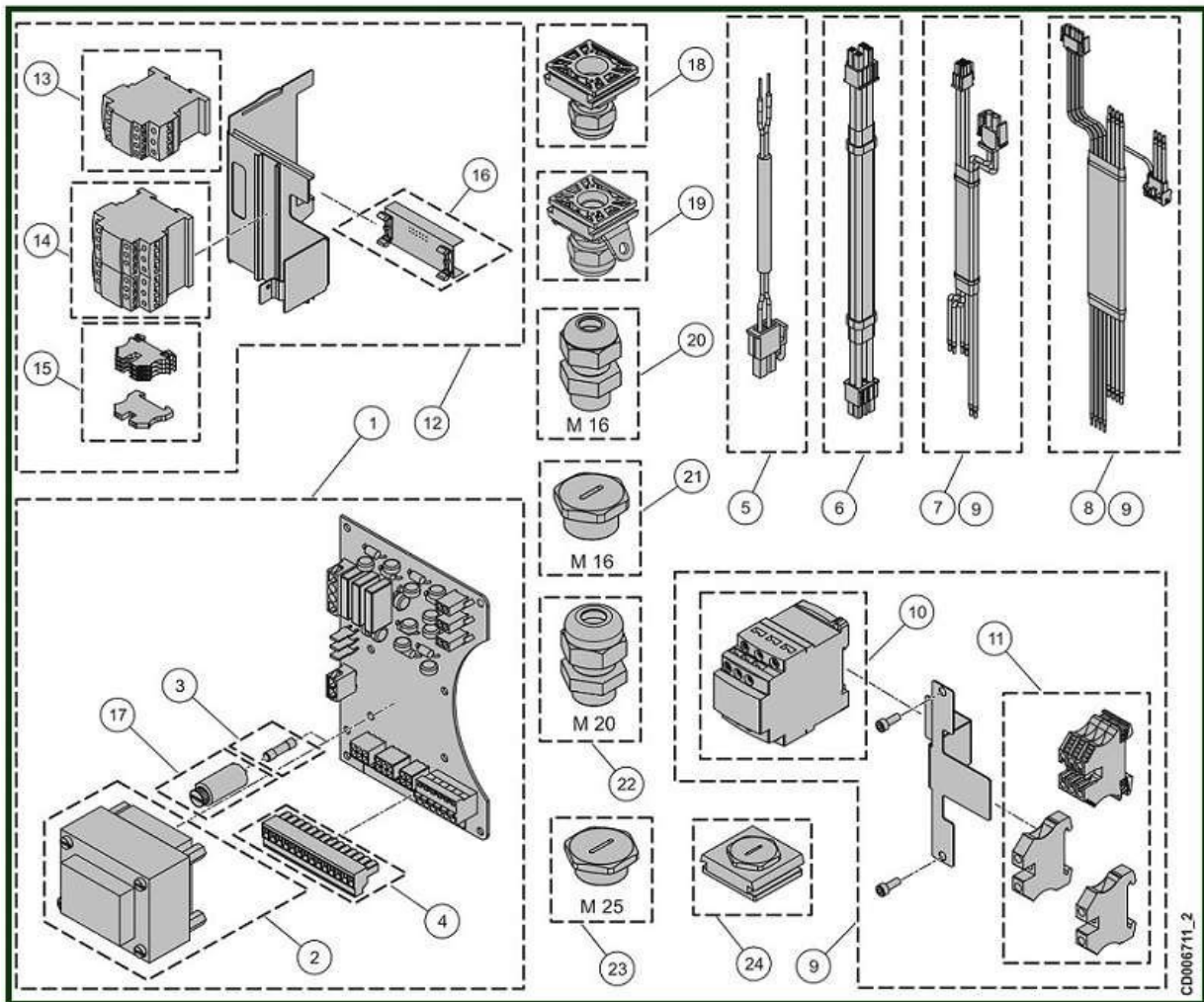
Motor - Single brake & Double brakes

Item	Reference	Description	Observation	Quantity
1	<u>VT0006645</u>	Motor - 2 speeds	220-230V-240V 50Hz Without fan	1
1	<u>VT0006647</u>	Motor - 2 speeds	380-400V 60Hz Without fan	1
1	<u>VT0006644</u>	Motor - 2 speeds	380-415V 50Hz / 440-480V 60Hz Without fan	1
1	<u>VT0006649</u>	Motor - 2 speeds	500-525V 50Hz / 575-600V 60Hz Without fan	1
1	<u>VT0006646</u>	Motor - 2 speeds	660-690V 50Hz Without fan	1
1	<u>VT0006648</u>	Motor - 2 speeds	660-690V 60Hz Without fan	1
2	<u>VT0007886</u>	Single brake	103VDC - 230 V VR16 & VR25 Double brakes = Single brake x 2	1
2	<u>VT0007885</u>	Single brake	180VDC - 400V Double brakes = Single brake x 2	1
2	<u>VT0007887</u>	Single brake	255VDC - 500V Double brakes = Single brake x 2	1
2	<u>VT0007888</u>	Single brake	320VDC - 600V-690V Double brakes = Single brake x 2	1
3	<u>VT0006654</u>	Retaining ring		1
4	<u>VT0006655</u>	Screw set		1
5	<u>VT0005912</u>	Bearing set		1
6	<u>VT0006656</u>	Grommet		1
7	<u>VT0005915</u>	Fan set		1

5. ELECTRICAL PARTS



5.1. Solo equipment – Standard



CD006711_2

Solo equipment – Standard

Item	Reference	Description	Observation	Quantity
1	VT0007668	CI board	208-230V/110-115V/50-60Hz	1
1	VT0007667	CI board	230V / 48V / 50-60Hz	1
1	VT0006738	CI board	380-415V / 24V / 50 60Hz	1
1	VT0006657	CI board	380-415V / 48V / 50-60Hz	1
1	VT0007665	CI board	380-415V / 110-115V / 50-60Hz	1
1	VT0007666	CI board	380-415V / 230V / 50-60Hz	1
1	VT0007669	CI board	440-480V / 48V /50-60Hz	1
1	VT0007670	CI board	440-480V / 110-115V / 50-60Hz	1
1	VT0007671	CI board	500-525V / 48V / 50-60Hz	1
1	VT0007672	CI board	500-525V/110-115V / 50-60Hz	1
1	VT0007695	CI board	500-525V/230V / 50-60Hz	1
1	VT0007673	CI board	575V/48V / 50-60Hz	1
1	VT0007674	CI board	575V/110-115V / 50-60Hz	1
1	VT0007675	CI board	690V /48V / 50-60Hz	1
1	VT0007676	CI board	690V /110-115V / 50-60Hz	1
2	VT0007684	Transformer	230V/48V / 50-60Hz	1
2	VT0007685	Transformer	230V/110-115V / 50-60Hz	1
2	VT0006739	Transformer	380-415V / 24V / 50 60Hz	1
2	VT0006658	Transformer	380-415V / 48V / 50-60Hz	1
2	VT0007682	Transformer	380-415V / 110-115V / 50-60Hz	1
2	VT0007683	Transformer	380-415V / 230V / 50-60Hz	1
2	VT0007686	Transformer	440-480V/48V / 50-60Hz	1
2	VT0007687	Transformer	440-480V/110V-115V / 50-60Hz	1
2	VT0007688	Transformer	500-525V/48V / 50-60Hz	1
2	VT0007689	Transformer	500-525V/110V-115V / 50-60Hz	1
2	VT0007690	Transformer	500-525V/230V / 50-60Hz	1
2	VT0007691	Transformer	575V / 48V / 50-60Hz	1
2	VT0007692	Transformer	575V / 115V / 50-60Hz	1
2	VT0007693	Transformer	690V / 48V / 50-60Hz	1
2	VT0007694	Transformer	690V / 110-115V/ 50-60Hz	1
3	VT0007706	Fuses set	Control voltage24V/48V	1
3	VT0007707	Fuses set	Control voltage110V/115V	1
3	VT0007306	Fuses set	Control voltage230V	1
4	VT0005108	Pendant connector	14P	1
5	VT0008550	GLS cable	Quantity 2 for 2 Cames or 4 for 4 Cames	1

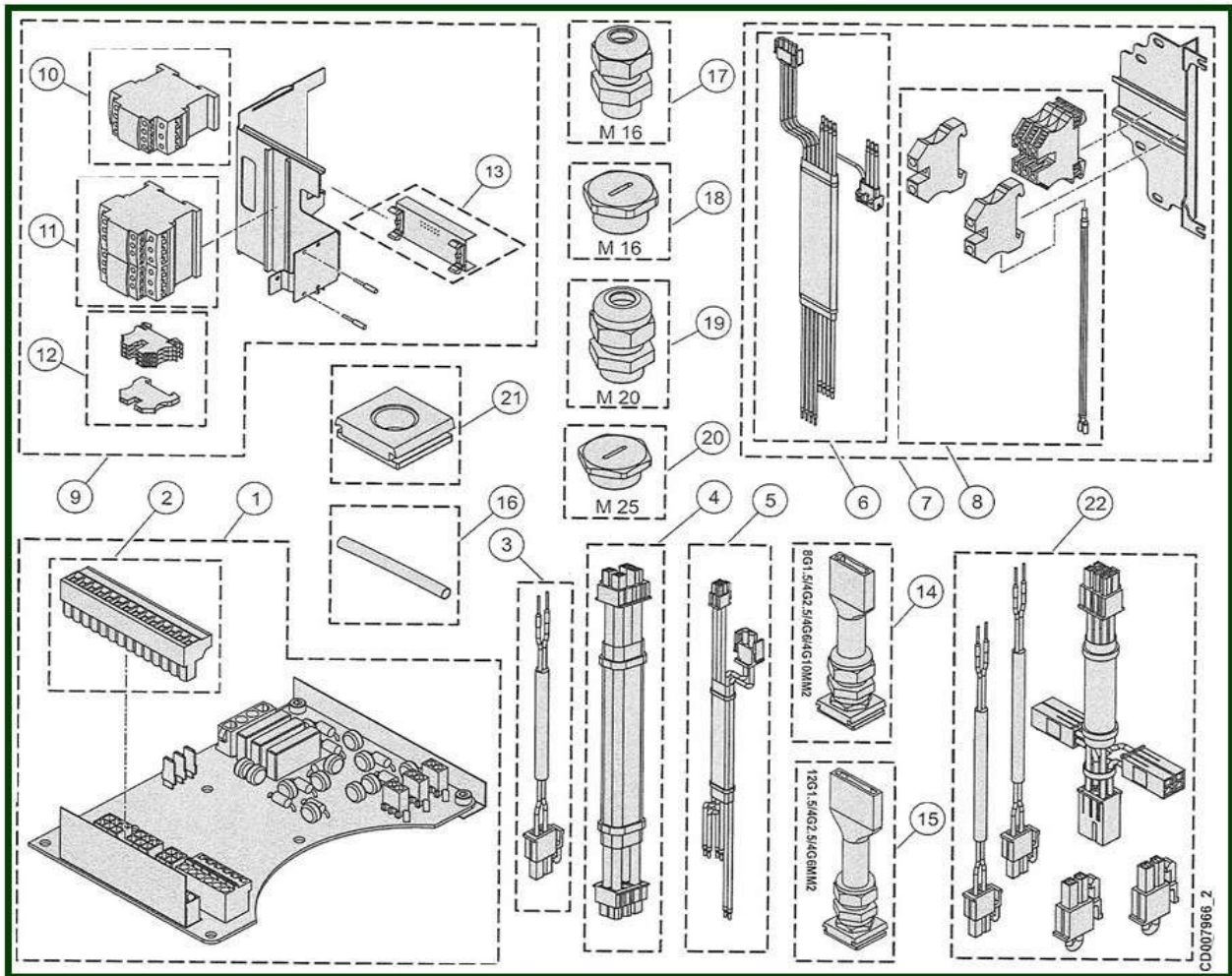
Solo equipment – Standard

Item	Reference	Description	Observation	Quantity
6	VT0006662	Linking cable	230V / 24V / 50-60Hz	1
7	VT0006663	Linking cable	230V / 24V / 50-60Hz	1
8	VT0006664	Linking cable	208V-690V / 50-60Hz	1
9	VT0007661	PC board Power connection	208V-690V / 50-60Hz	1
9	VT0007662	Linking cable	208V-690V /24V / 50-60Hz	1
9	VT0007663	Linking cable	208V-690V /48V / 50-60Hz	1
9	VT0007664	Linking cable	208V-690V/230V / 50-60Hz	1
10	VT0007696	Contacteur ON/OFF	24V	1
10	VT0006731	Contacteur ON/OFF	48V	1
10	VT0007697	Contacteur ON/OFF	110V	1
10	VT0007698	Contacteur ON/OFF	230V	1
11	VT0007708	Terminal block set		1
12	VT0007680	Electrical board - 2HS	208-230V / 48V / 50-60Hz	1
12	VT0007681	Electrical board - 2HS	208-230V / 110-115V / 50-60Hz	1
12	VT0006666	Electrical board - 2HS	380-690V / 48V / 50-60Hz	1
12	VT0007678	Electrical board - 2HS	380-690V / 110-115V / 50-60Hz	1
12	VT0007679	Electrical board - 2HS	380-690V / 230V / 50-60Hz	1
12	VT0007677	Electrical board - 2HS	380V-690V/ 24V / 50-60Hz	1
13	VT0007699	Selector contactor	208-230V / 48V / 50-60Hz	1
13	VT0007700	Selector contactor	208-230V / 110V / 50-60Hz	1
13	VT0006737	Selector contactor	380-690V / 48V / 50-60Hz	1
13	VT0006740	Selector contactor	380-690V / 110-115V / 50-60Hz	1
13	VT0006741	Selector contactor	380-690V / 230V / 50-60Hz	1
13	VT0006736	Selector contactor	380V-690V/24V / 50-60Hz	1
14	VT0007703	Reversing contactor	380V-690V/24V / 50-60Hz	1
14	VT0007701	Selector contactor	208-230V / 48V / 50-60Hz	1
14	VT0007702	Selector contactor	208-230V / 110V / 50-60Hz	1
14	VT0006743	Selector contactor	380-690V /48V / 50-60Hz	1
14	VT0007704	Selector contactor	380-690V / 110V-115V / 50-60Hz	1
14	VT0007705	Selector contactor	380-690V / 230V / 50-60Hz	1
15	VT0007709	Terminal block set		1
16	VT0006732	Terminal block set	230V / 24 - 50/60Hz	1
17	VT0006191	Porte fusible		1
18	VT0006393	Cable gland set Square cable entry	CG M20- ISO 20 Trolley – Power supply	1

Solo equipment – Standard

Item	Reference	Description	Observation	Quantity
19	<u>VT0005090</u>	Cable gland set Square cable entry	Push button	1
20	<u>VT0006640</u>	Cable gland	M16	1
21	<u>VT0006641</u>	Cap	M16	1
22	<u>VT0004924</u>	Cable gland	M20	1
23	<u>VT0006643</u>	Cap	M25	1
24	<u>VT0006089</u>	Cap Square cable entry		1
25	<u>VT0008551</u>	Set of connection GLS	FDC MS +GLS	1
-	<u>VT0006967</u>	Time counter		1

5.2. Equipment for crane kit



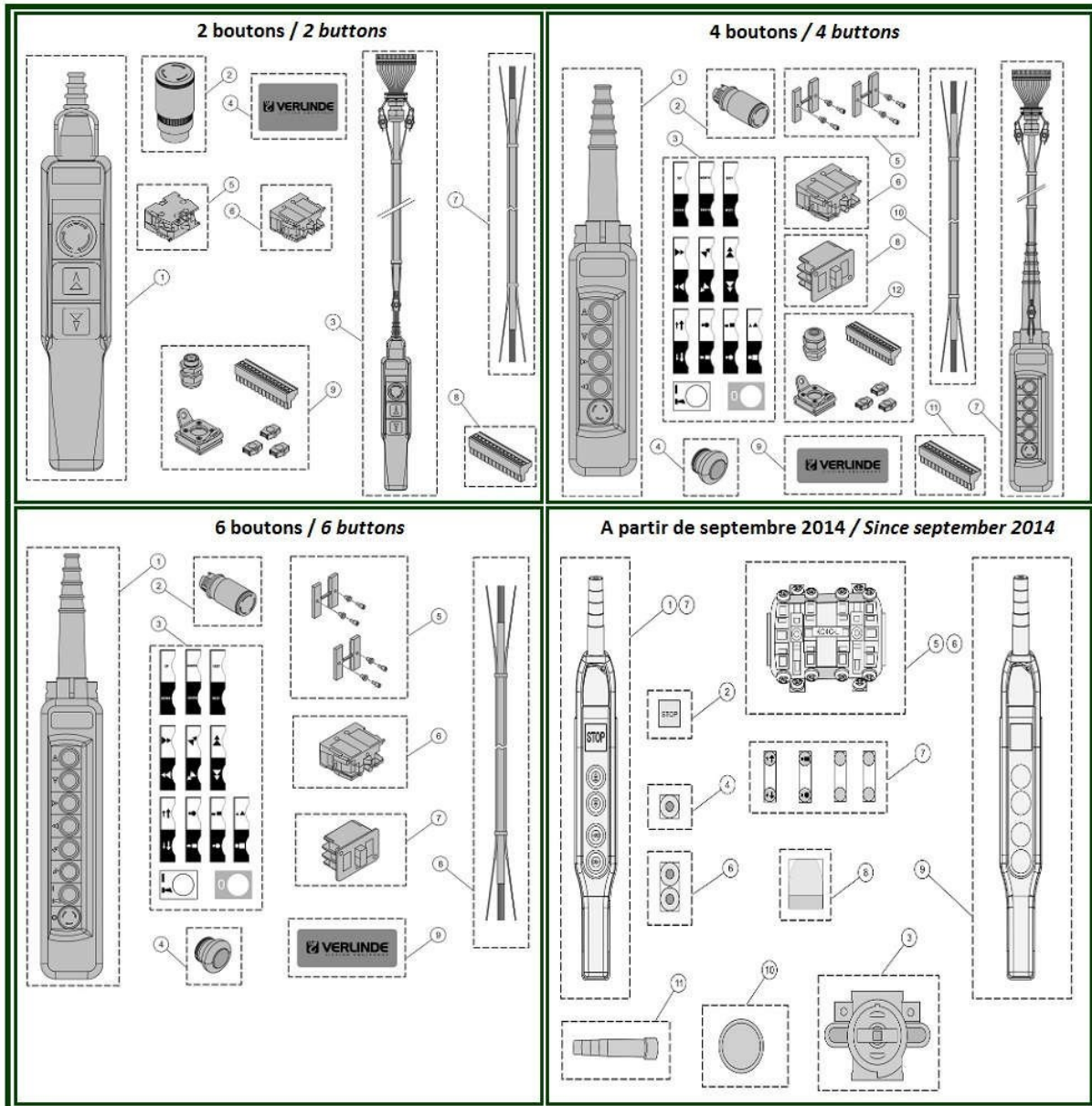
Equipment for crane kit

Item	Reference	Description	Observation	Quantity
1	<u>VT0008072</u>	Platine CI - Pont	208V 600V / 50-60Hz	1
2	<u>VT0005108</u>	Connector	14P	1
3	<u>VT0006661</u>	Linking cable	230V / 24V / 50-60Hz	1
4	<u>VT0006662</u>	Linking cable	230V / 24V / 50-60Hz	1
5	<u>VT0006663</u>	Linking cable	230V / 24V / 50-60Hz	1
6	<u>VT0006664</u>	Linking cable	208V-690V / 50-60Hz	1
7	<u>VT0007661</u>	PC board Power connection	208V-690V / 50-60Hz	1
8	<u>VT0007708</u>	Terminal block set		1
9	<u>VT0007680</u>	Electrical board - 2HS	208-230V / 48V / 50-60Hz	1
9	<u>VT0007681</u>	Electrical board - 2HS	208-230V / 110-115V / 50-60Hz	1
9	<u>VT0006666</u>	Electrical board - 2HS	380-690V / 48V / 50-60Hz	1
9	<u>VT0007678</u>	Electrical board - 2HS	380-690V / 110-115V / 50-60Hz	1
9	<u>VT0007679</u>	Electrical board - 2HS	380-690V / 230V / 50-60Hz	1
9	<u>VT0007677</u>	Electrical board - 2HS	380V-690V/ 24V / 50-60Hz	1
10	<u>VT0007699</u>	Selector contactor	208-230V / 48V / 50-60Hz	1
10	<u>VT0007700</u>	Selector contactor	208-230V / 110V / 50-60Hz	1
10	<u>VT0006737</u>	Selector contactor	380-690V / 48V / 50-60Hz	1
10	<u>VT0006740</u>	Selector contactor	380-690V / 110-115V / 50-60Hz	1
10	<u>VT0006741</u>	Selector contactor	380-690V / 230V / 50-60Hz	1
10	<u>VT0006736</u>	Selector contactor	380V-690V/24V / 50-60Hz	1
11	<u>VT0007703</u>	Reversing contactor	380V-690V/24V / 50-60Hz	1
11	<u>VT0007701</u>	Selector contactor	208-230V / 48V / 50-60Hz	1
11	<u>VT0007702</u>	Selector contactor	208-230V / 110V / 50-60Hz	1
11	<u>VT0006743</u>	Selector contactor	380-690V / 48V / 50-60Hz	1
11	<u>VT0007704</u>	Selector contactor	380-690V / 110V-115V / 50-60Hz	1
11	<u>VT0007705</u>	Selector contactor	380-690V / 230V / 50-60Hz	1

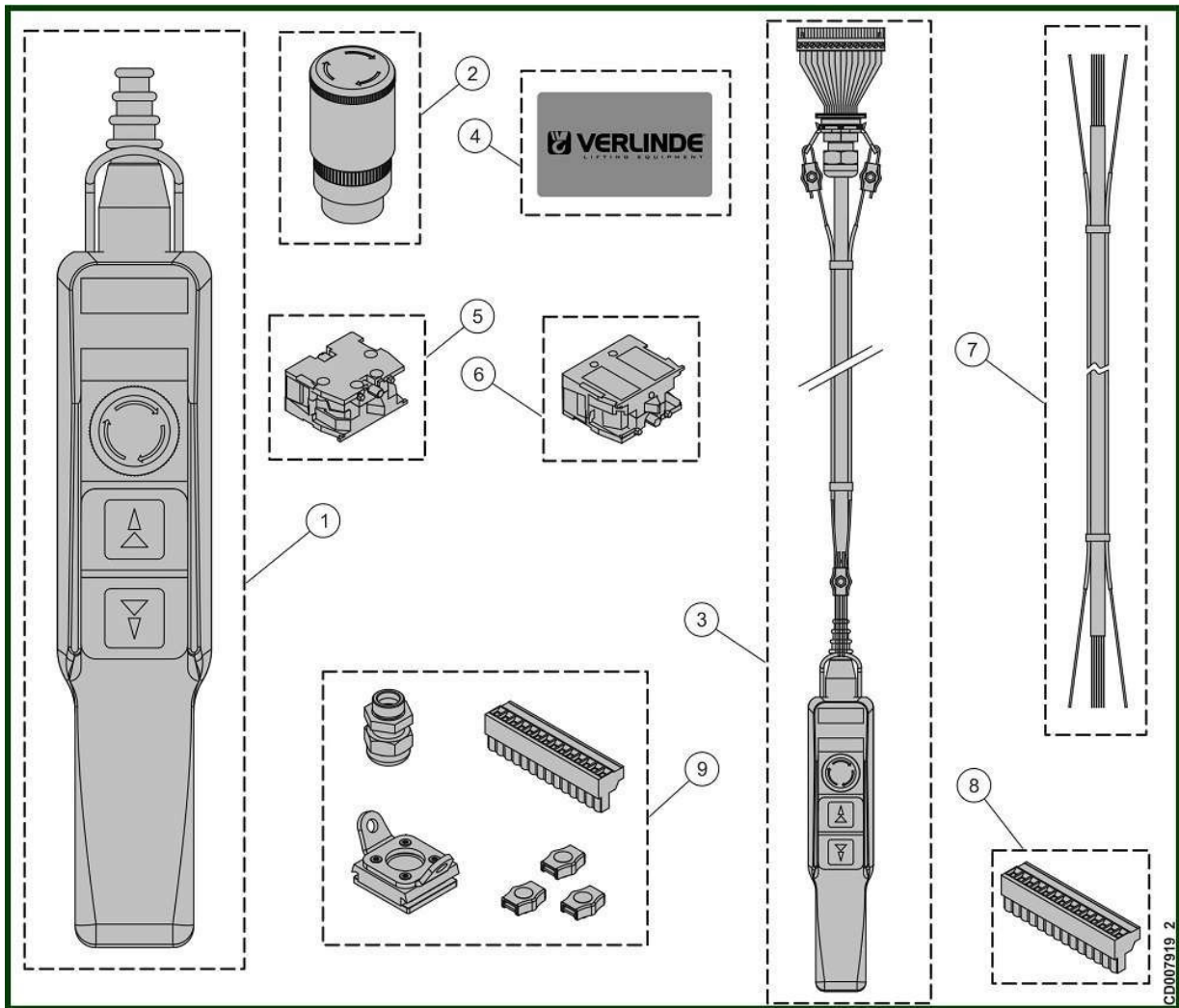
Equipment for crane kit

Item	Reference	Description	Observation	Quantity
12	<u>VT0007709</u>	Terminal block set		1
13	<u>VT0006732</u>	Terminal block set	230V / 24 - 50/60Hz	1
14	<u>VT0007780</u>	Cable gland set Square cable entry	8G1.5/4G2.5/4G6/4G10mm2	1
15	<u>VT0006454</u>	Cable gland set Square cable entry	12G1.5/4G2.5/4G6mm2 - ISO 25	1
16	<u>VT0007781</u>	Head shrinkable tube		1
17	<u>VT0006640</u>	Cable gland	M16	1
18	<u>VT0006641</u>	Cap	M16	1
19	<u>VT0004924</u>	Cable gland	M20	1
20	<u>VT0006643</u>	Cap	M25	1
21	<u>VT0006089</u>	Cap Square cable entry		1
22	<u>VT0008551</u>	Set of connection GLS	FDC MS +GLS	1
-	<u>VT0006967</u>	Time counter		1

6. PUSH BUTTON CONTROLLER



6.1. 2 buttons

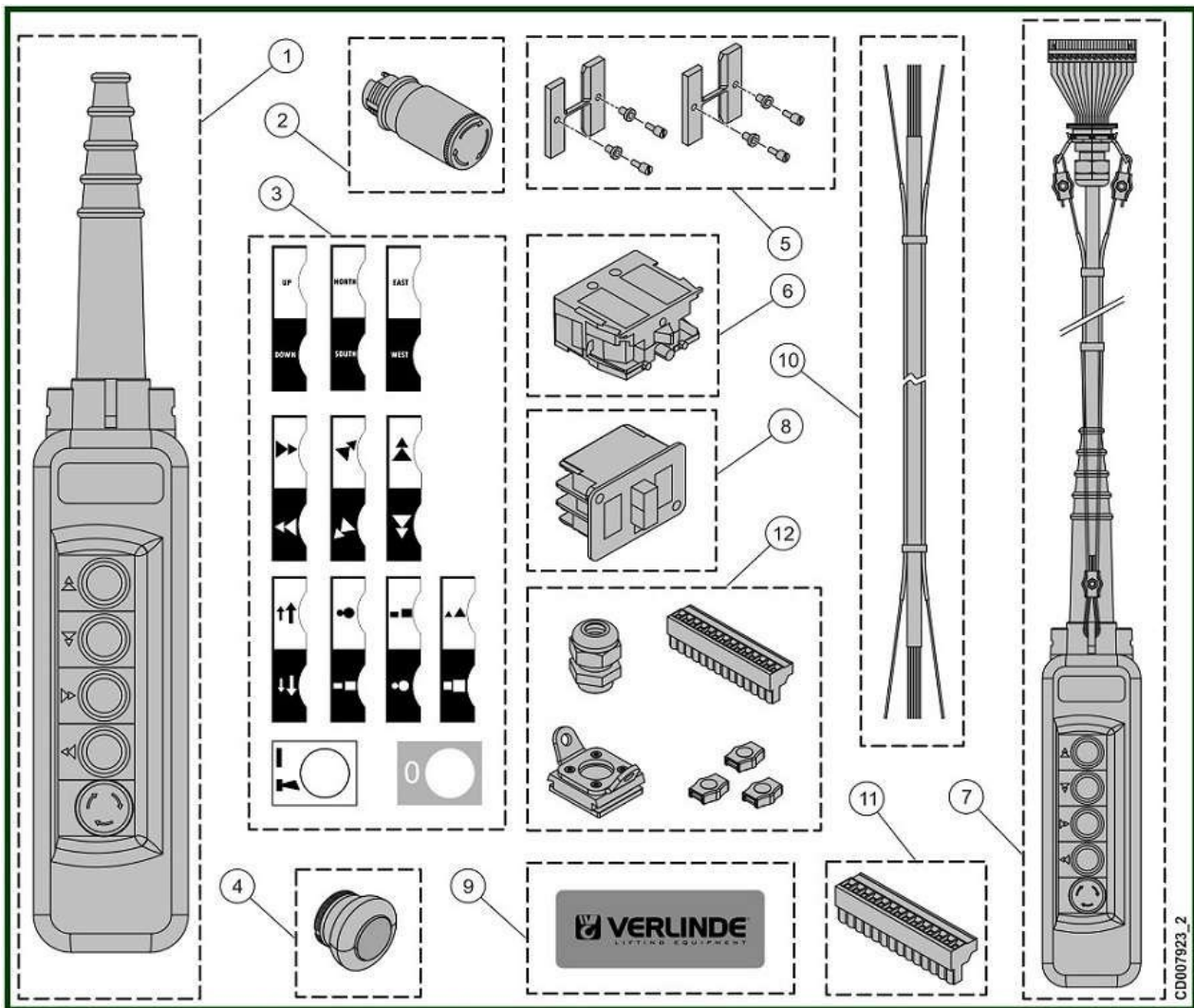


CD007919 2

2 buttons

Item	Reference	Description	Observation	Quantity
1	<u>VT0005061</u>	6 buttons- 2HS+ES	Yellow	1
2	<u>VT0006547</u>	Emergency push button		1
3	<u>VT0005612</u>	Pendant with cable - 2HS+ES	2,2 m - Yellow - CE	1
3	<u>VT0005613</u>	Pendant with cable - 2HS+ES	2,7 m - Yellow - CE	1
3	<u>VT0005614</u>	Pendant with cable - 2HS+ES	3,2 m - Yellow - CE	1
3	<u>VT0005615</u>	Pendant with cable - 2HS+ES	3,7 m - Yellow - CE	1
3	<u>VT0005616</u>	Pendant with cable - 2HS+ES	4,2 m - Yellow - CE	1
3	<u>VT0005617</u>	Pendant with cable - 2HS+ES	4,7 m - Yellow - CE	1
3	<u>VT0005618</u>	Pendant with cable - 2HS+ES	5,2 m - Yellow - CE	1
3	<u>VT0005619</u>	Pendant with cable - 2HS+ES	5,7 m - Yellow - CE	1
4	<u>VT0007837</u>	Sticker of brand	VERLINDE	1
5	<u>VT0005064</u>	Contact block	Z B2-BE101	1
6	<u>VT0005066</u>	Contact block	Z B2-BE 102	1
6	<u>VT0015041</u>	Contact block	ZB2-BE201 "F" décalé	1
7	<u>VT0006746</u>	Cable	5x1,5 mm2 - CE	1
8	<u>VT0005108</u>	Control voltage connector	14P	1
9	<u>VT0007583</u>	Pendant plug set	ISO	1

6.2. 4 buttons

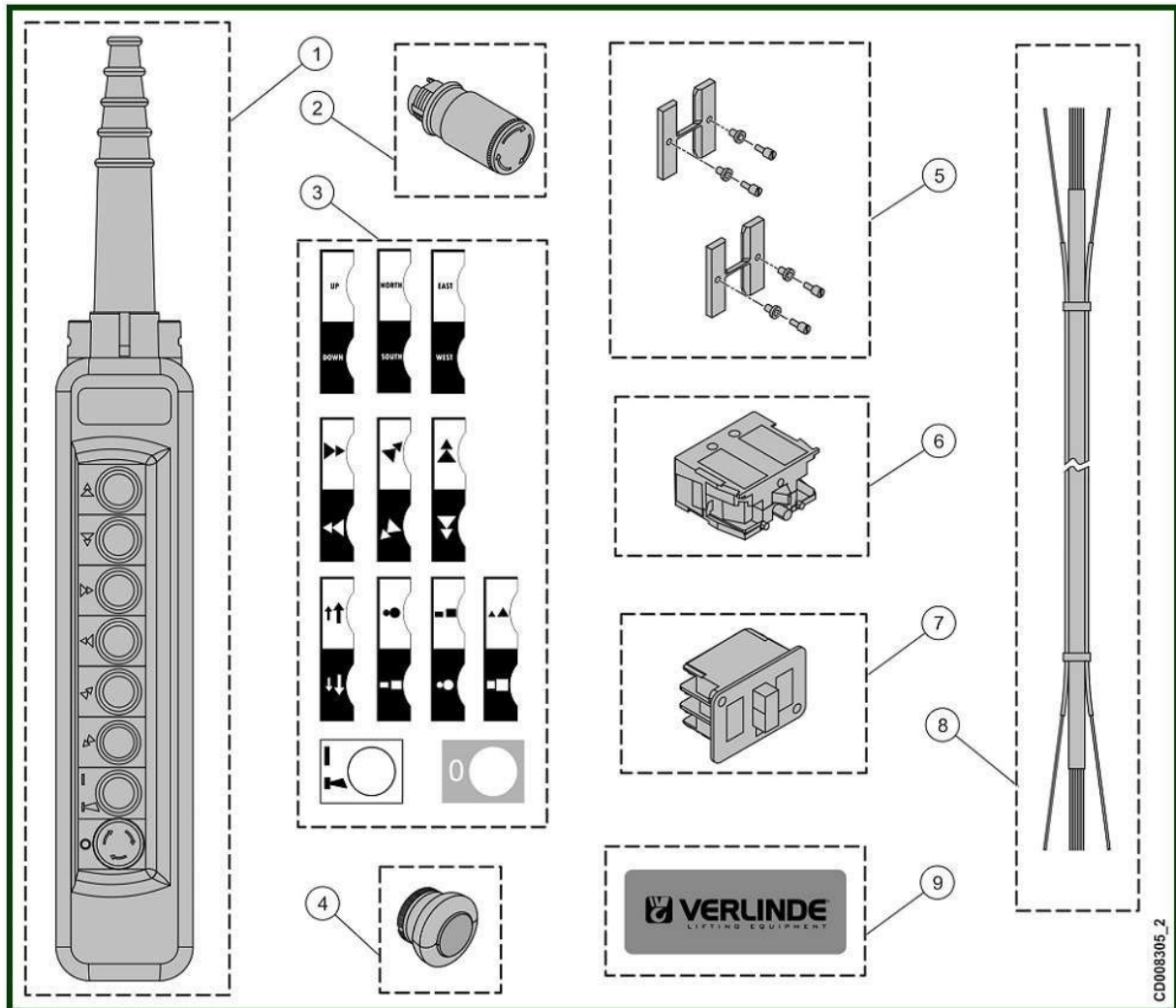


CD007923_2

4 buttons

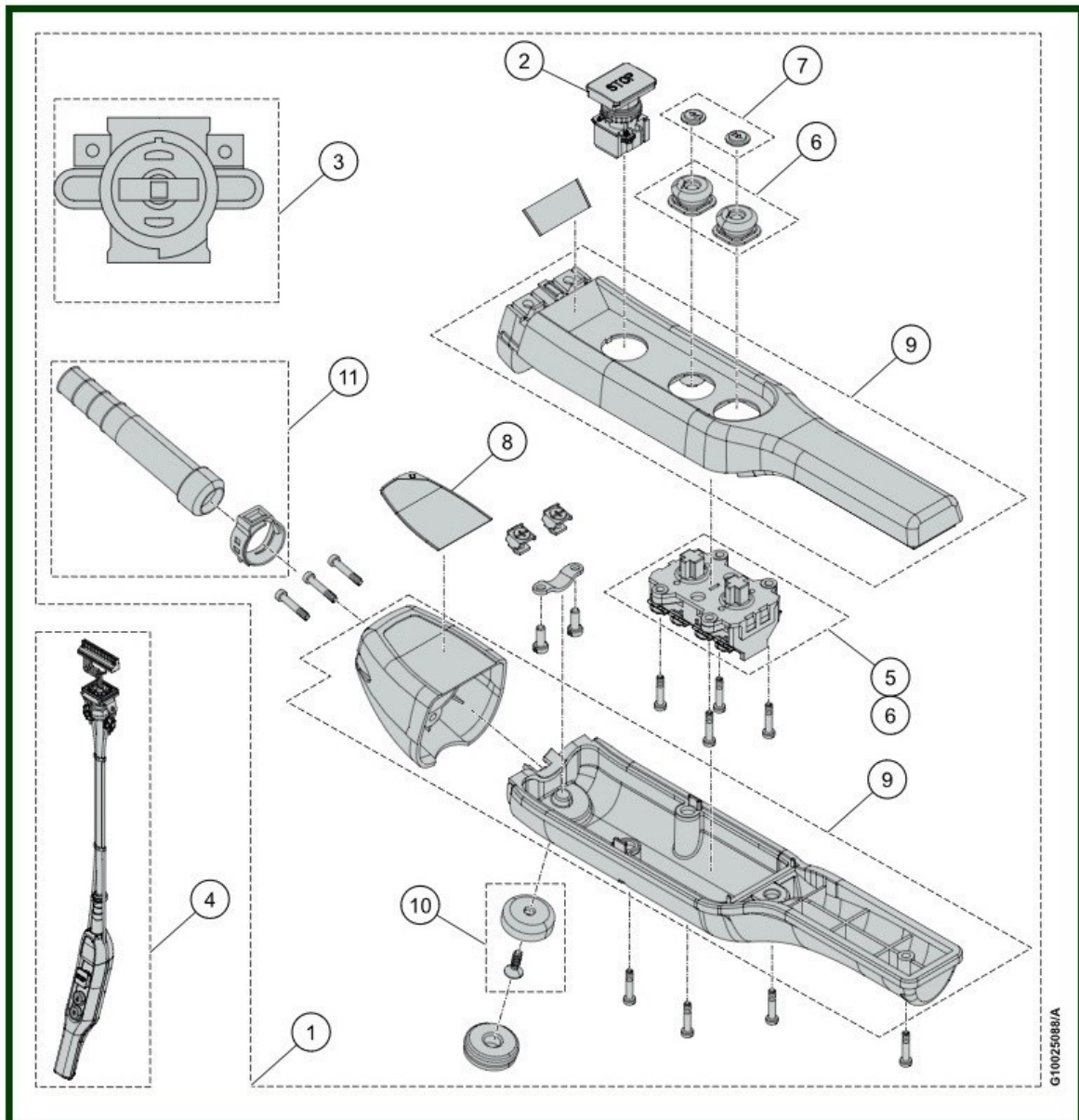
Item	Reference	Description	Observations	Quantity
1	<u>VT0005055</u>	6 buttons- 2HS+2TS+ES	Yellow	1
2	<u>VT0006548</u>	Emergency push button		1
3	<u>VT0007882</u>	Set of direction symbols		1
4	<u>VT0005063</u>	Push button		1
5	<u>VT0005072</u>	Mechanical interlock		2
6	<u>VT0005066</u>	Bloc contact	Z B2-BE 102	1
7	<u>VT0006056</u>	Pendant with cable - 2HS+2TS+ES	2,7 m - Yellow	1
7	<u>VT0006055</u>	Pendant with cable - 2HS+2TS+ES	2,2 m - Yellow	1
7	<u>VT0006057</u>	Pendant with cable - 2HS+2TS+ES	3,2 m - Yellow	1
7	<u>VT0006058</u>	Pendant with cable - 2HS+2TS+ES	3,7 m - Yellow	1
7	<u>VT0006060</u>	Pendant with cable - 2HS+2TS+ES	4,7 m - Yellow	1
7	<u>VT0006061</u>	Pendant with cable - 2HS+2TS+ES	5,2 m - Yellow	1
7	<u>VT0006062</u>	Pendant with cable - 2HS+2TS+ES	5,7 m - Yellow	1
8	<u>VT0007879</u>	Block contact	X ENG1191	1
9	<u>VT0007880</u>	Sticker of brand		1
10	<u>VT0006747</u>	Cable - 8x1,5mm ²	meter	1
11	<u>VT0005108</u>	Control voltage connector	14P	1
12	<u>VT0007583</u>	Pendant plug set	ISO	1

6.3. 6 buttons



Item	Reference	Description	Observations	Quantity
1	VT0005058	Pendant controller 2HS+2TS+2LS+ON-OFF	Yellow	1
2	VT0006548	Emergency push button		1
3	VT0007882	Set of direction symbols		1
4	VT0005063	Push button		1
5	VT0005072	Mechanical interlock		2
6	VT0005066	Bloc contact	Z B2-BE 102	1
7	VT0007879	Block contact	X ENG1191	1
8	VT0008073	Cable	16x1.52mm ² - meter	1
8	VT0008074	Cable	20x1.5mm ² - meter	1
9	VT0007880	Sticker of brand	VERLINDE	1
-	VT0005108	Control voltage connector	14P	1

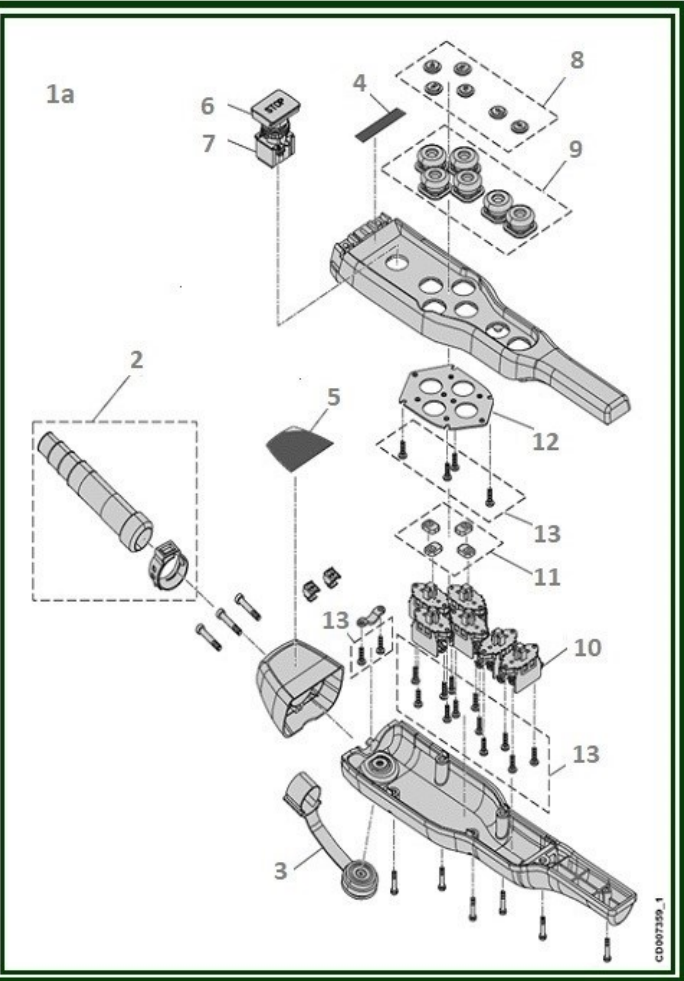
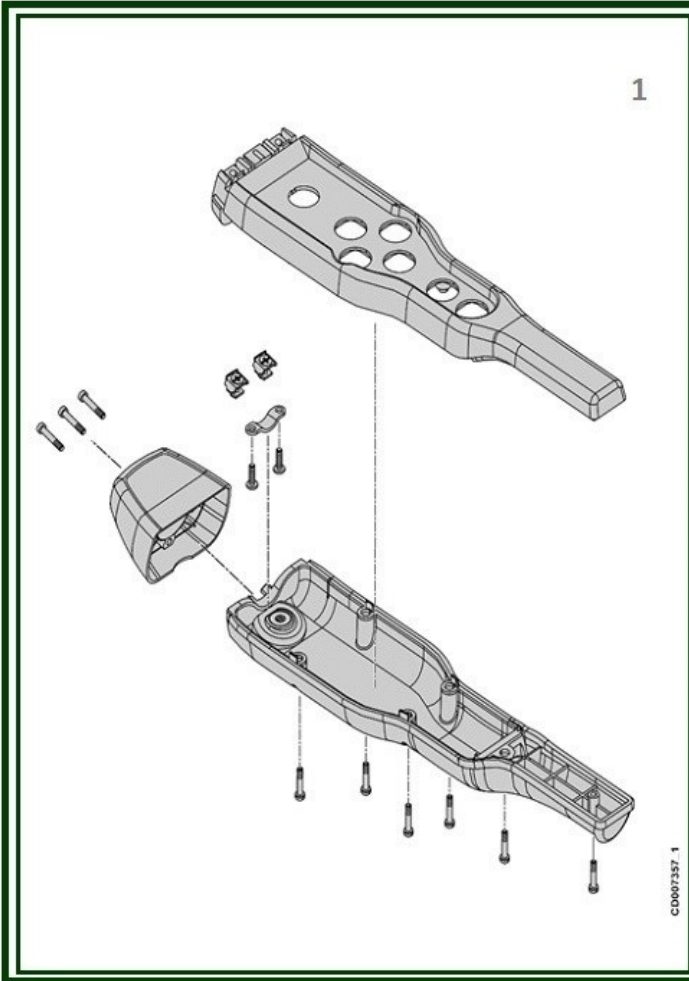
6.4. 2 and 4 Buttons – ERGOMOVE - From September 2014



2 and 4 buttons ERGOMOVE - From September 2014

Item	Reference	Description	Observation	Quantity
1	VT0006495	Push button - 2HS+2TS+ES	Yellow - 4 buttons	1
1	VT0006493	Push button - 2HS+ES	Yellow - 2 buttons	1
2	VT0006509	Emergency push button		1
3	VT0006510	Emergency stop contact block		1
4	VT0006511	Rubber push button		1
5	VT0006513	Contact block	2 steps	1
6	VT0006514	Set of 2 push buttons + contact block		1
7	VT0006754	Stickers - Direction symbols	ANSI	1
7	VT0006752	Stickers - Direction symbols	DIN	1
7	VT0006753	Stickers - Direction symbols	FIN-SEN	1
8	VT0006496	Sticker of brand	VERLINDE	1
9	VT0006515	Pendant controller	Yellow - 2 buttons	1
9	VT0006518	Pendant controller	Yellow - 4 buttons	1
10	VT0006517	Magnet		1
10	VT0006516	Rubber part		1
11	VT0014221	Cable bushing		1
12	VT0006958	Push buttons box + cable + plug - 2 HS+ES	2,20 m - Yellow - DIN	1
12	VT0006951	Push buttons box + cable + plug - 2 HS+ES	2,70 m - Yellow - DIN	1
12	VT0006952	Push buttons box + cable + plug - 2 HS+ES	3,20 m - Yellow - DIN	1
12	VT0006953	Push buttons box + cable + plug - 2 HS+ES	3,70 m - Yellow - DIN	1
12	VT0006954	Push buttons box + cable + plug - 2 HS+ES	4,20 m - Yellow - DIN	1
12	VT0006955	Push buttons box + cable + plug - 2 HS+ES	4,70 m - Yellow - DIN	1
12	VT0006956	Push buttons box + cable + plug - 2 HS+ES	5,20 m - Yellow - DIN	1
12	VT0006957	Push buttons box + cable + plug - 2 HS+ES	5,70 m - Yellow - DIN	1
13	VT0006959	Push buttons box + cable + plug - 2 HS+2TS+ES	2,20 m - Yellow - DIN	1
13	VT0006966	Push buttons box + cable + plug - 2 HS+2TS+ES	2,70 m - Yellow - DIN	1
13	VT0006960	Push buttons box + cable + plug - 2 HS+2TS+ES	3,20 m - Yellow - DIN	1
13	VT0006961	Push buttons box + cable + plug - 2 HS+2TS+ES	3,70 m - Yellow - DIN	1
13	VT0006962	Push buttons box + cable + plug - 2 HS+2TS+ES	4,20 m - Yellow - DIN	1
13	VT0006963	Push buttons box + cable + plug - 2 HS+2TS+ES	4,70 m - Yellow - DIN	1
13	VT0006964	Push buttons box + cable + plug - 2 HS+2TS+ES	5,20 m - Yellow - DIN	1
13	VT0006965	Push buttons box + cable + plug - 2 HS+2TS+ES	5,70 m - Yellow - DIN	1

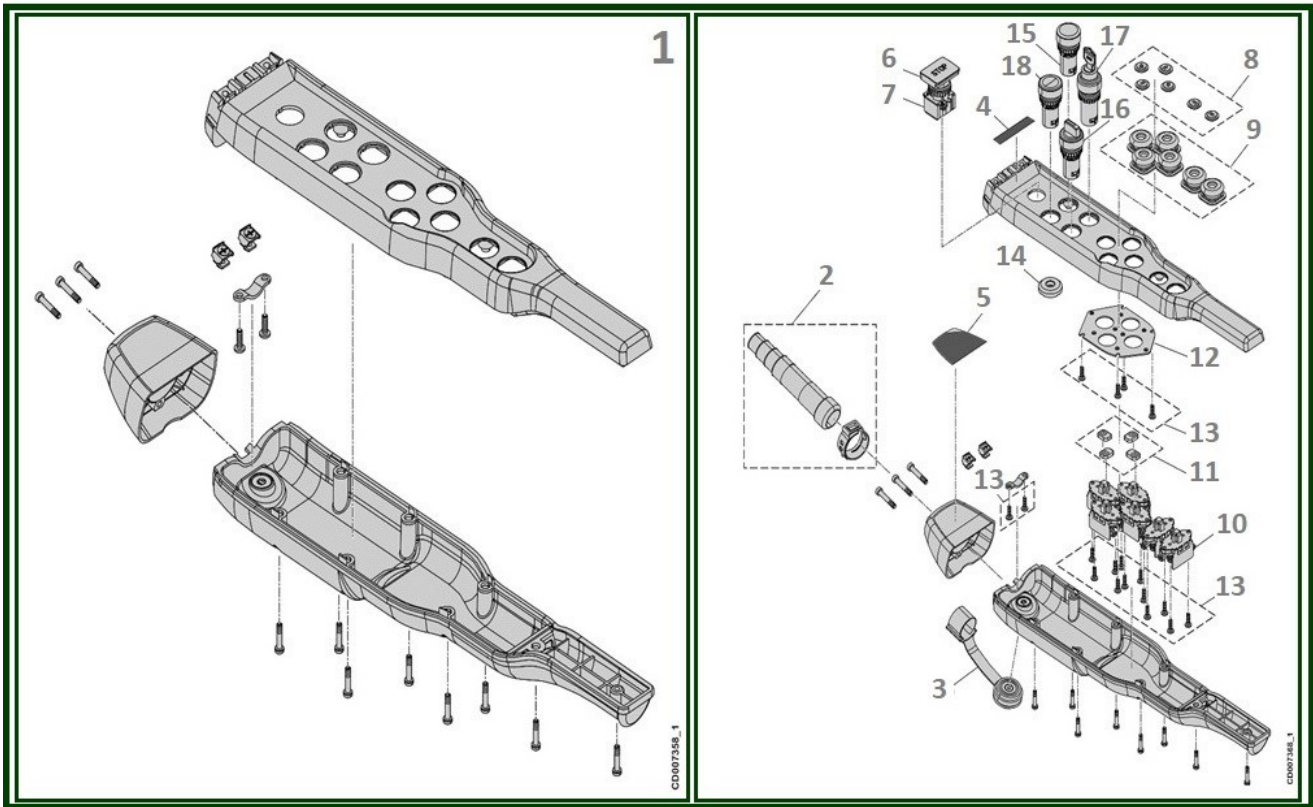
6.5. 6 Buttons – ERGOMOVE - From September 2014



6 buttons ERGOMOVE -From September 2014

Item	Reference	Description	Observation	Quantity
1	<u>VT0007106</u>	Complete pendant controller	Yellow	1
1a	<u>VT0013522</u>	Pendant controller body		1
2	<u>VT0007149</u>	Cable bushing		1
3	<u>VT0010787</u>	Magnet		1
5	<u>VT0007148</u>	Sticker	Logo	1
6	<u>VT0010757</u>	Emergency stop button		1
7	<u>VT0010788</u>	Contact block		1
8	<u>VT0007147</u>	Stickers - Direction symbols	ANSI	1
8	<u>VT0007145</u>	Stickers - Direction symbols	DIN	1
8	<u>VT0007146</u>	Stickers - Direction symbols	FIN	1
9	<u>VT0007102</u>	Push button		1
10	<u>VT0013419</u>	Contact block	Crane and Trolley control (Foward/Backward and Right/Left) 2-step	1
10	<u>VT0007100</u>	Contact block	Hoisting control (Up and Down) 2-step	1
11	<u>VT0007101</u>	Push button		1
12	<u>VT0007103</u>	Shape plate		1
13	<u>VT0007150</u>	Screws set		1

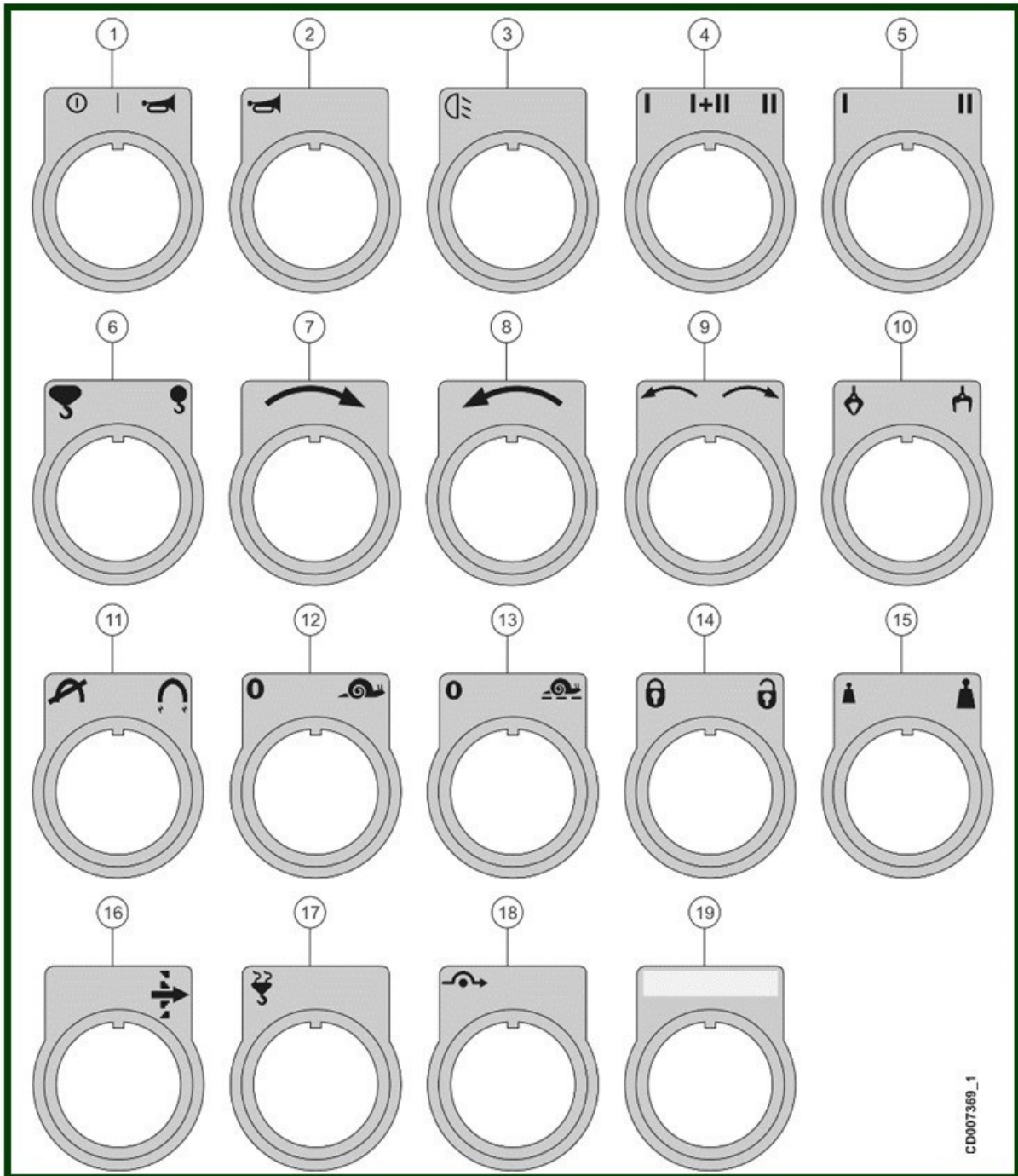
6.6. 10 Buttons – ERGOMOVE - From September 2014



10 buttons ERGOMOVE – From September 2014

Item	Reference	Description	Observation	Quantity
1	VT0007107	Pendant controller body	Yellow	1
1	VT0013416	Pendant controller body	Yellow	1
2	VT0007149	Cable bushing		1
3	VT0010787	Magnet		1
5	VT0007148	Sticker	Logo	1
6	VT0010757	Emergency stop button		1
7	VT0010788	Contact block		1
8	VT0007147	Stickers - Direction symbols	ANSI	1
8	VT0007145	Stickers - Direction symbols	DIN	1
8	VT0007146	Stickers - Direction symbols	FIN	1
9	VT0007102	Push button		1
10	VT0013419	Contact block – 2 steps	Crane and Trolley control (Foward/Backward and Right/Left)	4
10	VT0007100	Contact block – 2 steps	Hoisting control (Up and Down)	2
11	VT0007101	Push button		1
12	VT0007103	Shape plate		1
13	VT0007150	Screws set		1
14	VT0007109	Blanking plug		1
15	VT0007110	Push button		1
16	VT0010760	Selector without spring return to center	Switch 1-0-2	1
16	VT0010797	Selector switch	Switch 0-1	1
16	VT0007113	Selector switch	Switch 1-1+2-2	1
16	VT0007114	Selector switch	Switch 1-2	1
16	VT0010796	Selector switch with spring return to center	Switch 1-0-2	1
17	VT0010798	Position Key Selector	Switch 0-1	1
18	VT0010791	Pilot lamp 115 – Green		1
18	VT0010792	Pilot lamp 115V - Red		1
18	VT0010793	Pilot lamp 115V – Yellow		1
18	VT0010794	Pilot lamp 230V - Green		1
18	VT0010759	Pilot lamp 230V - Red		1
18	VT0010795	Pilot lamp 230V - Yellow		1
18	VT0010789	Pilot lamp - 48V - Green		1
	VT0010758	Pilot lamp - 48V – Red		1
	VT0010790	Pilot lamp - 48V - Yellow		1

6.7. 10 Buttons – ERGOMOVE – Option pendant label

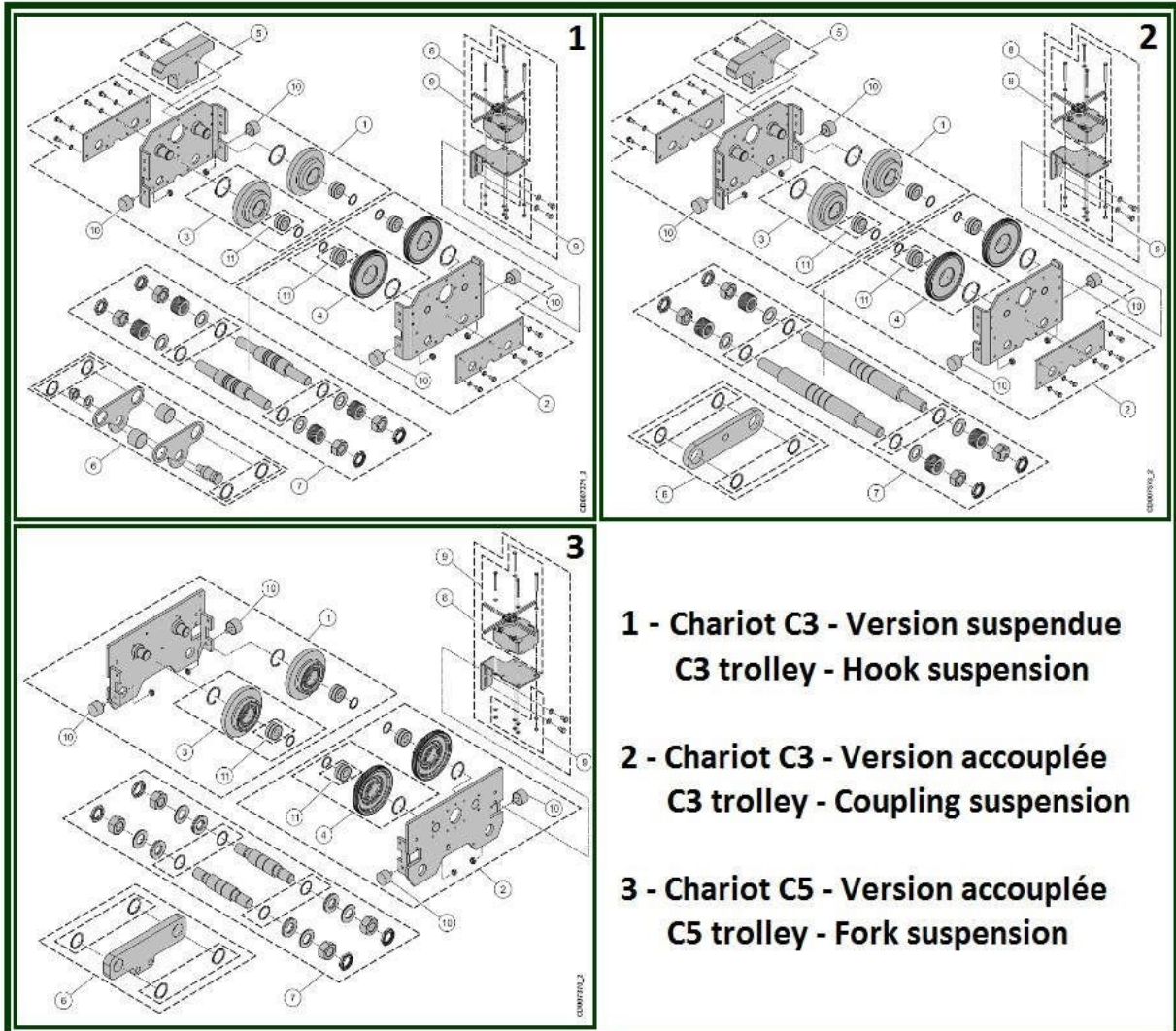


10 buttons ERGOMOVE – Option pendant label

Item	Reference	Description	Observation	Quantity
1	<u>VT0007126</u>	Pendant label - Start + Horn		1
2	<u>VT0007127</u>	Pendant label - Horn		1
3	<u>VT0007128</u>	Pendant label - Light		1
4	<u>VT0007129</u>	Pendant label - Hoist selector I, I+II, II		1
5	<u>VT0007130</u>	Pendant label - Hoist selector I, II		1
6	<u>VT0007131</u>	Pendant label - Hook selection		1
7	<u>VT0007132</u>	Pendant label - Rotate right		1
8	<u>VT0007133</u>	Pendant label - Rotate left		1
9	<u>VT0007134</u>	Pendant label - Rotate left / light		1
10	<u>VT0007135</u>	Pendant label - Close and open		1
11	<u>VT0007136</u>	Pendant label - Magnet OFF / On		1
12	<u>VT0007137</u>	Pendant label - Microspeed		1
13	<u>VT0007138</u>	Pendant label - Microspeed		1
14	<u>VT0007139</u>	Pendant label - Lock / unlock		1
15	<u>VT0007140</u>	Pendant label - Load limiter		1
16	<u>VT0007141</u>	Pendant label - Restricted area		1
17	<u>VT0007142</u>	Pendant label - Slack rope		1
18	<u>VT0007143</u>	Pendant label - Bypass		1
19	<u>VT0007144</u>	Blank pendant label		1

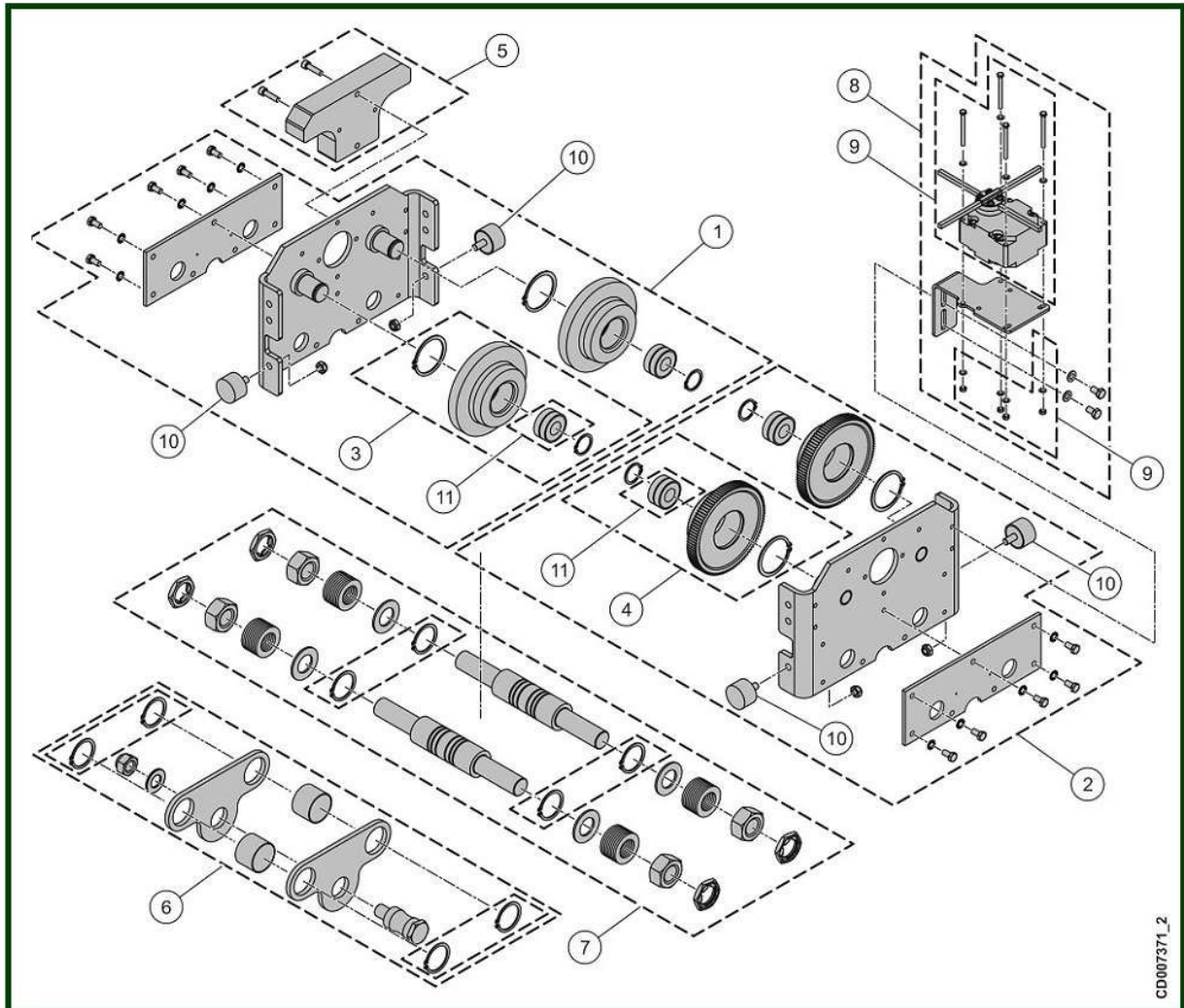
7. NORMAL HEADROOM TROLLEY

NHT



7.1. C3 trolley- 2001 to 3200 kg - Hanging version

NHT



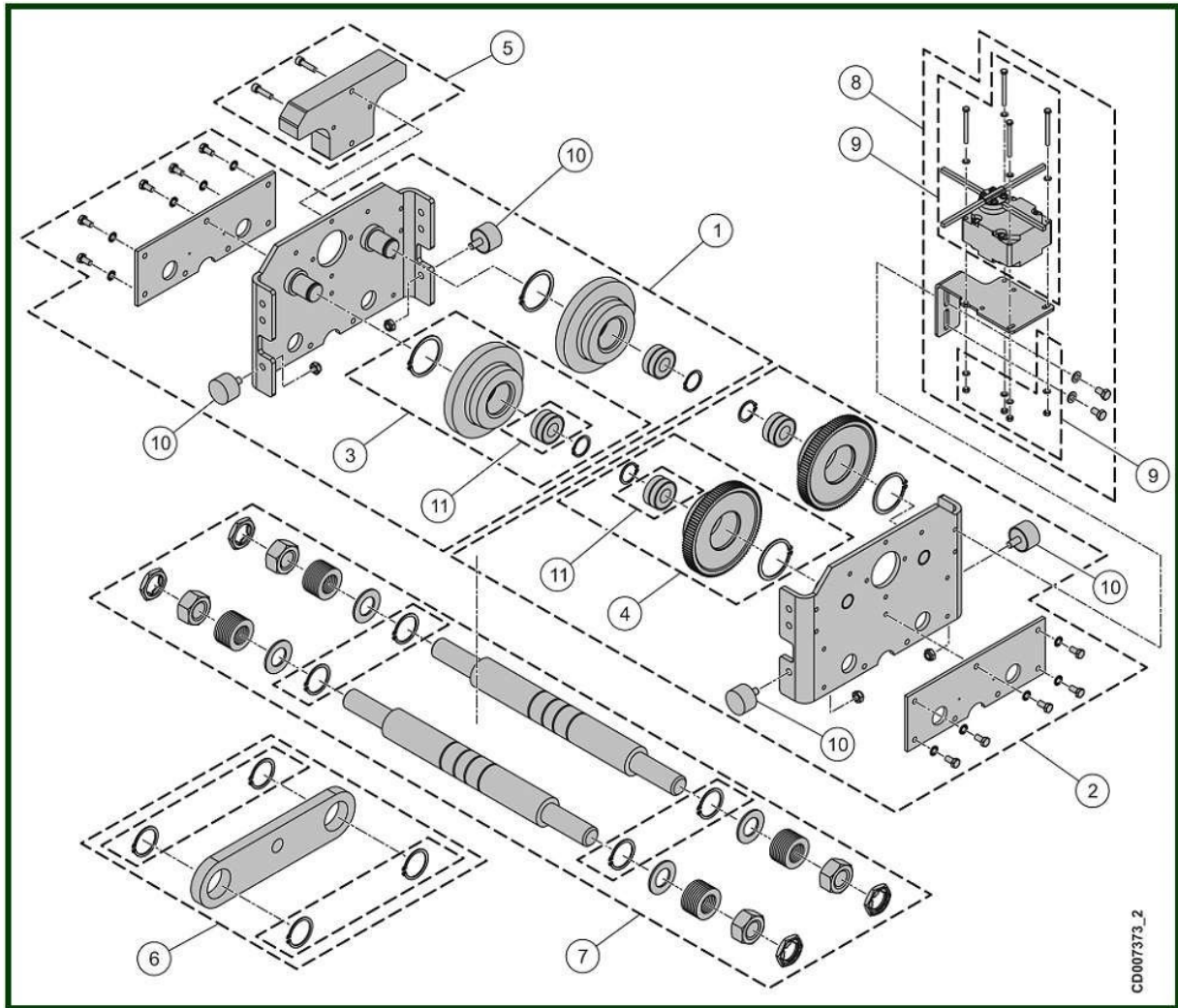
C3 trolley- 2001 to 3200 kg - Hanging version

NHT

Item	Reference	Description	Observation	Quantity
1	<u>VT0007092</u>	Idler side plate assembly		1
2	<u>VT0007093</u>	Drive side plate assembly		1
3	<u>VT0008782</u>	Travel wheel idler without shaft		1
4	<u>VT0008783</u>	Driving wheel without shaft		1
5	<u>VT0008837</u>	Set of counterweight		1
6	<u>VT0007094</u>	Joint part	Hanging version	1
7	<u>VT0007040</u>	Tie rod set beam- 82 to 137 mm	Monobloc tie road since 1999	1
7	<u>VT0007041</u>	Tie rod set beam- 140 to 190 mm	Monobloc tie road since 1999	1
7	<u>VT0007042</u>	Tie rod set beam- 198 to 248 mm	Monobloc tie road since 1999	1
7	<u>VT0007043</u>	Tie rod set beam- 260 to 310 mm	Monobloc tie road since 1999	1
7	<u>VT0008785</u>	Tie rod set beam- 311 to 350 mm	Monobloc tie road since 1999	1
8	<u>VT0007098</u>	Limit switch - 1 step		1
8	<u>VT0008775</u>	Limit switch - 2 steps		1
9	<u>VT0008776</u>	Travelling limit switch assembly - 1 step		1
9	<u>VT0008777</u>	Travelling limit switch assembly - 2 steps		1
10	<u>VT0007088</u>	Rubber buffer	40X20 M10	1
11	<u>VT0008786</u>	Ball bearing		1

7.2. C3 trolley- 2001 à 3200 kg - Coupled version

HPN



CD007373_2

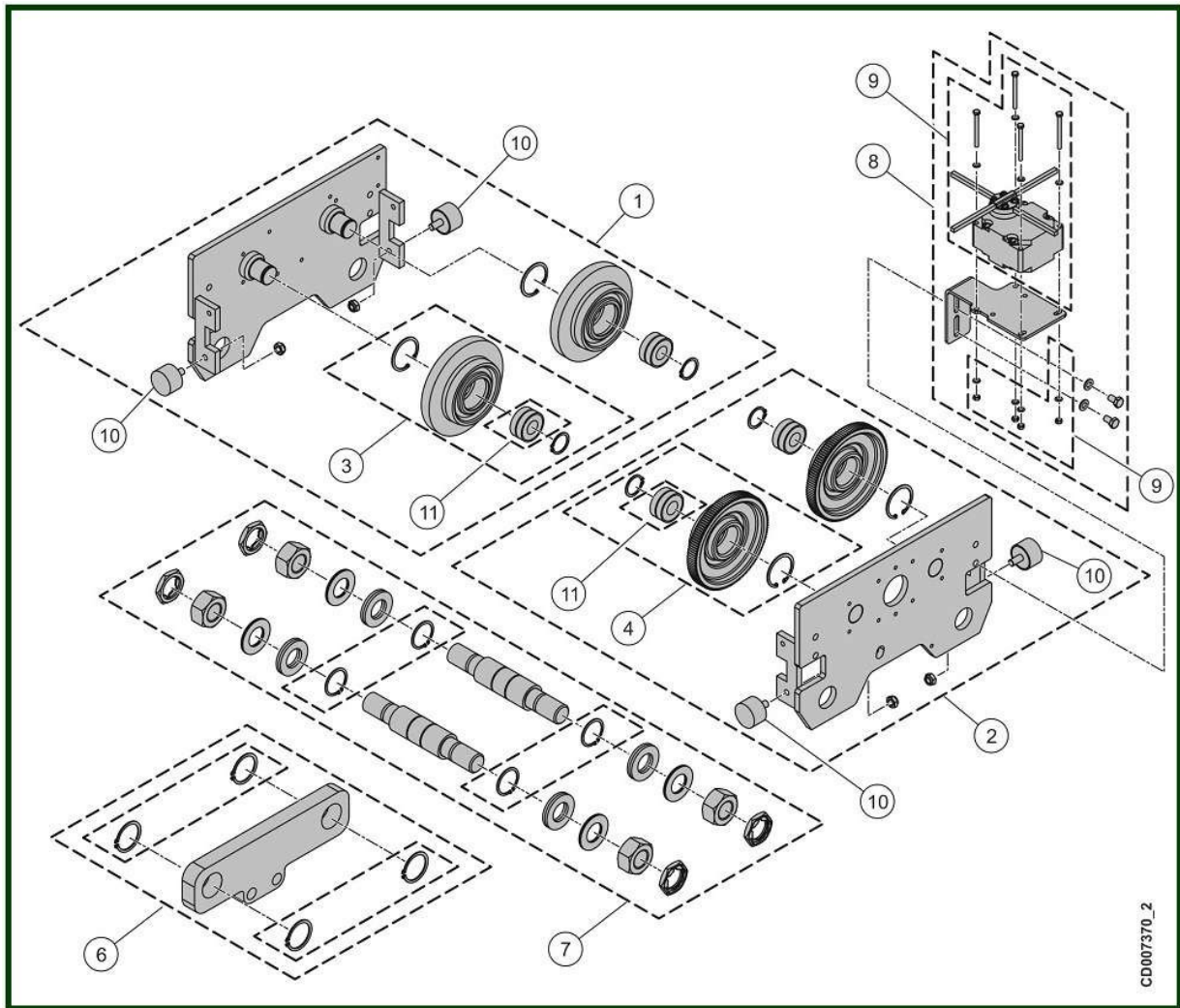
C3 trolley- 2001 à 3200 kg - Coupled version

HPN

Item	Reference	Description	Observation	Quantity
1	<u>VT0007092</u>	Idler side plate assembly		1
2	<u>VT0007093</u>	Drive side plate assembly		1
3	<u>VT0008782</u>	Travel wheel idler without shaft		1
4	<u>VT0008783</u>	Driving wheel without shaft		1
5	<u>VT0008837</u>	Set of counterweight		1
6	<u>VT0007095</u>	Joint part	Coupled version	1
7	<u>VT0007040</u>	Tie rod set beam- 82 à 137 mm	Monobloc tie road since 1999	1
7	<u>VT0007041</u>	Tie rod set beam- 140 à 190 mm	Monobloc tie road since 1999	1
7	<u>VT0007042</u>	Tie rod set beam- 198 à 248 mm	Monobloc tie road since 1999	1
7	<u>VT0007043</u>	Tie rod set beam- 260 à 310 mm	Monobloc tie road since 1999	1
7	<u>VT0008785</u>	Tie rod set beam- 311 à 350 mm	Monobloc tie road since 1999	1
8	<u>VT0007098</u>	Limit switch - 1 step		1
8	<u>VT0008775</u>	Limit switch - 2 steps		1
9	<u>VT0008776</u>	Travelling limit switch assembly 1 step		1
9	<u>VT0008777</u>	Travelling limit switch assembly 2 steps		1
10	<u>VT0007088</u>	Rubber buffer	40X20 M10	1
11	<u>VT0008786</u>	Ball bearing		1

7.3. C5 trolley- 3200 to 5000 kg - Coupled version

NHT

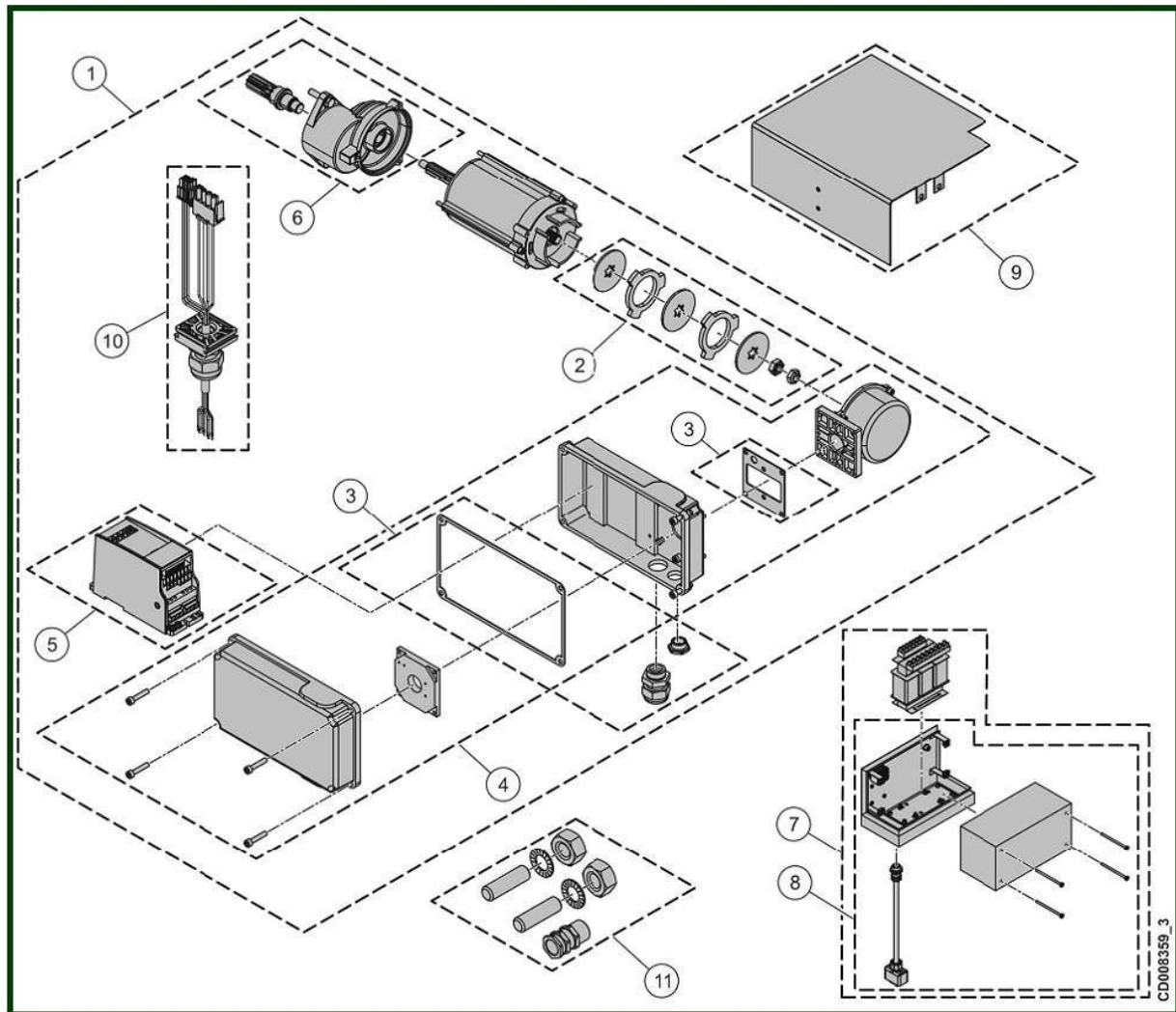


C5 trolley- 3200 to 5000 kg - Coupled version

NHT

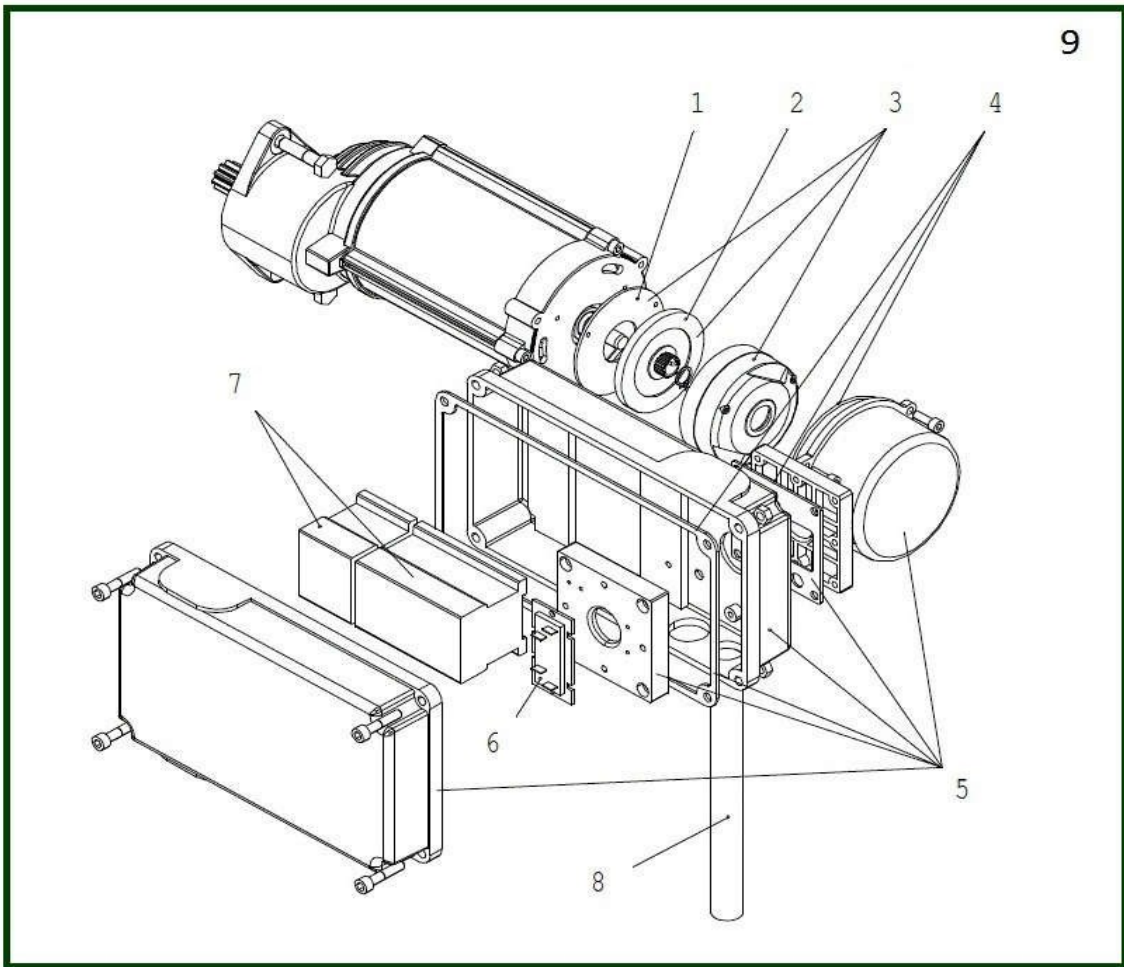
Item	Reference	Description	Observation	Quantity
1	<u>VT0008790</u>	Idler side plate assembly		1
2	<u>VT0008791</u>	Drive side plate assembly		1
3	<u>VT0008787</u>	Travel wheel idler without shaft		1
4	<u>VT0008788</u>	Driving wheel without shaft		1
6	<u>VT0008176</u>	Joint part	Coupled version	1
7	<u>VT0007044</u>	Tie rod set beam - 82 to 110 mm		1
7	<u>VT0007045</u>	Tie rod set beam - 113 to 150 mm		1
7	<u>VT0007046</u>	Tie rod set beam - 155 to 200 mm		1
7	<u>VT0007047</u>	Tie rod set beam - 206 to 248 mm		1
7	<u>VT0007048</u>	Tie rod set beam - 260 to 310 mm		1
8	<u>VT0007098</u>	Limit switch - 1 step		1
8	<u>VT0008775</u>	Limit switch - 2 steps		1
9	<u>VT0008776</u>	Travelling limit switch assembly 1 step		1
9	<u>VT0008777</u>	Travelling limit switch assembly 2 steps		1
10	<u>VT0007088</u>	Rubber buffer	40X20 M10	1
11	<u>VT0008789</u>	Ball bearing		2

7.4. Inverter TMU motor



Item	Reference	Description	Observation	Quantity
1	52890308	Travelling machinery - TMU1	42-230V < 1000 Kg	1
1	52890306	Travelling machinery - TMU2	42-230V > 1000 Kg to 2000	1
2	52296293	Brake repair Set	M06-001V	1
3	52300292	Sealing set	M06-008V	1
4	52907130	Housing set	M06-022V	1
5	52387783	Inverter VT003 TMK003.380 460V/ ctrl 42 230V	Since January 2015 for motor already equipped of this inverter	1
6	52297191	Reducer	GEL105PT1B0	1
7	52303806	Control panel	T50E-TE07	1
8	53050878	Housing set	UKTM/ALTM-NEW	1
9	52305058	Rain cover	All models C1 to C5	1
10	53110165	Connection cable	TMU 1&2	1
11	52908158	Kit fixation		1

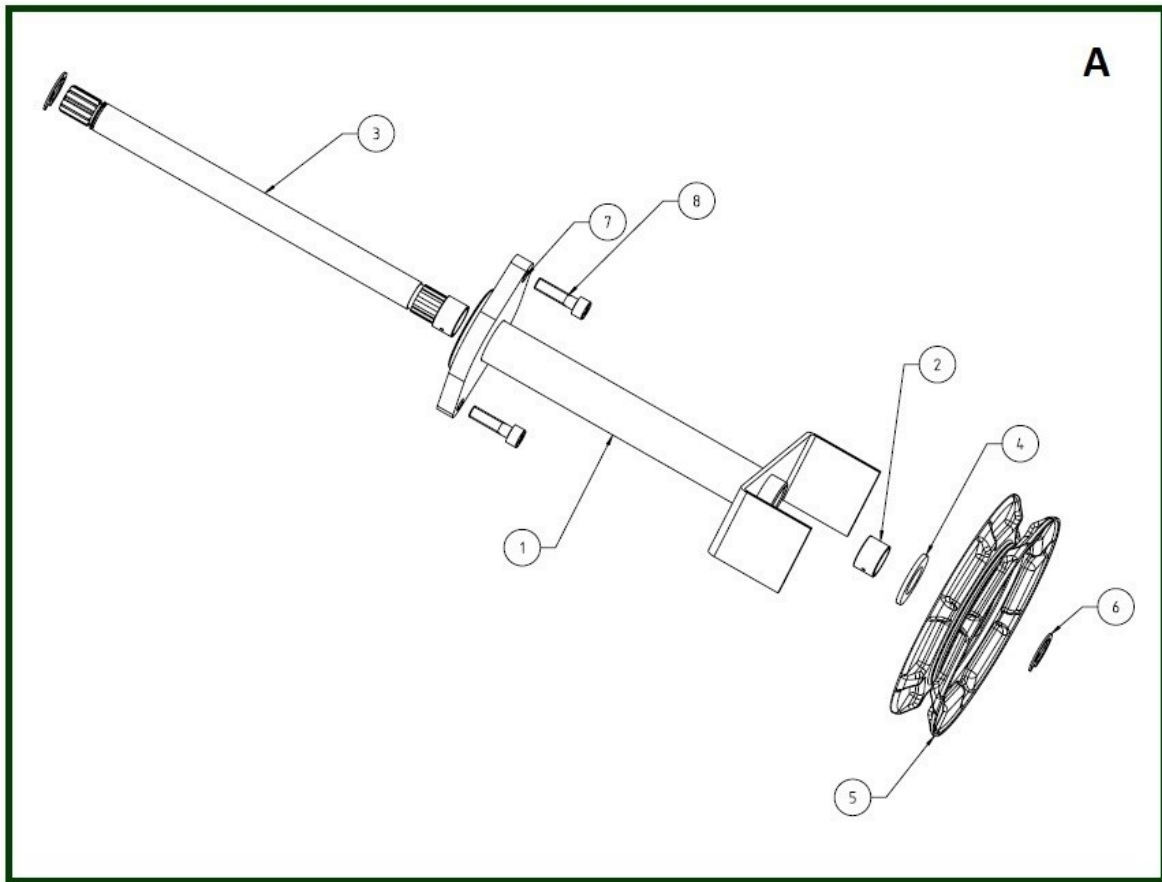
7.5. TMU motor 2 speeds



TMU motor 2 speeds

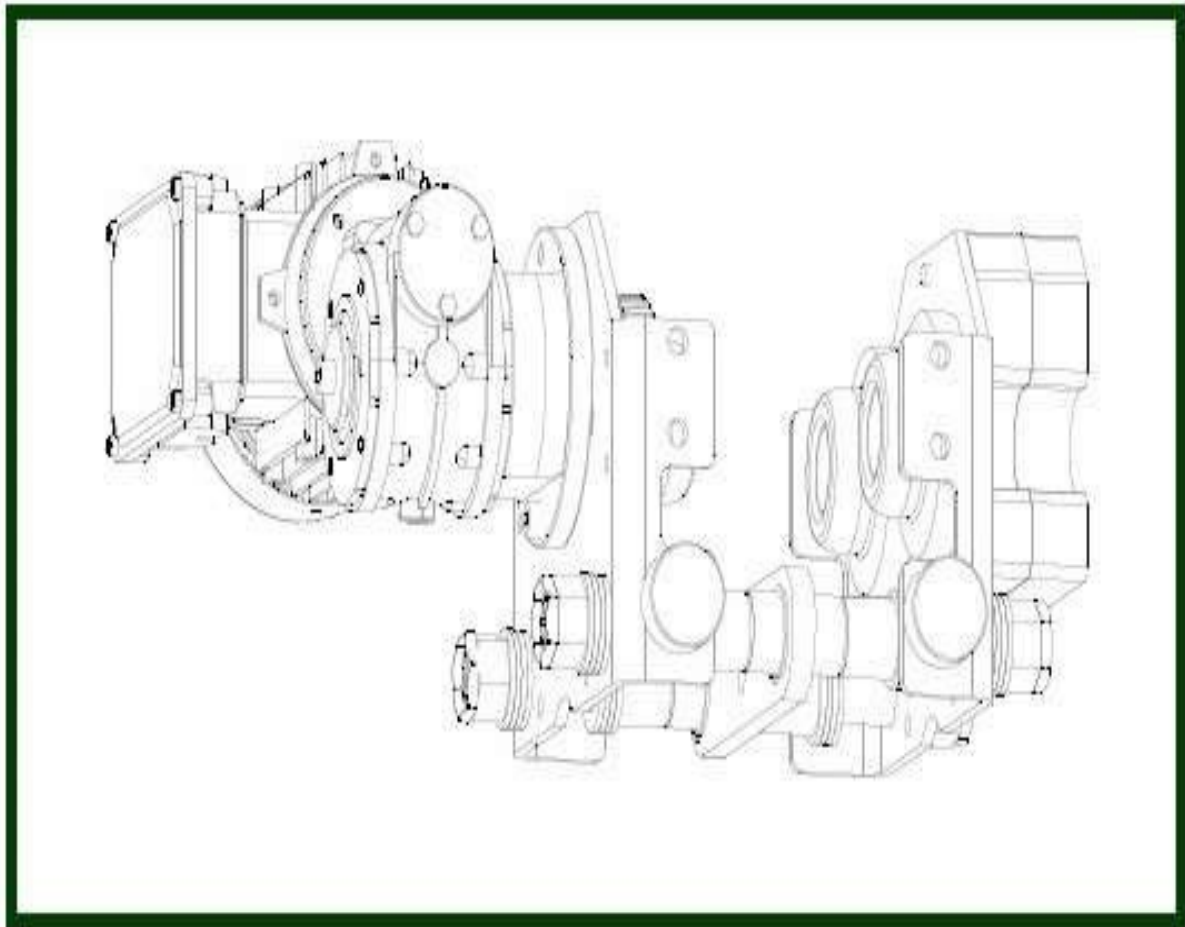
Item	Reference	Description	Observation	Quantity
1	<u>52269590</u>	Friction plate		1
2	<u>52269587</u>	Brake disc		1
3	<u>52318378</u>	Brake disc 180V	MF06MA104	1
3	<u>52318416</u>	Brake disc 240V	MF06MA104	1
3	<u>52318424</u>	Brake disc 290V	MF06MA104	1
4	<u>52300292</u>	Sealing set	M06-008V	1
5	<u>52300291</u>	Terminal box	M06-007V	1
6	<u>15823007</u>	Rectifier	Motor 220V	1
6	<u>15823006</u>	Rectifier	Motor 380 to 550V	1
7	<u>1123052</u>	Reversing contactor	110V	1
7	<u>1113097</u>	Reversing contactor	230V	1
7	<u>1113023</u>	Reversing contactor 400V/48V - LC2ECO9E	LC2ECO9E (7531023V) Hoisting cross travelling	1
7	<u>1113098</u>	Main contactor KAU	230 V 50/60 Hz	1
7	<u>1113021</u>	Selector contactor	48V	1
7	<u>1123050</u>	Selector contactor	110V	1
8	<u>53110165</u>	Connection cable	TMU 1&2	1
9	<u>52782175</u>	TMU motor 2 speeds	230V/48V 50 Hz	1
9	<u>52782173</u>	TMU motor 2 speeds	230V/115V 60 Hz - Standard	1
9	<u>52782176</u>	TMU motor 2 speeds	400V/48V 50 Hz	1
9	<u>52782171</u>	TMU motor 2 speeds	460V/115V 60 Hz - Standard	1
9	<u>52782177</u>	TMU motor 2 speeds	500V/48V 50 Hz	1
9	<u>52782172</u>	TMU motor 2 speeds	575V/115V 60 Hz - Standard	1
-	<u>52305058</u>	Rain cover	All models C1 to C5	1

7.6. Chain travel



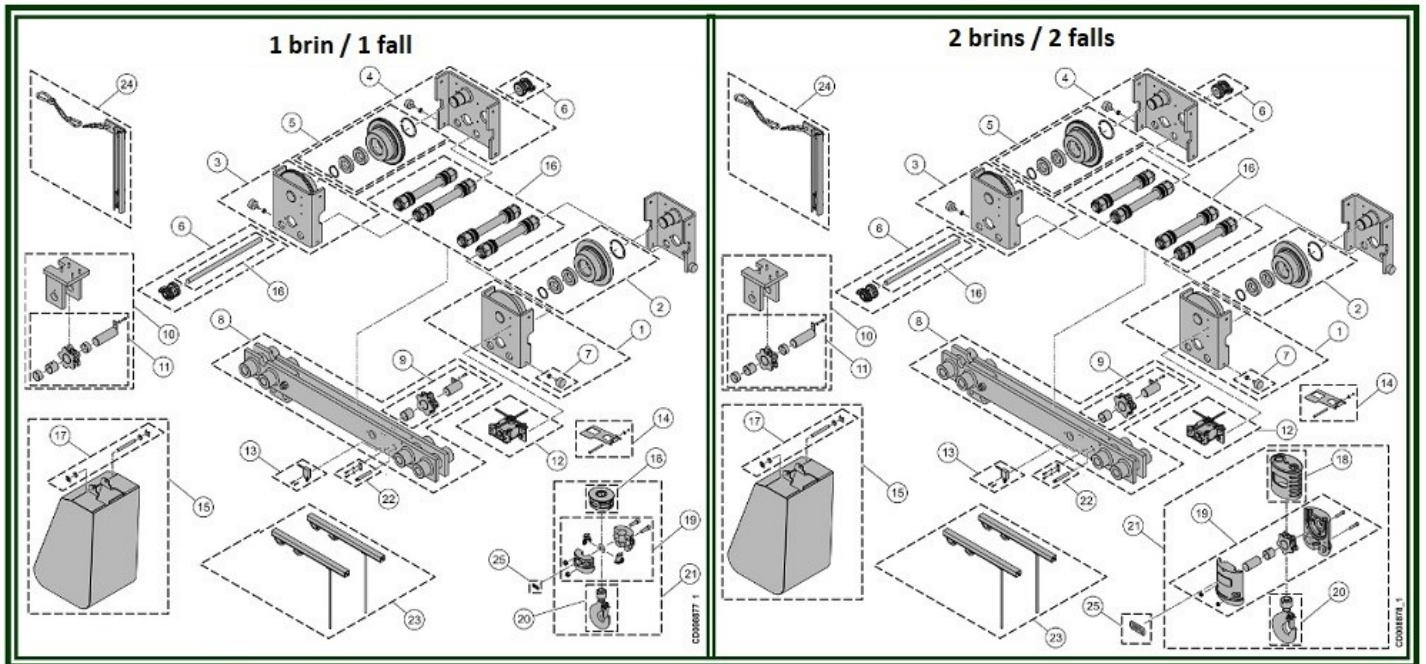
Item	Reference	Description	Observations	Quantity
1	53155221	CHM shaft		1
2	52845788	Radial sliding bearing		1
3	53155216	Axle		1
4	52294797	Plain washer		1
5	52724779	Travelling hand wheel - \varnothing 165 mm		1
6	52846624	Circlips D.20X1.2mm		1
7	52738485	Contact washer		1
8	52286823	Screw M8x30	DIN912	1
	820003	Galvanized chain - 5x27.1		1
	53020194	Precut galvanized chain - 5x27.1		M
A	53155441	Chain operated manual travelling	For C1 to C5	1

7.7. Right angle motor

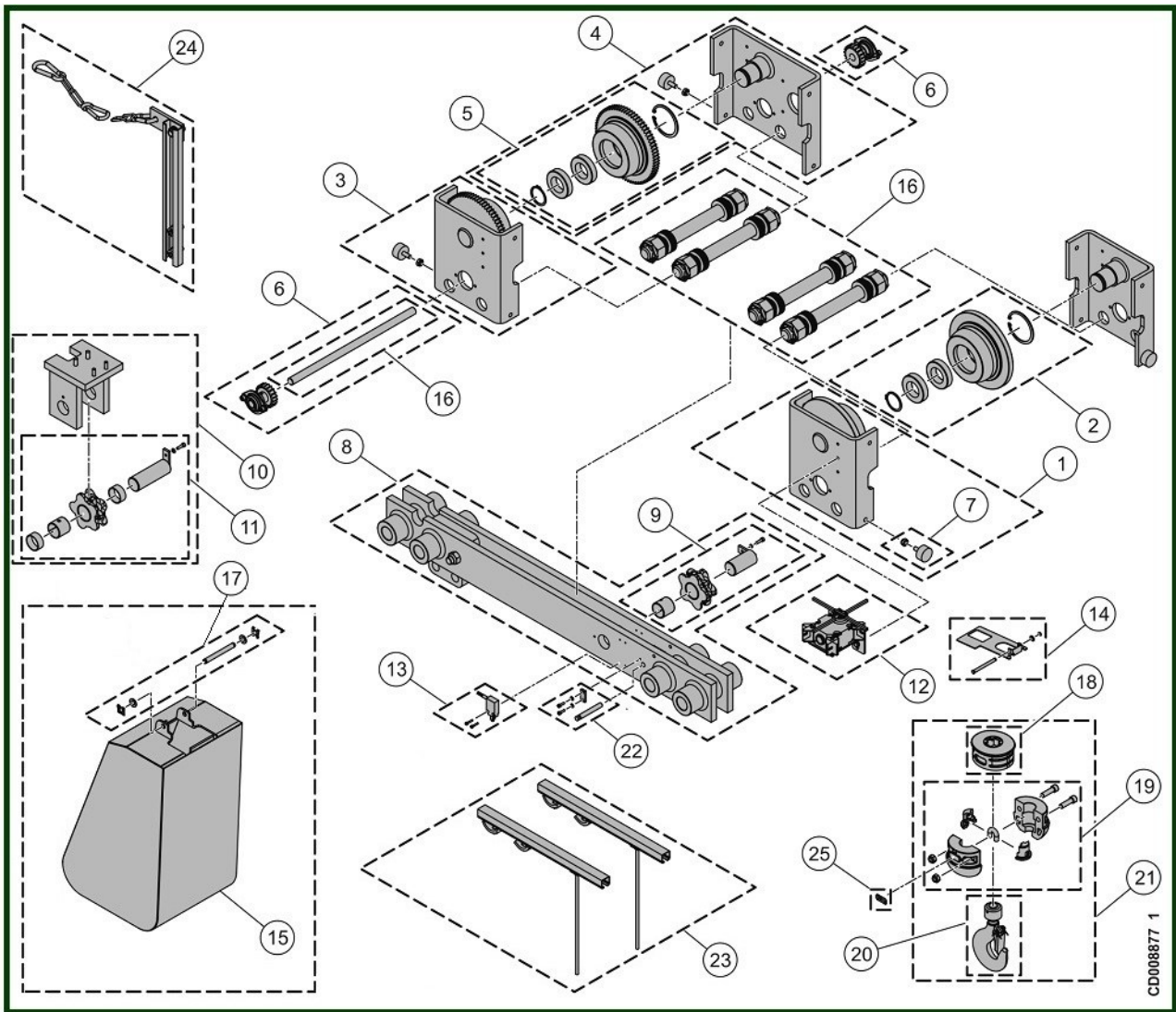


Item	Reference	Description	Observation	Quantity
	551037	Cubicle + Mac 2 pcb		1
	2216904	GMR adaptation set for right angle motor	Pinion, flange, screws	1
	556972	Right angle travelling machinery	Speed 10 & 2.5m/min For C1-C2-C3	1
	2133033	CI board	2VD - MAC	1

8. LOW HEADROOM TROLLEY



8.1. LHT - 1 fall

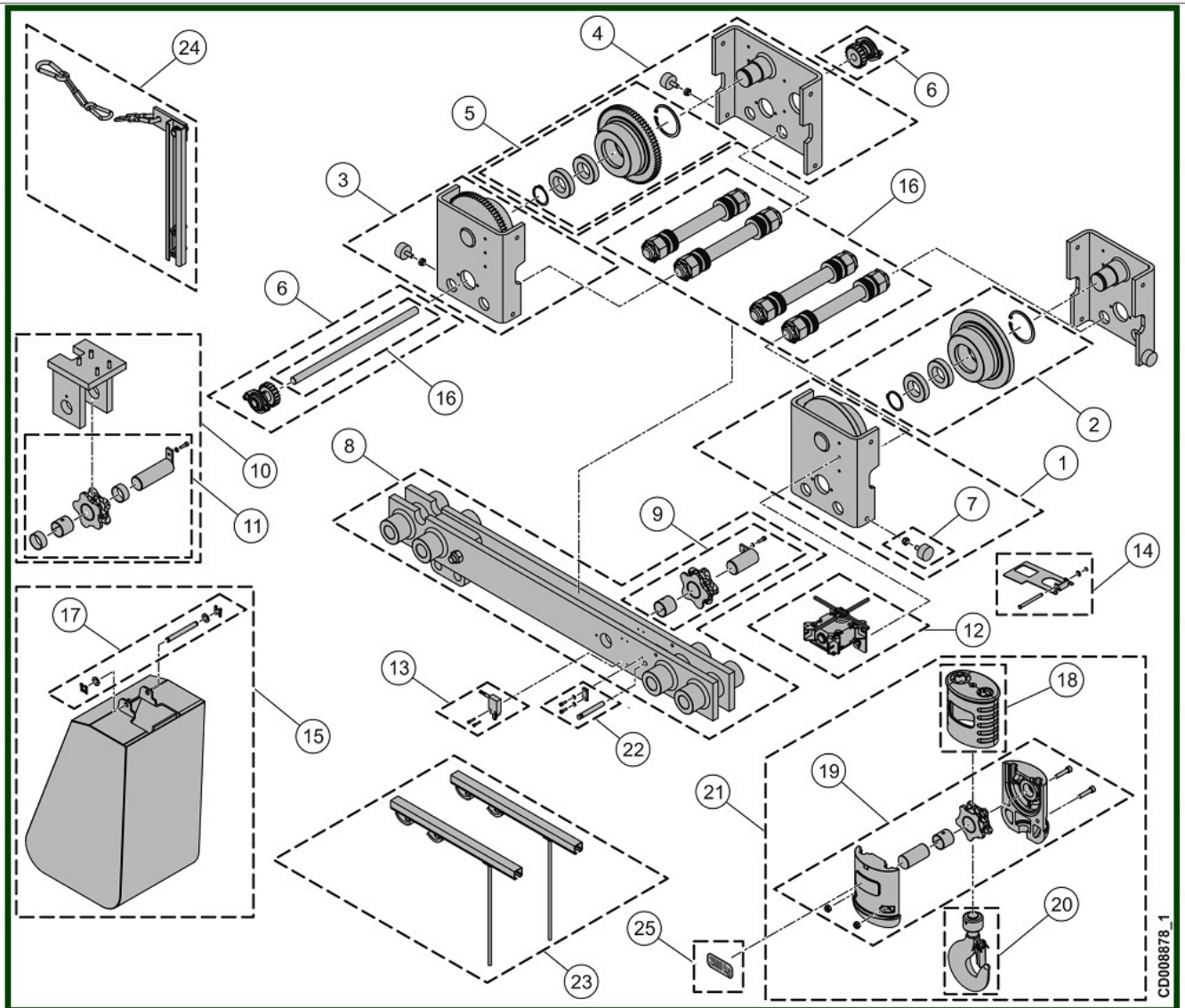


LHT – 1 fall

Item	Reference	Description	Observation	Quantity
1	<u>VT0009490</u>	Side plate - Travel wheel beam	T75E-SF06	2
2	<u>VT0009491</u>	Wheel set; Idle		2
3	<u>VT0009492</u>	Side plate - Driving (BOGGIE)	T75E-SD06	1
4	<u>VT0009493</u>	Side plate - Driving	T75E-SD07	1
5	<u>VT0009494</u>	Wheel set - Driving		2
6	<u>VT0009495</u>	Shaft set	L460	1
7	<u>VT0009496</u>	Rubber	D40 L45 M10	4
8	<u>VT0009497</u>	Cross bar	For iron from 130mm to 209mm	1
8	<u>VT0009498</u>	Cross bar	For iron from 210mm to 310mm	1
9	<u>VT0009340</u>	Return sprocket		1
10	<u>VT0009214</u>	Chain sprocket		1
11	<u>VT0009331</u>	Lifting sprocket		1
12	<u>VT0009499</u>	Limit switch assembly	1 step	1
12	<u>VT0009500</u>	Limit switch assembly	2 steps	1
13	<u>VT0009079</u>	Limit switch assembly		1
14	<u>VT0009078</u>	Limit switch activator set		1
15	<u>VT0006603</u>	Chain bucket set	12 & 16m	1
15	<u>VT0007223</u>	Chain bucket set	30m - L300 W382 H613	1
15	<u>VT0009501</u>	Chain bucket set	50m - L300 W421,5 H811,5	1
16	<u>VT0009482</u>	Tie rod	L 130/138	1
16	<u>VT0009483</u>	Tie rod	L 139/150	1
16	<u>VT0009484</u>	Tie rod	L 151/189	1
16	<u>VT0009485</u>	Tie rod	L 190/197	1
16	<u>VT0009486</u>	Tie rod	L 198/200	1
16	<u>VT0009487</u>	Tie rod	L 201/249	1
16	<u>VT0009488</u>	Tie rod	L 250/299	1
16	<u>VT0009489</u>	Tie rod	L 300/310	1
17	<u>VT0006604</u>	Fixing set of chain bucket	12m & 16m	1
17	<u>VT0009502</u>	Fixing set of chain bucket	30m & 50m	1
18	<u>VT0009503</u>	Buffer		1
19	<u>VT0006593</u>	Half casing set		1
20	<u>VT0006600</u>	Hook assembly	Standard - RSN08	1
21	<u>VT0009505</u>	Complete hook block		1
23	<u>VT0009508</u>	Limit switch activator set		1

24	<u>VT0008761</u>	Towing arm	L 250	1
24	<u>VT0008762</u>	Towing arm	L 450	1
25	<u>VT0006599</u>	Set of 10 load plates - Hook	2500 Kg	1

8.2. LHT - 2 falls



LHT – 2 falls

Elément	Référence	Description	Observation	Quantité
1	<u>VT0009490</u>	Side plate - Travel wheel beam	T75E-SF06	2
2	<u>VT0009491</u>	Wheel set; Idle		2
3	<u>VT0009492</u>	Side plate - Driving (BOGGIE)	T75E-SD06	1
4	<u>VT0009493</u>	Side plate - Driving	T75E-SD07	1
5	<u>VT0009494</u>	Wheel set - Driving		2
6	<u>VT0009495</u>	Shaft set	L460	1
7	<u>VT0009496</u>	Rubber	D40 L45 M10	4
8	<u>VT0009497</u>	Cross bar	For iron from 130mm to 209mm	1
8	<u>VT0009498</u>	Cross bar	For iron from 210mm to 310mm	1
9	<u>VT0009340</u>	Return sprocket		1
10	<u>VT0009214</u>	Chain sprocket		1
11	<u>VT0009331</u>	Lifting sprocket		1
12	<u>VT0009499</u>	Limit switch assembly	1 step	1
12	<u>VT0009500</u>	Limit switch assembly	2 steps	1
13	<u>VT0009079</u>	Limit switch assembly		1
14	<u>VT0009078</u>	Limit switch activator set		1
15	<u>VT0006603</u>	Chain bucket set	12 & 16m	1
15	<u>VT0007223</u>	Chain bucket set	30m - L300 W382 H613	1
15	<u>VT0009501</u>	Chain bucket set	50m - L300 W421,5 H811,5	1
16	<u>VT0009482</u>	Tie rod	L 130/138	1
16	<u>VT0009483</u>	Tie rod	L 139/150	1
16	<u>VT0009484</u>	Tie rod	L 151/189	1
16	<u>VT0009485</u>	Tie rod	L 190/197	1
16	<u>VT0009486</u>	Tie rod	L 198/200	1
16	<u>VT0009487</u>	Tie rod	L 201/249	1
16	<u>VT0009488</u>	Tie rod	L 250/299	1
16	<u>VT0009489</u>	Tie rod	L 300/310	1
17	<u>VT0006604</u>	Fixing set of chain bucket	12m & 16m	1
17	<u>VT0009502</u>	Fixing set of chain bucket	30m & 50m	1
18	<u>VT0009504</u>	Buffer		1
19	<u>VT0006611</u>	Half casing set		1
20	<u>VT0006613</u>	Hook assembly	Standard - RSN08	1
21	<u>VT0009506</u>	Complete hook block		1
22	<u>VT0009507</u>	Anchor set		

23	<u>VT0009508</u>	Limit switch activator set		1
24	<u>VT0008761</u>	Towing arm	L 250	1
24	<u>VT0008762</u>	Towing arm	L 450	1
25	<u>VT0006599</u>	Set of 10 load plates - Hook	2500 Kg	1
26	<u>VT0007826</u>	Set of 10 load plates - Hook	5000 Kg	1