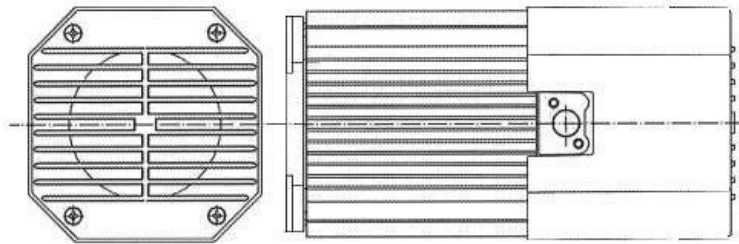


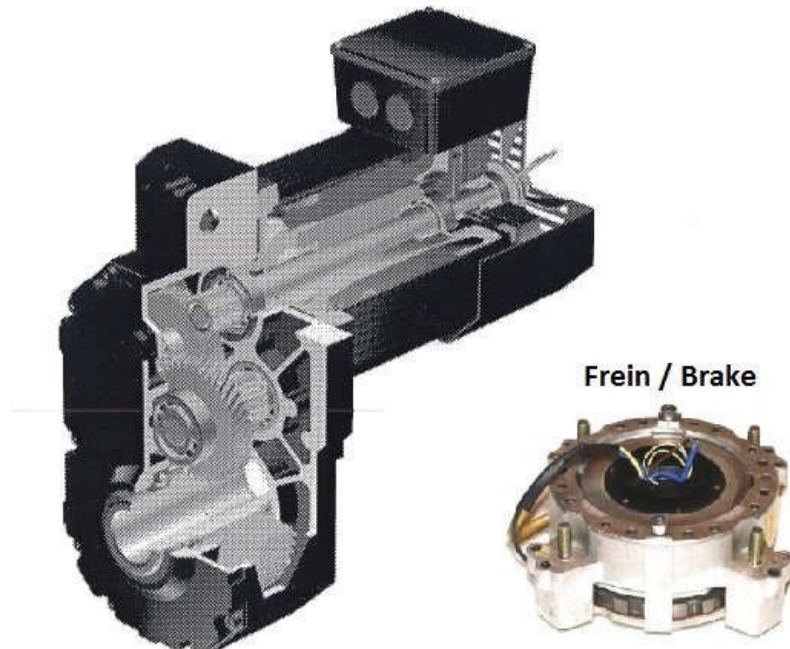
Spare parts catalogue for « VS Motor s »

To avoid errors, when ordering please specify:
Complete type of hoist
Date of manufacture and serial number
Spare part code
Spare part designation
Additional information

Moteur de levage pour palan VS / Lifting motor for VS hoist



Moteur et réducteurs de direction et de translation depuis 1991 Travelling motor and gearbox cross / long travelling

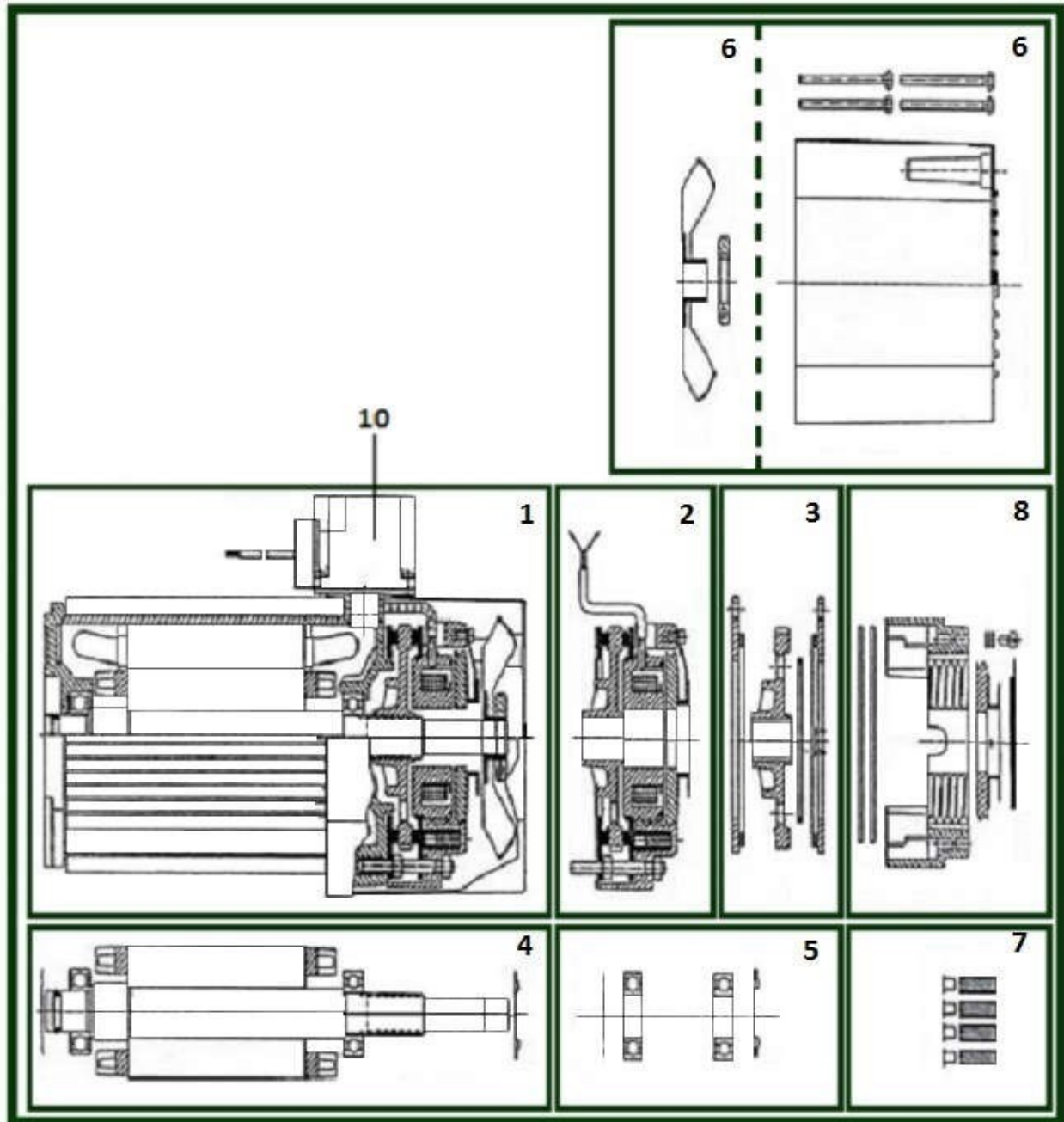


1. VS MOTOR N1- MF09ZA.....	3
2. VS MOTOR N2 - MF10ZA.....	5
3. VS MOTOR N3 MF11ZA.....	7
4. VS MOTOR N4 MF13ZA.....	9
5. VS MOTOR N5 MF16ZA.....	12
6. TRAVELLING MOTOR MF07	14
6.1. Travelling Motor MF07 with WIELAND Plug	16
6.2. Travelling motor MF07 with plastic plug.....	18
7. TRAVELLING MOTOR MF09	20
7.1. Pinion.....	20
7.2. Travelling motor MF09 – After 1994.....	21
7.3. Travelling motor MF09L – Before 1994.....	24
7.4. Travelling motor MF09M14 - Before 1994.....	25
8. TRAVELLING MOTOR MF10/11/13	26
9. VS MOTOR D2 - MF10 - Manuel brake	27
10. VS MOTOR D3 - MF11 – Manuel brake.....	28
11. VS MOTOR D4 - MF13 - Manuel brake	29

1. VS MOTOR N1- MF09ZA

P=1.90/0.3Kw

Always specify the complete motor type

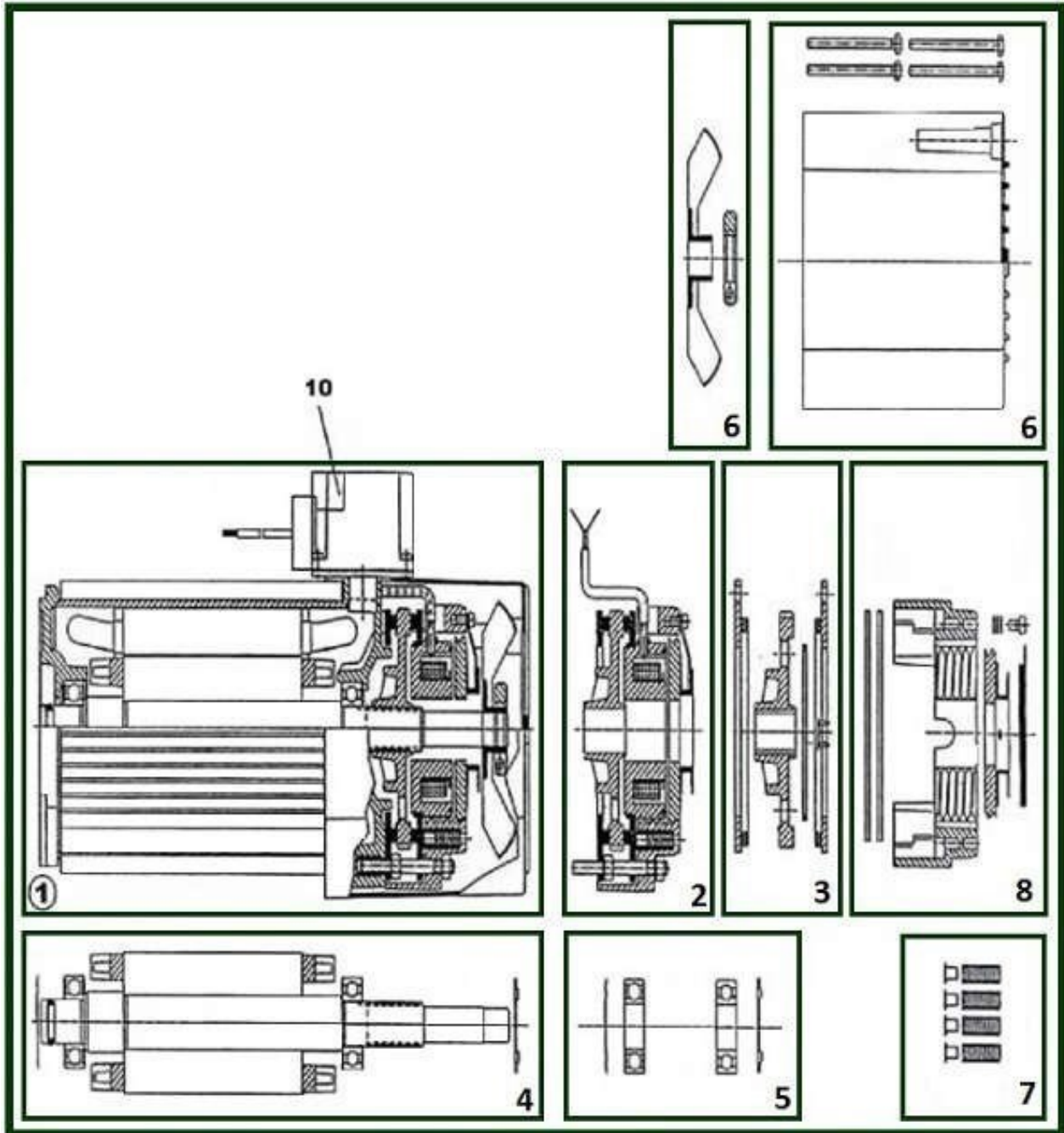


VS MOTOR N1- MF09ZA

Item	Reference	Description	Observation	Quantity
1	<u>1117002</u>	Complete motor 1.9/0.3 kw 230V/50Hz	VS1..N1..	1
1	<u>1117001</u>	Complete motor 1,9/0,3 kw 400V/50HZ/460V/60HZ	VS1..N1..	1
1	<u>1117003</u>	Complete motor 1.9/0.3 kw 415V/50HZ/480V/60HZ	VS1..N1..	1
1	<u>1117004</u>	Complete motor 1,9/0,3 kw 380V/50HZ 440V/60HZ	VS1..N1..	1
2	<u>11170214</u>	Complete brake	Mot 660 à 690V	1
2	<u>11170215</u>	Complete brake - 100V	Mot 200 à 240V	1
2	<u>11170212</u>	Complete brake - 190V	Mot 346 à 480V	1
2	<u>11170213</u>	Complete brake - 220V	Mot 500 à 600V	1
3	<u>11171031</u>	Brake repairing set	VS1..N1..	1
4	Nous consulter	Complete rotor	Engine serial number required	1
5	<u>11171051</u>	Bearing set	VS1..N1..	1
6	<u>11171061</u>	Fan & cover	VS1..N1..	1
7	<u>11171071</u>	Brake springs	VS1..N1..	1
8	<u>11171081</u>	Autom. Adjusting repairing set	VS1..N1..	1
10	<u>1113070</u>	Connecting box	VS1..N1..	1
11	<u>11171151</u>	End plate + seal	The coupling must be ordered with the hoisting motor	1
12	<u>11171161</u>	End plate + seal	The coupling must be ordered with the hoisting motor	1
-	<u>P1G0005</u>	Coupling	To February 1996	1
-	<u>11170157</u>	Brake coil 100V & brake repair kit	Not available anymore	1
-	<u>11170156</u>	Brake coil 190V & brake repair kit	Not available anymore	1
-	<u>1115062</u>	Rectifier		1
	<u>52321139</u>	Retrofit kit for manual control	Motor NF09 after N°374992 and MF10 after N°375002	1

2. VS MOTOR N2 - MF10ZA

P=3.5/0.5Kw

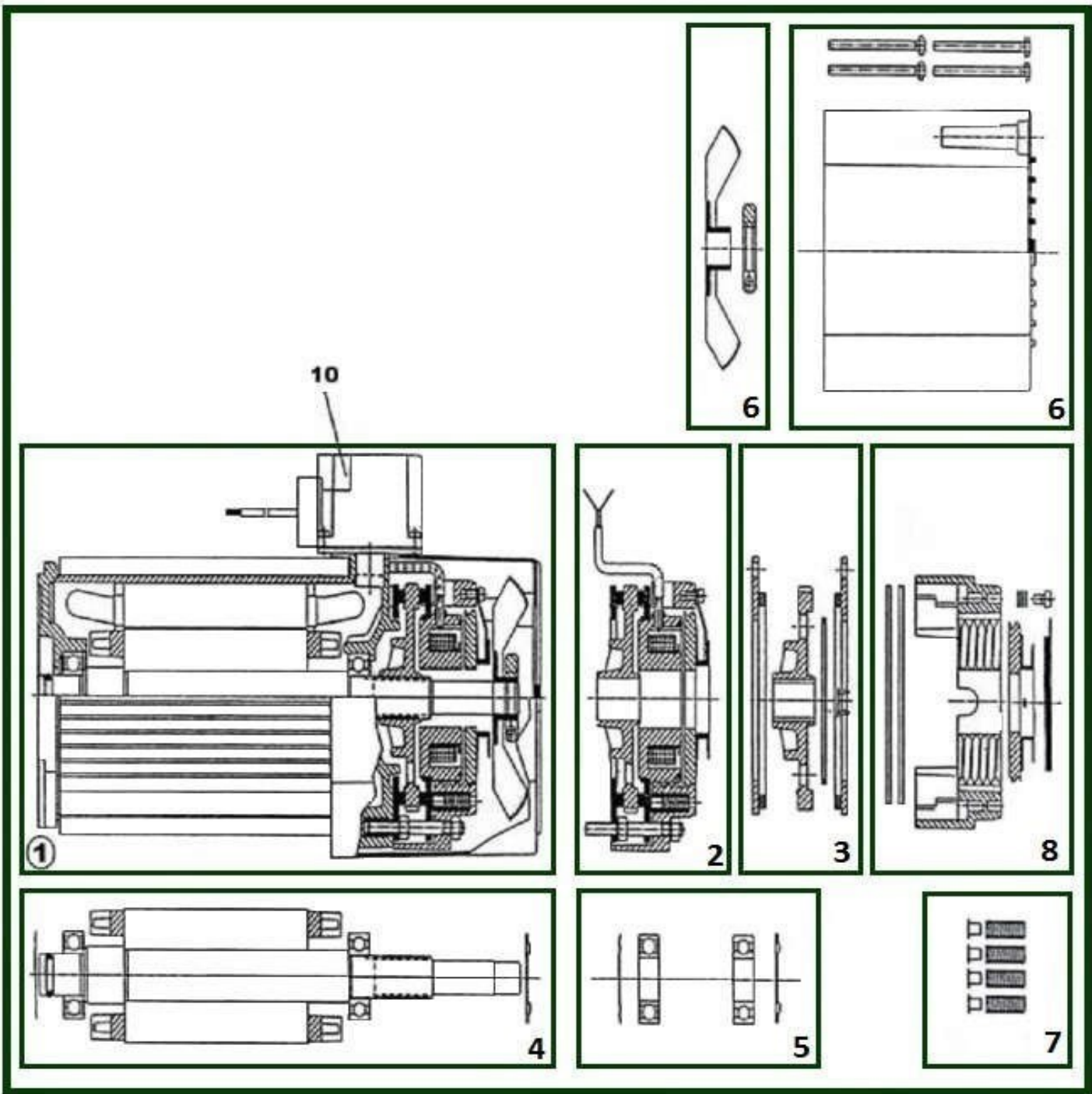


VS motor N2 - MF10ZA

Item	Reference	Description	Observation	Quantity
1	<u>1127002</u>	Complete motor 3,5/0,5Kw 230V/50Hz	VS2/3.. N2 ..	1
1	<u>1127004</u>	Complete motor 3,5/0,5Kw 380V/50Hz-440V/60Hz	VS2/3.. N2 ..	1
1	<u>1127001</u>	Complete motor 3,5/0,5Kw 400V/50Hz-460V/60Hz	VS2/3.. N2 ..	1
1	<u>1127003</u>	Complete motor 3,5/0,5Kw 415V/50Hz-480V/60Hz	VS2/3.. N2 ..	1
2	<u>11270215</u>	Complete brake - 100V	Mot 200 to 240V	1
2	<u>11270212</u>	Complete brake - 190V	Mot 346 to 480V	1
2	<u>11270213</u>	Complete brake	Mot 500 to 600V	1
2	<u>11270214</u>	Complete brake	Mot 660 to 690V	1
2	<u>11270623</u>	Complete brake	Mot G2 400V manual (coil 220V)	1
3	<u>11171031</u>	Brake repairing set	VS2/3.. N2 ..	1
4	Nous consulter	Complete rotor	Communicate serial number	1
5	<u>11171051</u>	Bearing set	VS2/3.. N2 ..	1
6	<u>11272061</u>	Fan & cover	VS2/3.. N2 ..	1
7	<u>11272071</u>	Brake springs	VS2/3.. N2 ..	1
8	<u>11171081</u>	Autom. Adjusting repairing set	VS2/3.. N2 ..	1
9	<u>11170158</u>	Electrical fan	VS2/3.. N2 ..	1
10	<u>1113070</u>	Connecting box		1
11	<u>11371151</u>	End flange + seal - Gearbox side	The coupling must be ordered with the hoisting motor	1
12	<u>11371161</u>	End flange + seal - Brake side	The coupling must be ordered with the hoisting motor	1
13	<u>11270159</u>	Pulse detector	Motor F2/4	1
-	<u>P1G0005</u>	Coupling	Until February1996	1
-	<u>11170157</u>	Brake coil 100V & brake repair kit	Not available anymore	1
-	<u>11170156</u>	Brake coil 190V & brake repair kit	Not available anymore	1
-	<u>1115062</u>	Rectifier		1
	<u>52321139</u>	Retrofit kit for manual adjustment	For motor NF09 after N°374992 and MF10 after N°375002	1

3. VS MOTOR N3 - MF11ZA

P=7.5/1.2Kw

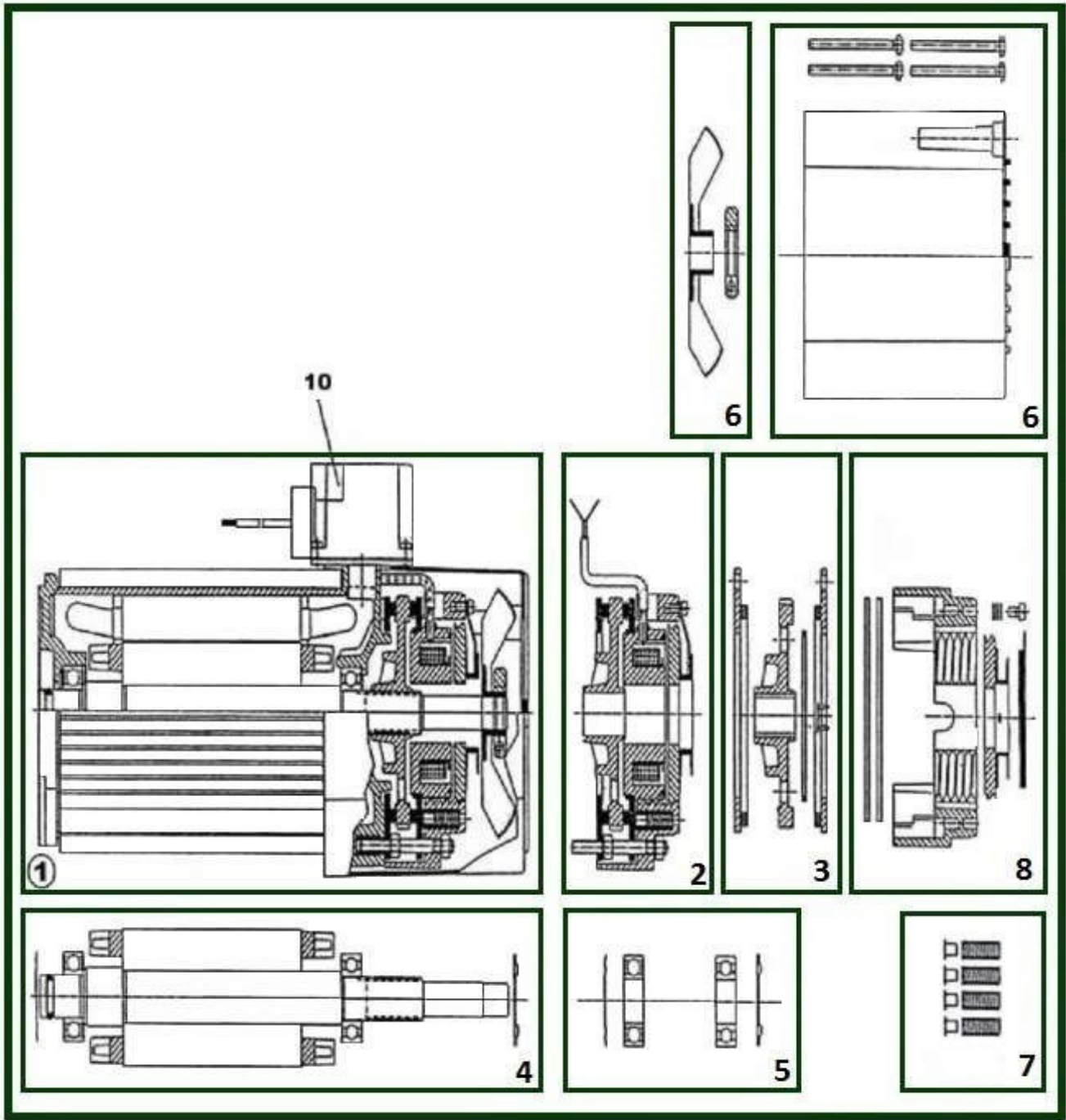


VS motor N3 - MF11ZA

Item	Reference	Description	Observation	Quantity
1	<u>1137002</u>	Motor 230V/50Hz 7,5/1,2Kw	VS3/4...N3..	1
1	<u>1137004</u>	Motor 380V/50Hz - 440V/60Hz 7,5/1,2Kw	VS3/4...N3..	1
1	<u>1137001</u>	Motor 400V/50Hz - 460V/60Hz 7,5/1,2Kw	VS3/4...N3..	1
1	<u>1137003</u>	Motor 415V/50Hz 7,5/1,2Kw	VS3/4...N3..	1
2	<u>11370213</u>	Complete brake	Mot 500 à 600V	1
2	<u>11370214</u>	Complete brake	Mot 660 à 690V	1
2	<u>11370215</u>	Complete brake - 100V	Mot 200 à 240V	1
2	<u>11370212</u>	Complete brake - 190V	Mot 346 à 480V	1
2	<u>11370343</u>	Complete manual brake	Mot G3 400V (220V coil)	1
3	<u>11373031</u>	Brake repairing set		1
4	<u>11373042</u>	Complete rotor	VS3/4.N3/F3	1
5	<u>11373051</u>	Bearing set	VS3/4.N3/F3	1
6	<u>11373061</u>	Fan & cover	VS3/4.N3/F3	1
6a	<u>1137152</u>	Fan	VS3/4.N3/F3	1
7	<u>11373071</u>	Brake springs	VS3/4.N3/F3	1
8	<u>11373081</u>	Autom. Adjusting repairing set	VS3/4.N3/F3	1
10	<u>1113070</u>	Connecting box	VS3/4.N3/F3	1
	<u>11370157</u>	Brake coil 100V & brake repair kit	Not available anymore	1
	<u>11370156</u>	Brake coil 190V & brake repair kit	Not available anymore	1
	<u>11370309</u>	Intensity detector	VS3/4 N3	1
	<u>11371161</u>	End flange + seal - Brake side	The coupling must be ordered with the hoisting motor	1
	<u>11371151</u>	End flange + seal - Gearbox side	The coupling must be ordered with the hoisting motor	1
	<u>MYT28</u>	External fan	For mot F3 only	1
	<u>1115062</u>	Rectifier		1
	<u>P3G0008</u>	Coupling	VS3 N3 - VS4...LN3	1

4. VS MOTOR N4 - MF13ZA

P=15.02/2.5Kw



VS Motor N4 - MF13ZA

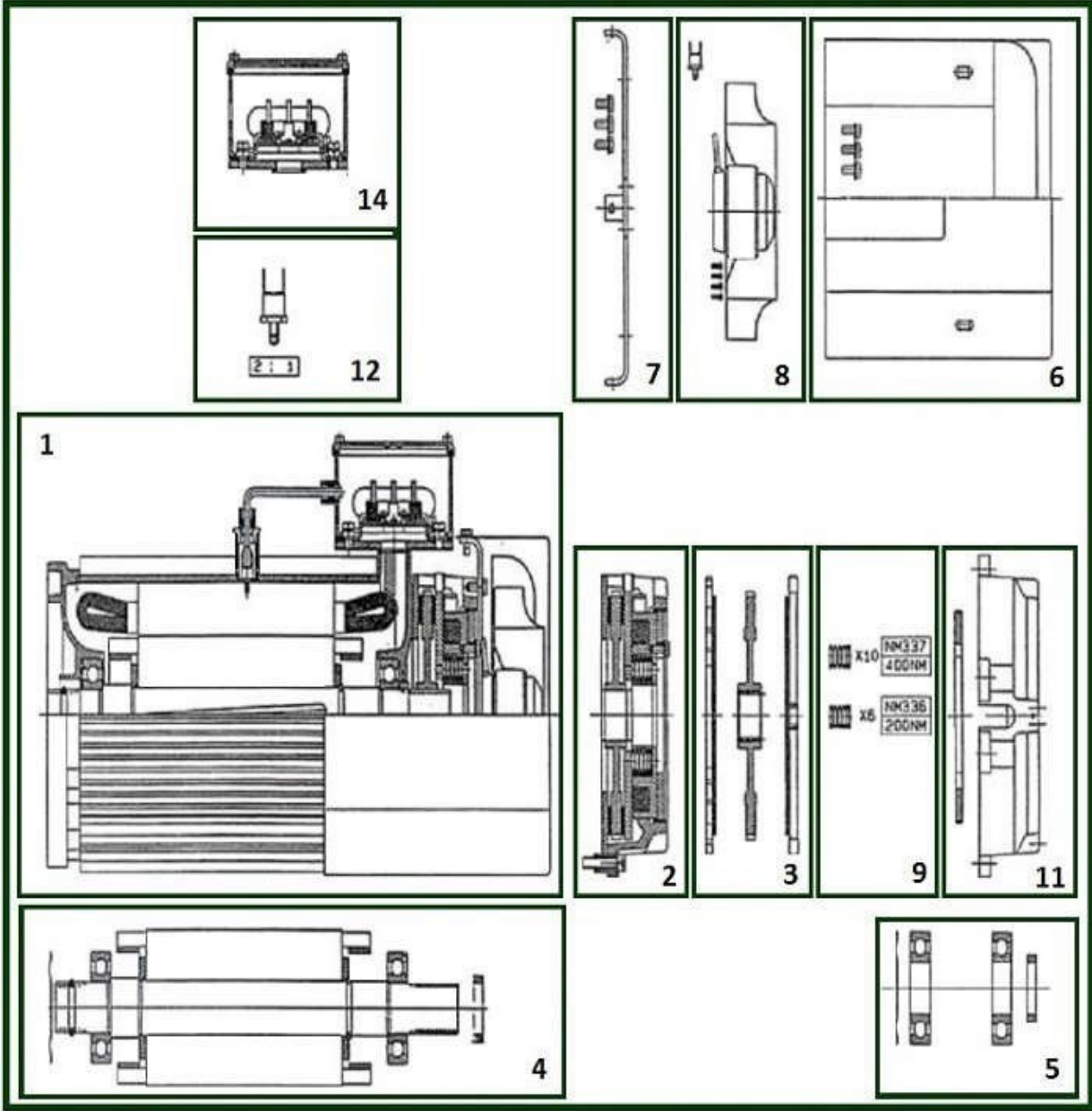
Item	Reference	Description	Observation	Quantity
1	<u>1147002</u>	Complete motor 15/2,5Kw 230V/50Hz	VS4..N4	1
1	<u>1147004</u>	Complete motor 15/2,5Kw 380V-50Hz - 440V-60Hz	VS4..N4	1
1	<u>1147001</u>	Complete motor 15/2,5Kw 400V/50Hz - 460V/60Hz	VS4..N4	1
1	<u>1147007</u>	Complete motor 15kw 400V/50Hz - 3000 TR/min	VS4..N4	1
1	<u>1147003</u>	Complete motor 15/2,5Kw 415V/50Hz - 480V/60Hz	VS4..N4	1
1	<u>1147010</u>	Complete motor 7.5/2.5kw 400V/50Hz - 460V/60Hz 1500/500 TR/min	VS4 L4	1
2	<u>11470215</u>	Complete brake - 100 V	Mot 200 to 240V	1
2	<u>11470212</u>	Complete brake - 190 V	Mot 346 to 480V	1
2	<u>11470213</u>	Complete brake	Mot 500 to 600V	1
2	<u>11470214</u>	Complete brake	Mot 660 to 690V	1
3	<u>11373031</u>	Brake repairing set	VS4/5/6...N4/F4	1
4	<u>11474042</u>	Complete rotor	VS4/5/6.N4/F4	1
5	<u>11474051</u>	Bearing set	VS4/5/6.N4/F4	1
6	<u>11474062</u>	Fan	VS4/5/6.N4/F4	1
6	<u>11474061</u>	Fan + cover	VS4/5/6.N4/F4	1
7	<u>11474071</u>	Brake springs	VS4/5/6.N4/F4	1
8	<u>11373081</u>	Autom. Adjusting repairing set	VS4/5/6...N4	1
10	<u>1143070</u>	Connection box	VS4/5...N4	1
11	<u>11471151</u>	End plate + seal	The coupling must be controlled with the lift motor	1
12	<u>11471161</u>	End plate + seal	The coupling must be controlled with the lift motor	1
13	<u>11370309</u>	Intensity detector	VS4/5/6...N4	1
-	<u>P4G0013</u>	Coupling		1

VS motor N4 - MF13ZA

Item	Reference	Description	Observation	Quantity
-	<u>11370157</u>	Brake coil 100V & brake repair kit	Not available anymore	1
-	<u>11370156</u>	Brake coil 190V & brake repair kit	Not available anymore	1
-	<u>1113044</u>	Brake grinder ESD141 For main voltage 230V to 690V	Motor P6 à P9	1

5. VS MOTOR N5 - MF16ZA

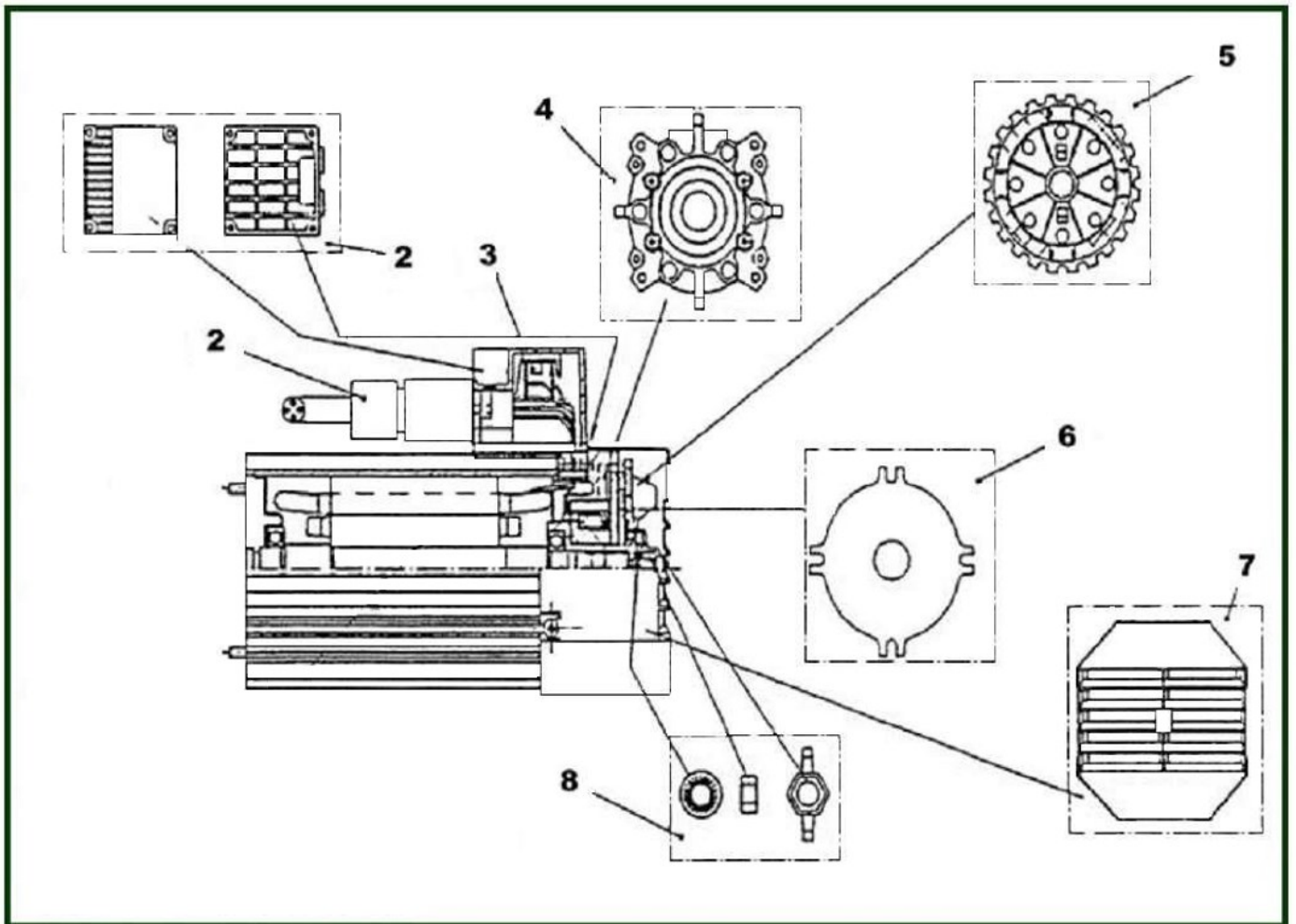
P=30.0/5.0 Kw



VS motor N5 - MF16ZA

Item	Reference	Description	Observation	Quantity
1	1157002	Complete motor 230V/50HZ	VS5/6 ..N5	1
1	1157001	Complete motor 400V/50HZ-460V/60HZ	VS5/6 ..N5	1
1	1157003	Complete motor 415V/50HZ-480V/60HZ	VS5/6 ..N5	1
2	11570213	Complete brake	Mot 500 à 600V	1
2	11570214	Complete brake	Mot 656 à 690V	1
2	11570215	Complete brake - 100V	Mot 200 à 240V	1
2	11570212	Complete brake - 190V	Mot 346 à 480V	1
3	11575031	Brake repairing set	VS5/6 N5/F5	1
4	11575042	Complete rotor	VS5/6 N5/F5	1
5	11570505	Bearing set	VS5/6 N5/F5	1
6	11575063	Fan cover	VS5/6 N5/F5	1
7	11575064	Fan support	VS5/6 N5/F5	1
8	11575062	Fan and thermostat	VS5/6 N5/F5	1
9	11575072	Brake springs	VS5/6 N5/F5	1
10	1113044	Brake grinder ESD141 For main voltage 230V to 690V	Motor P6 to P9	1
11	11570508	Brake housing	VS5/6 N5/F5	1
12	11571121	Thermostat	The coupling must be ordered with the hoisting motor	1
13	11575101	Pulse detector with holder	VS5/6 N5/F5 The coupling must be ordered with the hoisting motor	1
14	Consult us	Connecting box	VS5/6 N5/F5	1
15	11571151	End plate + seal	VS5/6 N5/F5	1
16	11571161	End plate + seal	VS5/6 N5/F5	1
-	P5G0013	Coupling	VS5...N5	1

6. TRAVELLING MOTOR MF07



Travelling motor MF07

Item	Reference	Description	Observation	Quantity
2	<u>15522001</u>	Complete connecting box plastic		1
2	<u>52298744</u>	Complete connecting box q plug	For MF07 motor since 2002 With hoist set	1
2	<u>15822002</u>	Complete connecting box WIELAND	Before 1999	1
2	<u>1113211</u>	Female plastic socket	For all motors MF07	1
3	<u>15823007</u>	Rectifier	Motor 220V	1
3	<u>15823006</u>	Rectifier	Motor 380V to 550V	1
4	<u>15823001</u>	Brake coil with support	170V	1
5	<u>15823004</u>	Brake wheel with friction material		1
6	<u>15823003</u>	Fixed braking armature		1
7	<u>15822001</u>	Fan cover		1
8	<u>15823005</u>	Brake disc locking set		1
11	<u>15823002</u>	Spring set 6 parts	MF07LA104/2NM : Quantity 3 MF07LA206/2.6NM : Quantity 4 MF07LB104/2.6NM : Quantity 4 MF07ZC104/4NM : Quantity 6 MF07S104/2NM : Quantity 3	1
	<u>P1G0005</u>	Coupling	VS N1 - VS N2 - VS N3 To February1996	1
	<u>8940/20</u>	Complete brake - 180V		1
	<u>VS10109A</u>	Rain cover		1

6.1. Travelling Motor MF07 with WIELAND Plug Before 30/04/99

Item	Reference	Description	Observation	Quantity
	<u>15822002</u>	Complete connecting box WIELAND	Before 1999	1
	<u>25808104</u>	Travelling motor MF07LA104 3000/750t/mn - 415V/50Hz - 0,25/0,06kw		1
	<u>25808102</u>	Travelling motor MF07LA104 3000/750t/mn - 220V/50Hz - 0,25/0,06Kw	Wieland plug before April 1999	1
	<u>25808103</u>	Travelling motor MF07LA104 3000/750t/mn - 380V/50Hz - 0,25/0,06kw	Wieland plug before April 1999	1
	<u>25518102</u>	Travelling motor MF07LA206 1500/500t/mn - 220V/50Hz - 0,27/0,07Kw	Wieland plug before April 1999	1
	<u>25518104</u>	Travelling motor MF07LA206 1500/500t/mn - 415V/50Hz - 0,27/0,07Kw	Wieland plug before April 1999	1
	<u>25518103</u>	Travelling motor MF07LA206 1500/500t/mn - 380-400V/50Hz - 0,27/0,07Kw	Wieland plug before April 1999	1
	<u>25809302</u>	Travelling motor MF07LB104+PTC 3000/750t/mn - 230V/50Hz - 0,45/0,11kw	Wieland plug before April 1999	1
	<u>25809103</u>	Travelling motor MF07LB104+PTC 3000/750t/mn - 380V/50Hz - 0,25/0,06kw	Wieland plug before April 1999	1
	<u>25809303</u>	Travelling motor MF07LB104+PTC 3000/750t/mn - 380V/50Hz - 0.45/0.11kw	Wieland plug before April 1999	1
	<u>25809304</u>	Travelling motor MF07LB104+PTC 3000/750t/mn - 415V/50Hz - 0,45/0,11kw	Wieland plug before April 1999	1
	<u>25808302</u>	Travelling motor MF07LB104 3000/750t/mn - 220V/50Hz - 0,45/0,11Kw	Wieland plug before April 1999	1
	<u>25808304</u>	Motor direction / translation MF07LB104 3000/750t/mn - 415V/50Hz - 0,45/0,11kw	Wieland plug before April 1999	1
	<u>25808303</u>	Travelling motor MF07LB104 3000/750t/mn - 380 400V/50Hz - 0.45/0.11kw	Wieland plug before April 1999	1
	<u>25518204</u>	Travelling motor MF07ZB206 1500/500 - 415V/50Hz-0,37/0,10kw	Wieland plug before April 1999	1

Travelling motor MF07 with WIELAND plug

Before 30/04/99

Item	Reference	Description	Observation	Quantity
	<u>25518202</u>	Travelling motor MF07ZB206 1500/500t/mn - 220V/50Hz 0,37/0,10kw	Wieland plug before April 1999	1
	<u>25518203</u>	Travelling motor MF07ZB206 1500/500t/mn - 380-400V/50Hz 0,37/0,10kw	Wieland plug before April 1999	1
	<u>25509413</u>	Travelling motor MF07ZC104+PTC 3000/750t/mn - 380-400V/50Hz 0,65/0,15Kw	Wieland plug before April 1999	1
	<u>25508413</u>	Travelling motor MF07ZC104 3000/750t/mn - 380-400V/50Hz 0,65/0,15Kw	Wieland plug before April 1999	1
	<u>25508414</u>	Travelling motor MF07ZC104 3000/750t/mn - 415V/50Hz 0,65/0,15Kw	Wieland plug before April 1999	1
	<u>25508412</u>	Travelling motor MF07ZC104 3000/750t/mn - 220V/50Hz 0,65/0,15Kw	Wieland plug before April 1999	1

6.2. Travelling motor MF07 with plastic plug

Since 01/05/1999

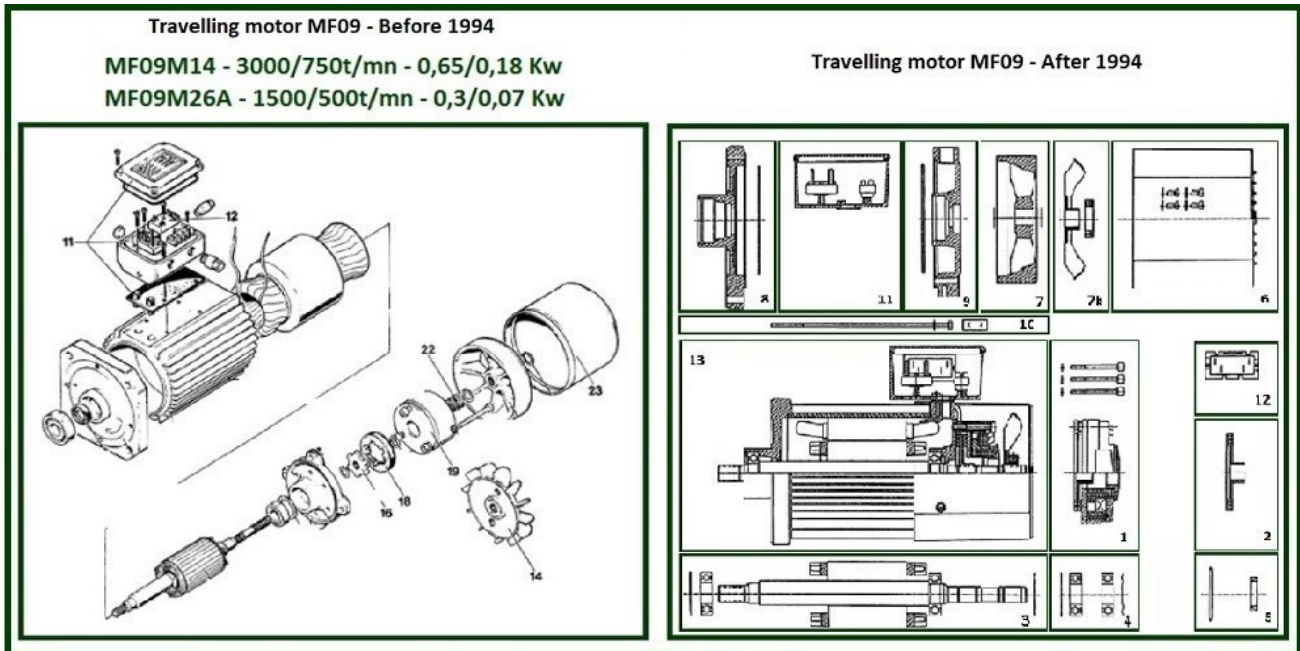
Item	Reference	Description	Observation	Quantity
	<u>25808104P</u>	Travelling motor MF07LA104 3000/750t/mn - 415V/50Hz - 0,25/0,06kw	Plastic plug after April 1999	1
	<u>25808102P</u>	Travelling motor MF07LA104 3000/750t/mn - 220V/50Hz - 0,25/0,06Kw	Plastic plug after April 1999	1
	<u>25808103P</u>	Travelling motor MF07LA104 3000/750t/mn - 380V/50Hz - 0,25/0,06kw	Plastic plug after April 1999	1
	<u>25518102P</u>	Travelling motor MF07LA206 1500/500t/mn - 220V/50Hz-0.27/0.07Kw	Plastic plug after April 1999	1
	<u>25518104P</u>	Travelling motor MF07LA206 1500/500t/mn - 415V/50Hz - 0.27/0.07Kw	Plastic plug after April 1999	1
	<u>25518103P</u>	Travelling motor MF07LA206 1500/500t/mn - 380-400V/50Hz-0.27/0.07Kw	Plastic plug after April 1999	1
	<u>25809302P</u>	Travelling motor MF07LB104+PTC 3000/750t/mn - 230V/50Hz -0.45/0.11kw	Plastic plug after April 1999	1
	<u>25809103P</u>	Travelling motor MF07LB104+PTC 3000/750t/mn - 380V/50Hz 0.25/0.06kw	Plastic plug after April 1999	1
	<u>25809303P</u>	Travelling motor MF07LB104+PTC 3000/750t/mn - 380V/50Hz - 0.45/0.11kw	Plastic plug after April 1999	1
	<u>25809304P</u>	Travelling motor MF07LB104+PTC 3000/750t/mn - 415V/50Hz - 0.45/0.11kw	Plastic plug after April 1999	1
	<u>25808302P</u>	Travelling motor MF07LB104 3000/750t/mn - 220V/50H z- 0.45/0.11Kw	Plastic plug after April 1999	1
	<u>25808304P</u>	Travelling motor MF07LB104 3000/750t/mn - 415V/50Hz - 0.45/0.11kw	Plastic plug after April 1999	1
	<u>25808303P</u>	Travelling motor MF07LB104 3000/750t/mn - 380 400V/50Hz - 0.45/0.11kw	Plastic plug after April 1999	1
	<u>25518202P</u>	Travelling motor MF07ZB206 1500/500t/mn - 220V/50Hz - 0.37/0.10kw	Plastic plug after April 1999	1
	<u>25518204P</u>	Travelling motor MF07ZB206 1500/500t/mn - 415V/50Hz - 0.37/0.10kw	Plastic plug after April 1999	1

Travelling motor MF07 with plastic plug
Since 01/05/1999

Item	Reference	Description	Observation	Quantity
	<u>25518203P</u>	Travelling motor MF07ZB206 1500/500t/mn - 380-400V/50Hz - 0.37/0.10kw	Plastic plug after April 1999	1
	<u>25509413P</u>	Travelling motor MF07ZC104+PTC 3000/750t/mn - 380-400V/50Hz - 0.65/0.15Kw	Plastic plug after April 1999	1
	<u>25508414P</u>	Travelling motor MF07ZC104 3000/750t/mn - 415V/50Hz 0.65/0.15Kw	Plastic plug after April 1999	1
	<u>25508413P</u>	Travelling motor MF07ZC104 3000/750t/mn - 380 400V/50Hz - 0.65/0.15Kw	Plastic plug after April 1999	1
	<u>25508412P</u>	Travelling motor MF07ZC104 3000/750t/mn - 220V/50Hz 0.65/0.15Kw	Plastic plug after April 1999	1

7. TRAVELLING MOTOR MF09

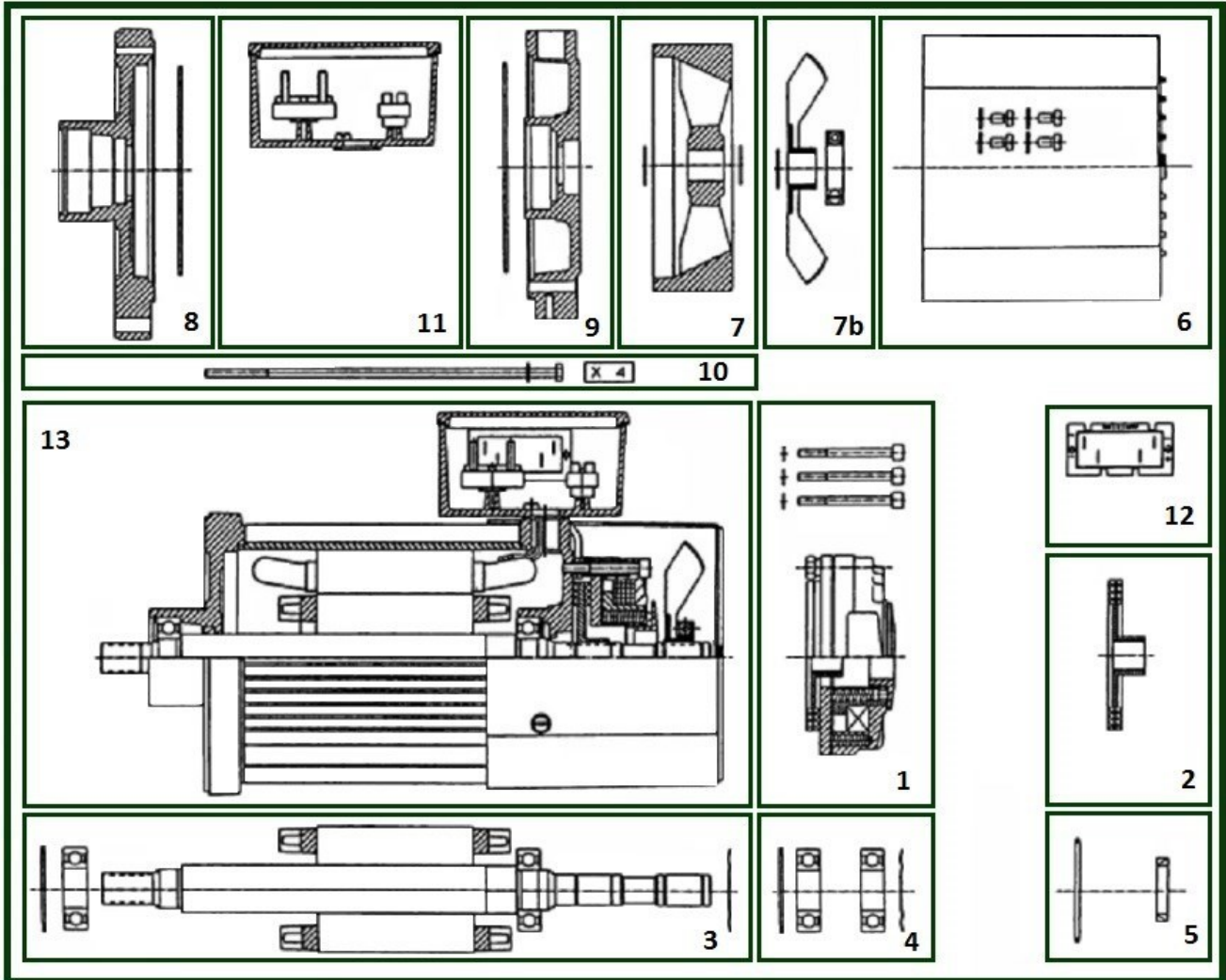
Do not forget the drive pinion



7.1. Pinion

Item	Reference	Description	Observation	Quantity
	<u>52001028</u>	Pinion - D. ext. 35,8 / 19D / D.int.18	GM570 to GM590 MF10(D.20)-MF09(D.18)	1
	<u>52001029</u>	Pinion - D. ext. 35,8 / 19D / D.int.20	GM570 to GM590 MF10(D.20)-MF09(D.18)	1
	<u>52001026</u>	Pinion - D. ext. 40,8 / 22D / D.int.18	GM536 to GM556 MF10(D.20)-MF09(D.18)	1
	<u>52001027</u>	Pinion - D. ext. 40,8 / 22D / D.int.20	GM536 to GM556 MF10(D.20)-MF09(D.18)	1
	<u>52001024</u>	Pinion - D. ext. 50,7 / 28D / D.int.18	GM514 to GM528 MF11 (D.20)-MF10(D.20)-MF09(D.18)	1
	<u>52001025</u>	Pinion - D. ext. 50,7 / 28D / D.int.20	GM514 to GM528 MF11 (D.20)-MF10(D.20)-MF09(D.18)	1

7.2. Travelling motor MF09 – After 1994



Travelling motor MF09 – After 1994

Item	Reference	Description	Observation	Quantity
1	<u>25808535</u>	Complete brake 100V 4NM LA104/LA206		1
1	<u>25808531</u>	Complete brake 170V 4NM LA104/LA206	For motor 380/400V	1
1	<u>25808532</u>	Complete brake 190V 4NM LA104/LA206	For motor 220V	1
1	<u>25808533</u>	Complete brake 220V 4NM LA104/LA206	For motor 500V	1
1	<u>25808534</u>	Complete brake 290V 4NM LA104/LA206	For motor 660V	1
1	<u>25808435</u>	Complete brake 100V 9NM LB104/LB206		1
1	<u>25808431</u>	Complete brake 170V 9NM LB104/LB206	For motor 280/400V	1
1	<u>25808432</u>	Complete brake 190V 9NM LB104/LB206	For motor 220V	1
1	<u>25808433</u>	Complete brake 220V 9NM LB104/LB206	For motor 500V	1
1	<u>25808434</u>	Complete brake 290V 9NM LB104/LB206	For motor 660V	1
1	<u>25808419</u>	Complete brake 170V 16NM		1
2	<u>25808413</u>	Brake wheel MF07 - MF09 4 & 9NM	Ø 40mm	1
2	<u>25808411</u>	Brake wheel	Ø 30mm	1
2	<u>25808414</u>	Brake wheel MF09 16NM		1
3	<u>25808436</u>	Complete rotor	Please contact us	1
4	<u>25808437</u>	Bearing set	Please contact us	1
5	<u>25808438</u>	Shaft seal	Please contact us	1
6	<u>25808439</u>	Fan cover		1
7	<u>25808440</u>	Flywheel NM	MF09LB068 to 073 MF09L-102	1
7b	<u>25808441</u>	Fan	MF09LA050 to 54 MF09LN062 to 067	1

Travelling motor MF09 – After 1994

	Reference	Description	Observation	Quantity
8	<u>25808442</u>	Front flange		1
9	<u>25808443</u>	End shield		1
10	<u>25808444</u>	Screw set		1
11	<u>25808445</u>	Connecting box		1
12	<u>15823007</u>	Rectifier	Motor 220V	1
12	<u>15823006</u>	Rectifier	Motor 380V à 550V	1
13	<u>25808505</u>	Motor MF09LA04 3000/750t/mn - 380 400V/50Hz	0,65/0,15KW	1
13	<u>25519413</u>	Motor MF09LA20+PTC 1500/500t/mn - 380 400V/50Hz	0,30/0,07KW	1
13	Consult us	Motor MF09LA206 1500/500t/mn - 220V/50Hz	0,30/0,07KW	1
13	Consult us	Motor MF09LA206 1500/500t/mn - 415V/50Hz	0,30/0,07KW	1
13	Consult us	Motor MF09LA206 1500/500t/mn - 380 400V/50Hz	0,30/0,07KW	1
13	<u>25809405</u>	Motor MF09LB100+PTC 3000t/mn - 380 400V/50Hz	1,8KW	1
13	Consult us	Motor MF09LB104 3000/750 - 415V/50Hz	0,65/0,15KW	1
13	<u>25808402</u>	Motor MF09LB104 3000/750t/mn - 220V/50Hz	1,3/0,3KW	1
13	<u>25808405</u>	Motor MF09LB104 3000/750 t/mn - 380/400V/50Hz	1,3/0,3KW	1
13	Consult us	Motor MF09LB104 3000/750t/mn - 415V/50Hz	1,3/0,3KW	1
13	<u>25518422</u>	Motor MF09LB206 1500/500t/mn - 220V/50Hz	0,65/0,15KW	1
13	<u>25518423</u>	Motor MF09LB206 1500/500t/mn - 380/400V/50HZ	0,65/0,15KW	1
13	<u>25518424</u>	Motor MF09LB206 1500/500t/mn - 415V/50HZ	0,65/0,15KW	1

7.3. Travelling motor MF09L – Before 1994

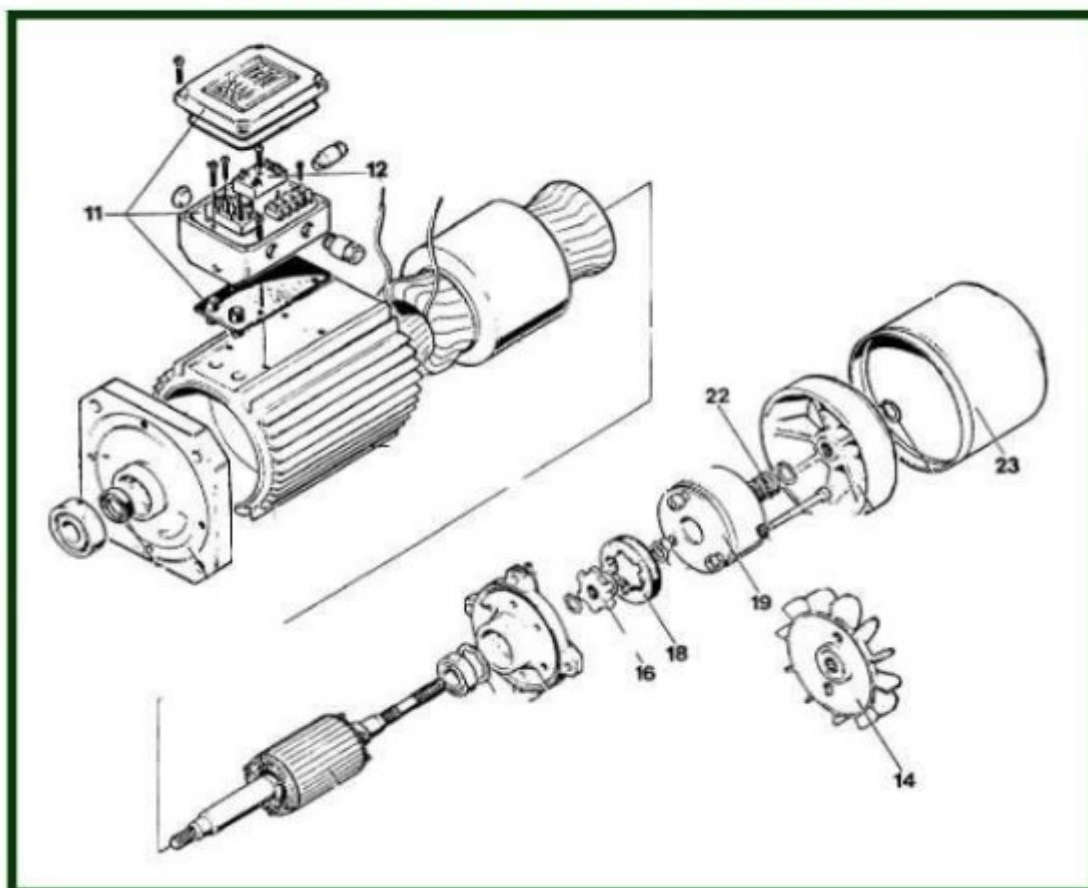
Code	Moteur/ Motor	Vitesses/ Speed (Tr/min)	Puissance/ Power	Tension/ Voltage
NC	MF09LA206	1500/500	0.30/0.07 kw	220V50HZ
NC	MF09LA206	1500/500	0.30/0.07 kw	380/400V/50HZ
NC	MF09LA206	1500/500	0.30/0.07 kw	415V/50HZ
<u>25518422</u>	MF09LB206	1500/500	0.65/0.15kw	220V50HZ
<u>25518423</u>	MF09LB206	1500/500	0.65/0.15kw	380/400V/50HZ
<u>25518424</u>	MF09LB206	1500/500	0.65/0.15kw	415V/50HZ
<u>25519413</u>	MF09LA20+PTC	1500/500	0.30/0.07 kw	380/400V/50HZ
<u>25808402</u>	MF09LB104	3000/750	1.3/0.3kw	220V50HZ
<u>25808405</u>	MF09LB104	3000/750	1.3/0.3kw	380/400V/50HZ
NC	MF09LB104	3000/750	1.3/0.3kw	415V/50HZ
<u>25809405</u>	MF09LB100+PTC	3000	1.8kw	380/400V/50HZ
NC	MF09LA04	3000/750	0.65/0.15kw	220V50HZ
<u>25808505</u>	MF09LA04	3000/750	0.65/0.15kw	380/400V/50HZ
NC	MF09LA04	3000/750	0.65/0.15kw	415V/50HZ

Item	Reference	Description	Observation	Quantity
1B	<u>35823001</u>	Brake KEB 170V	Splined shaft/motor 400V	1
1B	<u>8051/2</u>	Brake KEB 190V	Splined shaft/motor 230V	1
2	<u>35823008</u>	Brake wheel		1
6	<u>35822001</u>	Fan cover		1
7	<u>35822003</u>	Fly wheel		1
7B	<u>8043</u>	Plastic fan		1
11	<u>25808445</u>	Connecting box		1
12	<u>15823007</u>	Rectifier	Motor 220V	1
12	<u>15823006</u>	Rectifier	Motor 380V à 550V	1
-	<u>8044</u>	Hub		1

7.4. Travelling motor MF09M14 - Before 1994

MF09M14 - 3000/750t/mn - 0,65/0,18 Kw

MF09M26A - 1500/500t/mn - 0,3/0,07 Kw

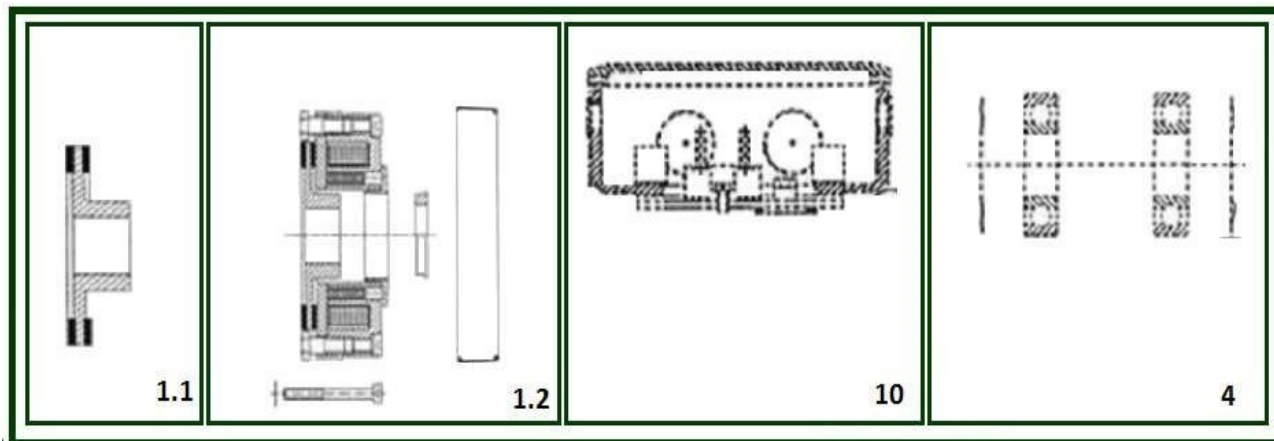


Item	Reference	Description	Observation	Quantity
11	25808445	Connecting box		1
12	15823007	Rectifier	Motor 220V	1
12	15823006	Rectifier	Motor 380V à 550V	1
14	8048	Plastic fan		1
16	8046	Hub brake lining		1
18	35823004	Brake wheel		1
19+18+16	8041/1	Brake KEB 170V	Splined shaft model le Num.3	1
19+18+16	8041/2	Brake KEB 190V	Splined shaft model le Num.3	1
22	35823002	Brake spring		1
23	35822001	Fan cover		1

8. TRAVELLING MOTOR MF10/11/13

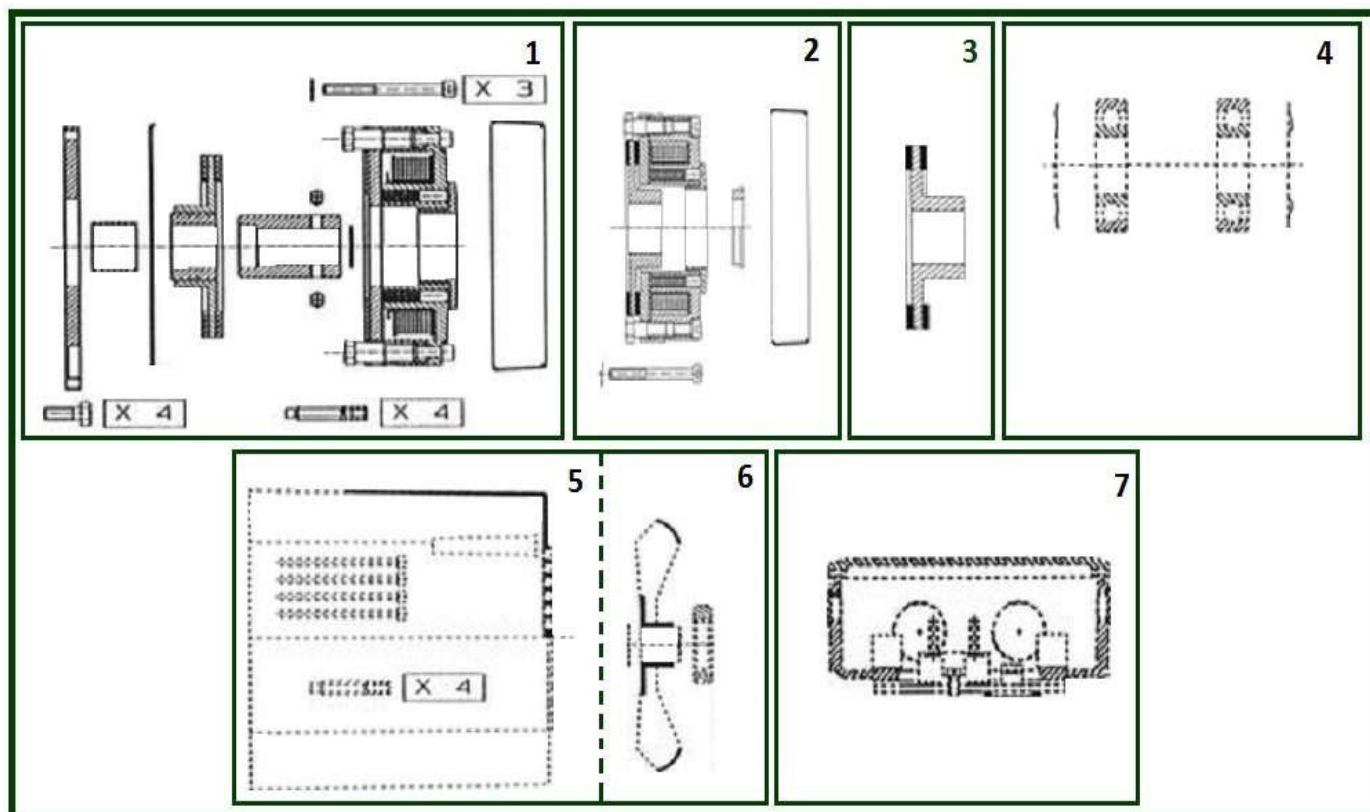
Item	Reference	Description	Observation	Quantity
-	<u>25808415</u>	Brake wheel MF10	Brake 16 & 32NM	1
-	<u>25808416</u>	Brake wheel D3	Only for motor original manual brake 30 & 60NM	1
-	<u>25808417</u>	Brake wheel D4	Brake 40 & 80NM	1
-	<u>25808420</u>	Complete brake MF10	Brake 170V	1
-	<u>25808421</u>	Complete brake MF11	Brake 170V	1
-	<u>15823007</u>	Rectifier	Motor 220V	1
-	<u>15823006</u>	Rectifier	Motor 380V à 550V	1

9. VS MOTOR D2 - MF10 - Manuel brake



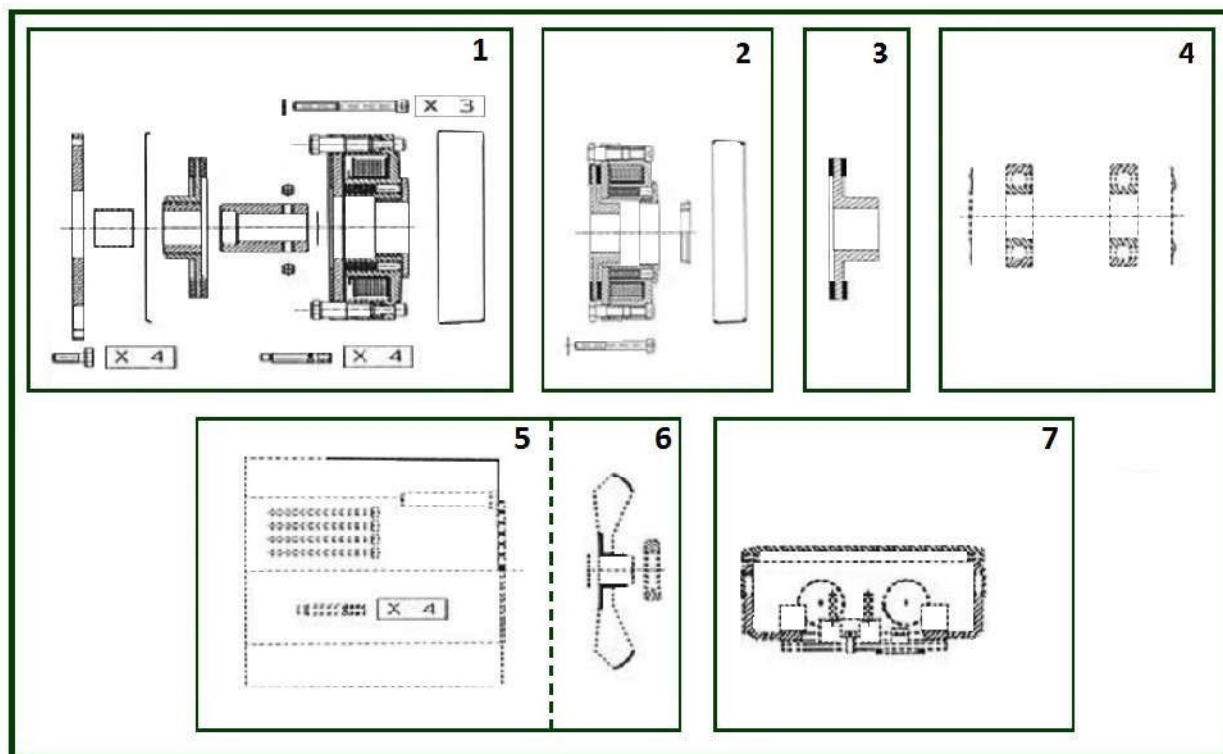
Item	Reference	Description	Observation	Quantity
1.1	25808415	Brake wheel MF10	Brake 16 & 32NM	1
1.2	Consult us	Perpendicular Retainer	C5	1
4	11171051	Bearing set		1
10	1113070	Connecting box		1
	1113044	Brake rectifier ESD141 For main voltage 230V to 690V	Motor P6 to P9	1
	52269687	Motor fan for D2		1

10. VS MOTOR D3 - MF11 – Manuel brake



Item	Reference	Description	Observation	Quantity
1	11350188	Brake adapting set D3 - 190V	Seulement pour moteur avec frein automatique	1
2	11350189	Complete motor brake D3 - 190V		1
3	25808416	Brake wheel D3	Only for motor with original manual brake 30 & 60NM	1
3	11350186	Brake wheel for kit D3	Only for motor with original automatic brake	1
4	11373051	Bearing set	VS3/4 N3/F3	1
5+6	11373061	Fan & cover	VS3/4 N3/F3	1
6	1137152	Fan	VS3/4 N3/F3	1
7	1113070	Connecting box		1
-	1137006	Motor 400V/50Hz - 7,5/1,2Kw	VS3...D3 Manuel brake	1
-	1113044	Brake rectifier ESD141 For main voltage 230V to 690V	Motor P6 to P9	1

11. VS MOTOR D4 - MF13 - Manuel brake



Item	Reference	Description	Observation	Quantity
1	11450189	Brake adaptation set D4 - 190V	Only for motor with automatic brake	1
2	11450187	Complete brake D4 - 190V	Only for motor with automatic brake	1
3	25808417	Brake disc D4	Only for motor with original manual brake 40 & 80 NM	1
3	11450186	Brake disc set D4	Only for motor with automatic brake	1
4	11171051	Bearing set	VS N1 - VS N2	1
5+6	11474061	Fan + cover	VS4 -VS5-VS6 - N4/F4	1
6	11474062	Fan	VS4 -VS5-VS6 - N4/F4	1
7	1113070	Connecting box	VS N1 - VS N2 - VS N3 VS D2 - VS D3 - VS D4	1
	1147006	Complete motor 400V/50HZ - 7,5/1,2Kw		1
	1113044	Brake rectifier ESD141 For main voltage 230V to 690V	Motor P6 à P9	1