

Spare parts catalog for "VT1"

To avoid errors, when ordering please specify:

- Complete type of hoist
- Date of manufacture and serial number
- Spare part code
- Spare part designation
- Additional information



0) HOIST DESCRIPTION

1) FRAME

- 1.1) L Trolley / LHT
- 1.2) Trolley F-H-M-MA-MB-N-W - Fixed and double girder
- 1.3) V Trolley - Machinery hoist

2) ROPE DRUM

- 2.1) Trolley F-H-L-M-MA-MB-N-V-W
- 2.2) Precut rope

3) GEAR

- 3.1) Second disk brake

4) SIZE LIFTING MOTOR 1-2 - HOIST MOTOR TYPE P & T

5) ROPE SHEAVE

- 5.1) F-H-L-M-MA-MB-N-W Trolley

6) OVERLOAD DEVICE

- 6.1) Rope reeving code 04/1 - Overload device type = MEC, MECPOW (mechanical, current measurement + mechanical) - F-H-L-M-MA-MB-N-W Trolley
- 6.2) Rope reeving code 04/1 - Overload device type = MEC, MECPOW (mechanical, current measurement + mechanical) - F-H-L-M-MA-MB-N-W Trolley
- 6.3) Rope reeving code 02/1 - Overload device type MEC, MECPOW (mechanical, current measurement+mechanical) - F-H-L-M-MA-MB-N-W Trolley
- 6.4) Rope reeving code 02/1 - Overload device type = MEC, MECPOW (mechanical, current measurement+mechanical) - F-H-L-M-MA-MB-N-W Trolley
- 6.5) Overload device type = SG / Otherwise gauge
- 6.6) Rope reeving 02-04-06-08-22-24-26-28 - Overload device type = NO, POW (without, motor current measurement)

7) HOOK

- 7.1) Rope reeving code 02 - Up to H0209452
- 7.2) Rope reeving code 02 - Since H0209453
- 7.3) Rope reeving code 04 - Hook HBC - Up to H0209452
- 7.4) Reeving system 04 Hook HBC - Since H0209453

8) HOISTING LIMIT SWITCH

- 8.1) Standard lifting
- 8.2) True vertical lifting

9) TROLLEY

- 9.1) L Trolley / LHT
- 9.2) Old N trolley / NHT
- 9.3) N Trolley / NHT - After november 2007

10) TROLLEY, SIDE PLATE

- 10.1) N Trolley/NHT - Travel wheel idle
- 10.2) N Trolley/NHT - Wheel set; driving

12) TROLLEY, AND CARRIAGE

- 12.1) H,M,MA,W Trolley - Double girder
- 12.2) End carriage GT - M, MA, W Trolley H- Reeving system 02-04
- 12.3) End carriage GTR-GTL-GTN

13) TRAVELLING MACHINERY

- 13.1) H,M,MA,W Trolley / Double girder with end truck VP - H315167
- 13.2) Motor CSA,D,DCSA,DE - J,L,N Trolley / LHT and NHT

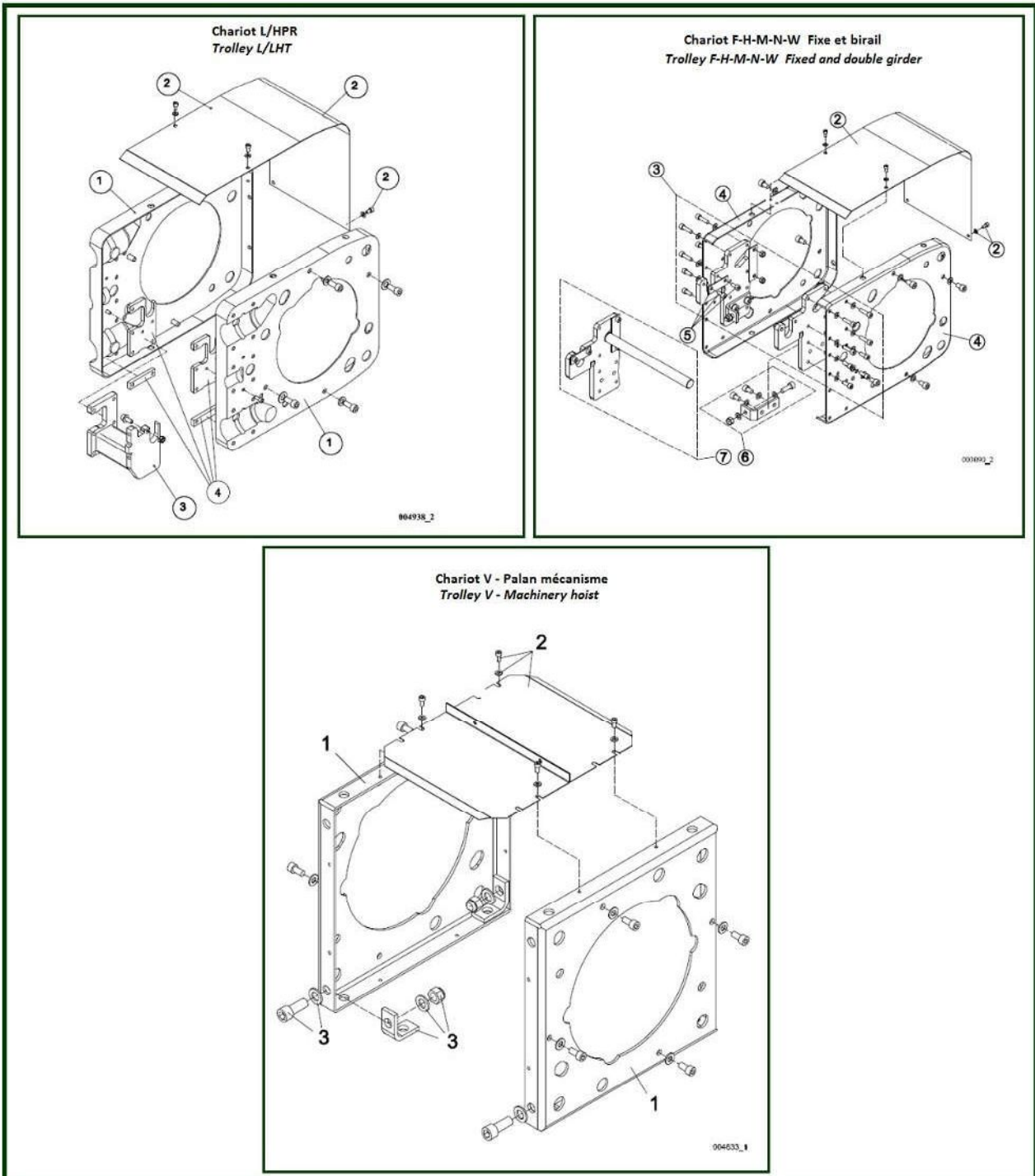
14) ELECTRIC PANEL

- 14.1) L Trolley / LHT
- 14.2) N Trolley / NHT
- 14.3) V Trolley / Machinery

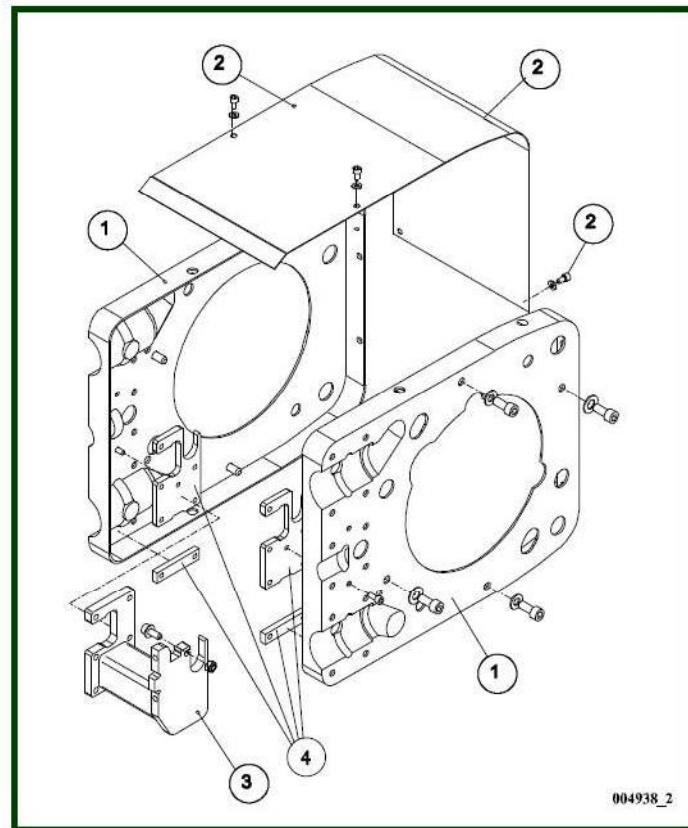
0) Hoist description

VT	1	04	1	1	5	R	15	A	N	P1	405	SE	M	20	E	N			
1,2	3	DES27	4,5	6	7	8	9	10,11	12	13	14,15	16-18	19,20	21	22,23	24	25		
(GE09)	DES27				(DIM01)	(DES01)	(DIM03) (DIM05)	GE08		(HM01) (HM02)		(EL05)	(HS03)		(TR05)				
Pos.	Code	Feature code	Feature	Available properties															
1,2	VT		Short product name	VT Hoist															
3	1	(GE09)	Frame size					<u>GE09 value</u>					<u>GE09 value</u>						
				s	243 mm rope drum diameter				Z	3				406 mm rope drum diameter				C	
				1	303 mm rope drum diameter				A	4				608 mm rope drum diameter				D	
				2	355 mm rope drum diameter				B	5				608 mm rope drum diameter (2 hoisting motors)				E	
4,5	04	DES27	Rope reeving code					<u>DES27 value</u>					<u>DES27 value</u>						
				<u>Falls at the hook block</u>				02	02				<u>Falls at the hook block</u>				04	22	
				04				04				08				24			
				06				06				12				26			
				08				08				16				28			
M1 = Machinery hoist, 1 rope fixed to drum, M2 = Machinery hoist, 2 ropes fixed to drum																			
6	1		Nbr of driven rope	1 Levage standard															
7	1		Nbr of hook	1 Standard															
8	5	(DIM01)	Hoist duty group					<u>DIM01 value</u>					<u>DIM01 value</u>						
				3	ISO M3				M3	5				ISO M5				M5	
				4	ISO M4				M4	6				ISO M6				M6	
9	R	(DES01)	Trolley type					<u>DES01 value</u>					<u>DES01 value</u>						
				F	Foot Mounted				F	N				Normal headroom trolley (parallel)				N	
				S	Fixed Suspended					T				Normal headroom trolley (perpendicular)					
				R	Low headroom trolley				L	M				Machinery hoist				V	
				H	Double girder trolley (high)				H	B				Swivelling trolley					
				E	Double girder trolley (medium)				M	X				Special				X	
				W	Double girder trolley (low)				W	J				Special low headroom trolley				J	
10,11	15	(DIM03) (DIM05)	Flange width/ Rail gauge	Flange width (Monorail) (i.e. 358 mm = 35)				Rail gauge (Double girder trolley) (i.e. 1200 mm = 12)				Fixed hoist 00							
12	A	GE08	Hoist drum length					<u>GE08 value</u>					<u>GE08 value</u>						
				A	310 mm rope drum length (if frame size s, 394 mm)				Z	1400 mm rope drum length									
				B	340 mm rope drum length (if frame size s, 394 mm)				J	1600 mm rope drum length									
				C	440 mm rope drum length (if frame size s, 504 mm)				K	1900 mm rope drum length									
				D	540 mm rope drum length				L	2250 mm rope drum length									
				E	660 mm rope drum length				M	2500 mm rope drum length									
				F	810 mm rope drum length				N	2800 mm rope drum length									
				G	1000 mm rope drum length				X	Special drum length									
				H	1250 mm rope drum length														
13	N		Hoisting gear box	N Normal R Fast															
14,15	P1	(HM01) (HM02)	Hoisting motor type / size					<u>HM01 value</u>					<u>HM02 value</u>						
				e.g. P1 => P = HM01 value, 1 = HM02 value				A	Nom. Power 1,5 kW / 50Hz				X						
				Frequency converter motor, ASR				S	Nom. Power 1,8 kW / 50Hz				1						
				Frequency converter motor, ESR				P	Nom. Power 2,5 kW / 50Hz				Z						
				Pole change motor				T	Nom. Power 3,6 kW / 50Hz				2						
				Frequency converter motor				R	Nom. Power 4,5 kW / 50Hz				3						
				Pole change motor 3:1				E	Nom. Power 7,5 kW / 50Hz				4						
				Exp-proof pole change motor Single speed motor				O	Nom. Power 9 kW / 50Hz				5						
				Cast iron pole change motor				C	Nom. Power 15 kW / 50Hz				6						
									Nom. Power 18 kW / 50Hz				7						
									Nom. Power 23 kW / 50Hz				8						
									Nom. Power 28 kW / 50Hz				9						
									Nom. Power 35 kW / 50Hz				A						
16-18	405		Power supply	400V / 50 Hz															
19,20	SE	(EL05)	Electric provisions					<u>EL05 value</u>					<u>EL05 value</u>						
				S	SOLO				SOLO	E				With time counter					
				K	KIT					M				Monitoring device					
				J	Hoist for tandem use				TANDEM	0				Without connection					
				W	Without electric				NO	1				With connection and cubicle					
21	M	(HS03)	Overload device					<u>HS03 value</u>					<u>HS03 value</u>						
				M	Mechanical limit switch				MEC	P				Hoist power measurement				POW	
				C	Strain gauge				SG	0				Without overload device				NO	
22,23	20		Trolley high speed	20 < 25 m/min 30 ≥ 25 m/min								BV				2 speeds motor			
24	E	(TR05)	Travelling control mode					<u>TR05 value</u>					<u>TR05 value</u>						
				M	MS2				MS2	C				Contactor (2 speeds motor)					
				E	EP2				EP										
25	N		Special properties					<u>Special</u>											
				S	Standard				M	Meca									
				Standard pre-designed features				E	Elec										
								D	M+E										

1) Frame

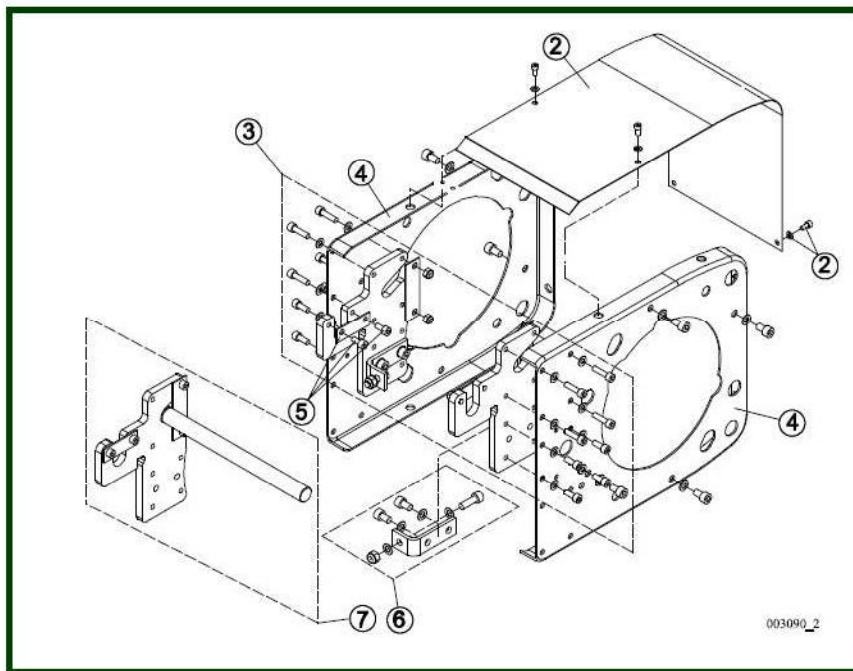


1.1) L Trolley / LHT



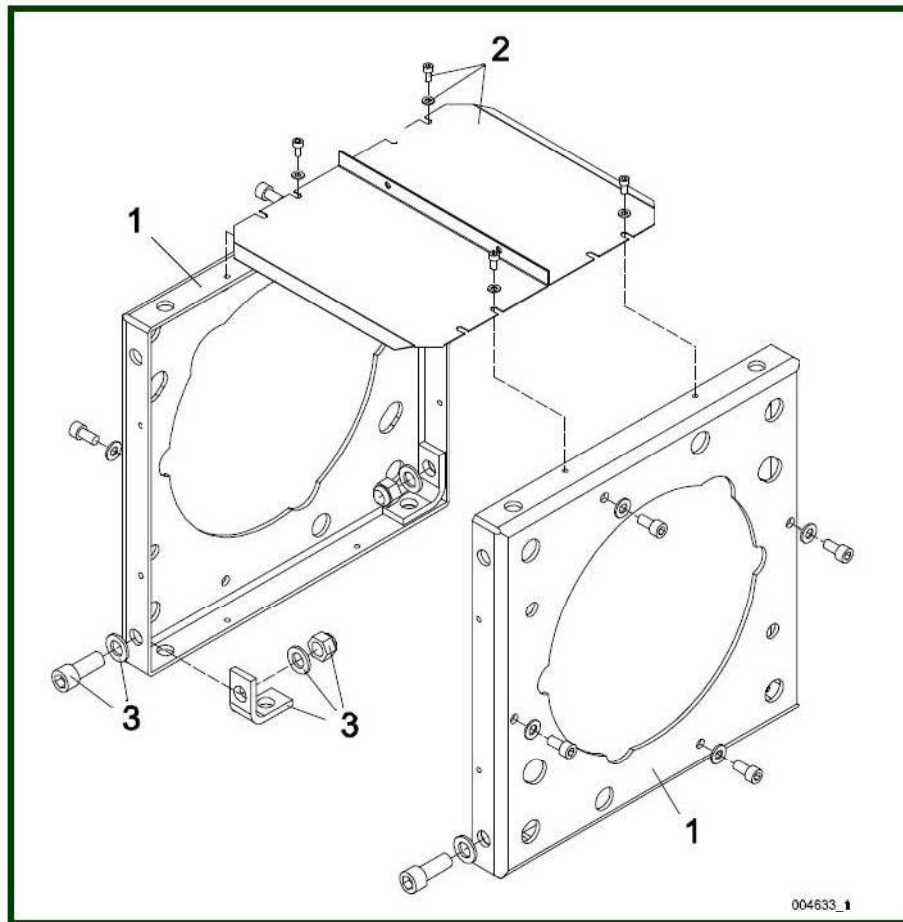
item	reference	description	observation	Quantity
1	<u>VT0000716</u>	Flange set		2
2	<u>VT0004717</u>	Cover	Longueur tambour / Hoist drum length A	1
2	<u>VT1301LD01</u>	Cover	Longueur tambour / Hoist drum length A (VT0003290)	1
2	<u>VT0004718</u>	Cover	Longueur tambour / Hoist drum length C	1
2	<u>VT1301LD02</u>	Cover	Longueur tambour / Hoist drum length C (VT0003291)	1
2	<u>VT0004823</u>	Cover set	Longueur tambour / Hoist drum length A	1
2	<u>VT0004824</u>	Cover set	Longueur tambour / Hoist drum length C	1
3	<u>VT1101L001</u>	Fixing module	Longueur tambour seulement C / Hoist drum length C only Code mouflage / Rope reeving code 04	1
4	<u>VT0000717</u>	Piece support		1

1.2)F-H-M-MA-MB-N-W Trolley - Fixed and double girder



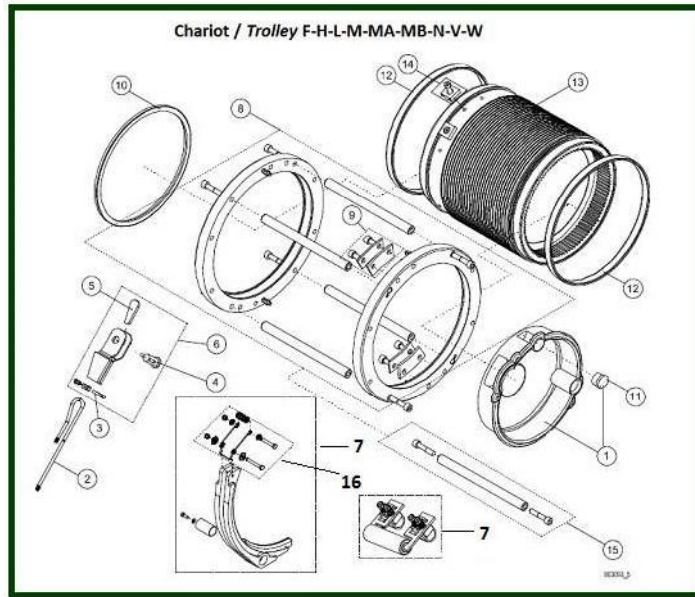
item	reference	description	observation	Quantity
2	<u>VT0004717</u>	Cover	Longueur tambour / Hoist drum length A	1
2	<u>VT1301LD01</u>	Cover	Longueur tambour / Hoist drum length A (VT0003290)	1
2	<u>VT0004718</u>	Cover	Longueur tambour / Hoist drum length C	1
2	<u>VT1301LD02</u>	Cover	Longueur tambour / Hoist drum length C (VT0003291)	1
3	<u>VT1301D004</u>	Fixing set	Kit de fixation / Fixing set F-H-M-MA-MB-N-W	1
4	<u>VT0000947</u>	End plate		2
5	<u>VT0000948</u>	Clamp		2
6	<u>VT0000949</u>	Fastener		2
7	<u>VT0000641</u>	Fixing set	Code mouflage 02 - Longueur tambour C Rope reeving code 02 - Hoist drum length C From H0105319	1

1.3) V Trolley - Machinery hoist

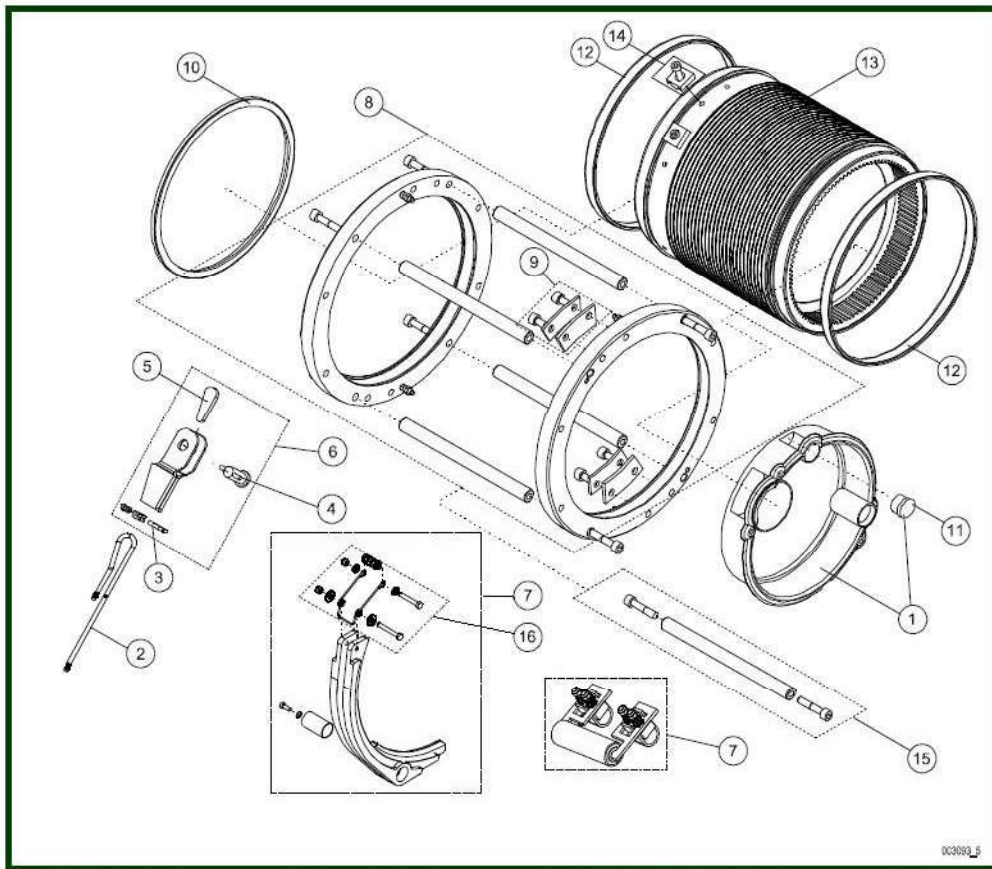


item	reference	description	observation	Quantity
1	NC FLA	End plate		2
2	VT0000900	Cover plate	Longueur tambour / Hoist drum length A	4
2	VT0000901	Cover plate	Longueur tambour / Hoist drum length C	4
3	NC FIX	Fixing plate		1

2) Rope drum



2.1) F-H-L-M-MA-MB-N-V-W Trolley



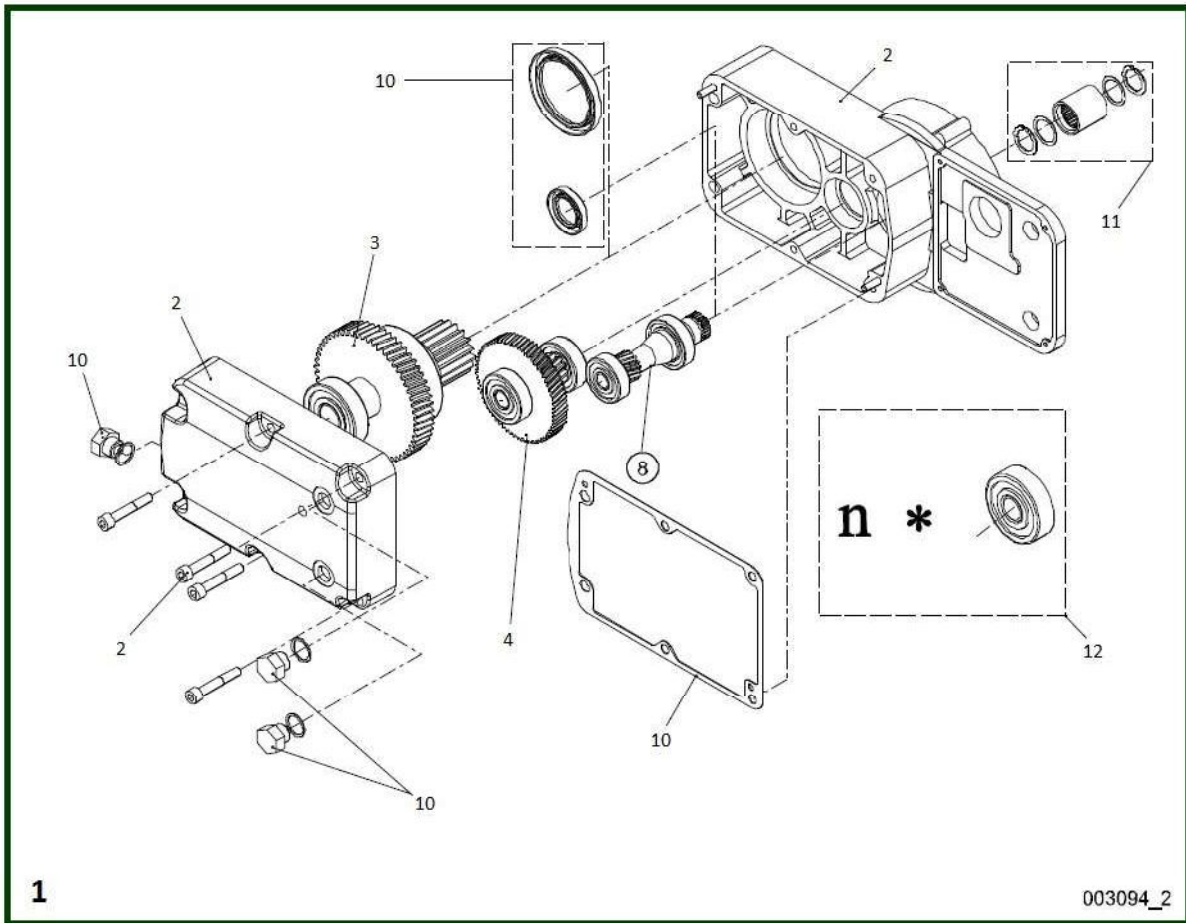
item	reference	description	observation	Quantity
1	VT0000441	Cover set	Couronne réducteur	1
2	VT0003557	Wire rope - Ø 6.4mm	Gauche / left - 8x19 Chariot / Trolley F-H-L-M-MA-MB-N-W-J-N	1
2	VT0001694	Wire rope - Ø 6.7mm	Gauche / left - 17x7 Code mouflage / Rope reeving code A2,M2 Chariot / Trolley V	1
3	VT11020002	Rope clamp - Ø 6.5 mm	Code mouflage / Rope reeving code A2,A4,M2	1
4	VT11020003	Shaft		1
5	VT11020004	Rope wedge	Code mouflage / Rope reeving code A2,A4,M2	1
6	VT11020005	Wedge housing		1
7	VT0000448	Pressure roller	Code mouflage M1-Tambour C / Rope reeving code M1-Drum C - Chariot / Trolley V	1
7	VT0000449	Pressure roller	Code mouflage - Tambour C / Rope reeving code M2-Drum C Chariot / Trolley V	1
7	VT0000726	Rope guide	Chariot / Trolley F-H-J-L-M-MA-MB-N-W	1
7	VT0000446	Rope guide	Longueur tambour A - Code mouflage M1 Hoist drum length A - Rope reeving code M1 - Chariot / Trolley V	1
7	VT0000447	Rope guide	Longueur tambour A - Code mouflage M2 Hoist drum length A / Rope reeving code M2 - Chariot / Trolley V	1
8	VT13020002	Frame	Longueur tambour / Hoist drum length A	1
8	VT13020006	Frame	Longueur tambour / Hoist drum length C	1
8	VT0002311	Frame	Longueur tambour / Hoist drum length D	1
9	VT13020003	Fixing set		1
10	VT11020007	Sealing		1
11	VT11020008	Capsule		1
12	VT11020009	Bearing set		2
13	VT0003459	Rope drum	Longueur tambour / Hoist drum length A Chariot / Trolley A-B-F-H-J-L-M-N-W	1
13	VT0000450	Rope drum	Longueur tambour / Hoist drum length A - Chariot / Trolley V	1

13	<u>VT0001229</u>	Rope drum	Longueur tambour / Hoist drum length C Chariot / Trolley A-B-F-H-J-L-M-N-W	1
13	<u>VT0003495</u>	Rope drum	Longueur tambour / Hoist drum length C - Chariot / Trolley V	1
13	<u>VT0003233</u>	Rope drum	Longueur tambour / Hoist drum length D Chariot / Trolley A-B-F-H-J-L-M-N-W	1
14	<u>VT13020004</u>	Rope clamp		2
15	<u>VT0000419</u>	Shaft set	Longueur tambour / Hoist drum length A	4
15	<u>VT0002310</u>	Shaft set	Longueur tambour / Hoist drum length D	4
15	<u>VT0000420</u>	Shaft set	Tambour / Drum C	4
16	<u>VT0004182</u>	Roller; Guide roller		1
-	<u>VT0000038</u>	Rope clamb	Chariot / Trolley V	1
-	<u>VT0000494</u>	Rope clam set		1
-	<u>VT0000492</u>	Rope clam set		1
-	<u>VT0000452</u>	Rope clam set		1

2.2) Precut rope

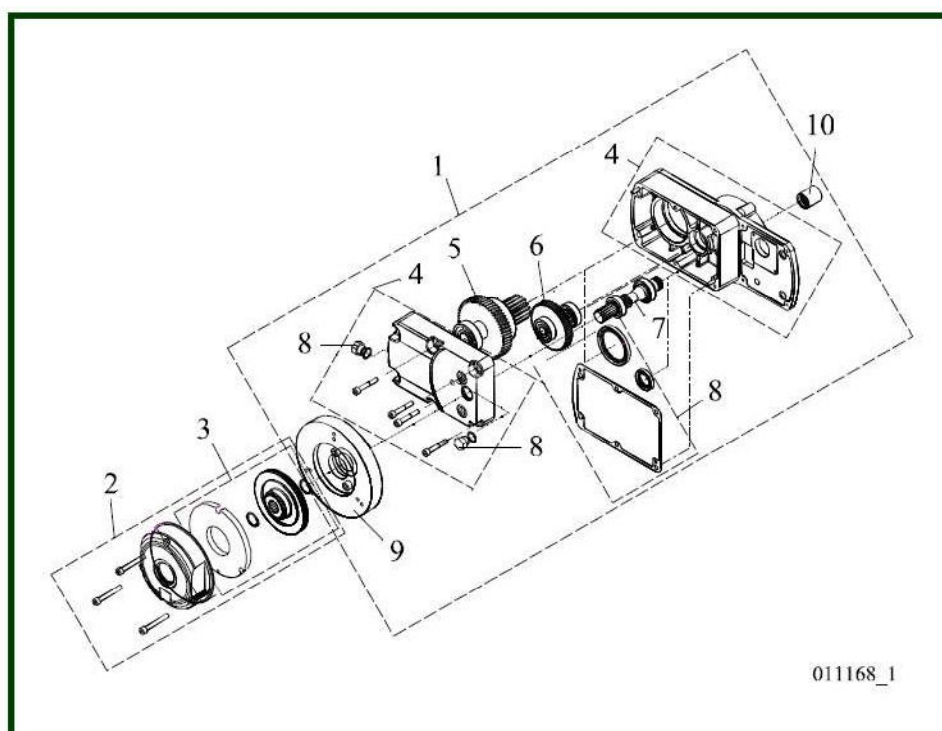
item	reference	description	observation	Quantity
	<u>53042837</u>	Precut wire rope - Ø 6.4mm Left 8x19 - Trolley F-H-L-M-MA-MB-N-W-J-N	28 m	1
	<u>53058915</u>	Precut wire rope - Ø 6.4mm Left 8x19 - Trolley F-H-L-M-MA-MB-N-W-J-N	30 m	1
	<u>53044868</u>	Precut wire rope - Ø 6.7mm Left 17x7	29 m	1

3) Gear



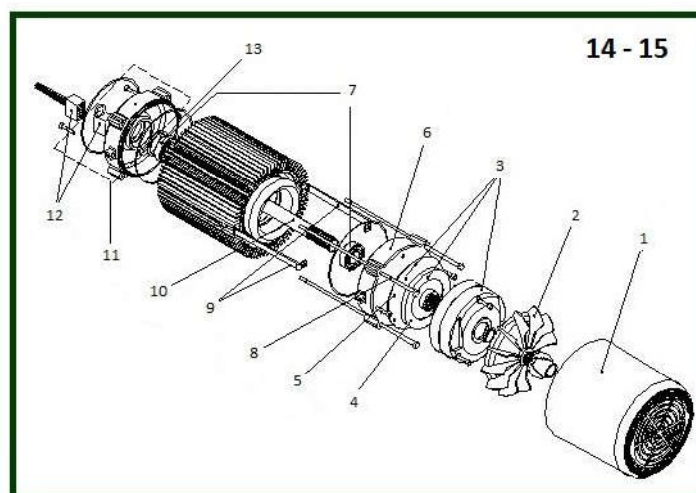
item	reference	description	observation	Quantity
1	VT0003478	Gear	Type de réducteur / Hoisting gear type E	1
1	VT0000588	Gear	Type de réducteur / Hoisting gear type F	1
1	VT0000590	Gear	Type de réducteur / Hoisting gear type G	1
1	VT0003207	Gear	Type de réducteur / Hoisting gear type H	1
2	NC CR	Gear housing		1
3 & 4	NC ARB	Spline shaft		1
10	VT13030003	Sealing set		1
11	VT11030001	Coupling sleeve		1
12	NC ROU	Bearing set		1

3.1) Second disk brake



item	reference	description	observation	Quantity
1	<u>VT0002519</u>	Gear	Type de réducteur / Hoisting gear type E	1
1	<u>VT0002516</u>	Gear	Type de réducteur / Hoisting gear type F	1
1	<u>VT0003370</u>	Gear	Type de réducteur / Hoisting gear type G (VT0002517)	1
1	<u>VT0002518</u>	Gear	Type de réducteur / Hoisting gear type H	1
2	<u>VT0003470</u>	Brake	200V 300V (VT0002515)	1
2	<u>VT0003467</u>	Brake	346V 480V (VT0002512)	1
2	<u>VT0003468</u>	Brake	500V 600V (VT0002513)	1
2	<u>VT0003469</u>	Brake	660V 690V (VT0002514)	1
3	<u>VT0003524</u>	Brake disc set	(VT0002667)	1
4	<u>NC CR</u>	Gear housing		1
5 & 6 & 7	<u>NC ARB</u>	Spline shaft		1
8	<u>VT0002646</u>	Sealing seat		1
9	<u>NC FIX</u>	Fixing plate		1
10	<u>VT11030001</u>	Coupling sleeve		1

4) Size lifting motor 1& 2 - Hoist motor type P & T

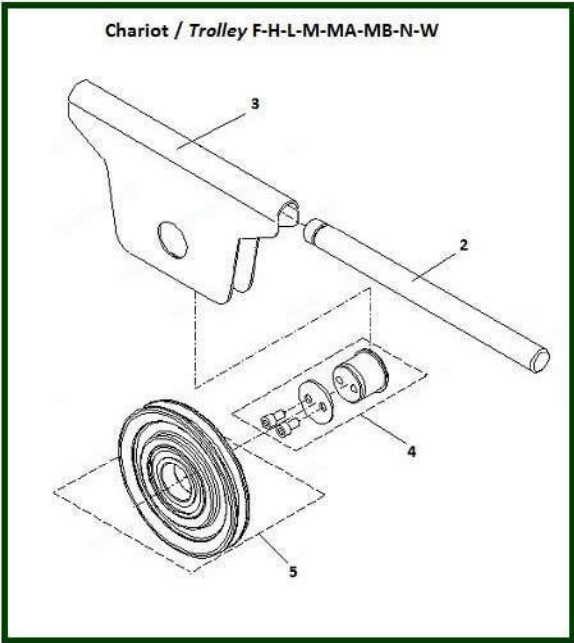


Lors de la commande d'un moteur veuillez indiquer le n° de série
When ordering motors please specify motor serial number

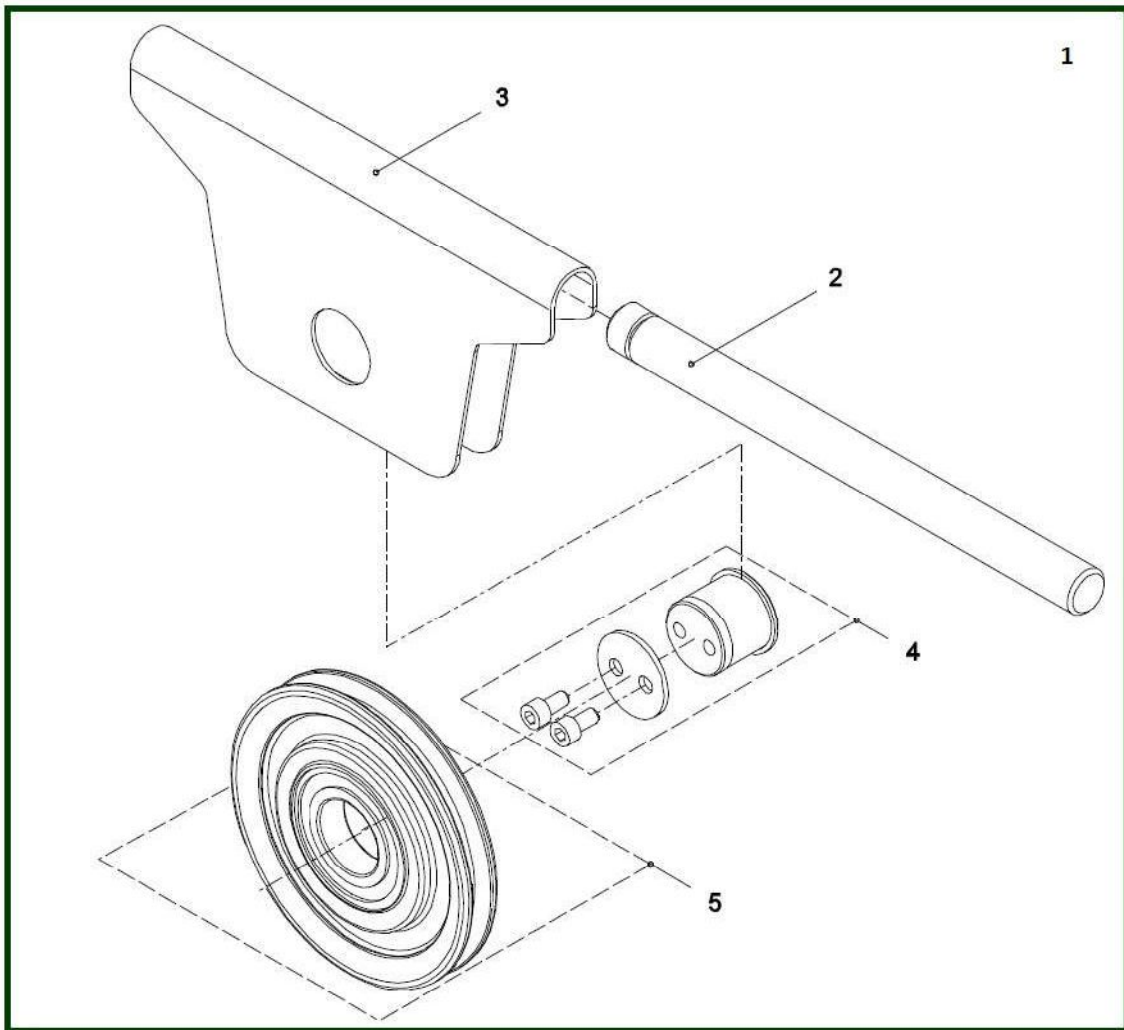
item	reference	description	observation	Quantity
1	VT0002298	Cover		1
1	VT0000629	Cover	(VT11040001-VT0000217)	1
2	VT11040002	Van		1
3	VT14041001	Brake - 200/240V	(VT0002863)	1
3	VT14041801	Brake - 346/480V	(VT0002840)	1
3	VT0002848	Brake - 500/600V		1
3	VT14042901	Brake - 660/690V - 50Hz	(VT0002857)	1
4	VT11040003	Brake disk		1
5	VT0000630	Friction disc	(VT11040004)	1
6	VT0000632	Flange	(VT11040007-VT11040007)	1
7	VT13040001	Bearing set	Type de moteur / Hoist motor type T	1
8	VT13040181	Screw set	Taille moteur levage / Hoist motor size 1	1
8	VT13040361	Screw set	Taille moteur levage / Hoist motor size 2	1
9	VT11040006	Support		1
10	VT13040182	Shaft assembly	P1	1
10	VT13040362	Shaft assembly	P2	1
10	VT0000067	Shaft assembly	Type de moteur / Hoist motor type T	1
11	VT0000051	Flange	(VT11040005 VT11040007)	1
12	VT0001784	Plug	(VT14040001 - VT0000631)	1
13	VT0000069	Sensor	Type de moteur / Hoist motor type T	1
14	NC(5)	External chain guide	Not supplied anymore replaced by 52309591	1
14	VT0001875	Motor	Taille moteur levage / Hoist motor size 1 Type de moteur/Hoist motor type T	1
14	VT0001876	Motor	Taille moteur levage / Hoist motor size 2 Type de moteur/Hoist motor type T	1
14	VT0001874	Motor 208/230V 60Hz	P2-Fin de course mécanique - Sans dispositif de surcharge - Jauge de contrainte P2-Mechanical limit switch - Without overload device -Strain gauge	1
14	VT0001704	Motor 220/240V 50Hz	P1-Fin de course mécanique - Sans dispositif de surcharge - Jauge de contrainte P1-Mechanical limit switch - Without overload device -Strain gauge	1
14	VT0001705	Motor 220/240V 50Hz	P2-Fin de course mécanique - Sans dispositif de surcharge - Jauge de contrainte P2-Mechanical limit switch - Without overload device -Strain gauge	1
14	VT14041811	Motor 380/415V 50Hz - 440/480 60Hz	P1-Fin de course mécanique - Sans dispositif de surcharge - Jauge de contrainte P1-Mechanical limit switch - Without overload device -Strain gauge	1

14	<u>VT14041831</u>	Motor 380/415V 50Hz - 440/480 60Hz	P2-Fin de course mécanique - Sans dispositif de surcharge - Jauge de contrainte P2-Mechanical limit switch - Without overload device -Strain gauge	1
14	<u>VT0000040</u>	Motor 500/525V 50Hz - 550/600V 60Hz	P2-Fin de course mécanique - Sans dispositif de surcharge - Jauge de contrainte P2-Mechanical limit switch - Without overload device -Strain gauge	1
14	<u>VT0000039</u>	Motor 500/525V 50Hz - 550/600V 60Hz	P1-Fin de course mécanique - Sans dispositif de surcharge - Jauge de contrainte P1-Mechanical limit switch - Without overload device -Strain gauge	1
15	<u>VT0002115</u>	Motor 208/230V 60Hz	P1-Fin de course mécanique - Mesure de puissance de levage P1-Mechanical limit switch - Hoist power measurement	1
15	<u>VT0002118</u>	Motor 208/230V 60Hz	P2-Fin de course mécanique - Mesure de puissance de levage P2-Mechanical limit switch - Hoist power measurement	1
15	<u>VT0002117</u>	Motor 220/240V 50Hz	P2-Fin de course mécanique - Mesure de puissance de levage P2-Mechanical limit switch - Hoist power measurement	1
15	<u>VT0002114</u>	Motor 220/240V 50Hz	P1-Fin de course mécanique - Mesure de puissance de levage P1-Mechanical limit switch - Hoist power measurement	1
15	<u>VT0002113</u>	Motor 380/415V 50Hz - 440/480 60Hz	P1-Fin de course mécanique - Mesure de puissance de levage P1-Mechanical limit switch - Hoist power measurement	1
15	<u>VT0002112</u>	Motor 380/415V 50Hz - 440/480 60Hz	P2-Fin de course mécanique - Mesure de puissance de levage P2-Mechanical limit switch - Hoist power measurement	1
15	<u>VT0002116</u>	Motor 500/525V 50Hz - 550/600V 60Hz	P1-Fin de course mécanique - Mesure de puissance de levage P1-Mechanical limit switch - Hoist power measurement	1
15	<u>VT0002119</u>	Motor 500/525V 50Hz - 550/600V 60Hz	P2-Fin de course mécanique - Mesure de puissance de levage P2-Mechanical limit switch - Hoist power measurement	1

5) Rope sheave

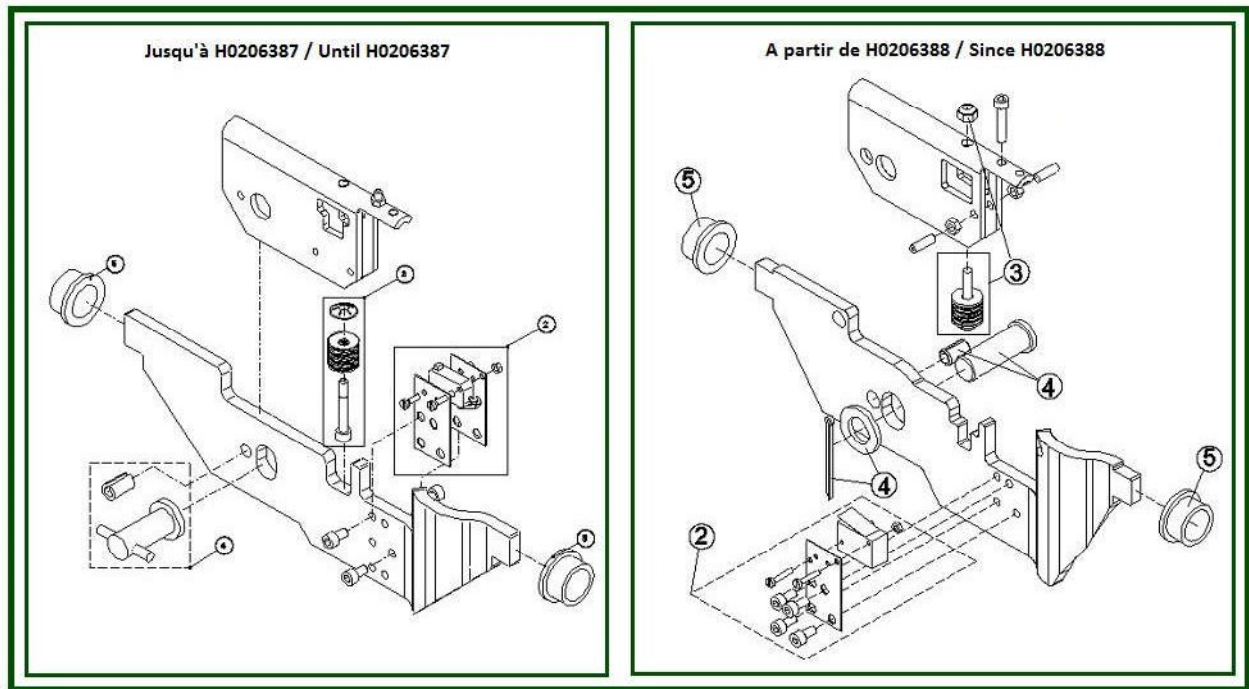


5.1) F-H-L-M-MA-MB-N-W Trolley



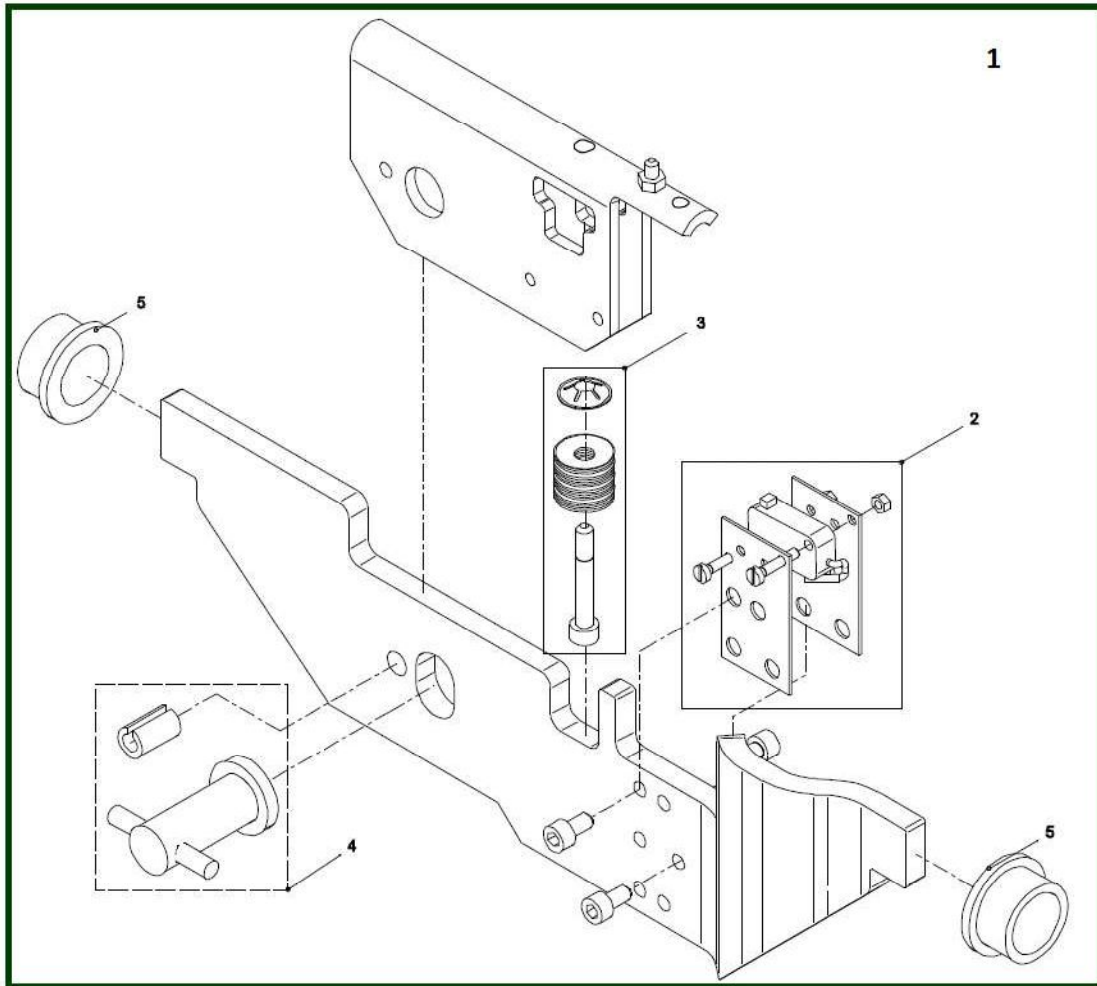
item	reference	description	observation	Quantity
1	VT13054101	Sheave; Rope sheave		1
2	VT11054101	Shaft		1
3	VT11054102	Sheave support		1
4	VT13054103	Shaft set	Code mouflage / Reeving system A4	1
5	VT0000727	Sheave; Rope sheave - Ø 146		1

6) Overload device



**6.1) Rope reeving code 04/1 - Overload device type = MEC, MECPOW
(mechanical, current measurement + mechanical)
F-H-L-M-MA-MB-N-W Trolley**

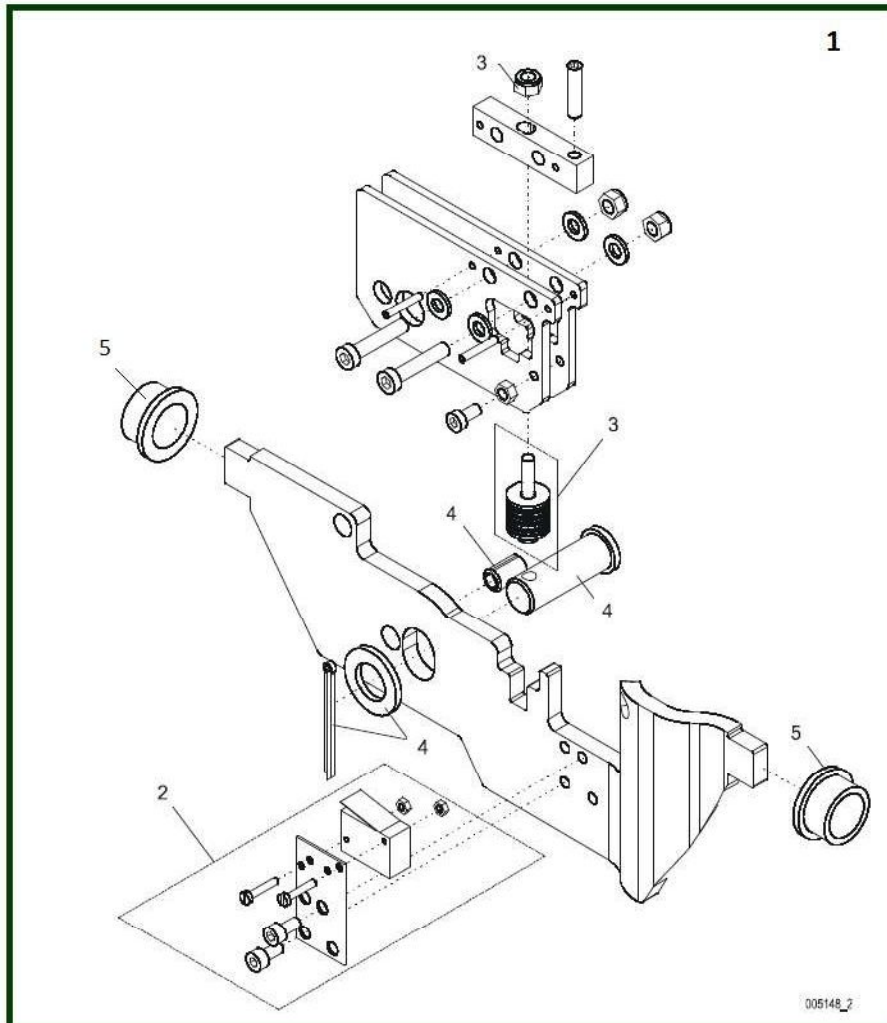
Jusqu'à / Up to H0206387



item	reference	description	observation	Quantity
1	VT0000004	Overload device	1251-3200kg - Code mouflage / Rope reeving code 04	1
1	VT0000005	Overload device	< 1250 kg - Code mouflage / Rope reeving code 04	1
2	VT14060001	Micro switch		1
3	VT13060002	Spring set	625-1600 kg - Code mouflage / Rope reeving code 02 1250-3199 kg - Code mouflage / Rope reeving code 04	1
3	VT0000010	Spring set	< 626 kg - Code mouflage / Rope reeving code 02 < 1250 kg - Code mouflage / Rope reeving code 04	1
4	VT13060003	Shaft set		1
5	VT11060001	Bearing		1

**6.2) Rope reeving code 04/1 - Overload device type = MEC, MECPOW
(mechanical, current measurement + mechanical)
F-H-L-M-MA-MB-N-W Trolley**

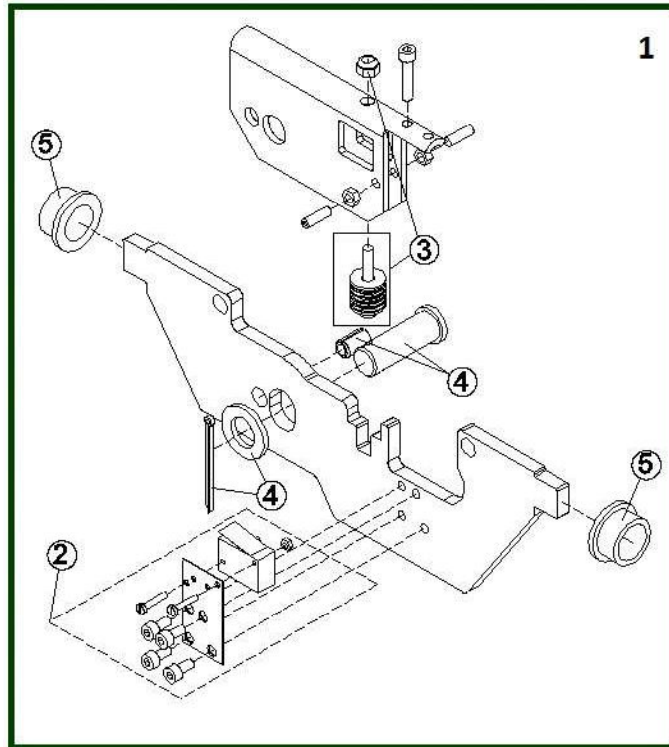
A partir de / From H0206388



item	reference	description	observation	Quantity
1	VT0000007	Overload device	1000-1599 kg - Code mouflage / Rope reeving code 04	1
1	VT0000006	Overload device	1600-3199 kg - Code mouflage / Rope reeving code 04	1
2	VT0000952	Micro switch		1
3	VT0000961	Spring set	500-799 kg - Code mouflage / Rope reeving code 02 1000-1599 kg - Code mouflage / Rope reeving code 04	1
3	VT0000960	Spring set	800-1600 kg - Code mouflage / Rope reeving code 02 1600-3200 kg - Code mouflage / Rope reeving code 04	1
4	VT13060003	Shaft set		1
5	VT11060001	Bearing		1

**6.3) Rope reeving code 02/1 - Overload device type MEC, MECPOW
(mechanical, current measurement+mechanical)
F-H-L-M-MA-MB-N-W Trolley**

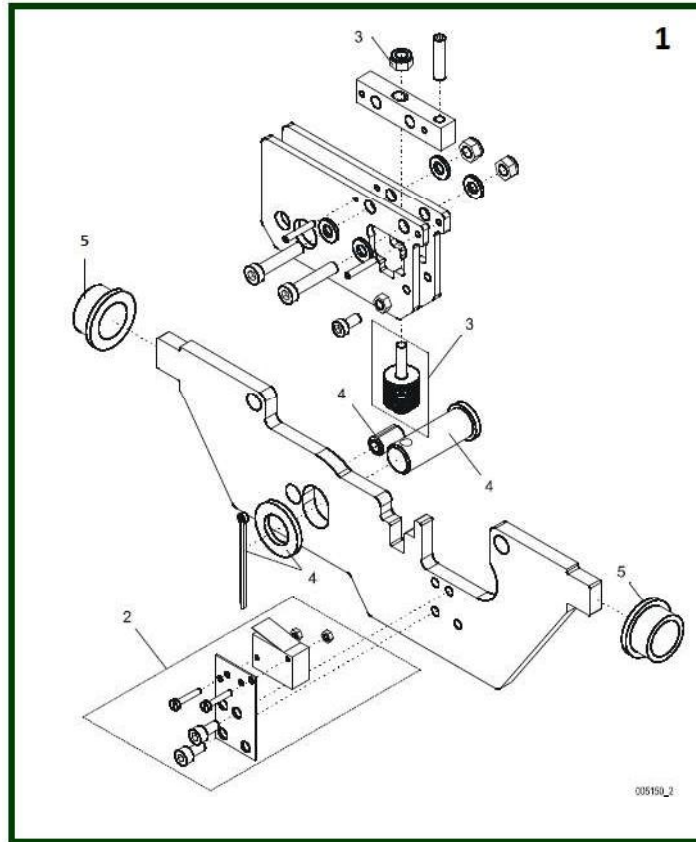
Jusqu'à / Up to H0206387



item	reference	description	observation	Quantity
1	VT13060001	Overload device	625-1600 kg - Code mouflage / Rope reeving code 02	1
1	VT0000001	Overload device	< 625 kg - Code mouflage / Rope reeving code 02	1
2	VT14060001	Micro switch		1
3	VT13060002	Spring set	625-1600 kg - Code mouflage / Rope reeving code 02 1250-3199 kg - Code mouflage / Rope reeving code 04	1
3	VT0000010	Spring set	< 626 kg - Code mouflage / Rope reeving code 02 < 1250 kg - Code mouflage / Rope reeving code 04	1
4	VT13060003	Shaft set		1
5	VT11060001	Bearing		1

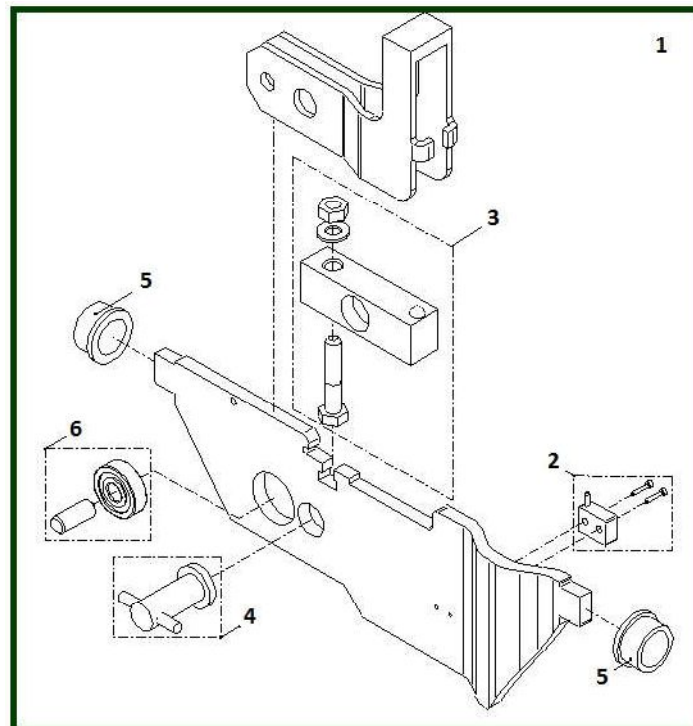
**6.4) Rope reeving code 02/1 - Overload device type = MEC,MECPOW
(mechanical, current measurement+mechanical)
F-H-L-M-MA-MB-N-W Trolley**

A partir de / From H0206388



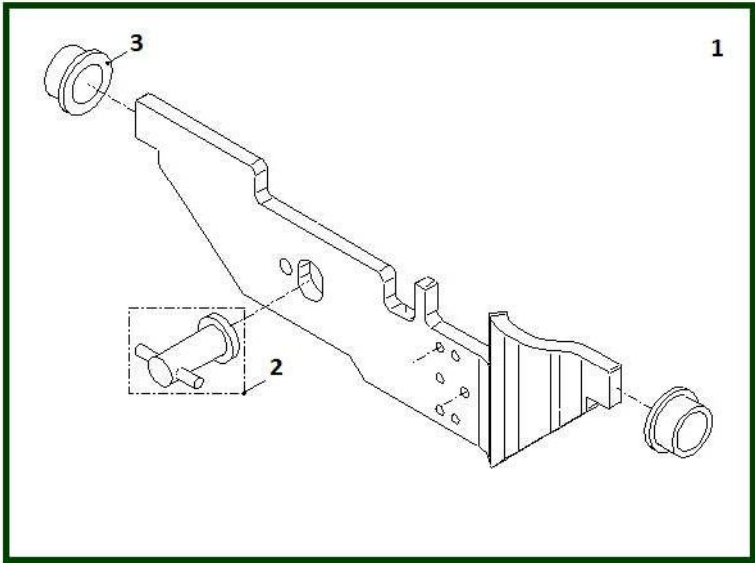
item	reference	description	observation	Quantity
1	VT0000003	Overload device	500-799 kg - Code mouflage / Rope reeving code 02	1
1	VT0000002	Overload device	800-1600 kg - Code mouflage / Rope reeving code 02	1
2	VT0000952	Micro switch		1
3	VT0000961	Spring set	500-799 kg - Code mouflage / Rope reeving code 02 1000-1599 kg - Code mouflage / Rope reeving code 04	1
3	VT0000960	Spring set	800-1600 kg - Code mouflage / Rope reeving code 02 1600-3200 kg - Code mouflage / Rope reeving code 04	1
3	VT0000010	Spring set	< 626 kg - Code mouflage / Rope reeving code 02 < 1250 kg - Code mouflage / Rope reeving code 04	1
4	VT13060003	Shaft set		1
5	VT11060001	Bearing		1

6.5) SG Overload device / Otherwise gauge



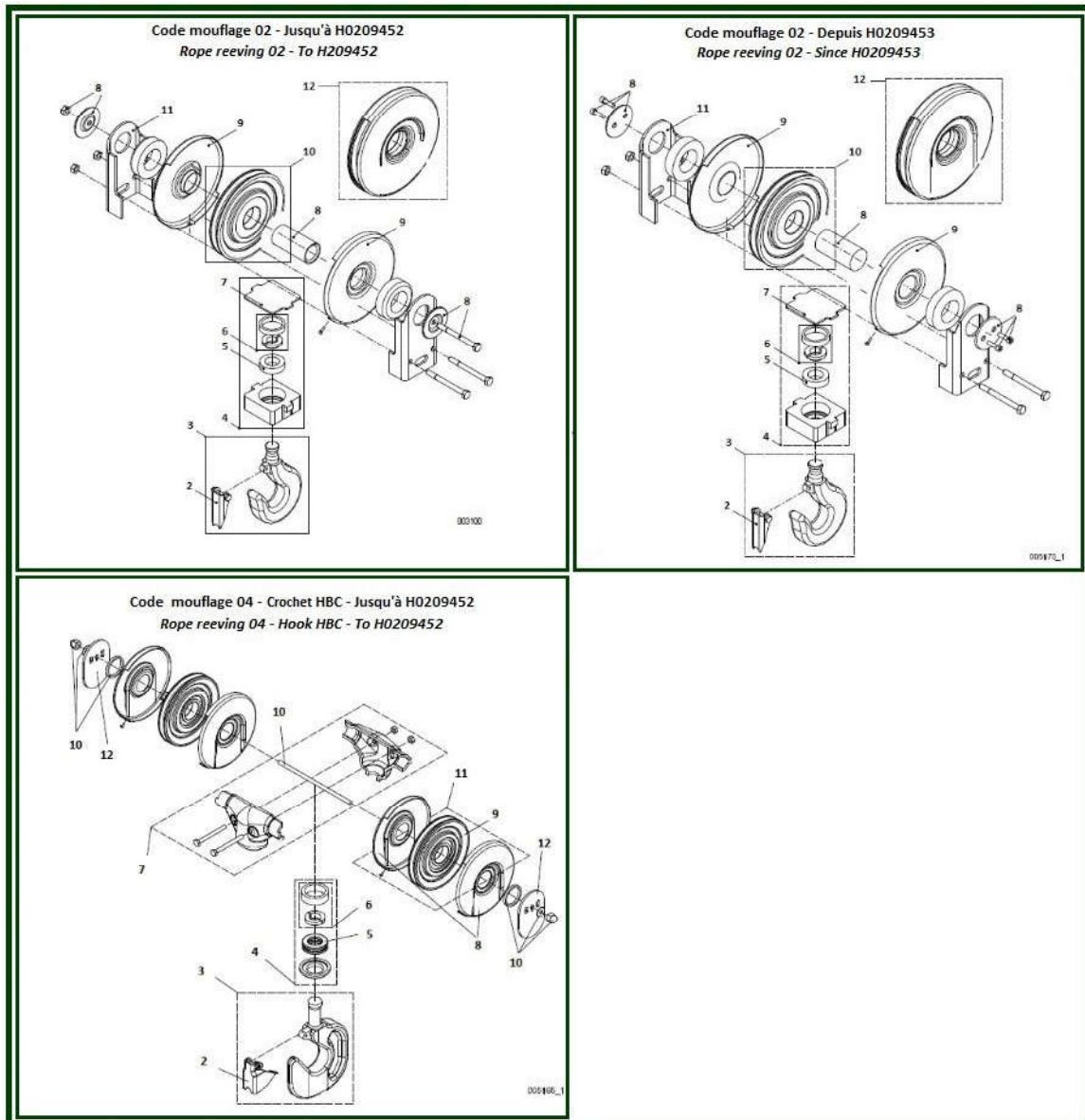
item	reference	description	observation	Quantity
1	<u>VT13060004</u>	Overload device	Code mouflage / Rope reeving code 02	1
1	<u>VT0000013</u>	Overload device	Code mouflage / Rope reeving code 04	1
2	<u>VT0000011</u>	Micro switch		1
3	<u>VT0003705</u>	Strain Gauge	From serial n° HHY49374 (KHF own hoists) and HHZ05271 (engines)	1
3	<u>VT0000014</u>	Strain Gauge	To serial n° HHY49373 (KHF own hoists) and HHZ05270 (engines) - (VT13060005)	1
4	<u>VT0000012</u>	Shaft set	(VT0000579)	1
5	<u>VT11060001</u>	Bearing		2
6	<u>VT13060006</u>	Bearing set		1

6.6) Rope reeving 02-04-06-08-22-24-26-28 - Overload device type = NO,POW (without, motor current measurement)

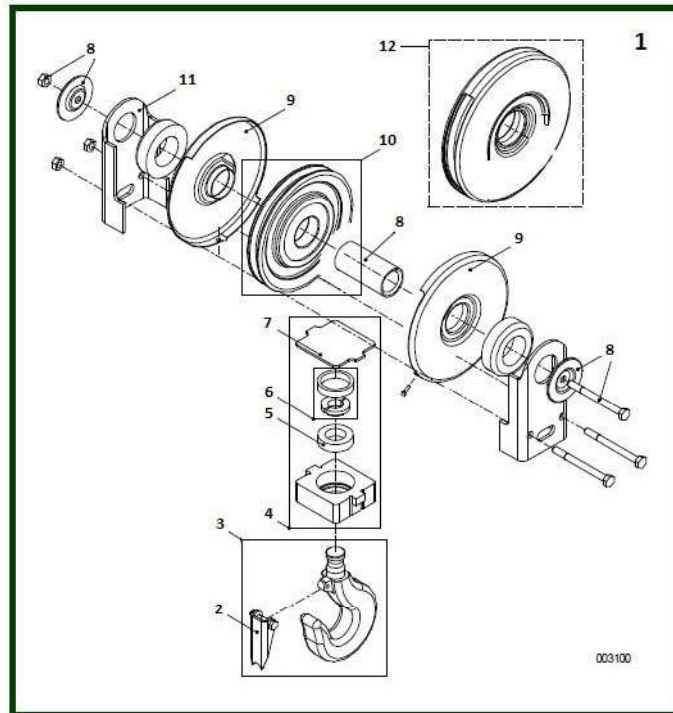


item	reference	description	observation	Quantity
1	VT0000580	Rope support	Code mouflage / Rope reeving code 02	1
1	VT0000581	Rope support	Code mouflage / Rope reeving code 04	1
2	VT0000012	Shaft set	(VT0000579)	1
3	VT11060001	Bearing		1

7) Hook

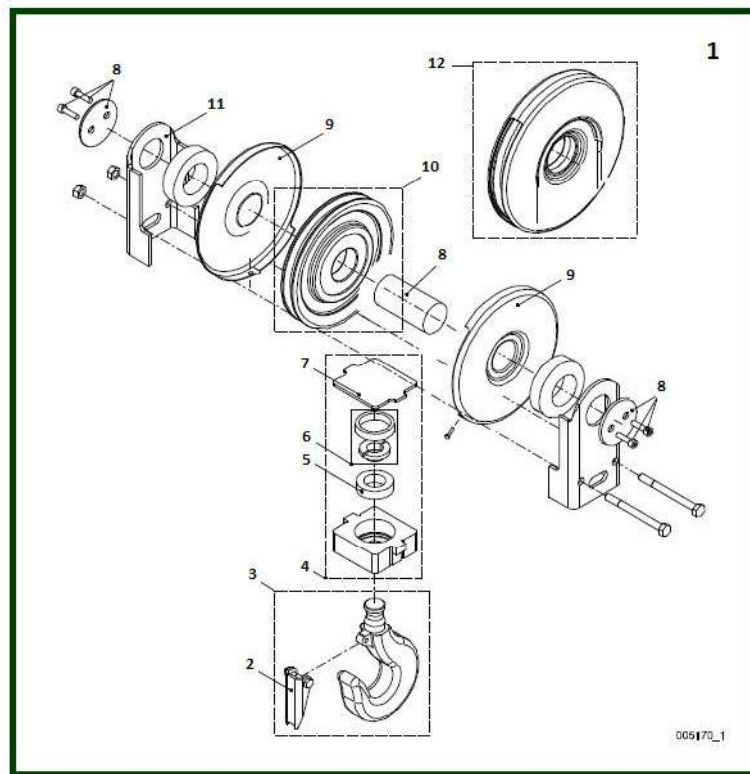


7.1) Rope reeving code 02 - Up to H0209452



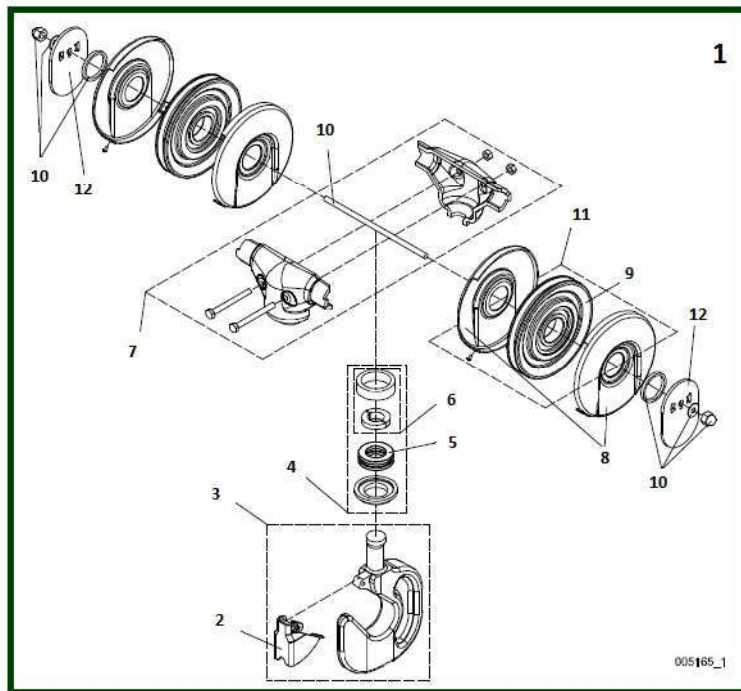
item	reference	description	observation	Quantity
1	<u>VT0000464</u>	Hook block	Taille crochet / Special hook forging : RSN2.5	1
1	<u>VT0000461</u>	Hook block	Taille crochet / Special hook forging size : RSN1.6	1
1	<u>VT0000465</u>	Hook block	Taille crochet / Special hook forging size : RSN4	1
2	<u>VT11072101</u>	Safety latch	HBC hook forging replaced by standard RSN forging = "FALSE"	1
3	<u>VT0000466</u>	Hook	Taille crochet / Special hook forging : RSN2.5	1
3	<u>VT0000467</u>	Hook	Taille crochet / Special hook forging : RSN4	1
3	<u>VT0000462</u>	Hook	Taille crochet / Special hook forging size : RSN1.6	1
4	<u>VT13072102</u>	Bearing set		1
5	<u>VT11074103</u>	Thrust bearing		1
6	<u>VT13072103</u>	Locking set		1
7	<u>VT11072104</u>	Cover plate		1
8	<u>VT13072104</u>	Shaft assy	Jusqu'à / to H0209452	1
9	<u>VT0000475</u>	Cover plate	Jusqu'à / to H0209452	1
10	<u>VT0000727</u>	Sheave; Rope sheave - Ø 146		1
11	<u>VT11072105</u>	Side plate		1
12	<u>VT0000476</u>	Rope sheave set	Jusqu'à / to H0209452	1

7.2) Rope reeving code 02 - From H0209453



item	reference	description	observation	Quantity
1	VT0000464	Hook block	Taille crochet / Special hook forging : RSN2.5	1
1	VT0000461	Hook block	Taille crochet / Special hook forging size : RSN1.6	1
1	VT0000465	Hook block	Taille crochet / Special hook forging size : RSN4	1
2	VT11072101	Safety latch	HBC hook forging replaced by standard RSN forging = "FALSE"	1
3	VT0000466	Hook	Taille crochet / Special hook forging : RSN2.5	1
3	VT0000467	Hook	Taille crochet / Special hook forging : RSN4	1
3	VT0000462	Hook	Taille crochet / Special hook forging size : RSN1.6	1
4	VT13072102	Bearing set		1
5	VT11074103	Thrust bearing		1
6	VT13072103	Locking set		1
7	VT11072104	Cover plate		1
8	VT0001251	Shaft assy	Depuis / From H0209453	1
9	VT0001253	Cover plate	Depuis / From H0209453	1
10	VT0000727	Sheave; Rope sheave - Ø 146		1
11	VT11072105	Side plate		1
12	VT0001255	Rope sheave set	Depuis / From H0209453	1

7.3) Rope reeving code 04 - HBC hook - Up to H0209452

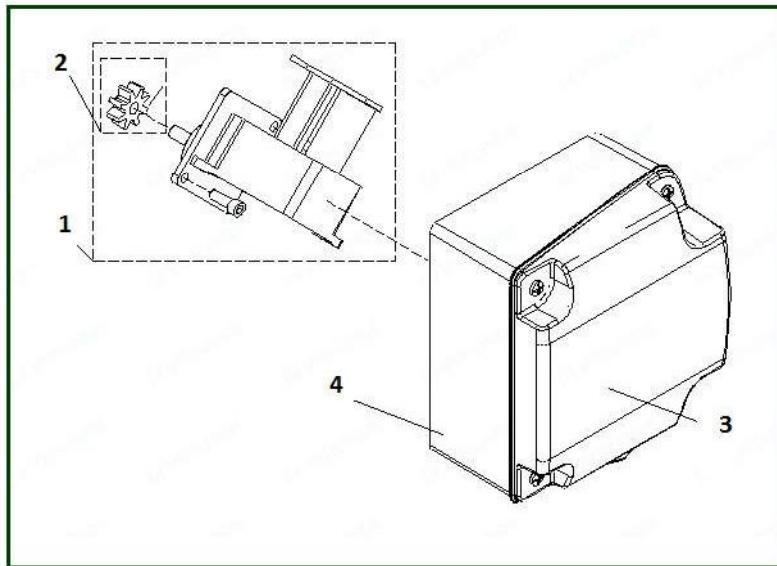


item	reference	description	observation	Quantity
1	VT0002155	Hook block		1
1	VT0003315	Hook block		1
1	VT0001335	Hook block		1
1	VT0000586	Hook block	Remplace / Replaces : 52295978	1
2	VT0000398	Safety latch set	HBC hook forging replaced by standard RSN forging = "FALSE"	1
2	VT0000282	Safety latch set	Jusqu'à / To H0206303 VT11072101	1
3	VT0002499	Hook		1
3	VT0002470	Hook		1
3	VT0002461	Hook	HBC hook forging replaced by standard RSN forging = "FALSE"	1
3	VT11074102	Hook	Moufle 4/1	1
4	VT13074102	Bearing set		1
5	VT11074103	Thrust bearing		1
6	VT13072103	Locking set		1
7	VT13074103	Bearing set	Jusqu'à / Up to H0209452	1
8	VT0000472	Cover plate	Jusqu'à / Up to H0209452	2
9	VT0000727	Sheave; Rope sheave - Ø 146		2
10	VT13074104	Shaft set (item 12)	Jusqu'à / Up to H0209452	1
11	VT0000474	Sheave / Rope sheave	Jusqu'à / Up to H0209452	2
12	VT0001336	Locking plate		2

7.4) Rope reeving 04 - HBC Hook - Since H0209453

item	reference	description	observation	Quantity
1	<u>VT0002155</u>	Hook block		1
1	<u>VT0003315</u>	Hook block		1
1	<u>VT0001335</u>	Hook block		1
1	<u>VT0000586</u>	Hook block	Remplace / Replaces : 52295978	1
2	<u>VT0000398</u>	Safety latch set	HBC hook forging replaced by standard RSN forging = "FALSE"	1
2	<u>VT0000282</u>	Safety latch set	Jusqu'à / To H0206303 VT11072101	1
3	<u>VT0002499</u>	Hook		1
3	<u>VT0002470</u>	Hook		1
3	<u>VT0002461</u>	Hook	HBC hook forging replaced by standard RSN forging = "FALSE"	1
3	<u>VT11074102</u>	Hook	Moufle 4/1	1
4	<u>VT13074102</u>	Bearing set		1
5	<u>VT11074103</u>	Thrust bearing		1
6	<u>VT13072103</u>	Locking set		1
7	<u>VT0001256</u>	Bearing set	Depuis / From H0209453	1
8	<u>VT0001253</u>	Cover plate	Depuis / From H0209453	2
9	<u>VT0000727</u>	Sheave; Rope sheave - Ø 146		2
10	<u>VT0001258</u>	Shaft set (item 12)	Depuis / From H0209453	1
11	<u>VT0001255</u>	Rope sheave set	Depuis / From H0209453	2
12	<u>VT0001336</u>	Locking plate		2

8) Hoisting limit switch



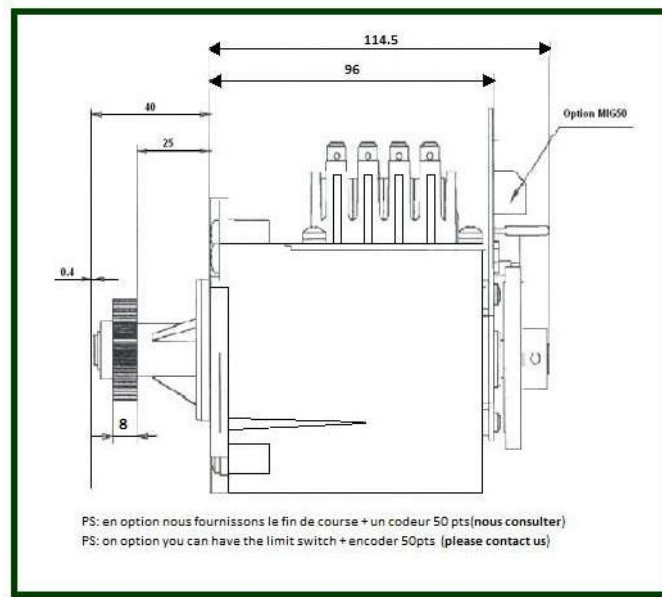
item	reference	description	observation	Quantity
1	<u>VT14080001</u>	Limit switch	Numéro de série requis / Hoist serial number requested	1
1	<u>VT0000422</u>	Limit switch	Numéro de série requis - Remplacé par 52322706 pour tambour A - Remplacé par 52322713 pour tambour C Serial number requested - Replaced by 52322706 for Drum A - Replaced by 52322713 for drum C	1
2	<u>VT11080002</u>	Gear wheel set		1
3	<u>VT0001238</u>	Junction box	Couvercle	1
3+4	<u>VT0002462</u>	Junction box		1
4	<u>VT0001248</u>	Junction box	Embase	1
-	<u>VT14080002</u>	Drum	Tambour / Drum : A-C	1

8.1) Standard lifting



item	reference	description	observation	Quantity
-	<u>52322706</u>	Limit switch	Tambour / Drum A	1
-	<u>52322713</u>	Limit switch	Tambour / Drum C	1

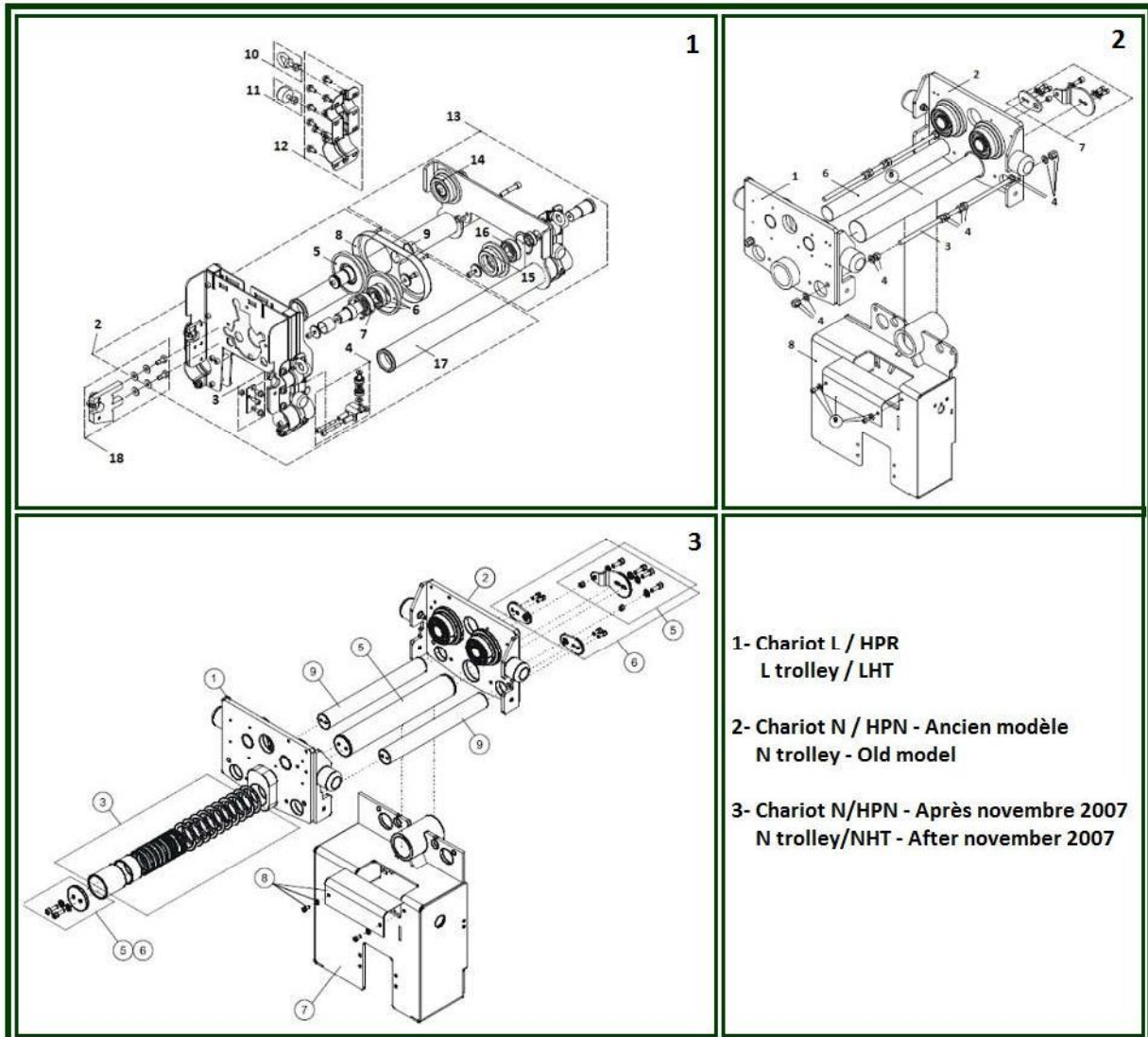
8.2) True vertical lifting



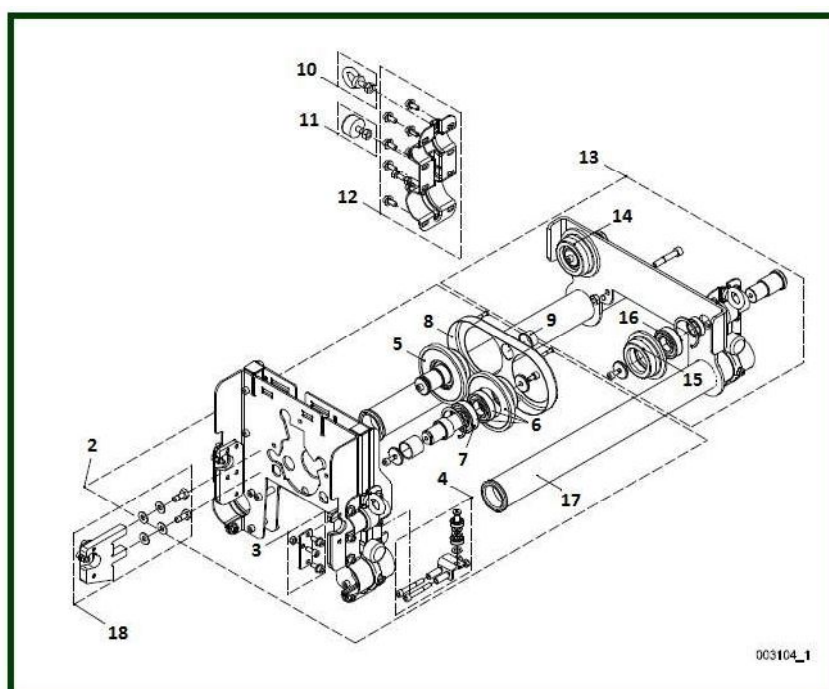
item	reference	description	observation	Quantity
1	52322706	Limit switch	Tambour / Drum A	1

9) Trolley

Charge (S) <= 5000 / Type de chariot = L

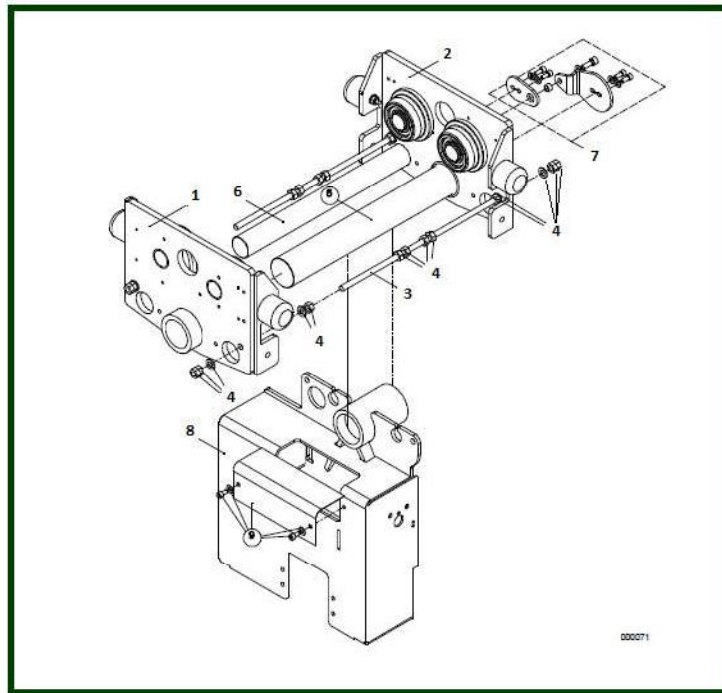


9.1) L Trolley / LHT



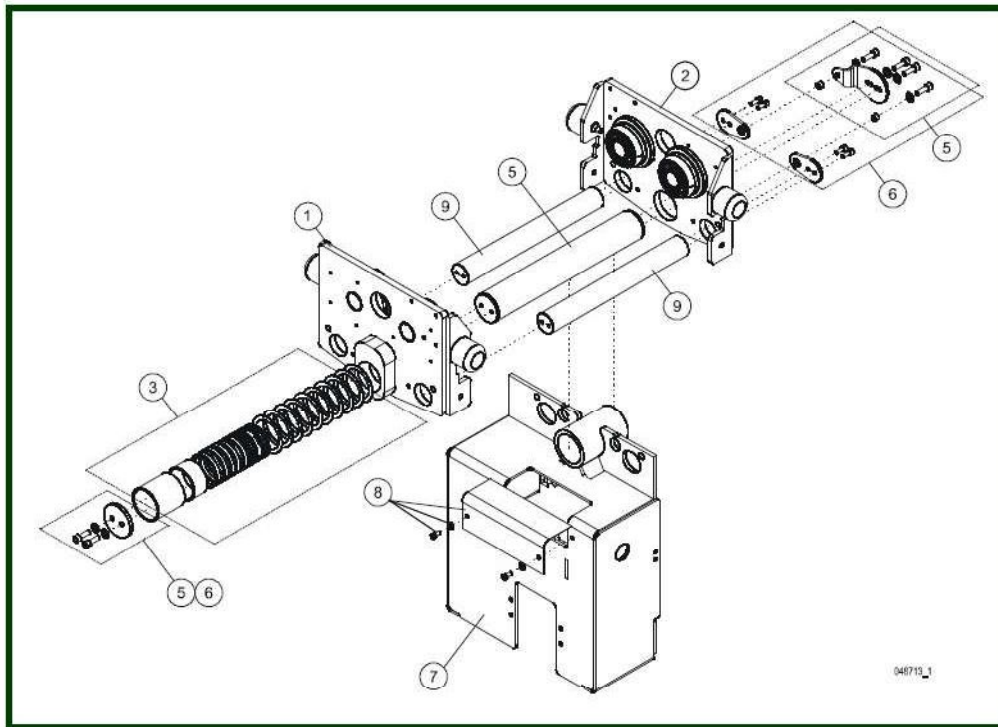
item	reference	description	observation	Quantity
2	VT0000625	Motorized trolley	Galet spécial - Longueur tambour C Special wheel - Hoist drum length C	1
2	VT1309L002	Motorized trolley	Galet standard - Longueur tambour A Standard wheel - Hoist drum length A	1
2	VT1309L009	Motorized trolley	Galet standard - Longueur tambour C Standard wheel - Hoist drum length C	1
3	VT1109L001	Plate		2
4	VT1309L003	Part support		2
5	VT0000619	Driving wheel	Patent track wheels for trolley	2
6	VT0002005	Driving wheel	Seulement D 80 mm - Galet standard Only D 80 mm - Standard wheel	2
6	VT1109L002	Driving wheel	Seulement D 80 mm - Galet standard Only D 80 mm - Standard wheel	2
6	VT0002831	Travel wheel; Driving	Patent track wheels for trolley	1
7 & 16	VT1109LN01	Bearing; Ball bearing		4
8	VT1109LN02	Protective travel wheel cover		1
9	VT1109LN03	Cap		1
10	VT1109L003	Lifting eye		4
11	VT1109LN04	Buffer		4
12	VT1309L005	Rods fixing set		1
13	VT0000626	Side plate (free) module	Galet spécial - Longueur tambour A Special wheel - Hoist drum length A	1
13	VT0000627	Side plate (free) module	Galet spécial - Longueur tambour C Special wheel - Hoist drum length C	1
13	VT1309L006	Side plate (free) module	Galet standard - Longueur tambour A - HPR Standard wheel - Hoist drum length A - LHT	1
13	VT1309L010	Side plate (free) module	Galet standard - Longueur tambour C - HPR Standard wheel - Hoist drum length C - LHT	1
14	VT0000622	Complete travel wheel idler	Galet spécial / Special wheel - Patent track wheels for trolley	1
15	VT0002006	Complete travel wheel	Galet spécial / Special wheel - Patent track wheels for trolley	1
15	VT1109L004	Complete travel wheel	Galet standard / Standard wheel	1
17	VT1109L006	Tie bolt	Largeur de fer / Iron width : 421 to 940	2
17	VT1109L005	Tie bolt	Largeur de fer / Iron width <= 420	2
18	VT1109L007	Fixing module	Longueur tambour / Hoist drum length C	1

9.2) Old N trolley / NHT



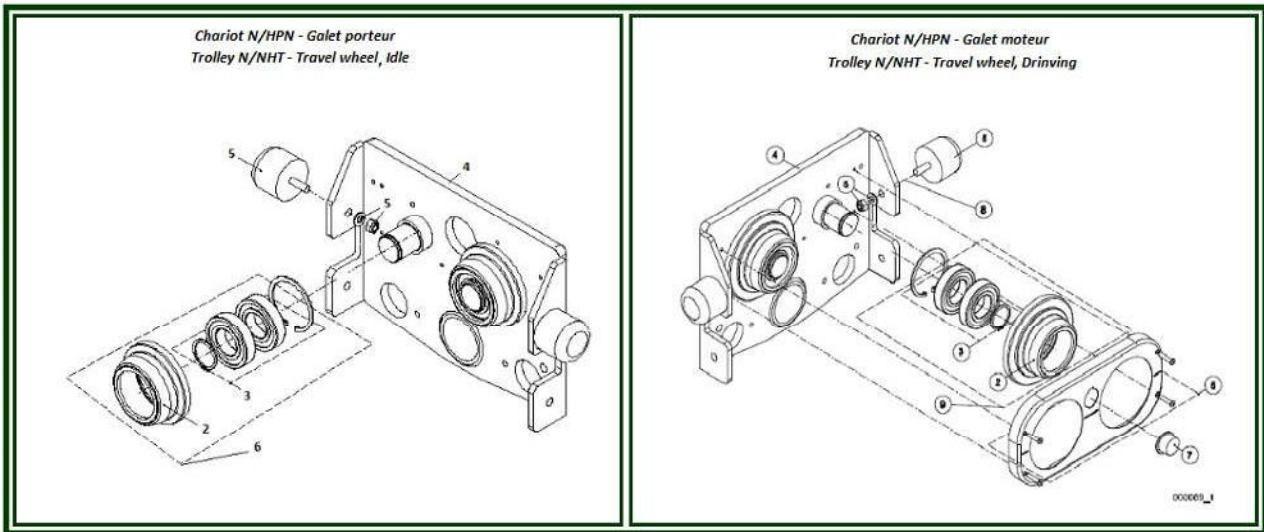
item	reference	description	observation	Quantity
1	VT0000666	Motor side plate	Galet spécial / Special wheel	1
1	VT0000047	Motor side plate	Galet standard / Standard wheel	1
2	VT0000667	Side plate	Galet spécial / Special wheel	1
2	VT0000044	Side plate	Galet standard / Standard wheel	1
3	VT0002818	Screw rod	Largeur de fer / Iron width : 201-330	2
3	VT0002819	Screw rod	Largeur de fer / Iron width : 331-450	2
3	VT0002817	Screw rod	Largeur de fer / Iron width : <= 200	2
4	VT0000052	Fixing set		1
5	VT0000054	Set tie bolt	Ø 70 - Largeur de fer / Iron width : 201-330	1
5	VT0000056	Set tie bolt	Ø 70 - Largeur de fer / Iron width : 331-450	1
5	VT0000053	Set tie bolt	Ø 70 - Largeur de fer / Iron width : <= 200	1
6	VT0000059	Set tie bolt	Ø 50 - Largeur de fer / Iron width : 201-330	1
6	VT0000060	Set tie bolt	Ø 50 - Largeur de fer / Iron width : 331-450	1
6	VT0000057	Set tie bolt	Ø 50 - Largeur de fer / Iron width : <= 200	1
7	VT0000062	Fixing plate		1
8	VT0000065	Frame	Longueur tambour / Hoist drum length A	1
8	VT0000063	Frame	Longueur tambour / Hoist drum length C	1
9	VT0000066	Fixing set		1

9.3) N Trolley / NHT - After november 2007

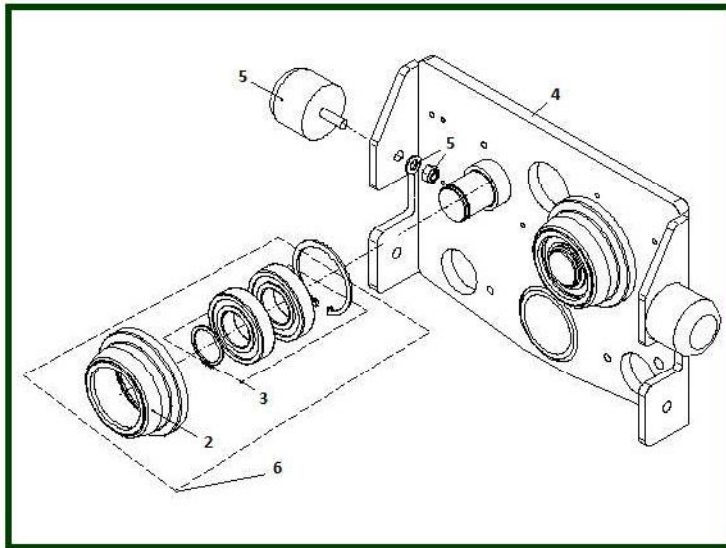


item	reference	description	observation	Quantity
1	VT0000666	Motor side plate	Galet spécial / Special wheel	1
1	VT0000047	Motor side plate	Galet standard / Standard wheel	1
2	VT0000667	Side plate	Galet spécial / Special wheel	1
2	VT0000044	Side plate	Galet standard / Standard wheel	1
3	52369475	Shaft set	201-330	1
3	52369477	Shaft set	331-450	1
3	52369474	Shaft set	<= 200	1
5	VT0000054	Set tie bolt	Ø 70 - Largeur de fer / Iron width : 201-330	1
5	VT0000056	Set tie bolt	Ø 70 - Largeur de fer / Iron width : 331-450	1
5	VT0000053	Set tie bolt	Ø 70 - Largeur de fer / Iron width : <= 200	1
6	VT0000062	Fixing plate		1
7	VT0000065	Frame	Longueur tambour / Hoist drum length A	1
7	VT0000063	Frame	Longueur tambour / Hoist drum length C	1
8	VT0000066	Fixing set		1
9	VT0000059	Set tie bolt	Ø 50 - Largeur de fer / Iron width : 201-330	1
9	VT0000060	Set tie bolt	Ø 50 - Largeur de fer / Iron width : 331-450	1
9	VT0000057	Set tie bolt	Ø 50 - Largeur de fer / Iron width : <= 200	1

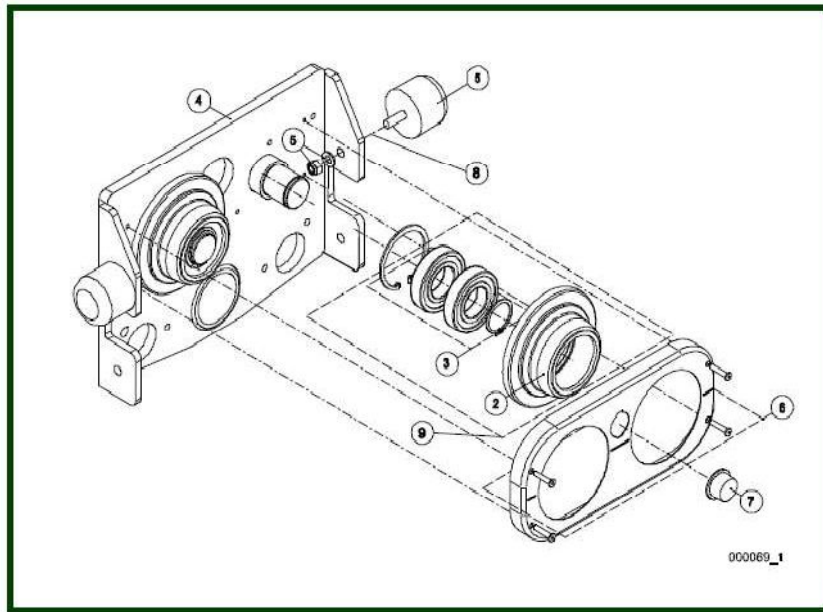
10) Trolley - Side plate



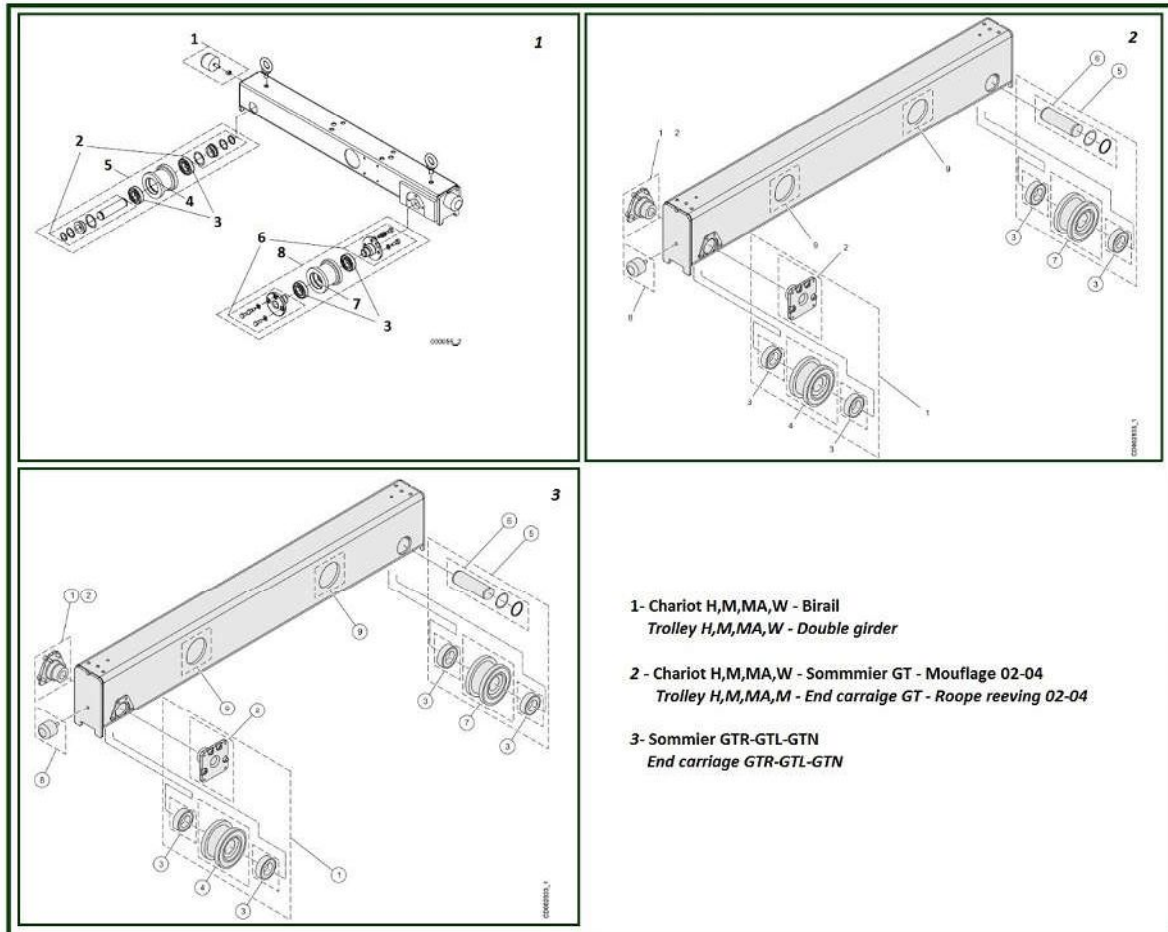
10.1) N Trolley / NHT - Travel wheel idle



10.2) N trolley / NHT - Wheel set driving

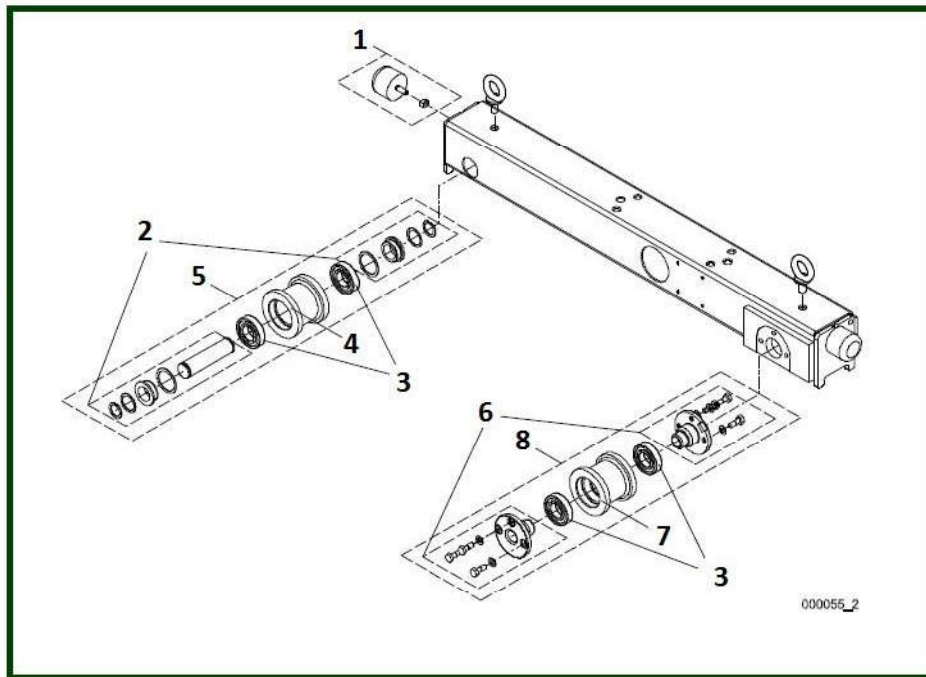


11) Trolley, end carriage



11.1) H,M,MA,W Trolley - Double girder

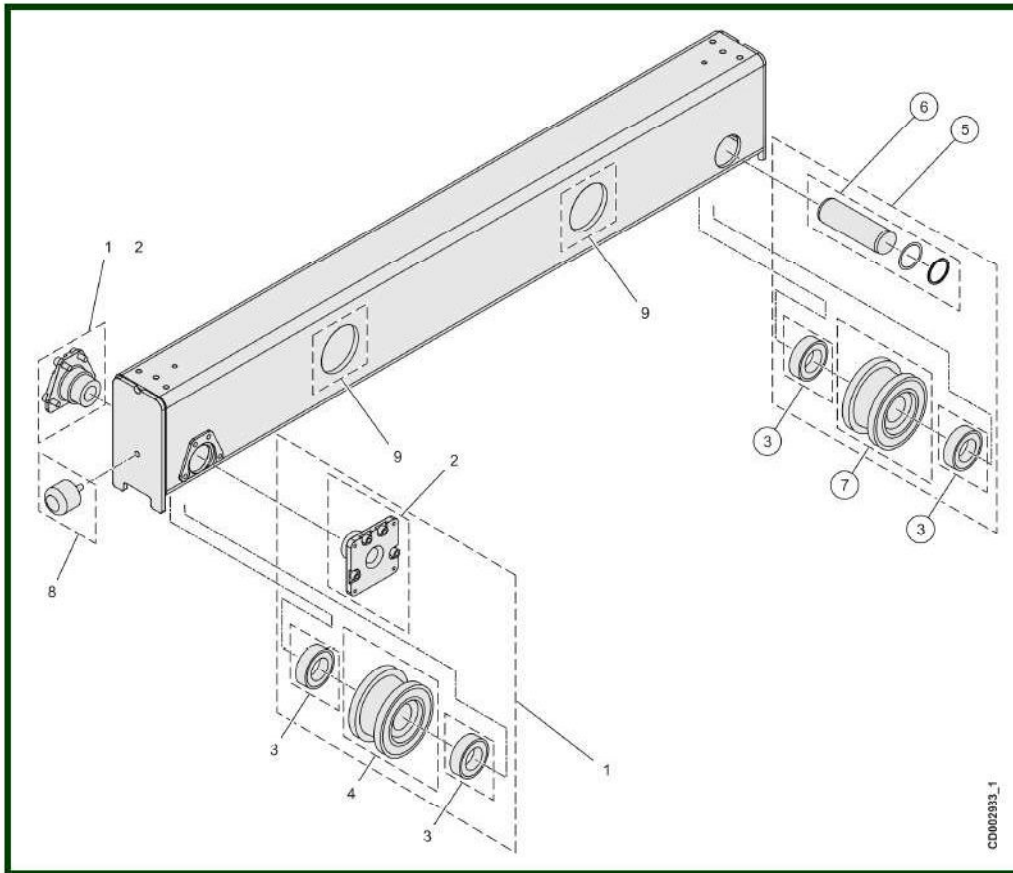
Jusqu'à / To H0315167



item	reference	description	observation	Quantity
1	<u>VT1110D006</u>	Buffer		2
2	<u>VT1310D003</u>	Sleeve set		1
3	<u>VT1110D007</u>	Bearing		4
4	<u>VT0000739</u>	Travel wheel, Idle	G50	1
4	<u>VT0000740</u>	Travel wheel, Idle	G55	1
4	<u>VT0000741</u>	Travel wheel, Idle	G60	1
4	<u>VT1110D008</u>	Travel wheel, Idle	G65	1
4	<u>VT0000742</u>	Travel wheel, Idle	G70	1
5	<u>VT0000733</u>	Travel wheel, Idle	G50	1
5	<u>VT0000732</u>	Travel wheel, Idle	G55	1
5	<u>VT0002008</u>	Travel wheel, Idle	G60	1
5	<u>VT0002007</u>	Travel wheel, Idle	G65	1
5	<u>VT0000730</u>	Travel wheel, Idle	G70	1
6	<u>VT1110D010</u>	End plate		1
7	<u>VT0000743</u>	Travel wheel, Driving	G50	1
7	<u>VT0000744</u>	Travel wheel, Driving	G55	1
7	<u>VT0000745</u>	Travel wheel, Driving	G60	1
7	<u>VT1110D011</u>	Travel wheel, Driving	G65	1
7	<u>VT0000746</u>	Travel wheel, Driving	G70	1
8	<u>VT0000735</u>	Wheel set, Driving	G50	1
8	<u>VT0000736</u>	Wheel set, Driving	G55	1
8	<u>VT0000737</u>	Wheel set, Driving	G60	1
8	<u>VT0000734</u>	Wheel set, Driving	G65	1
8	<u>VT0000738</u>	Wheel set, Driving	G70	1

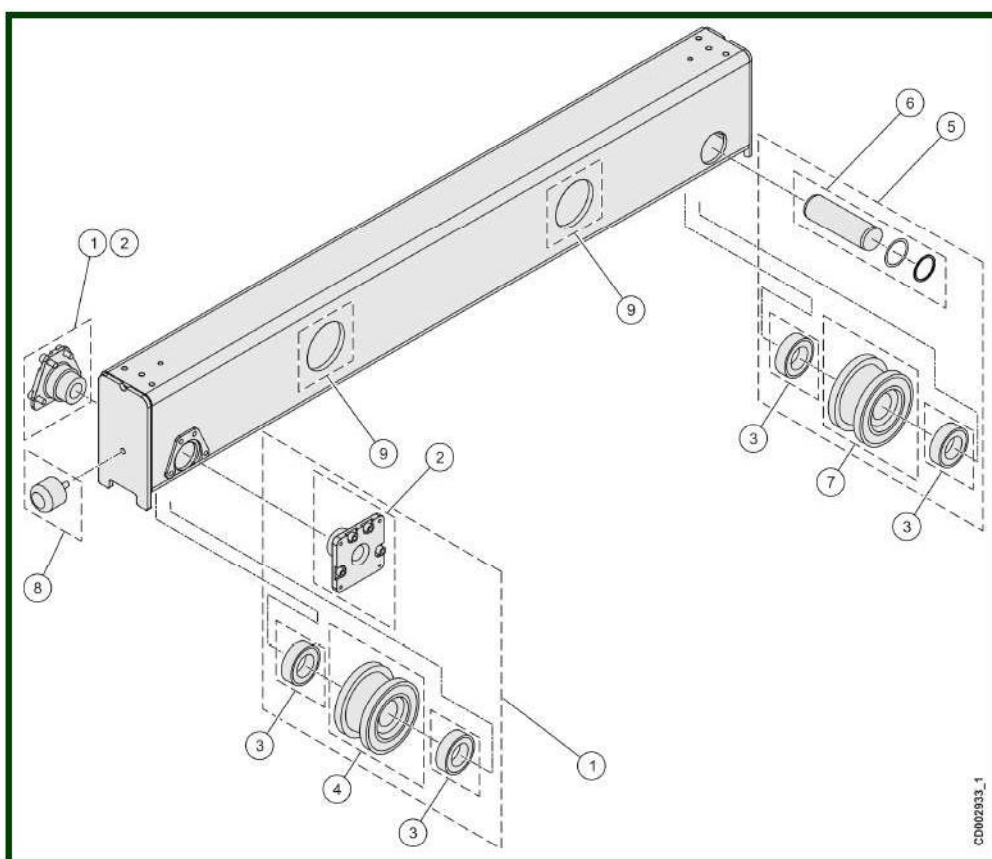
11.2) End carriage GT - Trolley H, M, MA, W - Rope reeving 02-04

A partir de / From H0315168



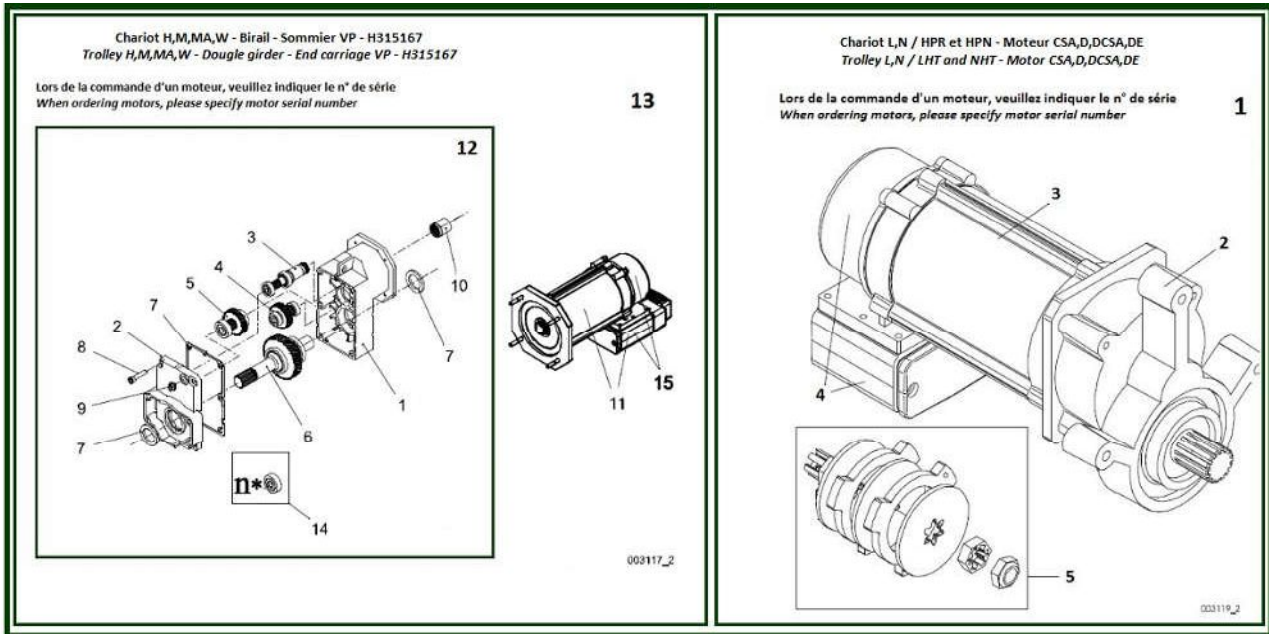
item	reference	description	observation	Quantity
2	VT0001338	Fixing set	A partir / From H0315168	2
3	VT0001572	Bearing set	H0315168	2
5	VT0001573	Wheel set; Idle	H0315168 - G50	1
5	VT0001574	Wheel set; Idle	H0315168 - G55	1
5	VT0001575	Wheel set; Idle	H0315168 - G60	1
5	VT0001576	Wheel set; Idle	H0315168 - G65	1
6	VT0001577	Sleeve set	H0315168	1
8	VT0001033	Buffer	80x68 - D2240 - B - Sommier / End carriage GT A partir / From H0315168	2
8	VT0000877	Buffer	Système de mouflage / Reeving system 02-04 D1801 - VT2 & VT3- A partir / From H0315168	2

11.3) End carriage GTR-GTL-GTN



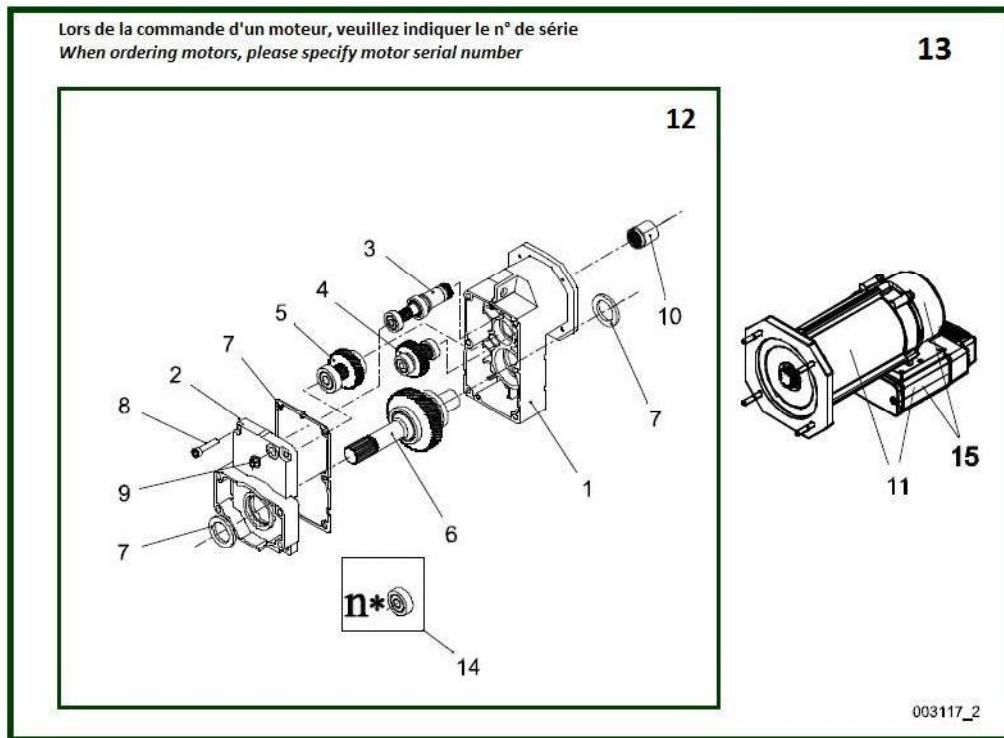
item	reference	description	observation	Quantity
1	VT0003909	Wheel set; Driving	G70	1
2	VT0005003	Bearing housing		1
4	VT0003791	Travel wheel; Driving	G50	1
4	VT0003792	Travel wheel; Driving	G55	1
4	VT0003793	Travel wheel; Driving	G60	1
4	VT0003795	Travel wheel; Driving	G70	1
5	VT0003910	Wheel set; Idle	G70	1
6	VT0003796	Shaft set		1
7	VT0003794	Travel wheel; Idle	G50	1
7	VT0003787	Travel wheel; Idle	G55	1
7	VT0003788	Travel wheel; Idle	G60	1
7	VT0003789	Travel wheel; Idle	G65	1
7	VT0003790	Travel wheel; Idle	G70	1
8	VT0001730	Buffer	100x85-12x30 - D2241 - C - Sommier / End carriage GT A partir / From H0315168	2
8	VT0004003	Polyurethane buffer	80x80	2
8	VT0001722	Polyurethane buffer	100x100-12x40 E - Sommier / End carriage GT	2
8	VT0001723	Polyurethane buffer	100x150-12x40 E - Sommier / End carriage GT	2

12) Travelling machinery



12.1) H,M,MA,W Trolley / Double girder with end truck VP - H315167

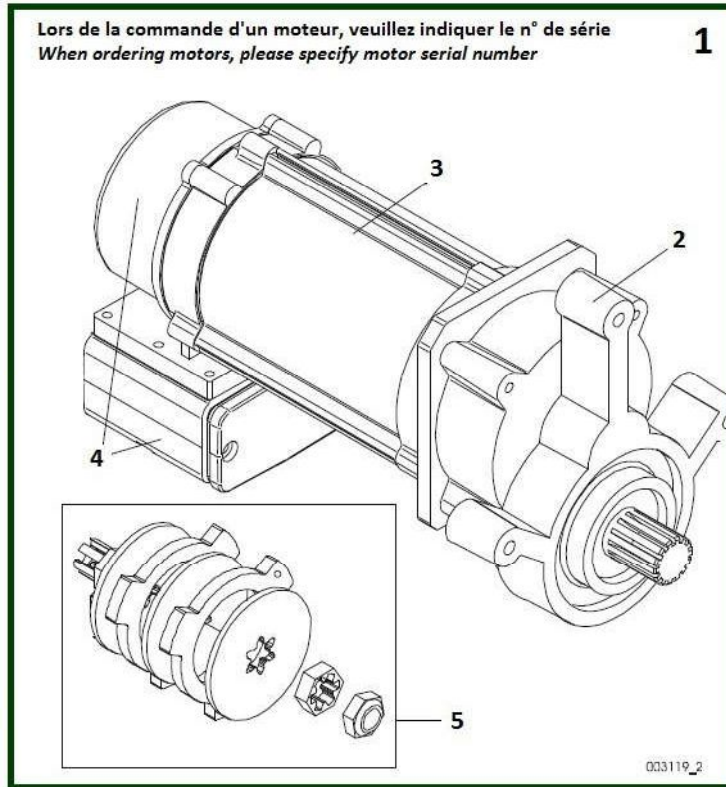
Avant / Before 2002



item	reference	description	observation	Quantity
1	VT1112D001	Gear housing		1
2	VT1112D002	Gear box		1
3	VT1312D001	Shaft assembly	GS240-363/GS340-363/GS440-450, without flywheel	1
4	VT1312D002	Shaft assembly	GS240/340/440	1
5	VT1312D003	Gear axle	GS240/340/440	1
6	VT0000081	Shaft assembly	GS240-GS263, secondary shaft D	1
7	VT1112D003	Sealings set		1
8	VT1112D004	Screw	DIN912-M8X50-A3G	1
9	VT1112D005	Oil window		1
10	VT11030001	Coupling sleeve		1
11	NC MOT	Motor	Lors de la commande d'un moteur, veuillez indiquer le n° de série When ordering motors, please specify motor serial number	1
12	VT1312D004	Gear reducer	GS240 RPD	1
13	VT1412D301	Travelling machinery	3000 tr/min - GS240RF06MA200PD	1
13	VT1412D461	Travelling machinery	4680 tr/min - GS240RF06MA100PD	1
14	VT0000423	Bearing set	(VT0000438)	1
15	VT0000728	Junction box	MF06	1

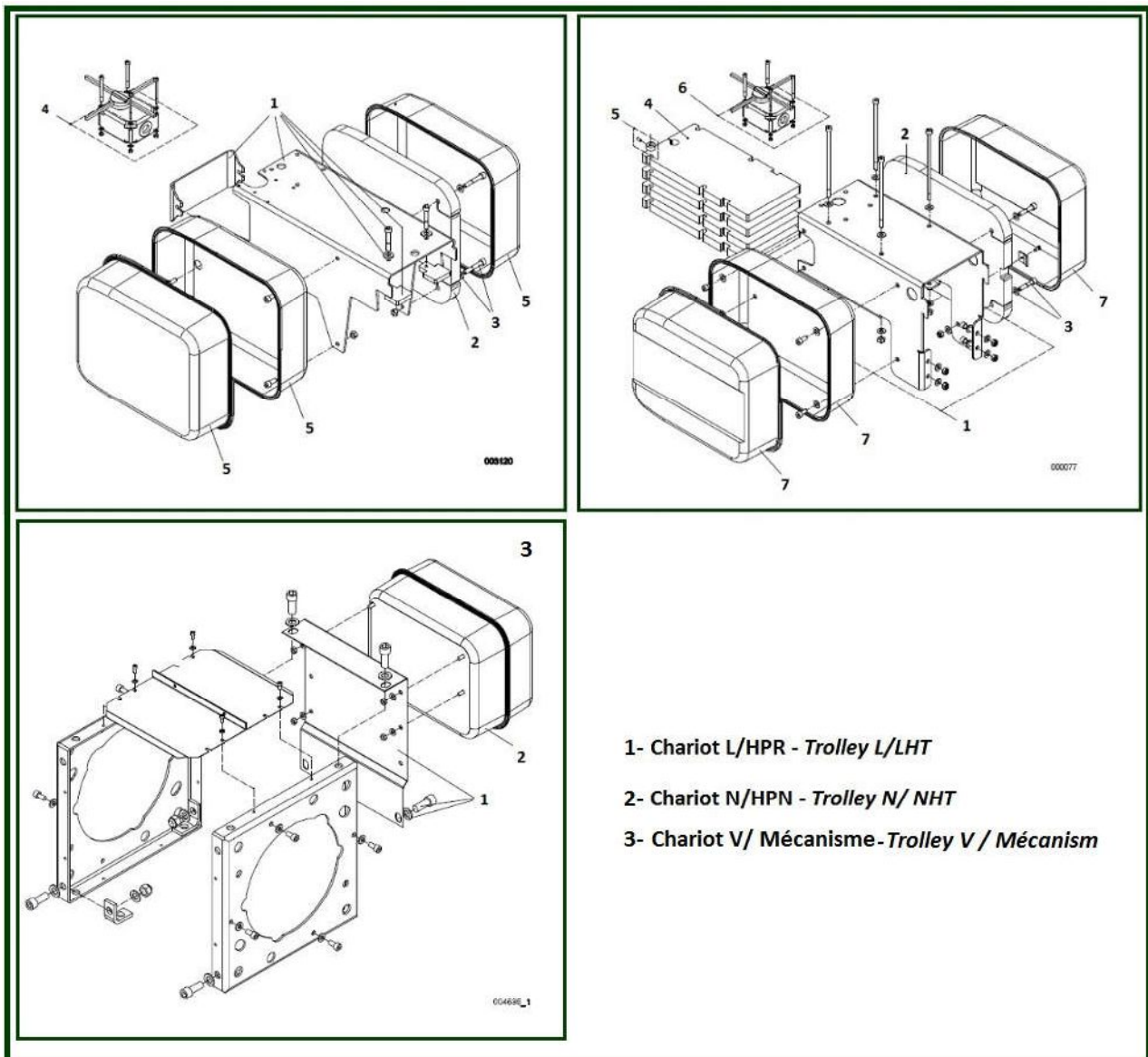
12.2) CSA,D,DCSA,DE Motor - J,L,N Trolley/ LHT and NHT

Depuis / From H315168

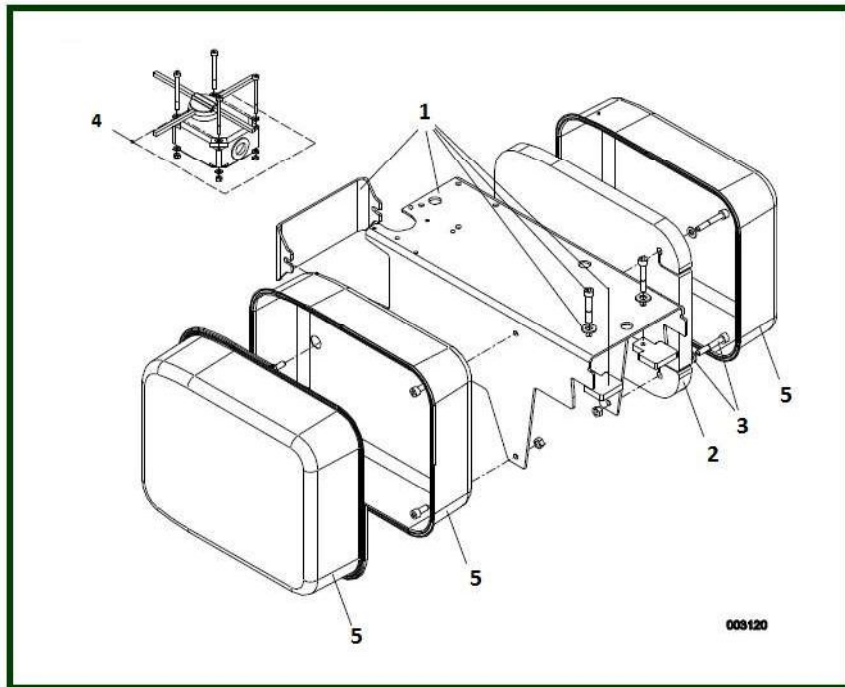


item	reference	description	observation	Quantity
1	VT1412LN21	Travelling machinery	20 m/mn	1
1	VT1412LN31	Travelling machinery	25-32 m / mn	1
2	VT1112LN01	Gear	Chariot / Trolley J,L,N - GEK1	1
3	NC MOT	Motor	Lors de la commande d'un moteur, veuillez indiquer le n° de série When ordering motors, please specify motor serial number	1
4	VT0000728	Junction box	MF06	1
4	VT0001563	Motor cover		1
4	VT0001564	Terminal box	GES/MF07X	1
4	VT0003186	Terminal box	MF06	1
-	VT0001548	Brake repairing set	MF 06	1

13) Electric panel

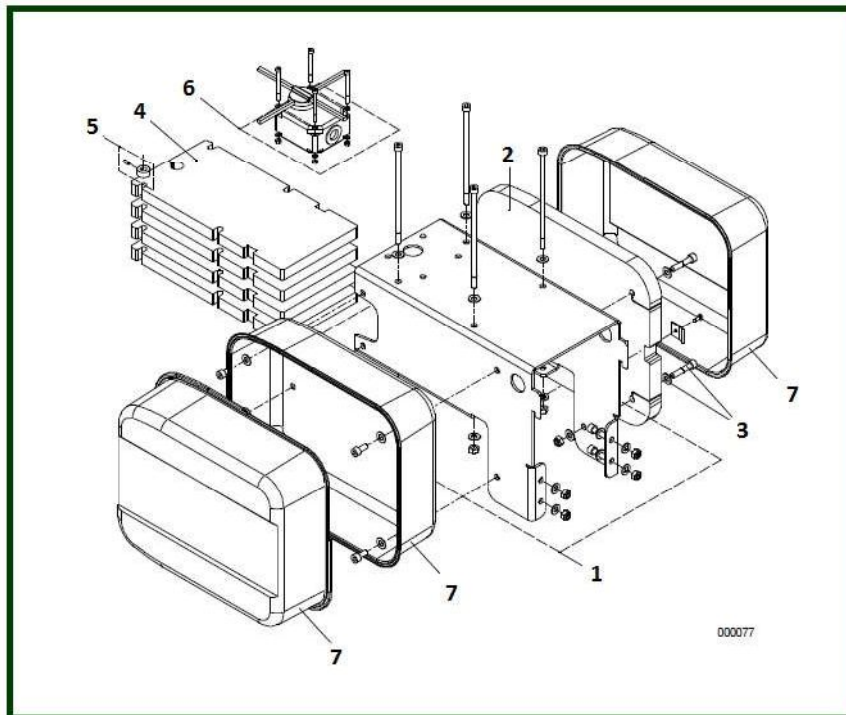


13.1) L Trolley / LHT



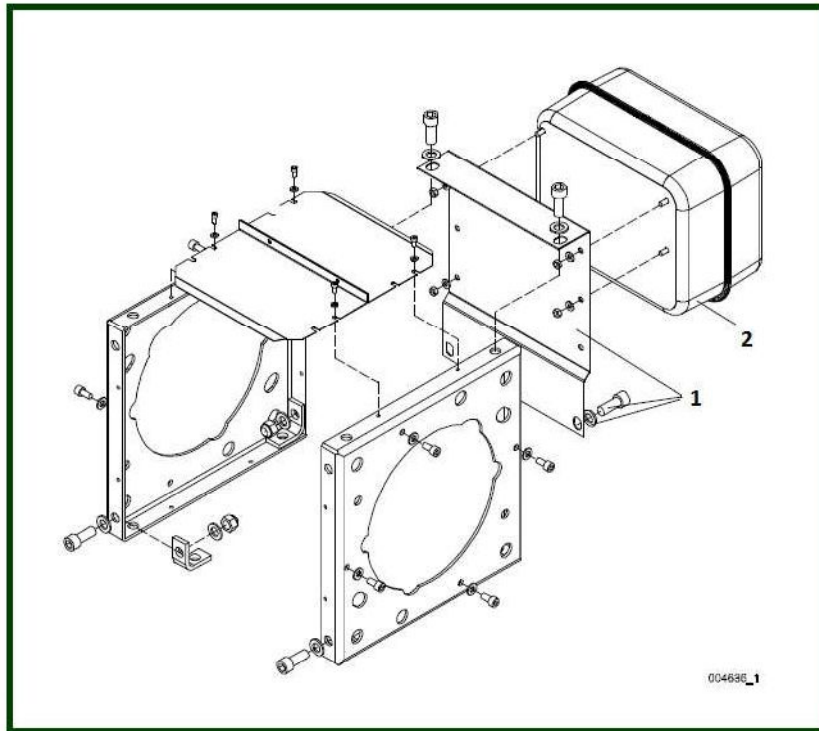
item	reference	description	observation	Quantity
1	<u>VT0000381</u>	Support piece	SP-QA-L-R/V	1
2	<u>VT0000231</u>	Counterweight	220V 230V, 490V 690V-007F/022F-T2-T	1
2	<u>VT0000230</u>	Counterweight	HPR - 380V 480V-007F-T2-P	1
3	<u>VT0000714</u>	Screw set		1
4	<u>VT0000160</u>	Limit switch	2 seuils / 2 steps	1
4	<u>VT1413L002</u>	Limit switch	HPN - 1 seuil / 1 step	1

13.2) N Trolley / NHT



item	reference	description	observation	Quantity
1	VT0000712	Support		1
2	VT0000230	Counterweight	HPR - 380V 480V-007F-T2-P	1
3	VT0000715	Screw set		1
4	VT0001861	Counterweight		1
5	VT0000718	Locking set		1
6	VT0000160	Limit switch	2 seuils / 2 steps	1
6	VT1413L002	Limit switch	HPN - 1 seuil / 1 step	1

13.3) V Trolley / Machinery



item	reference	description	observation	Quantity
1	VT0000903	Support	Longueur tambour / Hoist drum length A	1
1	VT0000904	Support	Longueur tambour / Hoist drum length C	1