

## **Spare parts catalog for "VT3"**

To avoid errors, when ordering please specify:

- Complete type of hoist
- Date of manufacture and serial number
- Spare part code
- Spare part designation
- Additional information



### **1) FRAME**

1.1) Trolley F.H.M.MA.MB.N.W - Rope reeving code 02,04 - Old

1.2) Trolley F.H.M.MA.MB.N.W - Reeving system 02,04 - New

1.3) Old - Trolley L

1.4) Trolley L - New

1.5) Trolley type F-H-M-MA-MB-N-W - Reeving system 06-08-20-22-24-26-28

1.6) Trolley type V

### **2) ROPE DRUM**

2.1) Rope reeving code : 01,02,04,06,08,M1,M2

2.2) Rope reeving code : 20,22,24,26,28

2.3) Precut rope

### **3) GEAR**

### **4) MOTOR**

4.1) Hoist motor type P & T - Hoist motor size : 4-5

4.2) Hoist motor type P & T - Hoist motor size : 6

4.3) Hoist motor type P & T - Hoist motor size : 7

4.4) Hoist motor type E - Hoist motor size 1-2

4.5) Hoist motor type E - Hoist motor size 4-6

### **5) REEVING DEVICE**

5.1) Rope reeving code : 02 & 04

5.2) Rope reeving code : 06 & 08

5.3) Rope reeving code : 22-24-26-28

### **6) OVERLOAD DEVICE - BEFORE 2011**

6.1) Mechanical limit switch - Mechanical limit switch & Hoist power measurement - Reeving system 02 & 04

6.2) Mechanical limit switch - Mechanical limit switch & Hoist power measurement - Reeving system 06 & 08

6.3) Mechanical limit switch - Mechanical limit switch & Hoist power measurement - Reeving system 22-24-26 & 28

6.4) Strain gauge - Rope reeving code 02 & 04

6.5) Strain gauge - Rope reeving code 06 & 08

6.6) Strain gauge - Rope reeving 22-24-26-28

6.7) Hoist power measurement - Rope reeving code 02 & 04

6.8) Hoist power measurement - Rope reeving code 06 & 08

6.9) Hoist power measurement - Rope reeving code 22-24-26-28

6.10) Ex-proof hoist type - Mechanical limit switch and hoist power measurement - Reeving system 02 & 04

6.11) Ex-proof hoist type ADF EN18-EN19.CSA - Mechanical limit switch and hoist power measurement - Reeving system 06 & 08

### **7) OVERLOAD DEVICE - AFTER 2011**

7.1) Mechanical limit switch - Mechanical limit switch and Hoist power measurement - Reeving system 02 & 04

7.2) Mechanical limit switch - Reeving system 06 & 08

### **8) HOOK - ROPE REEVING 04**

8.1) Less than or equal 10.000 Kg

8.2) Greater than 10.000 Kg

### **9) HOOK - BEFORE 2011**

9.1) RSN hook - To H0206303

### **10) HOOK - NEW MODEL**

10.1) Reeving system 06

10.2) Reeving system 08

10.3) Reeving system 22

10.4) Reeving system 24

10.5) Reeving system 26

10.6) Reeving system 28

### **11) HOISTING LIMIT SWITCH**

11.1) Hoisting limit switch

11.2) Hazardous areas C1D2 - ZONE 1 - ZONE 2

### **12) HOOK OPERATED LIMIT SWITCH**

12.1) Trolley type L - Before 2011

12.2) Trolley type F-H-M-MA-MB-N-W - Before 2011

12.3) New model - After 2011

### **13) TROLLEY TYPE H-M-MA-W**

13.1) End carriage - To H0315167

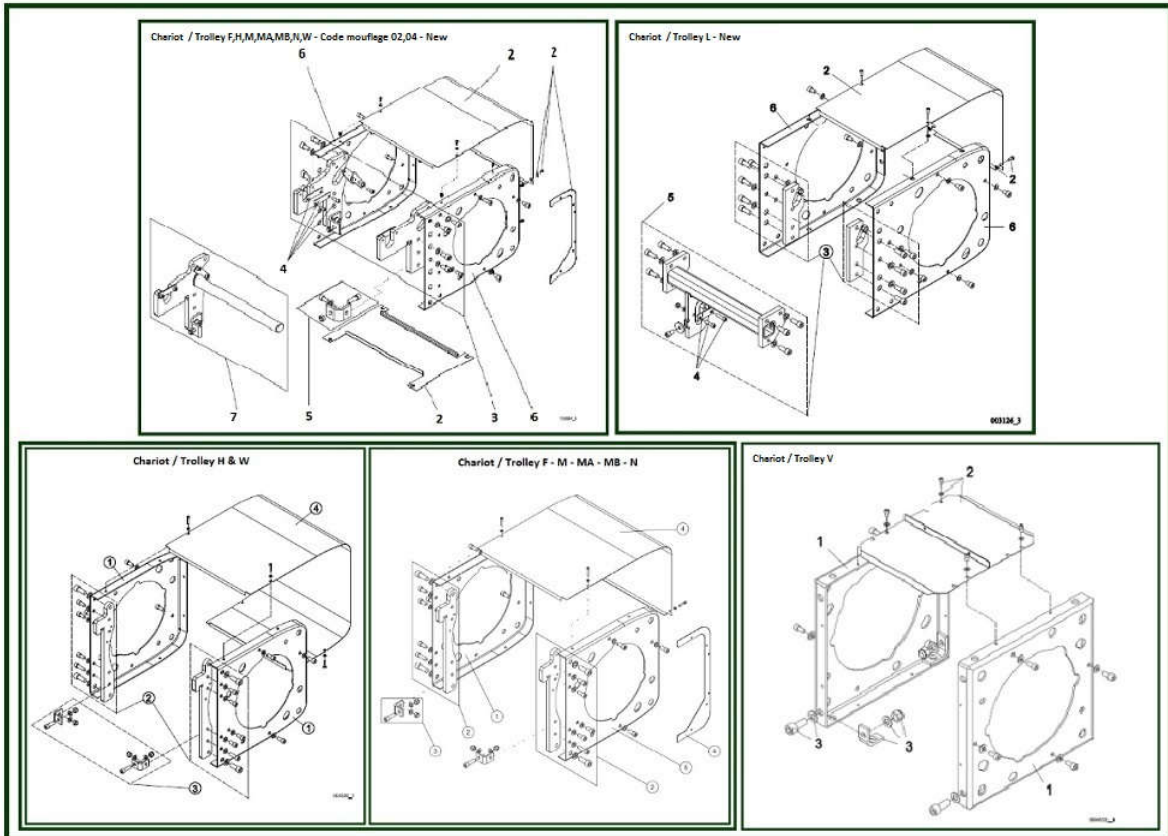
13.2) End carriage EB-EC

13.3) End carriage EB-EC-ECN

13.4) End carriage EC

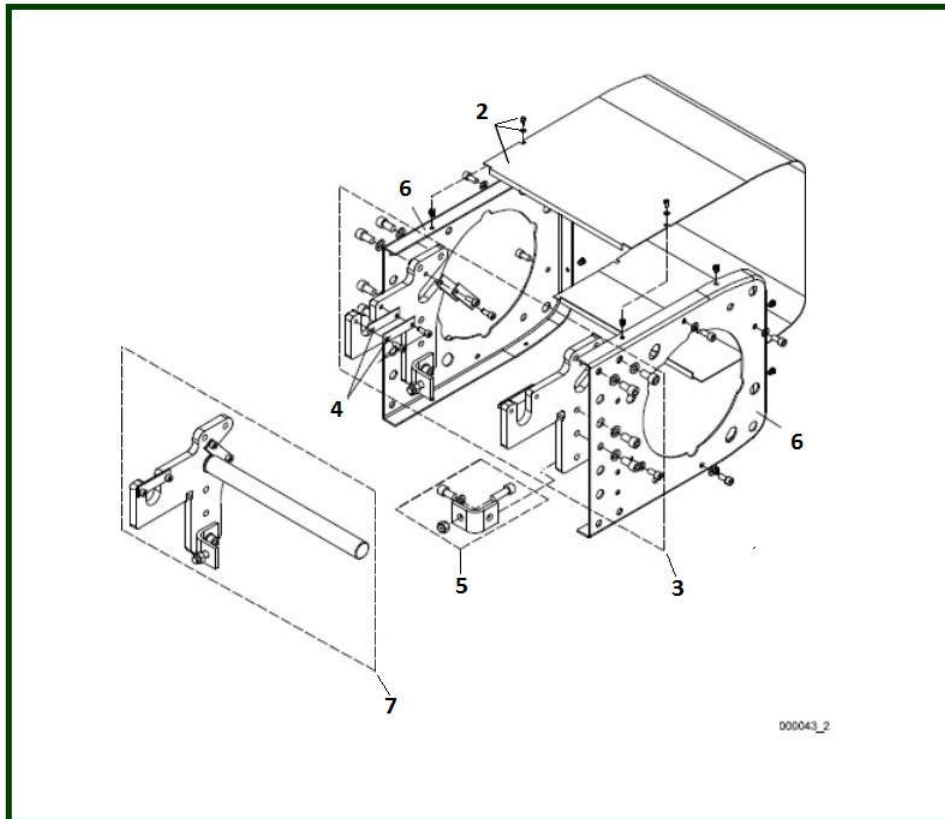
### **14) TROLLEY TYPE L**

# 1) Frame



## 1.1) Trolley F,H,M,MA,MB,N,W - Rope reeving code 02,04 - Old

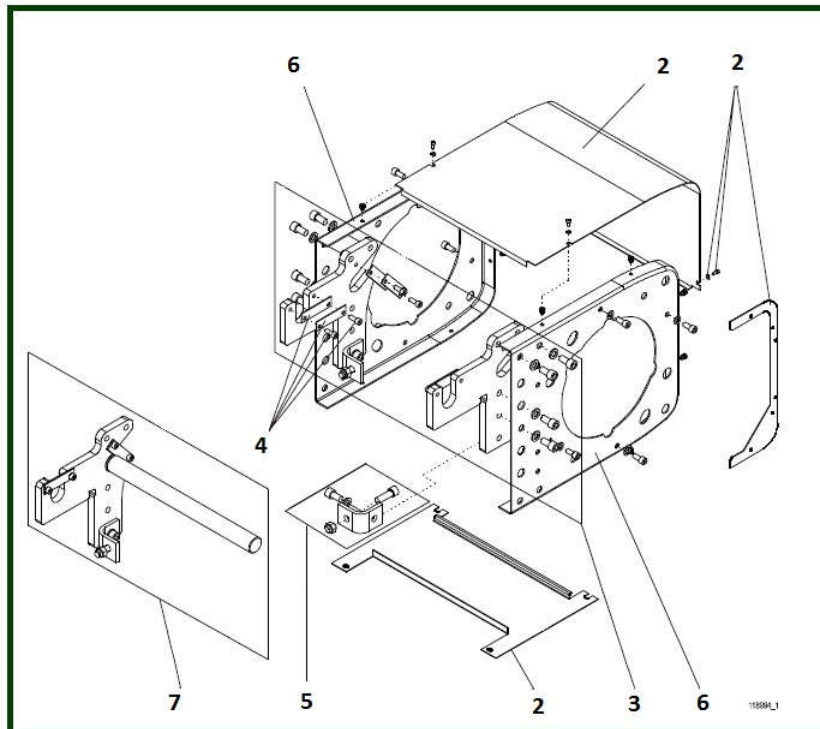
Old - Avant janvier 2011 / Before january 2011



item	reference	description	observation	Quantity
2	<u>VT0003284</u>	Cover set	Longueur tambour / Hoist drum length D - (VT0000347-VT0000720 & VT0000350)	1
2	<u>VT0003285</u>	Cover set	Longueur tambour / Hoist drum length E - (VT0000349-VT0000721 & VT0000351)	1
2	<u>VT0003281</u>	Cover set	Longueur tambour / Hoist drum length G - (VT0000656-VT0003281)	1
3	<u>VT0000236</u>	Support	(VT0000402)	1
4	<u>VT0000237</u>	Fixing set		2
5	<u>VT0000238</u>	Fastener		2
6	<u>VT0004700</u>	End plate	Reeving system 02,04	2
7	<u>VT0000653</u>	Support	Code mouflage/Rope reeving code 02 Longueur tambour / Hoist drum length E,F,G	1

## **1.2) Trolley F,H,M,MA,MB,N,W - Reeving system 02,04 - New**

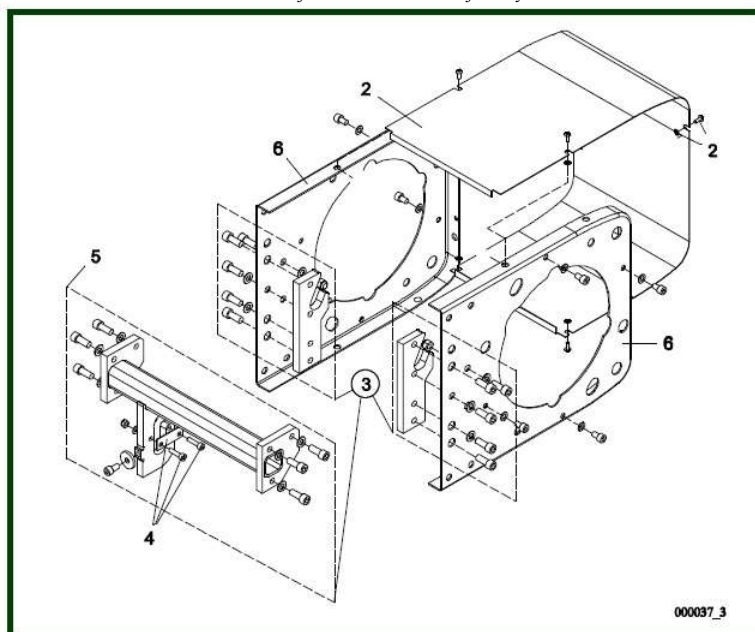
New - A partir de janvier 2011 / Since January 2011



item	reference	description	observation	Quantity
2	<a href="#">VT0000347</a>	Cover set	Longueur tambour / Hoist drum length D (VT0003284-VT0000720-VT0000350)	1
2	<a href="#">VT0000349</a>	Cover set	Longueur tambour / Hoist drum length E (VT0003285-VT0000721-VT0000351)	1
2	<a href="#">VT0000655</a>	Cover set	Longueur tambour / Hoist drum length F (VT0003280-VT0000722)	1
2	<a href="#">VT0000656</a>	Cover set	Longueur tambour / Hoist drum length G (VT0003281-VT0000723)	1
2	<a href="#">VT0004684</a>	Cover set	Longueur tambour / Hoist drum length H	1
2	<a href="#">VT0004686</a>	Cover set	Longueur tambour / Hoist drum length J	1
2	<a href="#">VT0004685</a>	Cover set	Longueur tambour / Hoist drum length Z	1
3	<a href="#">VT0000236</a>	Support	(VT0000402)	1
4	<a href="#">VT0000237</a>	Fixing set		2
5	<a href="#">VT0000238</a>	Fastener		2
6	<a href="#">VT0000868</a>	End plate		2
6	<a href="#">VT0004700</a>	End plate	Reeving system 02,04	2
7	<a href="#">VT0000653</a>	Support	Code mouflage/Rope reeving code 02 Longueur tambour / Hoist drum length E,F,G	1

## 1.3) Old - Trolley L

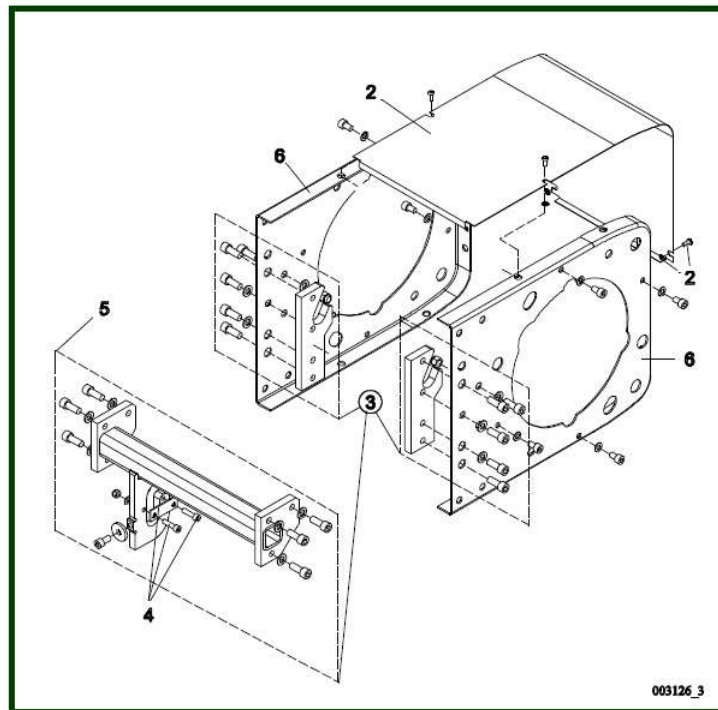
Old - Avant janvier 2011 / Before january 2011



item	reference	description	observation	Quantity
2	<a href="#">VT0003284</a>	Cover set	Longueur tambour / Hoist drum length D - (VT0000347-VT0000720 & VT0000350)	1
2	<a href="#">VT0003285</a>	Cover set	Longueur tambour / Hoist drum length E - (VT0000349-VT0000721 & VT0000351)	1
2	<a href="#">VT0003281</a>	Cover set	Longueur tambour / Hoist drum length G - (VT0000656-VT0003281)	1
2	<a href="#">VT0003282</a>	Cover set	Longueur tambour / Hoist drum length H - (VT0000724-VT0003282)	1
2	<a href="#">VT0003283</a>	Cover set	Longueur tambour / Hoist drum length J - (VT0000725)	1
3	<a href="#">VT0000243</a>	Fixing set	Longueur tambour / Hoist drum length D	1
3	<a href="#">VT0001985</a>	Fixing set	Longueur tambour / Hoist drum length E	2
3	<a href="#">VT0000244</a>	Fixing set	Longueur tambour / Hoist drum length F	1
4	<a href="#">VT0000869</a>	Fixing set	Longueur tambour / Hoist drum length E,F Code mouflage / Rope reeving code : 04	1
5	<a href="#">VT0001986</a>	Fixing set	Longueur tambour / Hoist drum length E	1
5	<a href="#">VT0000658</a>	Fixing set	Longueur tambour / Hoist drum length F	1
6	<a href="#">VT0004700</a>	End plate	Reeving system 02,04	2

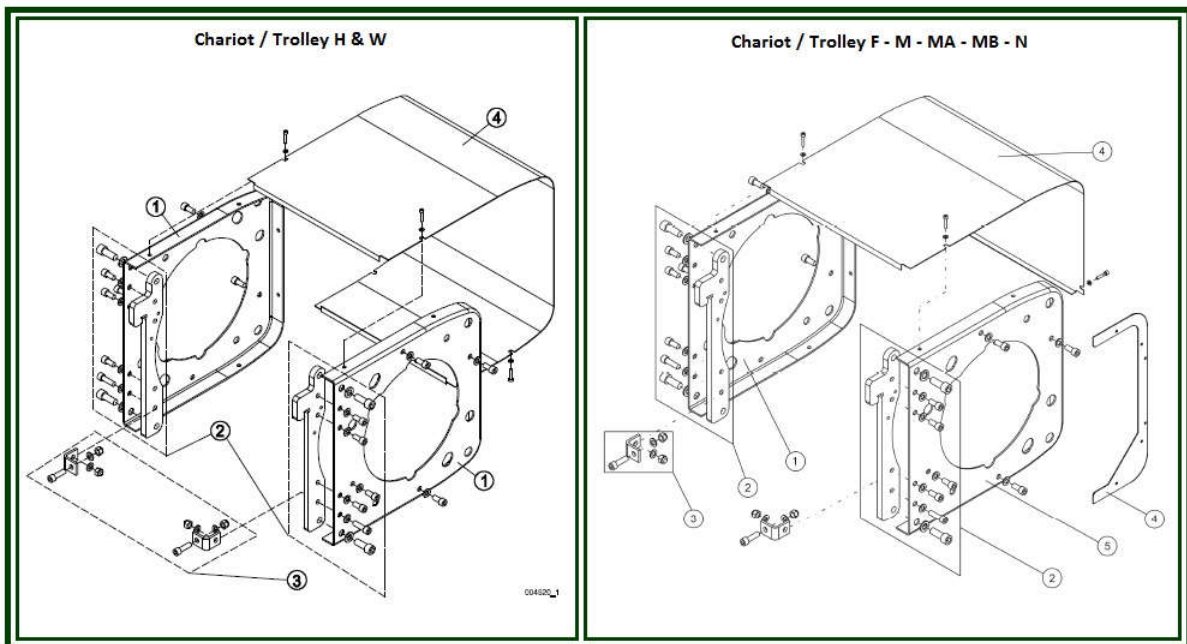
## 1.4) Trolley L - New

New - A partir de janvier 2011 / Since January 2011



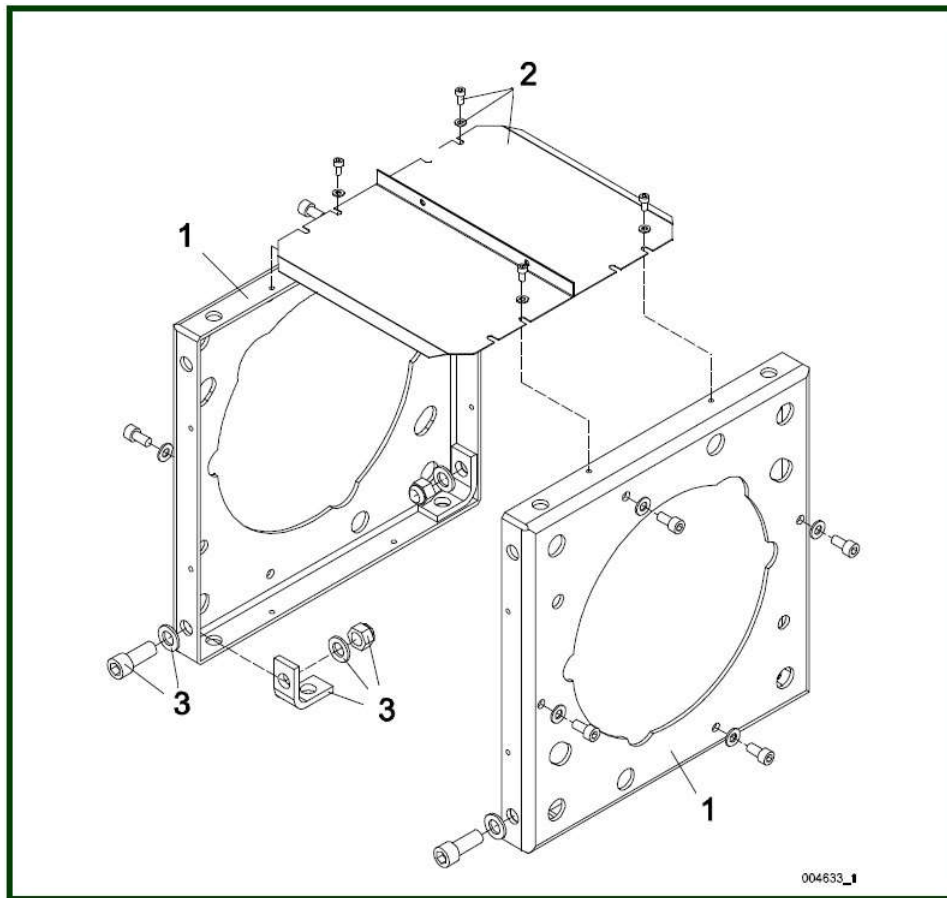
item	reference	description	observation	Quantity
2	<a href="#">VT0000347</a>	Cover set	Longueur tambour / Hoist drum length D (VT0003284-VT0000720-VT0000350)	1
2	<a href="#">VT0000349</a>	Cover set	Longueur tambour / Hoist drum length E (VT0003285-VT0000721-VT0000351)	1
2	<a href="#">VT0000655</a>	Cover set	Longueur tambour / Hoist drum length F (VT0003280-VT0000722)	1
3	<a href="#">VT0000243</a>	Fixing set	Longueur tambour / Hoist drum length D	1
3	<a href="#">VT0001985</a>	Fixing set	Longueur tambour / Hoist drum length E	1
3	<a href="#">VT0000244</a>	Fixing set	Longueur tambour / Hoist drum length F	1
4	<a href="#">VT0000869</a>	Fixing set	Longueur tambour / Hoist drum length E,F Code mouflage / Rope reeving code : 04	1
5	<a href="#">VT0001986</a>	Fixing set	Longueur tambour / Hoist drum length E	1
5	<a href="#">VT0000658</a>	Fixing set	Longueur tambour / Hoist drum length F	1
6	<a href="#">VT0000868</a>	End plate		2

## 1.5) Trolley type F-H-M-MA-MB-N-W - Reeving system 06-08-20-22-24-26-28



item	reference	description	observation	Quantity
1	<a href="#">VT0005073</a>	Side plate	Chariot / Trolley F-M-MA-MB-N	2
1	<a href="#">VT0000719</a>	Side plate	Chariot / Trolley H-W	2
2	<a href="#">VT0000696</a>	Support		1
3	<a href="#">VT0000699</a>	Support		2
4	<a href="#">VT0000347</a>	Cover set	Longueur tambour / Hoist drum length D (VT0003284-VT0000720-VT0000350)	1
4	<a href="#">VT0000349</a>	Cover set	Longueur tambour / Hoist drum length E (VT0003285-VT0000721-VT0000351)	1
4	<a href="#">VT0000655</a>	Cover set	Longueur tambour / Hoist drum length F (VT0003280-VT0000722)	1
4	<a href="#">VT0000656</a>	Cover set	Longueur tambour / Hoist drum length G (VT0003281-VT0000723)	1
4	<a href="#">VT0000724</a>	Cover set	Longueur tambour / Hoist drum length H	1
4	<a href="#">VT0000725</a>	Cover set	Longueur tambour / Hoist drum length J	1

## 1.6) Trolley type V

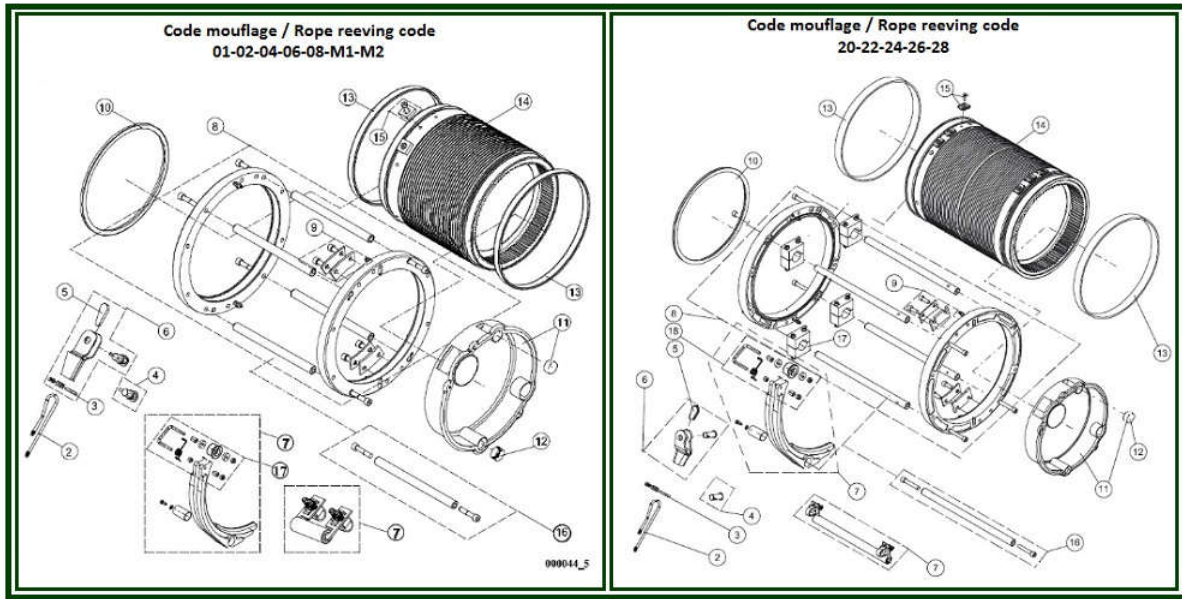


004633\_1

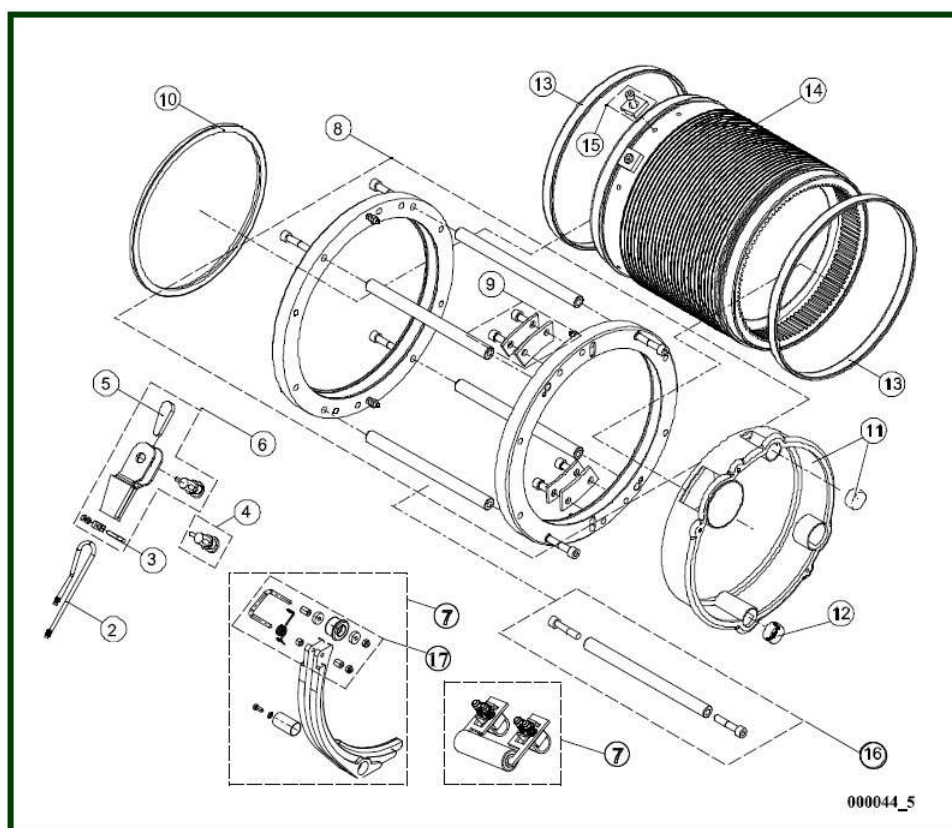
item	reference	description	observation	Quantity
1	<a href="#">VT0000914</a>	End plate		2
2	<a href="#">VT0000915</a>	Cover plate	Longueur tambour / Hoist drum length D	4
2	<a href="#">VT0000916</a>	Cover plate	Longueur tambour / Hoist drum length E	4
2	<a href="#">VT0000917</a>	Cover plate	Longueur tambour / Hoist drum length F	4
2	<a href="#">VT0000918</a>	Cover plate	Longueur tambour / Hoist drum length G	4
3	<a href="#">VT0000919</a>	Fixing set		1



## 2) Rope drum



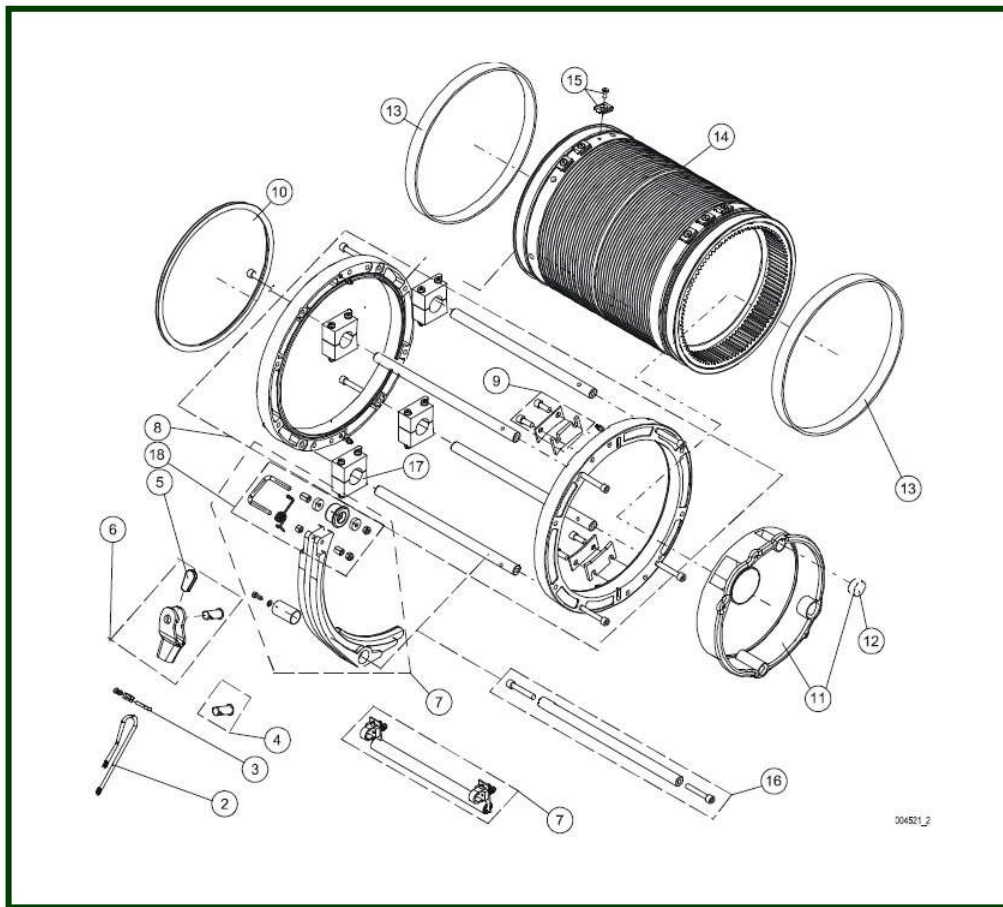
## 2.1) Rope reeving code : 01,02,04,06,08,M1,M2



item	reference	description	observation	Quantity
2	<a href="#">VT0001697</a>	Wire rope - Ø 11mm Left 24x7	Mouflage/Rope reeving M1-Chariot/Trolley V- Mouflage/Rope reeving 02-Tambour/Hoist drum F-Chariot/Trolley L Mouflage/Rope reeving 02-Tambour/Hoist drum F,G-Chariot/trolley A,B,F,H,M,N,W Tambour/Hoist drum D,E,F,G -Chariot/Trolley V	1
2	<a href="#">VT0000247</a>	Wire rope - Ø 11mm Left	Tambour/Hoist drum D-E-Chariot/Trolley L Mouflage/Rope reeving 04-Tambour/Hoist drum F-Chariot/Trolley L Tambour/Hoist drum D,E-Chariot/Trolley A,B,F,H,M,N,W Mouflage/Rope reeving 04,06,08-Tambour/Hoist drum F,G-Chariot/Trolley A,B,F,H,M,N,W	1
3	<a href="#">VT0000248</a>	Rope clamp		1
4	<a href="#">VT0000249</a>	Shaft set		1
5	<a href="#">VT0000250</a>	Rope wedge		1
6	<a href="#">VT0000251</a>	Complete wedge housing		1
7	<a href="#">VT0000513</a>	Pressure roller-Trolley type V	Longueur tambour/Hoist drum length D Code mouflage/Rope reeving code M1	1
7	<a href="#">VT0000517</a>	Pressure roller-Trolley type V	Longueur tambour/Hoist drum length D Code mouflage/Rope reeving code M2	1
7	<a href="#">VT0000514</a>	Pressure roller-Trolley type V	Longueur tambour/Hoist drum length E Code mouflage/Rope reeving code M1	1
7	<a href="#">VT0000518</a>	Pressure roller-Trolley type V	Longueur tambour/Hoist drum length E Code mouflage/Rope reeving code M2	1
7	<a href="#">VT0000515</a>	Pressure roller-Trolley type V	Longueur tambour/Hoist drum length F Code mouflage/Rope reeving code M1	1
7	<a href="#">VT0000519</a>	Pressure roller-Trolley type V	Longueur tambour/Hoist drum length F Code mouflage/Rope reeving code M2	1
7	<a href="#">VT0000516</a>	Pressure roller-Trolley type V	Longueur tambour/Hoist drum length G Code mouflage/Rope reeving code M1	1
7	<a href="#">VT0000520</a>	Pressure roller-Trolley type V	Longueur tambour/Hoist drum length G Code mouflage/Rope reeving code M2	1
7	<a href="#">VT0000252</a>	Rope guide	Type de chariot / Trolley type A-B-F-H-L-M-N-W	1
8	<a href="#">VT0000253</a>	Frame	Longueur tambour / Hoist drum length D	1
8	<a href="#">VT0000254</a>	Frame	Longueur tambour / Hoist drum length E	1
8	<a href="#">VT0000521</a>	Frame	Longueur tambour / Hoist drum length F	1
8	<a href="#">VT0000522</a>	Frame	Longueur tambour / Hoist drum length G	1
9	<a href="#">VT0000255</a>	Fixing set		1

10	<u>VT0000256</u>	Sealing		1
11	<u>VT0000523</u>	Cover set	(VT0000257)	1
12	<u>VT11020008</u>	Capsule		1
13	<u>VT0000524</u>	Bearing	(VT0000258)	1
14	<u>VT0000259</u>	Rope drum	Longueur tambour / Hoist drum length D Code mouflage/Rope reeving code 02,04,06,08,A2,A4,M1	1
14	<u>VT0000527</u>	Rope drum	Longueur tambour / Hoist drum length D Code mouflage/Rope reeving code M2	1
14	<u>VT0000260</u>	Rope drum	Longueur tambour / Hoist drum length E Code mouflage/Rope reeving code 02,04,06,08,A2,A4,M1	1
14	<u>VT0000528</u>	Rope drum	Longueur tambour / Hoist drum length E Code mouflage/Rope reeving code M2	1
14	<u>VT0000529</u>	Rope drum	Longueur tambour / Hoist drum length F1: Rope reeving code/Code mouflage M2	1
14	<u>VT0000525</u>	Rope drum	Longueur tambour / Hoist drum length F1 Code mouflage/Rope reeving code 02,04,06,08,A2,A4,M1	1
14	<u>VT0000526</u>	Rope drum	Longueur tambour / Hoist drum length G Code mouflage/Rope reeving code 02,04,06,08,A2,A4,M1	1
14	<u>VT0000530</u>	Rope drum	Longueur tambour / Hoist drum length G Code mouflage/Rope reeving code M2	1
15	<u>VT0000261</u>	Rope drum	Code mouflage/Rope reeving code 02,04,06,08,A2,A4,M1 (VT0000531)	4
16	<u>VT0000431</u>	Shaft set	Longueur tambour / Hoist drum length D	1
16	<u>VT0000432</u>	Shaft set	Longueur tambour / Hoist drum length E	1
16	<u>VT0000543</u>	Shaft set	Longueur tambour / Hoist drum length F	1
16	<u>VT0000544</u>	Shaft set	Longueur tambour / Hoist drum length G	1

## 2.2) Rope reeving code : 20,22,24,26,28



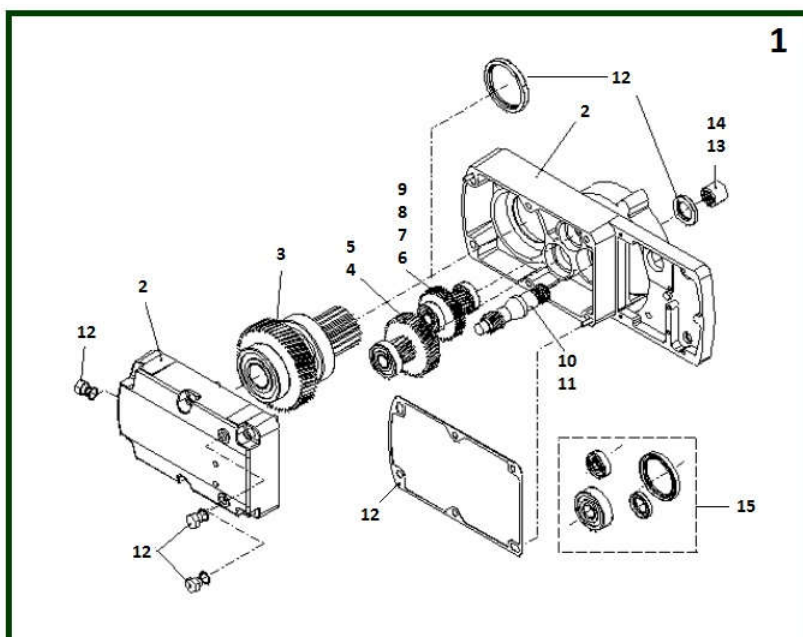
item	reference	description	observation	Quantity
2	<a href="#">VT0000855</a>	Wire rope - Ø 8 mm		1
2	<a href="#">VT0000021</a>	Wire rope - Ø 8 mm	Code mouflage / Rope reeving code 22-24 VT0003558	1
2	<a href="#">VT0002575</a>	Wire rope - Ø 8 mm	Code mouflage / Rope reeving code 26-28	1
2	<a href="#">VT0002576</a>	Wire rope - Ø 8 mm	Code mouflage / Rope reeving code 26-28 IWRC - Droit/Right Peut remplacer / Can replace VT0000855	1
3	<a href="#">VT0000856</a>	Rope clamp - Ø 8 mm	(VT0000022)	2
4	<a href="#">VT0000857</a>	Shaft set	VT0000810	2
5	<a href="#">VT0000025</a>	Rope wedge	Code mouflage / Rope reeving code 02,04,06,08,M1	2
6	<a href="#">VT0000858</a>	Complete wedge housing		1
7	<a href="#">VT0004348</a>	Right rope guide		1
7	<a href="#">VT0004349</a>	Right rope left		1
7	<a href="#">VT0001833</a>	Rope guide	Replaced by 52395822	2
8	<a href="#">VT0000253</a>	Frame	Longueur tambour / Hoist drum length D	1
8	<a href="#">VT0000254</a>	Frame	Longueur tambour / Hoist drum length E	1
8	<a href="#">VT0000521</a>	Frame	Longueur tambour / Hoist drum length F	1
8	<a href="#">VT0000522</a>	Frame	Longueur tambour / Hoist drum length G	1
8	<a href="#">VT0000865</a>	Frame	Longueur tambour / Hoist drum length H	1
8	<a href="#">VT0000866</a>	Frame	Longueur tambour / Hoist drum length J	1
9	<a href="#">VT0000255</a>	Fixing set		1
10	<a href="#">VT0000256</a>	Sealing		1
11	<a href="#">VT0000523</a>	Cover set	(VT0000257)	1
12	<a href="#">VT11020008</a>	Capsule		1
13	<a href="#">VT0000524</a>	Bearing	(VT0000258)	2
14	<a href="#">VT0001895</a>	Rope drum	Longueur tambour / Hoist drum length D	1
14	<a href="#">VT0001896</a>	Rope drum	Longueur tambour / Hoist drum length E	1
14	<a href="#">VT0001897</a>	Rope drum	Longueur tambour / Hoist drum length F	1
14	<a href="#">VT0001898</a>	Rope drum	Longueur tambour / Hoist drum length G	1

14	<u>VT0001899</u>	Rope drum	Longueur tambour / Hoist drum length H	1
14	<u>VT0001900</u>	Rope drum	Longueur tambour / Hoist drum length J	1
15	<u>VT0000038</u>	Rope clamb	Chariot / Trolley V	2
16	<u>VT0001901</u>	Shaft	Longueur tambour / Hoist drum length D	1
16	<u>VT0001902</u>	Shaft	Longueur tambour / Hoist drum length E	1
16	<u>VT0001903</u>	Shaft	Longueur tambour / Hoist drum length F	1
16	<u>VT0001904</u>	Shaft	Longueur tambour / Hoist drum length G	1
16	<u>VT0001905</u>	Shaft	Longueur tambour / Hoist drum length H	1
16	<u>VT0001906</u>	Shaft	Longueur tambour / Hoist drum length J	1
18	<u>VT0004099</u>	Wheel pressure of rope guide set		1
-	<u>VT0004135</u>	Support plate		1

## **2.3) Precut rope**

<b>item</b>	<b>reference</b>	<b>description</b>	<b>observation</b>	<b>Quantity</b>
	<u>53038265</u>	Precut wire rope - Ø 8mm Left - IWRC	31 m	1
	<u>53038277</u>	Precut wire rope - Ø 8mm Left - IWRC	35 m	1

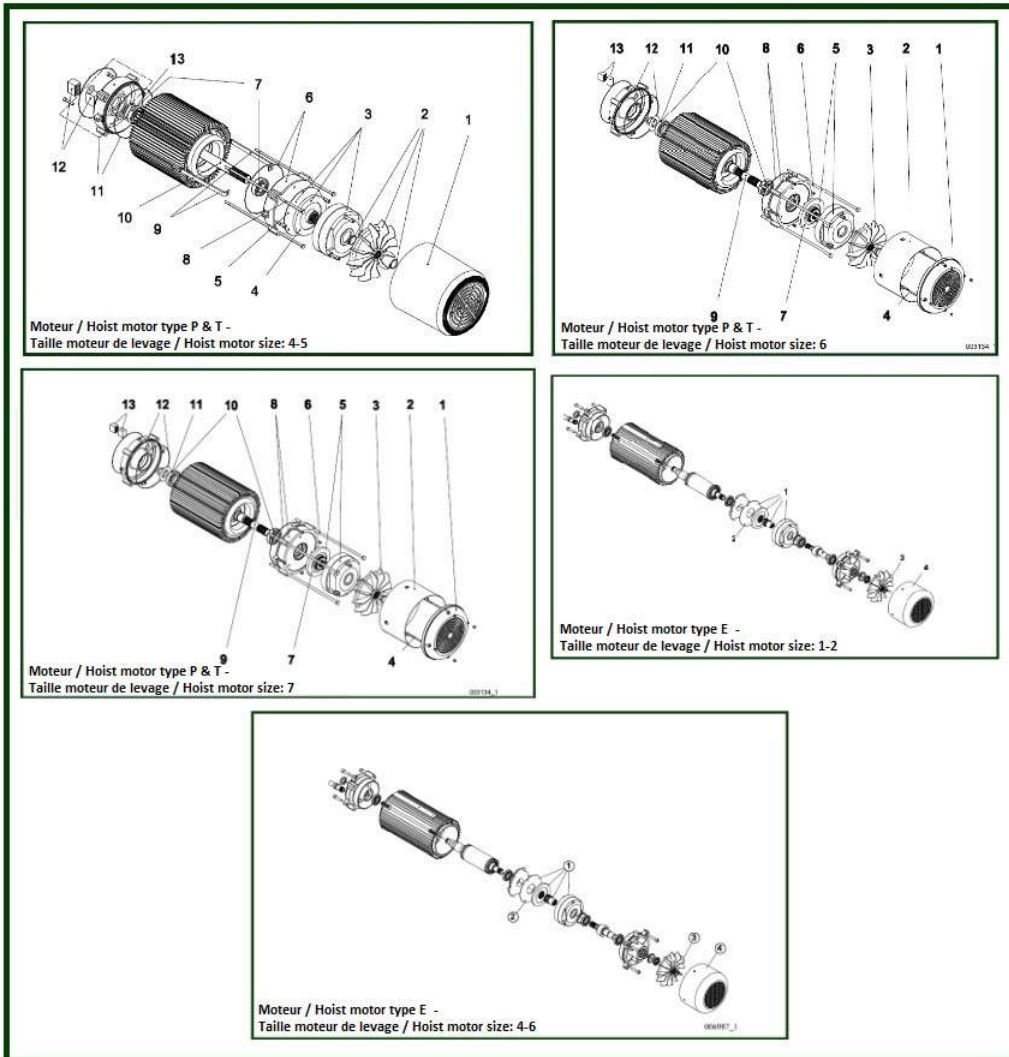
### 3) Gear



item	reference	description	observation	Quantity
1	<a href="#">VT0000601</a>	Gear	Type de réducteur / Hoisting gear type E	1
1	<a href="#">VT0000603</a>	Gear	Type de réducteur / Hoisting gear type F (VT0000352)	1
1	<a href="#">VT0000605</a>	Gear	Type de réducteur / Hoisting gear type H (VT0000353)	1
1	<a href="#">VT0000607</a>	Gear	Type de réducteur / Hoisting gear type J	1
2	<a href="#">VT0000354</a>	Gear housing	Type de réducteur / Hoisting gear type E-F	1
2	<a href="#">VT0000355</a>	Gear housing	Type de réducteur / Hoisting gear type H-J	1
3	<a href="#">VT0000356</a>	Shaft assembly	(VT0002545)	1
4	<a href="#">VT0000357</a>	Shaft assembly	Type de réducteur / Hoisting gear type E-H	1
5	<a href="#">VT0000358</a>	Shaft assembly	Type de réducteur / Hoisting gear type F-J	1
6	<a href="#">VT0000359</a>	Shaft assembly	Type de réducteur / Hoisting gear type E	1
7	<a href="#">VT0000360</a>	Shaft assembly	Type de réducteur / Hoisting gear type F	1
8	<a href="#">VT0000361</a>	Shaft assembly	Type de réducteur / Hoisting gear type H	1
9	<a href="#">VT0000362</a>	Shaft assembly	Type de réducteur / Hoisting gear type J	1
10	<a href="#">VT0000363</a>	Shaft assembly	Type de réducteur / Hoisting gear type E-F	1
11	<a href="#">VT0000364</a>	Shaft assembly	Type de réducteur / Hoisting gear type G-H	1
12	<a href="#">VT0000262</a>	Sealing set	Type de réducteur / Hoisting gear type E-F	1
12	<a href="#">VT0000263</a>	Sealing set	Type de réducteur / Hoisting gear type G-H	1
13	<a href="#">VT0000216</a>	Coupling	Type de réducteur / Hoisting gear type E-F	1
14	<a href="#">VT0000264</a>	Coupling		1
15	<a href="#">VT0000430</a>	Bearing set		1

## 4) Motor

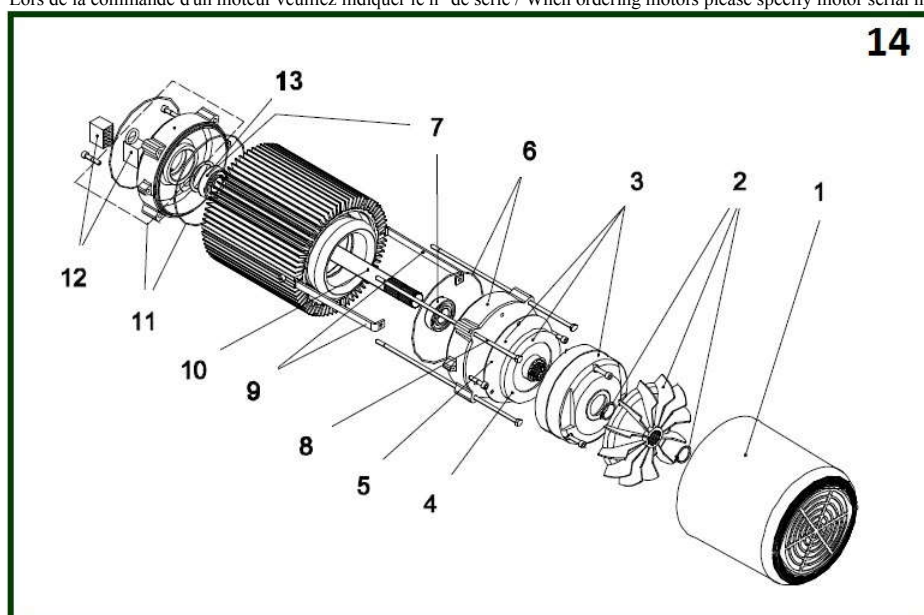
Lors de la commande d'un moteur veuillez indiquer le n° de série / When ordering motors please specify motor serial number





## 4.1) Hoist motor type P & T - Hoist motor size : 4-5

Lors de la commande d'un moteur veuillez indiquer le n° de série / When ordering motors please specify motor serial number

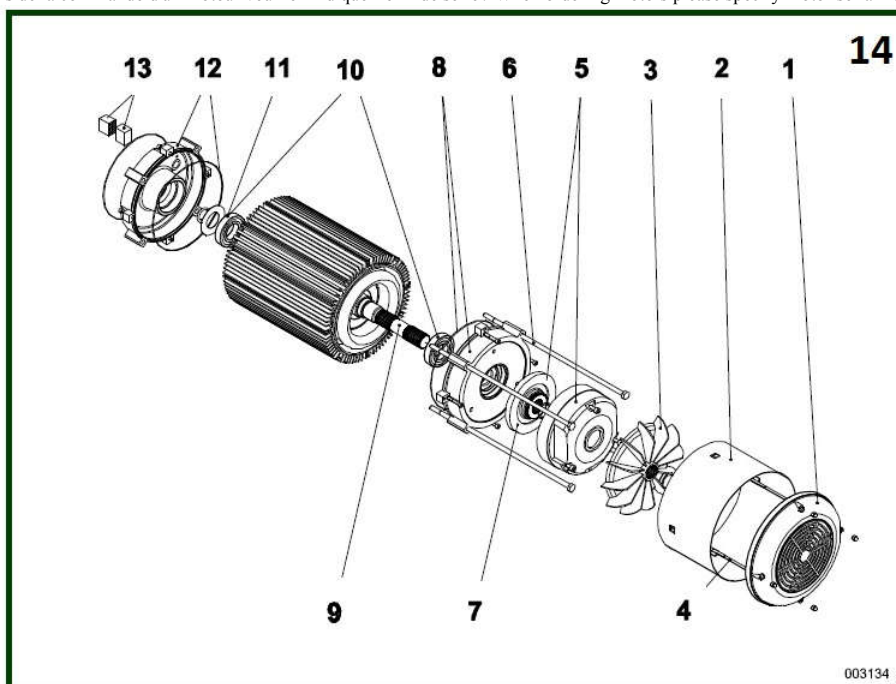


item	reference	description	observation	Quantity
1	<a href="#">VT0002318</a>	Cover		1
1	<a href="#">VT0000218</a>	Cover	(VT0000078)	1
2	<a href="#">VT0000079</a>	Fan		1
3	<a href="#">VT0000085</a>	Brake 200/240V	VT0002865	1
3	<a href="#">VT0000082</a>	Brake 380-480V	P4 - VT0002843	1
3	<a href="#">VT0000083</a>	Brake 500-600V	VT0002850	1
3	<a href="#">VT0000084</a>	Brake - 660/690V 50Hz	(VT0002858)	1
4	<a href="#">VT0000086</a>	Brake disk set	VT0002497	1
5	<a href="#">VT0000089</a>	Friction disk	Type de moteur / Hoist motor type P-T (VT0000087)	1
6	<a href="#">VT0000098</a>	Flange	VT0002307	1
7	<a href="#">VT0000091</a>	Bearing set	Type de moteur / Hoist motor type P	1
7	<a href="#">VT0000092</a>	Bearing set	Type de moteur / Hoist motor type T	1
8	<a href="#">VT0000093</a>	Screw set	Type de moteur / Hoist motor type P VT0004729	1
8	<a href="#">VT0000094</a>	Screw set	Type de moteur / Hoist motor type T	1
9	<a href="#">VT11040006</a>	Support		1
10	<a href="#">VT0000095</a>	Shaft assembly	Type de moteur / Hoist motor type P	1
10	<a href="#">VT0000096</a>	Shaft assembly	Type de moteur / Hoist motor type T	1
11	<a href="#">VT0000090</a>	Flange		1
12	<a href="#">VT0000631</a>	Plug		1
13	<a href="#">VT0000099</a>	Bearing	Type de moteur / Hoist motor type T	1
14	<a href="#">VT0001882</a>	Motor	T4	1
14	<a href="#">VT0001881</a>	Motor	T5	1
14	<a href="#">VT0002126</a>	Motor 208/230V 60Hz	P4 - Fin de course mécanique/Mechanical limit switch Mesure de puissance de levage/Hoist power measurement	1
14	<a href="#">VT0001879</a>	Motor 208/230V 60Hz	P4 - Fin de course mécanique/Mechanical limit switch Sans dispositif de surcharge/ Without overload device Jauge de contrainte/Strain gauge	1
14	<a href="#">VT0002124</a>	Motor 208/230V 60Hz	P5 - Fin de course mécanique/Mechanical limit switch Mesure de puissance de levage/Hoist power measurement	1
14	<a href="#">VT0001880</a>	Motor 208/230V 60Hz	P5 - Fin de course mécanique/Mechanical limit switch Sans dispositif de surcharge/ Without overload device Jauge de contrainte/Strain gauge	1
14	<a href="#">VT0002127</a>	Motor 220/240V 50Hz	P4 - Fin de course mécanique/Mechanical limit switch Mesure de puissance de levage/Hoist power measurement	1
14	<a href="#">VT0000101</a>	Motor 220/240V 50Hz	P4 - Fin de course mécanique/Mechanical limit switch Sans dispositif de surcharge/ Without overload device Jauge de contrainte/Strain gauge	1
14	<a href="#">VT0001707</a>	Motor 220/240V 50Hz	P5 - Fin de course mécanique/Mechanical limit switch Mesure de puissance de levage/Hoist power measurement	1

14	<u>VT0000417</u>	Motor 220/240V 50Hz	P5 - Fin de course mécanique/Mechanical limit switch Sans dispositif de surcharge/ Without overload device Jauge de contrainte/Strain gauge	1
14	<u>VT0002128</u>	Motor 380/415V 50Hz - 440/480V 60Hz	P4 - Fin de course mécanique/Mechanical limit switch Mesure de puissance de levage/Hoist power measurement	1
14	<u>VT0000100</u>	Motor 380/415V 50Hz - 440/480V 60Hz	P4 - Fin de course mécanique/Mechanical limit switch Sans dispositif de surcharge/Without overload device Jauge de contrainte/Strain gauge	1
14	<u>VT0001708</u>	Motor 380/415V 50Hz - 440/480V 60Hz	P5 - Fin de course mécanique/Mechanical limit switch Mesure de puissance de levage/Hoist power measurement	1
14	<u>VT0000416</u>	Motor 380/415V 50Hz - 440/480V 60Hz	P5 - Fin de course mécanique/Mechanical limit switch Sans dispositif de surcharge/Without overload device Jauge de contrainte/Strain gauge	1
14	<u>VT0000102</u>	Motor 500/525V 50Hz 550/600V 60Hz	P4 - Fin de course mécanique/Mechanical limit switch Sans dispositif de surcharge/Without overload device Jauge de contrainte/Strain gauge	1
14	<u>VT0001706</u>	Motor 500/525V 50Hz - 500/600V 60Hz	P5 - Fin de course mécanique/Mechanical limit switch Mesure de puissance de levage/Hoist power measurement	1
14	<u>VT0002125</u>	Motor 500/525V 50Hz - 500/600V 60 Hz	P4 - Fin de course mécanique/Mechanical limit switch Mesure de puissance de levage/Hoist power measurement	1
14	<u>VT0000418</u>	Motor 500/525V 50Hz - 550/600V 60Hz	P5 - Fin de course mécanique/Mechanical limit switch Sans dispositif de surcharge/ Without overload device Jauge de contrainte/Strain gauge	1

## 4.2) Hoist motor type P & T - Hoist motor size : 6

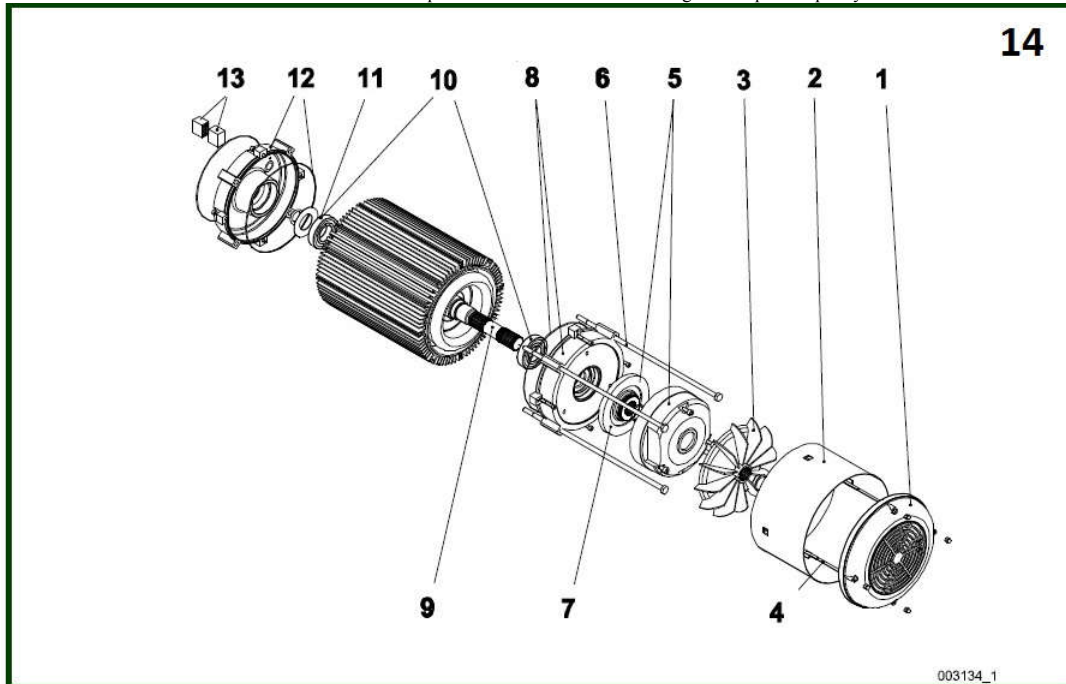
Lors de la commande d'un moteur veuillez indiquer le n° de série / When ordering motors please specify motor serial number



item	reference	description	observation	Quantity
1	<a href="#">VT0000219</a>	Grating set	VT0000103	1
2	<a href="#">VT0001228</a>	Cover		1
2	<a href="#">VT0000220</a>	Cover	VT0000104	1
3	<a href="#">VT0000105</a>	Fan		1
4	<a href="#">VT0000106</a>	Support		1
5	<a href="#">VT0000111</a>	Brake 200/240V	VT0002866	1
5	<a href="#">VT0000107</a>	Brake 380/480V	VT0002842	1
5	<a href="#">VT0000108</a>	Brake 500/600V	VT0002852	1
5	<a href="#">VT0000109</a>	Brake 660/690V 50Hz	VT0002859	1
6	<a href="#">VT0000112</a>	Screws set	Type de moteur / Hoist motor type P	1
6	<a href="#">VT0000113</a>	Screws set	Type de moteur / Hoist motor type T	1
7	<a href="#">VT0000086</a>	Brake disk set	VT0002497	1
8	<a href="#">VT0000114</a>	Flange		1
9	<a href="#">VT0000115</a>	Shaft assembly	Type de moteur / Hoist motor type P	1
9	<a href="#">VT0000634</a>	Shaft assembly	Type de moteur / Hoist motor type T Type de réducteur/Hoisting gear type E-F	1
10	<a href="#">VT0000116</a>	Bearing	Type de moteur / Hoist motor type P	1
10	<a href="#">VT0000117</a>	Bearing	Type de moteur / Hoist motor type T	1
11	<a href="#">VT0000118</a>	Bearing	Type de moteur / Hoist motor type T	1
12	<a href="#">VT0000119</a>	Flange		1
13	<a href="#">VT0000631</a>	Plug		1
14	<a href="#">VT0001908</a>	Motor	Type de moteur / Hoist motor type T	1
14	<a href="#">VT0002140</a>	Motor 208/230 60 Hz	P - Fin de course mécanique/Mechanical limit switch Mesure de puissance de levage/Hoist power measurement	1
14	<a href="#">VT0001907</a>	Motor 208/230 60Hz	P - Fin de course mécanique/Mechanical limit switch Sans dispositif de surcharge/ Without overload device Jauge de contrainte/Strain gauge	1
14	<a href="#">VT0002139</a>	Motor 220/240 50Hz	P - Fin de course mécanique/Mechanical limit switch Mesure de puissance de levage/Hoist power measurement	1
14	<a href="#">VT0000121</a>	Motor 220/240 50Hz	P - Fin de course mécanique/Mechanical limit switch Sans dispositif de surcharge/ Without overload device Jauge de contrainte/Strain gauge	1
14	<a href="#">VT0000120</a>	Motor 380/415V 50Hz - 440/480 60 Hz	P - Fin de course mécanique/Mechanical limit switch Sans dispositif de surcharge/Without overload device Jauge de contrainte/Strain gauge	1
14	<a href="#">VT0002138</a>	Motor 380/415 50Hz - 440-480 60Hz	P - Fin de course mécanique/Mechanical limit switch Mesure de puissance de levage/Hoist power measurement	1
14	<a href="#">VT0000122</a>	Motor 500/525 50Hz -550-600 60Hz	P - Fin de course mécanique/Mechanical limit switch Sans dispositif de surcharge/ Without overload device Jauge de contrainte/Strain gauge	1
14	<a href="#">VT0002141</a>	Motor 500/525 50Hz - 550/600 60 Hz	P - Fin de course mécanique/Mechanical limit switch Mesure de puissance de levage/Hoist power measurement	1

### 4.3) Hoist motor type P & T - Hoist motor size : 7

Lors de la commande d'un moteur veuillez indiquer le n° de série / When ordering motors please specify motor serial number

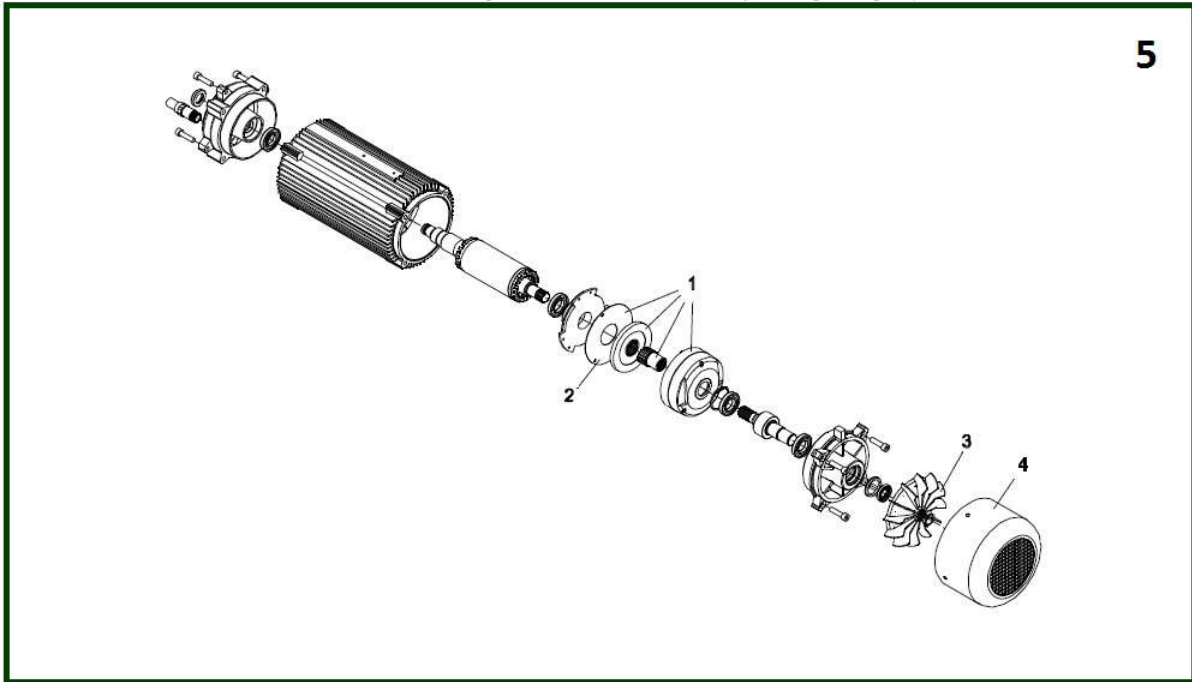


item	reference	description	observation	Quantity
1	<a href="#">VT0000219</a>	Grating set	VT0000103	1
2	<a href="#">VT0000220</a>	Cover	VT0000104	1
3	<a href="#">VT0000105</a>	Fan		1
4	<a href="#">VT0000106</a>	Support		1
5	<a href="#">VT0000126</a>	Brake 200/240V		1
5	<a href="#">VT0000123</a>	Brake 380/480V		1
5	<a href="#">VT0000124</a>	Brake 500/600V		1
5	<a href="#">VT0000125</a>	Brake 660/690 50 Hz		1
6	<a href="#">VT0000127</a>	Screws set	Type de moteur / Hoist motor type P	1
6	<a href="#">VT0000128</a>	Screws set	Type de moteur / Hoist motor type T	1
7	<a href="#">VT0000129</a>	Brake disk		1
8	<a href="#">VT0000131</a>	Flange		1
9	<a href="#">VT0000130</a>	Shaft assembly	Type de moteur / Hoist motor type P Type de réducteur/Hoisting gear type E-F	1
9	<a href="#">VT0001910</a>	Shaft assembly	Type de moteur / Hoist motor type P Type de réducteur/Hoisting gear type G,H,J	1
9	<a href="#">VT0000634</a>	Shaft assembly	Type de moteur / Hoist motor type T Type de réducteur/Hoisting gear type E-F	1
9	<a href="#">VT0001909</a>	Shaft assembly	Type de moteur / Hoist motor type T Type de réducteur/Hoisting gear type G-H-J	1
10	<a href="#">VT0000116</a>	Bearing	Type de moteur / Hoist motor type P	1
10	<a href="#">VT0000117</a>	Bearing	Type de moteur / Hoist motor type T	1
11	<a href="#">VT0000118</a>	Bearing	Type de moteur / Hoist motor type T	1
12	<a href="#">VT0000119</a>	Flange		1
13	<a href="#">VT0000631</a>	Plug		1
14	<a href="#">VT0001917</a>	Motor	Type de moteur / Hoist motor type T Longueur de tambour / Hoist drum length G-H-J	1
14	<a href="#">VT0001912</a>	Motor	Type de moteur / Hoist motor type T Type de réducteur / Hoisting gear type E-F	1
14	<a href="#">VT0002131</a>	Motor 208-230 60 Hz	P - Fin de course mécanique/Mechanical limit switch Mesure de puissance de levage/Hoist power measurement Type de réducteur / Hoisting gear type G-H-J	1
14	<a href="#">VT0002135</a>	Motor 208/230 60 Hz	P - Fin de course mécanique/Mechanical limit switch Mesure de puissance de levage/Hoist power measurement Type de réducteur / Hoisting gear type E-F	1
14	<a href="#">VT0001911</a>	Motor 208/230 60 Hz	P - Fin de course mécanique/Mechanical limit switch Sans dispositif de surcharge/Without overload device Jauge de contrainte/Strain gauge Type de réducteur / Hoisting gear type E-F	1

14	<u>VT0001915</u>	Motor 208/230 60 Hz	P - Fin de course mécanique/Mechanical limit switch Sans dispositif de surcharge/ Without overload device Jauge de contrainte/Strain gauge Type de réducteur / Hoisting gear type G-H-J	1
14	<u>VT0002136</u>	Motor 220/240 50 Hz	P - Fin de course mécanique/Mechanical limit switch Mesure de puissance de levage/Hoist power measurement Type de réducteur / Hoisting gear type E-F	1
14	<u>VT0002132</u>	Motor 220/240 50 Hz	P - Fin de course mécanique/Mechanical limit switch Mesure de puissance de levage/Hoist power measurement Type de réducteur / Hoisting gear type G-H-J	1
14	<u>VT0001710</u>	Motor 220/240 50 Hz	P - Fin de course mécanique/Mechanical limit switch Sans dispositif de surcharge/Without overload device Jauge de contrainte/Strain gauge Type de réducteur / Hoisting gear type E,F	1
14	<u>VT0001914</u>	Motor 220/240 50 Hz	P - Fin de course mécanique/Mechanical limit switch Sans dispositif de surcharge/ Without overload device Jauge de contrainte/Strain gauge Type de réducteur / Hoisting gear type G-H-J	1
14	<u>VT0002137</u>	Motor 380/415 50 Hz 440/480 60 Hz	P - Fin de course mécanique/Mechanical limit switch Mesure de puissance de levage/Hoist power measurement Type de réducteur / Hoisting gear type E-F	1
14	<u>VT0002133</u>	Motor 380/415 50 Hz - 440/480 60Hz	P - Fin de course mécanique/Mechanical limit switch Mesure de puissance de levage/Hoist power measurement Type de réducteur / Hoisting gear type G-H-J	1
14	<u>VT0001913</u>	Motor 380/415 50 Hz - 440/480 60 Hz	P - Fin de course mécanique/Mechanical limit switch Sans dispositif de surcharge/ Without overload device Jauge de contrainte/Strain gauge Type de réducteur / Hoisting gear type G-H-J	1
14	<u>VT0001709</u>	Motor 380/415 50 Hz - 440/480 60 Hz	P - Fin de course mécanique/Mechanical limit switch Sans dispositif de surcharge/ Without overload device Jauge de contrainte/Strain gauge Type de réducteur / Hoisting gear type E,F	1
14	<u>VT0002134</u>	Motor 500/525 50Hz 550/600 60Hz	P - Fin de course mécanique/Mechanical limit switch Mesure de puissance de levage/Hoist power measurement Type de réducteur / Hoisting gear type E-F	1
14	<u>VT0001916</u>	Motor 500/525 50 Hz - 550-600 60 Hz	P - Fin de course mécanique/Mechanical limit switch Sans dispositif de surcharge/ Without overload device Jauge de contrainte/Strain gauge	1
14	<u>VT0001711</u>	Motor 500/525 50 Hz - 550-600 60 Hz	P - Fin de course mécanique/Mechanical limit switch Sans dispositif de surcharge/ Without overload device Jauge de contrainte/Strain gauge Type de réducteur / Hoisting gear type E-F	1

## 4.4) Hoist motor type E - Hoist motor size 1-2

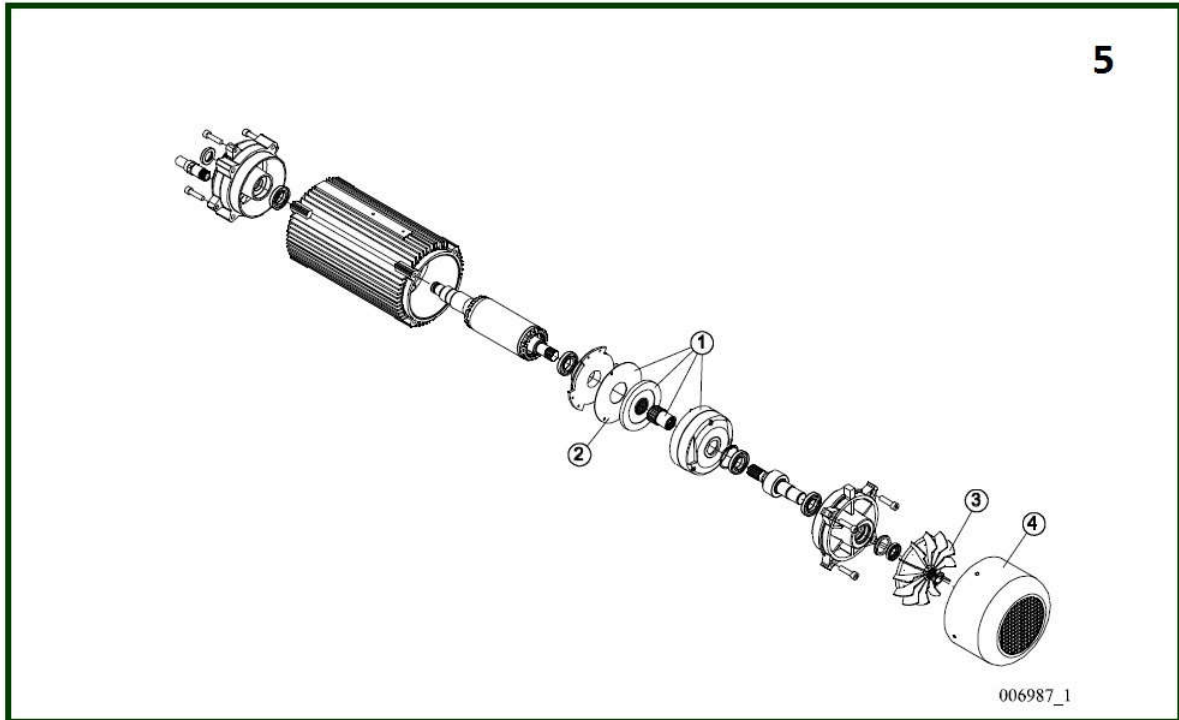
Lors de la commande d'un moteur veuillez indiquer le n° de série / When ordering motors please specify motor serial number



item	reference	description	observation	Quantity
1	<a href="#">VT14041001</a>	Brake - 200/240V	(VT0002863)	1
1	<a href="#">VT14041801</a>	Brake - 346/480V	(VT0002840)	1
1	<a href="#">VT14042401</a>	Brake - 500/600V	(VT0002848)	1
1	<a href="#">VT14042901</a>	Brake - 660/690V - 50Hz	(VT0002857)	1
2	<a href="#">VT11040003</a>	Brake disk		1
3	<a href="#">VT0002095</a>	Fan		1
4	<a href="#">VT0002096</a>	Cover		1
5	<a href="#">VT0002097</a>	Motor	Explosion proof Taille moteur levage/ Hoist motor size 1 Ex-proof hoist type/Type palan ADF = EN18	1
5	<a href="#">VT0002100</a>	Motor	Explosion proof Taille moteur levage/ Hoist motor size 1 Ex-proof hoist type/Type palan ADF = EN19	1
5	<a href="#">VT0002101</a>	Motor	Explosion proof Taille moteur levage/ Hoist motor size 1 Ex-proof hoist type/Type palan ADF = SCA	1
5	<a href="#">VT0002102</a>	Motor	Explosion proof Taille moteur levage/ Hoist motor size 1 Ex-proof hoist type/Type palan ADF = SCA	1
5	<a href="#">VT0002098</a>	Motor	Explosion proof Taille moteur levage/ Hoist motor size 2 Ex-proof hoist type/Type palan ADF = EN18	1
5	<a href="#">VT0002099</a>	Motor	Explosion proof Taille moteur levage/ Hoist motor size 2 Ex-proof hoist type/Type palan ADF = EN19	1

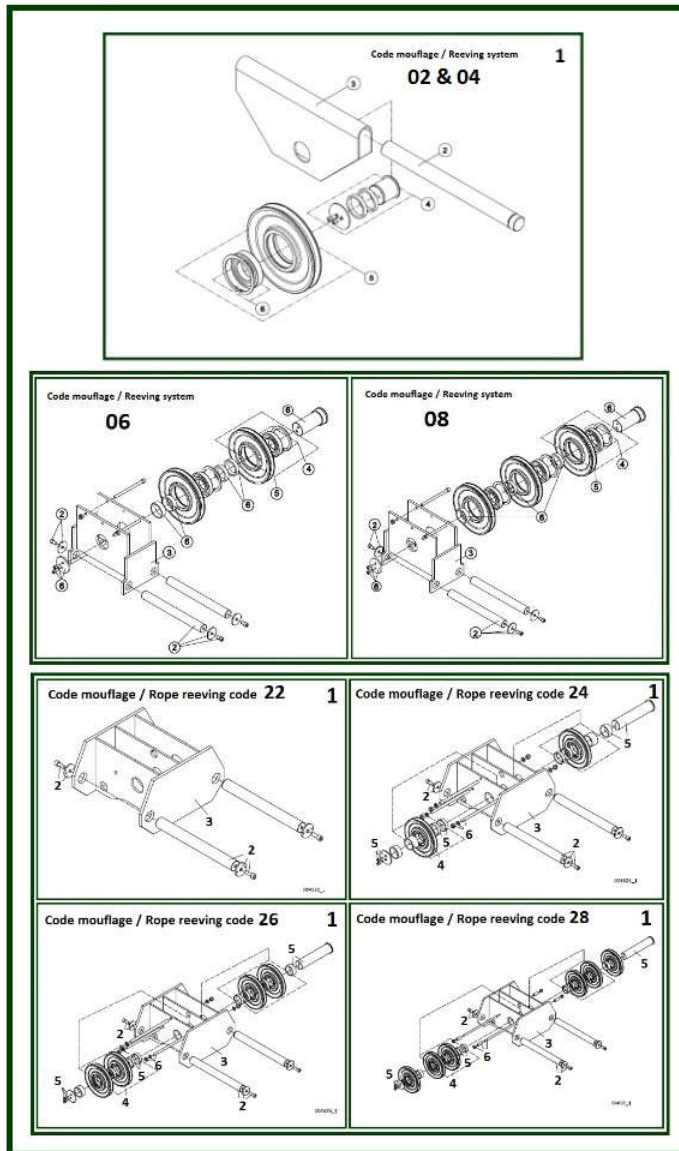
## 4.5) Hoist motor type E - Hoist motor size 4-6

Lors de la commande d'un moteur veuillez indiquer le n° de série / When ordering motors please specify motor serial number



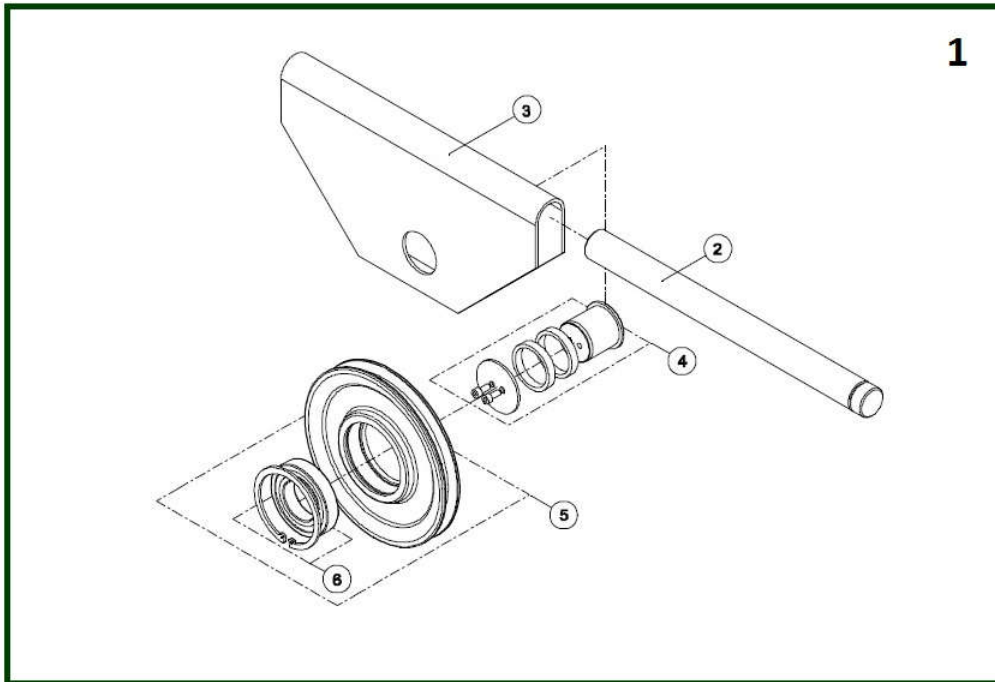
item	reference	description	observation	Quantity
1	<a href="#">VT0000111</a>	Brake 200/240V	VT0002866	1
1	<a href="#">VT0000107</a>	Brake 380/480V	VT0002842	1
1	<a href="#">VT0000108</a>	Brake 500/600V	VT0002852	1
1	<a href="#">VT0000109</a>	Brake 660/690V 50Hz	VT0002859	1
2	<a href="#">VT0000086</a>	Brake disk set	VT0002497	1
3	<a href="#">VT0002095</a>	Fan		1
4	<a href="#">VT0002096</a>	Cover		1
5	<a href="#">VT0002105</a>	Motor - Explosion proof	Taille moteur levage / Hoist motor size : 4 Type palan ADF / Ex-proof hoist type : CSA	1
5	<a href="#">VT0002107</a>	Motor - Explosion proof	Taille moteur levage / Hoist motor size : 4 Type palan ADF / Ex-proof hoist type : EN18	1
5	<a href="#">VT0002108</a>	Motor - Explosion proof	Taille moteur levage / Hoist motor size : 4 Type palan ADF / Ex-proof hoist type : EN19	1
5	<a href="#">VT0002109</a>	Motor - Explosion proof	Type de réducteur / Hoisting gear type : E-F Taille moteur levage / Hoist motor size : 6	1
5	<a href="#">VT0002110</a>	Motor - Explosion proof	Type de réducteur / Hoisting gear type : E-F Taille moteur levage / Hoist motor size : 6 Type palan ADF / Ex-proof hoist type : EN19	1
5	<a href="#">VT0002111</a>	Motor - Explosion proof	Type de réducteur / Hoisting gear type : E-F Taille moteur levage / Hoist motor size : CSA6 Type palan ADF / Ex-proof hoist type : CSA	1
5	<a href="#">VT0002106</a>	Motor - Explosion proof	Type de réducteur / Hoisting gear type : H Taille moteur levage / Hoist motor size : 6 Type palan ADF / Ex-proof hoist type : CSA	1
5	<a href="#">VT0002103</a>	Motor - Explosion proof	Type de réducteur / Hoisting gear type : H Taille moteur levage / Hoist motor size : 6 Type palan ADF / Ex-proof hoist type : EN18	1
5	<a href="#">VT0002104</a>	Motor - Explosion proof	Type de réducteur / Hoisting gear type : H Taille moteur levage / Hoist motor size : 6 Type palan ADF / Ex-proof hoist type : EN19	1

## 5) Reeving device



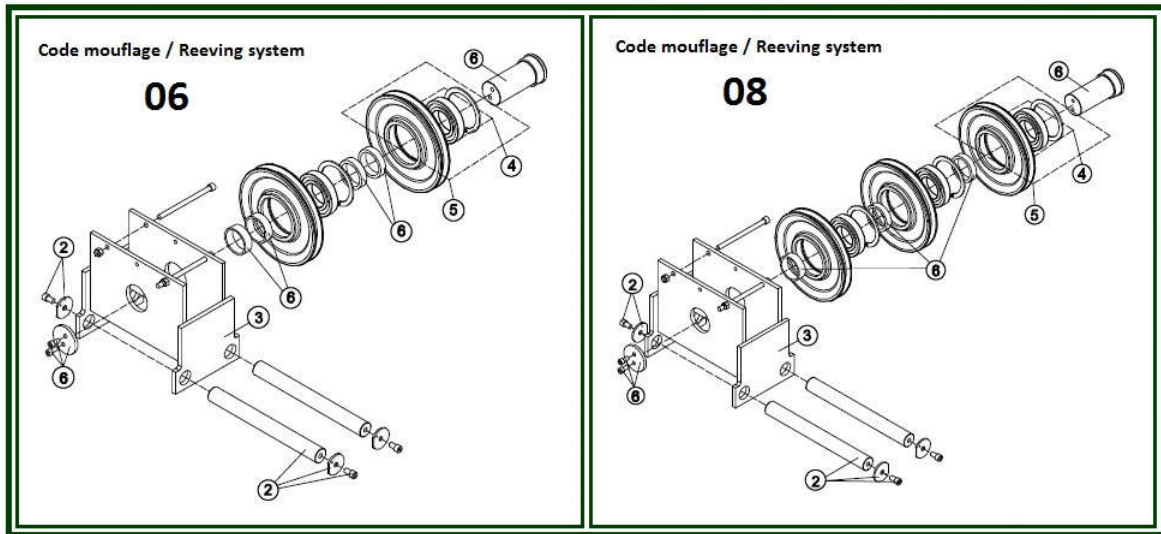


## 5.1) Rope reeving code : 02 & 04



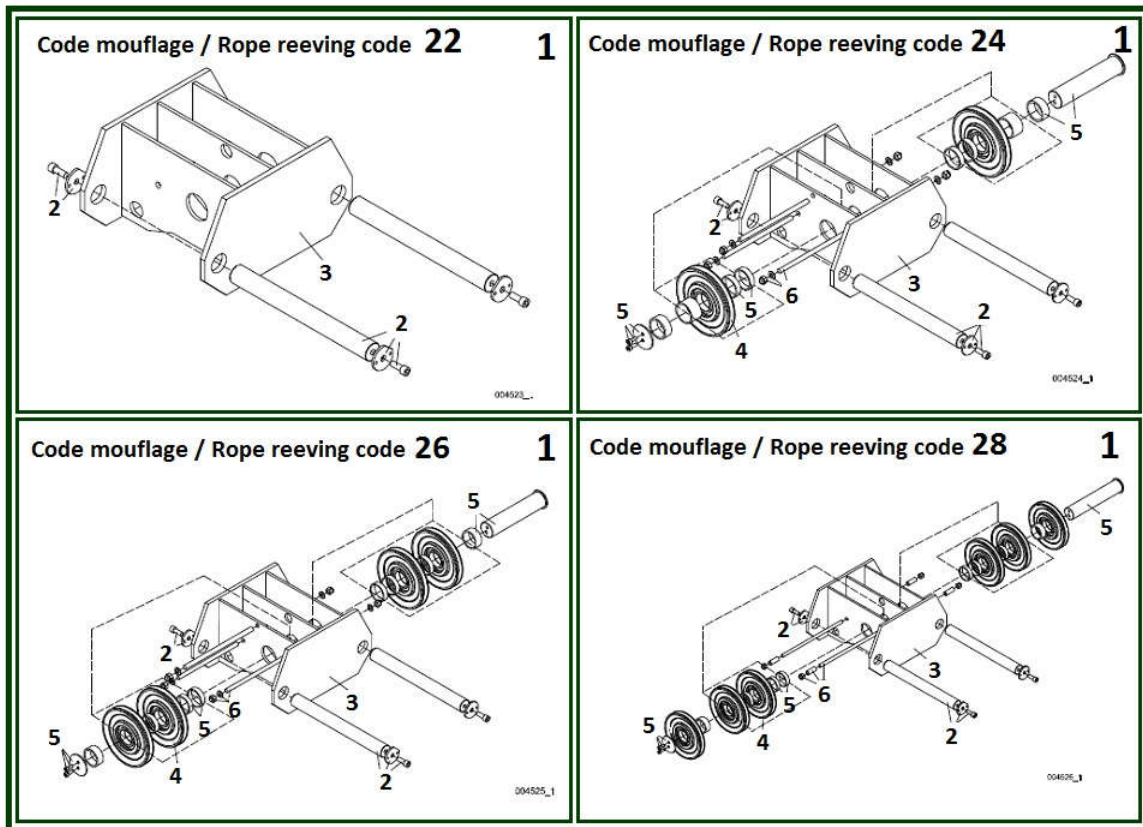
item	reference	description	observation	Quantity
1	<a href="#">VT0001783</a>	Beam support	VT0000365	1
2	<a href="#">VT0000265</a>	Shaft support		1
3	<a href="#">VT0000366</a>	Sheave support		1
4	<a href="#">VT0000267</a>	Shaft set		1
5	<a href="#">VT0000875</a>	Rope sheave	VT0000685-VT0000269-VT0000684-VT0000690	1
6	<a href="#">VT0000289</a>	Bearing set		1

## 5.2) Rope reeving code : 06 & 08



item	reference	description	observation	Quantity
1	<a href="#">VT0001918</a>	Rope sheave	Code mouflage / Rope reeving code 06	1
1	<a href="#">VT0001919</a>	Rope sheave	Code mouflage / Rope reeving code 08	1
2	<a href="#">VT0000687</a>	Shaft set		1
3	<a href="#">VT0000688</a>	Support		1
4	<a href="#">VT0000689</a>	Bearing set		3
5	<a href="#">VT0000690</a>	Rope sheave		3
6	<a href="#">VT0000691</a>	Shaft set		1

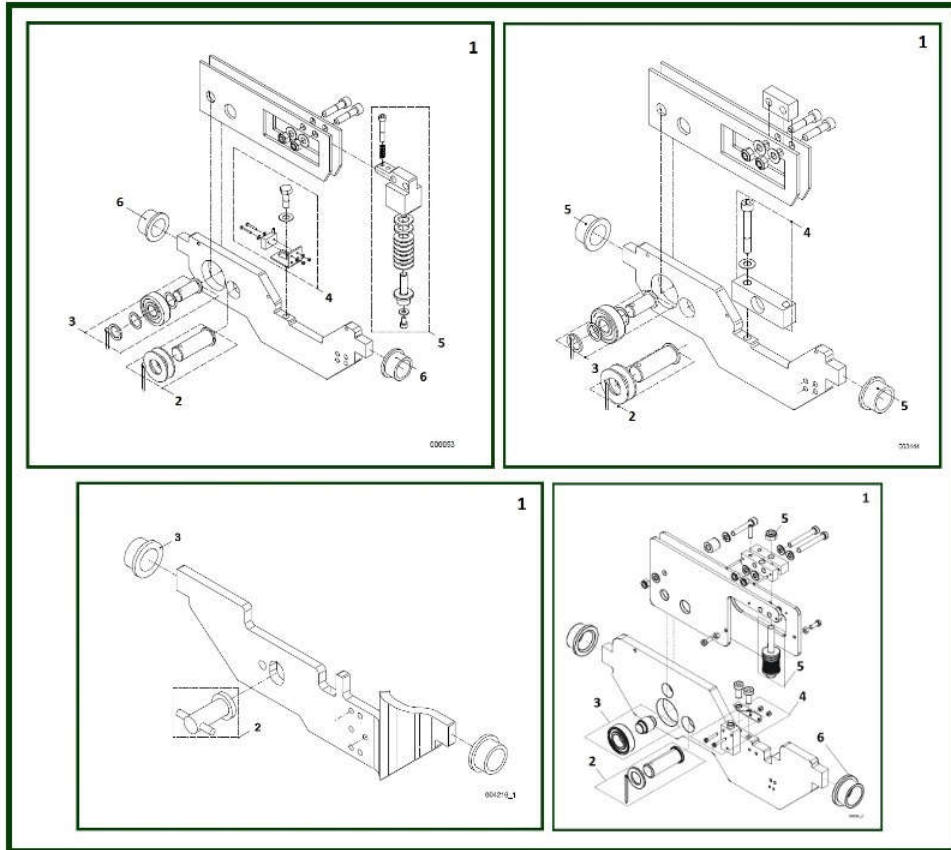
### 5.3) Rope reeving code : 22-24-26-28



item	reference	description	observation	Quantity
1	<a href="#">VT0000801</a>	Rope sheave	Code mouflage / Rope reeving code 22	1
1	<a href="#">VT0000800</a>	Rope sheave	Code mouflage / Rope reeving code 24	1
1	<a href="#">VT0000799</a>	Rope sheave	Code mouflage / Rope reeving code 26	1
1	<a href="#">VT0000798</a>	Rope sheave	Code mouflage / Rope reeving code 28	1
2	<a href="#">VT0000797</a>	Shaft set		1
3	<a href="#">VT0000802</a>	Sheave support		1
4	<a href="#">VT0000805</a>	Rope sheave	Code mouflage / Rope reeving code 24	1
4	<a href="#">VT0000804</a>	Rope sheave	Code mouflage / Rope reeving code 26	1
4	<a href="#">VT0000803</a>	Rope sheave	Code mouflage / Rope reeving code 28	1
5	<a href="#">VT0000794</a>	Shaft set	Code mouflage / Rope reeving code 24 & 26	1
5	<a href="#">VT0000795</a>	Shaft set	Code mouflage / Rope reeving code 28	1

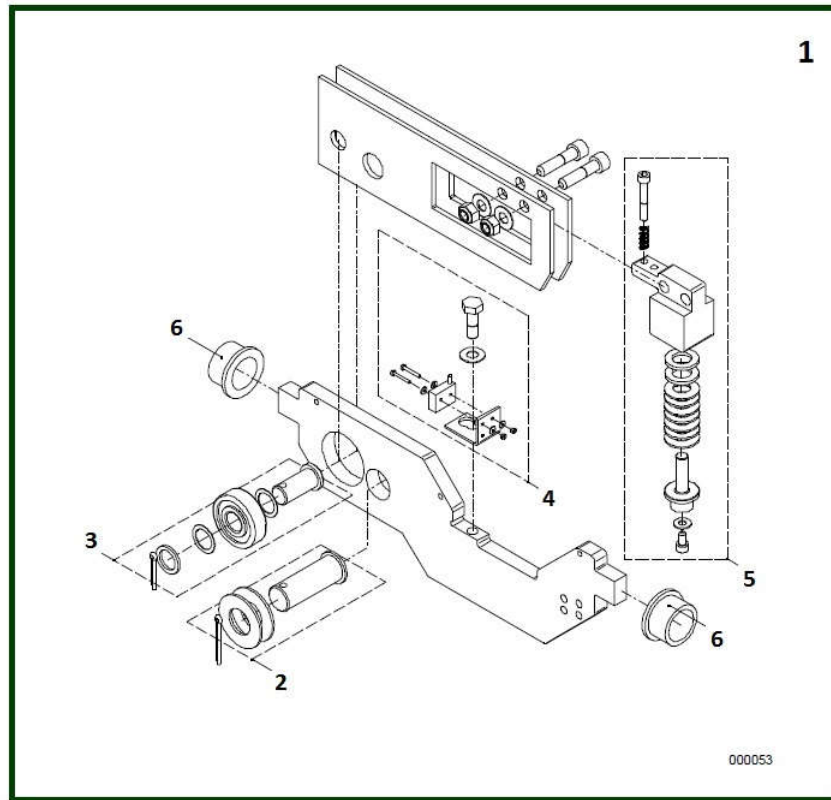
## 6) Overload device - Before 2011

OLD



## 6.1) Mechanical limit switch - Mechanical limit switch & Hoist power measurement - Reeving system 02 & 04

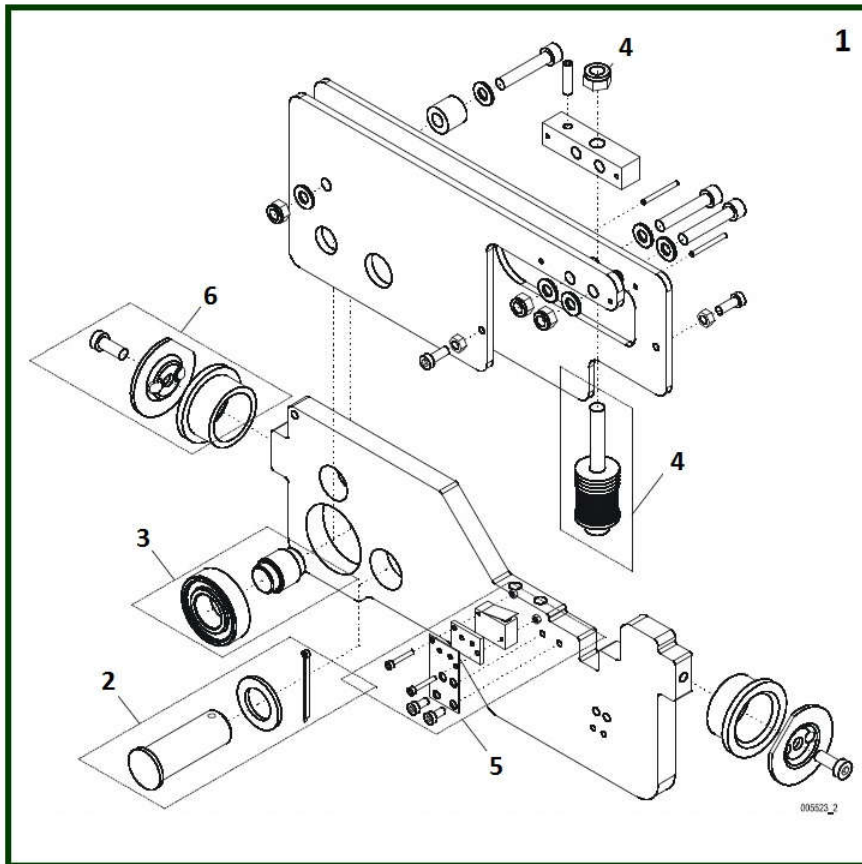
Old



item	reference	description	observation	Quantity
1	<a href="#">VT0000958</a>	Overload device	Charge / Load : 1250-1599 kg - Code mouflage / Rope reeving code 02 Charge / Load : 2500-3199 kg - Code mouflage / Rope reeving code 04	1
1	<a href="#">VT0000959</a>	Overload device	Charge / Load : 1600-3149 kg - Code mouflage / Rope reeving code 02 Charge / Load : 3200-6299 kg - Code mouflage / Rope reeving code 04	1
2	<a href="#">VT0000272</a>	Shaft set		1
3	<a href="#">VT0000273</a>	Shaft set		1
4	<a href="#">VT0000952</a>	Micro switch		1
4	<a href="#">VT0000612</a>	Micro switch	To H0206387	1
5	<a href="#">VT0000955</a>	Micro switch	Charge / Load : 1250-1599 kg - Code mouflage / Rope reeving code 02 Charge / Load : 2500-3199 kg - Code mouflage / Rope reeving code 04 From H0206388	1
5	<a href="#">VT0000275</a>	Spring set	Charge / Load : 1250-1599 kg-Code mouflage/Reeving system 02 Charge / Load : 2500-3199 kg-Code mouflage/Reeving system 04 To H0206387	1
5	<a href="#">VT0000956</a>	Spring set	Charge / Load : 1600-3149 kg - Code mouflage / Rope reeving code 02 Charge / Load : 3200-6299 kg - Code mouflage / Rope reeving code 04	1
5	<a href="#">VT0000957</a>	Spring set	Charge / Load : 3150-6299 kg - Code mouflage / Rope reeving code 02 Charge / Load : 6300-12500 kg - Code mouflage / Rope reeving code 04	1
6	<a href="#">VT0000276</a>	Radial sliding bearing		2

## 6.2) Mechanical limit switch - Mechanical limit switch & Hoist power measurement - Reeving system 06 & 08

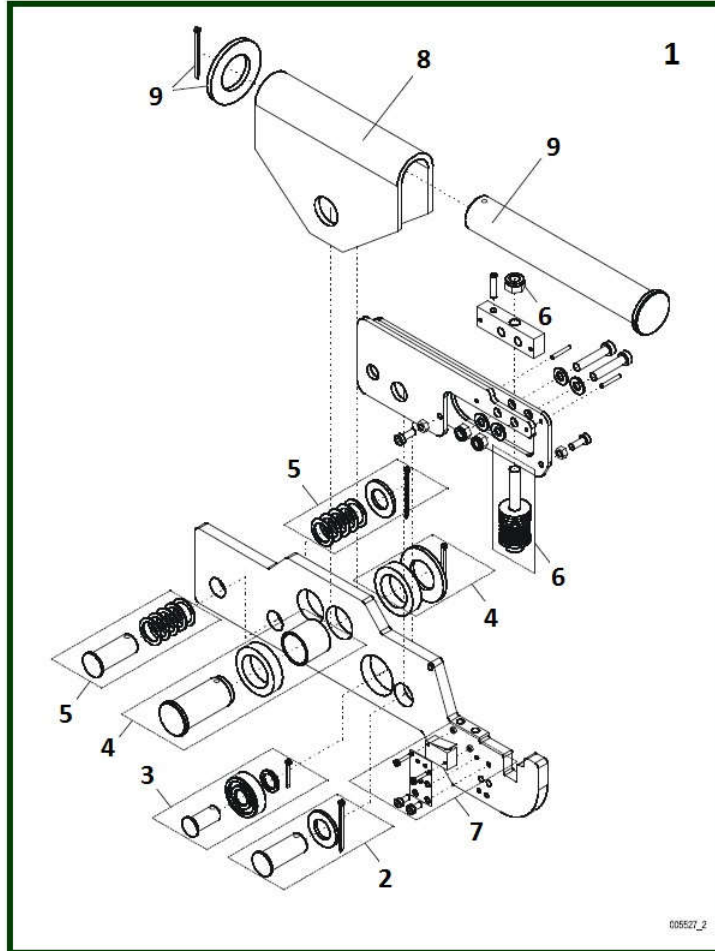
Old



item	reference	description	observation	Quantity
1	<a href="#">VT0000925</a>	Overload device	Charge / Load : 3750-4799 kg - Code mouflage / Rope reeving code 06 Charge / Load : 5000-6399 kg - Code mouflage / Rope reeving code 08	1
1	<a href="#">VT0000926</a>	Overload device	Charge / Load : 4800-9449 kg - Code mouflage / Rope reeving code 06 Charge / Load : 6400-12599 kg - Code mouflage / Rope reeving code 08	1
1	<a href="#">VT0000927</a>	Overload device	Charge / Load : 9450-18750 kg - Code mouflage / Rope reeving code 06 Charge / Load : 12600-25000 kg - Code mouflage / Rope reeving code 08	1
2	<a href="#">VT0000272</a>	Shaft set		1
3	<a href="#">VT0000273</a>	Shaft set		1
4	<a href="#">VT0000955</a>	Micro switch	Charge / Load : 1250-1599 kg - Code mouflage / Rope reeving code 02 Charge / Load : 2500-3199 kg - Code mouflage / Rope reeving code 04 From H0206388	1
4	<a href="#">VT0000956</a>	Spring set	Charge / Load : 1600-3149 kg - Code mouflage / Rope reeving code 02 Charge / Load : 3200-6299 kg - Code mouflage / Rope reeving code 04	1
4	<a href="#">VT0000957</a>	Spring set	Charge / Load : 3150-6299 kg - Code mouflage / Rope reeving code 02 Charge / Load : 6300-12500 kg - Code mouflage / Rope reeving code 04	1
5	<a href="#">VT0000952</a>	Micro switch		1
6	<a href="#">VT0000616</a>	Bearing set		1

**6.3) Mechanical limit switch - Mechanical limit switch & Hoist power measurement - Reeving system 22-24-26 & 28**

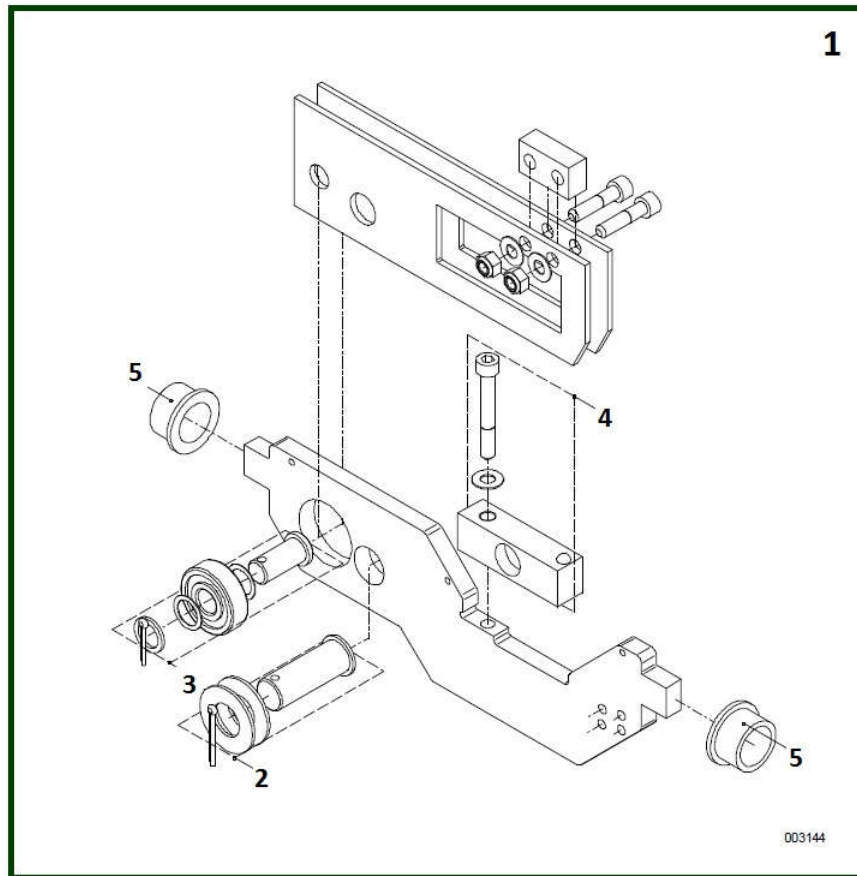
Old



item	reference	description	observation	Quantity
1	<a href="#">VT0000815</a>	Overload device	Charge/Load : 1250-1999 kg-Mouflage/Rope reeving 22 Charge/Load : 2500-3999 kg-Mouflage/Rope reeving 24 Charge/Load : 3750-5999 kg-Mouflage/Rope reeving 26 Charge/Load : 5000-7999 kg-Mouflage/Rope reeving 28	1
1	<a href="#">VT0000816</a>	Overload device	Charge/Load : 2000-3999 kg-Mouflage/Rope reeving 22 Charge/Load : 4000-7999 kg-Mouflage/Rope reeving 24 Charg /Load : 6000-11999 kg-Mouflage/Rope reeving 26 Charge/Load : 8000-15999 kg-Mouflage/Rope reeving 28	1
1	<a href="#">VT0000817</a>	Overload device	Charge/Load : 4000-5000 kg-Mouflage/Rope reeving 22 Charge/Load : 8000-10000 kg-Mouflage/Rope reeving 24 Charge/Load : 12000-15000 kg-Mouflage/Rope reeving 26 Charge/Load : 16000-20000 kg-Mouflage/Rope reeving 28	1
3	<a href="#">VT0000808</a>	Shaft set		1
4	<a href="#">VT0000809</a>	Shaft set	To H0423440	1
5	<a href="#">VT0000810</a>	Shaft set		1
6	<a href="#">VT0001234</a>	Spring set	VT0000811	1
7	<a href="#">VT0000952</a>	Micro switch		1
8	<a href="#">VT0000818</a>	Support plate		1
9	<a href="#">VT0000813</a>	Shaft set		1

## 6.4) Strain gauge - Rope reeving code 02 & 04

Old

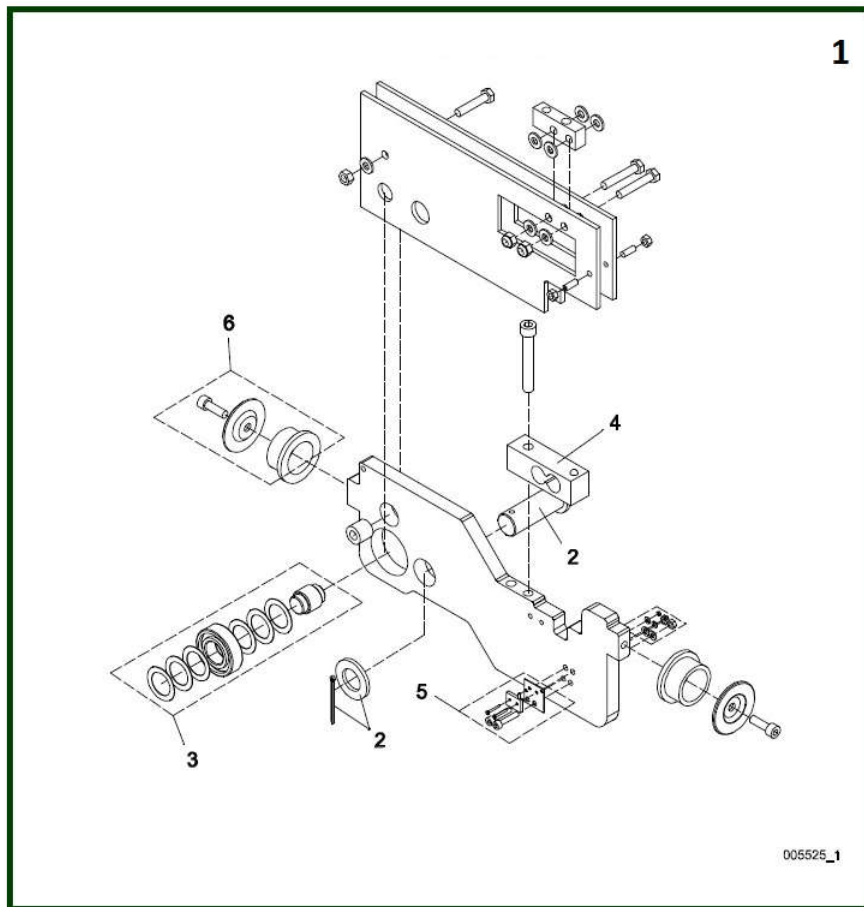


item	reference	description	observation	Quantity
1	<a href="#">VT0000279</a>	Overload device	Charge / Load <= 10000 kg	1
1	<a href="#">VT0001213</a>	Overload device	Charge / Load > 10000 kg	1
2	<a href="#">VT0000272</a>	Shaft set		1
3	<a href="#">VT0000273</a>	Shaft set		1
4	<a href="#">VT0001817</a>	Strain gauge	Code mouflage / Rope reeving code 02 to 08 HHY52505	1
5	<a href="#">VT0000280</a>	Micro switch		1
6	<a href="#">VT0000276</a>	Radial sliding bearing		1



## 6.5) Strain gauge - Rope reeving code 06 & 08

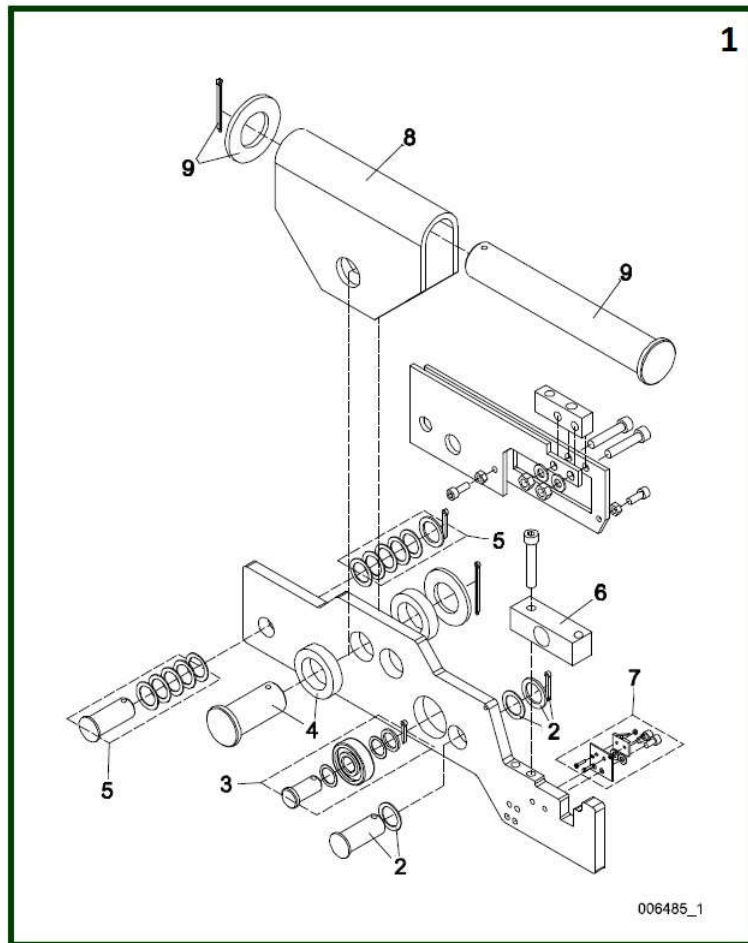
Old



item	reference	description	observation	Quantity
1	<a href="#">VT0000618</a>	Overload device	Code mouflage / Rope reeving code 06 & 08	1
2	<a href="#">VT0000272</a>	Shaft set		1
3	<a href="#">VT0000273</a>	Shaft set		1
4	<a href="#">VT0001817</a>	Strain gauge	Code mouflage / Rope reeving code 02 to 08 HHY52505	1
5	<a href="#">VT0000280</a>	Micro switch		1
6	<a href="#">VT0000616</a>	Bearing set		1

## 6.6) Strain gauge - Rope reeving 22-24-26-28

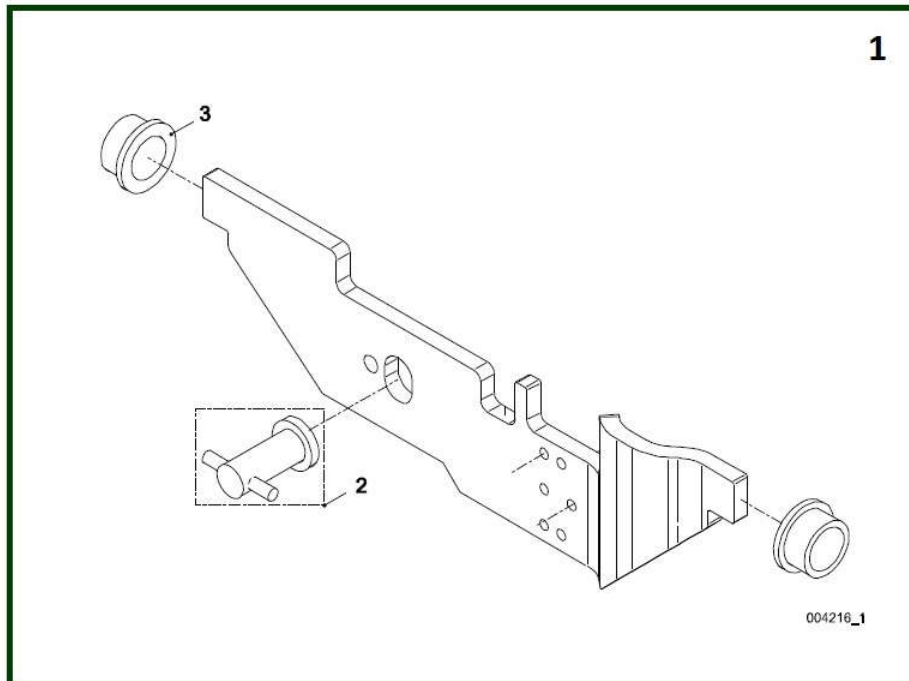
Old - Sans limiteur de charge / No overload device



item	reference	description	observation	Quantity
1	<a href="#">VT0001259</a>	Overload device		1
2 & 5	<a href="#">VT0000810</a>	Shaft set		1
3	<a href="#">VT0000808</a>	Shaft set		1
4	<a href="#">VT0000809</a>	Shaft set	To H0423440	1
6	<a href="#">VT0001815</a>	Strain gauge	To HHY49397	1
7	<a href="#">VT0000143</a>	Micro switch		1
8	<a href="#">VT0000818</a>	Support plate		1
9	<a href="#">VT0000813</a>	Shaft set		1

## 6.7) Hoist power measurement - Rope reeving code 02 & 04

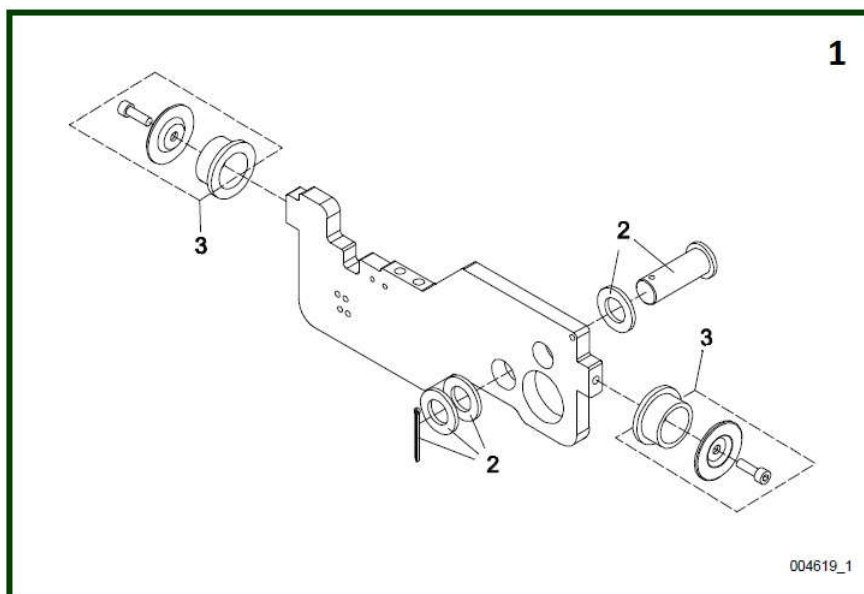
Old - Sans limiteur de charge / No overload device



item	reference	description	observation	Quantity
1	<u>VT0000614</u>	Rope support	Sans limiteur de charge / Without overload device	1
2	<u>VT0000272</u>	Shaft set		1
3	<u>VT0000276</u>	Radial sliding bearing		2

## 6.8) Hoist power measurement - Rope reeving code 06 & 08

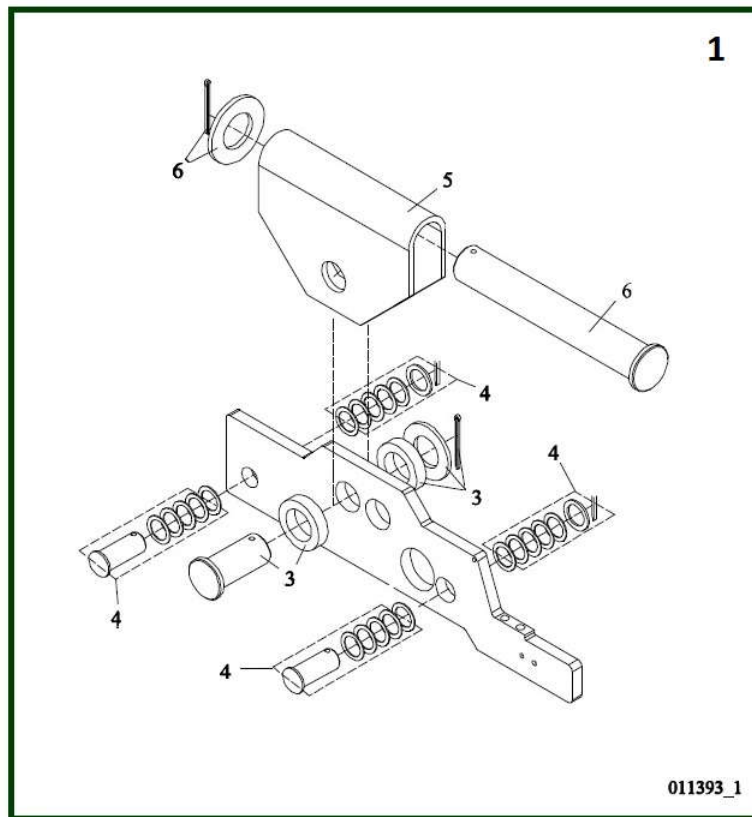
Old - Sans limiteur de charge / No overload device



item	reference	description	observation	Quantity
1	<a href="#">VT0000895</a>	Rope support	Sans limiteur de charge / Without overload device	1
2	<a href="#">VT0000272</a>	Shaft set		1
3	<a href="#">VT0000616</a>	Bearing set		1

## 6.9) Hoist power measurement - Rope reeving code 22-24-26-28

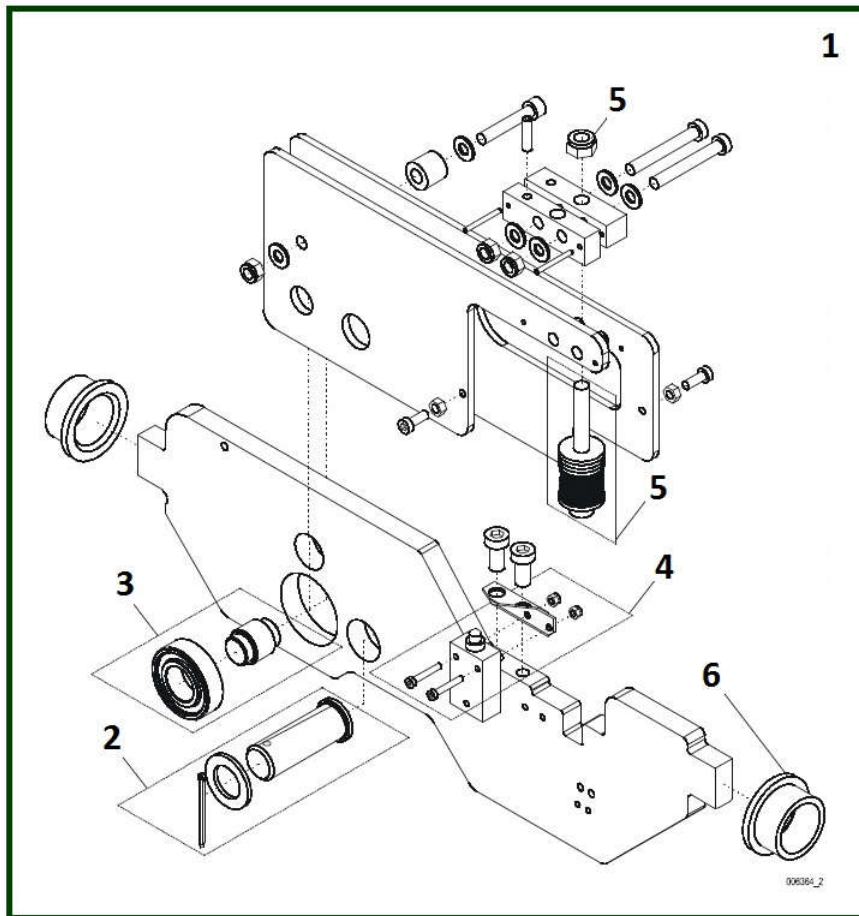
Old - Sans limiteur de charge / No overload device



item	reference	description	observation	Quantity
1	<a href="#">VT0002569</a>	Rope support	Sans limiteur de charge / Without overload device	1
3	<a href="#">VT0000809</a>	Shaft set	To H0423440	1
4	<a href="#">VT0000810</a>	Shaft set		2
5	<a href="#">VT0000818</a>	Support plate		1
6	<a href="#">VT0000813</a>	Shaft set		1

## 6.10) Ex-proof hoist type - Mechanical limit switch and hoist power measurement - Reeving system 02 & 04

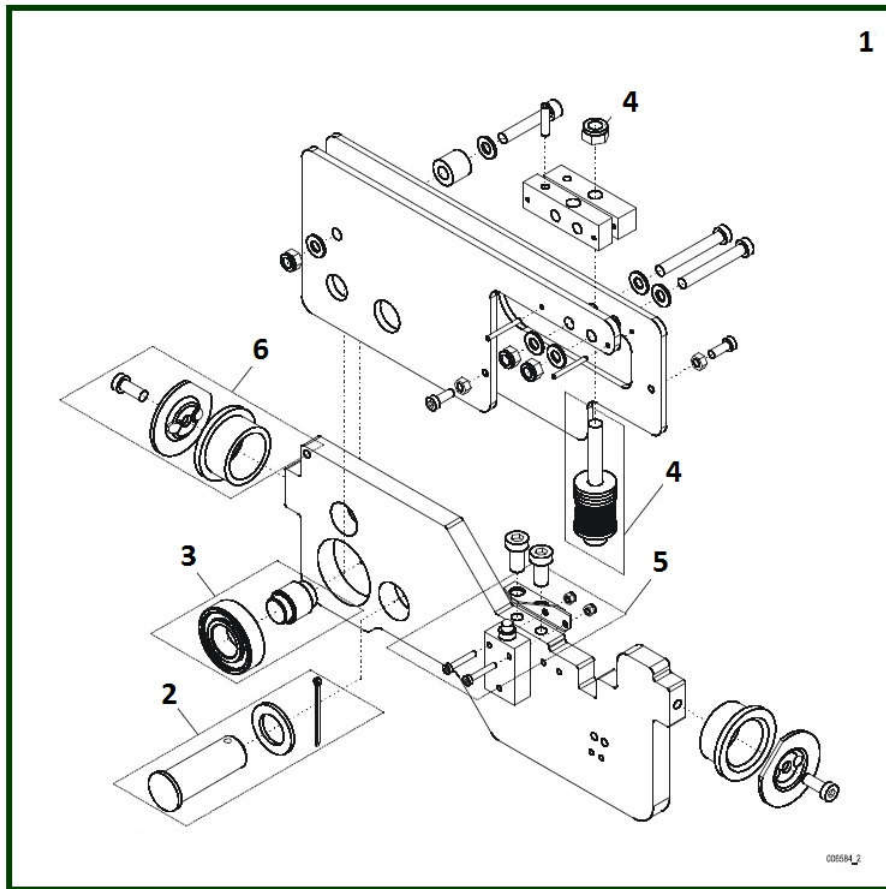
Old - Zone C1D2-ZONE 1 - ZONE 2



item	reference	description	observation	Quantity
1	<u>VT0002042</u>	Overload device	Charge / Load : 1250-1599 kg-Code mouflage/Reeving system 02 Charge / Load : 2500-3199 kg-Code mouflage/Reeving system 04 C1D2-Zone1 & 2	1
1	<u>VT0002043</u>	Overload device	Charge / Load : 1600-3149 kg-Code mouflage/Reeving system 02 Charge / Load : 3150-6299 kg-Code mouflage/Reeving system 04 C1D2-Zone1 & 2	1
1	<u>VT0002044</u>	Overload device	Charge / Load : 3150-6300 kg-Code mouflage/Reeving system 02 Charge / Load : 6300-12500 kg-Code mouflage/Reeving system 04 C1D2-Zone1 & 2	1
2	<u>VT0000272</u>	Shaft set		1
3	<u>VT0000273</u>	Shaft set		1
4	<u>VT0000612</u>	Micro switch	To H0206387	1
5	<u>VT0000275</u>	Spring set	Charge / Load : 1250-1599 kg-Code mouflage/Reeving system 02 Charge / Load : 2500-3199 kg-Code mouflage/Reeving system 04 To H0206387	1
5	<u>VT0000956</u>	Spring set	Charge / Load : 1600-3149 kg - Code mouflage / Rope reeving code 02 Charge / Load : 3200-6299 kg - Code mouflage / Rope reeving code 04	1
5	<u>VT0000957</u>	Spring set	Charge / Load : 3150-6299 kg - Code mouflage / Rope reeving code 02 Charge / Load : 6300-12500 kg - Code mouflage / Rope reeving code 04	1
6	<u>VT0000276</u>	Radial sliding bearing		2

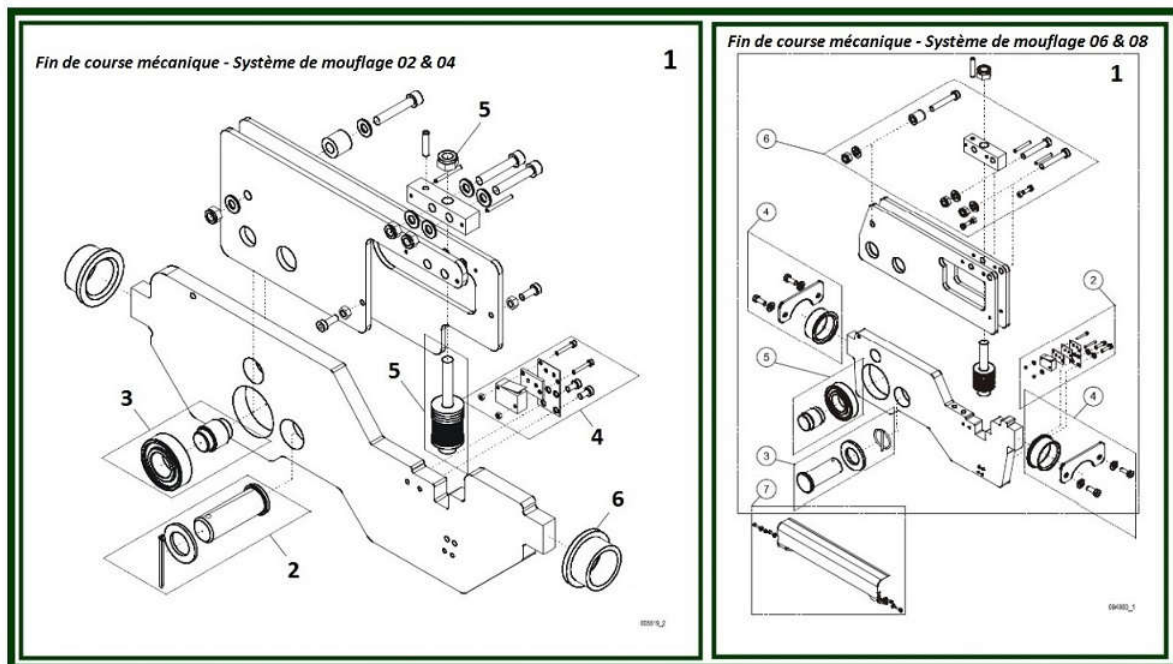
## 6.11) Ex-proof hoist type ADF EN18-EN19.CSA - Mechanical limit switch and hoist power measurement - Reeving system 06 & 08

Old - Moteur Ex-proof / Ex-proof motor type D / ZoneC1D2-ZONE1 - ZONE 2



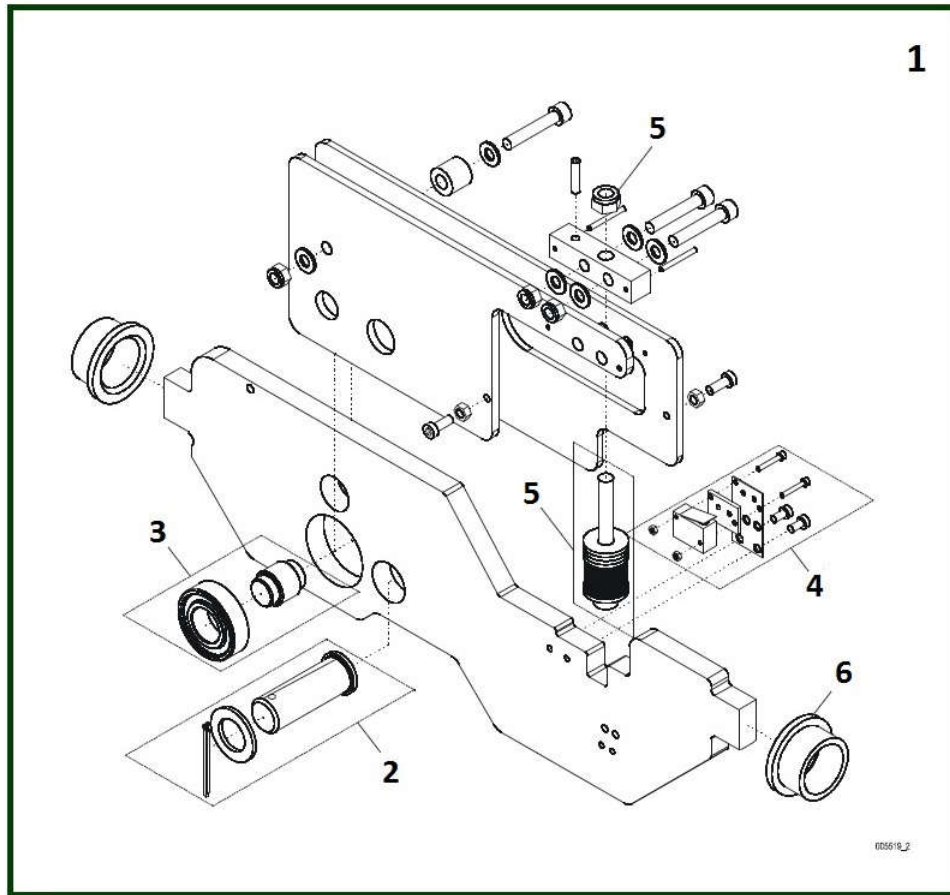
item	reference	description	observation	Quantity
1	<a href="#">VT0002046</a>	Overload device	Charge / Load : 3750-4799 kg -Code mouflage / Rope reeving code 06 Charge / Load : 5000-6399 kg -Code mouflage / Rope reeving code 08 Type palan ADF/Ex-proof hoist type CSA,EN18,EN19	1
1	<a href="#">VT0002047</a>	Overload device	Charge / Load : 4800-9499 kg -Code mouflage / Rope reeving code 06 Charge / Load : 6400-12599 kg -Code mouflage / Rope reeving code 08 Type palan ADF/Ex-proof hoist type CSA,EN18,EN19	1
1	<a href="#">VT0002048</a>	Overload device	Charge / Load : 9500-18750 kg -Code mouflage / Rope reeving code 06 Charge / Load : 12600-25000 kg -Code mouflage / Rope reeving code 08 Type palan ADF/Ex-proof hoist type CSA,EN18,EN19	1
2	<a href="#">VT0000272</a>	Shaft set		1
3	<a href="#">VT0000273</a>	Shaft set		1
4	<a href="#">VT0000955</a>	Micro switch	Charge / Load : 1250-1599 kg - Code mouflage / Rope reeving code 02 Charge / Load : 2500-3199 kg - Code mouflage / Rope reeving code 04 From H0206388	1
4	<a href="#">VT0000956</a>	Spring set	Charge / Load : 1600-3149 kg - Code mouflage / Rope reeving code 02 Charge / Load : 3200-6299 kg - Code mouflage / Rope reeving code 04	1
4	<a href="#">VT0000957</a>	Spring set	Charge / Load : 3150-6299 kg - Code mouflage / Rope reeving code 02 Charge / Load : 6300-12500 kg - Code mouflage / Rope reeving code 04	1
5	<a href="#">VT0002045</a>	Micro contact	Type palan ADF / Ex-proof hoist type CSA,EN18,EN19	1
6	<a href="#">VT0000616</a>	Bearing set		1

## 7) Overload device - After 2011



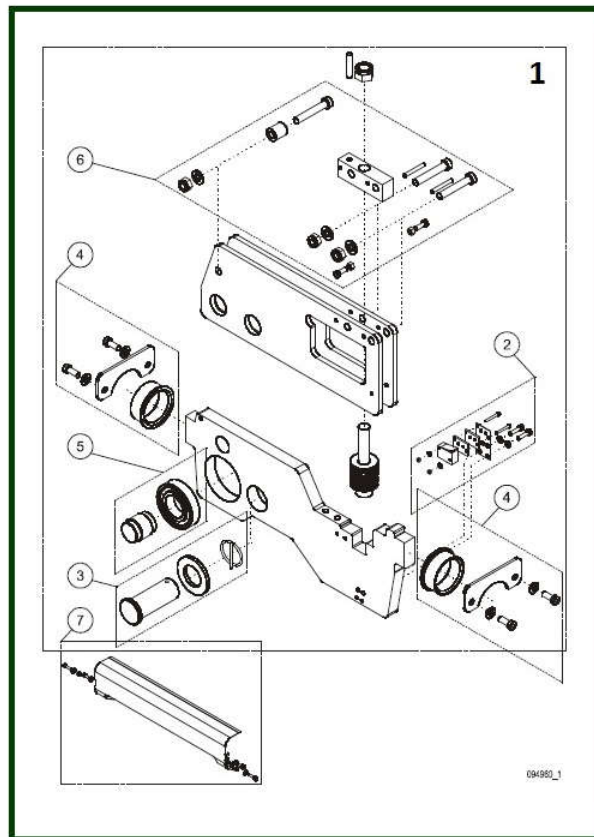


## 7.1) Mechanical limit switch - Mechanical limit switch and Hoist power measurement - Reeving system 02 & 04



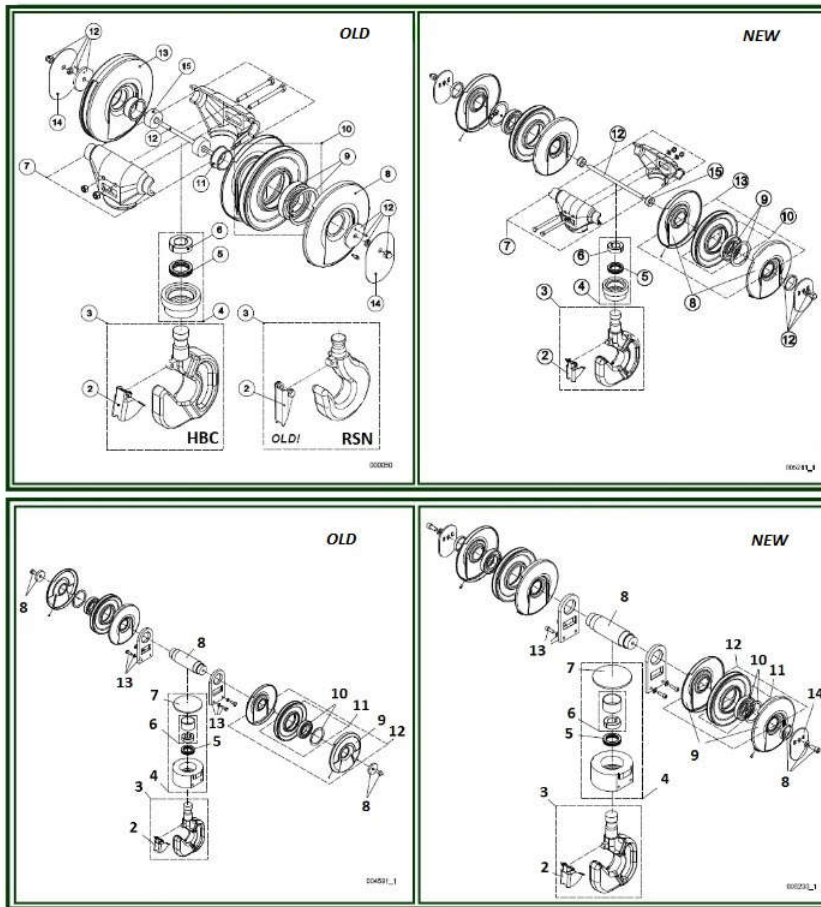
item	reference	description	observation	Quantity
1	<a href="#">VT0000958</a>	Overload device	Charge / Load : 1250-1599 kg - Code mouflage / Rope reeving code 02 Charge / Load : 2500-3199 kg - Code mouflage / Rope reeving code 04	1
1	<a href="#">VT0000959</a>	Overload device	Charge / Load : 1600-3149 kg - Code mouflage / Rope reeving code 02 Charge / Load : 3200-6299 kg - Code mouflage / Rope reeving code 04	1
1	<a href="#">VT0001921</a>	Overload device	Charge / Load : 3150-6299 kg - Code mouflage / Rope reeving code 02 Charge / Load : 6300-12500 kg - Code mouflage / Rope reeving code 04	1
2	<a href="#">VT0000272</a>	Shaft set		1
3	<a href="#">VT0000273</a>	Shaft set		1
4	<a href="#">VT0000952</a>	Micro switch		1
5	<a href="#">VT0000955</a>	Micro switch	Charge / Load : 1250-1599 kg - Code mouflage / Rope reeving code 02 Charge / Load : 2500-3199 kg - Code mouflage / Rope reeving code 04 From H0206388	1
5	<a href="#">VT0000956</a>	Spring set	Charge / Load : 1600-3149 kg - Code mouflage / Rope reeving code 02 Charge / Load : 3200-6299 kg - Code mouflage / Rope reeving code 04	1
5	<a href="#">VT0000957</a>	Spring set	Charge / Load : 3150-6299 kg - Code mouflage / Rope reeving code 02 Charge / Load : 6300-12500 kg - Code mouflage / Rope reeving code 04	1
6	<a href="#">VT0000276</a>	Radial sliding bearing		2

## 7.2) Mechanical limit switch - Reeving system 06 & 08

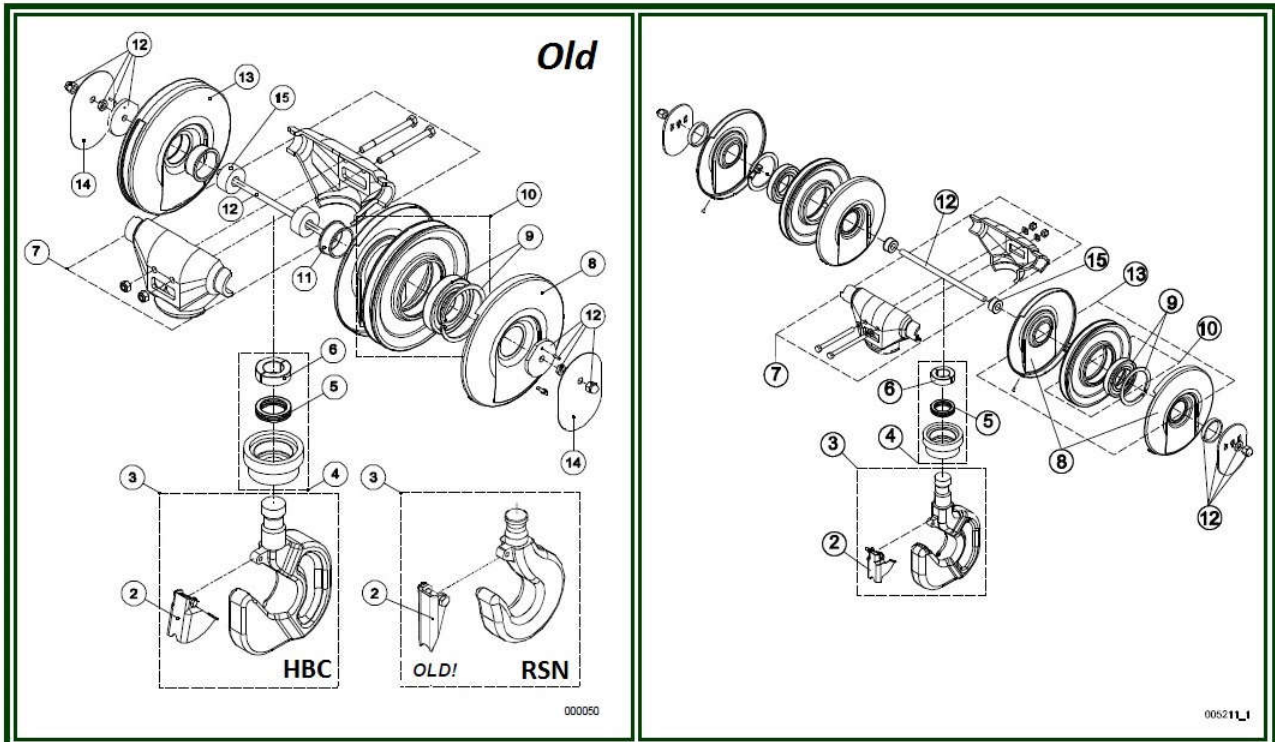


item	reference	description	observation	Quantity
1	<a href="#">VT0005032</a>	Overload device		1
2	<a href="#">VT0005053</a>	Micro switch		1
3	<a href="#">VT0004254</a>	Shaft set		1
4	<a href="#">VT0005026</a>	Fixing set		12
5	<a href="#">VT0000273</a>	Shaft set		1
6	<a href="#">VT0005027</a>	Screws set		1
7	<a href="#">VT0005033</a>	Cover plate		1

## 8) Hook - Rope reeving 04

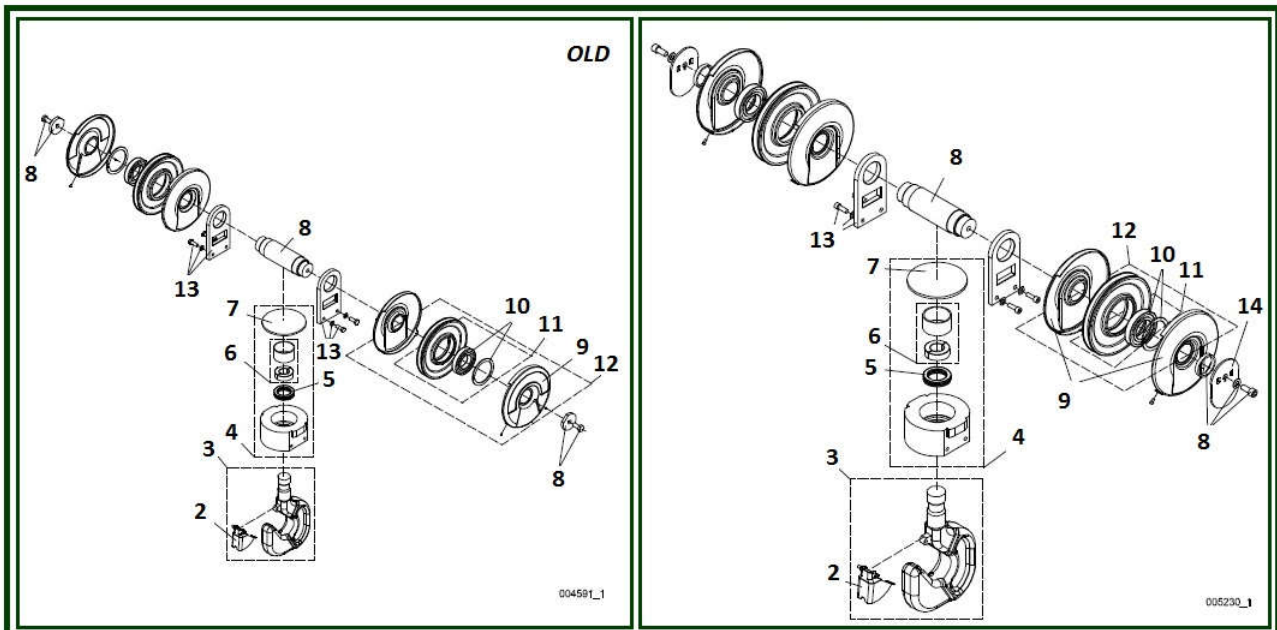


## 8.1) Less than or equal 10.000 Kg



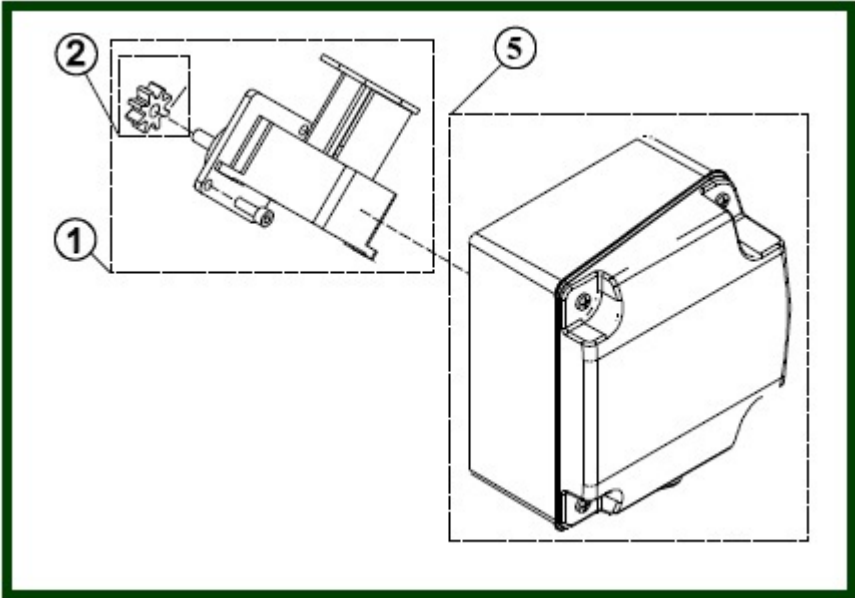
item	reference	description	observation	Quantity
1	<u>VT0001218</u>	Hook block		1
1	<u>VT0000368</u>	Hook block	Jusqu'à / To H0206303	1
2	<u>VT0000282</u>	Safety latch set	Jusqu'à / To H0206303 VT11072101	1
2	<u>VT0001219</u>	Safety latch set - HBC	A partir de / From H0206304	1
3	<u>VT0002595</u>	Hook		1
3	<u>VT0001244</u>	Hook - HBC		1
4	<u>VT0000297</u>	Bearing set		1
5	<u>VT0000295</u>	Bearing		1
6	<u>VT0000296</u>	Locking ring		1
7	<u>VT0001220</u>	Bearing housing	A partir de / From H0208143	1
7	<u>VT0000294</u>	Bearing housing	Jusqu'à / To H0208142	1
8	<u>VT0000298</u>	Side plate	Jusqu'à / To H0208142	2
8	<u>VT0003331</u>	Side plate set	A partir de / From H0208143 VT0001215	2
9	<u>VT0000289</u>	Bearing set		2
10	<u>VT0000875</u>	Rope sheave	VT0000685-VT0000269-VT0000684-VT0000690	2
11	<u>VT0000299</u>	Locking ring		1
12	<u>VT0001222</u>	Shaft set	A partir de / From H0208143	1
12	<u>VT0000300</u>	Shaft set	Jusqu'à / To H0208142	1
13	<u>VT0003341</u>	Rope sheave	A partir de / From H0208143 VT0001216	2
13	<u>VT0000367</u>	Rope sheave	Jusqu'à / To H0208142	2
14	<u>VT0000301</u>	Cover set	Jusqu'à / To H0208142	1
15	<u>VT0000302</u>	Locking ring	Jusqu'à / To H0208142	1
15	<u>VT0001223</u>	Sleeve	A partir de / From H0208143	2

## 8.2) Greater than 10.000 kg

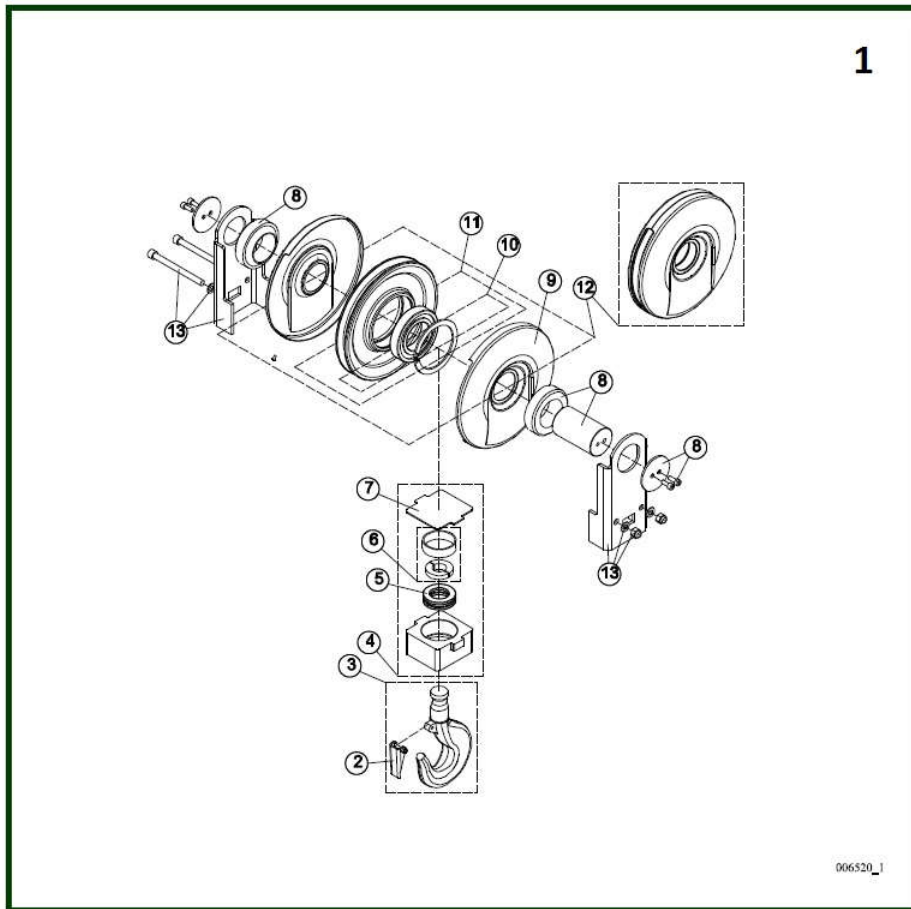


item	reference	description	observation	Quantity
1	<a href="#">VT0001224</a>	Hook assembly	VT0000872	1
2	<a href="#">VT0001219</a>	Safety latch set - HBC	A partir de / From H0206304	1
3	<a href="#">VT0000825</a>	HBC hook		1
4	<a href="#">VT0000680</a>	Bearing set		1
5	<a href="#">VT0000827</a>	Bearing		1
6	<a href="#">VT0000681</a>	Locking set		1
7	<a href="#">VT0000874</a>	Cover plate		1
8	<a href="#">VT0001225</a>	Shaft set	A partir de / From H0208143	1
8	<a href="#">VT0000873</a>	Shaft set	Jusqu'à / To H0208142	1
9	<a href="#">VT0000288</a>	Cover plate	Jusqu'à / To H0208142	1
9	<a href="#">VT0003331</a>	Side plate set	A partir de / From H0208143 VT0001215	2
10	<a href="#">VT0000289</a>	Bearing set		2
11	<a href="#">VT0000875</a>	Rope sheave	VT0000685-VT0000269-VT0000684-VT0000690	2
12	<a href="#">VT0003341</a>	Rope sheave	A partir de / From H0208143 VT0001216	2
12	<a href="#">VT0000367</a>	Rope sheave	Jusqu'à / To H0208142	2
13	<a href="#">VT0000876</a>	Cover plate		1
14	<a href="#">VT0001227</a>	Locking plate		2

**9) Hook - Before 2011**



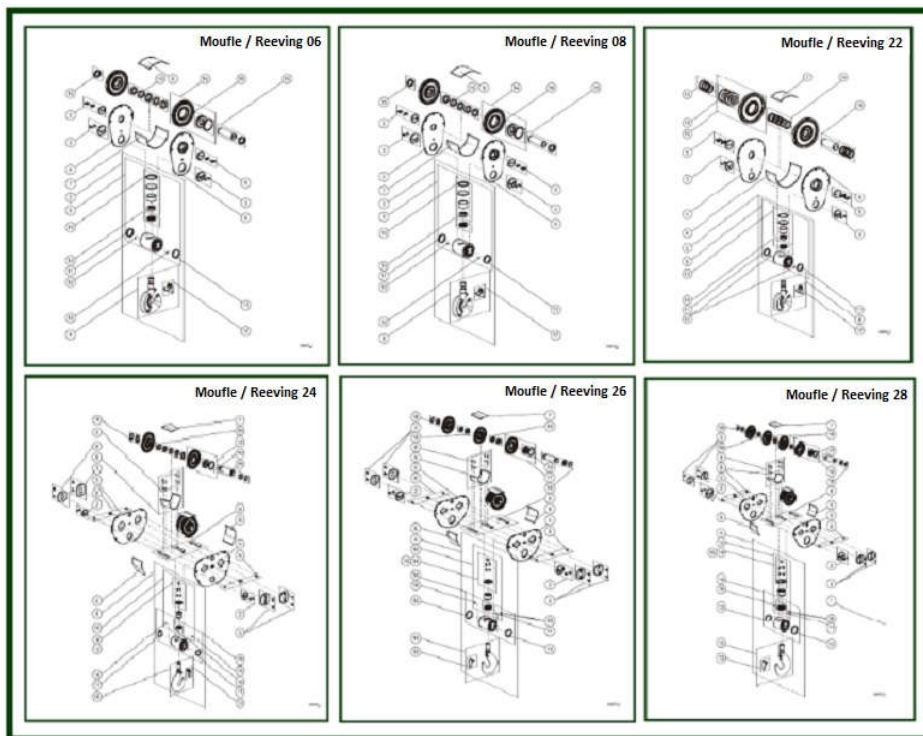
## 9.1) RSN hook - To H0206303



item	reference	description	observation	Quantity
1	<a href="#">VT0000644</a>	Hook block	Jusqu'à / To H0206303 VT0000281	1
2	<a href="#">VT0000282</a>	Safety latch set	Jusqu'à / To H0206303 VT11072101	1
3	<a href="#">VT0000283</a>	Hook	Jusqu'à / To H0206303	1
4	<a href="#">VT0000638</a>	Bearing set	A partir de / From H0105177	1
4	<a href="#">VT0000284</a>	Bearing set	Jusqu'à / To H0105176	1
5	<a href="#">VT0000155</a>	Thrust bearing		1
6	<a href="#">VT0000285</a>	Locking ring		1
7	<a href="#">VT0000645</a>	Cover	A partir de / From H0105177	1
7	<a href="#">VT0000286</a>	Cover	Jusqu'à / To H0105176	1
8	<a href="#">VT0000287</a>	Shaft set	Jusqu'à / To H0208142	1
9	<a href="#">VT0000288</a>	Cover plate	Jusqu'à / To H0208142	1
10	<a href="#">VT0000289</a>	Bearing set		1
11	<a href="#">VT0000875</a>	Rope sheave	VT0000685-VT0000269-VT0000684-VT0000690	1
12	<a href="#">VT0000367</a>	Rope sheave	Jusqu'à / To H0208142	1
13	<a href="#">VT0000639</a>	Rope sheave	A partir de / From H0105177	1
13	<a href="#">VT0000291</a>	Rope sheave	Jusqu'à / To H0105176	1

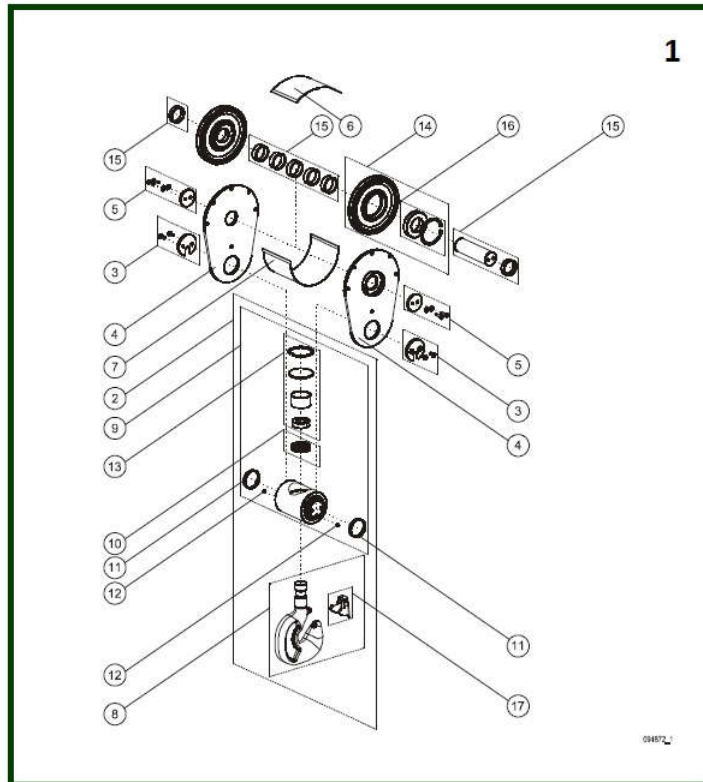
# 10) Hook - New model

Après / From 2011



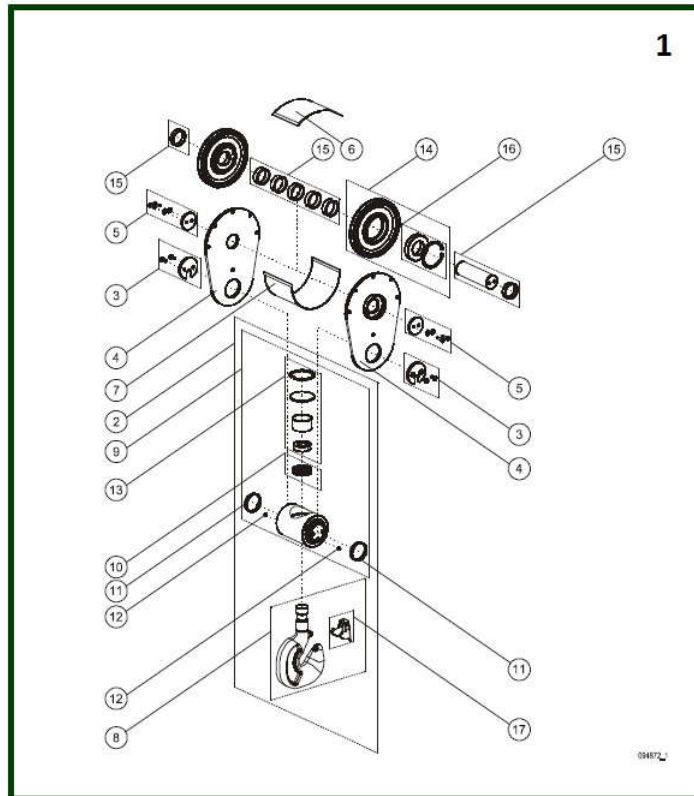


## 10.1) Reeving system 06



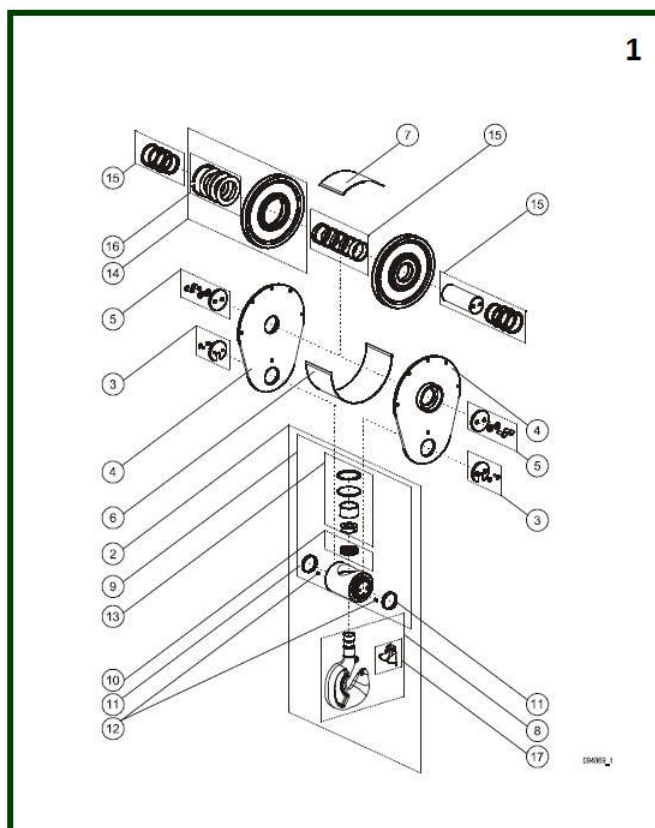
item	reference	description	observation	Quantity
1	<a href="#">VT0005044</a>	Hook block		1
2	<a href="#">VT0004268</a>	Hook assembly		1
3	<a href="#">VT0004208</a>	Fixing set		2
4	<a href="#">VT0004451</a>	Side plate		2
5	<a href="#">VT0004452</a>	Fixing set		2
6	<a href="#">VT0004291</a>	Cover plate		1
7	<a href="#">VT0004292</a>	Cover plate		1
8	<a href="#">VT0000825</a>	HBC hook		1
9	<a href="#">VT0004210</a>	Cross bar		1
10	<a href="#">VT0000827</a>	Bearing		1
11	<a href="#">VT0004450</a>	Radial sliding bearing		1
12	<a href="#">VT0004273</a>	Nipple	VT0003396	2
13	<a href="#">VT0004211</a>	Cover set		1
14	<a href="#">VT0000875</a>	Rope sheave	VT0000685-VT0000269-VT0000684-VT0000690	3
15	<a href="#">VT0005005</a>	Shaft set		1
16	<a href="#">VT0000689</a>	Bearing set		3
17	<a href="#">VT0001219</a>	Safety latch set - HBC	A partir de / From H0206304	1

## 10.2) Reeving system 08



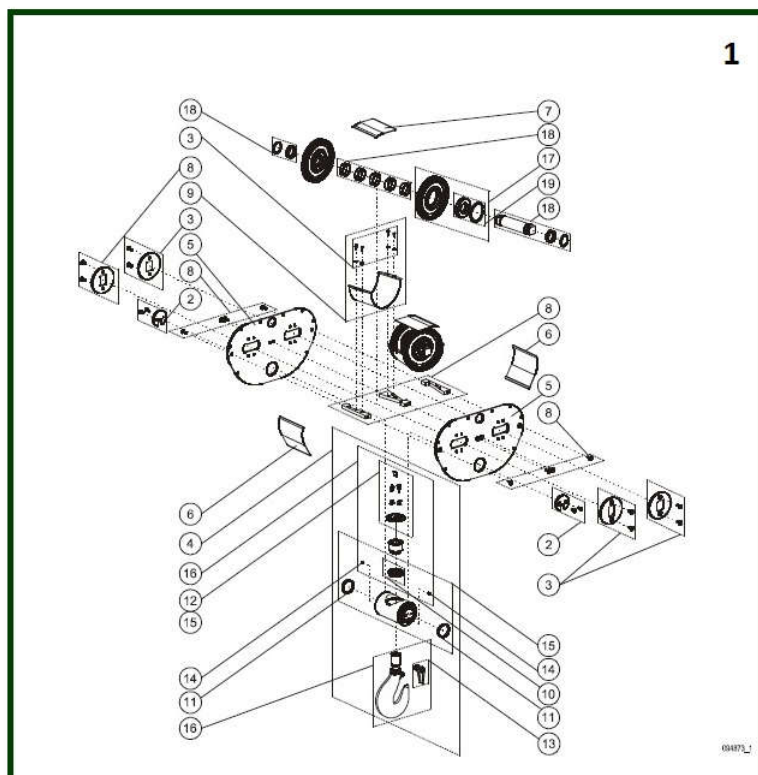
item	reference	description	observation	Quantity
1	<a href="#">VT0005045</a>	Hook block		1
2	<a href="#">VT0004268</a>	Hook assembly		1
3	<a href="#">VT0004208</a>	Fixing set		2
4	<a href="#">VT0004451</a>	Side plate		2
5	<a href="#">VT0004452</a>	Fixing set		2
6	<a href="#">VT0004291</a>	Cover plate		1
7	<a href="#">VT0004292</a>	Cover plate		1
8	<a href="#">VT0000825</a>	HBC hook		1
9	<a href="#">VT0004210</a>	Cross bar		1
10	<a href="#">VT0000827</a>	Bearing		1
11	<a href="#">VT0004450</a>	Radial sliding bearing		1
12	<a href="#">VT0004273</a>	Nipple	VT0003396	2
13	<a href="#">VT0004211</a>	Cover set		1
14	<a href="#">VT0000875</a>	Rope sheave	VT0000685-VT0000269-VT0000684-VT0000690	4
15	<a href="#">VT0005006</a>	Shaft set		1
16	<a href="#">VT0000689</a>	Bearing set		4
17	<a href="#">VT0001219</a>	Safety latch set - HBC	A partir de / From H0206304	1

## 10.3) Reeving system 22



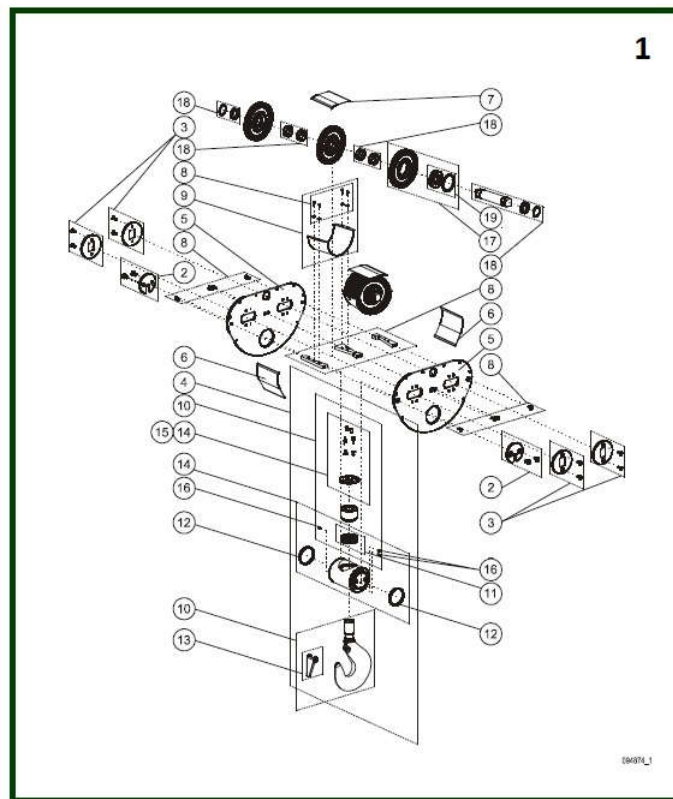
item	reference	description	observation	Quantity
1	<a href="#">VT0005093</a>	Hook block		1
2	<a href="#">VT0005094</a>	Hook assembly		1
3	<a href="#">VT0004208</a>	Fixing set		2
4	<a href="#">NCP_L</a>	Side plate		2
5	<a href="#">VT0005007</a>	Fixing set		2
6	<a href="#">NCPDR</a>	Cover plate		1
7	<a href="#">NCPDR1</a>	Cover plate		1
8	<a href="#">VT0002524</a>	Hook		1
9	<a href="#">VT0005008</a>	Cross bar		1
10	<a href="#">VT0000758</a>	Bearing		1
11	<a href="#">VT0004272</a>	Radial sliding bearing		1
12	<a href="#">VT0004273</a>	Nipple	VT0003396	2
13	<a href="#">VT0005009</a>	Cover set		1
14	<a href="#">VT0000133</a>	Rope sheave	VT0000805-VT0000803-VT0000804	4
15	<a href="#">VT0005010</a>	Shaft set		1
16	<a href="#">VT0000149</a>	Bearing set		4
17	<a href="#">VT0001211</a>	Safety latch set	A partir / From H0211001	1

## 10.4) Reeving system 24



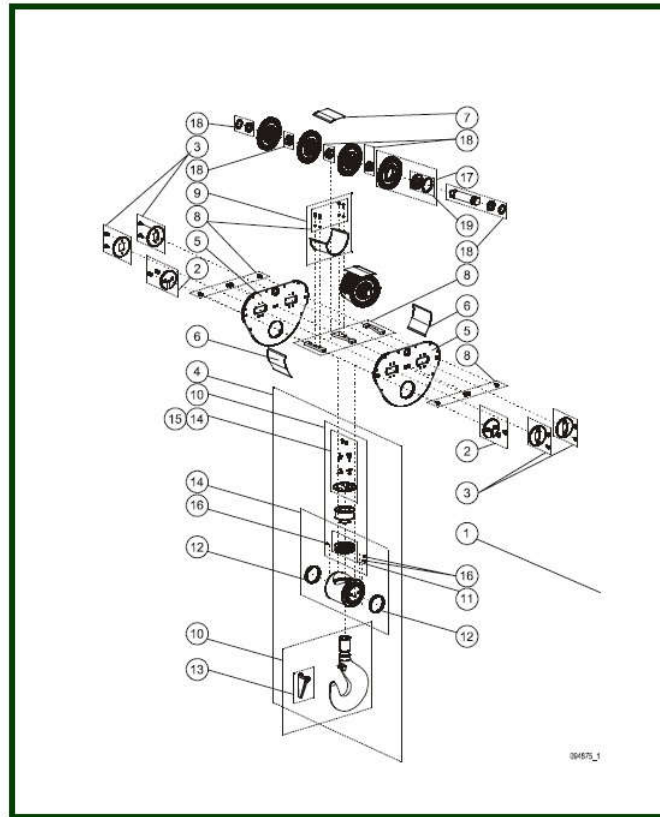
item	reference	description	observation	Quantity
1	<a href="#">VT0005570</a>	Hook block		1
1	<a href="#">VT0005046</a>	Hook block		1
2	<a href="#">VT0004208</a>	Fixing set		2
3	<a href="#">VT0005011</a>	Locking set		4
4	<a href="#">VT0004305</a>	Hook assembly		1
5	<a href="#">VT0005047</a>	Side plate		2
5	<a href="#">VT0005051</a>	Side plate		2
6	<a href="#">VT0005048</a>	Cover plate		2
7	<a href="#">VT0005049</a>	Cover plate		2
8	<a href="#">VT0005012</a>	Cover set		2
9	<a href="#">VT0005013</a>	Cover set		2
10	<a href="#">VT0002923</a>	Bearing		1
11	<a href="#">VT0004450</a>	Radial sliding bearing		1
12	<a href="#">VT0004230</a>	Locking set		1
13	<a href="#">VT0004298</a>	Safety latch		1
14	<a href="#">VT0004273</a>	Nipple	VT0003396	3
15	<a href="#">VT0004236</a>	Cross bar		1
16	<a href="#">VT0004232</a>	Hook and nut		1
17	<a href="#">VT0000133</a>	Rope sheave	VT0000805-VT0000803-VT0000804	4
18	<a href="#">VT0005014</a>	Shaft set		2
19	<a href="#">VT0000149</a>	Bearing set		4

## 10.5) Reeving system 26



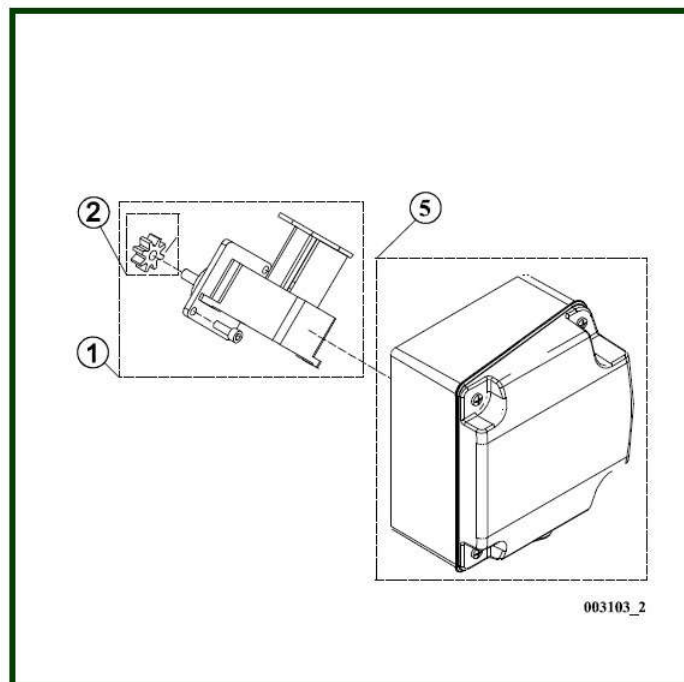
item	reference	description	observation	Quantity
1	<a href="#">VT0005050</a>	Hook block		1
2	<a href="#">VT0004208</a>	Fixing set		2
3	<a href="#">VT0005011</a>	Locking set		4
4	<a href="#">VT0004305</a>	Hook assembly		1
5	<a href="#">VT0005051</a>	Side plate		2
6	<a href="#">VT0005048</a>	Cover plate		2
7	<a href="#">VT0005049</a>	Cover plate		2
8	<a href="#">VT0005012</a>	Cover set		1
9	<a href="#">VT0005013</a>	Cover set		2
10	<a href="#">VT0004232</a>	Hook and nut		1
11	<a href="#">VT0002923</a>	Bearing		1
12	<a href="#">VT0004450</a>	Radial sliding bearing		1
13	<a href="#">VT0004298</a>	Safety latch		1
14	<a href="#">VT0004236</a>	Cross bar		1
15	<a href="#">VT0004230</a>	Locking set		1
16	<a href="#">VT0004273</a>	Nipple	VT0003396	3
17	<a href="#">VT0000133</a>	Rope sheave	VT0000805-VT0000803-VT0000804	6
18	<a href="#">VT0005015</a>	Shaft set		2
19	<a href="#">VT0000149</a>	Bearing set		6

## 10.6) Reeving system 28

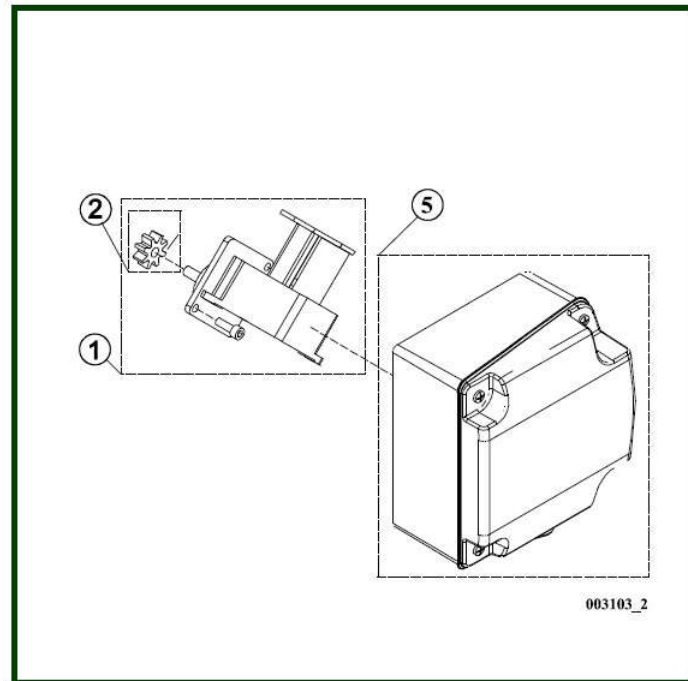


item	reference	description	observation	Quantity
1	<a href="#">VT0005095</a>	Hook block		1
2	<a href="#">VT0004208</a>	Fixing set		2
3	<a href="#">VT0005011</a>	Locking set		4
4	<a href="#">VT0004305</a>	Hook assembly		1
5	<a href="#">VT0005051</a>	Side plate		2
6	<a href="#">VT0005048</a>	Cover plate		2
7	<a href="#">VT0005049</a>	Cover plate		2
8	<a href="#">VT0005012</a>	Cover set		1
9	<a href="#">VT0005013</a>	Cover set		2
10	<a href="#">VT0004232</a>	Hook and nut		1
11	<a href="#">VT0002923</a>	Bearing		1
12	<a href="#">VT0004450</a>	Radial sliding bearing		1
13	<a href="#">VT0004298</a>	Safety latch		1
14	<a href="#">VT0004236</a>	Cross bar		1
15	<a href="#">VT0004230</a>	Locking set		1
16	<a href="#">VT0004273</a>	Nipple	VT0003396	3
17	<a href="#">VT0000133</a>	Rope sheave	VT0000805-VT0000803-VT0000804	8
18	<a href="#">VT0005016</a>	Shaft set		4
19	<a href="#">VT0000149</a>	Bearing set		8

## 11) Hoisting limit switch



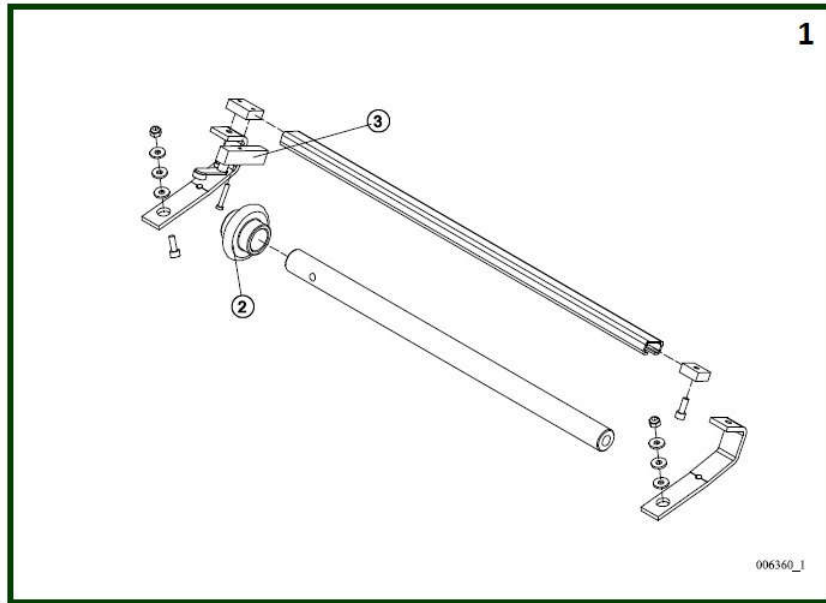
## 11.1) Hoisting limit switch



item	reference	description	observation	Quantity
1	<u>VT0000425</u>	Limit switch	Longueur de tambour / Hoist drum length : D-E	1
1	<u>VT0000545</u>	Rotary limit switch	Longueur de tambour / Hoist drum length : F-G-H-J	1
2	<u>VT0000304</u>		GEAR WHEEL SET/LOT PIGNON	1
5	<u>VT0002465</u>	Junction box		1

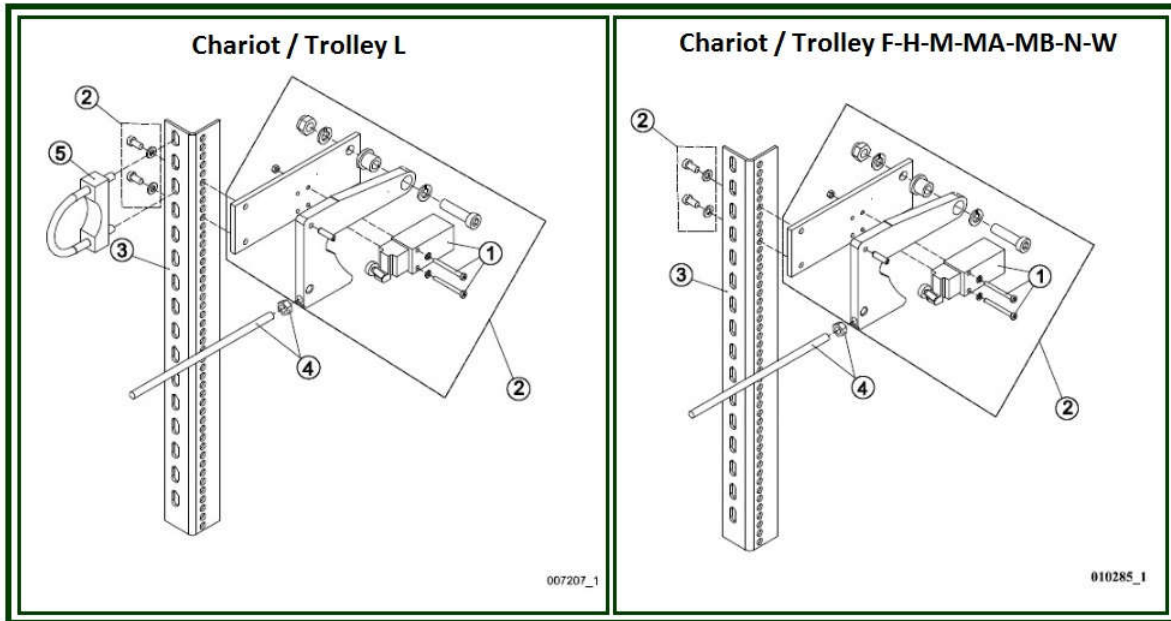


## 11.2) Hazardous areas C1D2 - ZONE 1 - ZONE 2



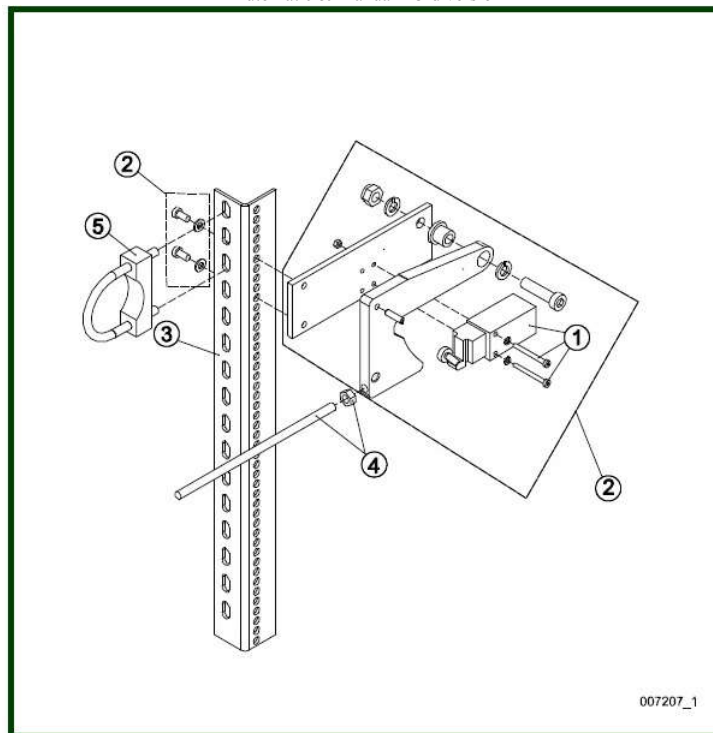
item	reference	description	observation	Quantity
1	<u>VT0002049</u>	Complete limit switch	Longueur tambour / Hoist drum length : D	1
1	<u>VT0002050</u>	Complete limit switch	Longueur tambour / Hoist drum length : E	1
1	<u>VT0002051</u>	Complete limit switch	Longueur tambour / Hoist drum length : F	1
1	<u>VT0002052</u>	Complete limit switch	Longueur tambour / Hoist drum length : G	1
1	<u>VT0002053</u>	Complete limit switch	Longueur tambour / Hoist drum length : H	1
1	<u>VT0002054</u>	Complete limit switch	Longueur tambour / Hoist drum length : J	1
2	<u>VT0002055</u>	Wheel		1
3	<u>VT0002041</u>	Limit switch		2

## 12) Hook operated limit switch



## 12.1) Trolley type L - Before 2011

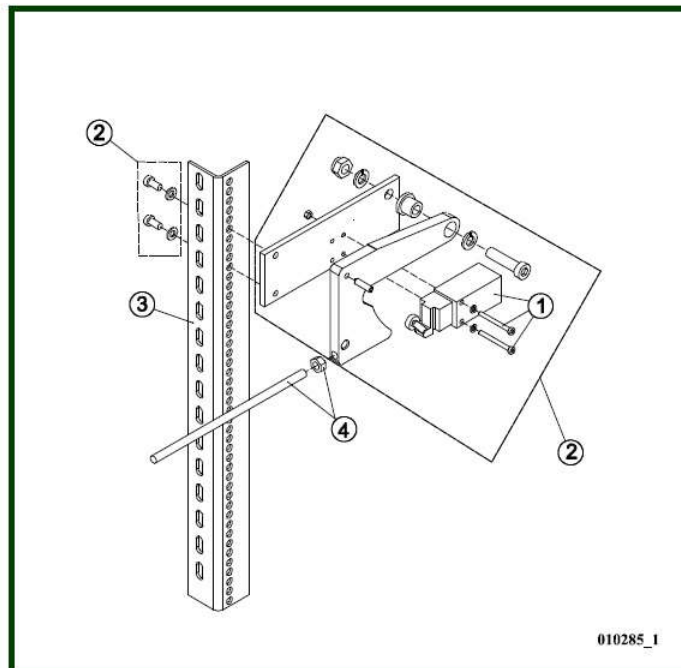
Automatic & Manual - Old version



item	reference	description	observation	Quantity
1	<a href="#">VT0002157</a>	Limit switch	Automatic	1
1	<a href="#">VT0002158</a>	Limit switch	Manual	1
2	<a href="#">VT0002375</a>	Limit switch equipment	Automatic	1
2	<a href="#">VT0002376</a>	Limit switch equipment	Manual	1
3	<a href="#">VT0002162</a>	Profilé	L	1
4	<a href="#">VT0002163</a>	Limit switch bar		1
5	<a href="#">VT0002165</a>	Clamp	Chassis C - Chariot L Frame size C - Trolley type L	1

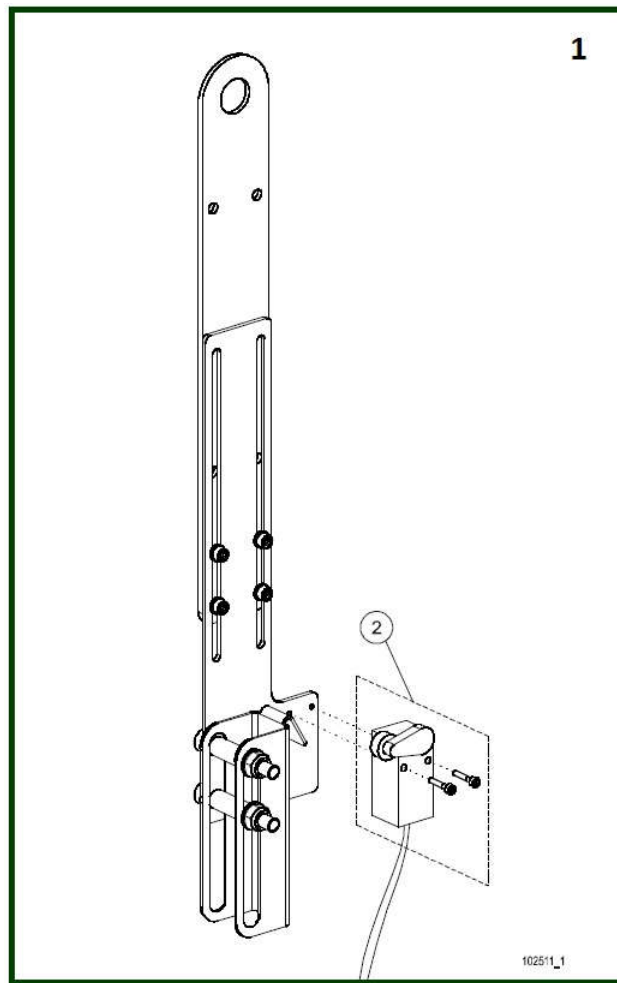
## 12.2) Trolley type F-H-M-MA-MB-N-W -Before 2011

Automatic & Manual - Old version



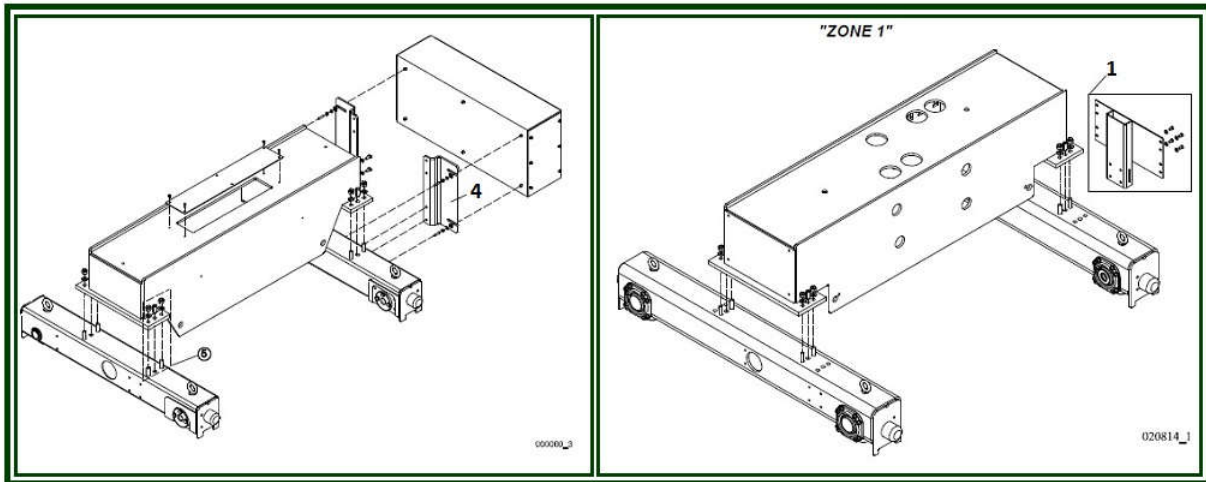
item	reference	description	observation	Quantity
1	<u>VT0002157</u>	Limit switch	Automatic	1
1	<u>VT0002158</u>	Limit switch	Manual	1
2	<u>VT0002375</u>	Limit switch equipment	Automatic	1
2	<u>VT0002376</u>	Limit switch equipment	Manual	1
3	<u>VT0002405</u>	Support Arm	VT1-VT2-VT3 - Mouflage / Reeving system 22-24-26-28 - Chariot / Trolley M VT4 - Mouflage / Reeving system 04-06-08 - Chariot / Trolley N	1
4	<u>VT0002163</u>	Limit switch bar		1

### 12.3) New model - After 2011



item	reference	description	observation	Quantity
1	<u>VT0006067</u>	Limit switch equipment	Système de mouflage / Reeving system 02-04-06-08-22-24-26-28	1
1	<u>VT0006070</u>	Limit switch equipment	Système de mouflage / Reeving system 02-04-06-08-22-24-26-28 Zone dangereuse/ Hazardous areas C1D2 - Zone 1 - Zone 2	1
2	<u>VT0006065</u>	Limit switch	Système de mouflage / Reeving system 02-04-06-08-22-24-26-28	1
2	<u>VT0006066</u>	Limit switch	Système de mouflage / Reeving system 02-04-06-08-22-24-26-28 Zone dangereuse/ Hazardous areas C1D2 - Zone 1 - Zone 2	1

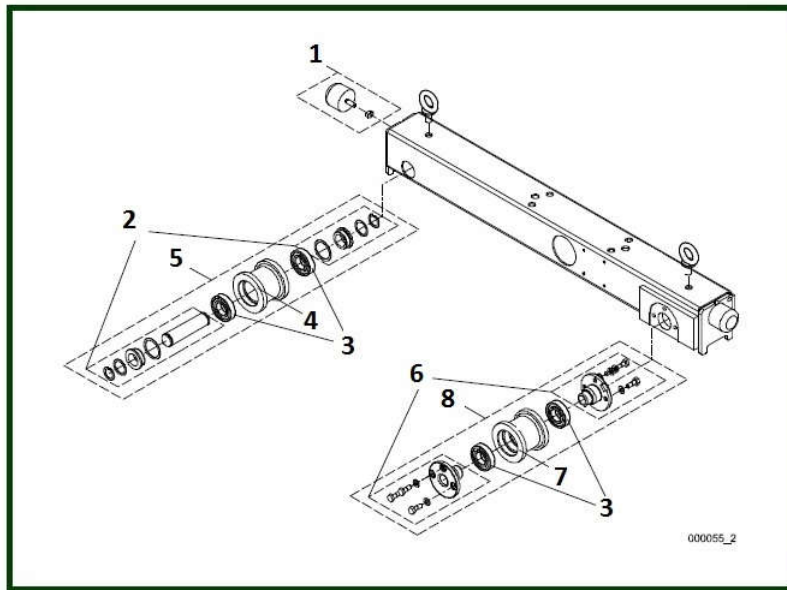
### 13) Trolley type H-M-MA-W



item	reference	description	observation	Quantity
4	<a href="#">VT0000311</a>	Support	Chariot / Trolley H-M-MA	2
4	<a href="#">VT0000678</a>	Support	Chariot / Trolley W	2
4	<a href="#">VT0002027</a>	Support	Zone 1	2
5	<a href="#">VT0000312</a>	Fixing set		1

### 13.1) End carriage - To H0315167

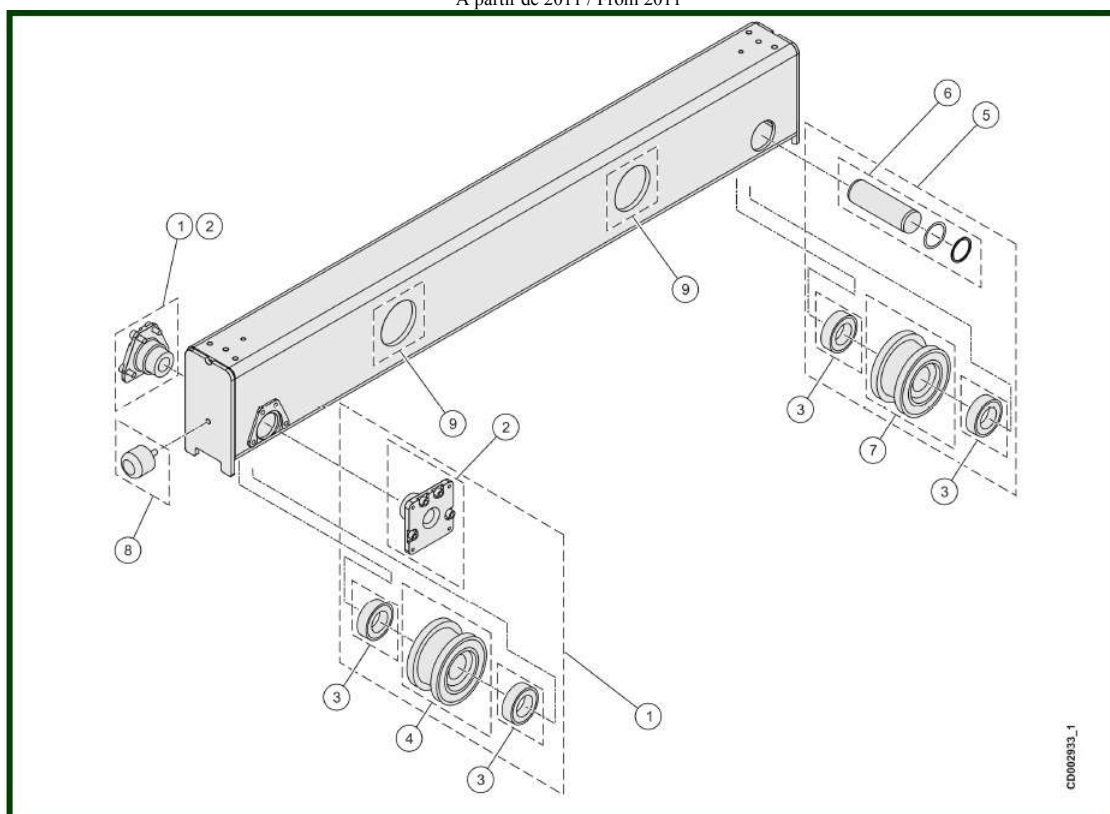
Old



item	reference	description	observation	Quantity
1	<a href="#">VT0000877</a>	Buffer	Système de mouflage / Reeving system 02-04 D1801 - VT2 & VT3- A partir / From H0315168	2
1	<a href="#">VT0000314</a>	Buffer	Système de mouflage / Reeving system 06-08-22-24-26-28	2
2	<a href="#">VT0000315</a>	Shaft set	VT0000316	2
3	<a href="#">VT0000317</a>	Bearing		4
4	<a href="#">VT0000747</a>	Travel wheel	Lg / th 65	2
4	<a href="#">VT0000748</a>	Travel wheel	Lg / th 70	2
5	<a href="#">VT0001929</a>	Complete travel wheel	Lg / th 50 - CrMo	2
5	<a href="#">VT0001928</a>	Complete travel wheel	Lg / th 55 - CrMo	2
5	<a href="#">VT0001931</a>	Complete travel wheel	Lg / th 60 - CrMo	2
5	<a href="#">VT0001932</a>	Complete travel wheel	Lg / th 65 - CrMo	2
5	<a href="#">VT0000318</a>	Complete travel wheel	Lg / th 65 - VT0000319	2
5	<a href="#">VT0000749</a>	Complete travel wheel	Lg / th 70	2
5	<a href="#">VT0001933</a>	Complete travel wheel	Lg / th 70 - CrMo	2
6	<a href="#">VT0000320</a>	End flange		2
7	<a href="#">VT0000750</a>	Driving wheel	Lg / th 65	2
7	<a href="#">VT0000751</a>	Driving wheel	Lg / th 70	2
8	<a href="#">VT0001936</a>	Complete driving wheel	Lg / th 50 - CrMo	2
8	<a href="#">VT0001935</a>	Complete driving wheel	Lg / th 55 - CrMo	2
8	<a href="#">VT0001937</a>	Complete driving wheel	Lg / th 60 - CrMo	2
8	<a href="#">VT0001938</a>	Complete driving wheel	Lg / th 65 - CrMo	2
8	<a href="#">VT0000321</a>	Complete driving wheel	Lg / th 65 - VT0000322	2
8	<a href="#">VT0000752</a>	Complete driving wheel	Lg / th 70	2
8	<a href="#">VT0001939</a>	Complete driving wheel	Lg / th 70 - CrMo	2

## 13.2) End carriage EB-EC

A partir de 2011 / From 2011

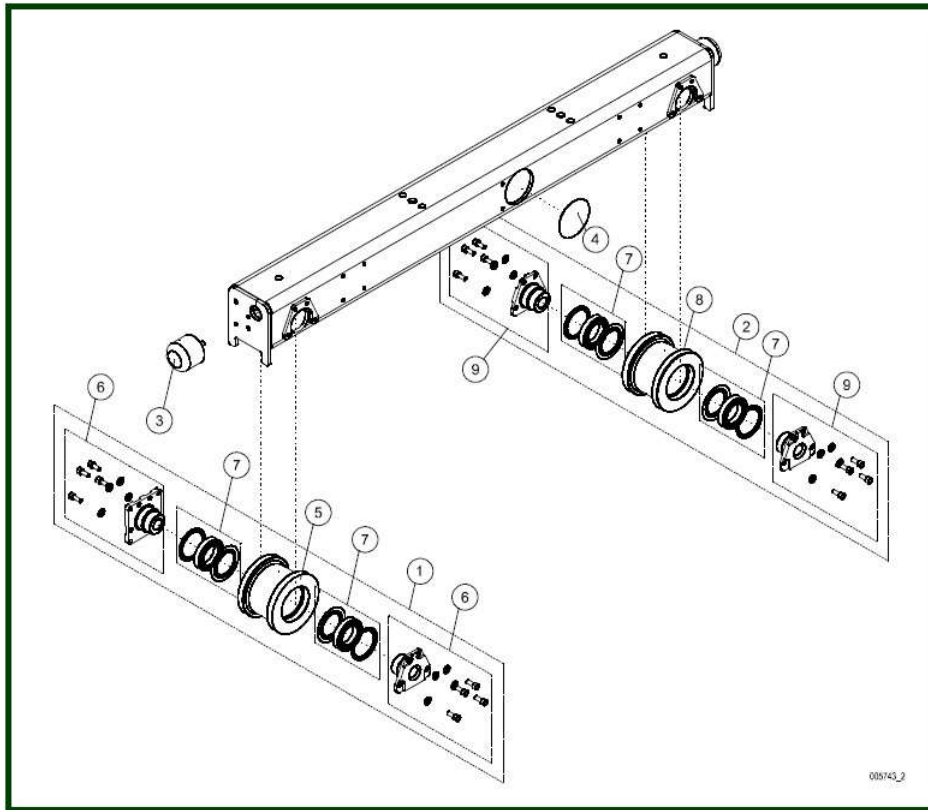


item	reference	description	observation	Quantity
1	<a href="#">VT0003479</a>	Wheel driving set		1
1	<a href="#">VT0001578</a>	Wheel driving set	Lg / th 50 - A partir / From H0315168	1
1	<a href="#">VT0001579</a>	Wheel driving set	Lg / th 55 - A partir / From H0315168	1
1	<a href="#">VT0001580</a>	Wheel driving set	Lg / th 60 - A partir / From H0315168	1
1	<a href="#">VT0001581</a>	Wheel driving set	Lg / th 65 - A partir / From H0315168	1
1	<a href="#">VT0001582</a>	Wheel driving set	Lg / th 70 - A partir / From H0315168	1
1	<a href="#">VT0001583</a>	Wheel driving set	Lg / th 75 - A partir / From H0315168	1
1	<a href="#">VT0003862</a>	Wheel driving set	Lg / th 80	1
1	<a href="#">VT0003863</a>	Wheel driving set	Lg / th 85	1
2	<a href="#">VT0005004</a>	Bearing housing		1
2	<a href="#">VT0001338</a>	Fixing set	A partir / From H0315168	2
3	<a href="#">VT0001585</a>	Bearing set	A partir / From H0315168	2
4	<a href="#">VT0003490</a>	Travel wheel	EB11-EC11	1
4	<a href="#">VT0002584</a>	Travel wheel	Lg / th 50 - A partir / From H0315168 EB11-EC11	1
4	<a href="#">VT0002585</a>	Travel wheel	Lg / th 55 - A partir / From H0315168 EB11-EC11	1
4	<a href="#">VT0002586</a>	Travel wheel	Lg / th 60 - A partir / From H0315168 EB11-EC11	1
4	<a href="#">VT0002345</a>	Travel wheel	Lg / th 65 - A partir / From H0315168 EB11-EC11	1
4	<a href="#">VT0002587</a>	Travel wheel	Lg / th 70 - A partir / From H0315168 EB11-EC11	1
4	<a href="#">VT0002588</a>	Travel wheel	Lg / th 75 - A partir / From H0315168 EB11-EC11	1
4	<a href="#">VT0003864</a>	Travel wheel	Lg / th 80 EB11-EC11	1
4	<a href="#">VT0003865</a>	Travel wheel	Lg / th 85 EB11-EC11	1
5	<a href="#">VT0001586</a>	Idle wheel set	Lg / th 50 - A partir / From H0315168	1
5	<a href="#">VT0001587</a>	Idle wheel set	Lg / th 55 - A partir / From H0315168	1
5	<a href="#">VT0001588</a>	Idle wheel set	Lg / th 60 - A partir / From H0315168	1
5	<a href="#">VT0001589</a>	Idle wheel set	Lg / th 65 - A partir / From H0315168	1
5	<a href="#">VT0001590</a>	Idle wheel set	Lg / th 70 - A partir / From H0315168	1
5	<a href="#">VT0001591</a>	Idle wheel set	Lg / th 75 - A partir / From H0315168	1



5	<u>VT0003866</u>	Idle wheel set	Lg / th 80	1
5	<u>VT0003867</u>	Idle wheel set	Lg / th 85	1
6	<u>VT0001592</u>	Shaft set	A partir / From H0315168	1
6	<u>VT0003808</u>	Shaft set	EB-EC Chassis / Frame VT2 - VT3	1
6	<u>VT0003807</u>	Shaft set	EBN-ECN	1
7	<u>VT0002589</u>	Idle wheel	Lg / th 50 - A partir / From H0315168	1
7	<u>VT0002873</u>	Idle wheel	Lg / th 55 - A partir / From H0315168	1
7	<u>VT0002590</u>	Idle wheel	Lg / th 60 - A partir / From H0315168	1
7	<u>VT0002346</u>	Idle wheel	Lg / th 65 - A partir / From H0315168	1
7	<u>VT0002591</u>	Idle wheel	Lg / th 70 - A partir / From H0315168	1
7	<u>VT0002592</u>	Idle wheel	Lg / th 75 - A partir / From H0315168	1
7	<u>VT0003868</u>	Idle wheel	Lg / th 80 - A partir / From H0315168	1
7	<u>VT0003869</u>	Idle wheel	Lg / th 85 - A partir / From H0315168	1
8	<u>VT0001033</u>	Buffer	80x68 - D2240 - B - Sommier / End carriage GT A partir / From H0315168	2
8	<u>VT0001730</u>	Buffer	100x85-12x30 - D2241 - C - Sommier / End carriage GT A partir / From H0315168	2
8	<u>VT0000877</u>	Buffer	Système de mouflage / Reeving system 02-04 D1801 - VT2 & VT3- A partir / From H0315168	2
8	<u>VT0004003</u>	Polyurethane buffer	80x80	2
8	<u>VT0001722</u>	Polyurethane buffer	100x100-12x40 E - Sommier / End carriage GT	2
8	<u>VT0001723</u>	Polyurethane buffer	100x150-12X40 E - Sommier / End carriage GT	2
9	<u>VT0004355</u>	Cap	Ø 100	4

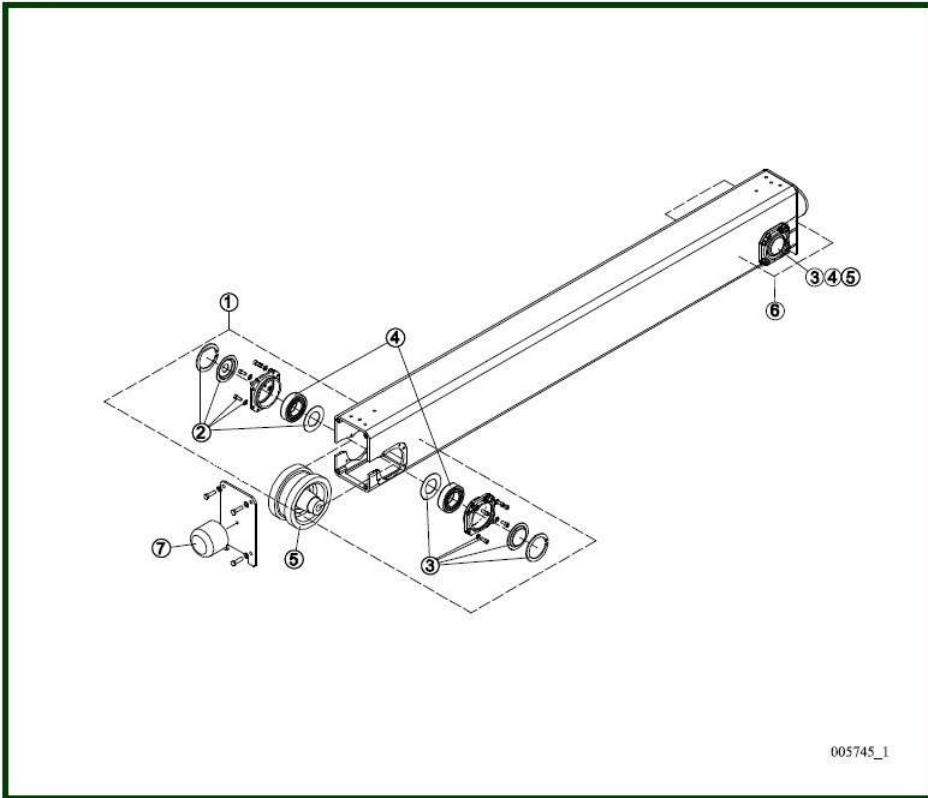
### 13.3) End carriage EB-EC-ECN



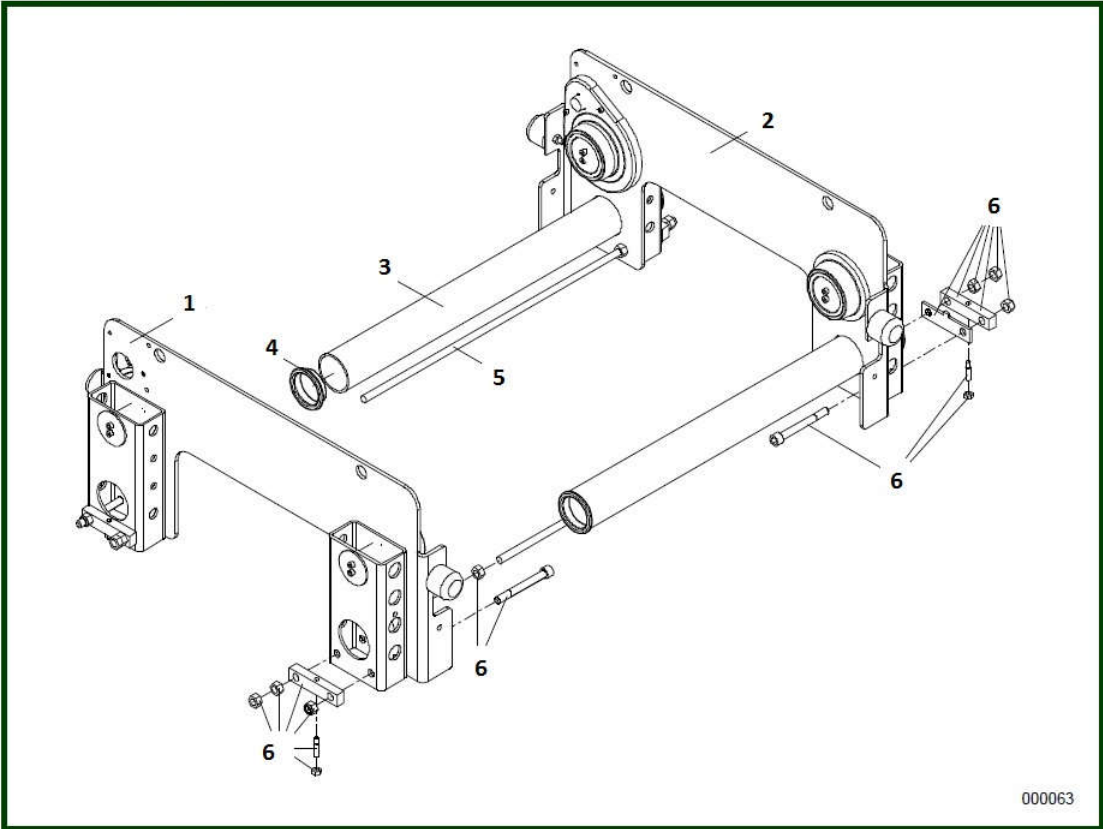
item	reference	description	observation	Quantity
1	<a href="#">VT0003480</a>	Wheel driving set		1
1	<a href="#">VT0001593</a>	Wheel driving set	Lg / th 50 - VT3 - A partir / From H0315168	1
1	<a href="#">VT0001594</a>	Wheel driving set	Lg / th 55 - VT3 - A partir / From H0315168	1
1	<a href="#">VT0001595</a>	Wheel driving set	Lg / th 60 - VT3 - A partir / From H0315168	1
1	<a href="#">VT0001596</a>	Wheel driving set	Lg / th 65 - VT3 - A partir / From H0315168	1
1	<a href="#">VT0001597</a>	Wheel driving set	Lg / th 70 - VT3 - A partir / From H0315168	1
1	<a href="#">VT0001598</a>	Wheel driving set	Lg / th 75 - VT3 - A partir / From H0315168	1
1	<a href="#">VT0003503</a>	Wheel driving set	Lg / th 80 - VT3	1
1	<a href="#">VT0003504</a>	Wheel driving set	Lg / th 85 - VT3	1
2	<a href="#">VT0001600</a>	Wheel idle set	Lg / th 50 - VT3 - A partir / From H0315168	1
2	<a href="#">VT0001601</a>	Wheel idle set	Lg / th 55 - VT3 - A partir / From H0315168	1
2	<a href="#">VT0001602</a>	Wheel idle set	Lg / th 60 - VT3 - A partir / From H0315168	1
2	<a href="#">VT0001603</a>	Wheel idle set	Lg / th 65 - VT3 - A partir / From H0315168	1
2	<a href="#">VT0001604</a>	Wheel idle set	Lg / th 70 - VT3 - A partir / From H0315168	1
2	<a href="#">VT0001605</a>	Wheel idle set	Lg / th 75 - VT3 - A partir / From H0315168	1
2	<a href="#">VT0003505</a>	Wheel idle set	Lg / th 80 - VT3	1
2	<a href="#">VT0003506</a>	Wheel idle set	Lg / th 85 - VT3	1
3	<a href="#">VT0001033</a>	Buffer	80x68 - D2240 - B - Sommier / End carriage GT A partir / From H0315168	2
3	<a href="#">VT0001730</a>	Buffer	100x85-12x30 - D2241 - C - Sommier / End carriage GT A partir / From H0315168	2
3	<a href="#">VT0001731</a>	Buffer	D2242	2
3	<a href="#">VT0000877</a>	Buffer	Système de mouflage / Reeving system 02-04 D1801 - VT2 & VT3- A partir / From H0315168	2
4	<a href="#">VT0004355</a>	Cap	Ø 100	2
5	<a href="#">VT0003492</a>	Wheel driving		1
5	<a href="#">VT0001998</a>	Wheel driving	Lg / th 50	1
5	<a href="#">VT0001999</a>	Wheel driving	Lg / th 55	1
5	<a href="#">VT0002000</a>	Wheel driving	Lg / th 60	1
5	<a href="#">VT0002001</a>	Wheel driving	Lg / th 65	1
5	<a href="#">VT0002002</a>	Wheel driving	Lg / th 70	1
5	<a href="#">VT0002003</a>	Wheel driving	Lg / th 75	1
5	<a href="#">VT0002314</a>	Wheel driving	Lg / th 80	1

5	<u>VT0002315</u>	Wheel driving	Lg / th 85	1
6	<u>VT0004356</u>	Fixing set		1
6	<u>VT0001606</u>	Fixing set	A partir / From H0315168	1
7	<u>VT0001599</u>	Bearing set	VT3 - EC - A partir / From H0315168	2
8	<u>VT0002365</u>	Travel wheel	Lg / th 50 - A partir / From H0315168	1
8	<u>VT0002366</u>	Travel wheel	Lg / th 55 - A partir / From H0315168	1
8	<u>VT0002367</u>	Travel wheel	Lg / th 60 - A partir / From H0315168	1
8	<u>VT0002343</u>	Travel wheel	Lg / th 65 - A partir / From H0315168	1
8	<u>VT0002348</u>	Travel wheel	Lg / th 70 - A partir / From H0315168	1
8	<u>VT0002368</u>	Travel wheel	Lg / th 75 - A partir / From H0315168	1
8	<u>VT0002918</u>	Travel wheel	Lg / th 80 - A partir / From H0315168	1
8	<u>VT0002919</u>	Travel wheel	Lg / th 85 - A partir / From H0315168	1
9	<u>VT0004357</u>	Bearing house		1

### 13.4) End carriage EC



**14) Trolley type L**



000063