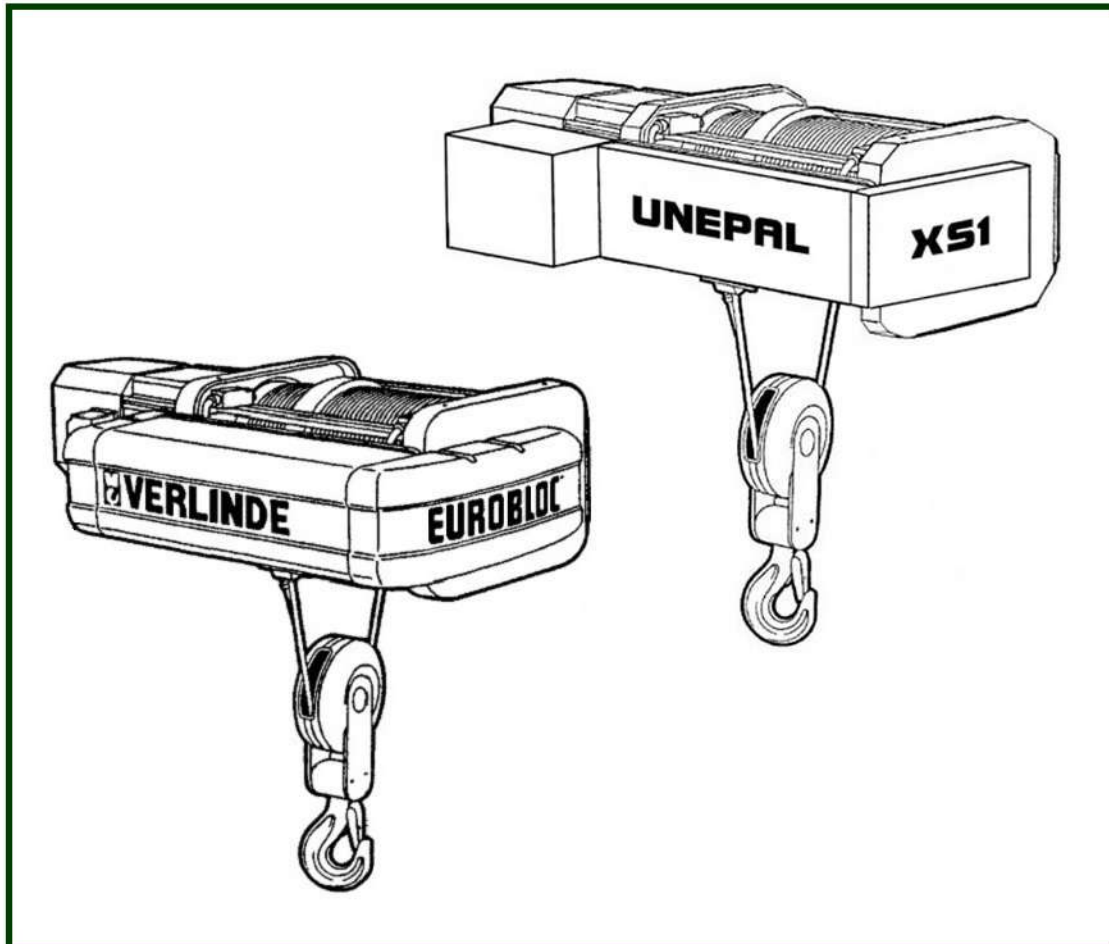


## Spare parts catalog for "VS1-XS1"

To avoid errors, when ordering please specify:

- Complete type of hoist
- Date of manufacture and serial number
- Spare part code
- Spare part designation
- Additional information



### **0) VS HOIST CODIFICATION**

#### **1) COVERS**

- 1.1) Covers for VS1
- 1.2) Covers for XS1

#### **2) FRAME**

#### **3) ROPE DRUM**

- 3.1) Precut rope

#### **4) GEAR**

### **5) ROPE ANCHORAGE SUSPENSION - 2 FALLS**

#### **6) ROPE SHEAVE UNIT - 4 ROPED**

### **7) OVERLOAD PROTECTION FM-NHT-LHT - TO MARCH 1999**

### **8) OVERLOAD PROTECTION FM-NHT-LHT - SINCE APRIL 1999**

- 8.1) Electr. + mechanical + HALL sensor

#### **9) SPRING TABLE - VS1**

#### **10) LIFTING HOOK - 1 ROPED**

#### **11) LIFTING HOOK - 2 ROPED**

#### **12) LIFTING HOOK - 4 ROPED**

#### **13) LIFTING HOOK - 4/2 ROPED**

#### **14) LOW HEADROOM TROLLEY - LHT**

#### **15) NORMAL HEADROOM TROLLEY - NHT**

### **16) MOTORGARBOX FOR MONORAIL HOIST NHT AND LHT**

#### **17) SWIVELLING TROLLEY**

#### **18) ELECTRICAL PARTS**

### **19) MOUNTING AND CHOOSING THE CAME SELECTOR**

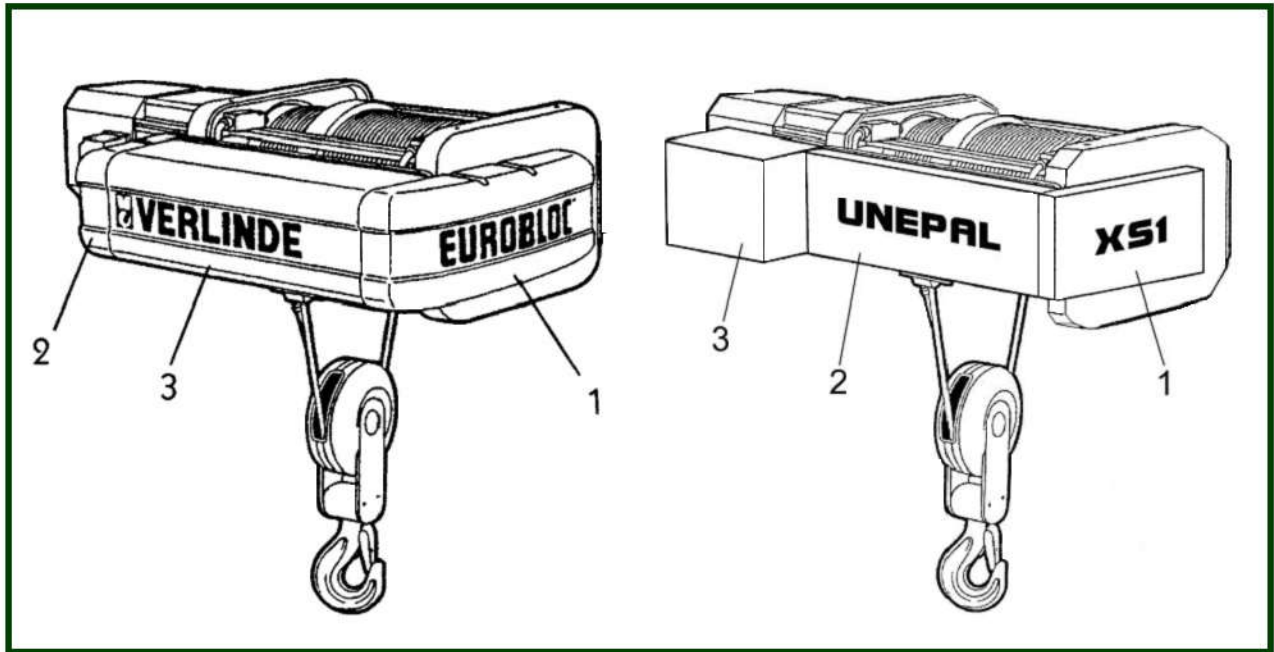
# 0) VS hoist codification

ABREVIATIONS		ABBREVIATIONS	
(Palan)Fixe	F	Foot Mounted hoist	FM
Chariot à Hauteur Perdue Normale	HPN	Normal Headroom Trolley	NHT
Chariot à Hauteur Perdue Réduite	HPR	Low Headroom Trolley	LHT

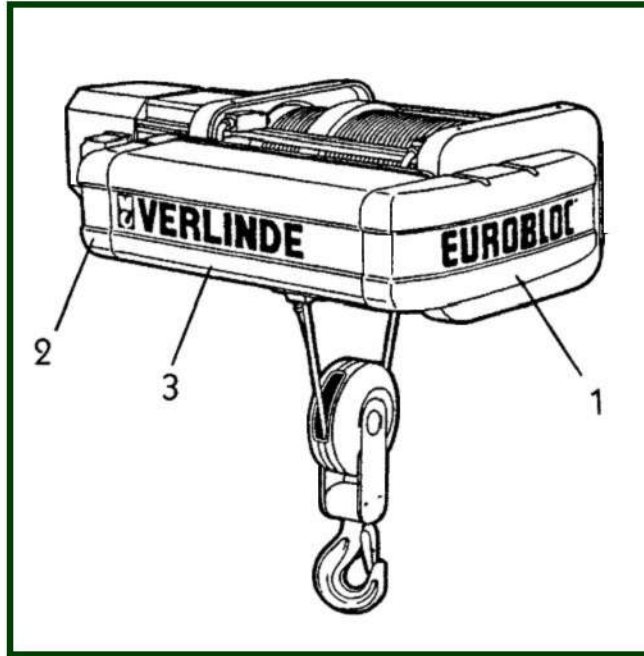
CODIFICATION DES PALANS VS / VS HOIST CODIFICATION												
PALAN VS												
TAILLE DU CHASSIS												
VS	1											
		1, 2, 3, 4, 5, 6										
	04 1 1	MOUFLAGE Nombre de brins / Sorties de câbles au tambour / Nombre de « crochets »										
	5	GROUPE ISO 4 = 1Am 5 = 2m 6 = 3m 7 = 4m X = Spécial										
		R 20 CHARIOT(*) / LARGEUR DE FER (**)										
		(*) R = HPR N = HPN P = Birail parallèle C = Birail perpendiculaire F = Fixe posé X = Spécial (**) Monorail 10 = 80...100 15 = 100...150 20 = 151...250 25 = 201...250 30 = 251...300 35 = 301...350 40 = 351...400 45 = 401...450 Birail 09 = 900 14 = 1400 17 = 1700 20 = 2000 24 = 2400 27 = 2700 31 = 3100										
		A LONGUEUR DE CHASSIS / HAUTEUR DE LEVAGE										
		A, B, C, D, E, F, G, H, J, K, L, M, N										
VS	1	04 1 1	5	R 20	A	N	N1	23 5	SE 5	+	25	N
REDUCTEUR / VITESSE												
L = Lent N = Normal R = Rapide X = Spécial												
MOTEUR N1												
N (1, 2, 3, 4, 5) = 2 vitesses H (2, 3, 4) = Service lourd F (3, 4, 5, 6) = Variation de vitesse X = Spécial (1 = 1,9 kW, 2 = 3,5 kW, 3 = 7,5 kW, 4 = 15 kW, 5 = 30 kW)												
TENSION D'ALIMENTATION 23 5												
23 5 = 230V / 50 Hz 40 5 = 400V / 50 Hz 41 5 = 415V / 50 Hz												
EQUIPEMENT ELECTRIQUE SE 5												
S = Palan solo K = Palan pour kit C = Classic E = Europe H = Hi-tronic 4 = IP 54 5 = IP 55 X = Spécial												
LIMITEUR DE CHARGE +												
L = Limiteur seul M = Monitor + = Limiteur + monitor												
DIRECTION 25												
16 = 16/4 20 = 20/5 25 = 25/6,3 NO = Non CH = Chaîne XX = Spécial												
CONCEPTION SPECIALE N												
N = Non M = Mécanique E = Electrique D = Divers												

## 1) Covers



## 1.1) Covers for VS1

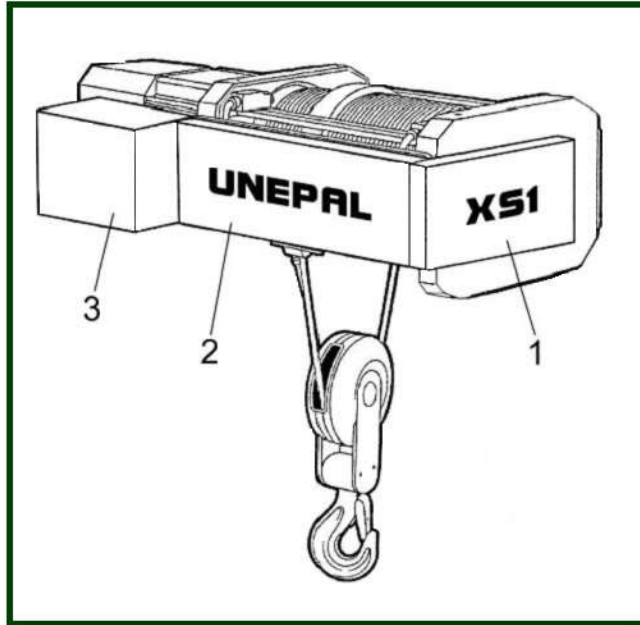
Pcs à la cde, préciser l'année de fabrication / Parts on order, indicate the year of manufacturing



item	reference	description	observation	Quantity
1	<u>V1FAB03D</u>	Cover long	A partir de décembre 1999 - From the december 1999	1
1	<u>1115021</u>	Cover long	Jusqu'à fin novembre 1999 - Up to november 1999	1
2	<u>1115023</u>	Cover - Motor side		1
3	<u>N.C.</u>	End carriage	VS402 / VP11 - VS404 / VP14 - VS502 VS504 < 16T	1

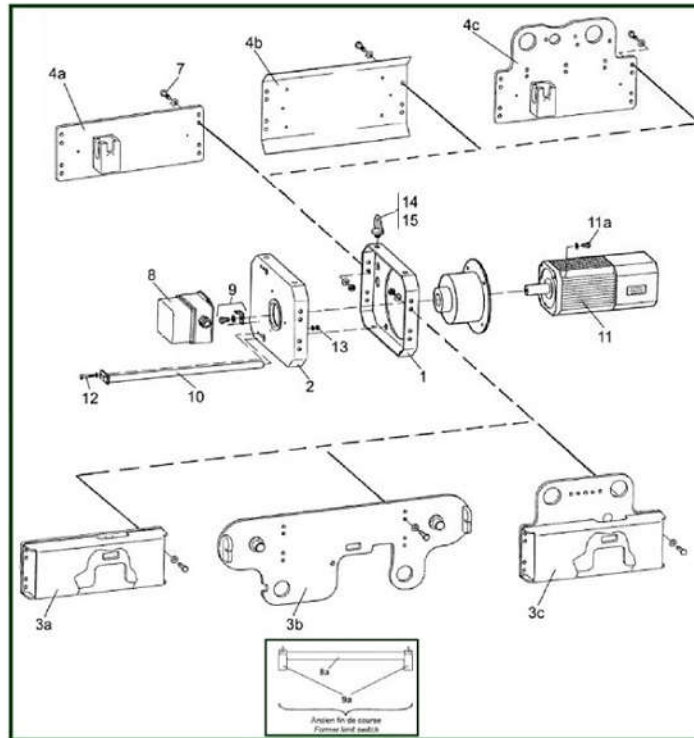
## 1.2) Covers for XS1

(\* ) Pcs à la cde, préciser l'année de fabrication / Parts on order, indicate the year of manufacturing



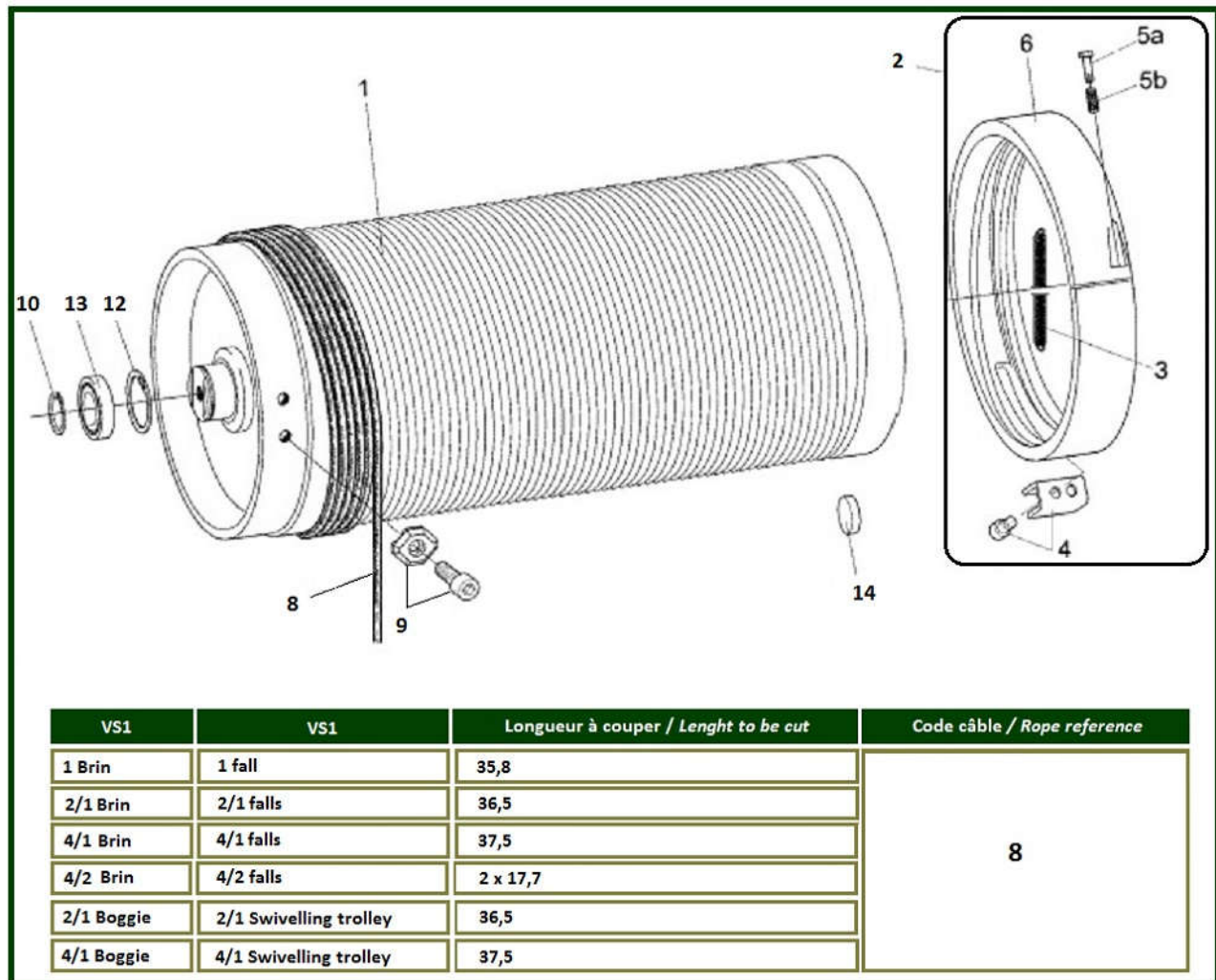
item	reference	description	observation	Quantity
1	<u>S1FAB01B</u>	Opposit motor side cover	(*)	1
2	<u>S1FA001B</u>	Side cover	(*)	1
3	<u>N.C.</u>	End carriage	VS402 / VP11 - VS404 / VP14 - VS502 VS504 < 16T	1

## 2) Frame



item	reference	description	observation	Quantity
1	<a href="#">1115040</a>	Motor Side and plane		1
2	<a href="#">1115050</a>	opposite motor side end plate		1
3a	<a href="#">1115014</a>	Side plate for HM hoist	VS104...F..A	1
3b	<a href="#">1113511</a>	Side plate for LHT hoist	VS102 R A - VS104 R A	1
3c	<a href="#">1114514</a>	Side plate for NHT hoist	VS102 N A - VS104 N A	1
4a	<a href="#">1115017</a>	Side plate for FM hoist	VS1....F..A	1
4b	<a href="#">1115011</a>	Side plate for FM OR LHT hoist	VS1 R A VS102 F	1
4c	<a href="#">1114515</a>	Side plate for NHT hoist	VS1....N..A	1
7	<a href="#">8110042</a>	Fixing screw set		8
8	<a href="#">GTES67DZM</a>	Rotating limit switch - 4C	XS2 - VS2...C et Z 1/1-2/1-4/1 Depuis/Since 01/12/99	1
8a	<a href="#">1111022</a>	Limit switch shaft	VS3.....A - Lg 530 mm - Jusqu'au / Until 30/11/99	1
9	<a href="#">1114020</a>	Kixing set + cal selectir bracket	Depuis / Since 01/12/99	1
9a	<a href="#">1113113</a>	Limit switch	Jusqu'à / To 30/11/99	1
10	<a href="#">1111028</a>	Rope guide support shaft	VS1...A - VS3...A	1
11	<a href="#">1117004</a>	Complete motor 1,9/0,3 kw 380V/50 Hz or 440V/60Hz	N1	1
11	<a href="#">1117001</a>	Complete motor 1,9/0,3 kw 400V/50 Hz or 460V/60Hz	N1	1
11	<a href="#">1117002</a>	Complete motor 1.9 / 0.3 kw 230V/50 Hz	Voir Pièces détachées moteur / See spare parts motor	1
11	<a href="#">1117003</a>	Complete motor 1.9 / 0.3 kw 415V - 480V/60 Hz	Voir Pièces détachées moteur / See spare parts motor	1
11a	<a href="#">830205</a>	Securing screw for brake bar HM 8 x 25		1
12	<a href="#">830905</a>	CHC Screw 8X20		2
13	<a href="#">831504</a>	Brake washer AZ M8	VS4....B...D - VS5.....D/E	2
14	<a href="#">1110006</a>	Eye boit	Fixe (2) - HPN/NHT (4) - HPR/LHT (1)	1
15	<a href="#">831594</a>	NYLSTOP nut - M12 - DIN985	PRC1	1
-	<a href="#">7215453J</a>	Screw CHC 8x16	Vis pour rail / Screw for shaft	2

### 3) Rope drum



item	reference	description	observation	Quantity
1	<a href="#">1110500</a>	Rope drum lg : 553	VS1.....A	1
1	<a href="#">V1FM012A</a>	True vertical lift drum - pitch 6,3	2F	1
2	<a href="#">1110540</a>	Complete rope guide	3+4+5a+5b+6	1
3	<a href="#">1111007</a>	Spring	VS1	1
4	<a href="#">1111014</a>	Shape guide		1
5a	<a href="#">554347</a>	Screw	VS1-VS2	2
5b	<a href="#">12332001</a>	Pressure spring	VS1-VS2	1
6	<a href="#">1110541</a>	Rope guide	VS1	1
8	<a href="#">1111042</a>	Left rope - Ø 6	VS1...A - VS2 Z	1
9	<a href="#">1111017</a>	Rope clamp	VS1	3
10	<a href="#">100051</a>	External circlip - Ø 30	VS2....O (VSX)	1
12	<a href="#">300079</a>	Circlip - Ø 62	C3-C5- VS2... O (VSX)	1
13	<a href="#">8110073</a>	Bearing	VS1	1
14	<a href="#">1111540</a>	Magnet set	VS1-VS2-VS3	2

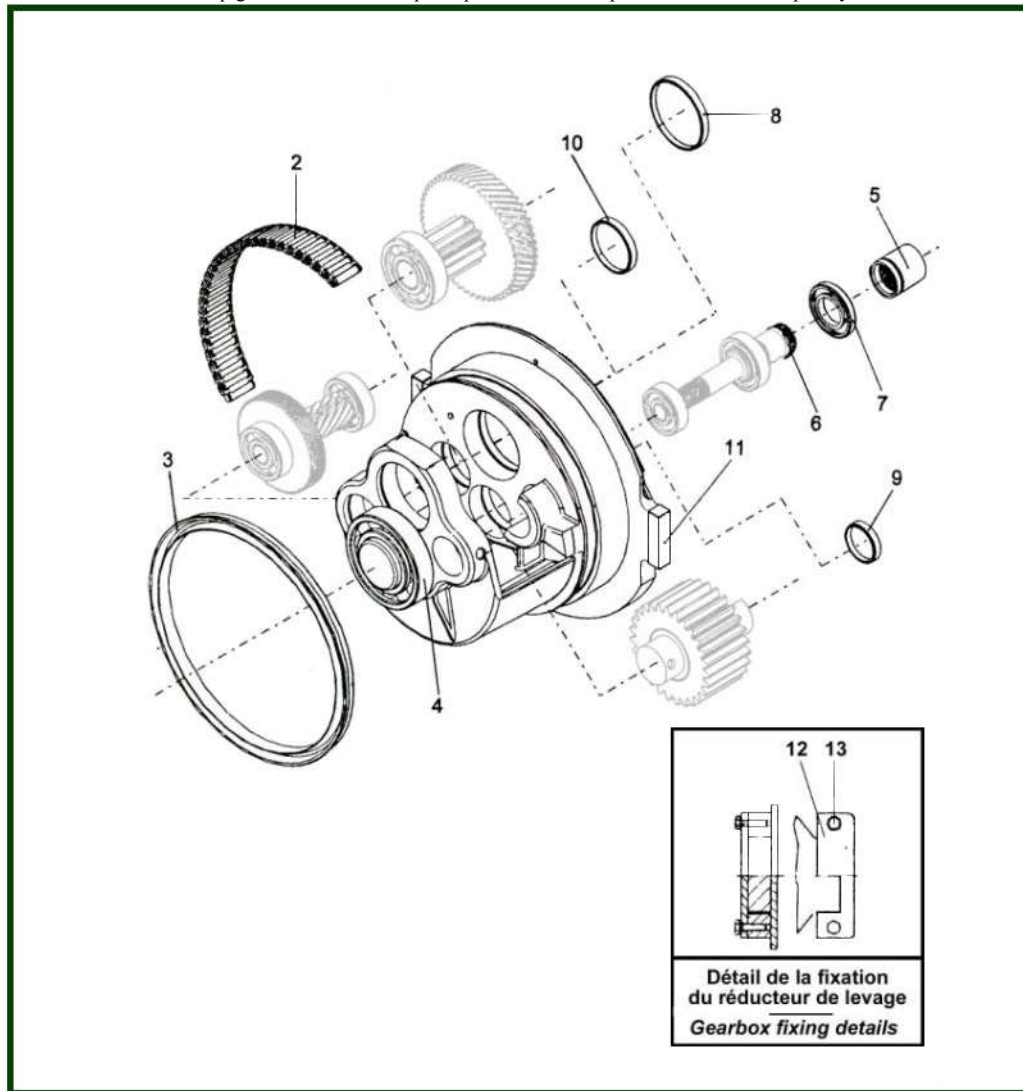
### **3.1) Precut rope**

<b>item</b>	<b>reference</b>	<b>description</b>	<b>observation</b>	<b>Quantity</b>
	<u>53022867</u>	Wire rope - Ø 6 - Left	Lg 36m	1
	<u>53022644</u>	Wire rope - Ø 6 - Left	Lg 37m	1
	<u>53022836</u>	Wire rope - Ø 6 - Left	Lg 38m	1



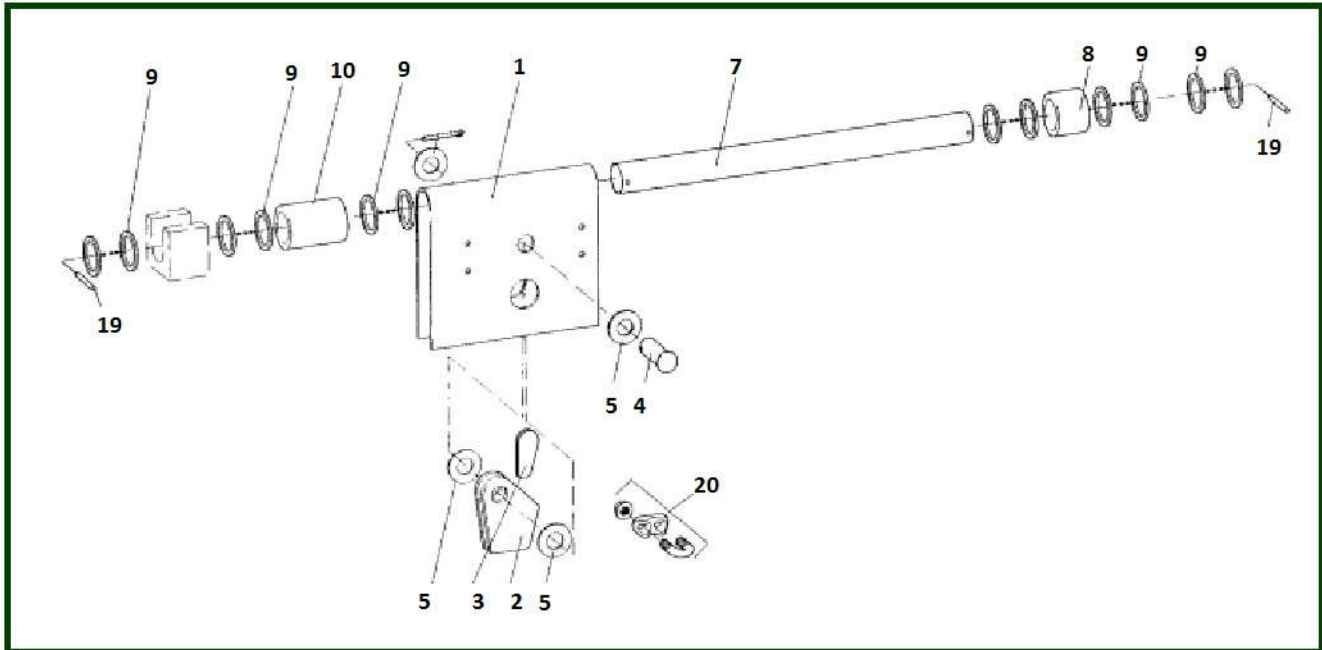
## 4) Gear

La pignonnerie ne se vend pas séparément - The pinions are not sold separately



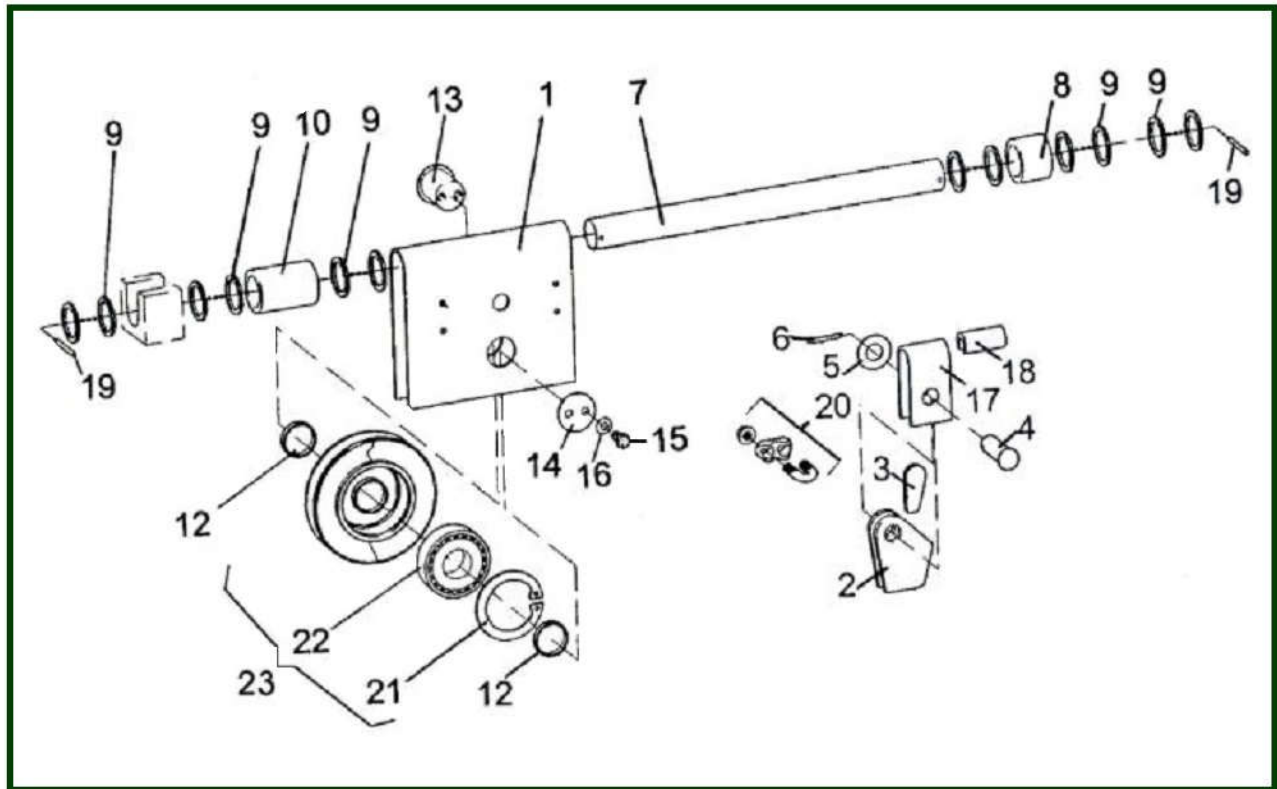
item	reference	description	observation	Quantity
2	<a href="#">P1G0002</a>	Roller bearing		1
3	<a href="#">P1G0003</a>	Sealing		1
4	<a href="#">8110073</a>	Bearing	VS1	1
5	<a href="#">P1G0005</a>	Coupling	VS1 N1	1
6	<a href="#">P1G0006</a>	O-ring	VS3 N2	2
7	<a href="#">7460505V</a>	Seal		1
8	<a href="#">P1G0008</a>	Cap		1
9	<a href="#">P1G0009</a>	Cap		1
10	<a href="#">P1G0010</a>	Cap		1
11	<a href="#">1111038</a>	Set of 2 plastic caps	Set de cales + plaques / Set of wedge + stick	1
12	<a href="#">1111036</a>	Gear fixing plates		1
13	<a href="#">830201</a>	Exterior circlip	C3	1
-	<a href="#">1117502</a>	Complete gearbox	2/1 5/0,8 m/min - 4/1 10/1,6 m/min	1

## 5) Rope anchorage suspension - 2 falls



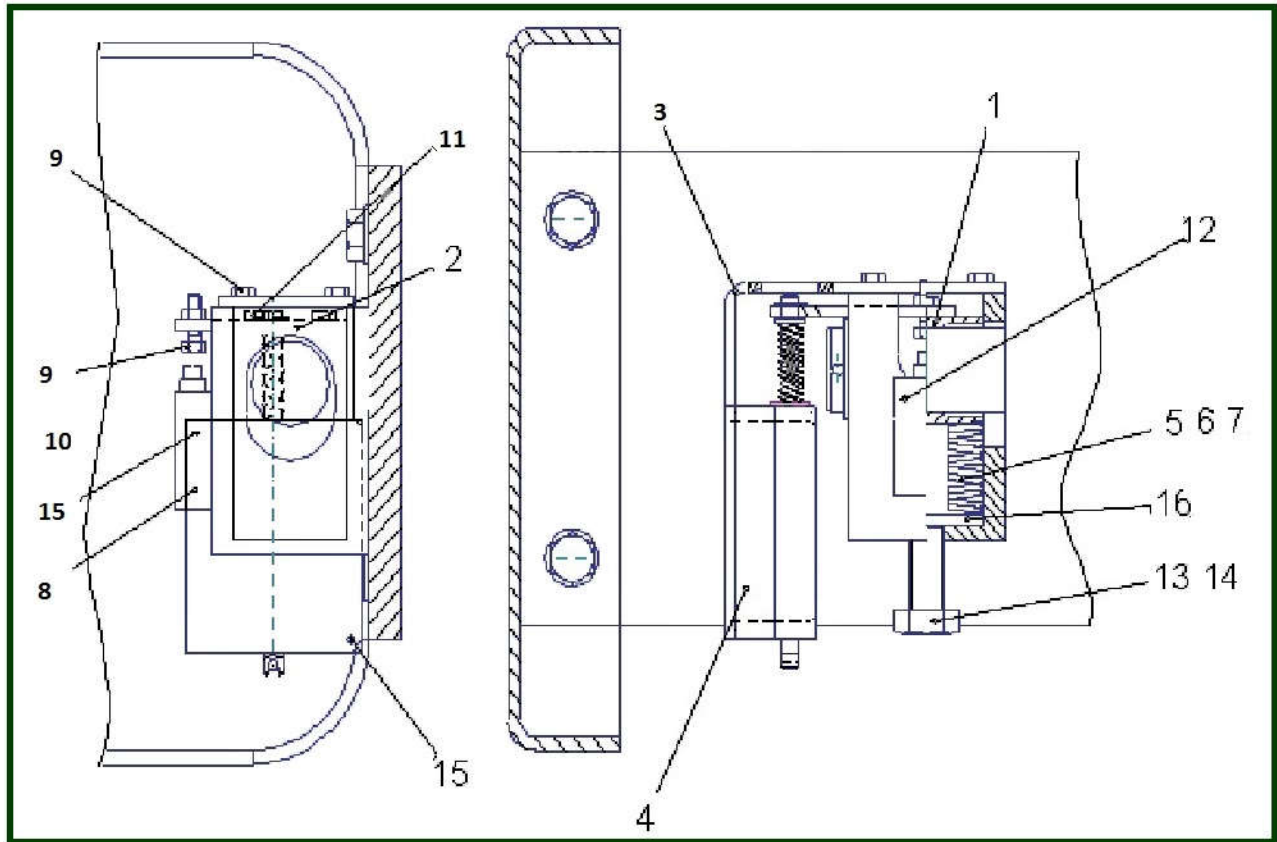
item	reference	description	observation	Quantity
1	<a href="#">1112510</a>	Support		1
2	<a href="#">1112527</a>	Key housing		1
3	<a href="#">1112530</a>	Key		1
4	<a href="#">1112515</a>	Anchor point shaft		1
5	<a href="#">7231202C</a>	Washer		3
6 - 19	<a href="#">7271404A</a>	Split pin		1
7	<a href="#">1112518</a>	Support shaft		1
8	<a href="#">1112521</a>	Sleeve	VS F/N/R	1
9	<a href="#">8110003</a>	Washer		18
10	<a href="#">1112524</a>	Sleeve	VS F/N/R	1
20	<a href="#">7333060T</a>	Rope clamp - Ø 6,5		1

## 6) Rope sheave unit - 4 roped



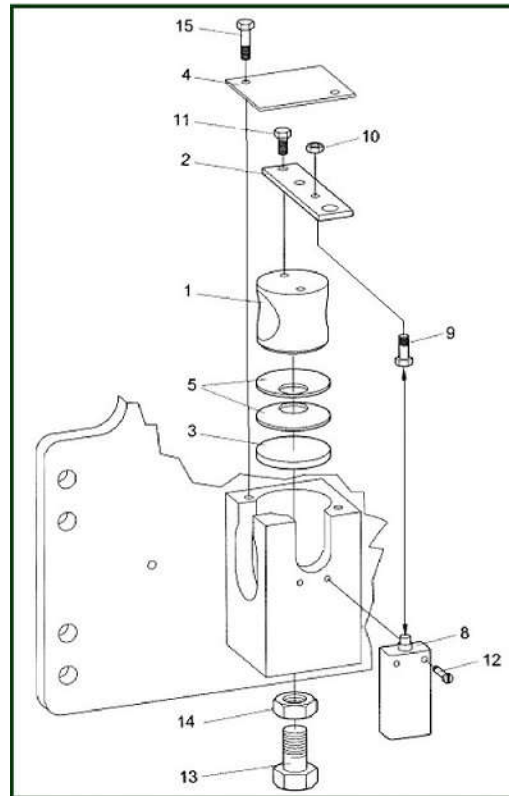
item	reference	description	observation	Quantity
1	<a href="#">1112510</a>	Support		1
2	<a href="#">1112527</a>	Key housing		1
3	<a href="#">1112530</a>	Key		1
4	<a href="#">1112515</a>	Anchor point shaft		1
5	<a href="#">7231202C</a>	Washer		3
6-19	<a href="#">7271404A</a>	Split pin		2
7	<a href="#">1112518</a>	Support shaft		1
8	<a href="#">1112521</a>	Sleeve	VS F/N/R	1
9	<a href="#">8110003</a>	Washer		18
10	<a href="#">1112524</a>	Sleeve	VS F/N/R	1
12	<a href="#">1112503</a>	Sleeve		2
13	<a href="#">1112506</a>	Pulley Shaft		1
14	<a href="#">1112509</a>	Washer		1
15	<a href="#">830201</a>	Exterior circlip	C3	2
16	<a href="#">8110011</a>	Washer		1
17	<a href="#">1112534</a>	Rope and support		1
18	<a href="#">1112532</a>	Sleeve		1
20	<a href="#">7333060T</a>	Rope clamp - Ø 6,5		1
21	<a href="#">7261080D</a>	Internal circlip - Ø 80		1
22	<a href="#">8112073</a>	Bearing		1
23	<a href="#">1112520</a>	Complete pulley - Ø 125	1AM 20+21+11VS2 A, C et O	1

## 7) Overload protection FM-NHT-LHT - To march 1999



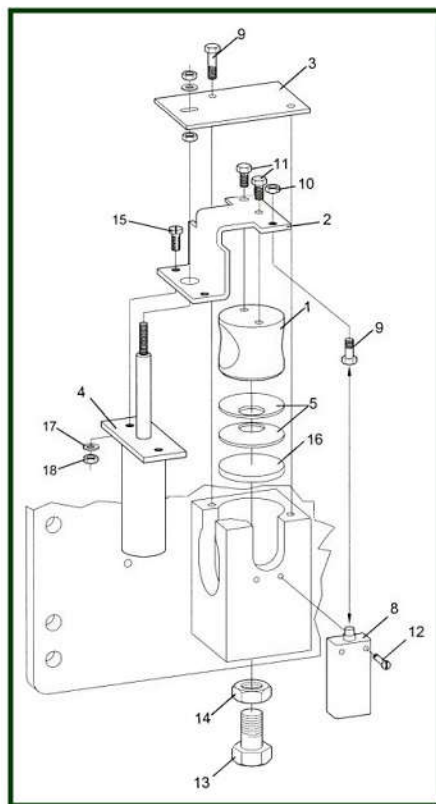
item	reference	description	observation	Quantity
1	<a href="#">1111523</a>	Sleeve		1
2	<a href="#">1111508</a>	Trigger plate		1
2b	<a href="#">1111522</a>	Trigger plate	HPR/LHT	1
3	<a href="#">1113524</a>	Sensor support	HPR/LHT	1
4	<a href="#">1113547</a>	HALL sensor	HPR/LHT VS306/VS404 2/6 - Jusqu'à mars 99 / To march 99	1
5	<a href="#">180051</a>	Spring limiteur	Type C	1
5a	<a href="#">180050</a>	Spring limiteur	Type D - HPR/LHT	1
6	<a href="#">180049</a>	Spring limiteur	Type E - HPR/LHT	1
6a	<a href="#">180048</a>	Spring limiteur	Type F	1
7	<a href="#">1115020</a>	Cover	HPR	1
8	<a href="#">8111593</a>	Limit switch		1
9	<a href="#">7211356F</a>	Screw		5
10	<a href="#">831501</a>	Screw M6	Standard	1
11	<a href="#">8110033</a>	Screw		2
12	<a href="#">830930</a>	CHC screw M4x20		2
13	<a href="#">830622</a>	Screw CHC M16x40	Moteur N5	1
14	<a href="#">831574</a>	PAL nut - M16	C1	1
15	<a href="#">550980</a>	Screw		2
16	<a href="#">1111521</a>	Rondelle fond limiteur		1
17	<a href="#">8110502</a>	Truac ring		1

## 8) Overload protection FM-NHT-LHT - Since april 1999



item	reference	description	observation	Quantity
1	<a href="#">1111523</a>	Sleeve		1
2	<a href="#">1111508</a>	Trigger plate		1
3	<a href="#">1111503</a>	Sensor support		1
4	<a href="#">LP2OUFR10</a>	HALL sensor		1
5	<a href="#">180051</a>	Spring limiteur	Type C	1
5	<a href="#">180050</a>	Spring limiteur	Type D - HPR/LHT	1
5	<a href="#">180049</a>	Spring limiteur	Type E - HPR/LHT	1
5	<a href="#">180048</a>	Spring limiteur	Type F	1
8	<a href="#">8111593</a>	Limit switch		1
9	<a href="#">7211356F</a>	Screw		5
9b	<a href="#">830205</a>	Securing screw for brake bar HM 8 x 25		1
10	<a href="#">831501</a>	Screw M6	Standard	1
11	<a href="#">8110033</a>	Screw		2
11b	<a href="#">7232060K</a>	Washer M6	Standard	1
12	<a href="#">830930</a>	CHC screw M4x20		1
13	<a href="#">830622</a>	Screw CHC M16x40	Moteur N5	1
14	<a href="#">831574</a>	PAL nut - M16	C1	1
15	<a href="#">8110030</a>	Screw CHC 4x16		4
16	<a href="#">1111521</a>	Rondelle fond limiteur		1
17	<a href="#">7231044F</a>	Washer M4		1
18	<a href="#">7221040C</a>	Nut M4		1

## 8.1) Electr. + mechanical + HALL sensor



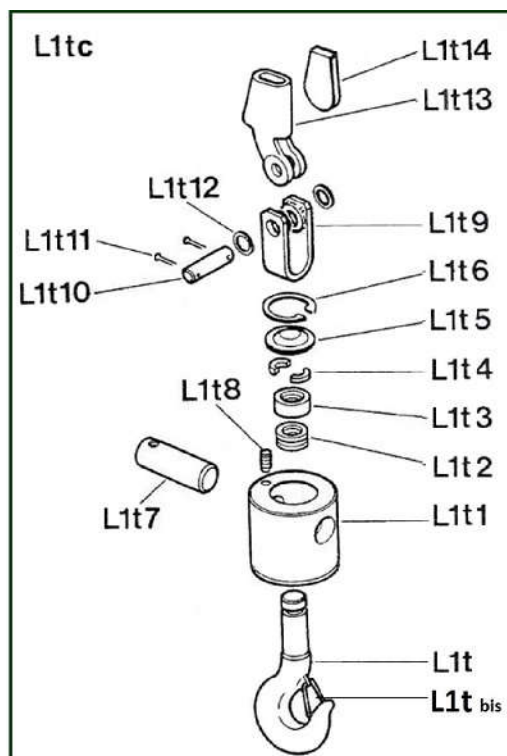
item	reference	description	observation	Quantity
1	<a href="#">1111523</a>	Sleeve		1
2	<a href="#">1111508</a>	Trigger plate		1
3	<a href="#">1111503</a>	Sensor support		1
4	<a href="#">LP2OUFR10</a>	HALL sensor		1
5	<a href="#">180051</a>	Spring limiteur	Type C	1
5	<a href="#">180050</a>	Spring limiteur	Type D - HPR/LHT	1
5	<a href="#">180049</a>	Spring limiteur	Type E - HPR/LHT	1
5	<a href="#">180048</a>	Spring limiteur	Type F	1
8	<a href="#">8111593</a>	Limit switch		1
9	<a href="#">7211356F</a>	Screw		5
9b	<a href="#">830205</a>	Securing screw for brake bar HM 8 x 25		1
10	<a href="#">831501</a>	Screw M6	Standard	1
11	<a href="#">8110033</a>	Screw		2
11b	<a href="#">7232060K</a>	Washer M6	Standard	1
12	<a href="#">830930</a>	CHC screw M4x20		1
13	<a href="#">830622</a>	Screw CHC M16x40	Moteur N5	1
14	<a href="#">831574</a>	PAL nut - M16	C1	1
15	<a href="#">8110030</a>	Screw CHC 4x16		4
16	<a href="#">1111521</a>	Rondelle fond limiteur		1
17	<a href="#">7231044F</a>	Washer M4		1
18	<a href="#">7221040C</a>	Nut M4		1

## 9) Spring table - VS1

Type de palan	Charge kg	Type de ressort	Disposition	Nb.	
Type of hoist	Load kg	Type of spring	Position	Pc.	
VS1 FIXE et HPN					
VS 102	630 (3m)	E	1 x 1 opposées	12	
	800 (2m)				
	1000 (1Am)				
VS 104	1250 (3m)	D		1 x 1 opposées	10
	1600 (2m)	C			
	2000 (1Am)				
VS1 HPR					
VS 102	630 (3m)	E	1 x 1 opposées		12
	800 (2m)	F			
	1000 (1Am)				
VS 104	1250 (3m)	D		1 x 1 opposées	10

item	reference	description	observation	Quantity
5	<u>180051</u>	Spring limiteur	Type C	1
5	<u>180050</u>	Spring limiteur	Type D - HPR/LHT	1
5	<u>180049</u>	Spring limiteur	Type E - HPR/LHT	1
5	<u>180048</u>	Spring limiteur	Type F	1

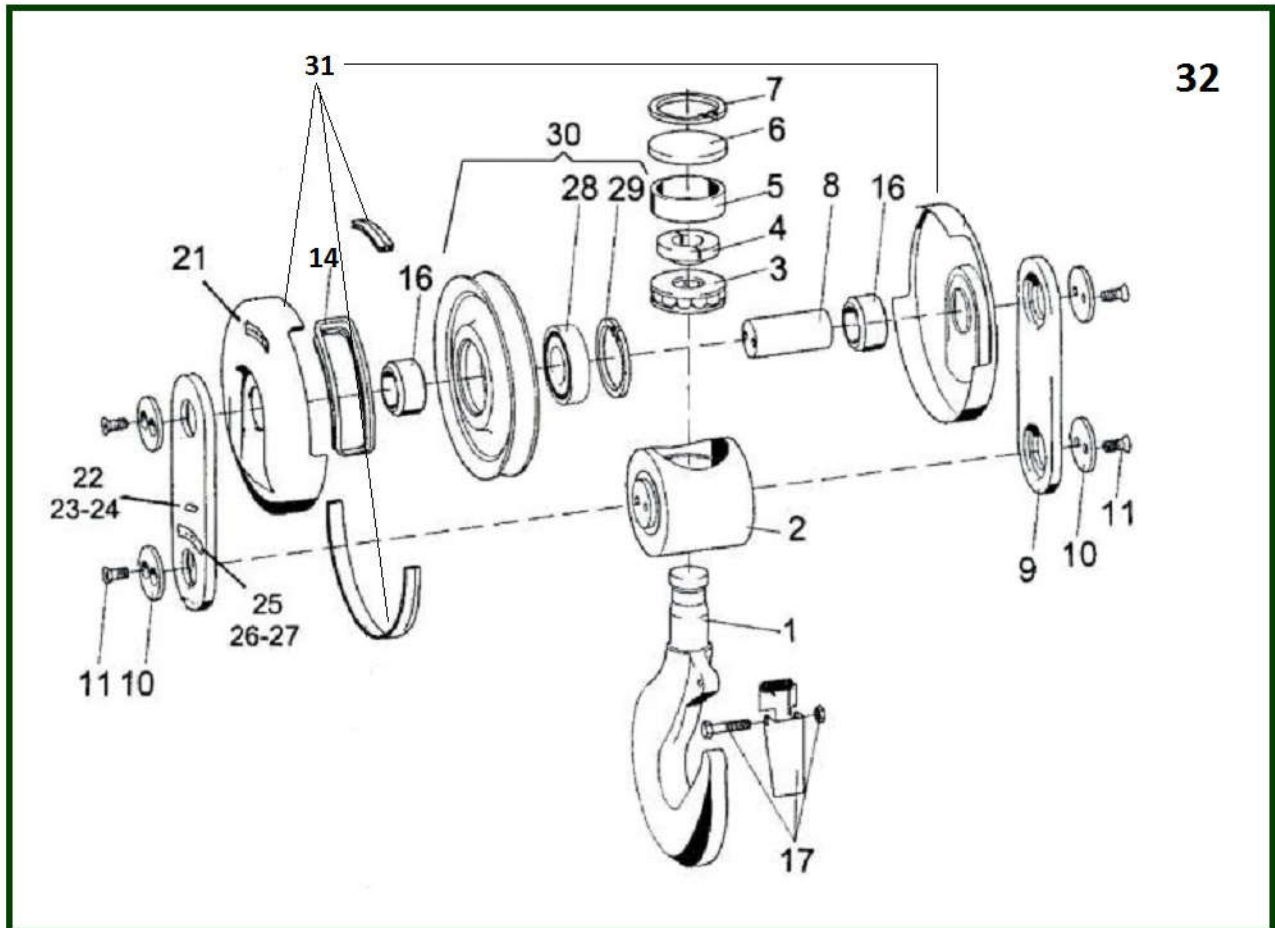
## 10) Lifting hook - 1 roped



item	reference	description	observation	Quantity
L1T1	<a href="#">5233301W</a>	Washer	Câble / Rope Ø 11 & 12 mm	1
L1T2	<a href="#">7431062S</a>	Thrust bearing		1
L1T3	<a href="#">5233612J</a>	Cylindrical dish	Câble / Rope Ø 11 & 12 mm	1
L1T4	<a href="#">5233613K</a>	Half segment ring	Câble / Rope Ø 11 & 12 mm	1
L1T5	<a href="#">5233615N</a>	Cap	Câble / Rope Ø 11 & 12 mm	1
L1T6	<a href="#">7261080D</a>	Internal circlip - Ø 80		1
L1T7	<a href="#">5233302X</a>	Axle	Câble / Rope Ø 11 & 12 mm	1
L1T8	<a href="#">7217434N</a>	Pointed screw	Câble / Rope Ø 11 & 12 mm	1
L1T9	<a href="#">5233311G</a>	Stirrup	Câble / Rope Ø 11 & 12 mm	1
L1T10	<a href="#">5233312H</a>	Rope anchor pin		1
L1T11	<a href="#">7271404A</a>	Split pin		2
L1T12	<a href="#">7231122R</a>	Washer MU12		2
L1T13	<a href="#">5231410R</a>	Rope anchorage		1
L1T14	<a href="#">8536223D</a>	Key cable	Ø 6.5 mm	1
L1T	<a href="#">5233610G</a>	Hook with safety catch		1
L1T BIS	<a href="#">SR32E</a>	Safety catch (wire)	Câble / Rope Ø 11 & 12 mm	1
L1TC	<a href="#">3233310T</a>	Complete hook block	Ø 6.5 mm	1



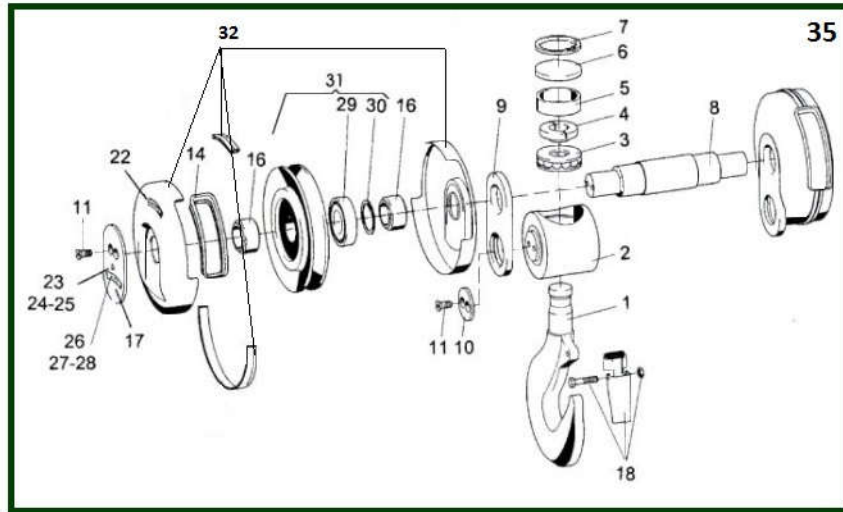
## 11) Lifting hook - 2 roped



item	reference	description	observation	Quantity
1	<a href="#">1112001</a>	Hook		1
2	<a href="#">1112004</a>	Beam		1
3	<a href="#">7431062S</a>	Thrust bearing		1
4	<a href="#">1112019</a>	Locking parts		1
5	<a href="#">1112018</a>	Safety ring		1
6	<a href="#">1112005</a>	Beam cover		1
7	<a href="#">7261060G</a>	Circlip		1
8	<a href="#">1112012</a>	Pulley shaft		1
9	<a href="#">1112035</a>	Flat bar		2
10	<a href="#">1112016</a>	Plate	1Am	4
11	<a href="#">7216403S</a>	Screw	1AM-2/3M	8
14	<a href="#">1112009</a>	Rope shield		2
16	<a href="#">1112031</a>	Bushing		2
17	<a href="#">23233003</a>	Safety latch N°1	RSN08	1
17	<a href="#">52315930</a>	Safety latch plate type	Après / After 06/99	1
21	<a href="#">1112040</a>	Stickers	« VERLINDE »	2
22	<a href="#">1112051</a>	Stickers	« FEM 1Am »	1
23	<a href="#">1112052</a>	Stickers	« FEM 2m »	1
24	<a href="#">1112053</a>	Stickers	« FEM 3m »	1
25	<a href="#">1112041</a>	Stickers	« 1 t »	1
26	<a href="#">1112042</a>	Stickers	« 0.8 t »	1
27	<a href="#">1112043</a>	Stickers	« 0.63 t »	1

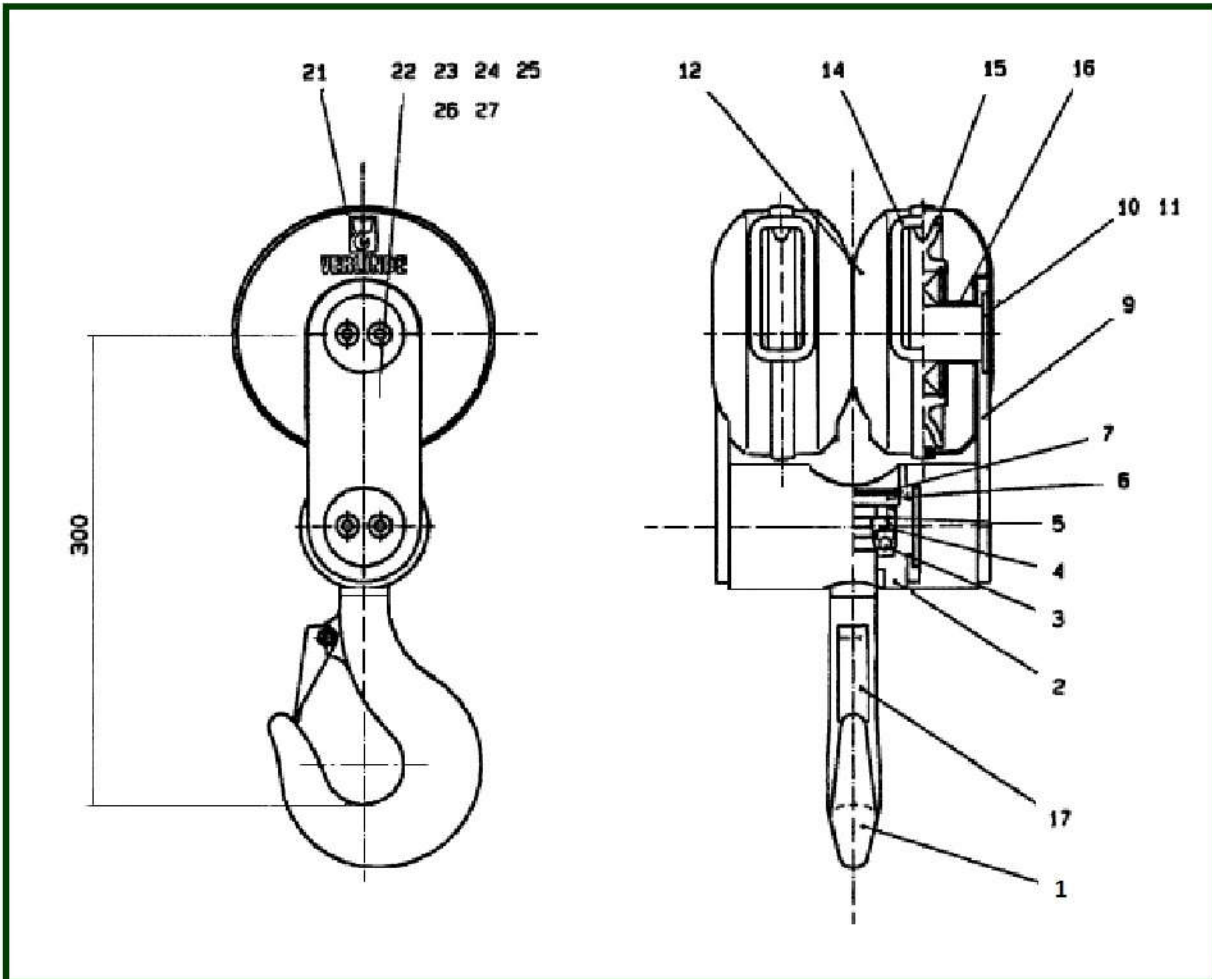
29	<u>7261080D</u>	Internal circlip - Ø 80		1
30	<u>1112520</u>	Complete pulley - Ø 125	1AM 20+21+11VS2 A, C et O	1
31	<u>1112086</u>	Cover set + sealing profile		1
32	<u>1112000</u>	Complete hook block		1

## 12) Lifting hook - 4 roped



item	reference	description	observation	Quantity
1	<a href="#">1112001</a>	Hook		1
2	<a href="#">1112004</a>	Beam		1
3	<a href="#">7431062S</a>	Thrust bearing		1
4	<a href="#">1112019</a>	Locking parts		1
5	<a href="#">1112018</a>	Safety ring		1
6	<a href="#">1112005</a>	Beam cover		1
7	<a href="#">7261060G</a>	Circlip		1
8	<a href="#">1112013</a>	Shaft		1
9	<a href="#">1112036</a>	Flat bar		2
10	<a href="#">1112016</a>	Plate	1Am	2
11	<a href="#">7216403S</a>	Screw	1AM-2/3M	8
14	<a href="#">1112009</a>	Rope shield		4
16	<a href="#">1112031</a>	Bushing		4
17	<a href="#">1112017</a>	Plate		2
18	<a href="#">23233003</a>	Safety latch N°1	RSN08	1
18	<a href="#">52315930</a>	Safety latch plate type	Après / After 06/99	1
22	<a href="#">1112040</a>	Stickers	« VERLINDE »	2
23	<a href="#">1112051</a>	Stickers	« FEM 1Am »	2
24	<a href="#">1112052</a>	Stickers	« FEM 2m »	2
25	<a href="#">1112053</a>	Stickers	« FEM 3m »	2
26	<a href="#">1122063</a>	Stickers	« 2 t »	2
27	<a href="#">1122062</a>	Stickers	« 1 6 t »	2
28	<a href="#">1122061</a>	Stickers	« 1.25 t »	2
29	<a href="#">8112073</a>	Bearing		1
30	<a href="#">7261080D</a>	Internal circlip - Ø 80		1
31	<a href="#">1112520</a>	Complete pulley - Ø 125	1AM 20+21+11VS2 A, C et O	1
32	<a href="#">1112086</a>	Cover set + sealing profile		2
35	<a href="#">1112002</a>	Complete hook block		1

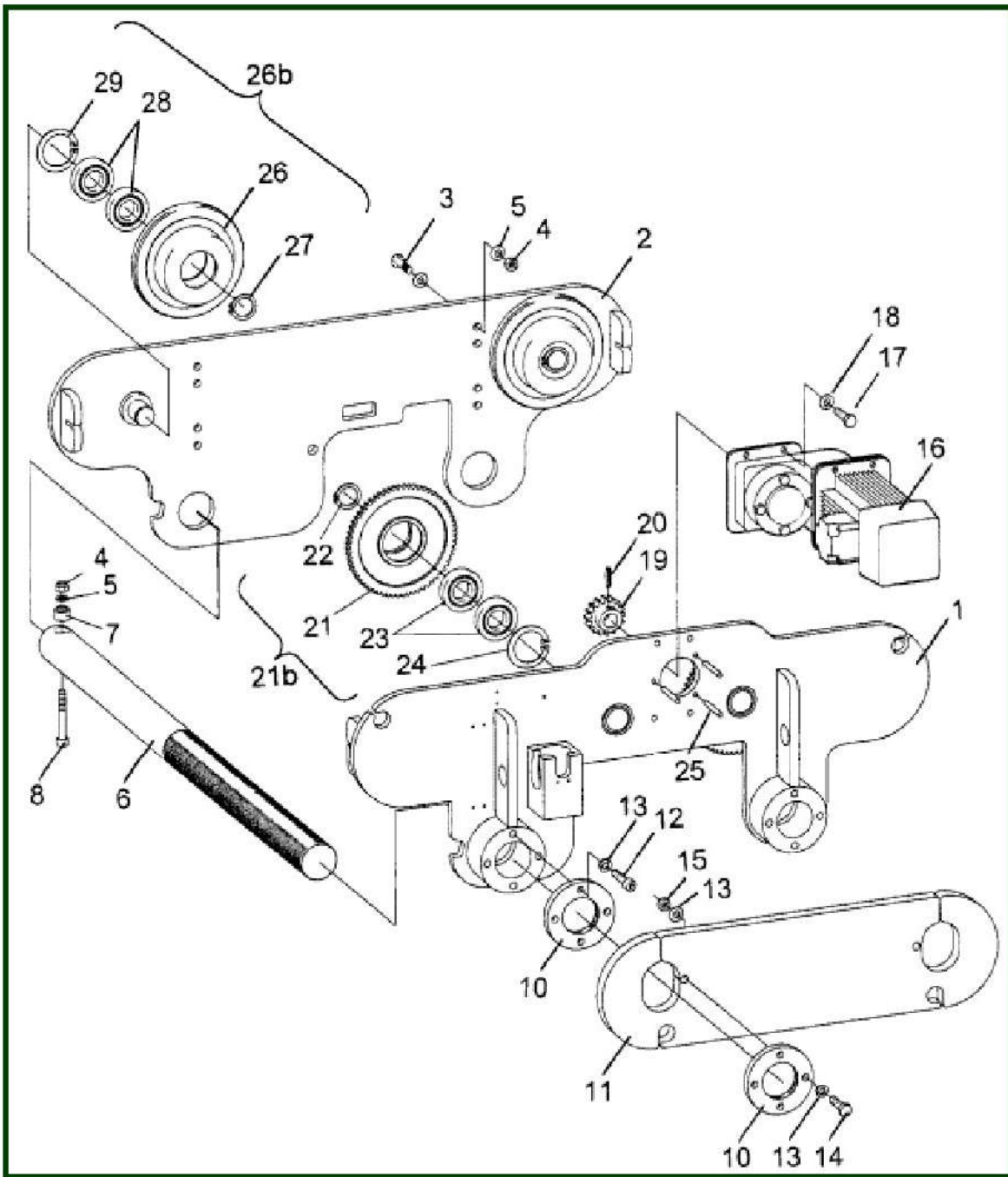
### 13) Lifting hook - 4/2 roped



item	reference	description	observation	Quantity
1	<a href="#">1112001</a>	Hook		1
2	<a href="#">VS30207A</a>	Beam		1
3	<a href="#">51206</a>	Bearing		1
4	<a href="#">1112019</a>	Locking parts		1
5	<a href="#">1112018</a>	Safety ring		1
6	<a href="#">1112005</a>	Beam cover		1
7	<a href="#">7261060G</a>	Circlip		1
8	<a href="#">VS10073A</a>	Shaft		1
9	<a href="#">1112035</a>	Flat bar		2
10	<a href="#">1112016</a>	Plate	1Am	4
11	<a href="#">7216403S</a>	Screw	1AM-2/3M	8
13	<a href="#">1112007</a>	Sealing profile		2
13	<a href="#">1112008</a>	Sealing profile	Lg 266	2
14	<a href="#">1112009</a>	Rope shield		4
15	<a href="#">1112520</a>	Complete pulley - Ø 125	1AM 20+21+11VS2 A, C et O	2
16	<a href="#">1112031</a>	Bushing		4
17	<a href="#">23233003</a>	Safety latch N°1	RSN08	1
17	<a href="#">52315930</a>	Safety latch plate type	Après / After 06/99	1
21	<a href="#">1112040</a>	Stickers	« VERLINDE »	2
22	<a href="#">1112051</a>	Stickers	« FEM 1Am »	1
23	<a href="#">1112052</a>	Stickers	« FEM 2m »	1

24	<u>1112053</u>	Stickers	« FEM 3m »	1
25	<u>1112041</u>	Stickers	« 1 t »	1
26	<u>1112042</u>	Stickers	« 0.8 t »	1
27	<u>1112043</u>	Stickers	« 0.63 t »	1
-	<u>1112086</u>	Cover set + sealing profile		2

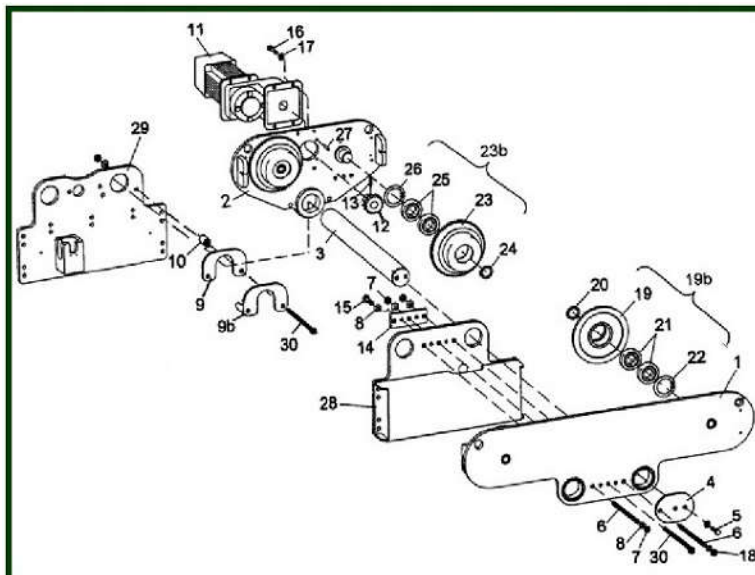
## 14) Low Headroom Trolley - LHT



item	reference	description	observation	Quantity
1	<a href="#">1113514</a>	Side plate		1
2	<a href="#">1113511</a>	Side plate for LHT hoist	VS102 R A - VS104 R A	1
3	<a href="#">8110042</a>	Fixing screw set		4
4	<a href="#">8113533</a>	Durlock Nut		12
5	<a href="#">7231202C</a>	Washer		1
6	<a href="#">1113541</a>	Thread bar		2
7	<a href="#">1113542</a>	Bushing	* XS2-VS2..R..O (VSX)	4
8	<a href="#">830941</a>	CHC screws 10 x 60	* XS2-VS2... A et C (qty 4) - VS2..R..O (VSX) (qty 2)	1
10	<a href="#">1113543</a>	Tie rod nut		2

11	<u>1113548</u>	Counterweight		1
12	<u>830211</u>	HM screw	PRC2/3	4
13	<u>7232080G</u>	GROWER washer - Ø 8		6
14	<u>7211462W</u>	Screws		2
15	<u>831504</u>	Brake washer AZ M8	VS4....B...D - VS5.....D/E	1
17	<u>8011045</u>	Screws		4
18	<u>7232100D</u>	GROWER washer M10	DIN12 Standard - Frein automatique/Automatic brake	1
19	<u>1113532</u>	Drive wheel - 19 th		1
20	<u>7273458H</u>	Pin		1
21b	<u>1113508</u>	Driving wheel set - Ø 100	VB10D:100mm - VB10D - VS2..R..O (VSX) 2 roulements + 1 circlip + 1 galet moteur 2 Bearings + 1 circlip + 1 geared wheel	1
25	<u>8110059</u>	Dowell		3
26b	<u>1113507</u>	Idle wheel set - Ø 100	VB10D:100mm - VB10D - VS2..R..O (VSX) 2 roulements + 1 circlip + 1 galet porteur 2 Bearings + 1 circlip + 1 geared wheel	1
27	<u>400078</u>	Exterior circlip Ø 35	C2	2
28	<u>7412064S</u>	Bearing	VS2....O (VSX)	4
29	<u>300079</u>	Circlip - Ø 62	C3-C5- VS2.... O (VSX)	2
-	<u>15038001</u>	Buffer	Tous types /All types	2
-	<u>1113517</u>	Buffer assy		1
-	<u>1113566</u>	Limit switch assy (travel)		1
-	<u>7541312D</u>	Travel limit switch	C1-C2-C3	1

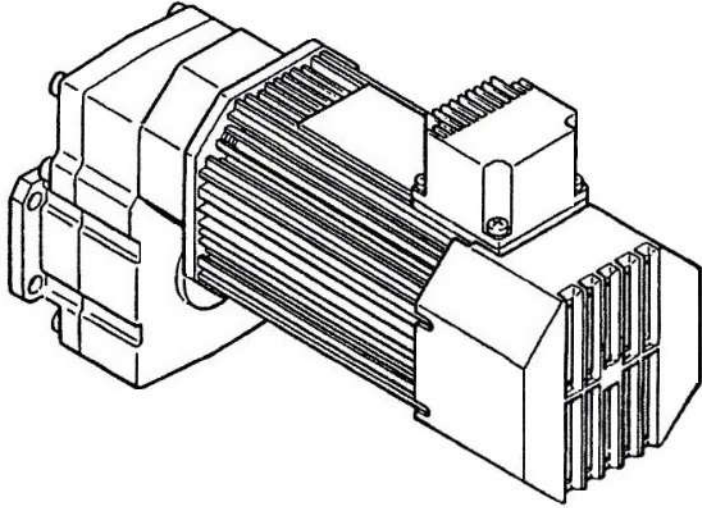
## 15) Normal Headroom Trolley - NHT



item	reference	description	observation	Quantity
1	<a href="#">1114521</a>	Opposite motor side plate		1
2	<a href="#">1114531</a>	Motor side plate		1
3	<a href="#">1114541</a>	Tie rod		2
4	<a href="#">1114544</a>	Locking plate		1
5	<a href="#">830917</a>	Screw CHC 8 x 25	Moteur N3 - Vis à coller / Screw paste	4
6	<a href="#">1114503</a>	Threaded bar		2
8	<a href="#">7231122R</a>	Washer MU12		1
9	<a href="#">1114545</a>	Locking plate		1
9b	<a href="#">1113516</a>	Locking plate		1
10	<a href="#">1134511</a>	Bushing		2
11	<a href="#">voir chap.17</a>	Travelling motorgear	GS2..RPC+MF07	1
12	<a href="#">1113532</a>	Drive wheel - 19 th		2
13	<a href="#">7273458H</a>	Pin		1
14	<a href="#">1114502</a>	Locking plate		1
15	<a href="#">830407</a>	Screw		2
16	<a href="#">8011550</a>	Screw		4
17	<a href="#">7232100D</a>	GROWER washer M10	DIN12 Standard - Frein automatique/Automatic brake	8
18	<a href="#">831594</a>	NYLSTOP nut - M12 - DIN985	PRC1	5
19b	<a href="#">1113507</a>	Idle wheel set - Ø 100	VB10D:100mm - VB10D - VS2..R..O (VSX) 2 roulements + 1 circlip + 1 galet porteur 2 Bearings + 1 circlip + 1 geared wheel	1
23b	<a href="#">1113508</a>	Driving wheel set - Ø 100	VB10D:100mm - VB10D - VS2..R..O (VSX) 2 roulements + 1 circlip + 1 galet moteur 2 Bearings + 1 circlip + 1 geared wheel	1
24	<a href="#">400078</a>	Exterior circlip Ø 35	C2	2
25	<a href="#">7412064S</a>	Bearing	VS2....O (VSX)	4
26	<a href="#">300079</a>	Circlip - Ø 62	C3-C5- VS2... O (VSX)	2
27	<a href="#">8110059</a>	Dowell		3
28	<a href="#">1114514</a>	Side plate for NHT hoist	VS102 N A - VS104 N A	1
29	<a href="#">1114515</a>	Side plate for NHT hoist	VS1....N..A	1
30	<a href="#">1114504</a>	Threaded bar		3
-	<a href="#">1114525</a>	Limit switch assy (travel)		1
-	<a href="#">7541312D</a>	Travel limit switch	C1-C2-C3	1



## 16) Motorgearbox for monorail hoist NHT and LHT



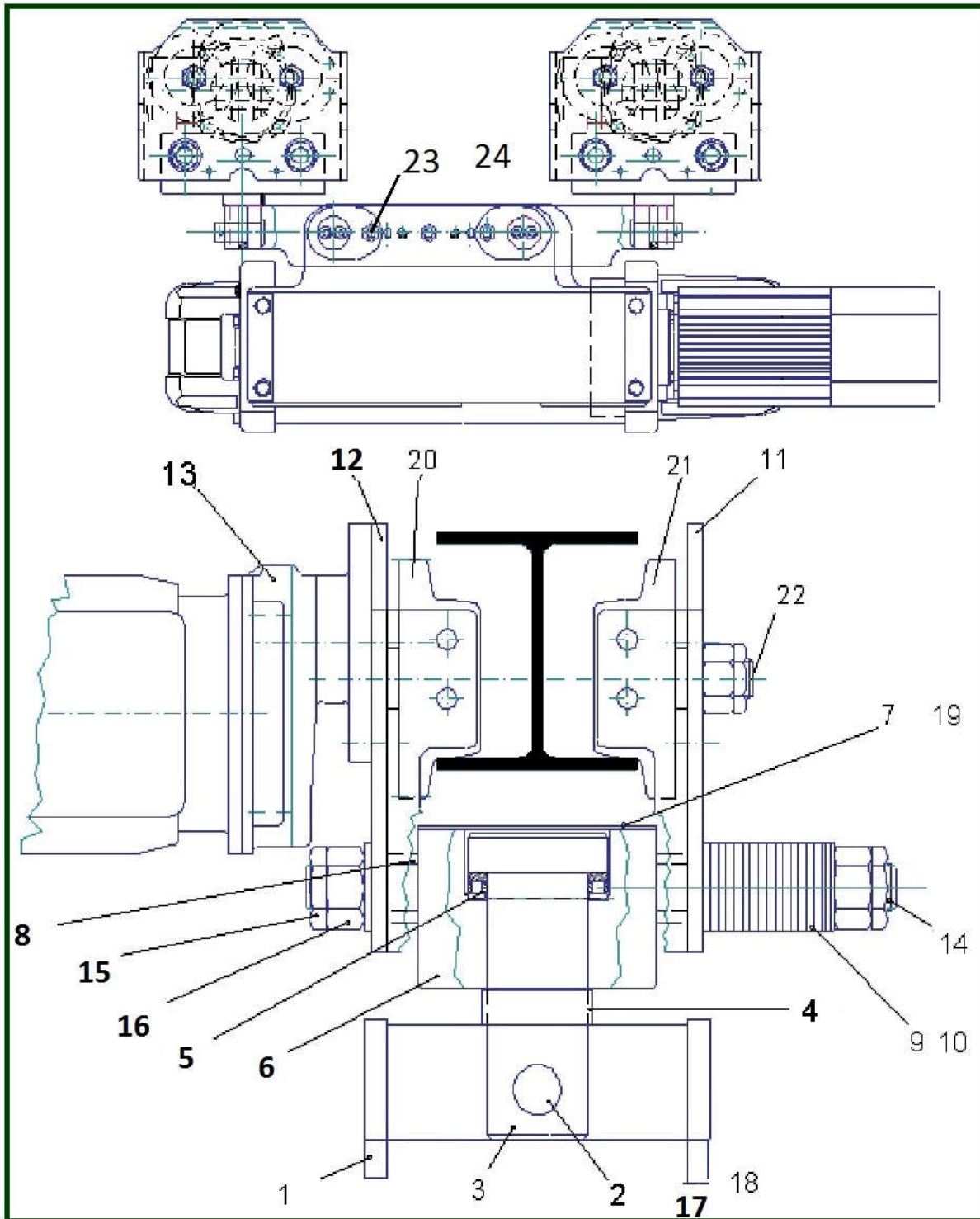
VITESSE	REDUCTEUR	CODE	MOTEUR	CODE * Avant 04/1999	CODE ** Apres 04/1999	Nb.
SPEED	GEAR	CODE	MOTOR	CODE * Before 04/1999	CODE ** After 04/1999	Pc.
POUR PALAN MONORAIL HPN + HPR FOR MONORAIL HOIST SHORT AND NORMAL HEADROOM TROLLEY						
10/2,5	GS332RPC	1	MF07LA104 220V	4	7	1
			MF07LA104 380V	5	8	
			MF07LA104 415V	6	9	
20/5	GS315RPC	2	MF07LA104 220V	4	7	
			MF07LA104 380V	5	8	
			MF07LA104 415V	6	9	
20/5 Apres avril 1999	GS115RPC	3	MF07S104 220V		10	
			MF07S104 380V		11	

\* Avant avril 1999 : moteur prise métal grise Before april 1999 : motor with grey metal plug  
 \*\* Apres avril 1999 : moteur prise plastique noire After april 1999 : motor with black plastic plug  
 Autres vitesses, nous consulter For other speeds, please consult us

item	reference	description	observation	Quantity
1	<a href="#">1117507</a>	Gearbox GS332RPC	Vitesse / Speed 10/2,5	1
2	<a href="#">1117504</a>	Gearbox GS315RPC	Vitesse / Speed 20/5	1
3	<a href="#">1117510</a>	Gearbox GS115RPC	Vitesse / Speed 20/5 Après avril 1999 / After april 1999	1
4	<a href="#">25808102</a>	Travelling motor MF07LA104 3000/750-220V/50Hz-0,25/0,06KW	Prise Wieland avant avril 1999 Wieland plug before april 1999 GS315RPC : VS304<5T & VS306	1
5	<a href="#">25808103</a>	Travelling motor MF07LA104 3000/750-380V/50Hz-0,25/0,06KW	Prise Wieland avant avril 1999 Wieland plug before april 1999 GS315RPC : VS304<5T & VS306	1
6	<a href="#">25808104</a>	Travelling motor MF07LA14 3000/750-415V/50Hz-W415V-0,25/0,06KW	Prise Wieland avant avril 1999 Wieland plug before april 1999 GS315RPC : VS304<5T & VS306	1
7	<a href="#">25808102P</a>	Travelling motor MF07LA104 3000/750-220V/50Hz-0,25/0,06KW	Prise plastique après avril 1999 Plastic plug after april 1999 GS315RPC : VS304<5T & VS306	1
8	<a href="#">25808103P</a>	Travelling motor MF07LA104 MF07LA104-3000/750- 380V/50Hz-0,25/0,06KW	Prise plastique après avril 1999 Plastic plug after april 1999 GS315RPC : VS304<5T & VS306	1
9	<a href="#">25808104P</a>	Travelling motor MF07LA14 3000/750-415V/50Hz-W415V-0,25/0,06KW	Prise plastique après avril 1999 Plastic plug after april 1999	1

10	<u>25808112</u>	Travelling motor MF07S104 3000-750t/mn - 0.20/0.05kw - 230V/50Hz	Prise plastique après avril 1999 Plastic plug after april 1999 VS302	1
11	<u>25808113</u>	Travelling motor MF07S104 3000-750t/mn - 0.20/0.05kw - 400v/50Hz	Prise plastique après avril 1999 Plastic plug after april 1999 VS302	1
12	<u>1113532</u>	Drive wheel - 19 th		1
13	<u>7273458H</u>	Pin		1

## 17) Swivelling trolley



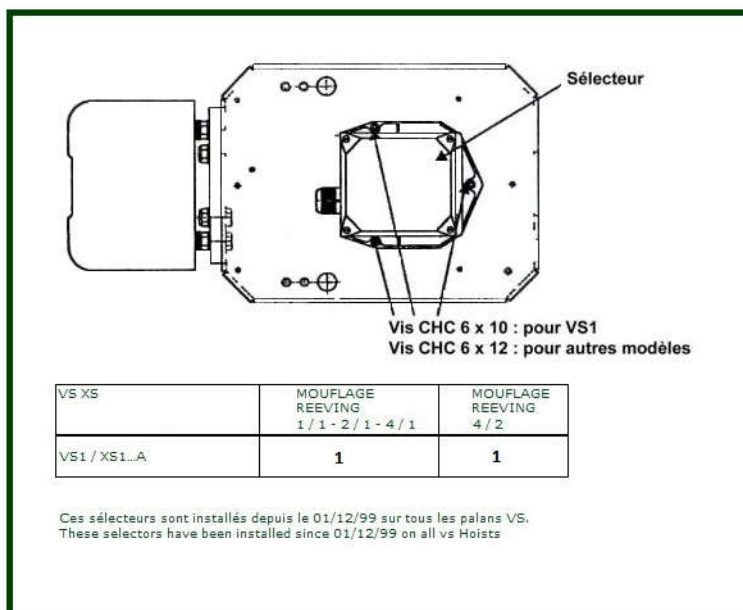
item	reference	description	observation	Quantity
1	V2RAB02A	Beam		1
2	I143515	Pivot shaft		2
3	I139002	Pivoting shaft		2
4	V1RAB21A	Stabilizing washer		2
5	51110	Thrust ball bearing		2

6	<u>V1RAB22A</u>	Swivel pin square		2
7	<u>1139005</u>	Cover		2
8	<u>558968</u>	Spacer tube	C2 - Court/Short & Long	8
9	<u>832112</u>	Washers M24 - 4mm	C2	64
11	<u>558910</u>	Side plate (free) modul		2
12	<u>558911</u>	Side plate (drive) motor	C2	2
13	<u>558986</u>	Gearmotor LS71 11/3 m/mn - 0,12/0.03KW	C1-C2-C3 Plus fourni / Not supplied anymore	2
13	<u>558985</u>	Gearmotor LS71 20/5 m/mn - 0,25/0,06KW	C2-C3 Plus fourni / Not supplied anymore	2
14	<u>558963</u>	Tie rod - 260 mm	C2	4
14	<u>558964</u>	Tie rod - 325 mm	C2	4
14	<u>558965</u>	Tie rod - 390 mm	C2	4
15	<u>831576</u>	PAL nut M24	C2	8
16	<u>831540</u>	Nut H M24	CE - XB	8
17	<u>8150095</u>	Split pin		4
18	<u>832113</u>	Washers M24 - 2mm	C2	4
19	<u>7211151H</u>	Screw		8
20	<u>558919</u>	Driving wheel without shaft	C2 - Ø 80x120 mm	4
21	<u>558918</u>	Ung geared wheel	C2 - Ø 80x120 mm	4
22	<u>558915</u>	Wheel shaft	C2 - Jusqu'en 1999 / until 1999	8
23	<u>1144505</u>	Bar	Lg 250	3
24	<u>831594</u>	NYLSTOP nut - M12 - DIN985	PRC1	12
-	<u>V30165A</u>	Beam	VS204 2..OC	1

## 18) Electrical parts

item	reference	description	observation	Quantity
1	<a href="#">1113045</a>	Circuit braker	63VA 400V/48V	1
1	<a href="#">1113002</a>	Circuit braker		1
2	<a href="#">1113048</a>	Transformer	63 VA	1
3	<a href="#">834490</a>	Push button	2VL+2VD+AU / 2HS+2CT+ES	1
3a	<a href="#">8812152B</a>	Control cable	16x1,5 mm <sup>2</sup>	1
4	<a href="#">7691114G</a>	Counter cover		1
5	<a href="#">1113139</a>	On & Off unit		1
6	<a href="#">1113022</a>	Contacteur		1
7	<a href="#">1133050</a>	Ultimate limit switch-auto reset	Upper limit switch	1
7a	<a href="#">1133051</a>	Ultimate limit switch-manuel reset		1
7b	<a href="#">7541412N</a>	Limit switch contact - Top		1
7c	<a href="#">7541312D</a>	Travel limit switch	C1-C2-C3	1
7c	<a href="#">1123046</a>	Travel limit switch - 2 steps		1
8	<a href="#">1113113</a>	Limit switch	Jusqu'à / To 30/11/99	2
9	<a href="#">1115062</a>	Brake rectifier REC12 For main voltage 230V to 690V	Moteur/Motor P1 à/to P5	1
10	<a href="#">1113043</a>	Motor protector - 48V	MSL 48C	1
10	<a href="#">1113071</a>	Motor protector - 115V	MSL 115C	1
10	<a href="#">1113072</a>	Motor protector - 230V	MSL 230C	1
11	<a href="#">1113011</a>	Auxilliary block		2
11	<a href="#">1113009</a>	Auxilliary block		1
12	<a href="#">1113023</a>	Reversing contactor	400V-48V Levage+direction/Hoisting cross travelling LC2ECO9E (7531023V)	1
12	<a href="#">1113021</a>	Selector contactor	48V	1
13	<a href="#">1113125</a>	Hour counter - 48V-50Hz		1
13	<a href="#">1123044</a>	Hour counter - 110V-50Hz		1
13	<a href="#">7691116J</a>	Hour counter - 220V-50Hz		1
14	<a href="#">1113094</a>	Counter support		1
15	<a href="#">1113101</a>	Monitor+transformer	CU1	1
16	<a href="#">1103001</a>	Monitor+connectors	CU1	1

## 19) Mounting and choosing the came selector



item	reference	description	observation	Quantity
1	<u>GTES67DZM</u>	Rotating limit switch - 4C	XS2 - VS2...C et Z 1/1-2/1-4/1 Depuis/Since 01/12/99	1