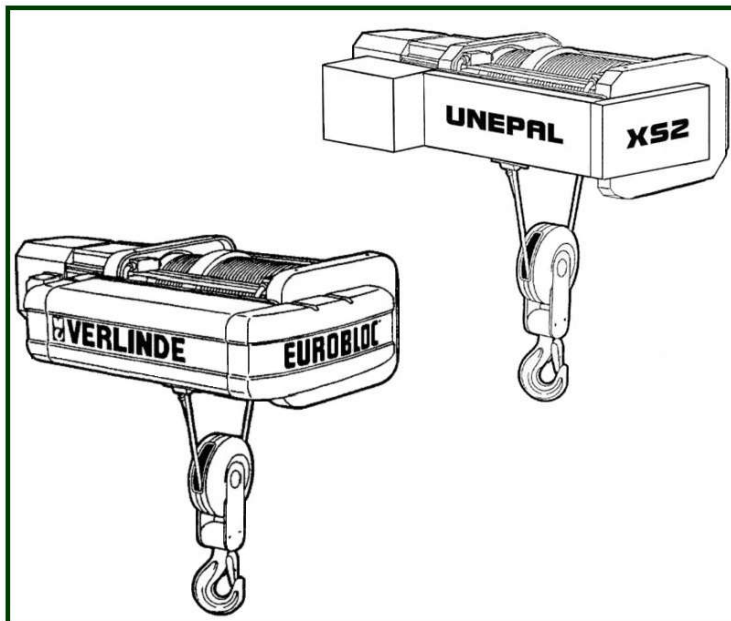


Spare parts catalog for "VS2-XS2"

To avoid errors, when ordering please specify:

- Complete type of hoist
- Date of manufacture and serial number
- Spare part code
- Spare part designation
- Additional information

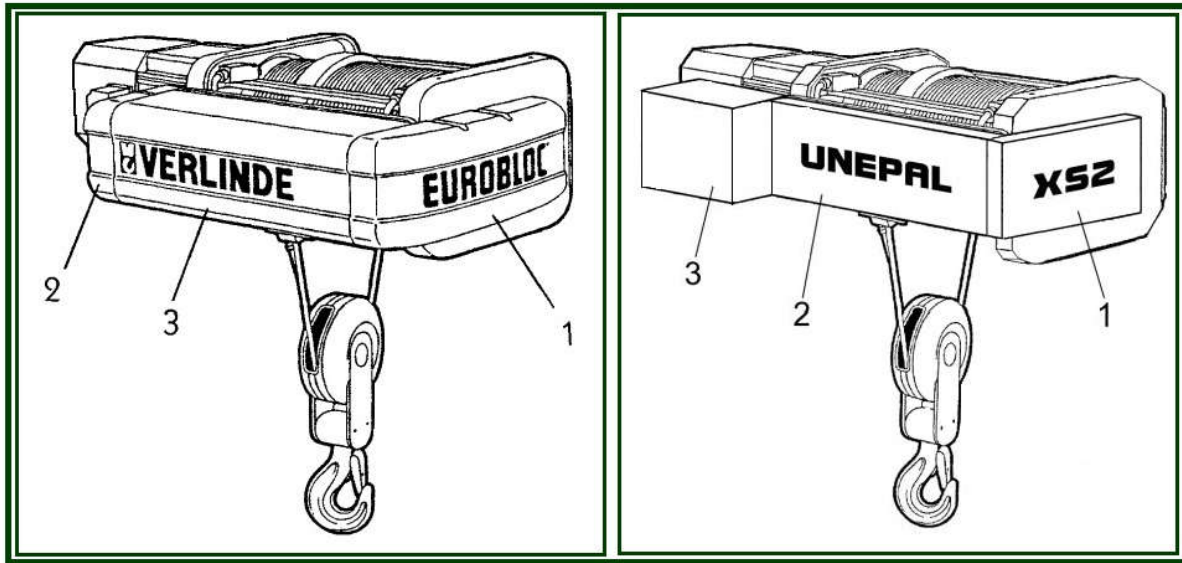


- 0) VS - XS HOIST CODIFICATION
 - 1) COVERS
 - 1.1) Covers for VS2
 - 1.2) Covers for XS2
 - 2) FRAME - SHORT DRUM A
 - 3) FRAME - LONG DRUM C
 - 4) FRAME - DRUM O (VSX) LHT ONLY
 - 5) ROPE DRUM
 - 5.1) Precut rope
 - 6) GEAR
 - 6.1) VS2 A and C drum
 - 6.2) VS2 O drum (VSX)
- 7) ROPE ANCHORAGE SUSPENSION - 2 FALLS - FM AND NHT
- 8) ROPE ANCHORAGE SUSPENSION - 2 FALLS - LHT
 - 8.1) A and C drum
 - 8.2) O drum (VSX)
- 9) ROPE SAVE UNIT - 4 FALLS FM AND NHT
- 10) ROPE SHEAVE UNIT - 4 FALLS - LHT
 - 10.1) A et C Drum
 - 10.2) O Drum (VSX)
- 11) OVERLOAD LIMITOR FM,NHT,LHT- ELECTR.+MECHANICAL WITH OR WITHOUT HALL SENSOR
- 12) OVERLOAD PROTECTION FM, NHT, LHT
- 13) OVERLOAD LIMITOR FM,NHT,LHT - ELECT. MECH + HALL SENSOR
- 14) OVERLOAD LIMITOR FM, NHT, LHT - HALL SENSOR
- 15) LIFTING HOOK - 1 ROPED - 1AM
- 16) LIFTING HOOK - 2 FALLS - 1AM
- 17) LIFTING HOOK - 2 FALLS - 2/3M
- 18) LIFTING HOOK - 4 FALLS - 1AM/2M/3M
- 19) LHT TROLLEY
- 20) NHT TROLLEY
- 21) MOTORGear
 - 21.1) Monorail hoist LHT + NHT
 - 21.2) Double girder
- 22) DOUBLE GIRDER TROLLEY
- 23) WHEEL SET VP09 AND VP11
 - 23.1) Wheel set VP09
 - 23.2) Wheel set VP11
- 24) COMPACT TROLLEY - HPN
- 25) SWIVELLING TROLLEY - HPN
- 26) SWIVELLING TROLLEY - HPN
- 27) ELECTRICAL PARTS
- 28) MOUNTING AND CHOOSING THE CAME SELECTOR

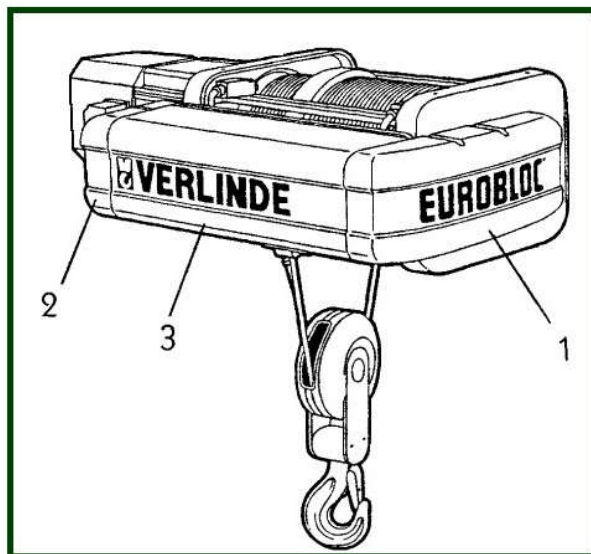
0) VS - XS hoist codification

| ABREVIATIONS | | | | ABREVIATIONS | | | | | | | | |
|---|--|---|--------|--------------|-------------------------|---|-----|----|------|------|---|----|
| (Palan)Fixe | | | | F | Foot Mounted hoist | | FM | | | | | |
| Chariot à Hauteur Perdue Normale | | | | HPN | Normal Headroom Trolley | | NHT | | | | | |
| Chariot à Hauteur Perdue Réduite | | | | HPR | Low Headroom Trolley | | LHT | | | | | |
| CODIFICATION DES PALANS VS / VS HOIST CODIFICATION | | | | | | | | | | | | |
| PALAN VS | | | | | | | | | | | | |
| VS | TAILLE DU CHASSIS | | | | | | | | | | | |
| | 1, 2, 3, 4, 5, 6 | | | | | | | | | | | |
| | 04 1 1 MOUFLAGE Nombre de brins / Sorties de câbles au tambour / Nombre de « crochets » | | | | | | | | | | | |
| | 5 GROUPE ISO 4 = 1Am 5 = 2m 6 = 3m 7 = 4m X = Spécial | | | | | | | | | | | |
| | R 20 CHARIOT(*) / LARGEUR DE FER (**) | | | | | | | | | | | |
| | <ul style="list-style-type: none"> (*) R = HPR N = HPN P = Birail parallèle C = Birail perpendiculaire F = Fixe posé X = Spécial | | | | | | | | | | | |
| | <ul style="list-style-type: none"> (**) • Monorail • 10 = 80...100 • 15 = 100...150 • 20 = 151...250 • 25 = 201...250 • 30 = 251...300 • 35 = 301...350 • 40 = 351...400 • 45 = 401...450 | | | | | | | | | | | |
| | LONGUEUR DE CHASSIS / HAUTEUR DE LEVAGE | | | | | | | | | | | |
| | A, B, C, D, E, F, G, H, J, K, L, M, N | | | | | | | | | | | |
| | VS | 1 | 04 1 1 | 5 | R 20 | A | N | N1 | 23 5 | SE 5 | + | 25 |
| REDUCTEUR / VITESSE | | | | | | | | | | | | |
| L = Lent N = Normal R = Rapide X = Spécial | | | | | | | | | | | | |
| MOTEUR | | | | | | | | | | | | |
| N (1, 2, 3, 4, 5) = 2 vitesses H (2, 3, 4) = Service lourd F (3, 4, 5, 6) = Variation de vitesse X = Spécial (1 = 1,9 kW, 2 = 3,5 kW, 3 = 7,5 kW, 4 = 15 kW, 5 = 30 kW) | | | | | | | | | | | | |
| TENSION D'ALIMENTATION | | | | | | | | | | | | |
| 23 5 = 230V / 50 Hz 40 5 = 400V / 50 Hz 41 5 = 415V / 50 Hz | | | | | | | | | | | | |
| EQUIPEMENT ELECTRIQUE | | | | | | | | | | | | |
| S = Palan solo K = Palan pour kit C = Classic E = Europe H = Hi-tronic 4 = IP 54 5 = IP 55 X = Spécial | | | | | | | | | | | | |
| LIMITEUR DE CHARGE | | | | | | | | | | | | |
| L = Limiteur seul M = Monitor + = Limiteur + monitor | | | | | | | | | | | | |
| DIRECTION | | | | | | | | | | | | |
| 16 = 16/4 20 = 20/5 25 = 25/6,3 NO = Non CH = Chaîne XX = Spécial | | | | | | | | | | | | |
| CONCEPTION SPECIALE | | | | | | | | | | | | |
| N = Non M = Mécanique E = Electrique D = Divers | | | | | | | | | | | | |

1) Covers



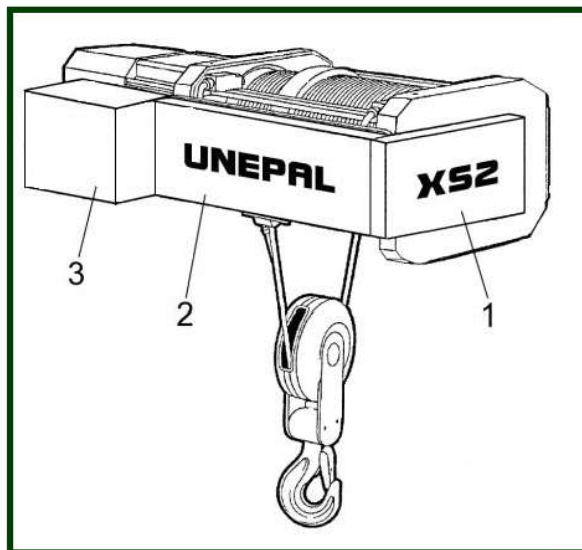
1.1) Covers for VS2



| item | reference | description | observation | Quantity |
|------|-----------------|------------------|--|----------|
| 1 | <u>V3FAB03D</u> | Cover | A partir de décembre 1999 / From december 1999 | 1 |
| 1 | <u>1135021</u> | Cover | Jusqu'à fin novembre 1999 / Up to novembre 1999 N'est plus fourni / Not any more supplied | 1 |
| 2 | <u>1135023</u> | Cover | | 1 |
| 3 | <u>1135030</u> | Electric cubicle | VS2...C - VS3...A(*) | 1 |
| 3 | <u>1135130</u> | Electric cubicle | VS3...C VS306...D et E(*) | 1 |

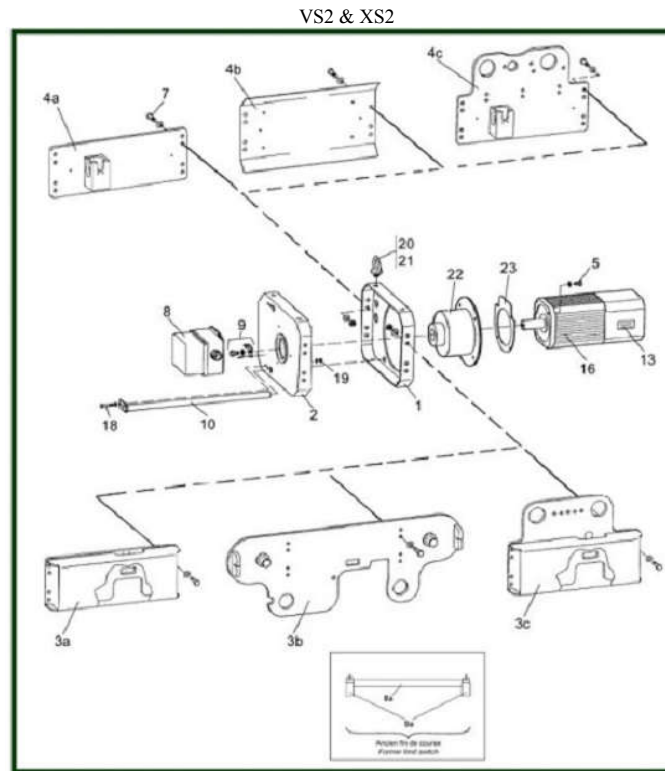
1.2) Covers for XS2

Pièces à la commande, merci de préciser l'année de fabrication - Parts on order, please indicate the year of manufacturing



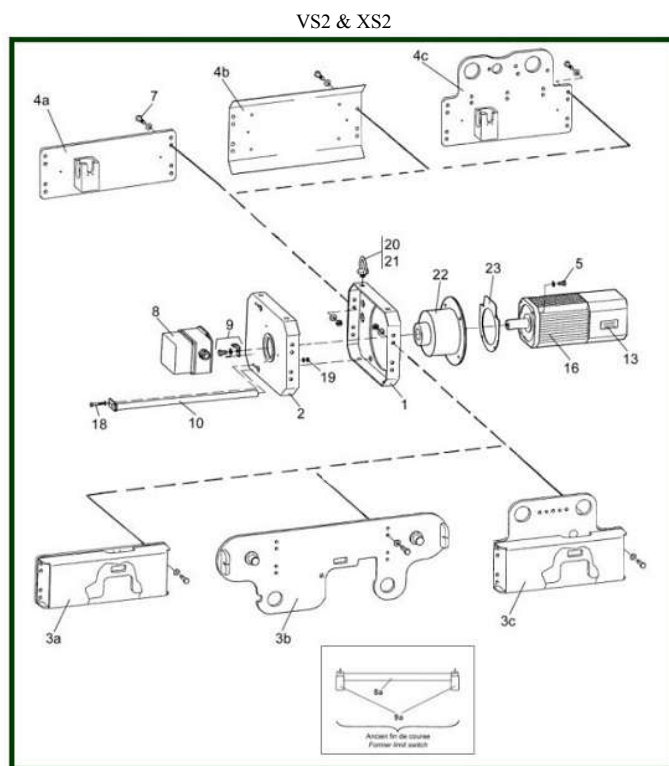
| item | reference | description | observation | Quantity |
|------|--------------------------|--------------------------|-----------------------------------|----------|
| 1 | S3FAB03B | Opposit motor side cover | XS2 & XS3 A et C Seulement / Only | 1 |
| 2 | S3FA002B | Side cover | XS2 & XS3 A et C Seulement / Only | 1 |
| 2 | S3FA001B | Side cover | XS2 & XS3 A et C Seulement / Only | 1 |
| 3 | 1101375 | Electric cubicle | XS2 A et C Seulement / Only | 1 |

2) Frame - Short drum A



| item | reference | description | observation | Quantity |
|------|----------------------------|---|---|----------|
| 1 | 1135040 | End plate - Motor side | | 1 |
| 2 | 1135050 | End plate - Opposite motor side | | 1 |
| 3a | 1135014 | Side plate (4/1) | XS2 - VS2...N..A - XS3 - VS204...F..A | 1 |
| 3b | 1133511 | Side plate - LHT | XS2 - VS202...R..A - XS3 - VS302...R..A - VS304...R..A | 1 |
| 3c | 1134514 | Side plate - NHT | VS2 N A - VS302...N..A VS304...N..A | 1 |
| 4a | 1135017 | Side plate - Fixed | XS2 - VS2...F..A - XS3 - VS3...F..A | 1 |
| 4b | 1135011 | Side plate - LHT | XS2 - VS2...R..A - VS202...F - XS3 - VS3...R..A - VS302...F...A | 1 |
| 4c | 1134515 | Side plate - NHT | XS2 - VS2...N..A - XS3 - VS3...N..A | 1 |
| 5 | 830903 | CHC screw 10 x 25 | Moteur N2 - Vis à coller / Screw paste | 4 |
| 7 | NC VF | Fixing screw set | | 8 |
| 8 | GTES110DZM | Rotating limit switch - 4C | VS2...C et Z 1/1 - 2/1 - 4/1 - Depuis/Since 01/12/99 | 1 |
| 8 | GTES67DZM | Rotating limit switch - 4C | XS2 - VS2...C et Z 1/1-2/1-4/1 Depuis/Since 01/12/99 | 1 |
| 8a | 1111022 | Limit switch shaft | VS3...A - Lg 530 mm - Jusqu'au / Until 30/11/99 | 1 |
| 9 | 1124020 | Fixing set + cam selector bracket | Depuis/Since le 01/12/99 | 1 |
| 9a | 1113113 | Limit switch | Jusqu'à / To 30/11/99 | 2 |
| 10 | 1111028 | Rope guide support shaft | VS1...A - VS3...A | 1 |
| 13 | 1006501 | Identification plate sticker | | 1 |
| 16 | 1127002 | Motor 230V/50Hz - 3,5/0,5Kw | VS3...N2 | 1 |
| 16 | 1127004 | Motor 380V/50Hz - 440V/60Hz - 3,5/0,5Kw | VS3...N2 | 1 |
| 16 | 1127001 | Motor 400V/50Hz - 460V/60Hz - 3,5/0,5Kw | VS3...N2 | 1 |
| 16 | 1127003 | Motor 415V/50Hz - 3,5/0,5Kw | VS3...N2 | 1 |
| 18 | 830905 | CHC Screw 8X20 | | 1 |
| 19 | 831504 | Brake washer AZ M8 | VS4...B...D - VS5...D/E | 1 |
| 20 | 1140006 | Lifting hook | Fixe (2) - HPN (4) - HPR (1) | 2 |
| 21 | 831594 | NYLSTOP nut - M12 - DIN985 | PRC1 | 1 |
| 22 | 1127502 | Gearbox | 3G2300 | 1 |
| 23 | 1137550 | Plate | VS3...N2 Seulement pour / Only for 3G2200 | 1 |

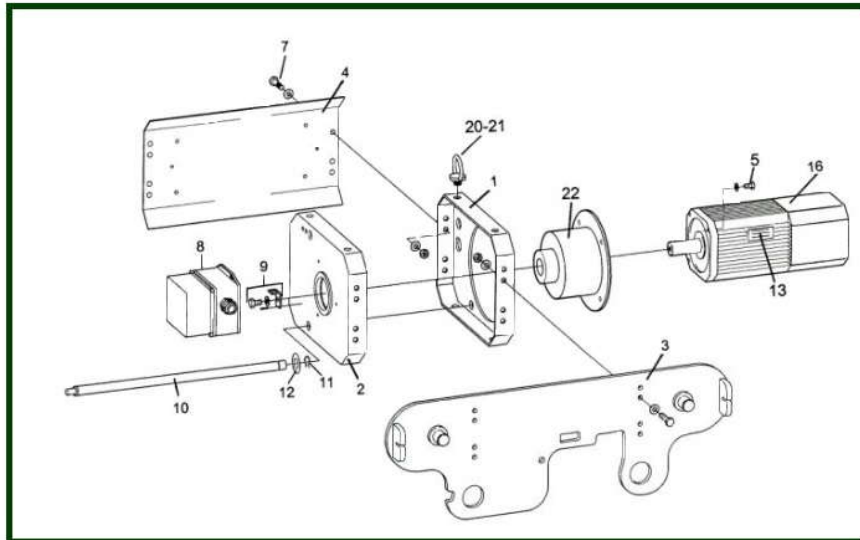
3) Frame - Long drum C



| item | reference | description | observation | Quantity |
|-------|----------------------------|---|--|----------|
| 1 | 1135040 | End plate - Motor side | | 1 |
| 2 | 1135050 | End plate - Opposite motor side | | 1 |
| 3a 4b | 1135111 | Side plate for LHT hoist (2/1) | XS2 - VS2...R - VS202...F..C - VS202...R..C | 1 |
| 3a | 1135114 | Side plate for FM hoist (4/1) | XS2 - VS204...F..C | 1 |
| 3b | 1133611 | Side plate for LHT hoist - Idle side | XS2 - VS202...R..C - VS204...R..C | 1 |
| 3c | 1134614 | Side plate NHT | XS2-VS202...N..C - VS204...N..C | 1 |
| 4a | 1135117 | Side plate for LHT hoist | XS2 - VS2...F..C | 1 |
| 4c | 1134615 | Welded side plate | XS2-VS2...N...C | 1 |
| 5 | 830903 | CHC screw 10 x 25 | Moteur N2 - Vis à coller / Screw paste | 1 |
| 7 | NCVF | Fixing screw set | | 1 |
| 8 | GTES110DZM | Rotating limit switch - 4C | VS2...C et Z 1/1 - 2/1 - 4/1 - Depuis/Since 01/12/99 | 1 |
| 8a | 1111122 | Limit switch shaft | XS2 - VS2.....C - Jusqu'au / until 30/11/99 | 1 |
| 9 | 1124020 | Fixing set + cam selector bracket | Depuis/Since le 01/12/99 | 1 |
| 9a | 1113113 | Limit switch | Jusqu'à / To 30/11/99 | 2 |
| 10 | 1111030 | Rope guide support shaft | XS2 - VS2.....C | 1 |
| 13 | 1006501 | Identification plate sticker | | 1 |
| 16 | 1127002 | Motor 230V/50Hz - 3,5/0,5Kw | VS3...N2 | 1 |
| 16 | 1127004 | Motor 380V/50Hz - 440V/60Hz - 3,5/0,5Kw | VS3...N2 | 1 |
| 16 | 1127001 | Motor 400V/50Hz - 460V/60Hz - 3,5/0,5Kw | VS3...N2 | 1 |
| 16 | 1127003 | Motor 415V/50Hz - 3,5/0,5Kw | VS3...N2 | 1 |
| 18 | 830905 | CHC Screw 8X20 | | 1 |
| 19 | 831504 | Brake washer AZ M8 | VS4...B...D - VS5.....D/E | 1 |
| 20 | 1110006 | Eye boit | Fixe (2) - HPN/NHT (4) - HPR/LHT (1) | 4 |
| 21 | 831594 | NYLSTOP nut - M12 - DIN985 | PRC1 | 1 |
| 22 | 1127502 | Gearbox | 3G2300 | 1 |
| 23 | 1137550 | Plate | VS3...N2 Seulement pour / Only for 3G2200 | 1 |

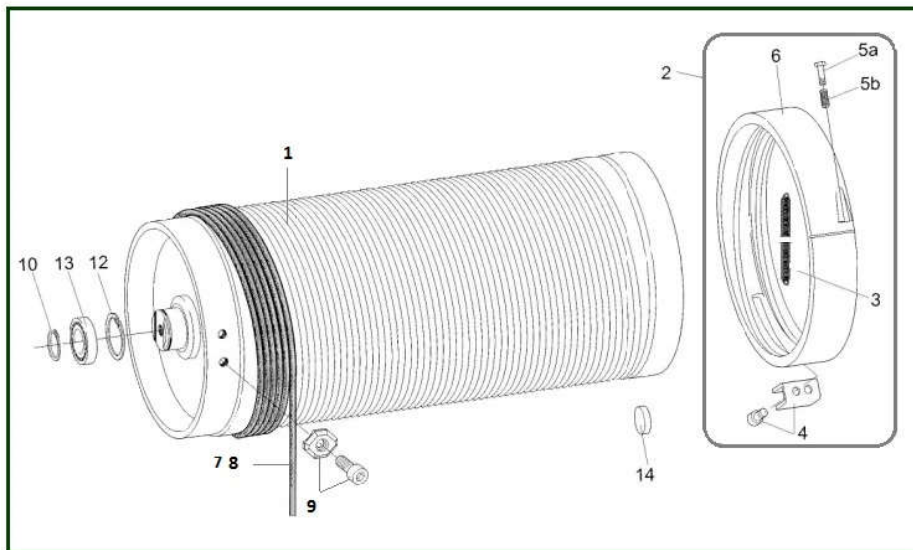
4) Frame - Drum O (VSX) LHT only

Hauteur Perdue Réduite-Fabriqué à partir de Janvier 2000 / Low Headroom Trolley - Manufactured since january 2000



| item | reference | description | observation | Quantity |
|------|---------------------------|---|---|----------|
| 1 | VXFAA00A | Motor side and plate | N.C. | 1 |
| 2 | VXFAB00A | Opposite motor side and plate | N.C. | 1 |
| 3 | VXLAA10A | Side plate for LHT hoist - Idle side | * XS2-VS2..R..O (VSX) | 1 |
| 4 | VXBAP01A | Side plate cubicle side | N.C. | 1 |
| 5 | 830905 | CHC Screw 8X20 | | 4 |
| 7 | NC VF | Fixing screw set | | 1 |
| 8 | GTES67DZM | Rotating limit switch - 4C | XS2 - VS2...C et Z 1/1-2/1-4/1 Depuis/Since 01/12/99 | 1 |
| 9 | 1114020 | Kixing set + cal selectir bracket | Depuis / Since 01/12/99 | 1 |
| 10 | VXD1E0A1 | Rope guide support shaft | | 1 |
| 11 | 830860 | Exterior circlip - Ø 20 | C2 | 1 |
| 12 | 7231202C | Washer | | 1 |
| 13 | 1006501 | Identification plate sticker | | 1 |
| 16 | 1127002 | Motor 230V/50Hz - 3,5/0,5Kw | VS3...N2 | 1 |
| 16 | 1127004 | Motor 380V/50Hz - 440V/60Hz - 3,5/0,5Kw | VS3...N2 | 1 |
| 16 | 1127001 | Motor 400V/50Hz - 460V/60Hz - 3,5/0,5Kw | VS3...N2 | 1 |
| 16 | 1127003 | Motor 415V/50Hz - 3,5/0,5Kw | VS3...N2 | 1 |
| 20 | 1110006 | Eye boit | Fixe (2) - HPN/NHT (4) - HPR/LHT (1) | 4 |
| 21 | 831504 | Brake washer AZ M8 | VS4...B...D - VS5...D/E | 1 |
| 22 | 2G2200 | Gearbox 2G2200 | | 1 |

5) Rope drum



| VS2 A | VS2 A | Longueur à couper / Length to be cut | Code câble / Rope reference |
|------------|------------------------|--------------------------------------|-----------------------------|
| 1 brin | 1 Fall | 44.00 | 8 |
| 2/1 | 2/1 | 45.00 | |
| 4/1 | 4/1 | 46.00 | |
| 2/1 Boggie | 2/1 Swivelling trolley | 45.00 | |
| 4/1 Boggie | 4/1 Swivelling trolley | 46.00 | |
| VS2 C | VS2 C | Longueur à couper / Length to be cut | Code câble / Rope reference |
| 1 brin | 1 Fall | 64.00 | 8 |
| 2/1 | 2/1 | 65.00 | |
| 2/1 Hpr | 2/1 | 65.00 | |
| 4/1 | 4/1y | 66.00 | |
| 2/1 Boggie | 2/1 Swivelling trolley | 65.00 | |
| 4/1 Boggie | 4/1 Swivelling trolley | 66.00 | |
| VS2 O | VS2 O | Longueur à couper / Length to be cut | Code câble / Rope reference |
| 2/1 HPR | 2/1 HPR | 27.30 | 8 |
| 4/1HPR | 4/1 HPR | 31.20 | |
| VS2 Z | VS2 Z | Longueur à couper / Length to be cut | Code câble / Rope reference |
| 2/1 | 2/1 | 81.00 | 7 |

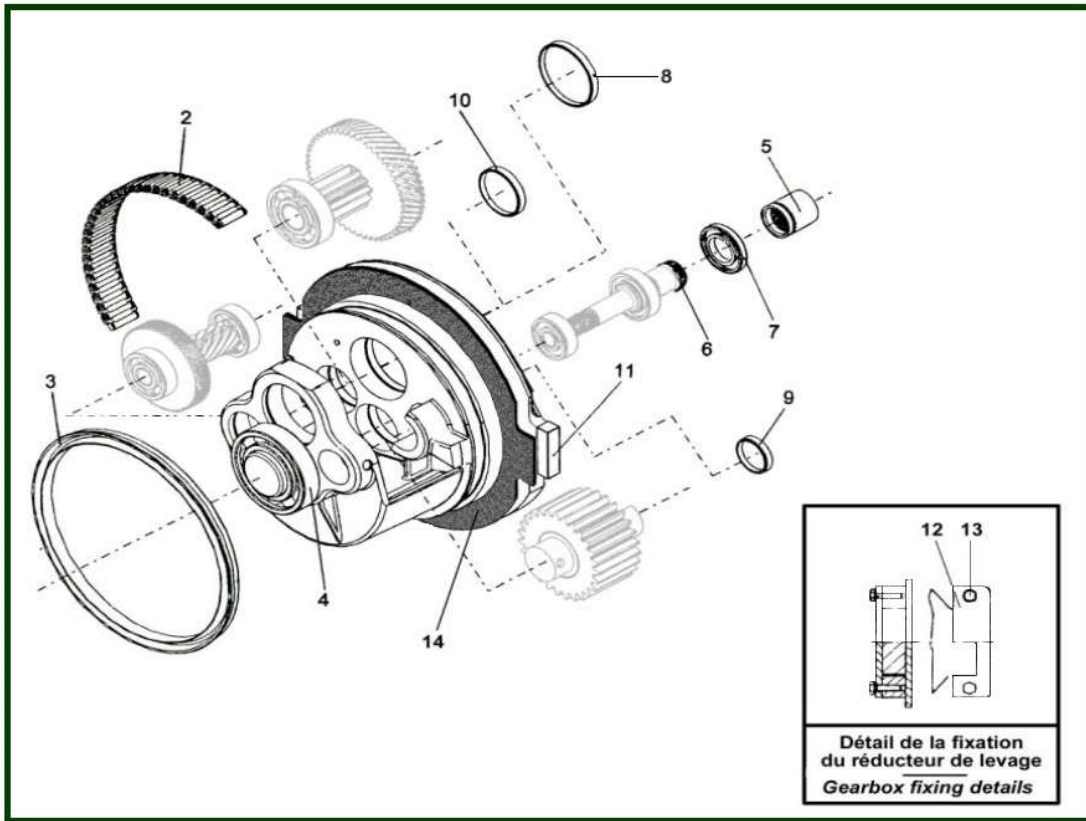
| item | reference | description | observation | Quantity |
|------|--------------------------|------------------------------------|---|----------|
| 1 | VXD1010A | Rope drum - Lg 453 | VS2....O (VSX) | 1 |
| 1 | 1120500 | Rope drum - Lg 550 | VS2.....A | 1 |
| 1 | 1120600 | Rope drum - Lg 760 | VS2.....C | 1 |
| 2 | P2D1056 | Complete rope guide - Ø 7 - Right | VS2....O (VSX) | 1 |
| 2 | 1120539 | Complete rope guide - P6,3 - Right | VS2....Z | 1 |
| 2 | 1120540 | Rope guide - P7.8 - Ø 7 - Right | VS2...A et C VS202 VS204 Standard VS304 Levage centré/ True vertical | 1 |
| 3 | 1111009 | Spring - Lg 600 | VS2 | 1 |
| 3 | 1111008 | Spring - Lg 750 | | 1 |

| | | | | |
|----|-----------------|-------------------------|--|---|
| 4 | <u>1131014</u> | Guide | Palan avant 1996 / Hoist before 1996 | 1 |
| 4 | <u>1111014</u> | Shape guide | | 1 |
| 5a | <u>554347</u> | Screw | VS1-VS2 | 2 |
| 5b | <u>12332001</u> | Pressure spring | VS1-VS2 | 2 |
| 7 | <u>1111042</u> | Left rope - Ø 6 | VS1...A - VS2 Z | 2 |
| 8 | <u>1121042</u> | Left rope - Ø 7 | VS1...A - VS2A-VS2C-VS2O-VS2 Z - VS3A-VS3C | 2 |
| 9 | <u>12133001</u> | Rope anchor on drum | VS2-VS4 | 3 |
| 10 | <u>400081</u> | Circlip | VS2.....A et C | 1 |
| 10 | <u>100051</u> | External circlip - Ø 30 | VS2....O (VSX) | 1 |
| 12 | <u>300080</u> | Circlip | VS2.....A et C | 1 |
| 12 | <u>300079</u> | Circlip - Ø 62 | C3-C5- VS2... O (VSX) | 1 |
| 13 | <u>8110071</u> | Bearing | VS2.....A et C | 1 |
| 13 | <u>7412064S</u> | Bearing | VS2....O (VSX) | 1 |
| 14 | <u>1111540</u> | Magnet set | VS1-VS2-VS3 | 2 |

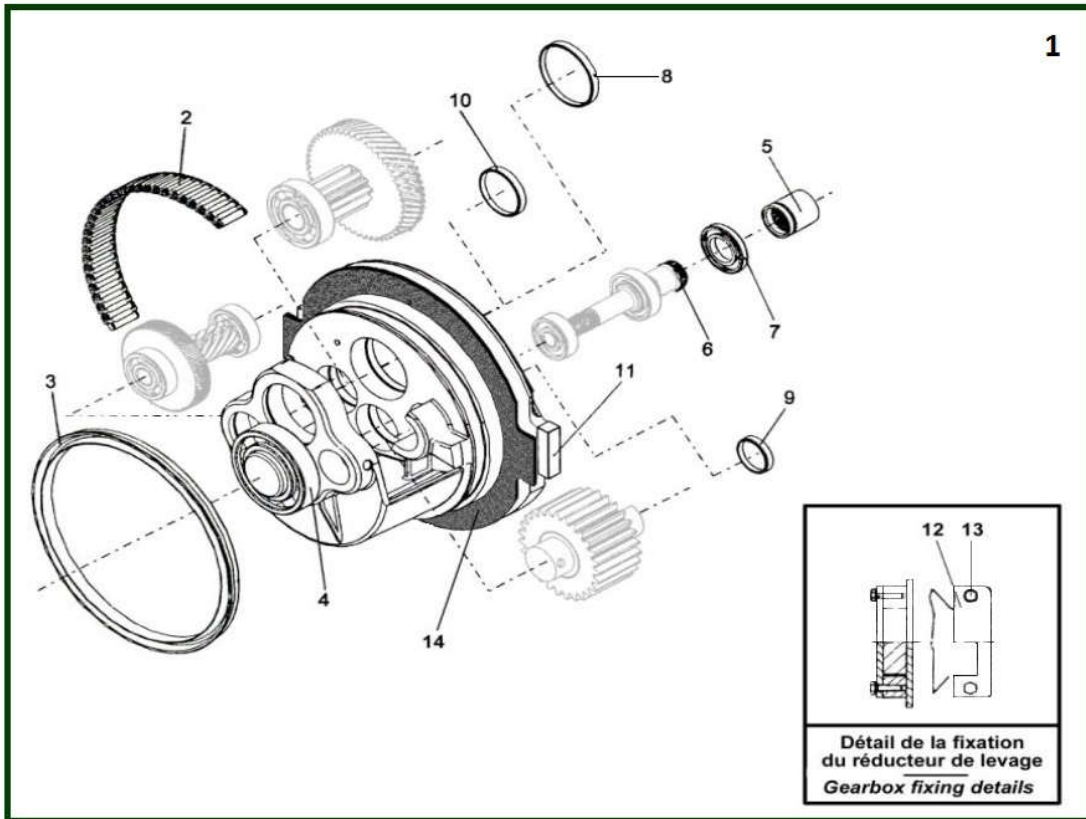
5.1) Precut rope

| item | reference | description | observation | Quantity |
|-------------|------------------|------------------------|--------------------|-----------------|
| | <u>53022867</u> | Wire rope - Ø 6 - Left | Lg 36m | 1 |
| | <u>53022644</u> | Wire rope - Ø 6 - Left | Lg 37m | 1 |
| | <u>53022836</u> | Wire rope - Ø 6 - Left | Lg 38m | 1 |

6) Gear

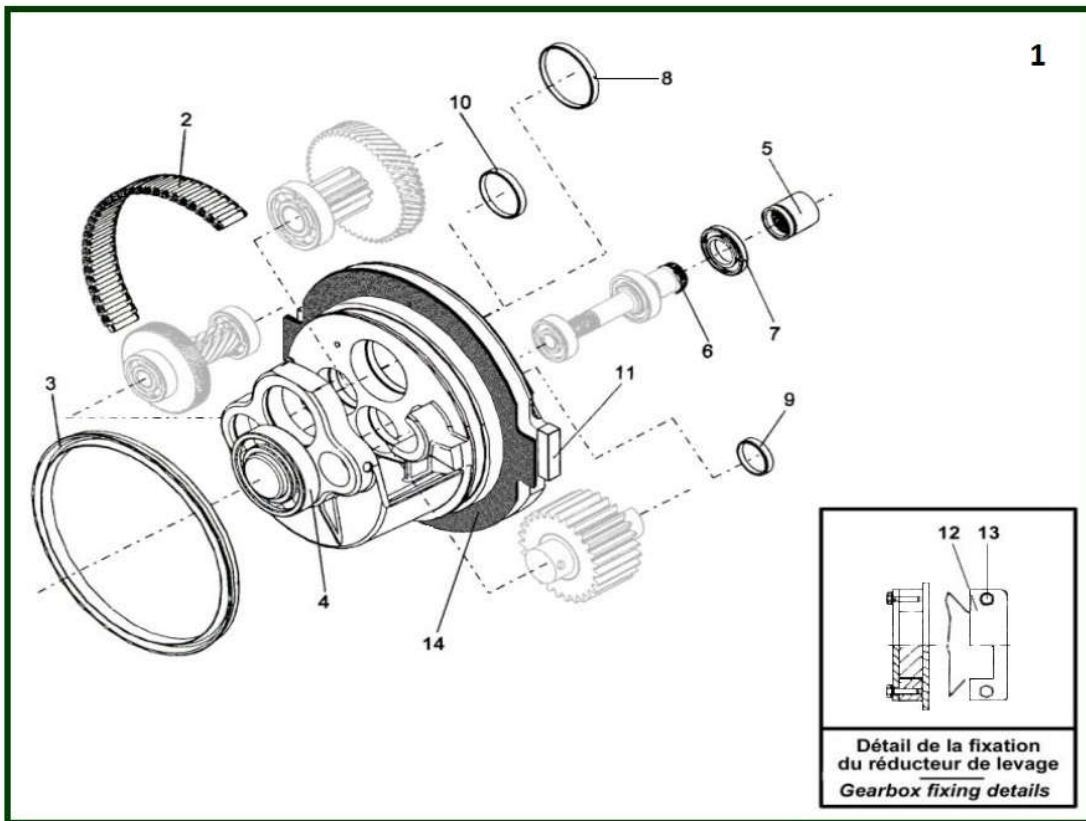


6.1) VS2 A and C drum



| item | reference | description | observation | Quantity |
|------|--------------------------|-----------------------|---|----------|
| 1 | 1127502 | Gearbox | 3G2300 | 1 |
| 2 | P3G0004 | Bearing | | 1 |
| 3 | P3G0005 | Sealing | | 1 |
| 4 | 8110080 | Bearing | | 1 |
| 5 | P1G0005 | Coupling | VS1 N1 | 1 |
| 6 | P1G0006 | O-ring | VS3 N2 | 1 |
| 7 | P3G0011 | Sealing | | 1 |
| 8 | P2G0005 | Cap | VS3 N2 | 1 |
| 9 | P3G0013 | Cap | | 1 |
| 10 | P3G0015 | Cap | | 1 |
| 11 | 1131038 | Set of 2 plastic caps | Set de cales + plaques / Set of wedge + stick | 1 |
| 12 | 1131036 | Gear fixing plates | | 1 |
| 13 | 830201 | Exterior circlip | C3 | 4 |
| 14 | S3G0011A | Flat plate | VS3...N2 | 1 |

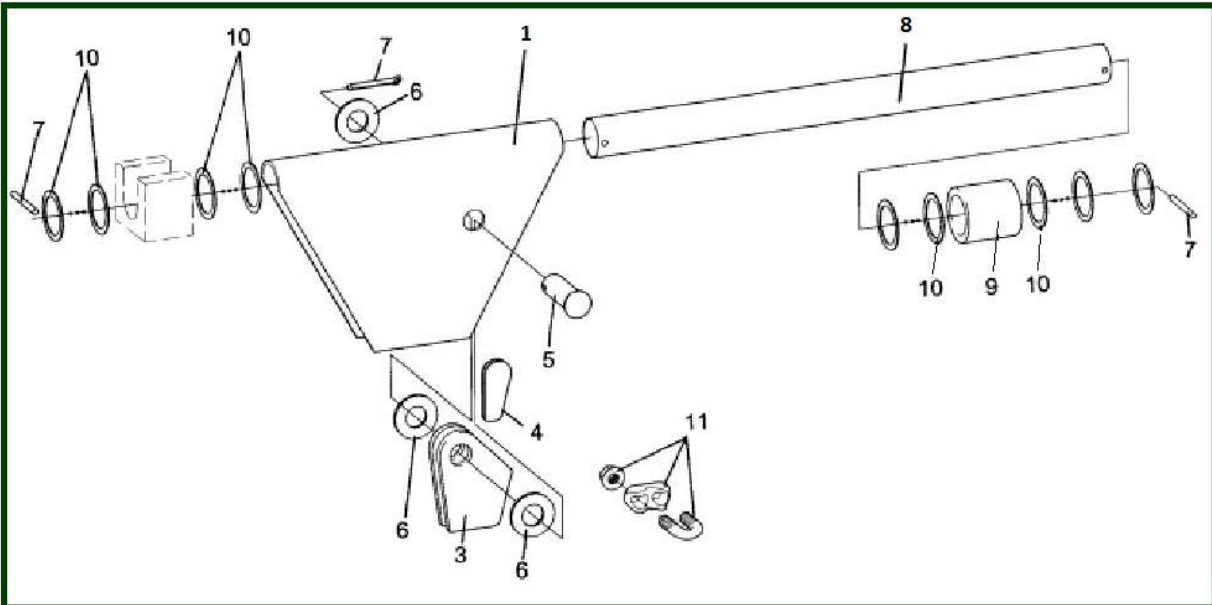
6.2) VS2 O drum (VSX)



| item | reference | description | observation | Quantity |
|------|-----------|-----------------------|---|----------|
| 1 | 2G2200 | Gearbox 2G2200 | | 1 |
| 2 | P2G0002 | Bearling | | 1 |
| 3 | P2G0003 | Seal | | 1 |
| 4 | 1306 | Bearing | RLT 1306 XL200 | 1 |
| 5 | P1G0005 | Coupling | VS1 N1 | 1 |
| 6 | P1G0006 | O-ring | VS3 N2 | 2 |
| 7 | 7460505V | Seal | | 1 |
| 8 | P1G0008 | Cap | | 1 |
| 9 | P1G0010 | Cap | | 1 |
| 10 | P2G0005 | Cap | VS3 N2 | 1 |
| 11 | 1111038 | Set of 2 plastic caps | Set de cales + plaques / Set of wedge + stick | 1 |
| 12 | 1111036 | Gear fixing plates | | 2 |
| 13 | 830201 | Exterior circlip | C3 | 4 |
| 14 | S3G0011A | Flat plate | VS3...N2 | 1 |

7) Rope anchorage suspension - 2 falls - FM and NHT

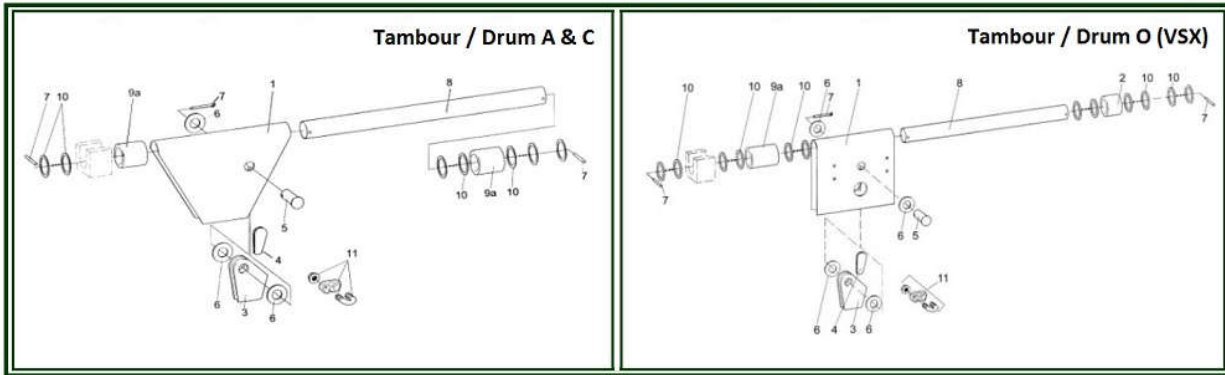
Hauteur Perdue Normale / Normal Headroom Trolley



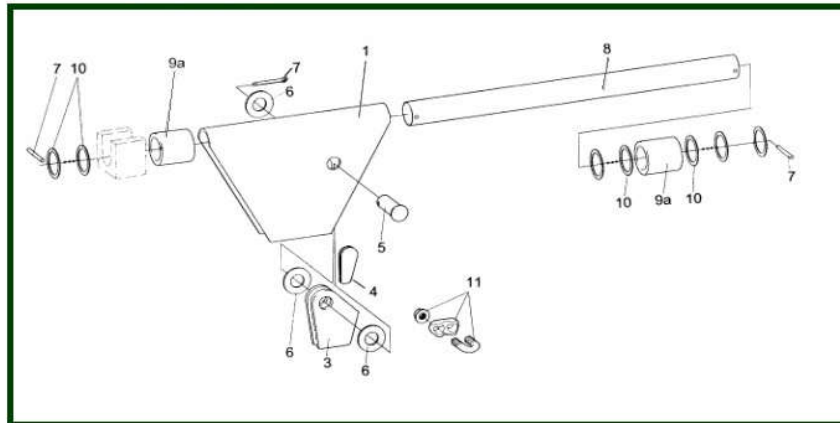
| item | reference | description | observation | Quantity |
|------|--------------------------|-----------------------|--------------|----------|
| 1 | 1132510 | Support | VS2... A & C | 1 |
| 3 | 1112527 | Key housing | | 1 |
| 4 | 1122530 | Key | | 1 |
| 5 | 1112515 | Anchor point shaft | | 1 |
| 6 | 7231202C | Washer | | 1 |
| 7 | 831662 | Pin | | 1 |
| 8 | 1112518 | Support shaft | | 1 |
| 9 | 1132524 | Sleeve | VS2... A & C | 1 |
| 10 | 8110003 | Washer | | 18 |
| 11 | 7333080Q | Bull dog grip - ø 8,5 | DIN741-6.5 | 1 |

8) Rope anchorage suspension - 2 falls - LHT

Hauteur Perdue Réduite / Low Headroom Trolley

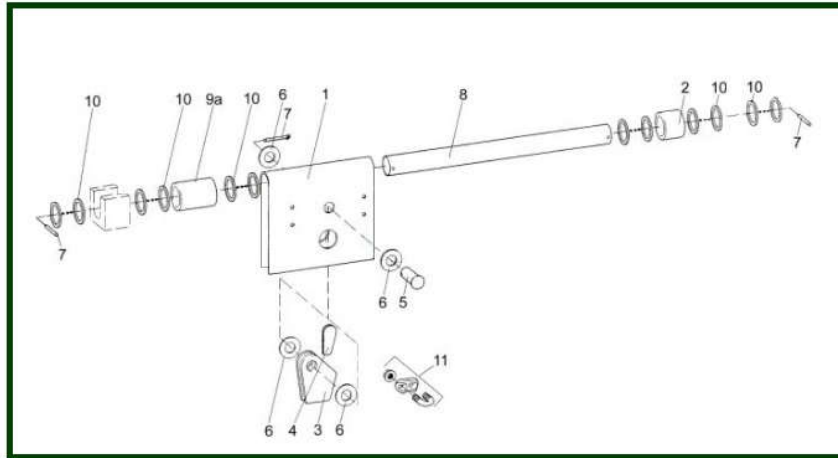


8.1) A and C drum



| item | reference | description | observation | Quantity |
|------|--------------------------|-----------------------|--------------|----------|
| 1 | 1132510 | Support | VS2... A & C | 1 |
| 3 | 1112527 | Key housing | | 1 |
| 4 | 1122530 | Key | | 1 |
| 5 | 1112515 | Anchor point shaft | | 1 |
| 6 | 7231202C | Washer | | 3 |
| 7 | 831662 | Pin | | 3 |
| 8 | 1132518 | Support Shaft | VS2... A & C | 1 |
| 9a | 1132524 | Sleeve | VS2... A & C | 2 |
| 10 | 8110003 | Washer | | 14 |
| 11 | 7333080Q | Bull dog grip - ø 8,5 | DIN741-6.5 | 1 |

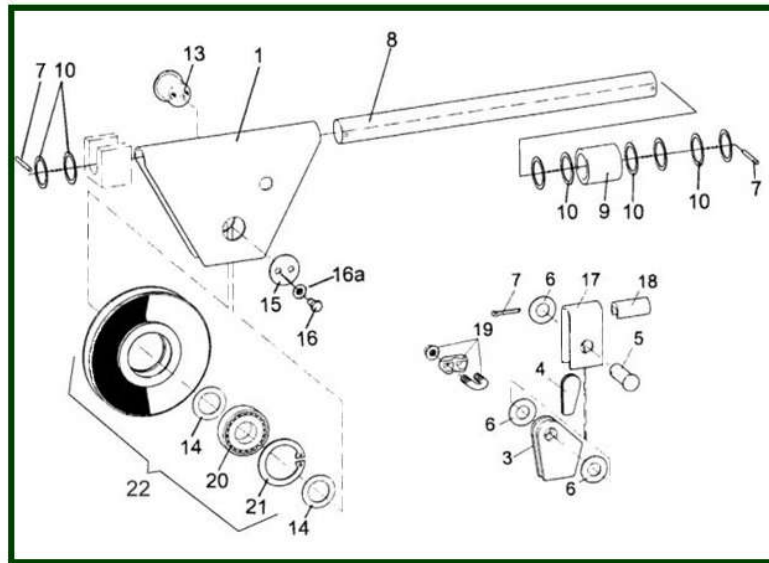
8.2 O drum (VSX)



| item | reference | description | observation | Quantity |
|------|--------------------------|-----------------------|--------------|----------|
| 1 | 1112510 | Support | | 1 |
| 2 | 1112524 | Sleeve | VS F/N/R | 1 |
| 3 | 1112527 | Key housing | | 1 |
| 4 | 1122530 | Key | | 1 |
| 5 | 1112515 | Anchor point shaft | | 1 |
| 6 | 7231202C | Washer | | 3 |
| 7 | 831662 | Pin | | 3 |
| 8 | 1112518 | Support shaft | | 1 |
| 9a | 1132524 | Sleeve | VS2... A & C | 2 |
| 10 | 1112521 | Sleeve | VS F/N/R | 1 |
| 11 | 7333080Q | Bull dog grip - ø 8,5 | DIN741-6.5 | 1 |

9) Rope save unit - 4 falls FM and NHT

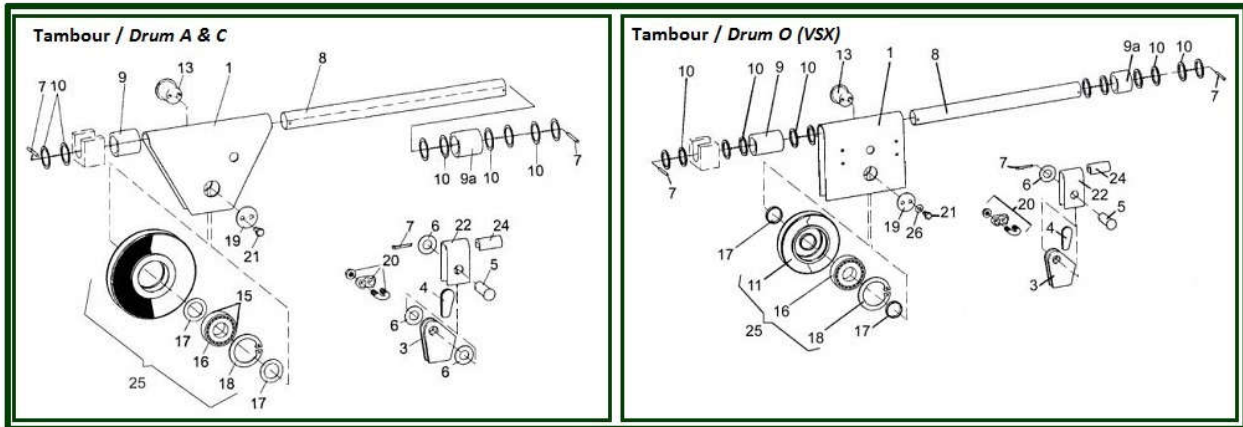
Hauteur Perdue Normale / Normal Headroom Trolley



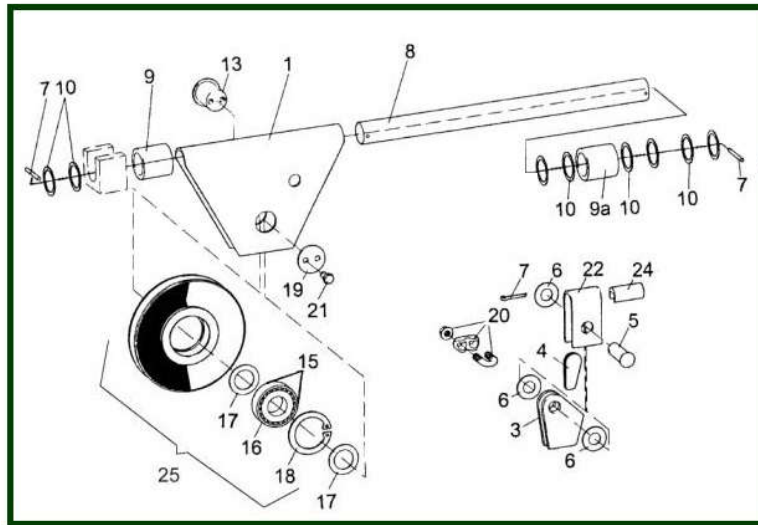
| item | reference | description | observation | Quantity |
|------|---------------------------|-----------------------------|---|----------|
| 1 | 1132510 | Support | VS2... A & C | 1 |
| 3 | 1112527 | Key housing | | 1 |
| 4 | 1122530 | Key | | 1 |
| 5 | 1112515 | Anchor point shaft | | 1 |
| 6 | 7231202C | Washer | | 1 |
| 7 | 831662 | Pin | | 1 |
| 8 | 1112518 | Support shaft | | 1 |
| 9 | 1132524 | Sleeve | VS2... A & C | 1 |
| 10 | 8110003 | Washer | | 1 |
| 13 | 1112506 | Pulley Shaft | | 1 |
| 14 | 1112503 | Sleeve | | 2 |
| 15 | 1112509 | Washer | | 1 |
| 16 | 830201 | Exterior circlip | C3 | 2 |
| 16a | 811011 | Washer | | 1 |
| 17 | 1112534 | Rope and support | | 1 |
| 18 | 1132532 | Sleeve | | 1 |
| 19 | 73333080Q | Rope clamp | | 1 |
| 20 | 8110307 | Bearing | | 1 |
| 21 | 8130092 | Circlip | | 1 |
| 22 | 1112520 | Complete pulley - Ø 125 | 1AM 20+21+11VS2 A, C et O | 1 |
| 22 | 1122520 | Pulley with bearing - Ø 125 | 2M/3M - Poulie+Circlip Ø 80+Roulement / Pulley+Circlip Ø 80+Bearing | 1 |

10) Rope sheave unit - 4 falls - LHT

Hauteur Perdue Réduite / Low Headroom Trolley

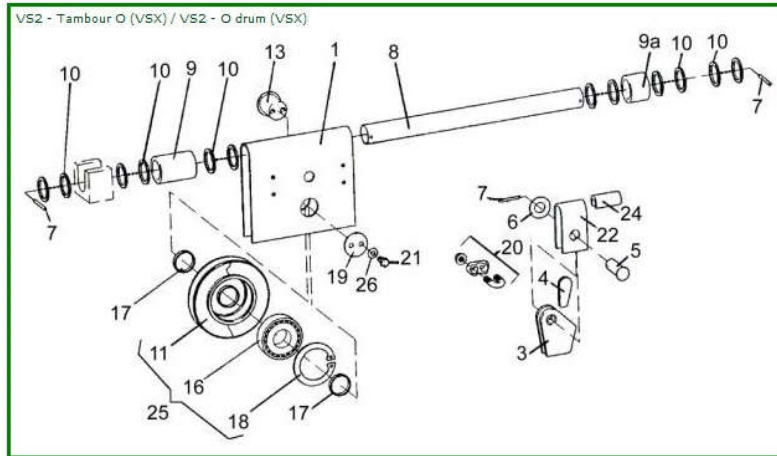


10.1) A and C Drum



| item | reference | description | observation | Quantity |
|------|--------------------------|-----------------------------|---|----------|
| 1 | 1132510 | Support | VS2... A & C | 1 |
| 3 | 1112527 | Key housing | | 1 |
| 4 | 1122530 | Key | | 1 |
| 5 | 1112515 | Anchor point shaft | | 1 |
| 6 | 7231202C | Washer | | 3 |
| 7 | 831662 | Pin | | 1 |
| 8 | 1132518 | Support Shaft | VS2... A & C | 1 |
| 9a | 1132524 | Sleeve | VS2... A & C | 1 |
| 10 | 8110003 | Washer | | 18 |
| 13 | 1112506 | Pulley Shaft | | 1 |
| 15 | 8150099 | Nylos seal | 1Am/2 & 3m | 2 |
| 16 | 8110307 | Bearing | | 1 |
| 17 | 1112503 | Sleeve | | 2 |
| 18 | 8130092 | Circlip | | 1 |
| 19 | 1112509 | Washer | | 1 |
| 20 | 7333080Q | Bull dog grip - ø 8,5 | DIN741-6.5 | 1 |
| 21 | 830201 | Exterior circlip | C3 | 1 |
| 22 | 1112534 | Rope and support | | 1 |
| 24 | 1132532 | Sleeve | | 1 |
| 25 | 1112520 | Complete pulley - Ø 125 | 1AM 20+21+11VS2 A, C et O | 1 |
| 25 | 1122520 | Pulley with bearing - Ø 125 | 2M/3M - Poulie+Circlip Ø 80+Roulement / Pulley+Circlip Ø 80+Bearing | 1 |

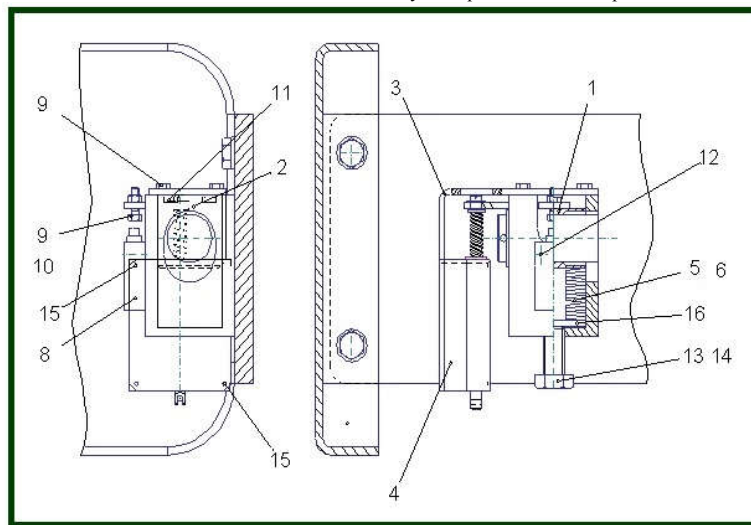
10.2) O Drum (VSX)



| item | reference | description | observation | Quantity |
|------|--------------------------|-------------------------|---------------------------|----------|
| 1 | 1112510 | Support | | 1 |
| 3 | 1112527 | Key housing | | 1 |
| 4 | 1122530 | Key | | 1 |
| 5 | 1112515 | Anchor point shaft | | 1 |
| 6 | 7231202C | Washer | | 3 |
| 7 | 831662 | Pin | | 1 |
| 8 | 1112518 | Support shaft | | 1 |
| 9a | 1112524 | Sleeve | VS F/N/R | 1 |
| 10 | 8110003 | Washer | | 18 |
| 13 | 1112506 | Pulley Shaft | | 1 |
| 15 | 8150099 | Nylos seal | 1Am/2 & 3m | 2 |
| 16 | 8110307 | Bearing | | 1 |
| 17 | 1112503 | Sleeve | | 2 |
| 18 | 8130092 | Circlip | | 1 |
| 19 | 1112016 | Plate | | 1 |
| 20 | 7333080Q | Bull dog grip - ø 8,5 | DIN741-6.5 | 1 |
| 21 | 830201 | Exterior circlip | C3 | 1 |
| 22 | 1112534 | Rope and support | | 1 |
| 24 | 1132532 | Sleeve | | 1 |
| 25 | 1112520 | Complete pulley - Ø 125 | 1AM 20+21+11VS2 A, C et O | 1 |
| 26 | 8110011 | Washer | | 1 |

11) Overload limiter FM,NHT,LHT- Electr.+mechanical with or without hall sensor

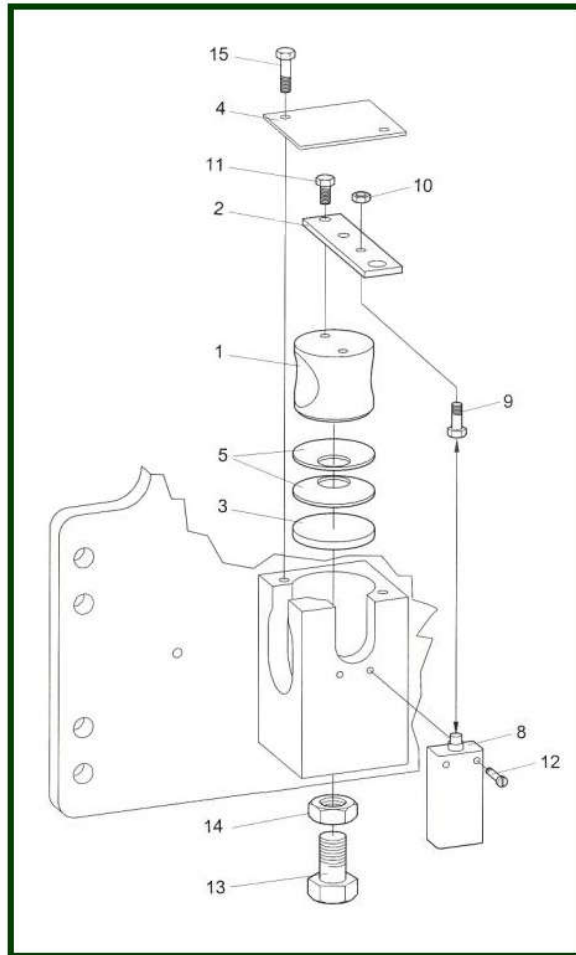
Tambour A et C seulement - A and C drum only - Jusqu'à mars 1999 / Up to march 1999



| item | reference | description | observation | Quantity |
|------|--------------------------|------------------------|---|----------|
| 1 | 1111523 | Sleeve | | 1 |
| 2 | 1111508 | Trigger plate | | 1 |
| 2 | 1111522 | Trigger plate | HPR/LHT | 1 |
| 3 | 1113524 | Sensor support | HPR/LHT | 1 |
| 4 | 1113547 | HALL sensor | HPR/LHT VS306/VS404 2/6 - Jusqu'à mars 99 / To march 99 | 1 |
| 5 | 180053 | Spring washer | Type A | 1 |
| 5 | 180052 | Spring washer | Type B | 1 |
| 6 | 180051 | Spring limiteur | Type C | 1 |
| 6 | 180050 | Spring limiteur | Type D - HPR/LHT | 1 |
| 6 | 180049 | Spring limiteur | Type E - HPR/LHT | 1 |
| 6 | 180048 | Spring limiteur | Type F | 1 |
| 7 | 1115020 | Cover | HPR | 1 |
| 8 | 8111593 | Limit switch | | 1 |
| 9 | 7211356F | Screw | | 5 |
| 10 | 831501 | Screw M6 | Standard | 1 |
| 11 | 8110033 | Screw | | 2 |
| 12 | 830930 | CHC screw M4x20 | | 2 |
| 13 | 830622 | Screw CHC M16x40 | Moteur N5 | 1 |
| 14 | 831574 | PAL nut - M16 | C1 | 1 |
| 15 | 811033 | Screw | | 2 |
| 16 | 1111521 | Rondelle fond limiteur | | 1 |
| 17 | 8110502 | Truac ring | | 1 |

12) Overload protection FM, NHT, LHT

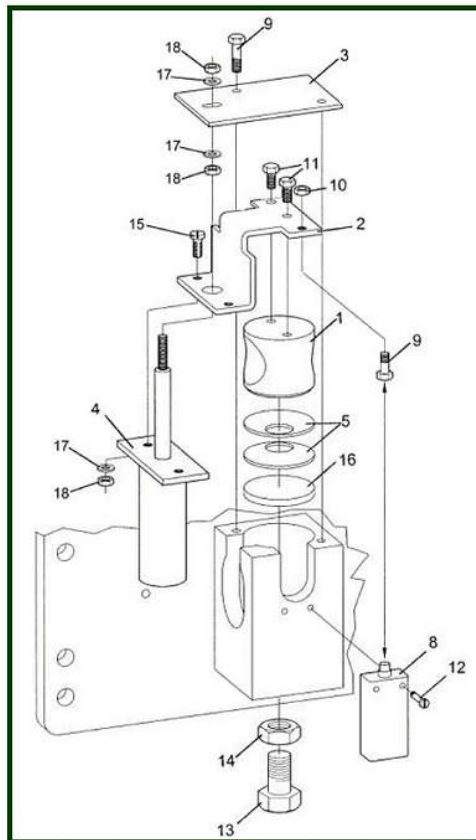
Après / After avril 1999



| item | reference | description | observation | Quantity |
|---------|--------------------------|------------------------|------------------|----------|
| 1 | 1111523 | Sleeve | | 1 |
| 2 | 1111522 | Trigger plate | HPR/LHT | 1 |
| 3 | 1111521 | Rondelle fond limiteur | | 1 |
| 4 | 1115020 | Cover | HPR | 1 |
| 5 | 180051 | Spring limiteur | Type C | 1 |
| 5 | 180050 | Spring limiteur | Type D - HPR/LHT | 1 |
| 5 | 180049 | Spring limiteur | Type E - HPR/LHT | 1 |
| 5 | 180048 | Spring limiteur | Type F | 1 |
| 5 | 180053 | Spring washer | Type A | 1 |
| 5 | 180052 | Spring washer | Type B | 1 |
| 8 | 8111593 | Limit switch | | 1 |
| 9 | 7211356F | Screw | | 1 |
| 10 | 831501 | Screw M6 | Standard | 1 |
| 11 & 15 | 8110033 | Screw | | 4 |
| 12 | 830930 | CHC screw M4x20 | | 1 |
| 13 | 830622 | Screw CHC M16x40 | Moteur N5 | 1 |
| 14 | 831574 | PAL nut - M16 | C1 | 1 |

13) Overload limiter FM,NHT,LHT - Elect. mech + Hall sensor

A partir d'avril 1999 / From april 1999



| item | reference | description | observation | Quantity |
|------|---------------------------|------------------------|------------------|----------|
| 1 | 1111523 | Sleeve | | 1 |
| 2 | 1111508 | Trigger plate | | 1 |
| 3 | 1111503 | Sensor support | | 1 |
| 4 | LP20UFR10 | HALL sensor kit | | 1 |
| 5 | 180051 | Spring limiteur | Type C | 1 |
| 5 | 180050 | Spring limiteur | Type D - HPR/LHT | 1 |
| 5 | 180049 | Spring limiteur | Type E - HPR/LHT | 1 |
| 5 | 180048 | Spring limiteur | Type F | 1 |
| 5 | 180053 | Spring washer | Type A | 1 |
| 5 | 180052 | Spring washer | Type B | 1 |
| 8 | 8111593 | Limit switch | | 1 |
| 9 | 7211356F | Screw | | 5 |
| 10 | 831501 | Screw M6 | Standard | 1 |
| 11 | 8110033 | Screw | | 2 |
| 12 | 830930 | CHC screw M4x20 | | 1 |
| 13 | 830622 | Screw CHC M16x40 | Moteur N5 | 1 |
| 14 | 831574 | PAL nut - M16 | C1 | 1 |
| 15 | 8110030 | Screw CHC 4x16 | | 2 |
| 16 | 1111521 | Rondelle fond limiteur | | 1 |
| 17 | 7231044F | Washer M4 | | 4 |
| 18 | 7221040C | Nut M4 | | 1 |

14) Overload limiter FM, NHT, LHT - Hall sensor

A partir d'avril 1999 / From april 1999

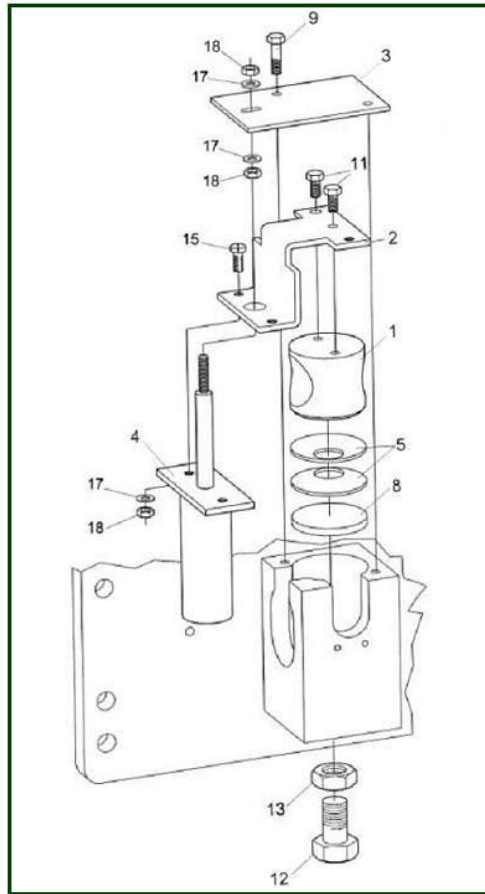


TABLEAU DES RESSORTS VS 2 / SPRING TABLE VS 2

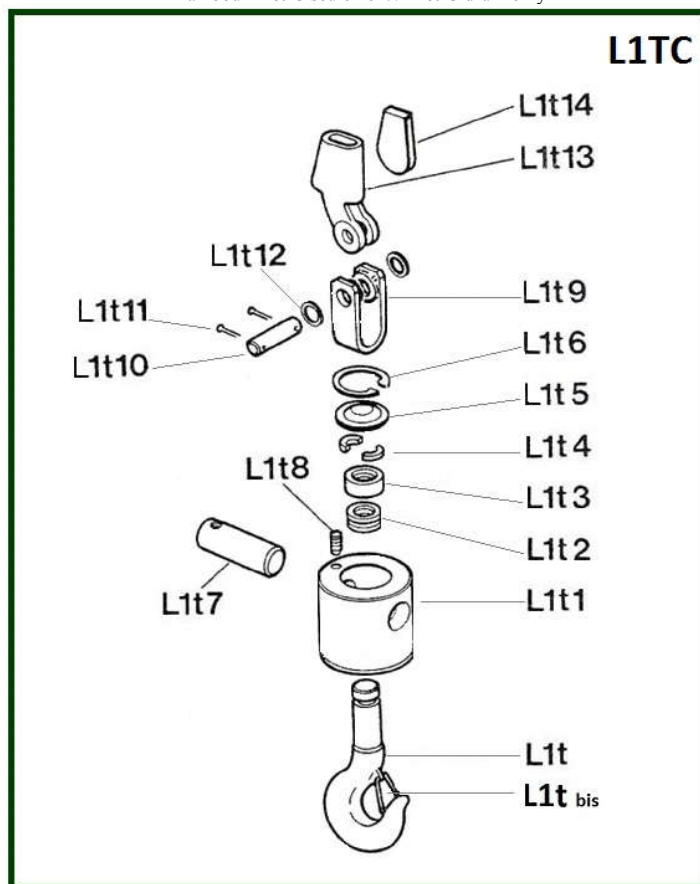
| TYPE DE PALAN HOIST TYPE | Type de tambour DRUM TYPE | CHARGE KG LOAD KG | TYPE DE RESSORT TYPE OF SPRING | DISPOSITION POSITION | NB. PC. |
|----------------------------------|------------------------------|----------------------|-----------------------------------|-------------------------|------------|
| VS2 Fixe et HPN / VS2 FM and NHT | | | | | |
| VS 202 | A et C | 1250 (3m) | D | 1x1 opposées | 10 |
| | | 1600 (2m) | C | | |
| | | 2000 (1Am) | C | | |
| VS 204 | | 2500 (3m) | B | | 9 |
| | | 3200 (2m) | A | | |
| | | 4000 (1Am) | C | | |
| VS2 HPR / VS2 LHT | | | | | |
| VS 202 | A et C | 1250 (3m) | C | 1x1 opposées | 10 |
| | | 1600 (2m) | C | | |
| | | 2000 (1Am) | B | | |
| VS 204 | | 2500 (3m) | B | | 9 |
| | | A, C et O (VSX) | A | | |
| | | A et C | C | | |

| item | reference | description | observation | Quantity |
|------|-------------------------|----------------|---|----------|
| 1 | 1111523 | Sleeve | | 1 |
| 1 | 1112523 | Sleeve | HPR / LHT | 1 |
| 2 | 1111508 | Trigger plate | | 1 |
| 2 | 1111522 | Trigger plate | HPR/LHT | 1 |
| 3 | 1111503 | Sensor support | | 1 |
| 3 | 1113524 | Sensor support | HPR/LHT | 1 |
| 4 | 1111510 | Hall sensor | | 1 |
| 4 | 1113547 | HALL sensor | HPR/LHT VS306/VS404 2/6 - Jusqu'à mars 99 / To march 99 | 1 |

| | | | | |
|----|-----------------|------------------------|------------------|---|
| 5 | <u>180051</u> | Spring limiteur | Type C | 1 |
| 5 | <u>180050</u> | Spring limiteur | Type D - HPR/LHT | 1 |
| 5 | <u>180049</u> | Spring limiteur | Type E - HPR/LHT | 1 |
| 5 | <u>180048</u> | Spring limiteur | Type F | 1 |
| 5 | <u>180053</u> | Spring washer | Type A | 1 |
| 5 | <u>180052</u> | Spring washer | Type B | 1 |
| 8 | <u>1111521</u> | Rondelle fond limiteur | | 1 |
| 11 | <u>8110033</u> | Screw | | 1 |
| 12 | <u>830622</u> | Screw CHC M16x40 | Moteur N5 | 1 |
| 13 | <u>831574</u> | PAL nut - M16 | C1 | 1 |
| 15 | <u>8110030</u> | Screw CHC 4x16 | | 2 |
| 17 | <u>7231044F</u> | Washer M4 | | 1 |
| 18 | <u>7221040C</u> | Nut M4 | | 1 |

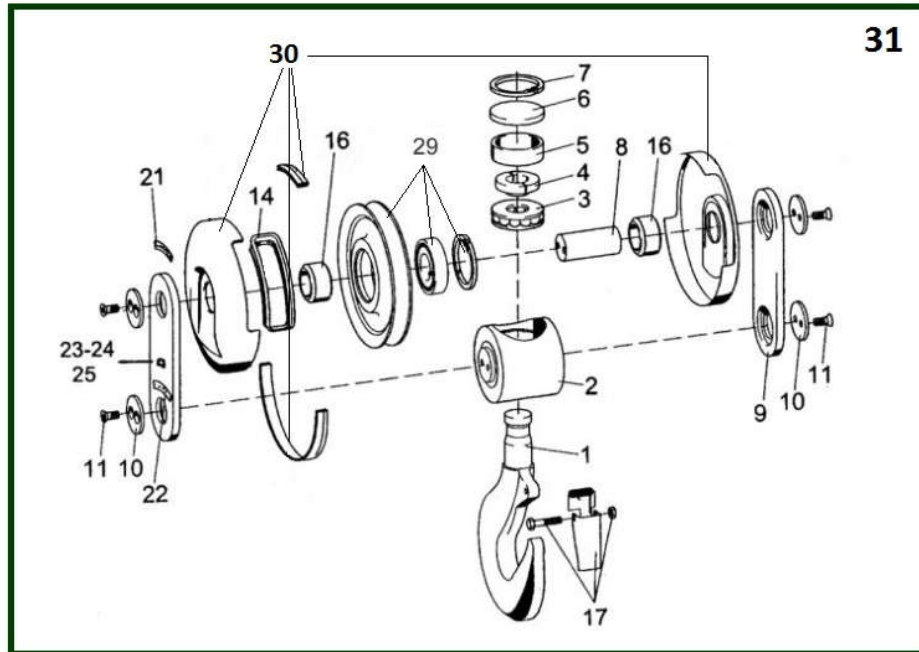
15) Lifting hook - 1 roped - 1Am

Tambour A & C seulement / A & C drum only



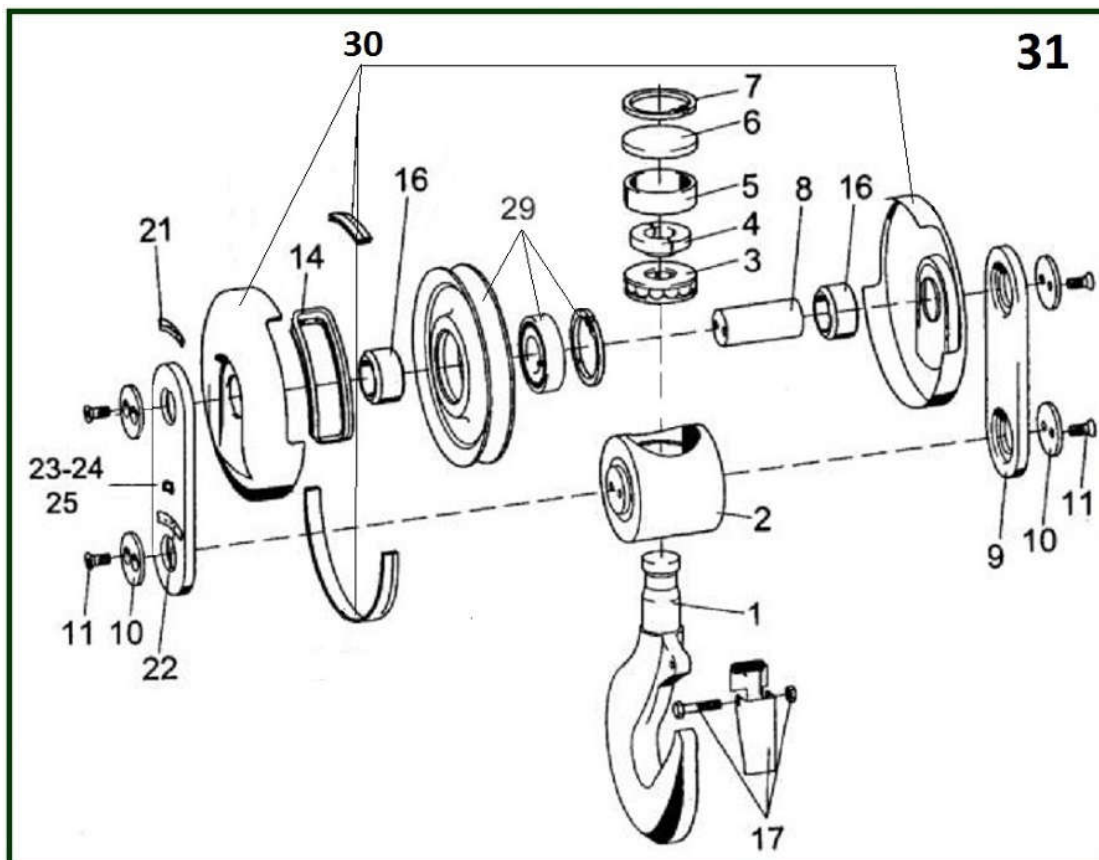
| item | reference | description | observation | Quantity |
|-------|--------------------------|-------------------------|---------------------------|----------|
| - | SR32F | Safety catch (wire) | Câble / Rope Ø 11 & 12 mm | 1 |
| L1T1 | 5233301W | Washer | Câble / Rope Ø 11 & 12 mm | 1 |
| L1T2 | 7431062S | Thrust bearing | | 1 |
| L1T3 | 5233612J | Cylindrical dish | Câble / Rope Ø 11 & 12 mm | 1 |
| L1T4 | 5233613K | Half segment ring | Câble / Rope Ø 11 & 12 mm | 1 |
| L1T5 | 5233615N | Cap | Câble / Rope Ø 11 & 12 mm | 1 |
| L1T6 | 7261080D | Internal circlip - Ø 80 | | 1 |
| L1T7 | 5233302X | Axle | Câble / Rope Ø 11 & 12 mm | 1 |
| L1T8 | 7217434N | Pointed screw | Câble / Rope Ø 11 & 12 mm | 1 |
| L1T9 | 5233311G | Stirrup | Câble / Rope Ø 11 & 12 mm | 1 |
| L1T10 | 5233312H | Rope anchor pin | | 1 |
| L1T11 | 7271404A | Split pin | | 2 |
| L1T12 | 7231122R | Washer MU12 | | 2 |
| L1T13 | 5231410R | Rope anchorage | | 1 |
| L1T14 | 8536224E | Key cable | Ø 8.5 mm | 1 |
| L1T | 5233610G | Hook with safety catch | | 1 |
| L1TC | 3233310T | Complete hook block | Ø 6.5 mm | 1 |

16) Lifting hook - 2 falls - 1Am



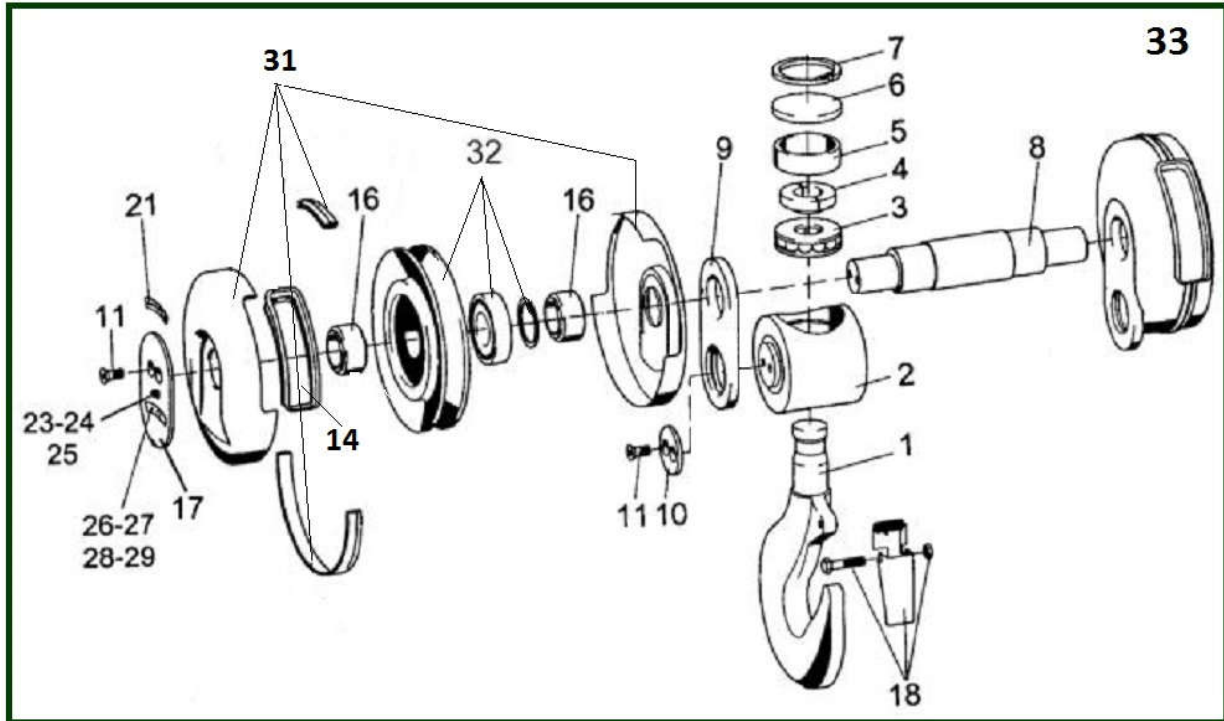
| item | reference | description | observation | Quantity |
|------|--------------------------|-----------------------------|---------------------------|----------|
| 1 | 1112001 | Hook | | 1 |
| 2 | 1112004 | Beam | | 1 |
| 3 | 7431062S | Thrust bearing | | 1 |
| 4 | 1112019 | Locking parts | | 1 |
| 5 | 1112018 | Safety ring | | 1 |
| 6 | 1112005 | Beam cover | | 1 |
| 7 | 7261060G | Circlip | | 1 |
| 8 | 1112012 | Pulley shaft | | 1 |
| 9 | 1112035 | Flat bar | | 2 |
| 10 | 1112016 | Plate | | 4 |
| 11 | 7216403S | Screw | | 8 |
| 14 | 1112009 | Rope shield | | 2 |
| 16 | 1112031 | Bushing | | 1 |
| 17 | 23233003 | Safety latch N°1 | RSN08 | 1 |
| 17 | 52315930 | Safety latch plate type | Après / After 06/99 | 1 |
| 21 | 1112040 | Stickers | « VERLINDE » | 2 |
| 22 | 1112051 | Stickers | « FEM 1Am » | 1 |
| 23 | 1122061 | Stickers | « 1.25 t » | 1 |
| 24 | 1122062 | Stickers | « 1.6 t » | 1 |
| 25 | 1122063 | Stickers | « 2 t » | 1 |
| 29 | 1112520 | Complete pulley - Ø 125 | 1AM 20+21+11VS2 A, C et O | 1 |
| 30 | 1112086 | Cover set + sealing profile | | 1 |
| 31 | 1122000 | Complete hook block | | 1 |

17) Lifting hook - 2 falls - 2/3m



| item | reference | description | observation | Quantity |
|------|--------------------------|-------------------------|---|----------|
| 1 | 1112001 | Hook | | 1 |
| 2 | 1112004 | Beam | | 1 |
| 3 | 7431062S | Thrust bearing | | 1 |
| 4 | 1112019 | Locking parts | | 1 |
| 5 | 1112018 | Safety ring | | 1 |
| 6 | 1112005 | Beam cover | | 1 |
| 7 | 7261060G | Circlip | | 1 |
| 8 | 1112012 | Pulley shaft | | 1 |
| 9 | 1132035 | Flat bar | | 2 |
| 10 | 1112016 | Plate | | 4 |
| 11 | 7216403S | Screw | | 8 |
| 14 | 1132009 | Rope shield | | 2 |
| 16 | 1122031 | Bushing | | 2 |
| 17 | 23233003 | Safety latch N°1 | RSN08 | 1 |
| 17 | 52315930 | Safety latch plate type | Après / After 06/99 | 1 |
| 21 | 1112040 | Stickers | « VERLINDE » | 2 |
| 22 | 1112052 | Stickers | « FEM 2m » | 2 |
| 23 | 1112053 | Stickers | « FEM 3m » | 2 |
| 24 | 1122061 | Stickers | « 1.25 t » | 2 |
| 25 | 1122062 | Stickers | « 1.6 t » | 2 |
| 26 | 1122063 | Stickers | « 2 t » | 2 |
| 29 | 1122620 | Pulley with bearing | 2M/3M - Roulement+Circlips intérieur Ø 80 / Bearing+Circlips Ø 80 | 1 |
| 30 | 1132086 | Hook cover kit | Demi-coquilles+Joints profilés / Cover+ Sealing profile | 1 |
| 31 | 1122100 | Complete hook block | | 1 |

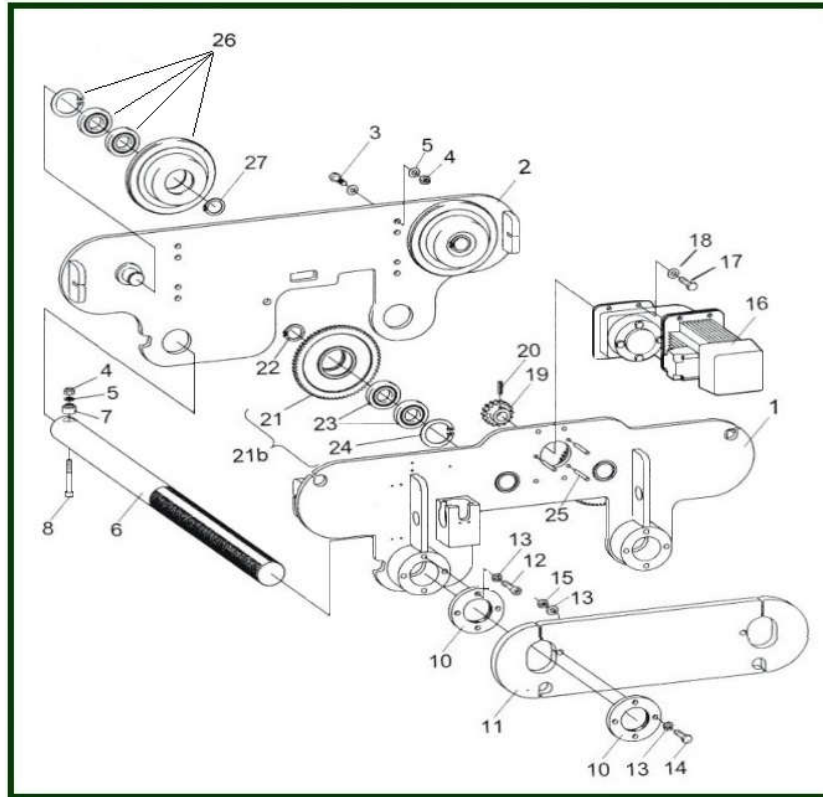
18) Lifting hook - 4 falls - 1Am/2m/3m



| item | reference | description | observation | Quantity |
|------|--------------------------|-------------------------------|---|----------|
| 1 | 1132001 | Complete hook block n°2.5 | | 1 |
| 2 | 1122004 | Beam | | 1 |
| 3 | 8130071 | Thrust bearing | | 1 |
| 4 | 1132019 | Locking parts | | 1 |
| 5 | 1132018 | Safety ring | | 1 |
| 6 | 1132005 | Beam cover | | 1 |
| 7 | 7261060G | Circlip | | 1 |
| 8 | 1132013 | Shaft | | 1 |
| 9 | 1132036 | Flat bar | | 2 |
| 10 | 1112016 | Plate | | 4 |
| 11 | 7216403S | Screw | | 8 |
| 14 | 1132009 | Rope shield | | 2 |
| 16 | 1122031 | Bushing | | 2 |
| 17 | 1132017 | Plate | | 1 |
| 18 | 33233003 | Safety catch N°2.5 | | 1 |
| 18 | 52315931 | Safety catch plate type N°2.5 | Après / After 06/99 | 1 |
| 21 | 1112040 | Stickers | « VERLINDE » | 2 |
| 23 | 1112051 | Stickers | « FEM 1Am » | 2 |
| 24 | 1112052 | Stickers | « FEM 2m » | 2 |
| 25 | 1112053 | Stickers | « FEM 3m » | 2 |
| 26 | 1122063 | Stickers | « 2 t » | 2 |
| 27 | 1122064 | Stickers | « 2.5 t » | 2 |
| 28 | 1122065 | Stickers | « 3.2 t » | 2 |
| 29 | 1122066 | Stickers | « 4 t » | 2 |
| 31 | 1132086 | Hook cover kit | Demi-coquilles+Joints profilés / Cover+ Sealing profile | 1 |
| 32 | 1122620 | Pulley with bearing | 2M/3M - Roulement+Circlips intérieur Ø 80 / Bearing+Circlips Ø 80 | 1 |
| 33 | 1122002 | Complete hook block | | 1 |

19) LHT Trolley

Hauteur Perdue Réduite-Tambour A,C & O (VSX) / Low Headroom Trolley - Drum A,C & O (VSX) - * A la commande / On order

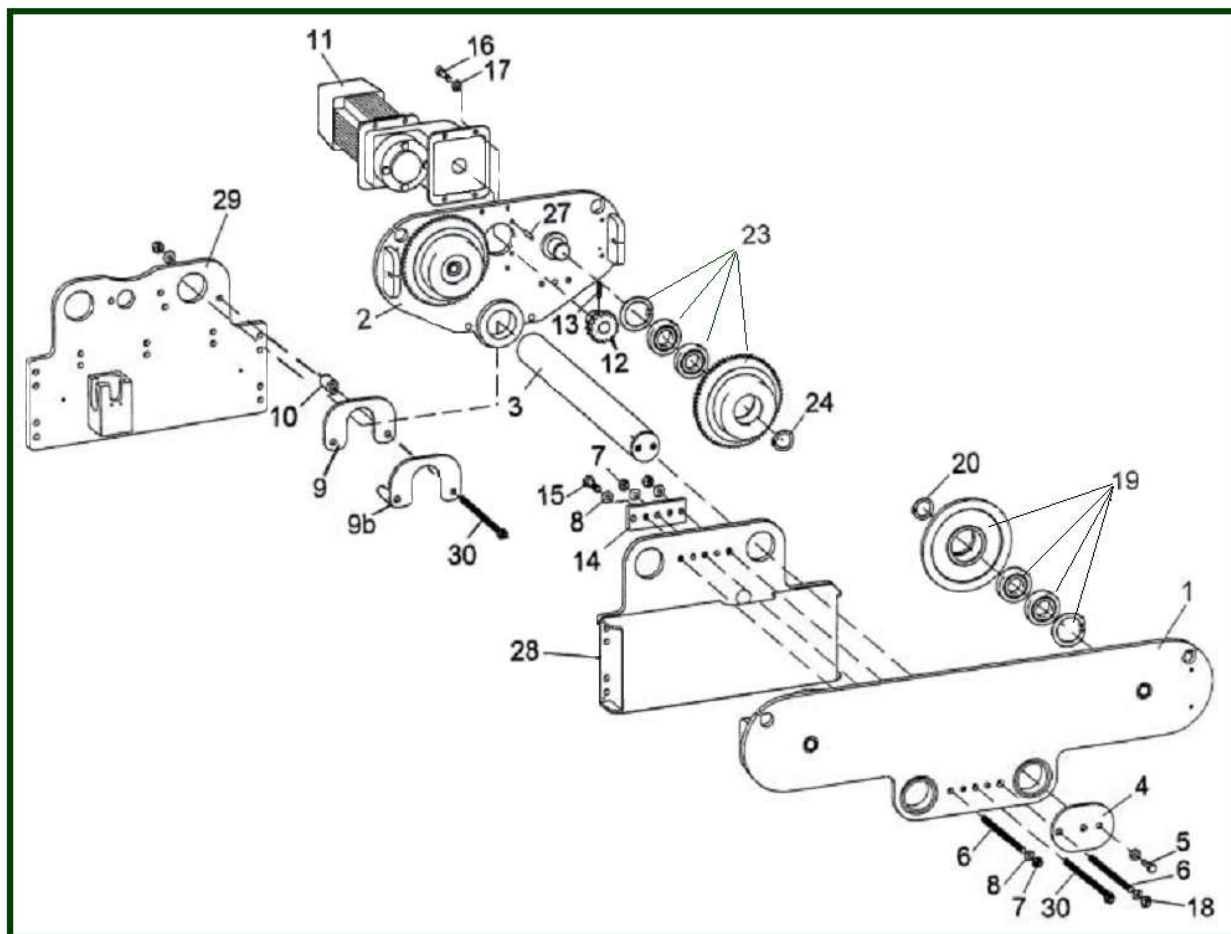


| item | reference | description | observation | Quantity |
|------|------------------------------|---------------------------------------|--|----------|
| 1 | VXLAB10A | Side plate for LHT hoist - Motor side | * XS2-VS2...R..O (VSX) | 1 |
| 1 | 1133514 | Side plate for LHT hoist - Motor side | * XS2-VS2/VS3...R..A | 1 |
| 1 | 1133614 | Side plate for LHT hoist - Motor side | * XS2-VS2/VS3...R..C | 1 |
| 2 | VXLA010A | Side plate for LHT hoist - Idle side | * XS2-VS2...R..O (VSX) | 1 |
| 2 | 1133611 | Side plate for LHT hoist - Idle side | XS2 - VS202...R..C - VS204...R..C | 1 |
| 2 | 1133511 | Side plate - LHT | XS2 - VS202...R..A - XS3 - VS302...R..A - VS304...R..A | 1 |
| 3 | 8110042 | Fixing screw set | | 4 |
| 4 | 8113533 | Durlock Nut | | 12 |
| 5 | 7231202C | Washer | | 8 |
| 6 | 1133541 | Threaded bar | | 2 |
| 6 | VXLA001A | Threaded bar | * VS2...R..O (VSX) | 1 |
| 7 | 1133542 | Bushing | | 4 |
| 7 | 1113542 | Bushing | * XS2-VS2...R..O (VSX) | 2 |
| 8 | 830941 | CHC screws 10 x 60 | * XS2-VS2... A et C (qty 4) - VS2...R..O (VSX) (qty 2) | 2 |
| 10 | 1133543 | Tie rod nut | | 4 |
| 11 | VXLA003A | Counterweight | * VS2...R..O (VSX) | 2 |
| 11 | 1133548 | Counterweight | * XS2-VS2/VS3...R..A | 2 |
| 11 | 1133648 | Counterweight | * XS2-VS2/VS3...R..C | 2 |
| 12 | 830211 | HM screw | PRC2/3 | 4 |
| 13 | 7232080G | GROWER washer - Ø 8 | | 6 |
| 14 | 7211462W | Screws | | 2 |
| 15 | 831504 | Brake washer AZ M8 | VS4...B...D - VS5...D/E | 2 |
| 16 | Voir Chap 21 | Travelling motorgear | GS2...RPC+MF07 | 1 |
| 17 | 8011045 | Screws | | 4 |
| 18 | 7232100D | GROWER washer M10 | DIN12 Standard - Frein automatique/Automatic brake | 4 |

| | | | | |
|-----|-----------------|---------------------------|--|---|
| 19 | <u>1113532</u> | Drive wheel - 19 th | | 1 |
| 20 | <u>7273458H</u> | Pin | | 1 |
| 21b | <u>1113508</u> | Driving wheel set - Ø 100 | VB10D:100mm - VB10D - VS2..R..O (VSX) 2 roulements+1 circlip+1 galet moteur 2 Bearings+1 circlip+1 geared wheel | 2 |
| 21b | <u>1133508</u> | Geared travel wheel | Chariot 1 GMR (2) - Chariot 2 GMR (4) - VB13 - Ø 125mm | 1 |
| 23 | <u>8110081</u> | Bearing | | 4 |
| 24 | <u>7261072V</u> | Circlip | | 2 |
| 25 | <u>8110059</u> | Dowell | | 3 |
| 26b | <u>1113507</u> | Idle wheel set - Ø 100 | VB10D:100mm - VB10D - VS2..R..O (VSX) 2 roulements+1 circlip+1 galet porteur 2 Bearings+1 circlip+1 geared wheel | 2 |
| 26b | <u>1133507</u> | Ungeared wheel | Chariot 1 GMR (2) - Chariot 2 GMR (4) - VB13 - Ø 125mm | 1 |
| 27 | <u>400078</u> | Exterior circlip Ø 35 | C2 | 2 |
| - | <u>15038001</u> | Buffer | Tous types /All types | 1 |
| - | <u>1123517</u> | Buffer assy | | 1 |
| - | <u>1133566</u> | Limit switch set (travel) | | 1 |
| - | <u>7541312D</u> | Travel limit switch | C1-C2-C3 | 1 |

20) NHT Trolley

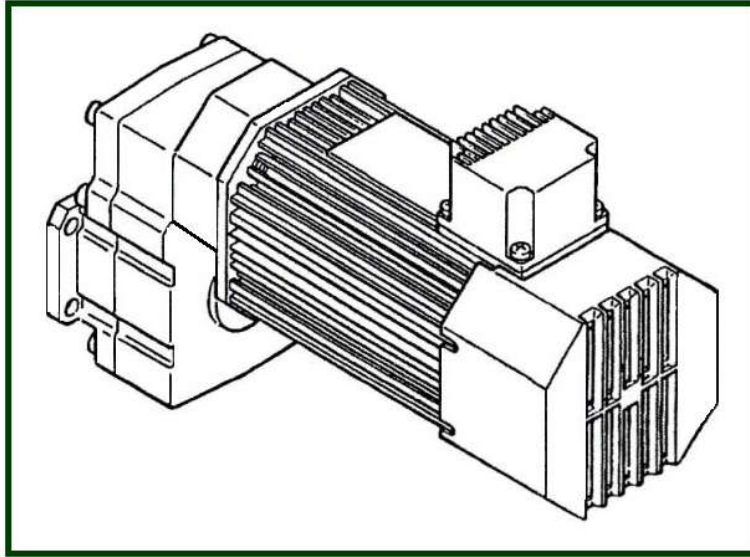
Hauter Perdue Normale - Tambour A & C seulement / Normal Headroom Trolley - A & C drum only



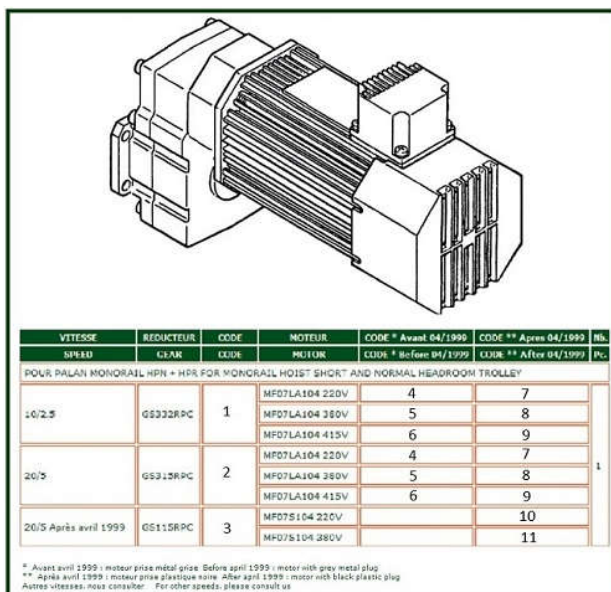
| item | reference | description | observation | Quantity |
|------|-------------------------------|--------------------------------|--|----------|
| 1 | 1134521 | Opposite motor side plate only | VS2/VS3..N..A | 1 |
| 1 | 1134531 | Side plate | | 1 |
| 3 | 1134541 | Tie rod | | 2 |
| 4 | 1134544 | Locking plate | | 1 |
| 5 | 830917 | Screw CHC 8 x 25 | Moteur N3 - Vis à coller / Screw paste | 4 |
| 6 | 1114503 | Threaded bar | | 2 |
| 9 | 1134545 | Locking plate | | 2 |
| 9b | 1134547 | Locking plate+bushing | | 1 |
| 10 | 1134511 | Bushing | | 2 |
| 11 | Voir chap. 21 | Travelling motorgear | GS2 RPC+MF07 | 1 |
| 12 | 1113532 | Drive wheel - 19 th | | 1 |
| 13 | 7273458H | Pin | | 1 |
| 14 | 1134502 | Clamping date | | 1 |
| 15 | 830407 | Screw | | 2 |
| 16 | 8011550 | Screw | | 4 |
| 17 | 7232100D | GROWER washer M10 | DIN12 Standard - Frein automatique/Automatic brake | 8 |
| 18 | 831594 | NYLSTOP nut - M12 - DIN985 | PRC1 | 5 |
| 19 | 1133507 | Ungeared wheel | Chariot 1 GMR (2) - Chariot 2 GMR (4) - VB13 - Ø 125mm | 1 |
| 23 | 1133508 | Geared travel wheel | Chariot 1 GMR (2) - Chariot 2 GMR (4) - VB13 - Ø 125mm | 1 |
| 24 | 400078 | Exterior circlip Ø 35 | C2 | 2 |
| 27 | 8110059 | Dowell | | 3 |

| | | | | |
|----|-----------------|----------------------------|-------------------------------------|---|
| 28 | <u>1134614</u> | Side plate NHT | XS2-VS202...N..C - VS204...N..C | 1 |
| 28 | <u>1134514</u> | Side plate - NHT | VS2 N A - VS302...N..A VS304...N..A | 1 |
| 29 | <u>1134515</u> | Side plate - NHT | XS2 - VS2...N..A - XS3 - VS3...N..A | 1 |
| 29 | <u>1134615</u> | Welded side plate | XS2-VS2...N...C | 1 |
| 30 | <u>1114504</u> | Threaded bar | | 3 |
| - | <u>1114525</u> | Limit switch assy (travel) | | 1 |
| - | <u>7541312D</u> | Travel limit switch | C1-C2-C3 | 1 |

21) Motorgear

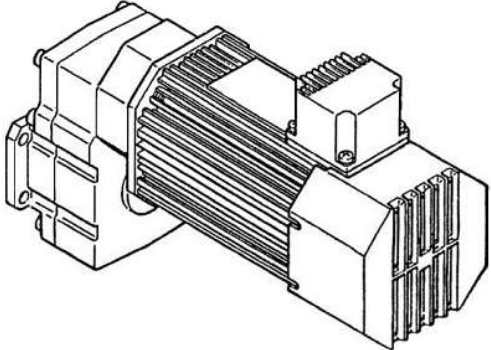


21.1) Monorail hoist LHT + NHT



| item | reference | description | observation | Quantity |
|------|---------------------------|---|--|----------|
| 1 | 1117507 | Gearbox GS332RPC | Vitesse / Speed 10/2,5 | 1 |
| 2 | 1117504 | Gearbox GS315RPC | Vitesse / Speed 20/5 | 1 |
| 3 | 1117510 | Gearbox GS115RPC | Vitesse / Speed 20/5 Après avril 1999 / After april 1999 | 1 |
| 4 | 25808102 | Travelling motor MF07LA104 3000/750 - 220V/50Hz - 0,25/0,06KW | Prise Wieland avant avril 1999 Wieland plug before april 1999 GS315RPC : VS304<5T & VS306 | 1 |
| 5 | 25808103 | Travelling motor MF07LA104 3000/750 - 380V/50Hz - 0,25/0,06KW | Prise Wieland avant avril 1999 Wieland plug before april 1999 GS315RPC : VS304<5T & VS306 | 1 |
| 6 | 25808104 | Travelling motor MF07LA14 3000/750 - 415V/50Hz - W415V - 0,25/0,06KW | Prise Wieland avant avril 1999 Wieland plug before april 1999 GS315RPC : VS304<5T & VS306 | 1 |
| 7 | 25808102P | Travelling motor MF07LA104 3000/750 - 220V/50Hz - 0,25/0,06KW | Prise plastique après avril 1999 Plastic plug after april 1999 GS315RPC : VS304<5T & VS306 | 1 |
| 8 | 25808103P | Travelling motor MF07LA104 3000/750 - 380V/50Hz - 0,25/0,06KW | Prise plastique après avril 1999 Plastic plug after april 1999 GS315RPC : VS304<5T & VS306 | 1 |
| 9 | 25808104P | Travelling motor MF07LA14 3000/750 - 415V/50Hz - W415V - 0,25/0,06KW | Prise plastique après avril 1999 Plastic plug after april 1999 | 1 |
| 10 | 25808112 | Travelling motor MF07S104 3000-750t/mn - 0.20/0.05kw - 230V/50Hz | Prise plastique après avril 1999 Plastic plug after april 1999 VS302 | 1 |
| 11 | 25808113 | Travelling motor MF07S104 3000-750t/mn - 0.20/0.05kw - 400v/50Hz | Prise plastique après avril 1999 Plastic plug after april 1999 VS302 | 1 |
| 12 | 1113532 | Drive wheel - 19 th | | 1 |
| 13 | 7273458H | Pin | | 1 |

21.2) Double girder



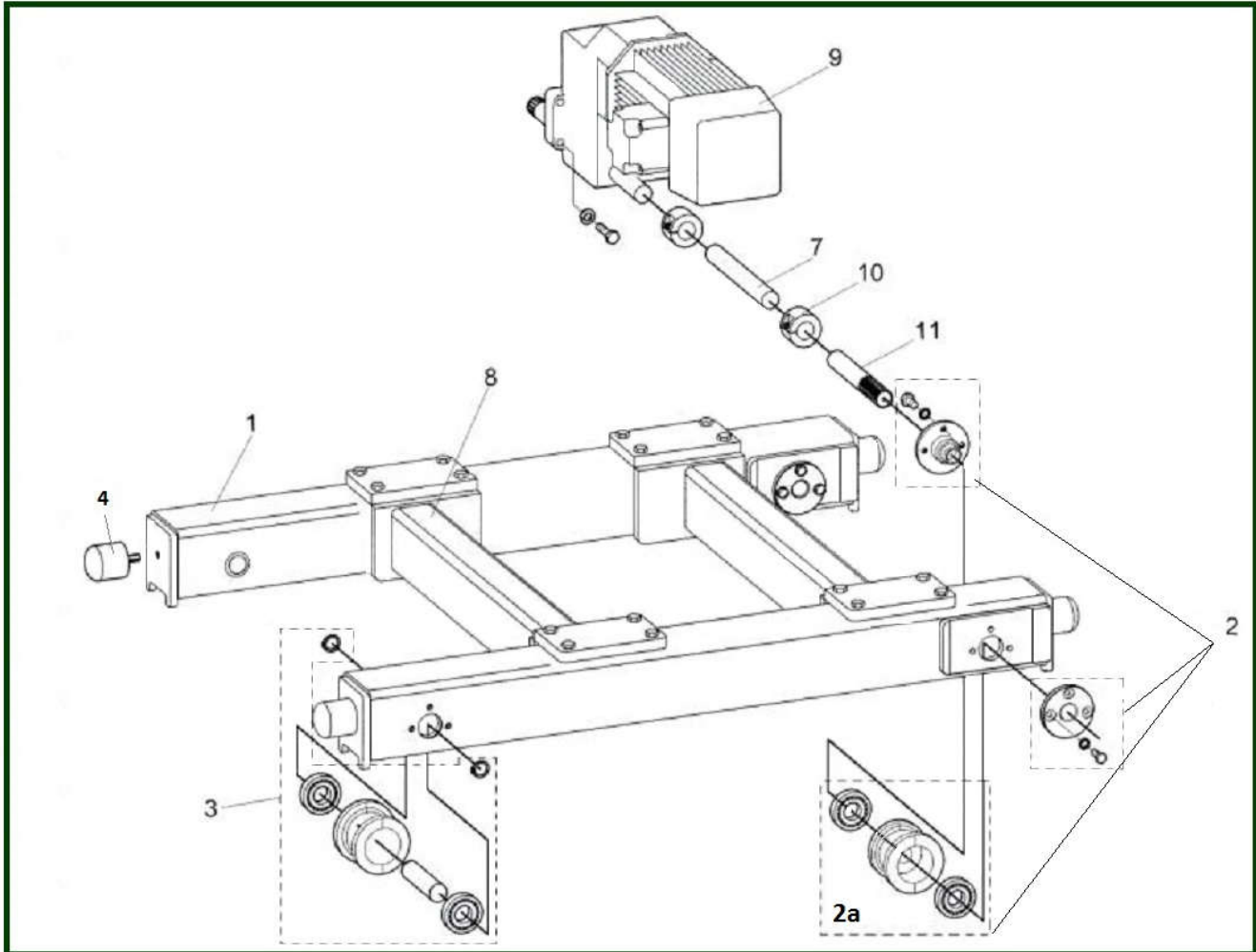
| VITESSE | REDUCTEUR | CODE | MOTEUR | CODE * Avant 04/1999 | CODE ** Apres 04/1999 | Rb. |
|--|-----------|------|----------------|-----------------------|-----------------------|-----|
| SPEED | GEAR | CODE | MOTOR | CODE * Before 04/1999 | CODE ** After 04/1999 | Pc. |
| POUR PALAN BIRAIL HPN + HPR FOR BIRAIL HOIST SHORT AND NORMAL HEADROOM TROLLEY | | | | | | |
| 10/3 | GS240RPD | 1 | MF07LA206 220V | 2 | 8 | 1 |
| | | | MF07LA206 380V | 3 | 9 | |
| | | | MF07LA206 415V | 4 | 10 | |
| 20/5 | | | MF07LA104 220V | 5 | 8 | |
| | | | MF07LA104 380V | 6 | 9 | |
| | | | MF07LA104 415V | 4 | 10 | |

* Avant avril 1999 : moteur prise métal grise Before april 1999 : motor with grey metal plug
 ** Après avril 1999 : moteur prise plastique noire After april 1999 : motor with black plastic plug
 Autres vitesses, nous consulter For other speeds, please consult us

| item | reference | description | observation | Quantity |
|------|------------------|---|--|----------|
| 1 | <u>1147202</u> | Gear GS 240 RPD | | 0 |
| 2 | <u>25518102</u> | Travelling motor MF07LA206 1500/500 - 220V/50Hz - 0.27/0.07Kw | Prise Wieland avant avril 1999 / Wieland plug before april 1999 | 1 |
| 3 | <u>25518103</u> | Travelling motor MF07LA206 1500/500 - 380 400V/50Hz - 0.27/0.07Kw | Prise Wieland avant avril 1999 / Wieland plug before april 1999 | 1 |
| 4 | <u>25518104</u> | Travelling motor MF07LA206 1500/500 - 415V/50Hz - 0.27/0.07Kw | Prise Wieland avant avril 1999 / Wieland plug before april 1999 | 1 |
| 5 | <u>25808102</u> | Travelling motor MF07LA104 3000/750 - 220V/50Hz - 0,25/0,06KW | Prise Wieland avant avril 1999 Wieland plug before april 1999 GS315RPC : VS304<5T & VS306 | 1 |
| 6 | <u>25808103</u> | Travelling motor MF07LA104 3000/750 - 380V/50Hz - 0,25/0,06KW | Prise Wieland avant avril 1999 Wieland plug before april 1999 GS315RPC : VS304<5T & VS306 | 1 |
| 7 | <u>25808104</u> | Travelling motor MF07LA14 3000/750 - 415V/50Hz - W415V - 0,25/0,06KW | Prise Wieland avant avril 1999 Wieland plug before april 1999 GS315RPC : VS304<5T & VS306 | 1 |
| 8 | <u>25518102P</u> | Travelling motor MF07LA206 1500/500 - 220V/50Hz - 0.27/0.07Kw | Prise plastique après avril 1999 / Plastic plug after april 1999 | 1 |
| 9 | <u>25518103P</u> | Travelling motor MF07LA206 1500/500 - 380 400V/50Hz - 0.27/0.07Kw | Prise plastique après avril 1999 / Plastic plug after april 1999 | 1 |
| 10 | <u>25518104P</u> | Travelling motor MF07LA206 1500/500 - 415V/50Hz - 0.27/0.07Kw | Prise plastique après avril 1999 / Plastic plug after april 1999 | 1 |
| 11 | <u>25808102P</u> | Travelling motor MF07LA104 3000/750-220V/50Hz-0,25/0,06KW | Prise plastique après avril 1999 Plastic plug after april 1999 GS315RPC : VS304<5T & VS306 | 1 |
| 12 | <u>25808103P</u> | Travelling motor MF07LA104 3000/750 - 380V/50Hz - 0,25/0,06KW | Prise plastique après avril 1999 Plastic plug after april 1999 GS315RPC : VS304<5T & VS306 | 1 |
| 13 | <u>25808104P</u> | Travelling motor MF07LA14 3000/750 - 415V/50Hz - W415V - 0,25/0,06KW | Prise plastique après avril 1999 Plastic plug after april 1999 | 1 |

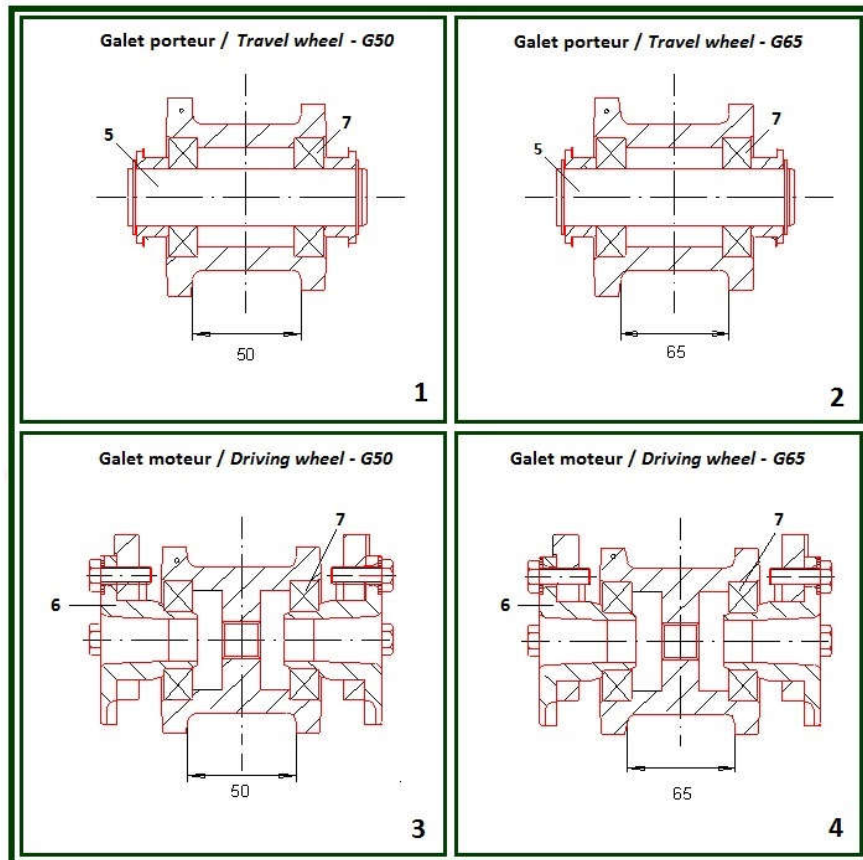
22) Double girder trolley

Tambour A et C seulement - A and C drum only

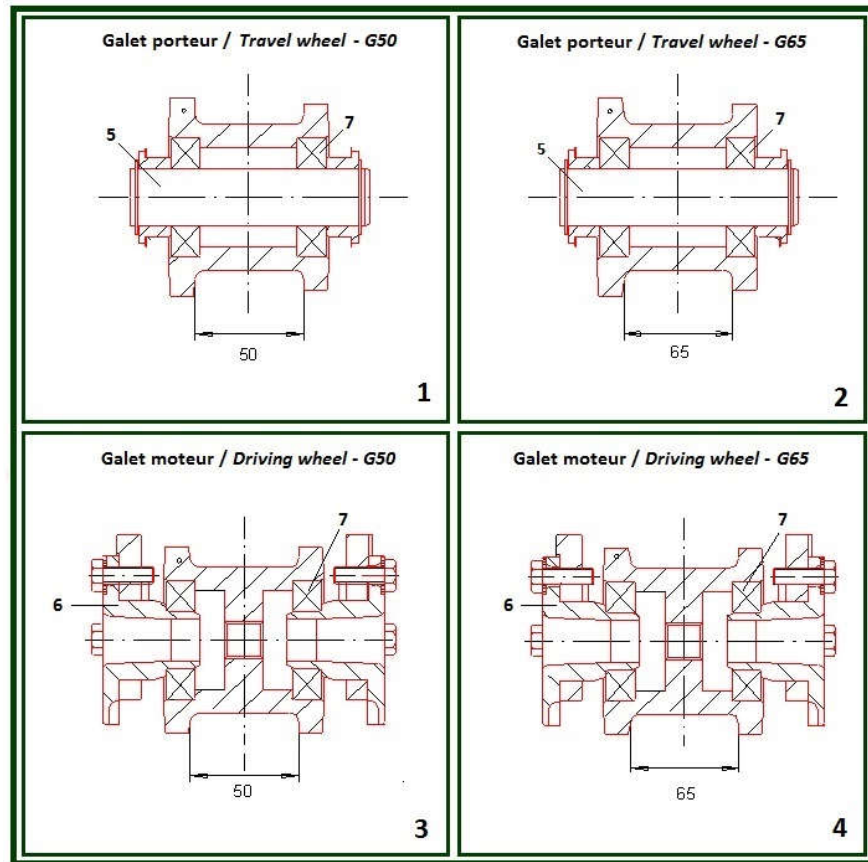


| item | reference | description | observation | Quantity |
|------|--------------------------|---------------------------------|--|----------|
| 1 | NC SVP09 | End carriage | VS202...F | 2 |
| 1 | NC SVP11 | End carriage | VS402 | 2 |
| 2 | 15503001 | Driving wheel set - ø 90 - G50 | VS302..F - VS402 A partir / Since 1999 | 2 |
| 2 | 15503005 | Driving wheel set - ø 90 - G65 | VS302..F - VS402 A partir / Since 1999 | 2 |
| 2a | 15803001 | Driving wheel set - ø 110 - G50 | VP11 - VS304..F - VS402 | 2 |
| 2a | 15803005 | Driving wheel set - ø 110 - G65 | VP11 - VS304..F - VS402 | 2 |
| 3 | 15503006 | Travel wheel set ø 90 - G65 | VS202/VP9 - VS302..F - VS402 A partir / Since 1999 | 2 |
| 3 | 15503003 | Travel wheel set - ø 90 - G50 | VS202/VP9 - VS302..F - VS402 A partir / Since 1999 | 2 |
| 3a | 15803003 | Travel wheel set - ø 110 - G50 | VS402 / VP11 - VS204 | 2 |
| 3a | 15803006 | Travel wheel set - ø 110 - G65 | VS402 / VP11 - VS204 | 2 |
| 4 | 15503007 | Buffer set | | 4 |
| 7 | NC ARB | Spline shaft | | 1 |
| 8 | NC TRA | Beam set | | 2 |
| 9 | NC MREDD | Travelling motorgear | GS2... RPD+MF07 | 1 |
| 10 | 1137231 | Coupling | VS402 < 25mn | 2 |
| 11 | 1137230 | Splined shaft | VS402 < 25mn | 1 |

23) Wheel set VP09 and VP11

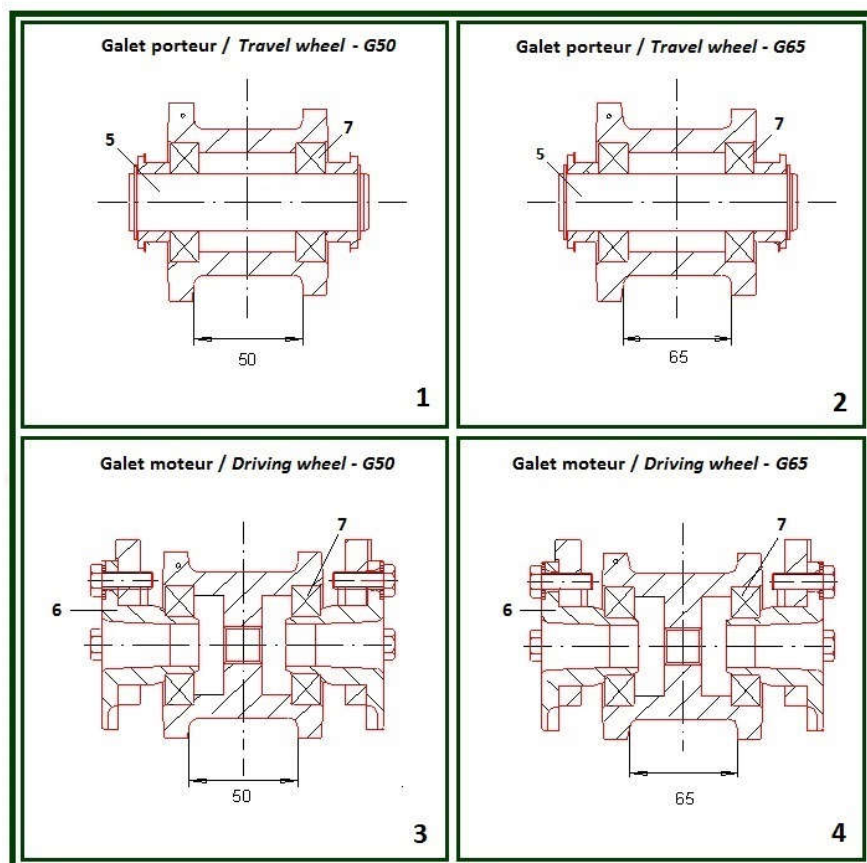


23.1) Wheel set VP09



| item | reference | description | observation | Quantity |
|------|--------------------------|--|--|----------|
| 1 | 15503003 | Travel wheel set - \varnothing 90 - G50 | VS202/VP9 - VS302..F - VS402 A partir / Since 1999 | 1 |
| 2 | 15503006 | Travel wheel set \varnothing 90 - G65 | VS202/VP9 - VS302..F - VS402 A partir / Since 1999 | 1 |
| 3 | 15503001 | Driving wheel set - \varnothing 90 -G50 | VS302..F - VS402 A partir / Since 1999 | 1 |
| 4 | 15503005 | Driving wheel set - \varnothing 90 - G65 | VS302..F - VS402 A partir / Since 1999 | 1 |
| 5 | 15503004 | Complete shaft travel wheel | VP9 | 1 |
| 6 | 15503002 | Bearling-flange set | VP9-VS302 | 1 |
| 7 | 7412072A | Complete bearing | VP9-VS302 | 2 |

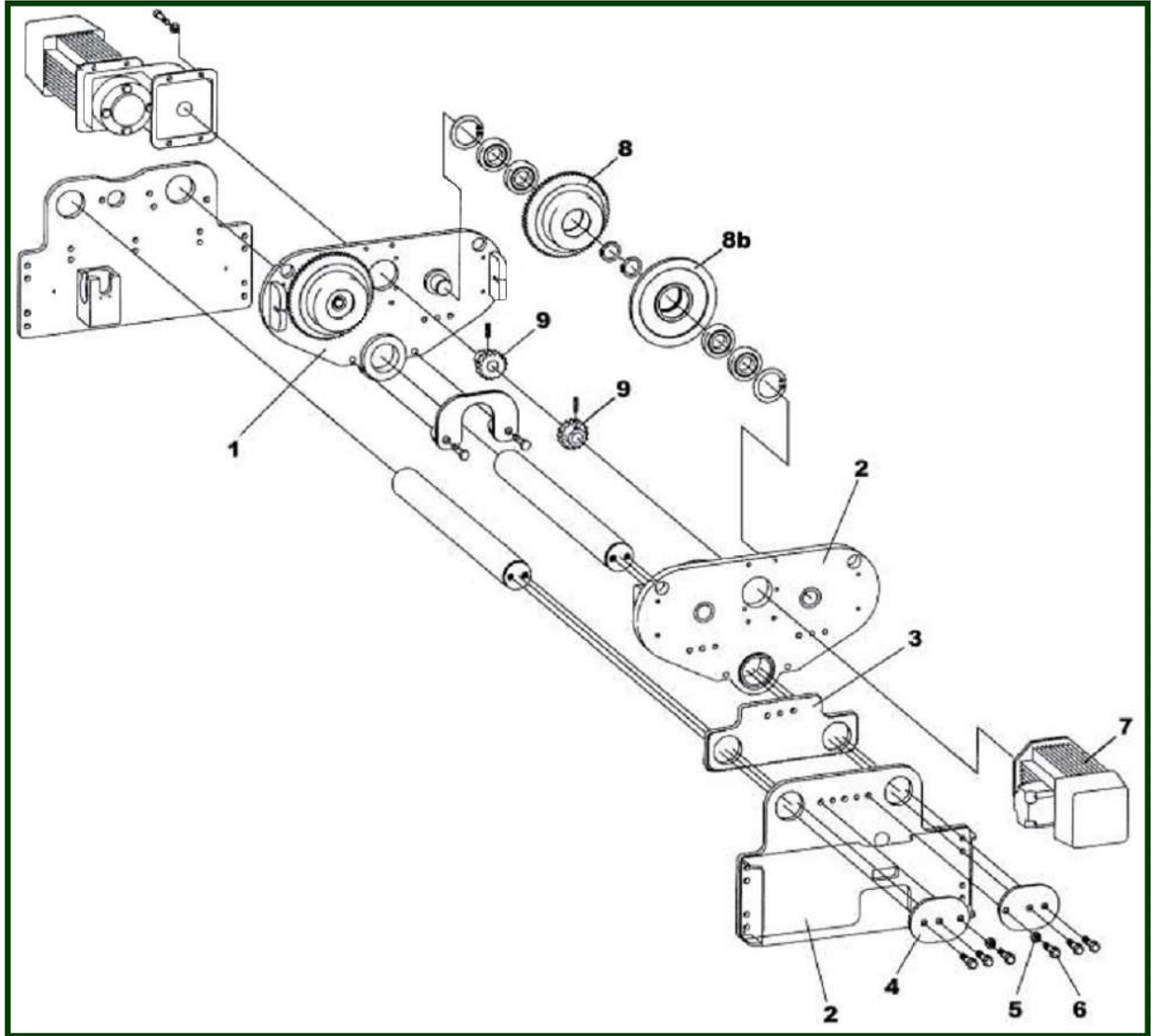
23.2) Wheel set VP11



| item | reference | description | observation | Quantity |
|------|--------------------------|---------------------------------|------------------------|----------|
| 1 | 15803003 | Travel wheel set - ø 110 - G50 | VS402 / VP11 - VS204 | 1 |
| 2 | 15803006 | Travel wheel set - ø 110 - G65 | VS402 / VP11 - VS204 | 1 |
| 3 | 15803001 | Driving wheel set - ø 110 - G50 | VP11 - VS304.F - VS402 | 1 |
| 4 | 15803005 | Driving wheel set - ø 110 - G65 | VP11 - VS304.F - VS402 | 1 |
| 5 | 15803004 | Shaft travel wheel | VP11 - VS304 - VS402 | 1 |
| 6 | 15803002 | Bearling-flangeset | VP11 - VS304 - VS402 | 1 |
| 7 | 7413082Y | Bearing | VP11 - VS304 | 2 |

24) Compact trolley - HPN

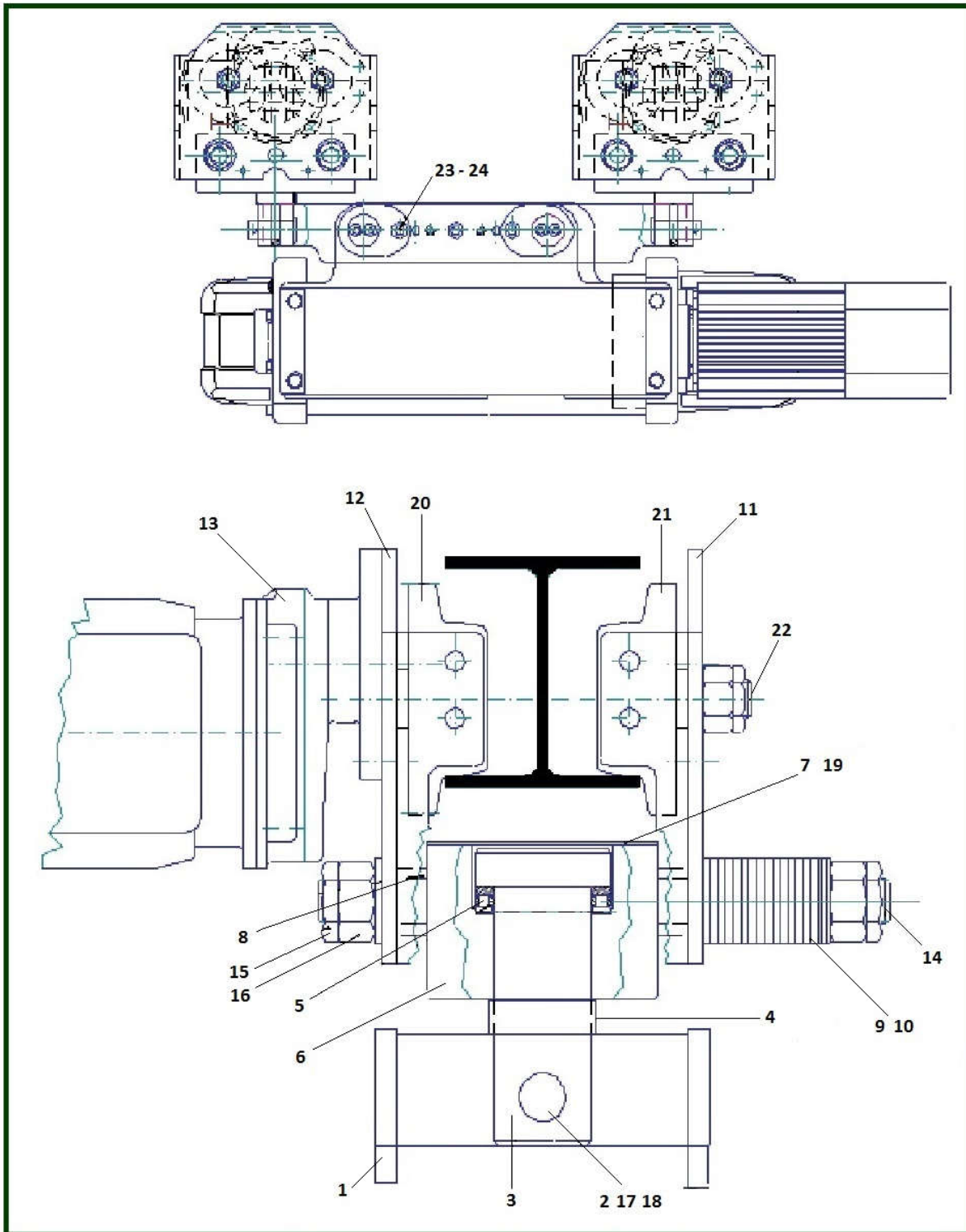
Tambour A et C seulement - A and C drum only



| item | reference | description | observation | Quantity |
|-----------|------------------------------|-----------------------|--|----------|
| 1 & 2 | 1134531 | Side plate | | 1 |
| 3 | V2RAB06A | Non pivoting plate | | 2 |
| 4 & 5 & 6 | NC VF | Driving set | | 2 |
| 7 | Voir chap.21 | Travelling motor gear | GS...RPC+MF07 < 20m/min - GS...RPC+MF07 > 20m/min | 1 |
| 8 | 1133508 | Geared travel wheel | Chariot 1 GMR (2) - Chariot 2 GMR (4) - VB13 - Ø 125mm | 4 |
| 8b | 1133507 | Ungeared wheel | Chariot 1 GMR (2) - Chariot 2 GMR (4) - VB13 - Ø 125mm | 2 |
| 9 | 1113532 | Drive wheel - 19 th | | 1 |

25) Swivelling trolley - HPN

Hauteur Perdue Normale / Normal Headroom Trolley - VS201 1...A & C - VS202 1...A & C - VS204 2...A & C

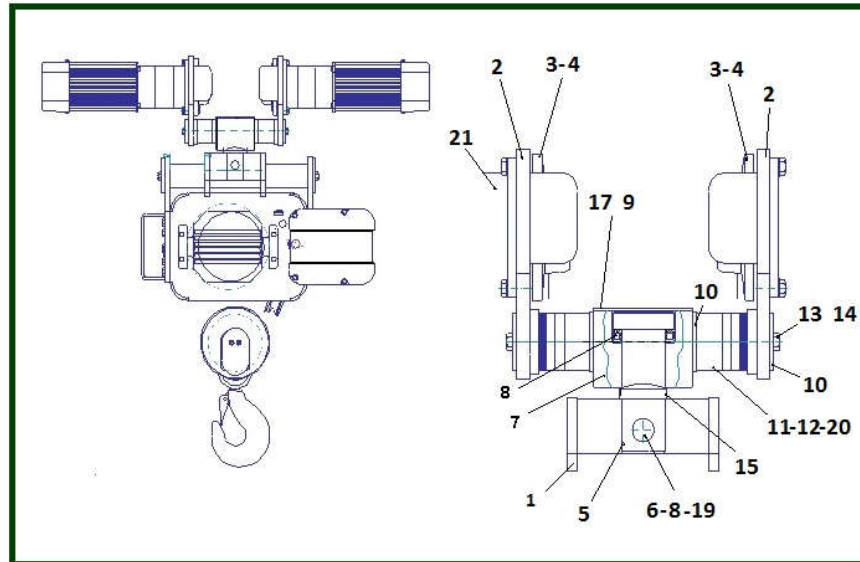


| item | reference | description | observation | Quantity |
|------|--------------------------|----------------|--------------|----------|
| 1 | V2RAB02A | Beam | | 1 |
| 1 | V30165A | Beam | VS204 2...OC | 1 |
| 2 | 1143515 | Pivot shaft | | 2 |
| 3 | 1139002 | Pivoting shaft | | 2 |

| | | | | |
|---------|-----------------|---|--|-----|
| 4 | <u>V1RAB21A</u> | Stabilizing washer | | 2 |
| 5 | <u>51110</u> | Thrust ball bearing | | 2 |
| 6 | <u>V1RAB22A</u> | Swivel pin square | | 2 |
| 7 | <u>1139005</u> | Cover | | 2 |
| 8 | <u>558968</u> | Spacer tube | C2 - Court/Short & Long | 8 |
| 9 | <u>832112</u> | Washers M24 - 4mm | C2 | 124 |
| 10 & 18 | <u>832113</u> | Washers M24 - 2mm | C2 | 28 |
| 11 | <u>558910</u> | Side plate (free) modul | | 2 |
| 12 | <u>558911</u> | Side plate (drive) motor | C2 | 2 |
| 13 | <u>558986</u> | Gearmotor LS71 11/3 m/mn - 0,12/0,03KW | C1-C2-C3 Plus fourni / Not supplied anymore | 0 |
| 13 | <u>558985</u> | Gearmotor LS71 20/5 m/mn - 0,25/0,06KW | C2-C3 Plus fourni / Not supplied anymore | 0 |
| 14 | <u>558963</u> | Tie rod - 260 mm | C2 | 4 |
| 14 | <u>558964</u> | Tie rod - 325 mm | C2 | 4 |
| 14 | <u>558965</u> | Tie rod - 390 mm | C2 | 4 |
| 15 | <u>831576</u> | PAL nut M24 | C2 | 8 |
| 16 | <u>831540</u> | Nut H M24 | CE - XB | 8 |
| 17 | <u>8150095</u> | Split pin | | 4 |
| 19 | <u>7211151H</u> | Screw | | 8 |
| 20 | <u>558919</u> | Driving wheel without shaft | C2 - Ø 80x120 mm | 4 |
| 21 | <u>558918</u> | Ungeared wheel | C2 - Ø 80x120 mm | 4 |
| 22 | <u>558915</u> | Wheel shaft | C2 - Jusqu'en 1999 / until 1999 | 8 |
| 23 | <u>1144505</u> | Bar | Lg 250 | 3 |
| 24 | <u>831594</u> | NYLSTOP nut - M12 - DIN985 | PRC1 | 12 |

26) Swivelling trolley - HPN

Hauteur Perdue Normale / Normal Headroom Trolley - VS204 1... A et C

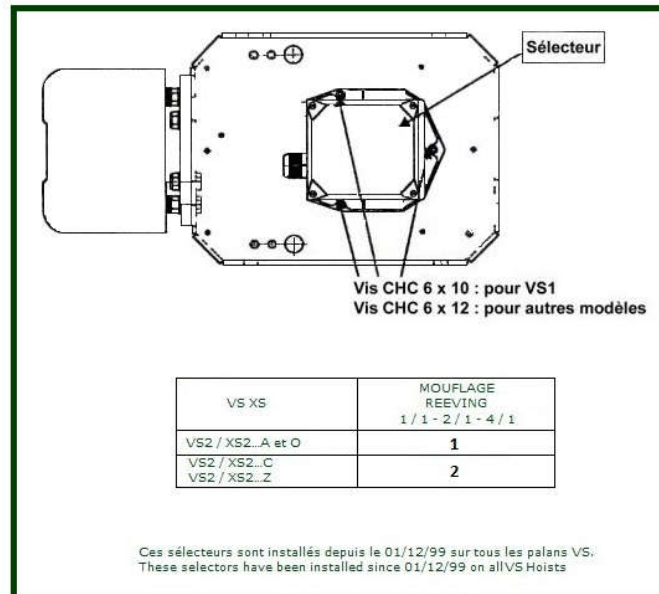


| item | reference | description | observation | Quantity |
|------|---------------------|--|--|----------|
| 1 | <u>V2RAB02A</u> | Beam | | 1 |
| 2 | <u>1114531</u> | Motor side plate | | 2 |
| 3 | <u>1113508</u> | Driving wheel set - Ø 100 | VB10D:100mm - VB10D - VS2..R..O (VSX) 2 roulements+1 circlip+1 galet moteur 2 Bearings+1 circlip+1 geared wheel | 4 |
| 4 | <u>1113507</u> | Idle wheel set - Ø 100 | VB10D:100mm - VB10D - VS2..R..O (VSX) 2 roulements+1 circlip+1 galet porteur 2 Bearings+1 circlip+1 geared wheel | 4 |
| 5 | <u>1139002</u> | Pivoting shaft | | 2 |
| 6 | <u>1143515</u> | Pivot shaft | | 2 |
| 7 | <u>1139003</u> | Pivot tie rod | | 2 |
| 8 | <u>51110</u> | Thrust ball bearing | | 2 |
| 9 | <u>1139005</u> | Cover | | 2 |
| 10 | <u>1139006</u> | End washer | | 4 |
| 11 | <u>1139108</u> | Sleeve - th. 30 | | 4 |
| 12 | <u>1139007</u> | Adjustement sleeve | | 40 |
| 13 | <u>830205</u> | Securing screw for brake bar HM 8 x 25 | | 8 |
| 14 | <u>7232081H</u> | Washer | | 8 |
| 15 | <u>V1RAB17A</u> | Stabilizing washer | | 2 |
| 16 | <u>1139008</u> | Sleeve - th. 10 | | 8 |
| 17 | <u>7211151H</u> | Screw | | 8 |
| 18 | <u>8150095</u> | Split pin | | 4 |
| 19 | <u>832113</u> | Washers M24 - 2mm | C2 | 4 |
| 20 | <u>V1RAB07A</u> | Washer | Ep. / Th. 4 | 4 |
| 21 | <u>Voir chap.21</u> | Travelling motorgear | GS...RPC+MF07 < 20m/min - GS...RPC+MF07 > 20m/min | 2 |

27) Electrical parts

| item | reference | description | observation | Quantity |
|------|--------------------------|--|---|----------|
| 1 | 7532126U | Main contactor - 400V/48V - LC1D123E7 | Moteur / Motor P1 - O-K1 | 1 |
| 2 | 1113023 | Reversing contactor | 400V-48V Levage+direction/Hoisting cross travelling LC2ECO9E (7531023V) | 1 |
| 2 | 7531122C | Reversing contactor - 440V/48V - LC2D12E7 | Moteur / Motor P1-P2-P3 - AK1-AK2 | 1 |
| 3 | 1113021 | Selector contactor | 48V | 1 |
| 3 | 1113027 | Slow and high speed contactor 400V/48V - LC1D128E | Moteur / Motor P1-P2-P3 -7532122Q | 1 |
| 4 | 1113045 | Circuit braker | 63VA 400V/48V | 1 |
| 4 | 1113002 | Circuit braker | | 1 |
| 5 | 1113048 | Transformer | 63 VA | 1 |
| 6 | 7573242K | Fuse support | BC31 | 3 |
| 7 | 7541412N | Limit switch contact - Top | | 1 |
| 7 | 1133050 | Ultimate limit switch-auto reset | Upper limit switch | 1 |
| 7 | 1133051 | Ultimate limit switch-manuel reset | | 1 |
| 8 | 7541312D | Travel limit switch | C1-C2-C3 | 1 |
| 8 | 1123046 | Travel limit switch - 2 steps | | 1 |
| 9 | 7575304B | Fuse 4A | | 1 |
| 9 | 7575306D | Fuse 6AM | | 1 |
| 10 | 1115062 | Brake rectifier REC12 For main voltage 230V to 690V | Moteur/Motor P1 à/to P5 | 1 |
| 11 | 1113043 | Motor protector - 48V | MSL 48C | 1 |
| 11 | 1113071 | Motor protector - 115V | MSL 115C | 1 |
| 11 | 1113072 | Motor protector - 230V | MSL 230C | 1 |
| 12 | 1113008 | Auxiliary block | | 2 |
| 12 | 7536311T | Auxiliary contact LA1D11 | N1 à N3 | 1 |
| 13 | 1113118 | Hoisting unit complete | | 1 |
| 14 | 1113094 | Counter support | | 1 |
| 15 | 1113125 | Hour counter - 48V-50Hz | | 1 |
| 15 | 1123044 | Hour counter - 110V-50Hz | | 1 |
| 15 | 7691116J | Hour counter - 220V-50Hz | | 1 |
| 16 | 1113140 | On & Off unit | | 1 |
| 17 | 1103001 | Monitor+connectors | CU1 | 1 |
| 18 | 1113101 | Monitor+transformer | CU1 | 1 |
| 19 | 1113121 | Complete lifting unit | | 1 |

28) Mounting and choosing the came selector



| item | reference | description | observation | Quantity |
|------|-------------------|----------------------------|---|----------|
| 1 | <u>GTES67DZM</u> | Rotating limit switch - 4C | XS2 - VS2...C et Z 1/1-2/1-4/1 Depuis/Since 01/12/99 | 1 |
| 2 | <u>GTES110DZM</u> | Rotating limit switch - 4C | VS2...C et Z 1/1 - 2/1 - 4/1 - Depuis/Since 01/12/99 | 1 |