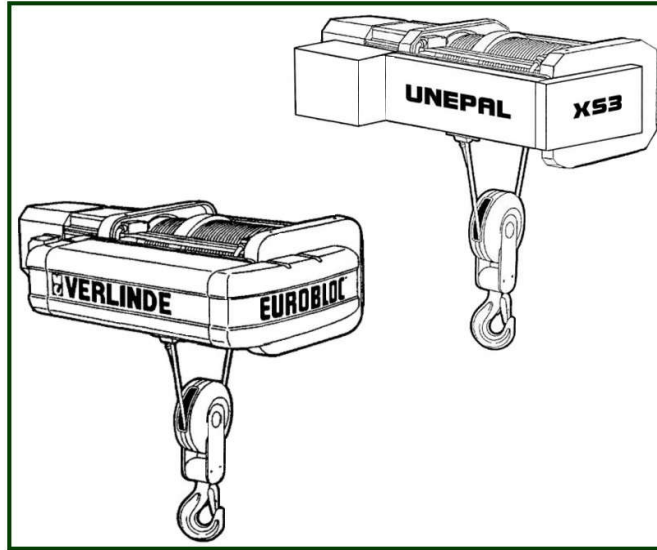


Spare parts catalog for "VS3-XS3"

To avoid errors, when ordering please specify:

- Complete type of hoist
- Date of manufacture and serial number
- Spare part code
- Spare part designation
- Additional information



0) VS HOIST CODIFICATION

- 1) COVER
 - 1.1) VS3
 - 1.2) XS3
- 2) FRAME SHORT DRUM A
- 3) FRAME LONG DRUM C
- 4) FRAME LONG DRUM D AND E - FM AND NHT FOR VS306
- 5) FRAME - DRUM A AND C - FM 4/2 - LIFTING CENTERED
- 6) ROPE DRUM
 - 6.1) Precut rope
- 7) GEAR
- 8) ROPE ANCHORAGE SUSPENSION - 2 ROPED - FM AND NHT
- 9) ROPE ANCHORAGE SUSPENSION - 2 FALLS- LHT
- 10) ROPE SHEAVE UNIT - 4 ROPED - FM AND NHT
- 11) ROPE SHEAVE UNIT - 4 ROPED - LHT
- 12) RETURN WHEEL AND FIXED POINT ASSEMBLY + LOAD LIMITOR VS306
- 13) OVERLOAD LIMITOR FM-NHT-LHTUP ELECTR. MECHANICAL WITH OR WITHOUT HALL SANSOR
- 14) OVERLOAD LIMITOR FM-NHT-LHT ELECTR. MECHANICAL
 - 14.1) Electr. + mechanical and hall sensor
 - 14.2) Hall sensor
- 15) SPRING WASHER TABLE
- 16) OVERLOAD PROTECTION FOR VS306
- 17) LIFTING HOOK - 2 ROPED - 1AM
- 18) LIFTING HOOK - 2 FALLS - 2/3M
- 19) LIFTING HOOK - 4 FALLS - 1 AM
- 20) LIFTING HOOK - 4 ROPED - 2/3M
- 21) LIFTING HOOK - 6 ROPED
- 22) TRUE VERTICAL LIFTING HOOK - 4/2 ROPED - CABLE 7MM
- 23) LOW HEADROOM TROLLEY - LHT
- 24) NORMAL HEADROOM TROLLEY - NHT
- 25) BIRAIL TROLLEY
- 26) WHEEL SET VP09 AND VP11
 - 26.1) VP09 wheel set
 - 26.2) VP11 wheel set
- 27) BIRAIL TROLLEY FOR VS306
- 28) COMPACT NORMAL HEADROOM TROLLEY
- 29) BOGGIE TYPE TROLLEY (NHT)
- 30) BOGGIE TYPE TROLLEY NHT
- 31) NORMAL HEADROOM TROLLEY - NHT FOR VS306
- 32) MOTORGARBOXES FOR NHT AND LHT MONORAIL HOIST
 - 32.1) Before april 1999
 - 32.2) After april 1999
- 33) MOTORGARBOX FOR BIRAIL HOIST
- 34) ELECTRICAL PARTS
- 35) MOUNTING AND CHOOSING THE CAME SELECTOR

0) VS hoist codification

ABREVIATIONS		ABREVIATIONS	
(Palan) Fixe	F	Foot Mounted hoist	FM
Chariot à Hauteur Perdue Normale	HPN	Normal Headroom Trolley	NHT
Chariot à Hauteur Perdue Réduite	HPR	Low Headroom Trolley	LHT

CODIFICATION DES PALANS VS / VS HOIST CODIFICATION											
VS		PALAN VS									
2		TAILLE DU CHASSIS									
1, 2, 3, 4, 5, 6		04 1 1									
MOUFLAGE		Nombre de brins / Sorties de câbles au tambour / Nombre de « crochets »									
5		GROUPE ISO									
R 20		CHARIOT (*) / LARGEUR DE FER (**)									
A		LONGUEUR DE CHASSIS / HAUTEUR DE LEVAGE									
VS		A, B, C, D, E, F, G, H, J, K, L, M, N									
2		N									
04 1 1		N2									
5		23 5									
R 20		SE 5									
A		+									
N		25									
N		N									

REDUCTEUR / VITESSE	
L = Lent	N = Normal
R = Rapide	X = Spécial

MOTEUR	
N (1, 2, 3, 4, 5) = 2 vitesses	N2
H (2, 3, 4) = Service lourd	
F (3, 4, 5, 6) = Variation de vitesse	
X = Spécial	
(1 = 1,9 kW, 2 = 3,5 kW, 3 = 7,5 kW, 4 = 15 kW, 5 = 30 kW)	

TENSION D'ALIMENTATION	
23 5 = 230V / 50 Hz	23 5
40 5 = 400V / 50 Hz	
41 5 = 415V / 50 Hz	

EQUIPEMENT ELECTRIQUE	
S = Palan solo	SE 5
K = Palan pour kit	
C = Classic	
E = Europe	
H = Hi-tronic	
4 = IP 54	
5 = IP 55	
X = Spécial	

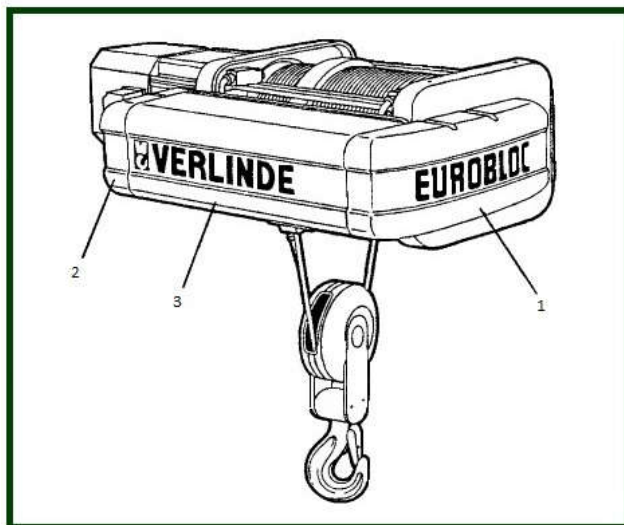
LIMITEUR DE CHARGE	
L = Limiteur seul	+
M = Monitor	
+ = Limiteur + monitor	

DIRECTION	
16 = 16/4	25
20 = 20/5	
25 = 25/6,3	
NO = Non	
CH = Chaîne	
XX = Spécial	

CONCEPTION SPECIALE	
N = Non	N
M = Mécanique	
E = Electrique	
D = Divers	

1) Cover

NC: Nous consulter/Please, consult us - (*) Pièce à la commande. Préciser l'année de fabrication/Parts on order. Indicate year of manufacturing



1.1) VS3

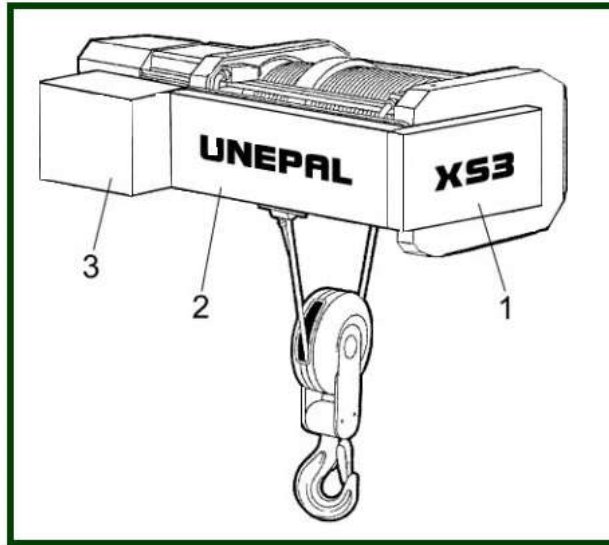
NC: Nous consulter/Please, consult us - (*) Pièce à la commande. Préciser l'année de fabrication/Parts on order. Indicate year of manufacturing



item	reference	description	observation	Quantity
1	<u>1135021</u>	Cover	Jusqu'à fin novembre 1999 / Up to novembre 1999 N'est plus fourni / Not any more supplied	1
2	<u>1135023</u>	Cover		1
3	<u>1135030</u>	Electric cubicle	VS2...C - VS3...A(*)	1
3	<u>1135130</u>	Electric cubicle	VS3...C VS306...D et E(*)	1
4	<u>V3ED002A</u>	Extension piece for electric cubicle	VS306...D(*)	1
4	<u>V3EE002A</u>	Extension piece for electric cubicle	VS306...E(*)	1

1.2) XS3

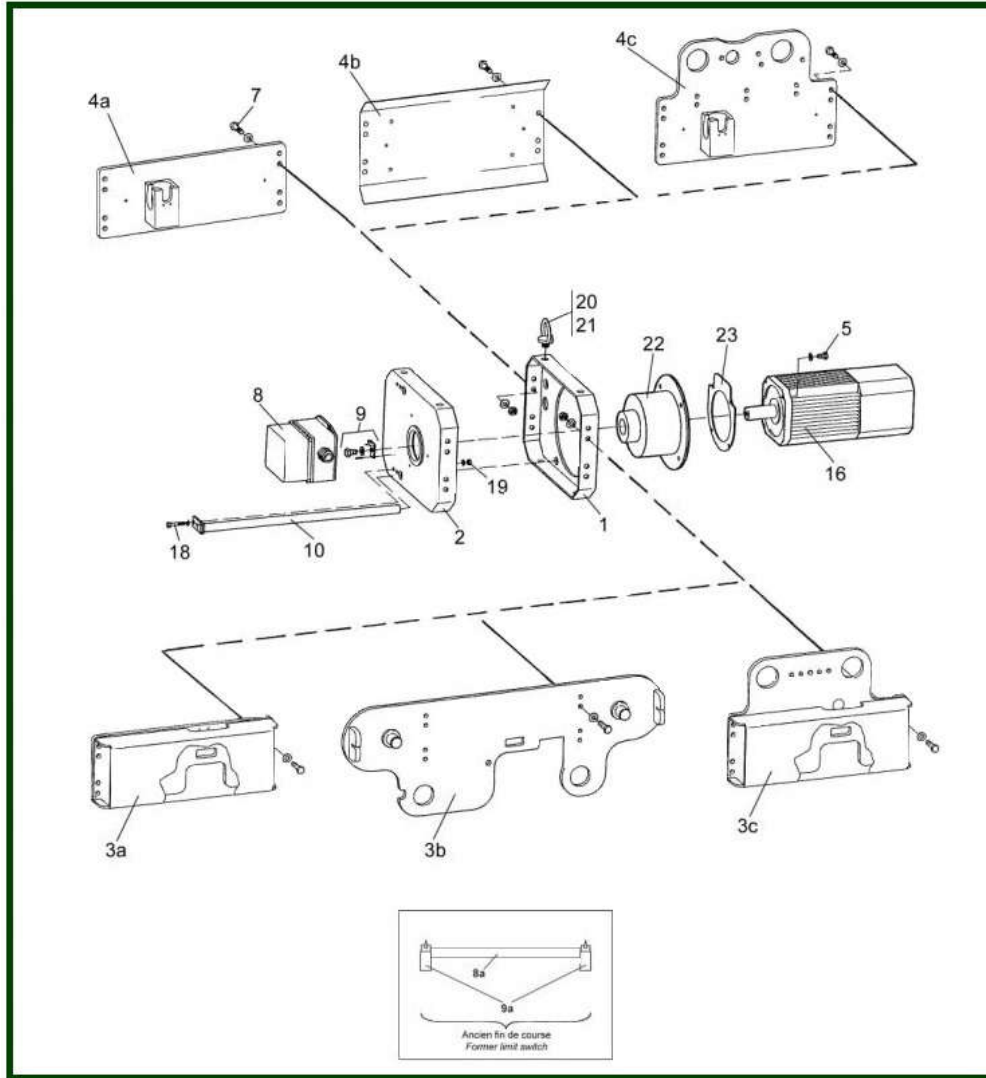
NC: Nous consulter/Please, consult us - (*) Pièce à la commande. Préciser l'année de fabrication/Parts on order. Indicate year of manufacturing



item	reference	description	observation	Quantity
1	S3FAB03B	Opposit motor side cover	XS2 & XS3 A et C Seulement / Only	1
1	S3FAB05B	Opposit motor side cover	XS306...D et E(*)	1
2	S3FA002B	Side cover	XS2 & XS3 A et C Seulement / Only	1
2	S3FA001B	Side cover	XS2 & XS3 A et C Seulement / Only	1
2	S3FAD04B	Side cover	XS306...D(*)	1
2	S3FAE04B	Side cover	XS306...E(*)	1
3	N.C.	End carriage	VS402 / VP11 - VS404 / VP14 - VS502 VS504 < 16T	1

2) Frame short drum A

NC: Nous consulter/Please, consult us - (*) Pièce à la commande. Préciser l'année de fabrication/Parts on order. Indicate year of manufacturing

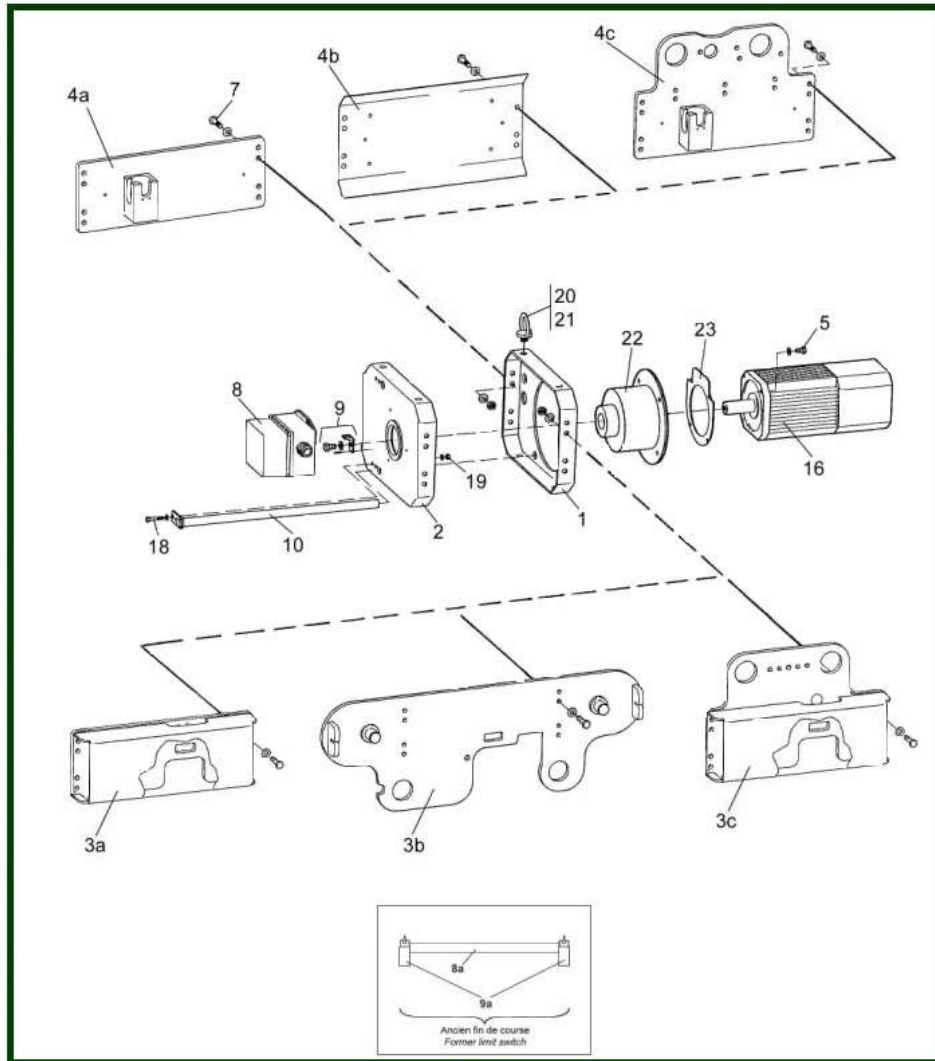


item	reference	description	observation	Quantity
1	1135040	End plate - Motor side		1
2	1135050	End plate - Opposite motor side		1
3a 4b	1135011	Side plate - LHT	XS2 - VS2...R..A - VS202...F - XS3 - VS3...R..A - VS302...F...A	1
3a	1135014	Side plate (4/1)	XS2 - VS2...N..A - XS3 - VS204...F..A	1
3b	1133511	Side plate - LHT	XS2 - VS202...R..A - XS3 - VS302...R..A - VS304...R..A	1
3c	1134514	Side plate - NHT	VS2 N A - VS302...N..A VS304...N..A	1
4a	1135017	Side plate - Fixed	XS2 - VS2...F..A - XS3 - VS3...F..A	1
4c	1134515	Side plate - NHT	XS2 - VS2...N..A - XS3 - VS3...N..A	1
5	830903	CHC screw 10 x 25	Moteur N2 - Vis à coller / Screw paste	4
5	830917	Screw CHC 8 x 25	Moteur N3 - Vis à coller / Screw paste	4
7	NCVF VS3	Fixing screw set		8
8	Chap. 35	Rotating limit witch	XS2 - VS2...C et Z 1/1-2/1-4/1 - Depuis/Since 01/12/99	1
8a	1111022	Limit switch shaft	VS3.....A - Lg 530 mm - Jusqu'au / Until 30/11/99	1
9	1124020	Fixing set + cam selector bracket	Depuis/Since le 01/12/99	1
9a	1113113	Limit switch	Jusqu'à / To 30/11/99	2
10	1111028	Rope guide support shaft	VS1...A - VS3...A	1

16	1127002	Motor 230V/50Hz - 3,5/0,5Kw	VS3...N2	1
16	1137002	Motor 230V/50Hz - 7,5/1,2Kw	VS3...N3	1
16	1127004	Motor 380V/50Hz - 440V/60Hz - 3,5/0,5Kw	VS3...N2	1
16	1137004	Motor 380V/50Hz - 440V/60Hz - 7,5/1,2Kw	VS3...N3	1
16	1137006	Motor 400V/50Hz - 7,5/1,2Kw	VS3...D3 - Frein manuel / Manual brake	1
16	1127001	Motor 400V/50Hz - 460V/60Hz - 3,5/0,5Kw	VS3...N2	1
16	1137001	Motor 400V/50Hz - 460V/60Hz - 7,5/1,2Kw	VS3...N3	1
16	1137003	Motor 400V/50Hz - 460V/60Hz - 15/2,5 Kw	VS3...N3	1
16	1127003	Motor 415V/50Hz - 3,5/0,5Kw	VS3...N2	1
18	830905	CHC Screw 8X20		2
19	831504	Brake washer AZ M8	VS4...B...D - VS5...D/E	2
20	1140006	Lifting hook	Fixe (2) - HPN (4) - HPR (1)	2
21	831594	NYLSTOP nut - M12 - DIN985	PRC1	1
22	voir chap 7	Gearbox		1
23	1137550	Plate	VS3...N2 Seulement pour / Only for 3G2200	1
-	1113070	Connecting box	VS1 N1	1
-	5809212L	Nut M8	Pour fixation / For mounting rail (rep. 8a)	2
-	7215453J	Screw CHC 8x16	Vis pour rail / Screw for shaft	2

3) Frame long drum C

NC: Nous consulter/Please, consult us - (*) Pièce à la commande. Préciser l'année de fabrication/Parts on order. Indicate year of manufacturing

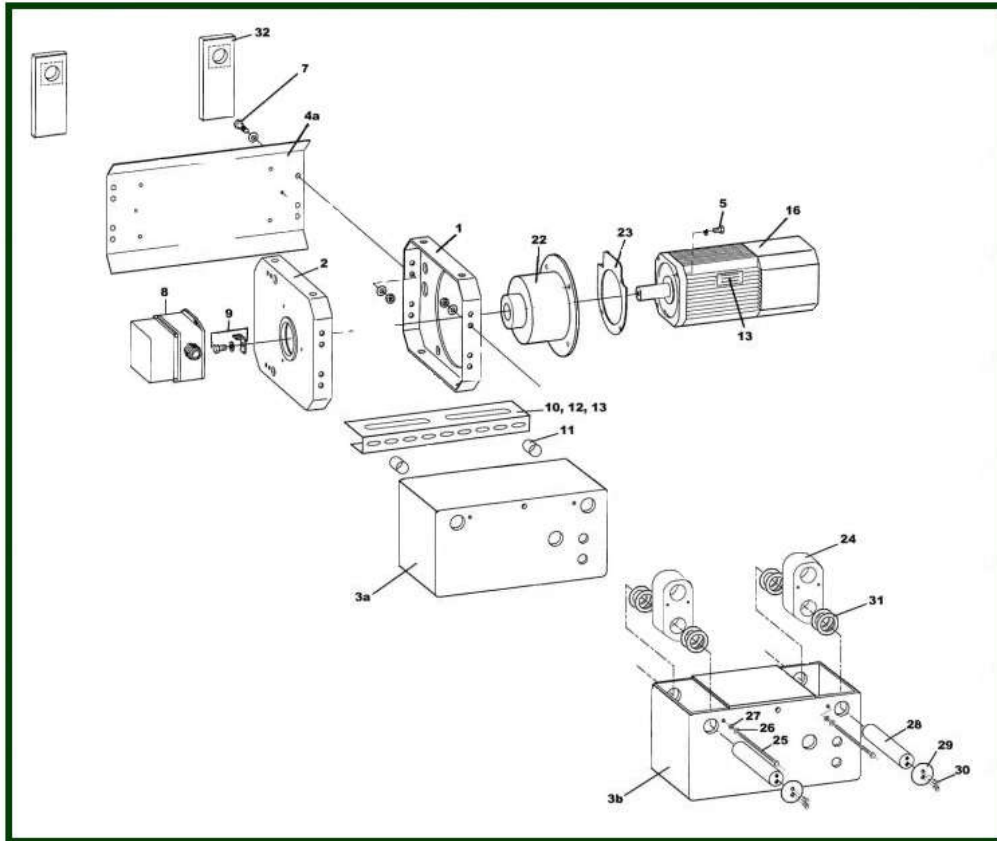


item	reference	description	observation	Quantity
1	1135040	End plate - Motor side		1
2	1135050	End plate - Opposite motor side		1
3a 4b	1135111	Side plate for LHT hoist (2/1)	XS2 - VS2...R - VS202...F..C - VS202...R..C	1
3a	1135114	Side plate for FM hoist (4/1)	XS2 - VS204...F..C	1
3b	1133611	Side plate for LHT hoist - Idle side	XS2 - VS202...R..C - VS204...R..C	1
3c	1134614	Side plate NHT	XS2-VS202...N..C - VS204...N..C	1
4a	1135117	Side plate for LHT hoist	XS2 - VS2...F..C	1
4c	1134615	Welded side plate	XS2-VS2...N..C	1
5	830903	CHC screw 10 x 25	Moteur N2 - Vis à coller / Screw paste	1
5	830917	Screw CHC 8 x 25	Moteur N3 - Vis à coller / Screw paste	1
7	N.C.	End carriage	VS402 / VP11 - VS404 / VP14 - VS502 VS504 < 16T	8
8	GTES110DZM	Rotating limit switch - 4C	VS2...C et Z 1/1 - 2/1 - 4/1 - Depuis/Since 01/12/99	1
8	GTES67DZM	Rotating limit switch - 4C	XS2 - VS2...C et Z 1/1-2/1-4/1 Depuis/Since 01/12/99	1
8a	1111122	Limit switch shaft	XS2 -VS2.....C - Jusqu'au / until 30/11/99	1
9	1124020	Fixing set + cam selector bracket	Depuis/Since le 01/12/99	1
9a	1113113	Limit switch	Jusqu'à / To 30/11/99	2

10	1111030	Rope guide support shaft	XS2 -VS2.....C	1
14	7215453J	Screw CHC 8x16	Vis pour rail / Screw for shaft	1
15	5809212L	Nut M8	Pour fixation / For mounting rail (rep. 8a)	1
16	1127002	Motor 230V/50Hz - 3,5/0,5Kw	VS3...N2	1
16	1137002	Motor 230V/50Hz - 7,5/1,2Kw	VS3...N3	1
16	1127004	Motor 380V/50Hz - 440V/60Hz - 3,5/0,5Kw	VS3...N2	1
16	1137004	Motor 380V/50Hz - 440V/60Hz - 7,5/1,2Kw	VS3...N3	1
16	1137006	Motor 400V/50Hz - 7,5/1,2Kw	VS3...D3 - Frein manuel / Manual brake	1
16	1127001	Motor 400V/50Hz - 460V/60Hz - 3,5/0,5Kw	VS3...N2	1
16	1137001	Motor 400V/50Hz - 460V/60Hz - 7,5/1,2Kw	VS3...N3	1
16	1137003	Motor 400V/50Hz - 460V/60Hz - 15/2,5 Kw	VS3...N3	1
16	1127003	Motor 415V/50Hz - 3,5/0,5Kw	VS3...N2	1
18	830905	CHC Screw 8X20		2
19	831504	Brake washer AZ M8	VS4...B...D - VS5.....D/E	2
20	1140006	Lifting hook	Fixe (2) - HPN (4) - HPR (1)	2
21	831594	NYLSTOP nut - M12 - DIN985	PRC1	1
22	voir chap 7	Gearbox		1
23	1137550	Plate	VS3...N2 Seulement pour / Only for 3G2200	1
-	1113070	Connecting box	VS1 N1	1

4) Frame long drum D and E - FM and NHT for VS306

NC: Nous consulter/Please, consult us - (*) Pièce à la commande. Préciser l'année de fabrication/Parts on order. Indicate year of manufacturing

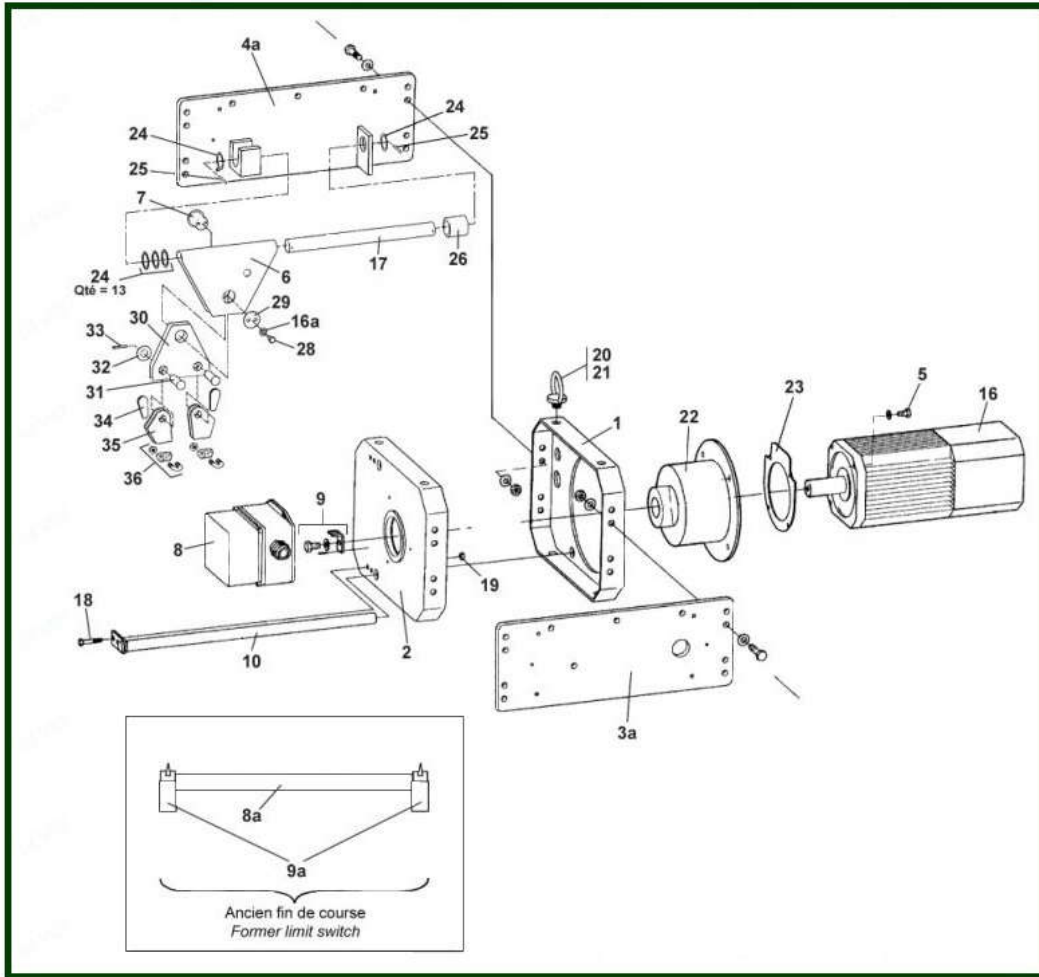


item	reference	description	observation	Quantity
1	1135040	End plate - Motor side		1
2	1135050	End plate - Opposite motor side		1
3a	V3BAP6DA	Load beam for FM hoist Lg D	*	1
3a	V3BAP6EA	Load beam for FM hoist Lg E	*	1
3b	V3NAP6DA	Load beam for NHT hoist Lg D	*	1
3b	V3NAP6EA	Load beam for NHT hoist Lg E	*	1
4a	V3BA11DA	Side plate	* Lg D	1
4a	V3BA11EA	Side plate	* Lg E	1
5	830903	CHC screw 10 x 25	Moteur N2 - Vis à coller / Screw paste	4
5	830917	Screw CHC 8 x 25	Moteur N3 - Vis à coller / Screw paste	4
8	GTES110DZM	Rotating limit switch - 4C	VS2...C et Z 1/1 - 2/1 - 4/1 - Depuis/Since 01/12/99	1
8	GTES67DZM	Rotating limit switch - 4C	XS2 - VS2...C et Z 1/1-2/1-4/1 Depuis/Since 01/12/99	1
9	1124020	Fixing set + cam selector bracket	Depuis/Since le 01/12/99	1
10	3X1A01DB	U shape guide rail for D drum - Lg 970mm	VS306 seulement / only	1
10	3X1A01EB	U shape guide rail for E drum - Lg 1140mm	VS306 seulement / only	1
11	5358211T	Spacerring for adjustment	Ep. / Th : 10 -Tambour D (10) - Tambour E (14)	10
12	830914	CHC screw 8 x 30	Tambour D (5) -Tambour E (7)	5
13	7231081W	Flat washer	Tambour D (5) -Tambour E (7)	5
16	1127002	Motor 230V/50Hz - 3,5/0,5Kw	VS3...N2	1
16	1137002	Motor 230V/50Hz - 7,5/1,2Kw	VS3...N3	1
16	1127004	Motor 380V/50Hz - 440V/60Hz - 3,5/0,5Kw	VS3...N2	1

16	<u>1137004</u>	Motor 380V/50Hz - 440V/60Hz - 7,5/1,2Kw	VS3...N3	1
16	<u>1137006</u>	Motor 400V/50Hz - 7,5/1,2Kw	VS3...D3 - Frein manuel / Manual brake	1
16	<u>1127001</u>	Motor 400V/50Hz - 460V/60Hz - 3,5/0,5Kw	VS3...N2	1
16	<u>1137001</u>	Motor 400V/50Hz - 460V/60Hz - 7,5/1,2Kw	VS3...N3	1
16	<u>1137003</u>	Motor 400V/50Hz - 460V/60Hz - 15/2,5 Kw	VS3...N3	1
16	<u>1127003</u>	Motor 415V/50Hz - 3,5/0,5Kw	VS3...N2	1
20	<u>1140006</u>	Lifting hook	Fixe (2) - HPN (4) - HPR (1)	4
21	<u>831594</u>	NYLSTOP nut - M12 - DIN985	PRC1	4
22	<u>voir chap 7</u>	Gearbox		1
23	<u>1137550</u>	Plate	VS3...N2 Seulement pour / Only for 3G2200	1
24	<u>V3NAP65A</u>	NHT connection plate - width beam < 250 mm	*	2
24	<u>V3NAP66A</u>	NHT connection plate - width beam > 250 mm	*	2
25	<u>830408</u>	Screw HM 16 x 140		2
27	<u>51001027</u>	Nylstop nut - Ø 16		2
28	<u>V3NAP64A</u>	Shaft	*	2
29	<u>V3SAU02A</u>	Fixing plate		4
30	<u>830205</u>	Securing screw for brake bar HM 8 x 25		2
31	<u>N.C.</u>	End carriage	VS402 / VP11 - VS404 / VP14 - VS502 VS504 < 16T	1
32	<u>V3NB601A</u>	Locking plate for tie rod		1
-	<u>1113070</u>	Connecting box	VS1 N1	1

5) Frame - Drum A and C - FM 4/2 - Lifting centered

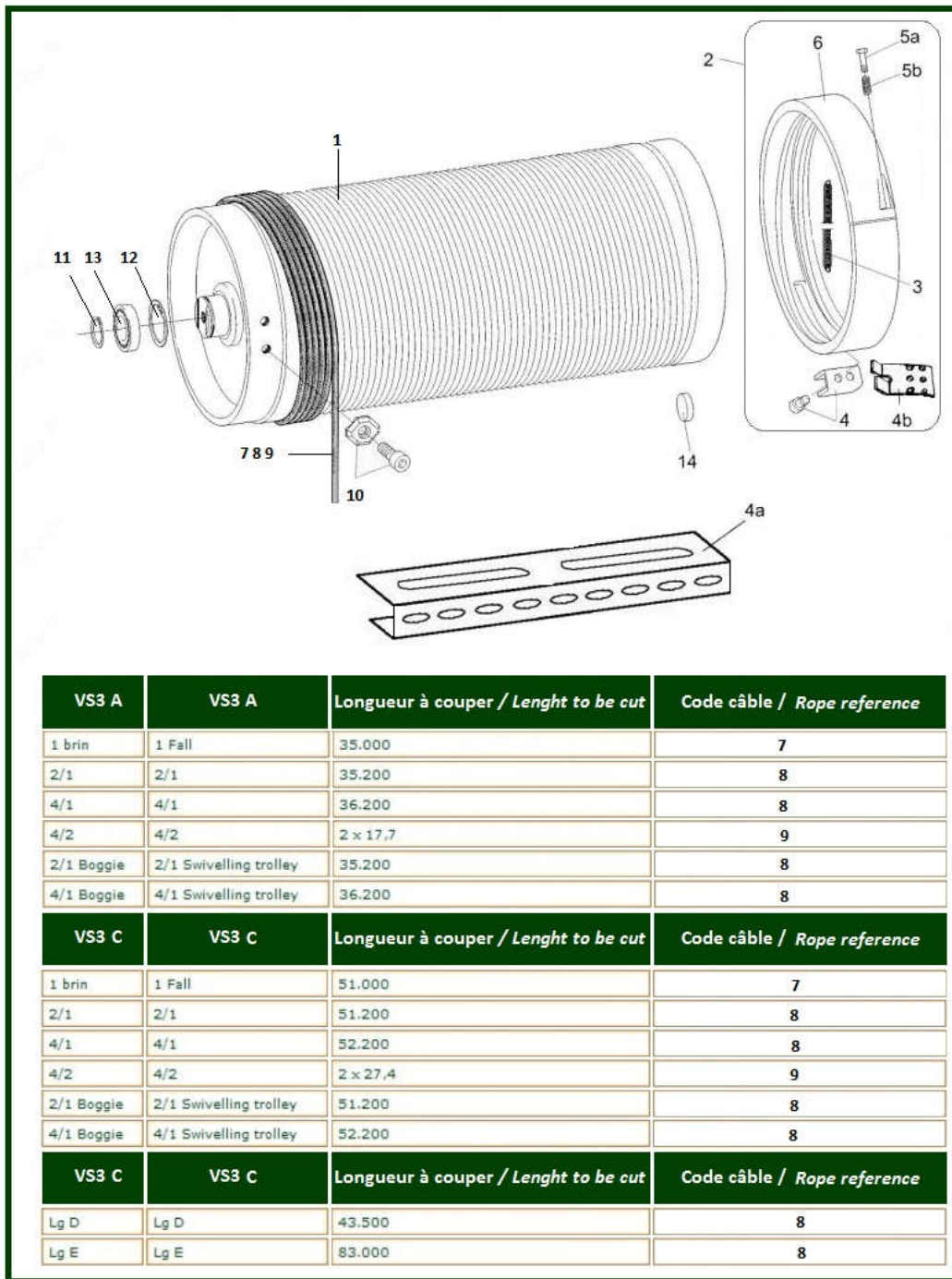
NC: Nous consulter/Please, consult us - (*) Pièce à la commande. Préciser l'année de fabrication/Parts on order. Indicate year of manufacturing



item	reference	description	observation	Quantity
1	1135040	End plate - Motor side		1
2	1135050	End plate - Opposite motor side		1
3a	1135111	Side plate for LHT hoist (2/1)	XS2 - VS2...R - VS202...F..C - VS202...R..C	1
3a	1135011	Side plate - LHT	XS2 - VS2...R..A - VS202...F - XS3 - VS3...R..A - VS302...F...A	1
4a	VS30210A	Side plate - cubicle side	* Lg A	1
4a	VS30192A	Side plate - cubicle side	* Lg C	1
5	830903	CHC screw 10 x 25	Moteur N2 - Vis à coller / Screw paste	4
5	830917	Screw CHC 8 x 25	Moteur N3 - Vis à coller / Screw paste	4
6	VS30157A	Fixed point support	HPR seulement / Only LHT	1
6	1132510	Support	VS2... A & C	1
7	1112506	Pulley Shaft		1
8	GTES67DZM	Rotating limit switch - 4C	XS2 - VS2...C et Z 1/1-2/1-4/1 Depuis/Since 01/12/99	1
8a	1111022	Limit switch shaft	VS3.....A - Lg 530 mm - Jusqu'au / Until 30/11/99	1
8a	1111122	Limit switch shaft	XS2-VS2.....C - Jusqu'au / until 30/11/99	1
9	1124020	Fixing set + cam selector bracket	Depuis/Since le 01/12/99	1
9a	1113113	Limit switch	Jusqu'à / To 30/11/99	2
10	1111028	Rope guide support shaft	VS1...A - VS3...A	1
10	1111030	Rope guide support shaft	XS2 -VS2.....C	1

16	<u>1127002</u>	Motor 230V/50Hz - 3,5/0,5Kw	VS3...N2	1
16	<u>1137002</u>	Motor 230V/50Hz - 7,5/1,2Kw	VS3...N3	1
16	<u>1127004</u>	Motor 380V/50Hz - 440V/60Hz - 3,5/0,5Kw	VS3...N2	1
16	<u>1137004</u>	Motor 380V/50Hz - 440V/60Hz - 7,5/1,2Kw	VS3...N3	1
16	<u>1137006</u>	Motor 400V/50Hz - 7,5/1,2Kw	VS3...D3 - Frein manuel / Manual brake	1
16	<u>1127001</u>	Motor 400V/50Hz - 460V/60Hz - 3,5/0,5Kw	VS3...N2	1
16	<u>1137001</u>	Motor 400V/50Hz - 460V/60Hz - 7,5/1,2Kw	VS3...N3	1
16	<u>1137003</u>	Motor 400V/50Hz - 460V/60Hz - 15/2,5 Kw	VS3...N3	1
16	<u>1127003</u>	Motor 415V/50Hz - 3,5/0,5Kw	VS3...N2	1
16a	<u>8110011</u>	Washer		2
17	<u>1112318</u>	Support plate shaft		1
18	<u>830905</u>	CHC Screw 8X20		2
19	<u>831504</u>	Brake washer AZ M8	VS4...B...D - VS5...D/E	2
20	<u>1140006</u>	Lifting hook	Fixe (2) - HPN (4) - HPR (1)	4
-	<u>1113070</u>	Connecting box	VS1 N1	1
-	<u>5809212L</u>	Nut M8	Pour fixation / For mounting rail (rep. 8a)	2
-	<u>7215453J</u>	Screw CHC 8x16	Vis pour rail / Screw for shaft	2

6) Rope drum



item	reference	description	observation	Quantity
1	<u>1130500</u>	Rope drum - Lg 550mm	VS3.....A	1
1	<u>1130600</u>	Rope drum - Lg 760mm	VS3.....C	1
1	<u>1130700</u>	Rope drum - Lg 940mm	VS306.....D	1
1	<u>1130800</u>	Rope drum - Lg 1440mm	VS306.....E	1
1	<u>V3FM008A</u>	True vertical lift rope drum 2F - Lg 550mm - P7,8	VS3...A	1
1	<u>V3FM008C</u>	True vertical lift rope drum 2F - Lg 760mm - P7,8	VS3...C	1

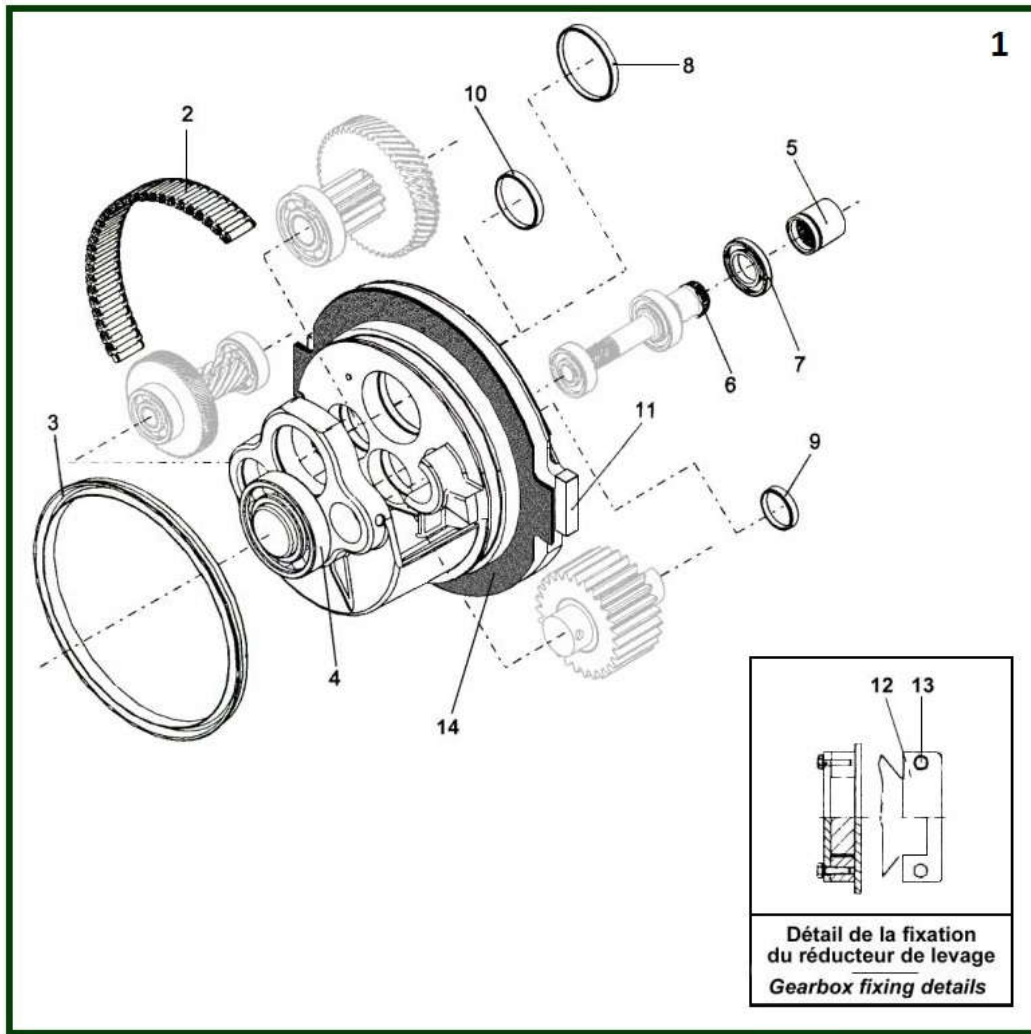
2	<u>1130561</u>	Complete rope guide - P7.8 - Ø 7 - Left	4/2 seulement	1
2	<u>1130540</u>	Complete rope guide - P9,9 - Ø 9 - Right	4/1 2/1 1/1 - Standard	1
2	<u>1130550</u>	Complete rope guide - P9,9 - Ø 9 - Right	6/1 - VS306	1
2	<u>1120540</u>	Rope guide - P7.8 - Ø 7 - Right	VS2...A et C VS202 VS204 Standard VS304 Levage centré/ True vertical	1
3	<u>1111008</u>	Spring - Lg 750		1
4	<u>1111014</u>	Shape guide		1
4a	<u>3X1A01DB</u>	U shape guide rail for D drum - Lg 970mm	VS306 seulement / only	1
4a	<u>3X1A01EB</u>	U shape guide rail for E drum - Lg 1140mm	VS306 seulement / only	1
4b	<u>3D2D04B</u>	Trigger plate	VS306 seulement / only	1
5a	<u>554347</u>	Screw	VS1-VS2	2
5b	<u>12332001</u>	Pressure spring	VS1-VS2	2
7	<u>1131042</u>	Antigratory rope - Ø 9 mm	VS3AVS3C - 1 brin / 1 fall	1
8	<u>1131142</u>	Compact rope - Ø 9 mm	VS304, VS302 et VS306 - VS4 OB, VS4 OD	1
9	<u>1121042</u>	Left rope - Ø 7	VS1...A - VS2A-VS2C-VS2O-VS2 Z - VS3A-VS3C	1
10	<u>7232100D</u>	GROWER washer M10	DIN12 Standard - Frein automatique/Automatic brake	3
10	<u>12133001</u>	Rope anchor on drum	VS2-VS4	3
10	<u>7215557X</u>	Screw CHCM10x25		3
11	<u>400081</u>	Circlip	VS2.....A et C	1
12	<u>300080</u>	Circlip	VS2.....A et C	1
13	<u>8110071</u>	Bearing	VS2.....A et C	1
14	<u>1111540</u>	Magnet set	VS1-VS2-VS3	2

6.1) Precut rope

item	reference	description	observation	Quantity
	<u>53044759</u>	Compact rope - Ø 7 17X7-B-LHL-40.4	Lg 37m	1
	<u>53044763</u>	Compact rope - Ø 7 17X7-B-LHL-40.4	Lg 38m	1
	<u>53044765</u>	Compact rope - Ø 7 17X7-B-LHL-40.4	Lg 46m	1
	<u>53043513</u>	Compact rope - Ø 9 9X17-B-LHL-68.5	Lg 20m	1
	<u>53043540</u>	Compact rope - Ø 9 9X17-B-LHL-68.5	Lg 36m	1
	<u>53043542</u>	Compact rope - Ø 9 9X17-B-LHL-68.5	Lg 37m	1
	<u>53043561</u>	Compact rope - Ø 9 9X17-B-LHL-68.5	Lg 38m	1
	<u>53043569</u>	Compact rope - Ø 9 9X17-B-LHL-68.5	Lg 39m	1
	<u>53044910</u>	Precut antigyratory rope - Ø 9 24X7-B-LHL-68.5 - VS3A VS3C	Lg 34m - 1 brin / 1 fall	1

7) Gear

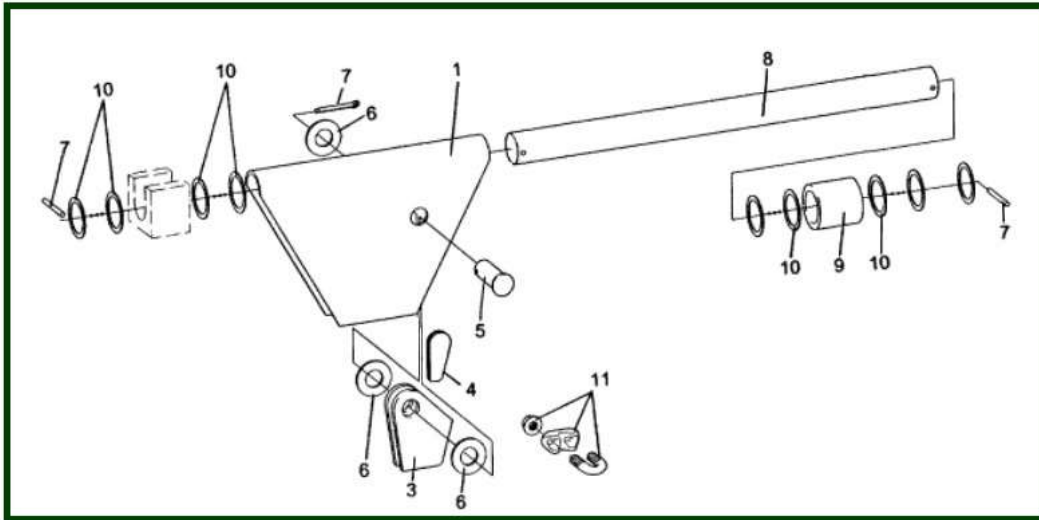
Les autres pièces ne sont pas vendues/Other parts are not sold



item	reference	description	observation	Quantity
1	1137502	Gearbox	3G2200 - L	1
1	1137503	Gearbox	3G3300 - R	1
1	1137504	Gearbox	3G3500 - N	1
2	P3G0004	Bearing		1
3	P3G0005	Sealing		1
4	8110080	Bearing		1
5	P1G0005/1	Coupling	A partir de mars 1996 / Since march 1996	1
5	P1G0005	Coupling	VS1 N1	1
5	P3G0008	Coupling	VS3 N3 - VS4...LN3	1
6	P1G0006	O-ring	VS3 N2	1
6	P3G0010	Seal	VS3 N3 - VS4...LN3	1
7	P1G0011	Seal	VS3 N2	1
7	P3G0012	Seal	VS3 N3	1
8	P2G0005	Cap	VS3 N2	1
8	P3G0014	Cap	VS3 N3	1
9	P3G0013	Cap		1
10	P3G0015	Cap		1

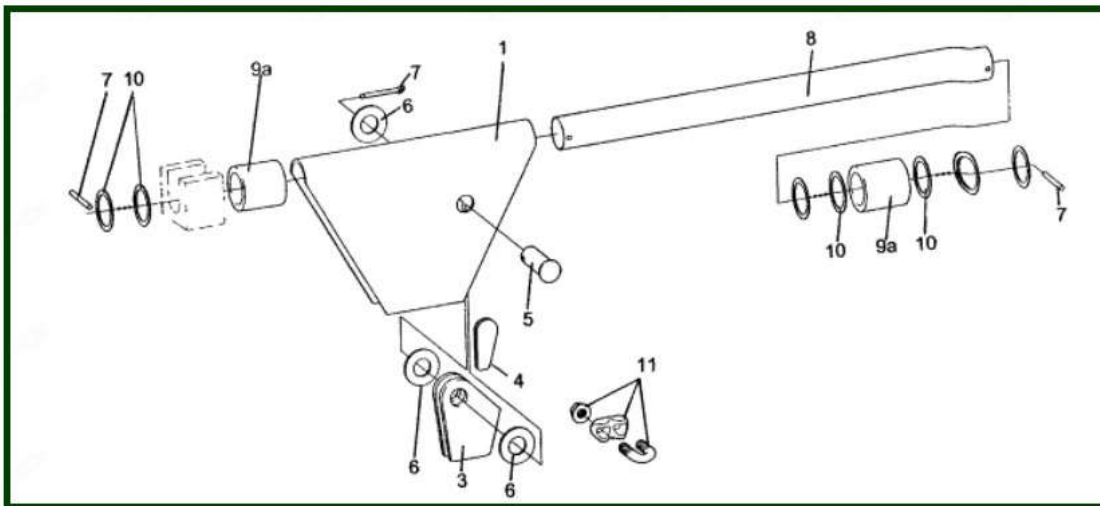
11	<u>1131038</u>	Set of 2 plastic caps	Set de cales + plaques / Set of wedge + stick	2
12	<u>1131036</u>	Gear fixing plates		2
13	<u>830201</u>	Exterior circlip	C3	4
14	<u>S3G0011A</u>	Flat plate	VS3...N2	1
-	<u>1137550</u>	Plate	VS3...N2 Seulement pour / Only for 3G2200	1

8) Rope anchorage suspension - 2 roped - FM and NHT



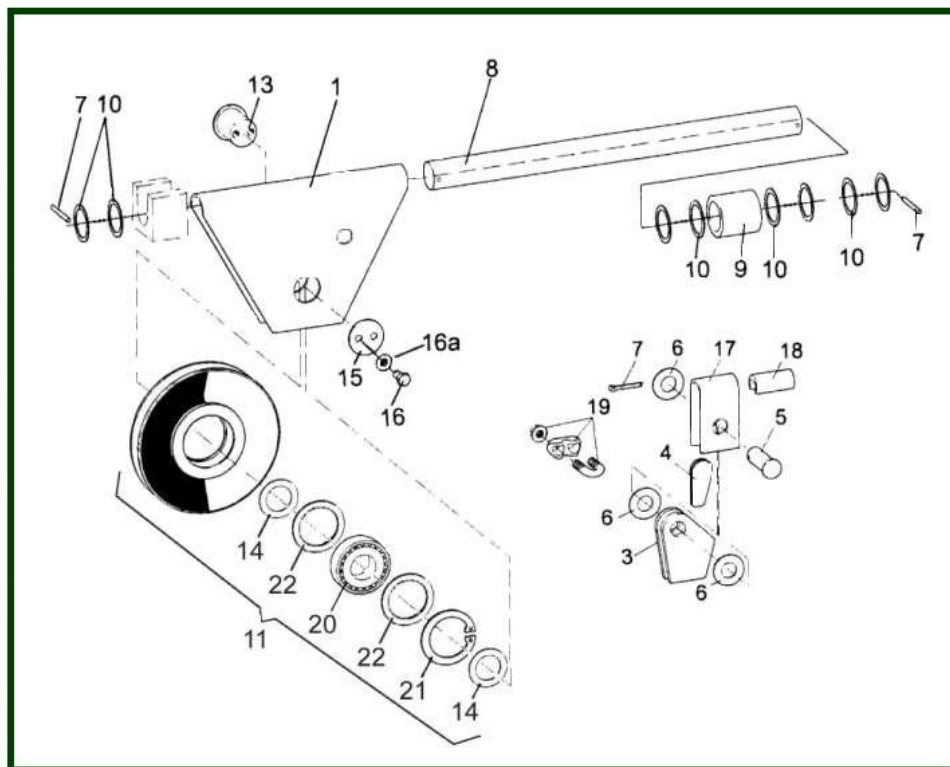
item	reference	description	observation	Quantity
1	1132510	Support	VS2... A & C	1
3	1132527	Key housing		1
4	1132530	Key		1
5	1112515	Anchor point shaft		1
6	7231202C	Washer		3
7	831662	Pin		1
8	1112518	Support shaft		1
9	1132524	Sleeve	VS2... A & C	1
10	8110003	Washer		18
11	7333100L	Rope clip - ø 10		1

9) Rope anchorage suspension - 2 falls- LHT



item	reference	description	observation	Quantity
1	1132510	Support	VS2... A & C	1
3	1132527	Key housing		1
4	1132530	Key		1
5	1112515	Anchor point shaft		1
6	7231202C	Washer		3
7	831662	Pin		1
8	1132518	Support Shaft	VS2... A & C	1
9a	1132524	Sleeve	VS2... A & C	2
10	8110003	Washer		14
11	7333100L	Rope clip - ø 10		1

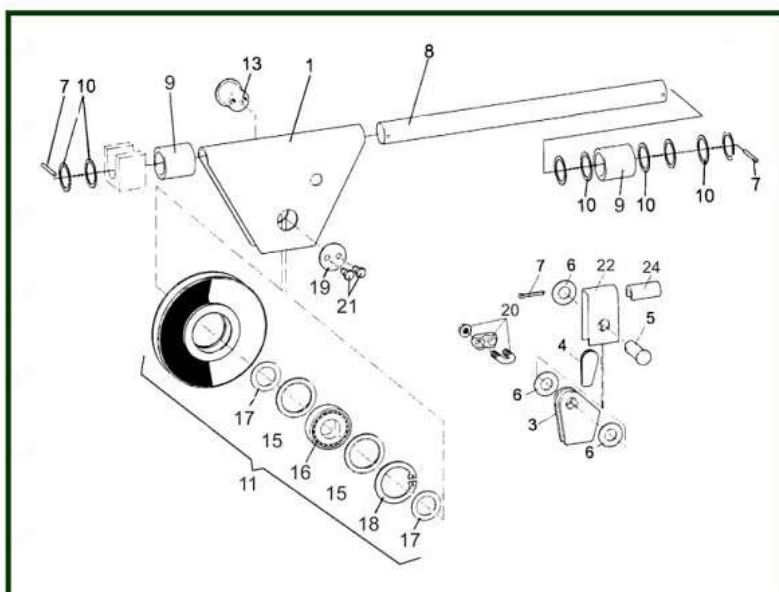
10) Rope sheave unit - 4 roped - FM and NHT



item	reference	description	observation	Quantity
1	1132610	Support	2/3M	1
1	1132510	Support	VS2... A & C	1
3	1132527	Key housing		1
4	1132530	Key		1
5	1112515	Anchor point shaft		1
6	7231202C	Washer		1
7	831662	Pin		2
8	1112518	Support shaft		1
9	1132524	Sleeve	VS2... A & C	1
10	8110003	Washer		9
11	1132520	Pulley with bearing	15+30+31	1
11	1132620	Pulley with bearing - Ø 265	15+30+31	1
13	1132606	Pulley Shaft	2/3M - VS404..5/6..R	1
13	1112506	Pulley Shaft		1
14	1132503	Sleeve	1Am	2
14	1132603	Sleeve	2/3M	1
15	1132609	Locking plate	2/3M	1
15	1112509	Washer		1
16	830201	Exterior circlip	C3	2
16a	8110011	Washer		2
17	1112534	Rope and support		1
18	1132532	Sleeve		1
19	7333100L	Rope clip - ø 10		1
20	8130072	Bearing		1
20	8130070	Bearing		1

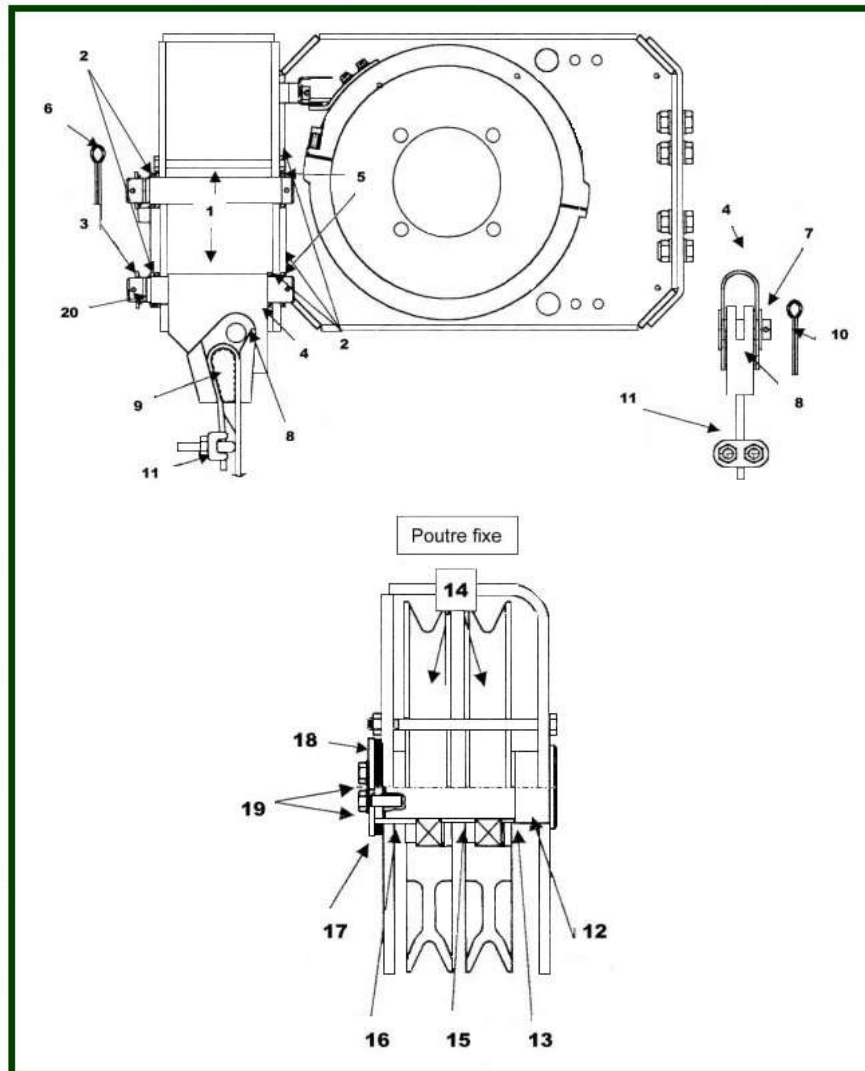
21	<u>8130086</u>	Circlip		1
21	<u>8130085</u>	Circlip		1
22	<u>8130090</u>	Nilos washer	1Am	2
22	<u>8130091</u>	Nilos washer	2/3M	2

11) Rope sheave unit - 4 roped - LHT



item	reference	description	observation	Quantity
1	1132610	Support	2/3M	1
1	1132510	Support	VS2... A & C	1
3	1132527	Key housing		1
4	1132530	Key		1
5	1112515	Anchor point shaft		1
6	7231202C	Washer		3
7	831662	Pin		2
8	1132518	Support Shaft	VS2... A & C	1
9	1132524	Sleeve	VS2... A & C	2
10	8110003	Washer		9
11	1132520	Pulley with bearing	15+30+31	1
11	1132620	Pulley with bearing - Ø 265	15+30+31	1
13	1132606	Pulley Shaft	2/3M - VS404..5/6..R	1
13	1112506	Pulley Shaft		1
15	8130090	Nilos washer	1Am	2
15	8130091	Nilos washer	2/3M	2
16	8130072	Bearing		1
16	8130070	Bearing		1
17	1132503	Sleeve	1Am	2
17	1132603	Sleeve	2/3M	1
18	8130086	Circlip		1
18	8130085	Circlip		1
19	1132609	Locking plate	2/3M	1
19	1112509	Washer		1
20	7333100L	Rope clip - ø 10		1
21	830201	Exterior circlip	C3	2
22	1112534	Rope and support		1
24	1132532	Sleeve		1

12) Return wheel and fixed point assembly + Load limiter VS306

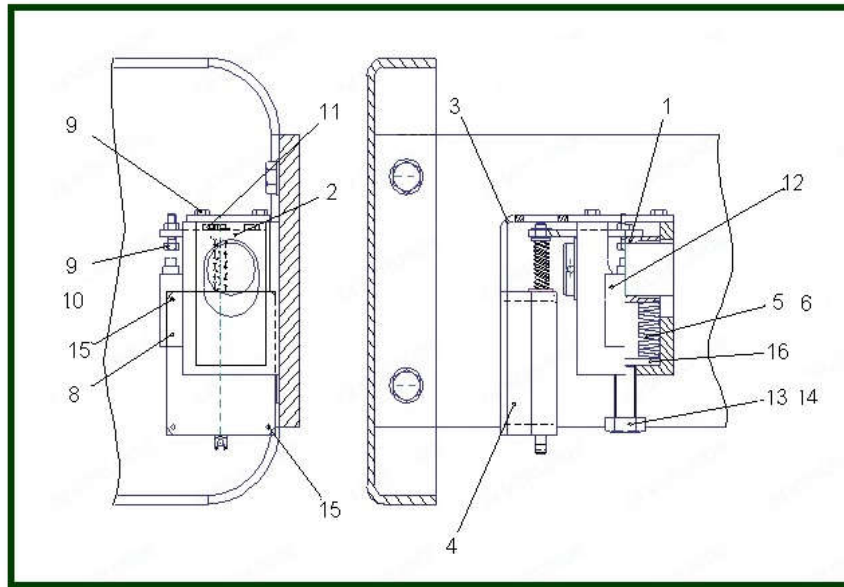


item	reference	description	observation	Quantity
1	V3BAR01B	Load limiter shaft		2
2	3BAR02A	Sleeve		7
3	400763	Washer Ø22		2
4	3SAR03A	Fixed point plate		1
5	400764	Washer Ø28		2
6	7271604T	Split pin 4 x 60		4
7	1112515	Anchor point shaft		1
8	1132527	Key housing		1
9	1132530	Key		1
10	7271635B	Pin 6 x 70		1
11	7333100L	Rope clip - ø 10		1
12	4BAU01A	Pulley Shaft		1
13	4HL007A	Sleeve 52 x 45 x 10		1
14	1132620	Pulley with bearing - Ø 265	15+30+31	2
15	4HL010A	Sleeve 52 x 45 x 25		1
16	3BAU03B	Sleeve 52 x 45 x 30		1

17	<u>8150019</u>	Washer - 68 x 55 x 1	SP55X68X2 DIN988 - VS402...R - 1AM/2M/3M	6
18	<u>V3SAU02A</u>	Fixing plate		1
19	<u>830205</u>	Securing screw for brake bar HM 8 x 25		2
20	<u>Voir/see page 40/41</u>	Load limiter		1
21	<u>8130072</u>	Bearing		2

13) Overload limiter FM-NHT-LHTUP electr. mechanical with or without hall sensor

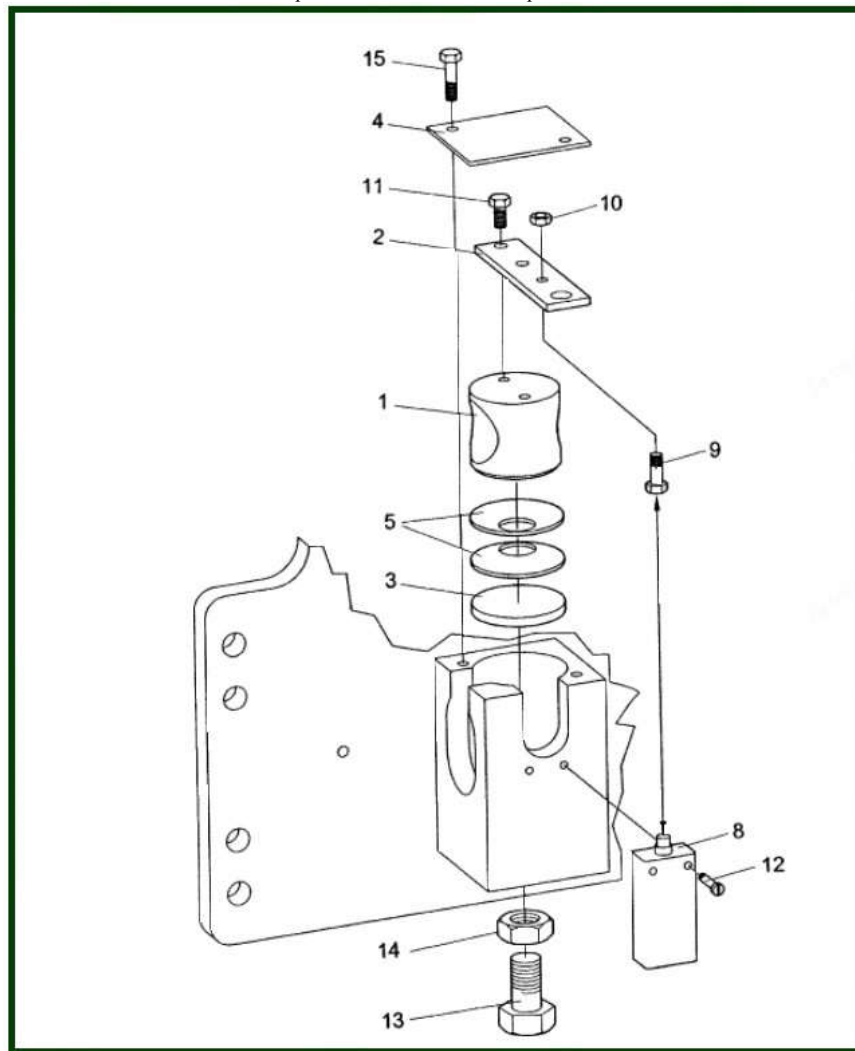
Jusqu'à mars 99 / Up to march 1999



item	reference	description	observation	Quantity
1	1111523	Sleeve		1
2	1111508	Trigger plate		1
2	1111522	Trigger plate	HPR/LHT	1
4	1113547	HALL sensor	HPR/LHT VS306/VS404 2/6 - Jusqu'à mars 99 / To march 99	1
5	180053	Spring washer	Type A	0
5	180052	Spring washer	Type B	1
6	180051	Spring limiteur	Type C	1
6	180050	Spring limiteur	Type D - HPR/LHT	1
7	1115020	Cover	HPR	1
8	8111593	Limit switch		1
9	7211356F	Screw		5
10	831501	Screw M6	Standard	1
11	8110033	Screw		2
12	830930	CHC screw M4x20		0
13	830622	Screw CHC M16x40	Moteur N5	1
14	831574	PAL nut - M16	C1	1
16	1111521	Rondelle fond limiteur		1
17	8110502	Truac ring		0

14) Overload limiter FM-NHT-LHT Electr. mechanical

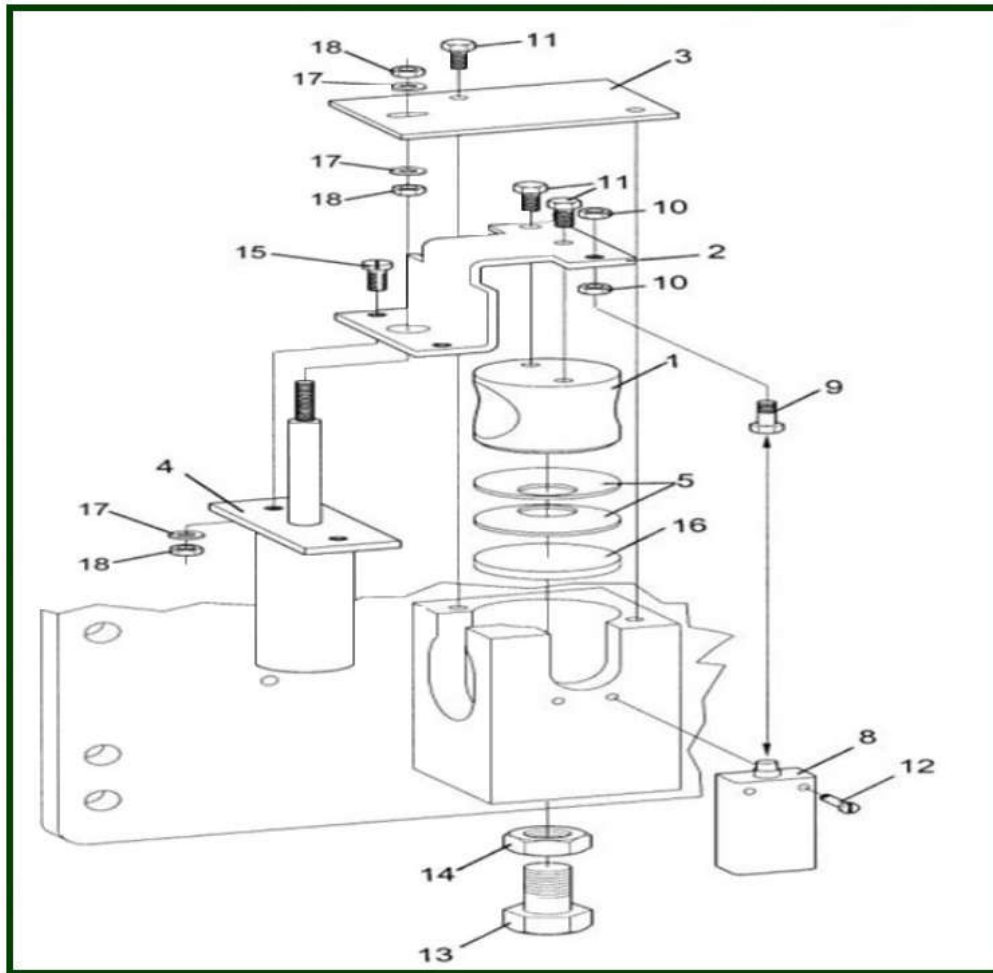
A partir d'avril 1999 / From april 1999



item	reference	description	observation	Quantity
1	1111523	Sleeve		1
2	1111508	Trigger plate		1
3	1111521	Rondelle fond limiteur		1
4	1115020	Cover	HPR	1
5	180051	Spring limiteur	Type C	1
5	180050	Spring limiteur	Type D - HPR/LHT	1
5	180053	Spring washer	Type A	1
5	180052	Spring washer	Type B	1
8	8111593	Limit switch		1
9	7211356F	Screw		0
10	831501	Screw M6	Standard	2
11	8110033	Screw		0
12	830930	CHC screw M4x20		0
13	830622	Screw CHC M16x40	Moteur N5	1
14	831574	PAL nut - M16	C1	0
15	8110033	Screw		4

14.1) Electr. + mechanical and hall sensor

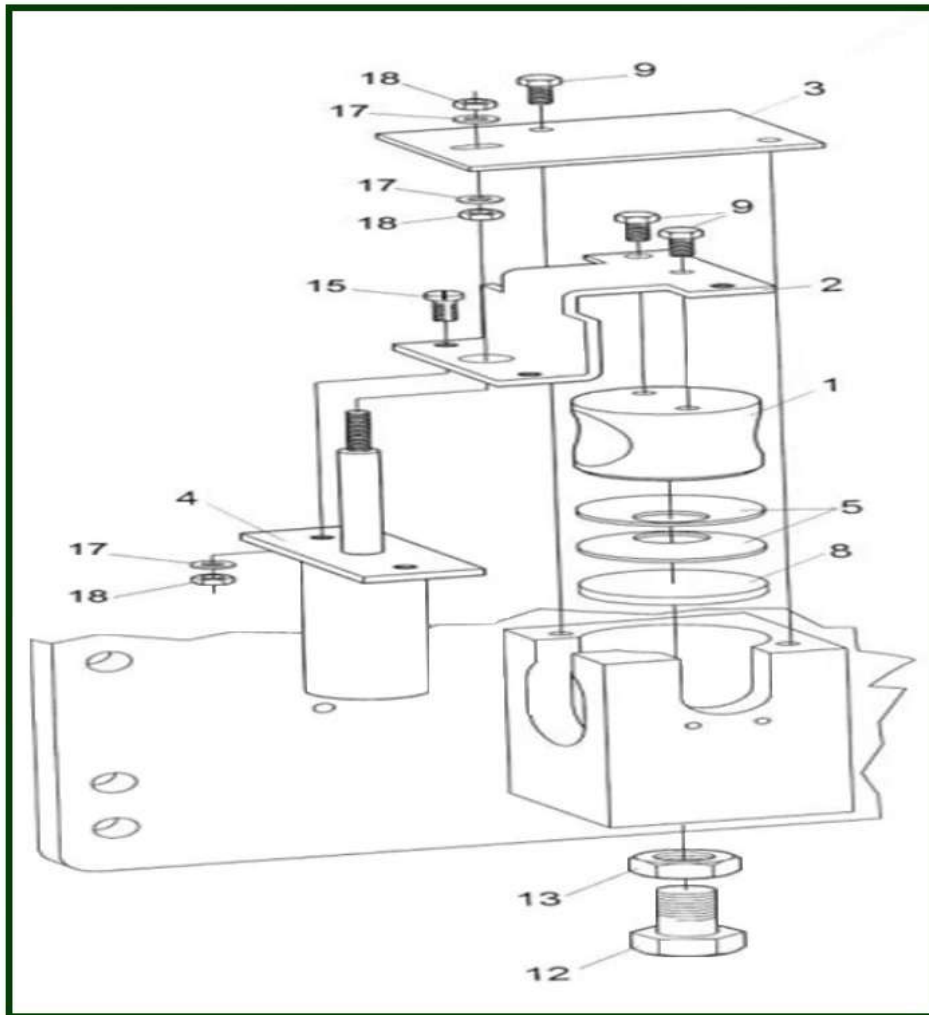
A partir d'avril 1999 / From april 1999



item	reference	description	observation	Quantity
1	1111523	Sleeve		1
2	1111508	Trigger plate		1
3	1111503	Sensor support		1
4	LP2OUFR10	HALL sensor		1
5	180051	Spring limiteur	Type C	1
5	180050	Spring limiteur	Type D - HPR/LHT	1
5	180053	Spring washer	Type A	1
5	180052	Spring washer	Type B	1
8	8111593	Limit switch		1
9	7211356F	Screw		0
10	831501	Screw M6	Standard	2
11	8110033	Screw		4
12	830930	CHC screw M4x20		2
13	830622	Screw CHC M16x40	Moteur N5	1
14	831574	PAL nut - M16	C1	0
16	1111521	Rondelle fond limiteur		1
17	7232040P	Grower washer M4		4
18	7221040C	Nut M4		4

14.2) Hall sensor

A partir d'avril 1999 / From april 1999



item	reference	description	observation	Quantity
1	1111523	Sleeve		0
2	1111508	Trigger plate		0
2	1111522	Trigger plate	HPR/LHT	0
3	1111503	Sensor support		0
3	1113524	Sensor support	HPR/LHT	0
4	LP2OUFR10	HALL sensor		0
4	1113547	HALL sensor	HPR/LHT VS306/VS404 2/6 - Jusqu'à mars 99 / To march 99	0
5	180051	Spring limiteur	Type C	0
5	180050	Spring limiteur	Type D - HPR/LHT	1
5	180053	Spring washer	Type A	0
5	180052	Spring washer	Type B	0
8	1111521	Rondelle fond limiteur		4
9	8110033	Screw		0

15) Spring washer table

VS3 Fixes et HPN / VS3 FM and NHT

Type de palan	Charge kg	Type de ressort	Disposition	Nb.
Type of hoist	Load kg	Type of spring	Position	Pc.
VS 302	2000 (3m)	D	2 x 2 opposées	10
	2500 (2m)	C		
	3200 (1Am)			
VS 304	4000 (3m)	A	1 x 1 opposées	9
	5000 (2m)	C		
	6300 (1Am)		2 x 2 opposées	12

VS3 Fixes et HPN pour réducteur N / VS3 FM and NHT for N type gearbox:

Type de palan	Charge kg	Type de ressort	Disposition	Nb.
Type of hoist	Load kg	Type of spring	Position	Pc.
VS 302	2000 (3m)	C	1 x 1 opposées	9
	2500 (2m)			
	3200 (1Am)	B		
VS 304	4000 (3m)	A	2 x 2 opposées	12
	5000 (2m)	C		
	6300 (1Am)	B		

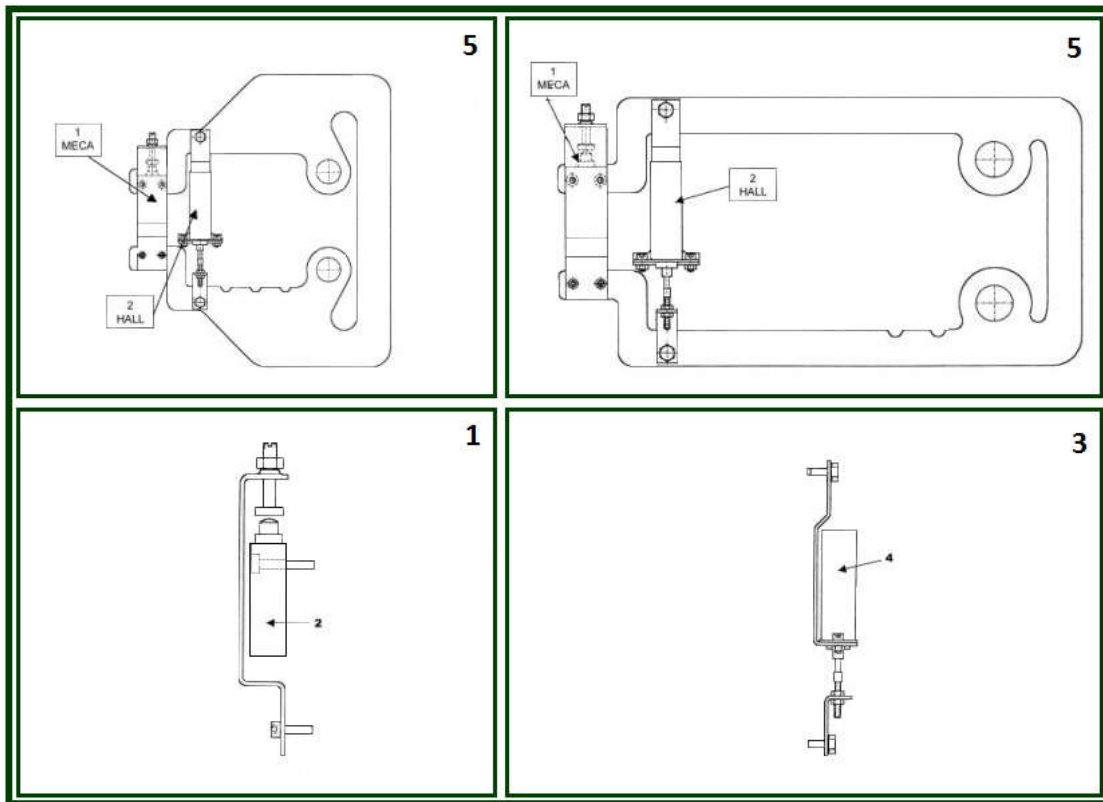
VS3 HPR / VS3 LHT

Type de palan	Charge kg	Type de ressort	Disposition	Nb.
Type of hoist	Load kg	Type of spring	Position	Pc.
VS302	1600	C	1 x 1 opposées	10
	2000 (3m)		2 x 2 opposées	
	2500 (2m)	B	1 x 1 opposées	
	3200 (1Am)			
VS304	3200	A	2 x 2 opposées	12
	4000 (3m)	C		
	5000 (2m)		B	
	6300 (1Am)	9		

VS3 HPR pour réducteur N / VS3 LHT for N type gearbox:

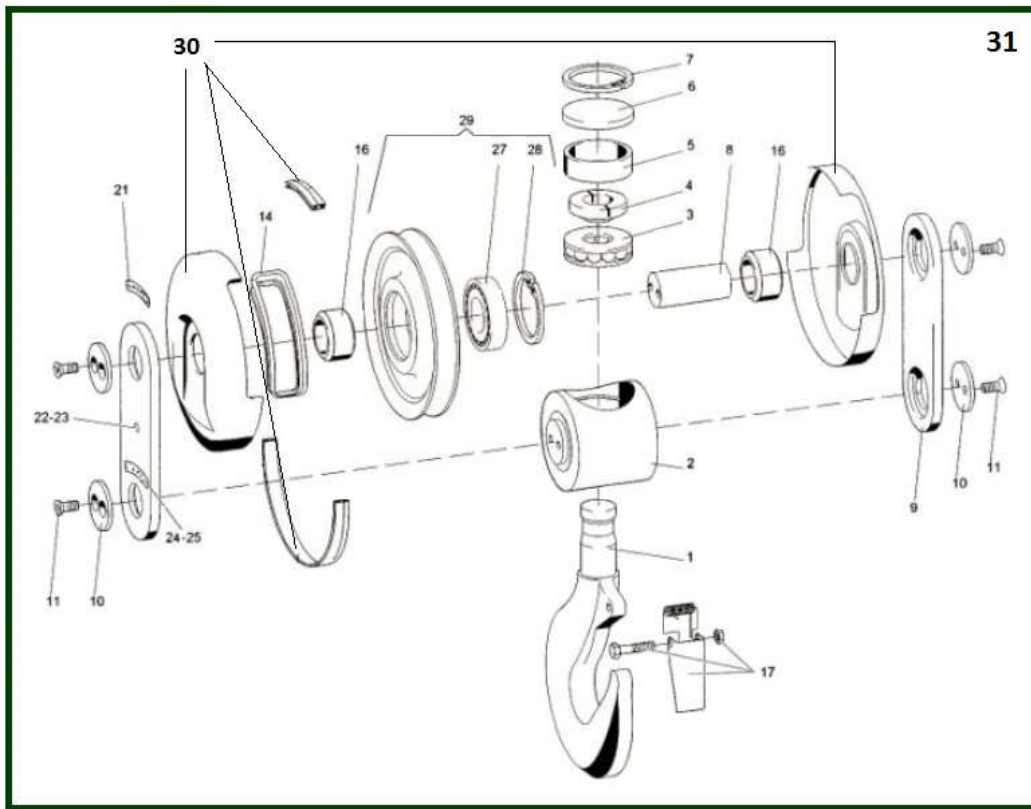
Type de palan	Charge kg	Type de ressort	Disposition	Nb.
Type of hoist	Load kg	Type of spring	Position	Pc.
VS 302	2000 (3m)	B	1 x 1 opposées	9
	2500 (2m)			8
	3200 (1Am)	A		9
VS 304	4000 (3m)	C	2 x 2 opposées	12
	5000 (2m)	B		
	6300 (1Am)			

16) Overload protection for VS306



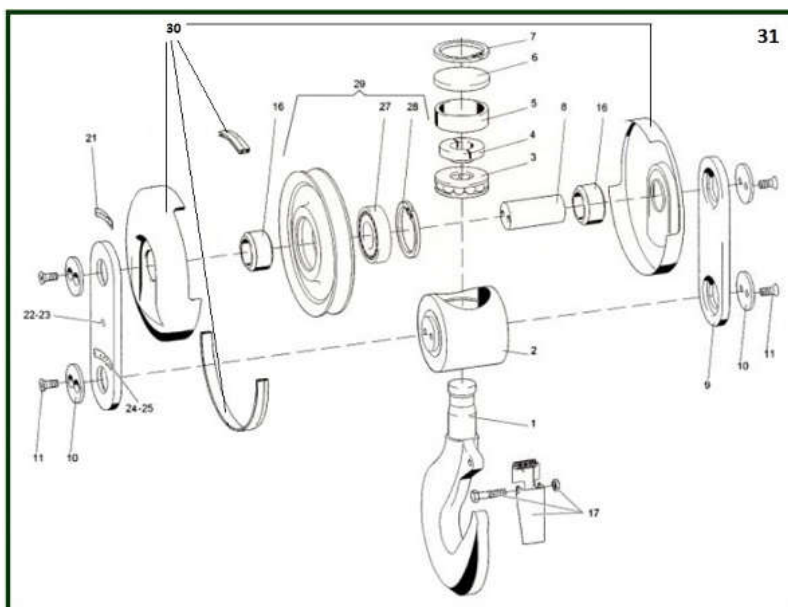
item	reference	description	observation	Quantity
1	1141550	Mechanical sensor set	VS306/VS404/ 2/6	1
2	8111593	Limit switch		1
3	1141520	HALL sensor kit	VS306/VS404/ 2/6	1
4	LP20UFR10	HALL sensor kit		1
5	VYLSH02A	Complete HALL load limiter	Nous consulter / Please consult us	1
	VYLSHM2A	Complete HALL + mechanical load limiter	Nous consulter / Please consult us	1
	VYLSM02A	Mechanical load limiter	Nous consulter / Please consult us	1

17) Lifting hook - 2 roped - 1Am



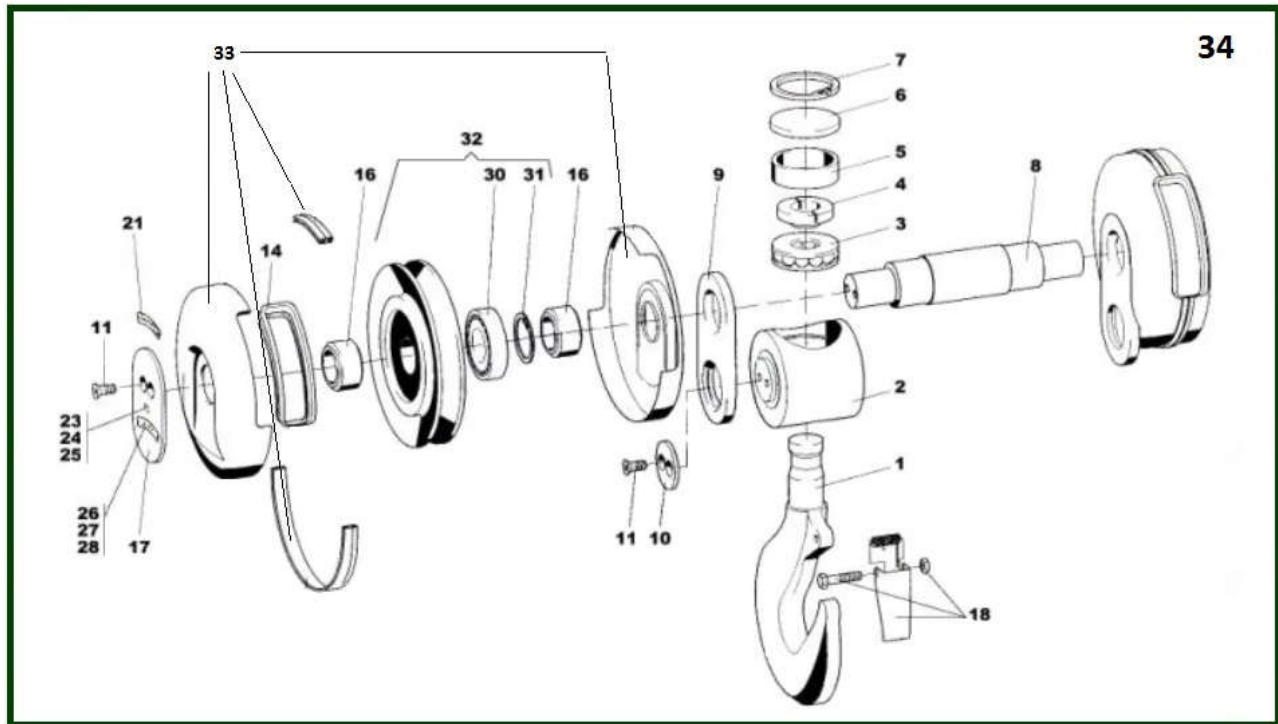
item	reference	description	observation	Quantity
1	1112001	Hook		1
2	1112004	Beam		1
3	7431062S	Thrust bearing		1
4	1112019	Locking parts		1
5	1112018	Safety ring		1
6	1112005	Beam cover		1
7	7261060G	Circlip		1
8	1112012	Pulley shaft		1
9	1132035	Flat bar		2
10	1112016	Plate		4
11	7216403S	Screw		8
14	1132009	Rope shield		2
16	1132031	Bushing		2
17	23233003	Safety latch N°1	RSN08	1
17	52315930	Safety latch plate type	Après / After 06/99	1
21	1112040	Sticklers	« VERLINDE »	2
22	1112051	Sticklers	« FEM 1Am »	2
24	1122064	Sticklers	« 2.5 t »	2
25	1122065	Sticklers	« 3.2 t »	2
27	8130070	Bearing		1
28	8130085	Circlip		1
29	1132520	Pulley with bearing	15+30+31	1
30	1132086	Hook cover kit	Demi-coquilles + Joints profilés / Cover + Sealing profile	1
31	1132000	Complete hook block		1

18) Lifting hook - 2 falls - 2/3M



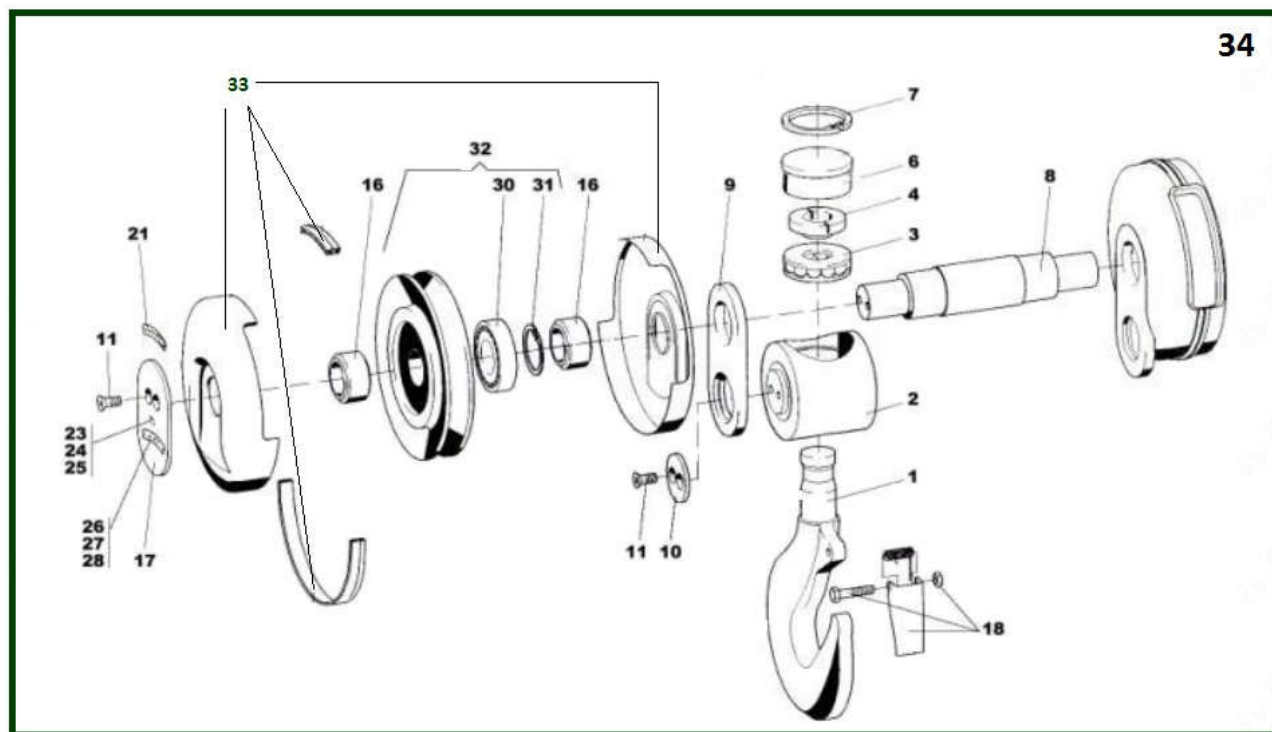
item	reference	description	observation	Quantity
1	1132001	Complete hook block n°2.5		1
2	1122004	Beam		1
3	8130071	Thrust bearing		1
4	1132019	Locking parts		1
5	1132018	Safety ring		1
6	1132005	Beam cover		1
7	7261070T	Circlip		1
8	1132012	Pulley shaft		1
9	1132135	Flat bar		2
10	1112016	Plate		4
11	7216403S	Screw		8
16	1132131	Bushing		2
17	33233003	Safety catch N°2.5		1
17	52315931	Safety catch plate type N°2.5	Après / After 06/99	1
21	1112040	Stickers	« VERLINDE »	2
22	1112052	Stickers	« FEM 2m »	2
23	1112053	Stickers	« FEM 3m »	2
24	1122062	Stickers	« 1.6 t »	2
25	1122063	Stickers	« 2 t »	2
26	1122064	Stickers	« 2.5 t »	2
27	8130072	Bearing		1
28	8130086	Circlip		1
29	1132620	Pulley with bearing - Ø 265	15+30+31	1
30	1132186	Hook cover kit	Demi-coquilles + Joints profilés / Cover + Sealing profile	1
31	1132100	Complete hook block		1

19) Lifting hook - 4 falls - 1 Am



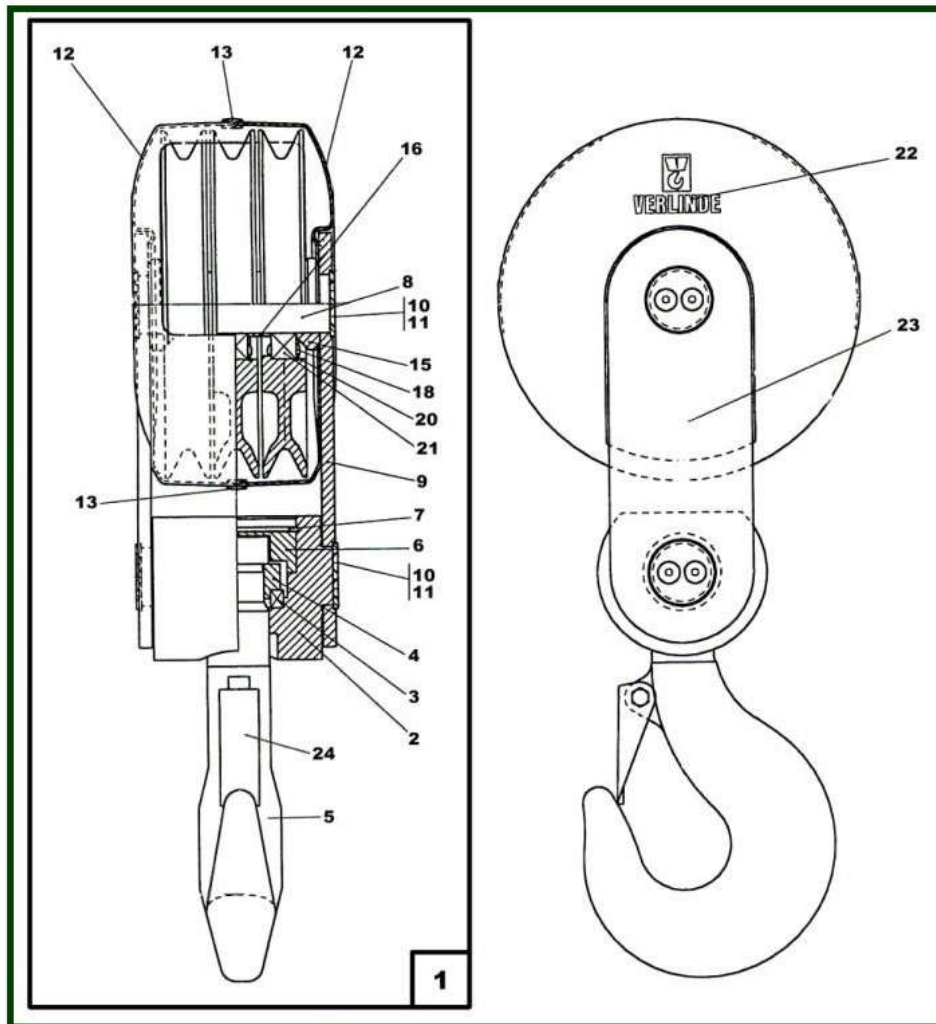
item	reference	description	observation	Quantity
1	1132001	Complete hook block n°2.5		1
2	1122004	Beam		1
3	8130071	Thrust bearing		1
4	1132019	Locking parts		1
5	1132018	Safety ring		1
6	1132005	Beam cover		1
7	7261070T	Circlip		1
8	1132013	Shaft		1
9	1132036	Flat bar		2
10	1112016	Plate		2
11	7216403S	Screw		8
14	1132009	Rope shield		4
16	1132031	Bushing		1
17	1132017	Plate		1
18	33233003	Safety catch N°2.5		1
18	52315931	Safety catch plate type N°2.5	Après / After 06/99	1
21	1112040	Stickers	« VERLINDE »	2
23	1112051	Stickers	« FEM 1Am »	2
24	1112052	Stickers	« FEM 2m »	2
25	1112053	Stickers	« FEM 3m »	2
26	1132071	Stickers	« 5 t »	2
27	1132072	Stickers	« 6.3 t »	2
30	8130070	Bearing		2
31	8130085	Circlip		2
32	1132520	Pulley with bearing	15+30+31	2
33	1132086	Hook cover kit	Demi-coquilles + Joints profilés / Cover + Sealing profile	2
34	1132002	Complete hook block		1

20) Lifting hook - 4 roped - 2/3M



item	reference	description	observation	Quantity
1	1132101	Complete hook RSN4	IAM-2/3AM Crochet + Linguet tôle / Hook + Steel plate safety latch	1
2	1132104	Beam		1
3	8150071	Thrust bearing		1
4	1132119	Locking parts		1
6	1132105	Beam cover		1
7	400080	Retaining ring for bore - Ø 90x3		1
8	1132113	Pulley shaft		1
9	1132136	Flat bar		2
10	1132116	Locking plate		2
11	7216403S	Screw		8
16	1132131	Bushing		2
17	1132117	Plate		2
18	33433003	Safety latch n°4		1
18	52315932	Safety latch plate type n°4	Après / After 06/99	1
21	1112040	Stickers	« VERLINDE »	2
23	1112051	Stickers	« FEM 1Am »	2
24	1112052	Stickers	« FEM 2m »	2
25	1112053	Stickers	« FEM 3m »	2
26	1122065	Stickers	« 3.2 t »	2
27	1122066	Stickers	« 4 t »	2
28	1132071	Stickers	« 5 t »	2
30	8130072	Bearing		2
31	8130086	Circlip		2
32	1132620	Pulley with bearing - Ø 265	15+30+31	2
33	1132186	Hook cover kit	Demi-coquilles + Joints profilés / Cover + Sealing profile	2
34	1132102	Complete hook block		1

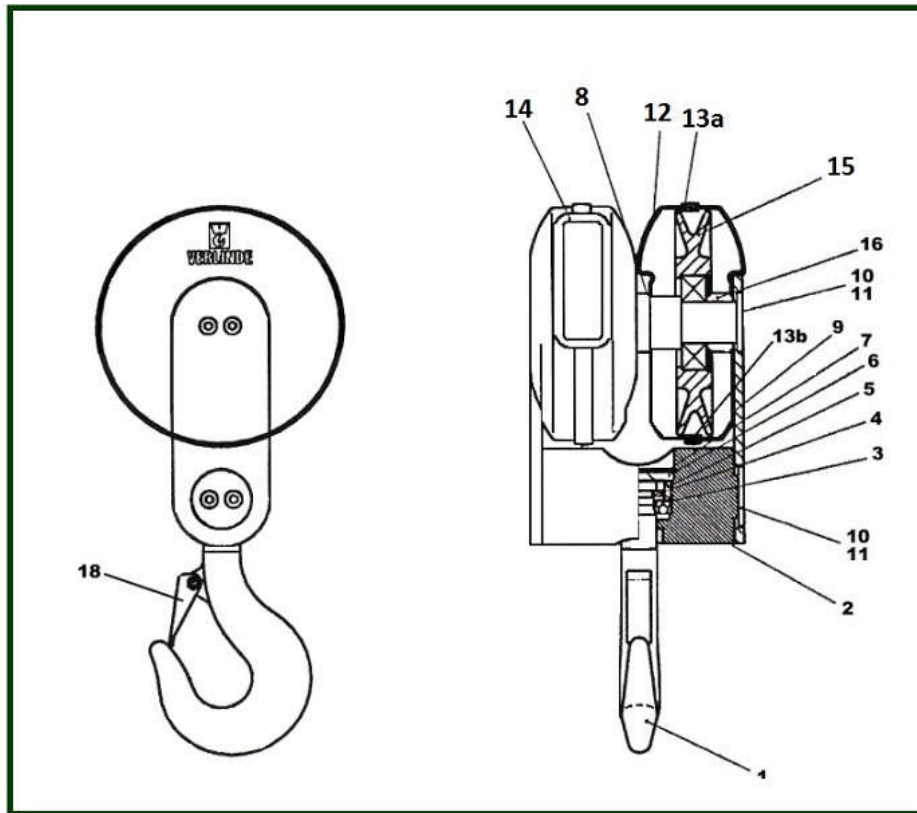
21) Lifting hook - 6 roped



item	reference	description	observation	Quantity
1	V3A6000A	Complete hook block		1
2	V3HA601A	Hook block body		1
3	8150071	Thrust bearing		1
4	1132119	Locking parts		1
5	1132101	Complete hook RSN4	1AM-2/3AM Crochet + Linguet tôle / Hook + Steel plate safety latch	1
6	1132105	Beam cover		1
7	400080	Retaining ring for bore - Ø 90x3		1
8	V3HA602A	Pulley axle		1
9	V3HA603A	Flat bar		2
10	1112016	Plate		1
11	7216403S	Screw		8
12	V3HA641A	Pulley cover with joining part		1
12	V3HA642A	Pulley cover without joining part		1
13	1132107	Seal shell halves	Lg 80	1
13	1132108	Seal shell halves	Lg 347	1
15	V3HA605A	Pulley bush		2
16	V3HA607A	Pulley bush		2

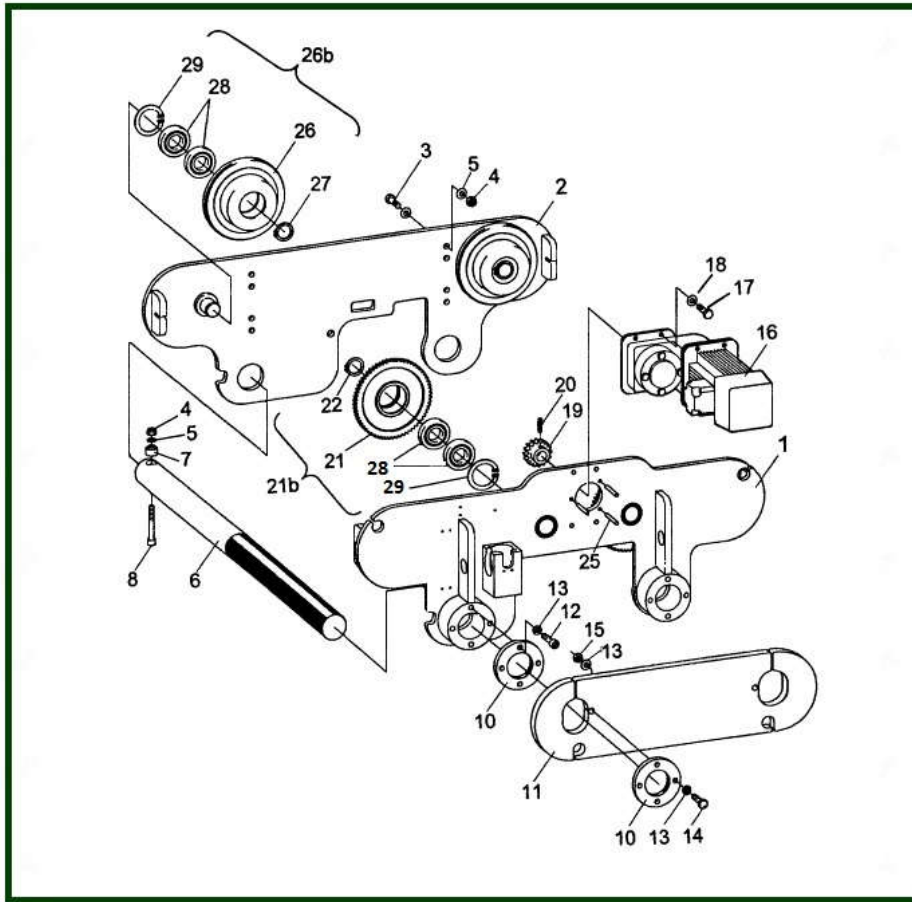
17	<u>85846002</u>	Washer		1
18	<u>7446209F</u>	Ring		6
20	<u>8130086</u>	Circlip		3
21	<u>8130072</u>	Bearing		3
22	<u>1112040</u>	Stickers	« VERLINDE »	2
23	<u>1112051</u>	Stickers	« FEM 1Am »	2
23	<u>1112052</u>	Stickers	« FEM 2m »	2
23	<u>1112053</u>	Stickers	« FEM 3m »	2
24	<u>33433003</u>	Safety latch n°4		1
24	<u>52315932</u>	Safety latch plate type n°4	Après / After 06/99	1
25	<u>1132620</u>	Pulley with bearing - Ø 265	15+30+31	3

22) True vertical lifting hook - 4/2 roped - Cable 7mm



item	reference	description	observation	Quantity
1	1112001	Hook		1
2	VS30207A	Beam		1
3	7431062S	Thrust bearing		1
4	1112019	Locking parts		1
5	1112018	Safety ring		1
6	1112005	Beam cover		1
7	7261060G	Circlip		1
8	VS30208A	Shaft		1
9	1132035	Flat bar		2
11	7216403S	Screw		8
14	1132009	Rope shield		4
15	1122620	Pulley with bearing	2M/3M - Roulement + Circlips intérieur Ø 80 / Bearing + Circlips Ø 80	2
16	1122031	Bushing		2
17	1112016	Plate		2
18	23233003	Safety latch N°1	RSN08	1
18	52315930	Safety latch plate type	Après / After 06/99	1
-	VS30206A	Complete hook block 4/2	VS3042...	1
-	1132086	Hook cover kit	Demi-coquilles + Joints profilés / Cover + Sealing profile	2
-	1112051	Sticklers	« FEM 1Am »	2
-	1112052	Sticklers	« FEM 2m »	2
-	1112053	Sticklers	« FEM 3m »	2
-	1112040	Sticklers	« VERLINDE »	2

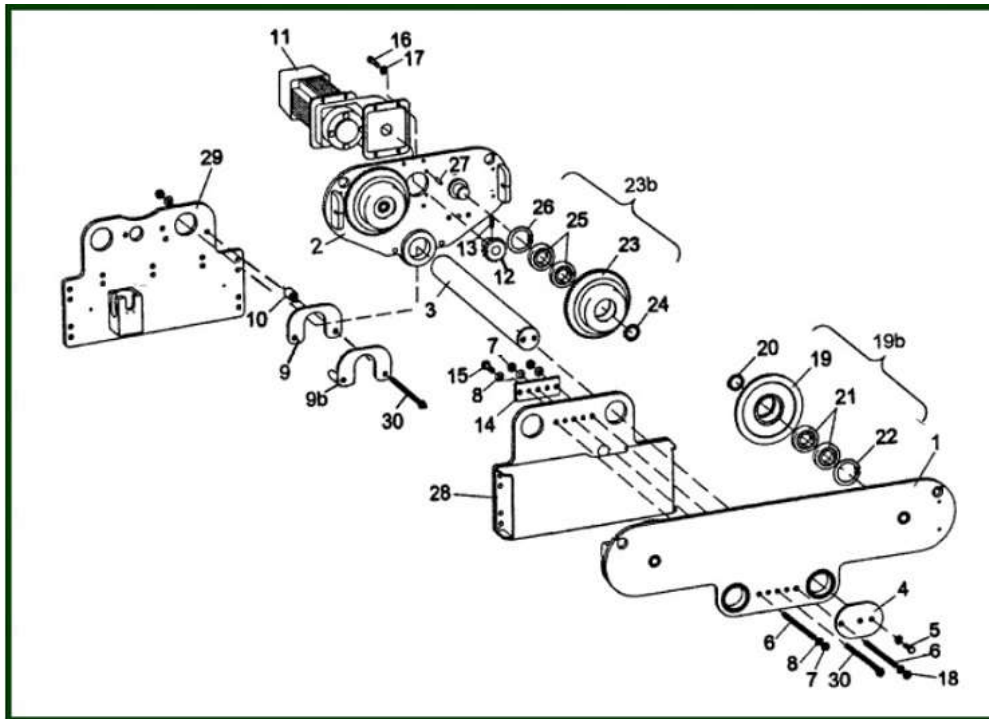
23) Low Headroom Trolley - LHT



item	reference	description	observation	Quantity
1	1133514	Side plate for LHT hoist - Motor side	* XS2-VS2/VS3..R..A	1
1	1133614	Side plate for LHT hoist - Motor side	* XS2-VS2/VS3..R..C	1
2	1133611	Side plate for LHT hoist - Idle side	XS2 - VS202...R..C - VS204...R..C	1
2	1133511	Side plate - LHT	XS2 - VS202...R..A - XS3 - VS302...R..A - VS304...R..A	1
3	8110042	Fixing screw set		4
4	8113533	Durlock Nut		12
5	7231202C	Washer		8
6	1133541	Threaded bar		2
7	1133542	Bushing		4
8	830941	CHC screws 10 x 60	* XS2-VS2... A et C (qty 4) - VS2..R..O (VSX) (qty 2)	4
10	1133543	Tie rod nut		4
11	1133548	Counterweight	* XS2-VS2/VS3..R..A	2
11	1133648	Counterweight	* XS2-VS2/VS3..R..C	2
12	830211	HM screw	PRC2/3	4
13	7232080G	GROWER washer - Ø 8		6
14	7211462W	Screws		2
15	831504	Brake washer AZ M8	VS4...B...D - VS5...D/E	2
16	Voir/see pages 72/75	Travelling motorgear	GS2..RPD+MF07	1
17	8011045	Screws		4
18	7232100D	GROWER washer M10	DIN12 Standard - Frein automatique/Automatic brake	4

19	<u>1113532</u>	Drive wheel - 19 th		1
20	<u>7273458H</u>	Pin		1
21b	<u>1133508</u>	Gear travel wheel	Chariot 1 GMR (2) - Chariot 2 GMR (4) - VB13 - Ø 125mm	1
25	<u>8110059</u>	Dowell		3
26b	<u>1133507</u>	Ungeared wheel	Chariot 1 GMR (2) - Chariot 2 GMR (4) - VB13 - Ø 125mm	1
27	<u>400078</u>	Exterior circlip Ø 35	C2	2
28	<u>8110081</u>	Bearing		4
29	<u>7261072V</u>	Circlip		2
-	<u>15038001</u>	Buffer	Tous types /All types	1
-	<u>1123517</u>	Buffer assy		1
-	<u>1133566</u>	Limit switch set (travel)		1
-	<u>7541312D</u>	Travel limit switch	C1-C2-C3	1

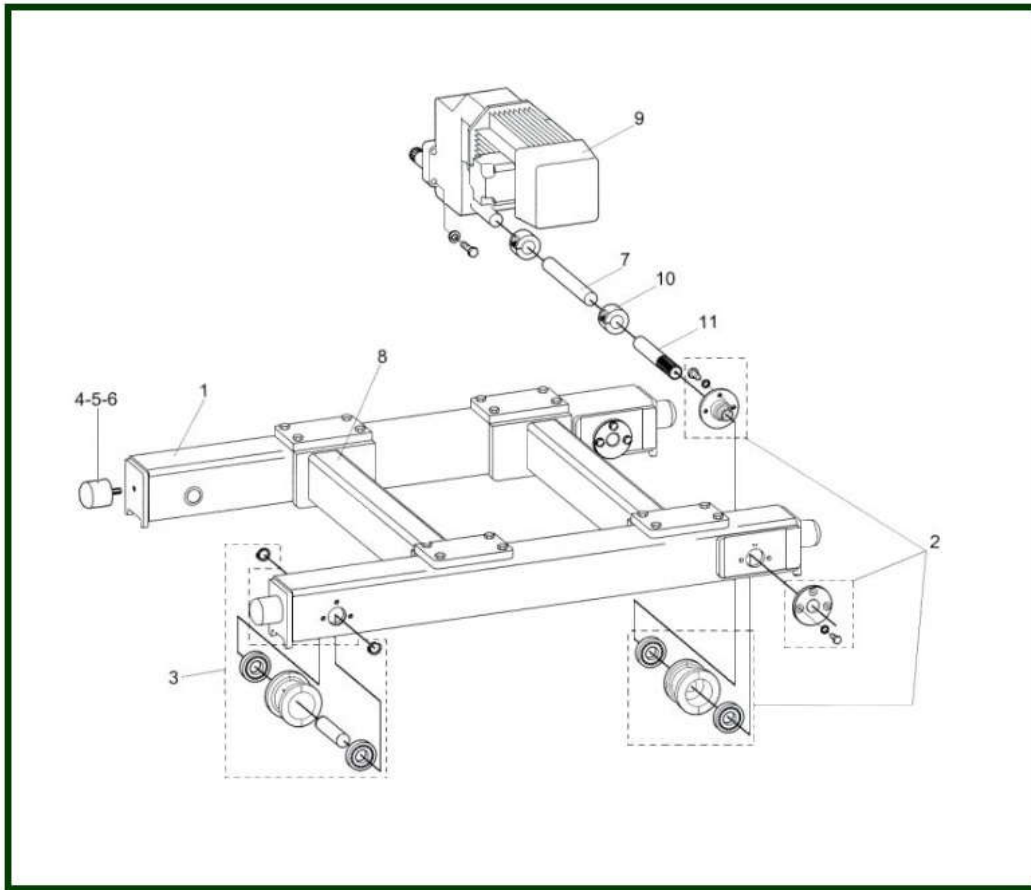
24) Normal Headroom Trolley - NHT



item	reference	description	observation	Quantity
1	1134621	Idle trolley plate	VS2...N..C - VS3...N..C	1
1	1134521	Opposite motor side plate only	VS2/VS3...N..A	1
2	1134531	Side plate		1
3	1134541	Tie rod		2
4	1134544	Locking plate		2
5	830917	Screw CHC 8 x 25	Moteur N3 - Vis à coller / Screw paste	4
6	1114503	Threaded bar		2
8	7231122R	Washer MU12		18
9	1134545	Locking plate		1
9b	1134547	Locking plate+bushing		1
10	1134511	Bushing		2
11	Voir/see pages 72/75	Travelling motorgear	GS2..RPD+MF07	1
12	1113532	Drive wheel - 19 th		1
13	7273458H	Pin		1
14	1134502	Clamping date		1
15	830407	Screw		2
16	8011550	Screw		4
17	7232100D	GROWER washer M10	DIN12 Standard - Frein automatique/Automatic brake	8
18	831594	NYLSTOP nut - M12 - DIN985	PRC1	5
19b	1133507	Ungeared wheel	Chariot 1 GMR (2) - Chariot 2 GMR (4) - VB13 - Ø 125mm	1
23b	1133508	Geared travel wheel	Chariot 1 GMR (2) - Chariot 2 GMR (4) - VB13 - Ø 125mm	1
24	400078	Exterior circlip Ø 35	C2	2
25	8110081	Bearing		4
26	7261072V	Circlip		2
27	8110059	Dowell		3
28	1134614	Side plate NHT	XS2-VS202...N..C - VS204...N..C	1

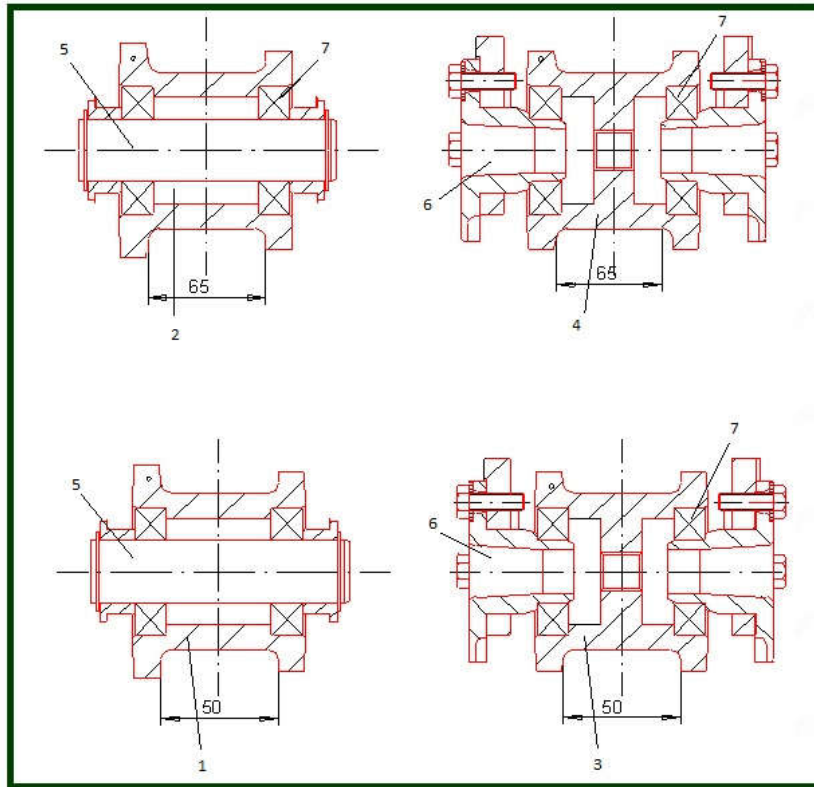
28	<u>1134514</u>	Side plate - NHT	VS2 N A - VS302...N..A VS304...N..A	1
29	<u>1134515</u>	Side plate - NHT	XS2 - VS2...N..A - XS3 - VS3...N..A	1
29	<u>1134615</u>	Welded side plate	XS2-VS2...N...C	1
30	<u>1114504</u>	Threaded bar		3
-	<u>1114525</u>	Limit switch assy (travel)		1
-	<u>7541312D</u>	Travel limit switch	C1-C2-C3	1

25) Birail trolley



item	reference	description	observation	Quantity
1	NCSVP9	End carriage VP09	VS302..F	2
1	NCSVP11	End carriage VP11	VS304..F	2
2	15503001	Driving wheel set - ø 90 - G50	VS302..F - VS402 A partir / Since 1999	2
2	15503005	Driving wheel set - ø 90 - G65	VS302..F - VS402 A partir / Since 1999	2
2	15803001	Driving wheel set - ø 110 - G50	VP11 - VS304..F - VS402	2
2	15803005	Driving wheel set - ø 110 - G65	VP11 - VS304..F - VS402	2
3	15503006	Travel wheel set ø 90 - G65	VS202/VP9 - VS302..F - VS402 A partir / Since 1999	2
3	15503003	Travel wheel set - ø 90 - G50	VS202/VP9 - VS302..F - VS402 A partir / Since 1999	2
3	15803003	Travel wheel set - ø 110 - G50	VS402 / VP11 - VS204	2
3	15803006	Travel wheel set - ø 110 - G65	VS402 / VP11 - VS204	2
7	NCA	Spline shaft		1
8	NCT	Beam set		2
9	See travelling motorgear	Travelling motorgear	GS2..RPD+MF07	1
10	1137231	Coupling	VS402< 25mn	2
11	1137230	Splined shaft	VS402< 25mn	1
4 5 6	15503007	Buffer set		4

26) Wheel set VP09 and VP11



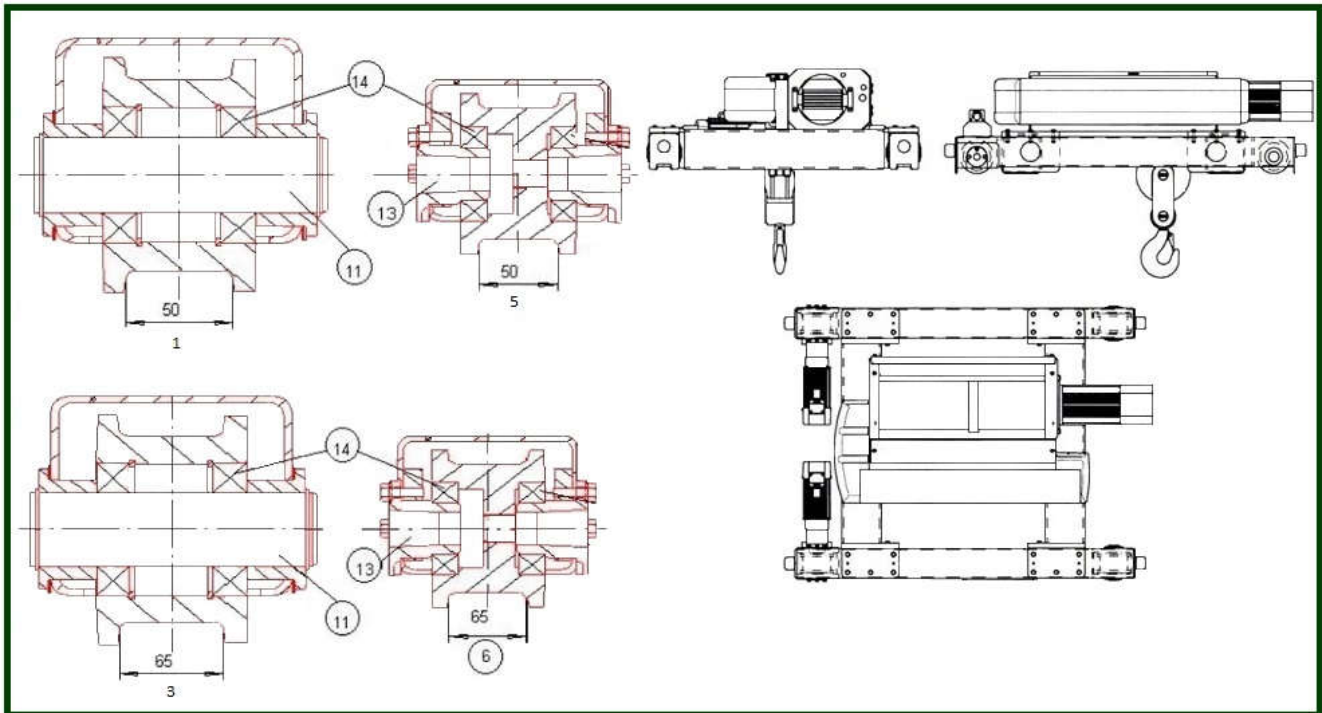
26.1) VP09 wheel set

item	reference	description	observation	Quantity
1	<u>15503003</u>	Travel wheel set - ø 90 - G50	VS202/VP9 - VS302..F - VS402 A partir / Since 1999	1
2	<u>15503006</u>	Travel wheel set ø 90 - G65	VS202/VP9 - VS302..F - VS402 A partir / Since 1999	1
3	<u>15503001</u>	Driving wheel set - ø 90 -G50	VS302..F - VS402 A partir / Since 1999	1
4	<u>15503005</u>	Driving wheel set - ø 90 - G65	VS302..F - VS402 A partir / Since 1999	1
5	<u>15503004</u>	Complete shaft travel wheel	VP9	1
6	<u>15503002</u>	Bearling-flange set	VP9-VS302	1
7	<u>7412072A</u>	Complete bearing	VP9-VS302	2

26.2) VP11 wheel set

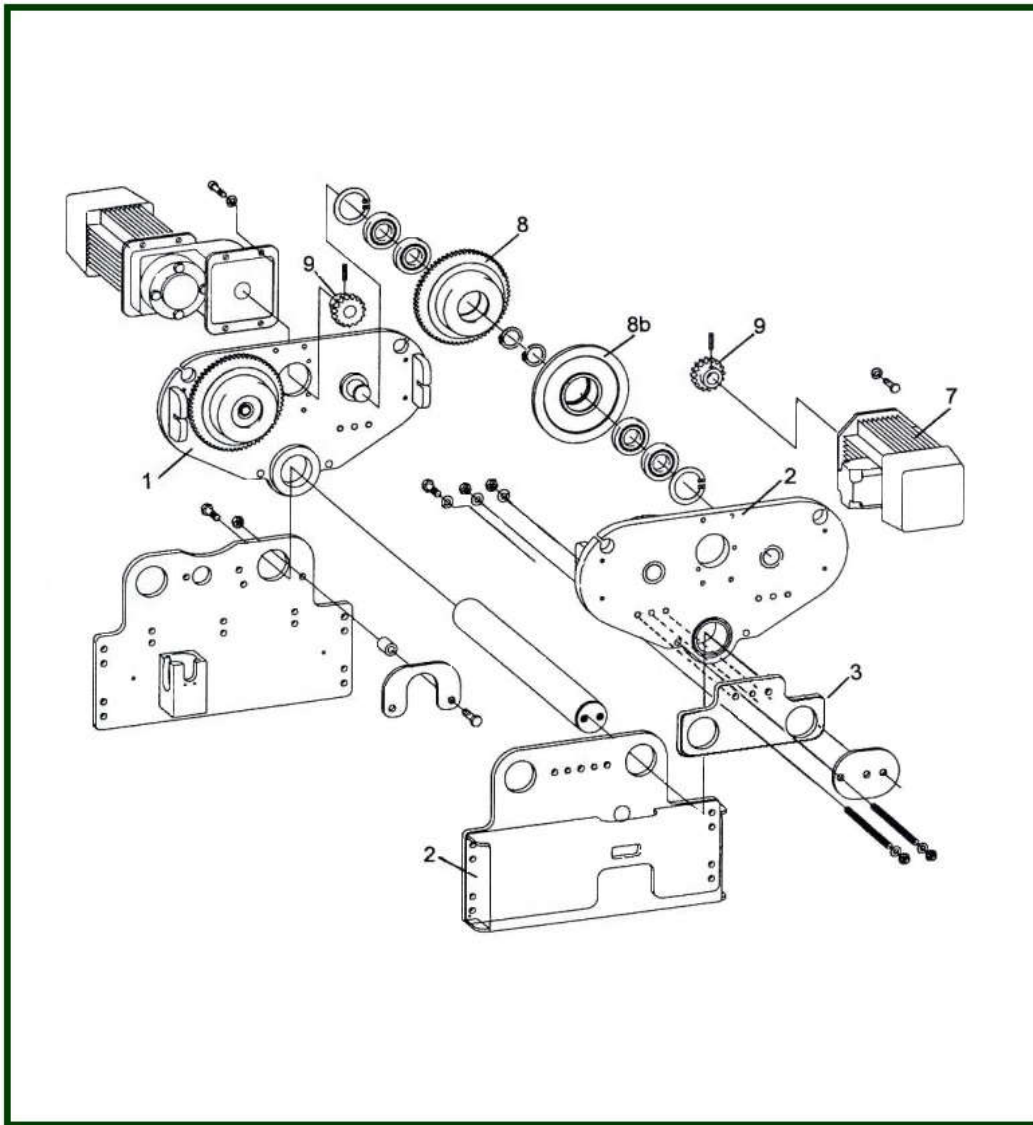
item	reference	description	observation	Quantity
1	<u>15803003</u>	Travel wheel set - ø 110 - G50	VS402 / VP11 - VS204	1
2	<u>15803006</u>	Travel wheel set - ø 110 - G65	VS402 / VP11 - VS204	1
3	<u>15803001</u>	Driving wheel set - ø 110 - G50	VP11 - VS304..F - VS402	1
4	<u>15803005</u>	Driving wheel set - ø 110 - G65	VP11 - VS304..F - VS402	1
5	<u>15803004</u>	Shaft travel wheel	VP11 - VS304 - VS402	1
6	<u>15803002</u>	Bearling-flangeset	VP11 - VS304 - VS402	1
7	<u>7413082Y</u>	Bearing	VP11 - VS304	2

27) Birail trolley for VS306



item	reference	description	observation	Quantity
1	25803003	Travel wheel set - ø 140 - G50	VS404 / VP14 VS502 VS504 < 16T	1
3	25803006	Travel wheel set - ø 140 - G65	VS404 / VP14 VS502 VS504 < 16T	1
5	25803001	Driving wheel set - ø 140 - G50	VS404 / VP14 - VS502 VS504 < 16T	1
6	25803005	Driving wheel set - ø 140 - G65	VS404 / VP14 - VS502 VS504 < 16T	1
11	25803007	Shaft travel wheel	VP14 - VS404 - VS502 - VS504 < 16T	1
13	25803002	Bearing flange set	VP14 - VS404 - VS502 - VS504 < 16T	1
14	7412112U	Bearing compl.	VP14 - VS404 - VS502 - VS504 < 16T	1

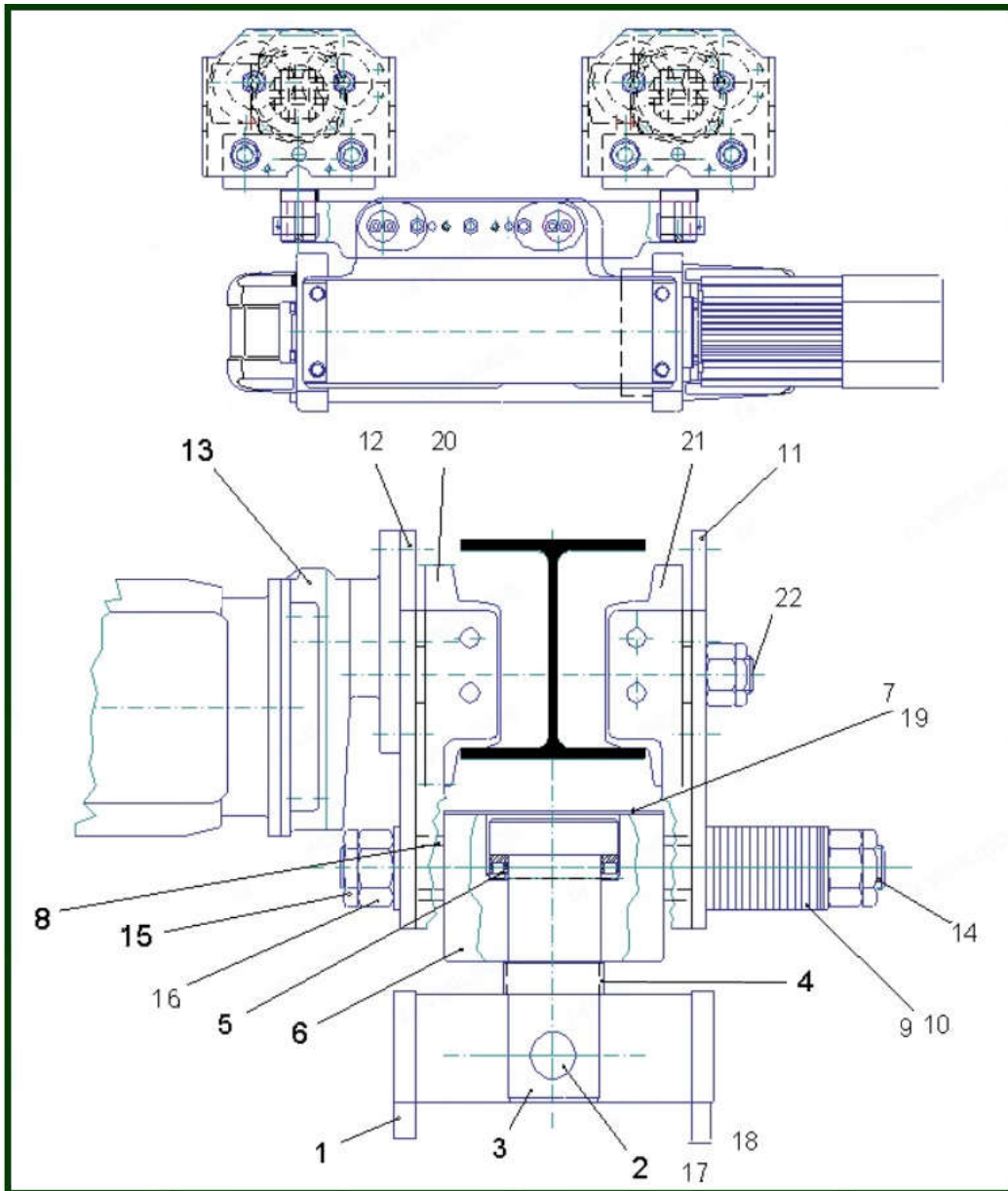
28) Compact Normal Headroom Trolley



item	reference	description	observation	Quantity
1 & 2	1134531	Side plate		1
3	V2RAB06A	Non pivoting plate		2
7	NCVP14	Travelling motorgear	GS2..RPC+MF07 > 20 m/min	1
8	1133508	Geared travel wheel	Chariot 1 GMR (2) - Chariot 2 GMR (4) - VB13 - Ø 125mm	2
8b	1133507	Ungeared wheel	Chariot 1 GMR (2) - Chariot 2 GMR (4) - VB13 - Ø 125mm	2
9	1113532	Drive wheel - 19 th		1

29) Boggie type trolley (NHT)

VS301.1...A et C - VS302.1...A et C - VS304.2... A et C

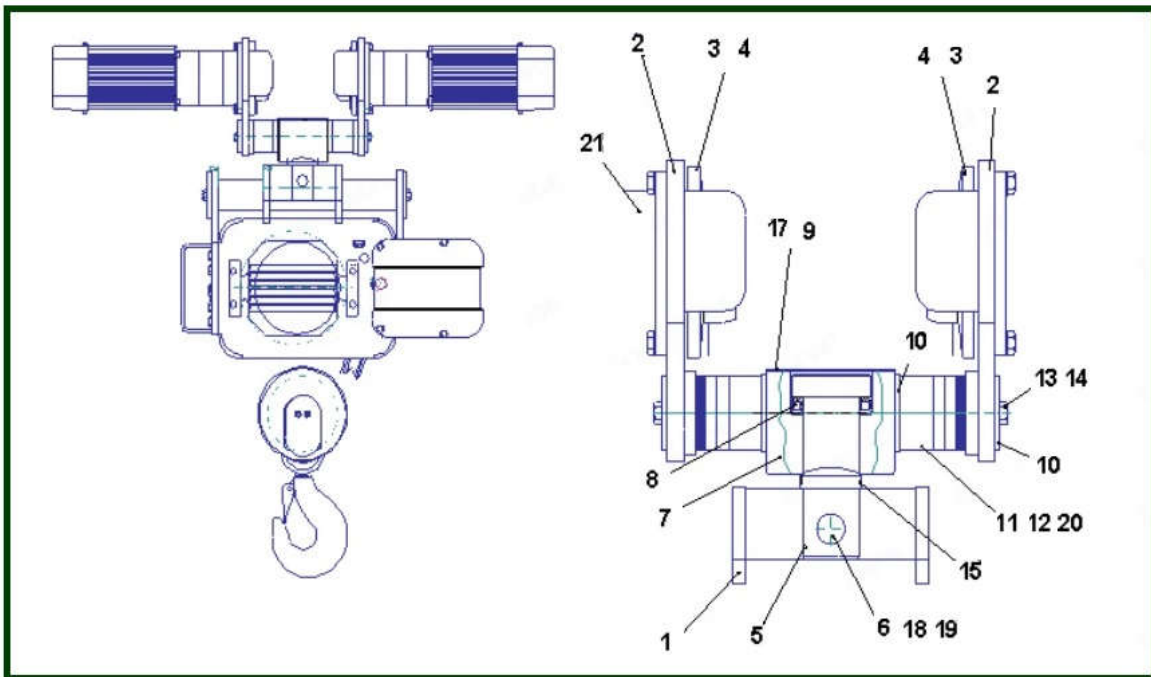


item	reference	description	observation	Quantity
1	V2RAB02A	Beam		1
2	1143515	Pivot shaft		2
3	1139002	Pivoting shaft		2
4	V1RAB21A	Stabilizing washer		2
5	V1RAB22A	Swivel pin square		2
6	51110	Thrust ball bearing		2
7	1139005	Cover		2
8	558968	Spacer tube	C2 - Court/Short & Long	8
9	832112	Washers M24 - 4mm	C2	124
11	558910	Side plate (free) modul		2
12	558911	Side plate (drive) motor		2
13	558986	Gearmotor LS71 11/3 m/mn - 0,12/0.03KW	C1-C2-C3 Plus fourni / Not supplied anymore	2

13	<u>558985</u>	Gearmotor LS71 20/5 m/mn - 0,25/0,06KW	C2-C3 Plus fourni / Not supplied anymore	2
14	<u>558963</u>	Tie rod - 260 mm	C2	4
14	<u>558964</u>	Tie rod - 325 mm	C2	4
14	<u>558965</u>	Tie rod - 390 mm	C2	4
15	<u>831576</u>	PAL nut M24	C2	8
16	<u>831540</u>	Nut H M24	CE - XB	8
17	<u>8150095</u>	Split pin		4
18	<u>832113</u>	Washers M24 - 2mm	C2	4
19	<u>7211151H</u>	Screw		8
20	<u>558919</u>	Driving wheel without shaft	C2 - Ø 80x120 mm	4
21	<u>558918</u>	Ungeared wheel	C2 - Ø 80x120 mm	4
22	<u>558915</u>	Wheel shaft	C2 - Jusqu'en 1999 / until 1999	8
23	<u>1144505</u>	Bar	Lg 250	3
24	<u>8113532</u>	M12 nut		12

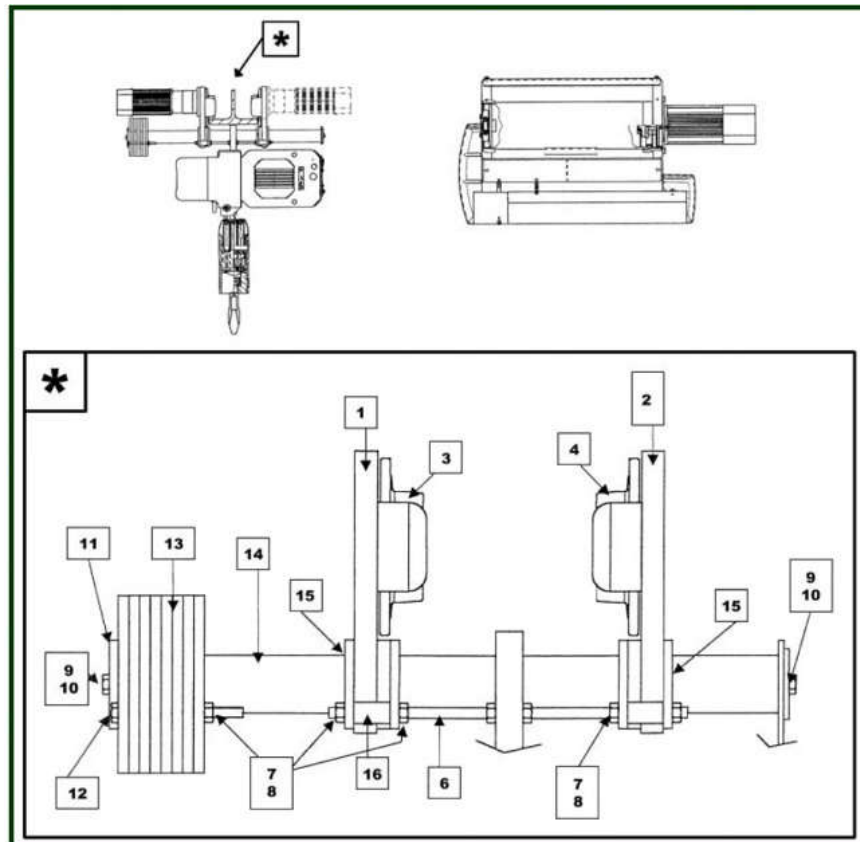
30) Boggie type trolley NHT

VS304.1...A et C



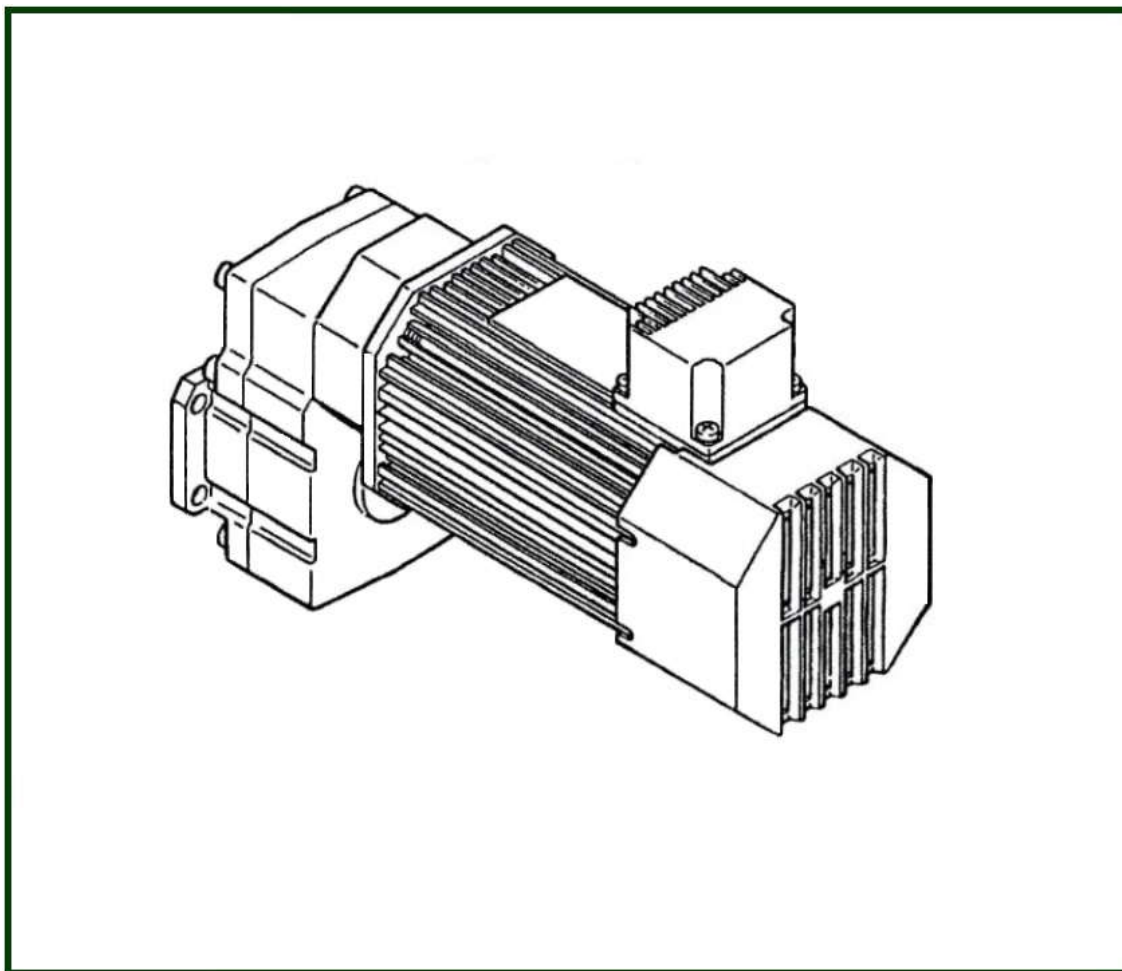
item	reference	description	observation	Quantity
1	V2RAB02A	Beam		1
2	1114531	Motor side plate		2
3	1113508	Driving wheel set - Ø 100	VB10D:100mm - VB10D - VS2..R..O (VSX) 2 roulements + 1 circlip + 1 galet moteur 2 Bearings + 1 circlip + 1 geared wheel	4
4	1113507	Idle wheel set - Ø 100	VB10D:100mm - VB10D - VS2..R..O (VSX) 2 roulements + 1 circlip + 1 galet porteur 2 Bearings + 1 circlip + 1 geared wheel	4
5	1139002	Pivoting shaft		2
6	1143515	Pivot shaft		2
7	1139003	Pivot tie rod		2
8	51110	Thrust ball bearing		2
9	1139005	Cover		2
10	1139006	End washer		4
11	1139108	Sleeve - th. 30		4
12	1139007	Adjustement sleeve		40
13	830205	Securing screw for brake bar HM 8 x 25		8
14	7232081H	Washer		8
15	V1RAB17A	Stabilizing washer		2
16	1139008	Sleeve - th. 10		8
17	7211151H	Screw		8
18	8150095	Split pin		4
19	832113	Washers M24 - 2mm	C2	4
20	V1RAB07A	Washer	Ep. / Th. 4	4
21	Voir/see pages 72/75	Travelling motorgear	GS2..RPD+MF07	2

31) Normal Headroom Trolley - NHT for VS306



item	reference	description	observation	Quantity
1	1134531	Side plate		2
2	1134521	Opposite motor side plate only	VS2/VS3...N..A	2
3	1133508	Geared travel wheel	Chariot 1 GMR (2) - Chariot 2 GMR (4) - VB13 - Ø 125mm	4
4	1133507	Ung geared wheel	Chariot 1 GMR (2) - Chariot 2 GMR (4) - VB13 - Ø 125mm	4
5	1113532	Drive wheel - 19 th		1
6	N.C.	End carriage	VS402 / VP11 - VS404 / VP14 - VS502 VS504 < 16T	4
7	7232120A	Grover washer (12)	D & DA & RD	28
8	8113532	M12 nut		28
9	830425	HM screw 12 x 30		4
10	7231122R	Washer MU12		4
11	V3NA013A	Locking plate		2
12	7211628F	HM screw 12 x 140		2
13	V3NB603A	Counter weight	*	1
14	V3NB602A	Tie rode	*	2
15	1134545	Locking plate		8
16	1134511	Bushing		8

32) Motorgearboxes for NHT and LHT monorail hoist



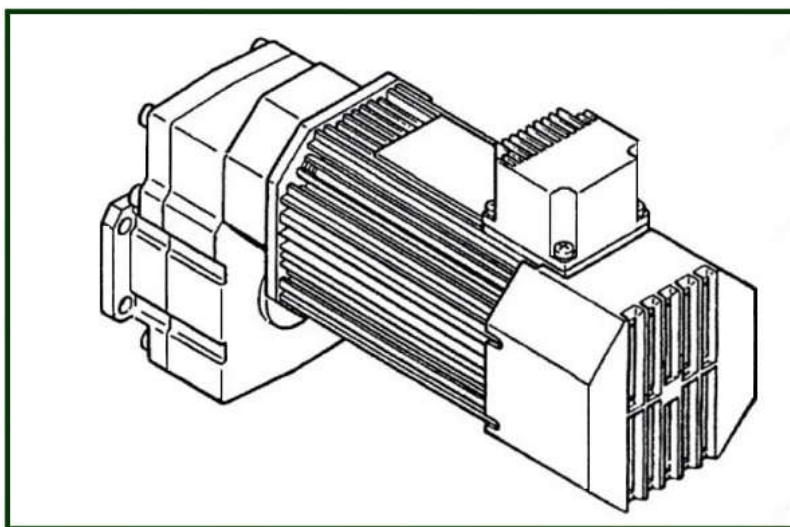
32.1) Before april 1999

item	reference	description	observation	Quantity
	<u>1117504</u>	Gearbox GS315RPC	Vitesse / Speed 20/5	1
	<u>1117507</u>	Gearbox GS332RPC	Vitesse / Speed 10/2,5	1
	<u>25808104</u>	Travelling motor MF07LA14 3000/750 - 415V/50Hz - W415V - 0,25/0,06KW	Prise Wieland avant avril 1999 Wieland plug before april 1999 GS315RPC : VS304<5T & VS306	1
	<u>25808102</u>	Travelling motor MF07LA104 3000/750 - 220V/50Hz - 0,25/0,06KW	Prise Wieland avant avril 1999 Wieland plug before april 1999 GS315RPC : VS304<5T & VS306	1
	<u>25808103</u>	Travelling motor MF07LA104 3000/750 - 380V/50Hz - 0,25/0,06KW	Prise Wieland avant avril 1999 Wieland plug before april 1999 GS315RPC : VS304<5T & VS306	1
	<u>25808302</u>	Travelling motor MF07LB104 3000-750t/mn - 220V/50Hz - 0.45/0.11Kw	Prise Wieland avant avril 1999 Wieland plug before april 1999 GS332RPC : VS306 - GS315RPC : VS306 6,3T	2
	<u>25808303</u>	Travelling motor MF07LB104 3000-750t/mn - 380-400V/50Hz - 0.45/0.11KW	Prise Wieland avant avril 1999 Wieland plug before april 1999 GS332RPC : VS306 - GS315RPC : VS306 6,3T	2
	<u>25808304</u>	Travelling motor MF07LB104 3000-750t/mn - 415V/50Hz - 0.45/0.11KW	Prise Wieland avant avril 1999 Wieland plug before april 1999 GS332RPC : VS306 - GS315RPC : VS306 6,3T	2
-	<u>1113532</u>	Drive wheel - 19 th		1
-	<u>7273458H</u>	Pin		1

32.2) After april 1999

item	reference	description	observation	Quantity
	<u>1117510</u>	Gearbox GS115RPC	Vitesse / Speed 20/5 Après avril 1999 / After april 1999	1
	<u>1117504</u>	Gearbox GS315RPC	Vitesse / Speed 20/5	1
	<u>1117507</u>	Gearbox GS332RPC	Vitesse / Speed 10/2,5	1
	<u>25808104P</u>	Travelling motor MF07LA14 3000/750 - 415V/50Hz - W415V - 0,25/0,06KW	Prise plastique après avril 1999 Plastic plug after april 1999	1
	<u>25808102P</u>	Travelling motor MF07LA104 3000/750 - 220V/50Hz - 0,25/0,06KW	Prise plastique après avril 1999 Plastic plug after april 1999 GS315RPC : VS304<5T & VS306	1
	<u>25808103P</u>	Travelling motor MF07LA104 3000/750 - 380V/50Hz - 0,25/0,06KW	Prise plastique après avril 1999 Plastic plug after april 1999 GS315RPC : VS304<5T & VS306	1
	<u>25808302P</u>	Travelling motor MF07LB104 3000-750t/mn - 220V/50Hz - 0.45/0.11KW	Prise plastique après avril 1999 Plastic plug after april 1999 GS332RPC : VS306 - GS315RPC : VS306 6,3T	1
	<u>25808303P</u>	Travelling motor MF07LB104 3000-750t/mn - 380-400V/50Hz - 0.45/0.11KW	Prise plastique après avril 1999 Plastic plug after april 1999 GS332RPC : VS306 - GS315RPC : VS306 6,3T	1
	<u>25808304P</u>	Travelling motor MF07LB104 3000-750t/mn - 415V/50Hz - 0.45/0.11KW	Prise plastique après avril 1999 Plastic plug after april 1999 GS332RPC : VS306 - GS315RPC : VS306 6,3T	1
	<u>25808112</u>	Travelling motor MF07S104 3000-750t/mn - 0.20/0.05kw - 230V/50Hz	Prise plastique après avril 1999 Plastic plug after april 1999 VS302	1
	<u>25808113</u>	Travelling motor MF07S104 3000-750t/mn - 0.20/0.05kw - 400v/50Hz	Prise plastique après avril 1999 Plastic plug after april 1999 VS302	1
-	<u>1113532</u>	Drive wheel - 19 th		1
-	<u>7273458H</u>	Pin		1

33) Motorgearbox for birail hoist

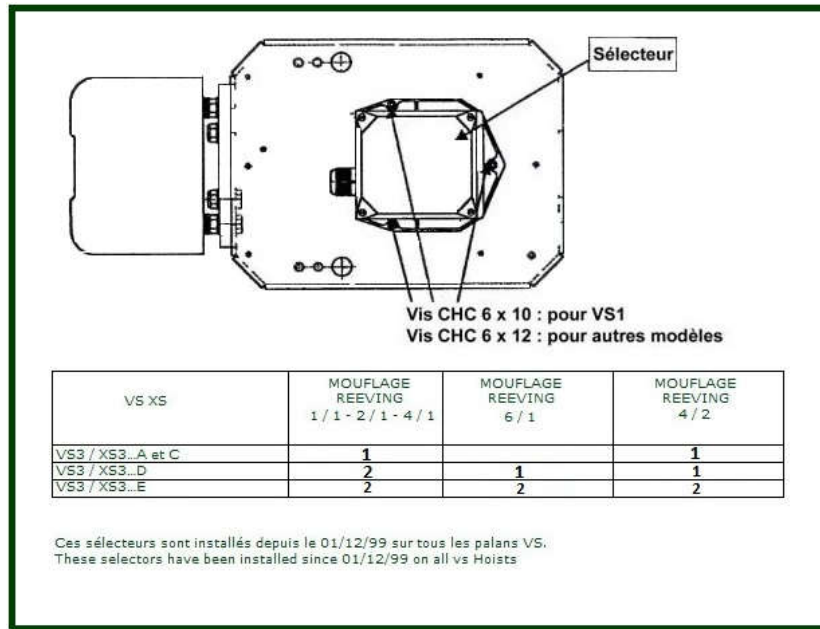


item	reference	description	observation	Quantity
1	<u>1147202</u>	Gear GS 240 RPD		1
2	<u>25883020</u>	Gear GS 363 RFB		1
3	<u>25808102</u>	Travelling motor MF07LA104 3000/750 - 220V/50Hz - 0,25/0,06KW	Prise Wieland avant avril 1999 Wieland plug before april 1999 GS315RPC : VS304<5T & VS306	1
4	<u>25808103</u>	Travelling motor MF07LA104 3000/750 - 380V/50Hz - 0,25/0,06KW	Prise Wieland avant avril 1999 Wieland plug before april 1999 GS315RPC : VS304<5T & VS306	1
5	<u>25808104</u>	Travelling motor MF07LA14 3000/750 - 415V/50Hz - W415V - 0,25/0,06KW	Prise Wieland avant avril 1999 Wieland plug before april 1999 GS315RPC : VS304<5T & VS306	1
6	<u>25808302</u>	Travelling motor MF07LB104 3000-750t/mn - 220V/50Hz - 0.45/0.11Kw	Prise Wieland avant avril 1999 Wieland plug before april 1999 GS332RPC : VS306 - GS315RPC : VS306 6,3T	1
7	<u>25808303</u>	Travelling motor MF07LB104 3000-750t/mn - 380-400V/50Hz - 0.45/0.11KW	Prise Wieland avant avril 1999 Wieland plug before april 1999 GS332RPC : VS306 - GS315RPC : VS306 6,3T	1
8	<u>25808304</u>	Travelling motor MF07LB104 3000-750t/mn - 415V/50Hz - 0.45/0.11KW	Prise Wieland avant avril 1999 Wieland plug before april 1999 GS332RPC : VS306 - GS315RPC : VS306 6,3T	1
9	<u>25808102P</u>	Travelling motor MF07LA104 3000/750 - 220V/50Hz - 0,25/0,06KW	Prise plastique après avril 1999 Plastic plug after april 1999 GS315RPC : VS304<5T & VS306	1
10	<u>25808103P</u>	Travelling motor MF07LA104 3000/750 - 380V/50Hz - 0,25/0,06KW	Prise plastique après avril 1999 Plastic plug after april 1999 GS315RPC : VS304<5T & VS306	1
11	<u>25808104P</u>	Travelling motor MF07LA14 3000/750 - 415V/50Hz- W415V - 0,25/0,06KW	Prise plastique après avril 1999 Plastic plug after april 1999	1
12	<u>25808302P</u>	Travelling motor MF07LB104 3000-750t/mn - 220V/50Hz - 0.45/0.11KW	Prise plastique après avril 1999 Plastic plug after april 1999 GS332RPC : VS306 - GS315RPC : VS306 6,3T	1
13	<u>25808303P</u>	Travelling motor MF07LB104 3000-750t/mn - 380-400V/50Hz - 0.45/0.11KW	Prise plastique après avril 1999 Plastic plug after april 1999 GS332RPC : VS306 - GS315RPC : VS306 6,3T	1
14	<u>25808304P</u>	Travelling motor MF07LB104 3000-750t/mn - 415V/50Hz - 0.45/0.11KW	Prise plastique après avril 1999 Plastic plug after april 1999 GS332RPC : VS306 - GS315RPC : VS306 6,3T	1

34) Electrical parts

item	reference	description	observation	Quantity
-	7536311T	Auxiliary contact LA1D11	N1 à N3	1
-	1113007	Auxiliary contact LA1D20	7536314W	1
-	1113046	Brake circuit protection	Moteur/Motor P1-P2-P3 O-F2 Moteur/Motor P4/P5 A-F7	1
-	1115062	Brake rectifier REC12 For main voltage 230V to 690V	Moteur/Motor P1 à/to P5	1
-	1113045	Circuit braker	63VA 400V/48V	1
-	1113002	Circuit braker		1
-	1113003	Circuit breaker		1
-	1113018	Contacteur	Frein/Brake	1
-	8812152B	Control cable	16x1,5 mm ²	0
-	7691114G	Counter cover		1
-	1113094	Counter support		1
-	7575304B	Fuse 4A		0
-	7575306D	Fuse 6AM		0
-	7573242K	Fuse support	BC31	3
-	1113125	Hour counter - 48V-50Hz		1
-	1123044	Hour counter - 110V-50Hz		1
-	7541412N	Limit switch contact - Top		0
-	1103001	Monitor+connectors	CU1	1
-	1113101	Monitor+transformer	CU1	1
-	1113043	Motor protector - 48V	MSL 48C	1
-	1113071	Motor protector - 115V	MSL 115C	1
-	1113072	Motor protector - 230V	MSL 230C	1
-	1113141	On & Off unit		1
-	7532326L	ON-OFF contactor - 400V/48V - LC1D253E7	Moteur / Motor P4-P5 - O-K1	1
-	834490	Push button	2VL+2VD+AU / 2HS+2CT+ES	1
-	1113023	Reversing contactor	400V-48V Levage+direction/Hoisting cross travelling LC2ECO9E (7531023V)	0
-	1113021	Selector contactor	48V	0
-	1113029	Slow and high speed contactor 400V/48V - LC1D258E	Moteur / Motor P4-P5 -7532324J	1
-	1113076	Transformer 160VA		1
-	7541312D	Travel limit switch	C1-C2-C3	1
-	1123046	Travel limit switch - 2 steps		0
-	1133050	Ultimate limit switch-auto reset	Upper limit switch	0
-	1133051	Ultimate limit switch-manuel reset		0
-	7531325Y	Up and down contactor 690V/48V - LC2D25E7	Moteur / Motor P5 - AK1-AK2	1

35) Mounting and choosing the came selector



item	reference	description	observation	Quantity
1	<u>GTES67DZM</u>	Rotating limit switch - 4C	XS2 - VS2...C et Z 1/1-2/1-4/1 Depuis/Since 01/12/99	1
2	<u>GTES110DZM</u>	Rotating limit switch - 4C	VS2...C et Z 1/1 - 2/1 - 4/1 - Depuis/Since 01/12/99	1