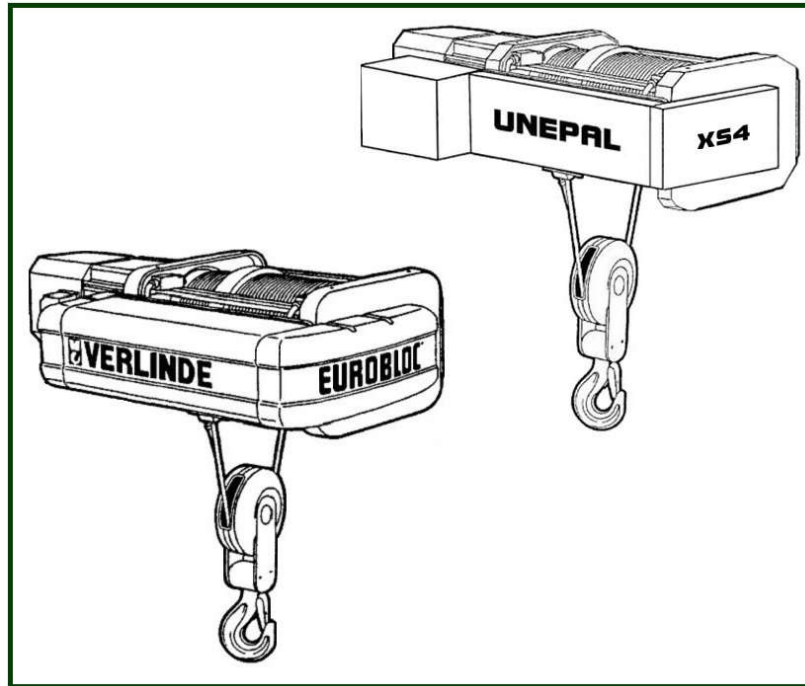


Spare parts catalog for "VS4-XS4"

To avoid errors, when ordering please specify:

- Complete type of hoist
- Date of manufacture and serial number
- Spare part code
- Spare part designation
- Additional information



0) VS HOIST CODIFICATION

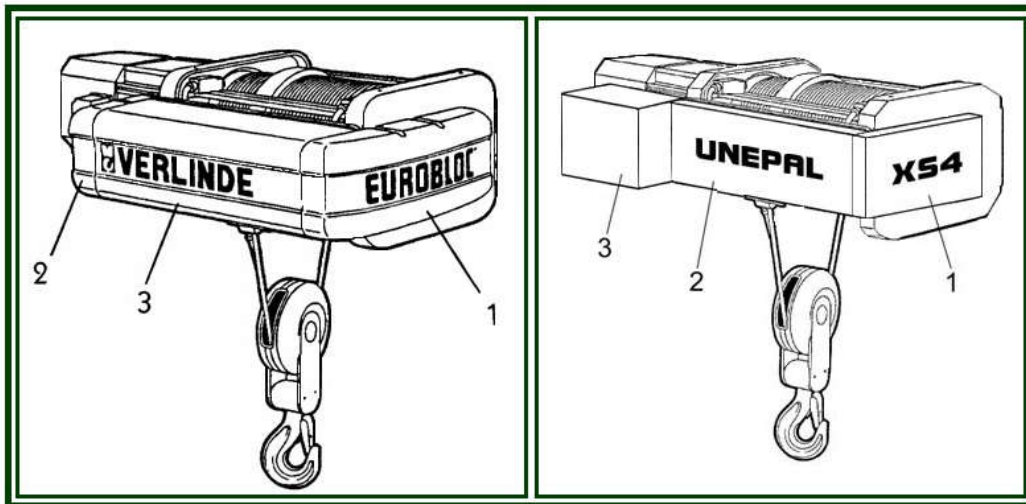
- 1) COVER
- 2) FRAME
- 3) 406 HOST FRAME
- 4) ROPE DRUM
 - 4.1) Precut rope
- 5) GEAR
- 6) ROPE ANCHORAGE SUSPENSION - 2 FALLS FM AND NHT
- 7) ROPE SHEAVE UNIT - 2FALLS - LHT
- 8) ROPE SHEAVE UNIT - 4 FALLS FM AND NHT
- 9) ROPE SHEAVE UNIT - 4 FALLS LHT
- 10) ROPE ENCHORAGE SUSPENSION TRUE VERTICAL LHT
- 11) ROPE ENCHORAGE SUSPENSION TRUE VERTICAL FM / NHT
- 12) SHEAVE UNIT AND ROPE SUSPENSION HOIST 406
- 13) OVERLOAD PROTECTION FM, NHT, LHT (ELECT. MECH.)
 - 14) LIFTING HOOK - 2 FALLS
 - 15) LIFTING HOOK - 4 FALLS
- 16) LIFTING HOOK - 6 FALLS HOISTING GEAR TYPE N
- 17) LIFTING HOOK, 6 FALLS, HOISTING GEAR TYPE L-R
- 18) LIFTING HOOKBLOCK TRUE VERTICAL 4/2
- 19) LOW HEADROOM TROLLEY
- 20) NORMAL HEADROOM TROLLEY
- 21) NORMAL HEADROOM TROLLEY 406
- 22) SWIVELLING TROLLEY
- 23) SWIVELLING TROLLEY 4/1 AND 2/1
- 24) DOUBLE GIRDER TROLLEY HOIST 4/1 ET 2/1
- 25) DOUBLE GIRDER TROLLEY WHEEL SET 4/1 AND 2/1
 - 25.1) VS 404-1
 - 25.2) VS 402-1 VS 404-2
- 26) DOUBLE GIRDER TROLLEY 406
- 27) DOUBLE GIRDER TROLLEY WHEEL SET 6/1
- 28) TRAVELLING MOTOR
 - 28.1) For NHT and LHT monorail hoist
 - 28.2) For birail hoist
- 29) ELECTRIC PARTS
- 30) MOUNTING AND CHOOSING THE CAME SELECTOR

0) VS hoist codification

ABREVIATIONS		ABBREVIATIONS	
(Palan) Fixe	F	Foot Mounted hoist	FM
Chariot à Hauteur Perdue Normale	HPN	Normal Headroom Trolley	NHT
Chariot à Hauteur Perdue Réduite	HPR	Low Headroom Trolley	LHT

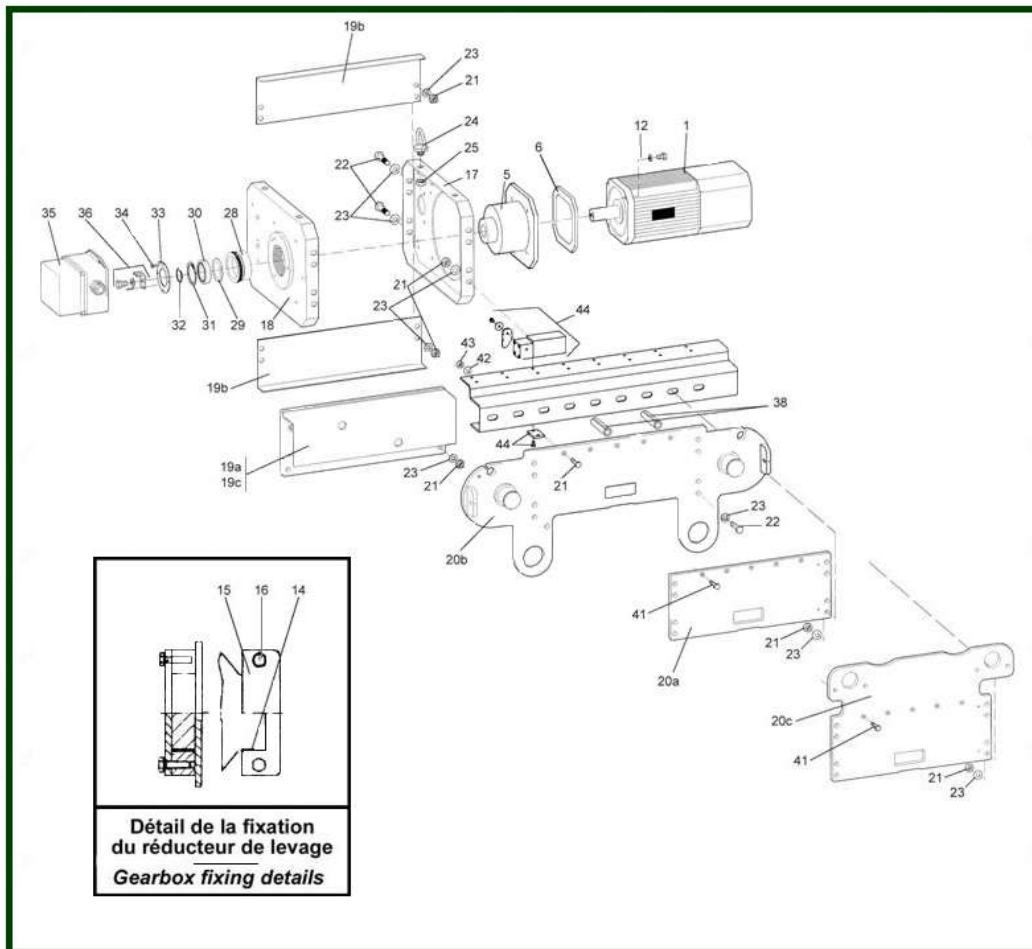
CODIFICATION DES PALANS VS / VS HOIST CODIFICATION												
PALAN VS												
TAILLE DU CHASSIS												
VS	2	1, 2, 3, 4, 5, 6										
	04 1 1	MOUFLAGE	Nombre de brins / Sorties de câbles au tambour / Nombre de « crochets »									
		5	GROUPE ISO		4 = 1Am	5 = 2m	6 = 3m	7 = 4m	X = Spécial			
			R 20	CHARIOT (*) / LARGEUR DE FER (**)								
				<ul style="list-style-type: none"> (*) R = HPR N = HPN P = Birail parallèle C = Birail perpendiculaire F = Fixe posé X = Spécial 		<ul style="list-style-type: none"> (**) Monorail 10 = 80...100 15 = 100...150 20 = 151...250 25 = 201...250 30 = 251...300 35 = 301...350 40 = 351...400 45 = 401...450 		<ul style="list-style-type: none"> Birail 09 = 900 14 = 1400 17 = 1700 20 = 2000 24 = 2400 27 = 2700 31 = 3100 				
			A	LONGUEUR DE CHASSIS / HAUTEUR DE LEVAGE								
				A, B, C, D, E, F, G, H, J, K, L, M, N								
VS	2	04 1 1	5	R 20	A	N	N2	23 5	SE 5	+	25	N
REDUCTEUR / VITESSE												
L = Lent N = Normal R = Rapide X = Spécial												
MOTEUR												
N (1, 2, 3, 4, 5) = 2 vitesses H (2, 3, 4) = Service lourd F (3, 4, 5, 6) = Variation de vitesse X = Spécial (1 = 1,9 kW, 2 = 3,5 kW, 3 = 7,5 kW, 4 = 15 kW, 5 = 30 kW)												
TENSION D'ALIMENTATION												
23 5 = 230V / 50 Hz 40 5 = 400V / 50 Hz 41 5 = 415V / 50 Hz												
EQUIPEMENT ELECTRIQUE												
S = Palan solo K = Palan pour kit C = Classic E = Europe H = Hi-tronic 4 = IP 54 5 = IP 55 X = Spécial												
LIMITEUR DE CHARGE												
L = Limiteur seul M = Monitor + = Limiteur + monitor												
DIRECTION												
16 = 16/4 20 = 20/5 25 = 25/6,3 NO = Non CH = Chaîne XX = Spécial												
CONCEPTION SPECIALE												
N = Non M = Mécanique E = Electrique D = Divers												

1) Cover



item	reference	description	observation	Quantity
1	1145021	Cover		1
1	S4FAB03B	Cover - Opposite motor side	* VS4...B et D - XS5 - Longueur de chassis / Length of the frame B et D	1
2	S4FAB04B	Cover - Motor side	* VS406 seulement	1
3	S4FAB01B	Side cover - Lg B	* N.C.	1
3	S4FAD01B	Side cover - Lg D	Longueur de chassis / Length of the frameD	1
3	S4FAE02B	Side cover - Lg E		1
3	S4FAF02B	Side cover - Lg F	Longueur de chassis / Length of the frame F	1
3	S4FAG02B	Side cover - Lg G	Longueur de chassis / Length of the frame G	1
-	830924	CHC screw 6 x 12		1
-	1155034	Cubicle extension - Lg E	VS4...E - VS5...E	1
-	VSSF015A	Cubicle extension - Lg F	* VS4...F	1
-	VSSG015A	Cubicle extension - Lg G	* VS4...G	1
-	NCPE	Electric PC board		1
-	7231061Z	Flat washer 6	Frein manuel-Frein automatique / Manuel brake-Automatic brake	1
-	1145023	Load limiter		1
=	1145030	Electric cubicle	VS4...B	1
=	1145130	Electric cubicle	VS4...D/E/F/G - VS5...D	1

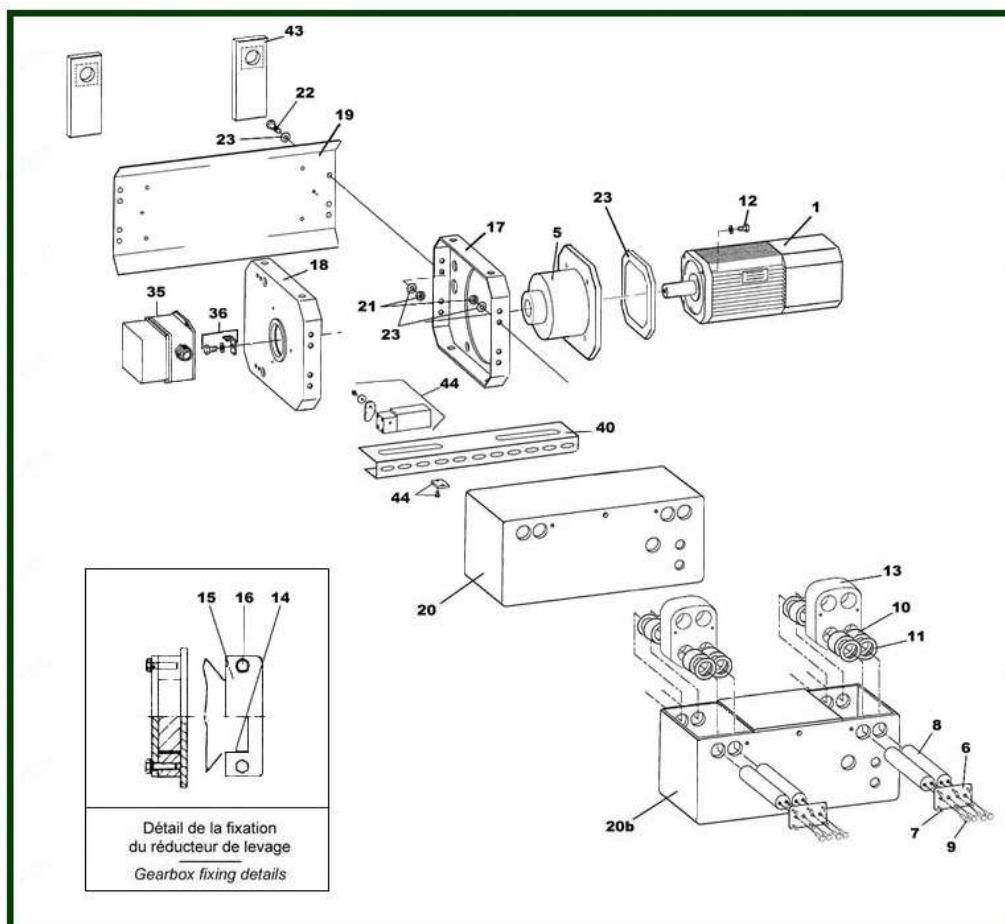
2) Frame



item	reference	description	observation	Quantity
1	1147006	Complete motor 400V/50Hz - 7,5/1,2Kw		1
1	1147008G3	Hoising Motor	VS4...G3	1
1	1137002	Motor 230V/50Hz - 7,5/1,2Kw	VS3...N3	1
1	1147002	Motor 230V/50Hz - 15/2,5 Kw	N4	1
1	1137004	Motor 380V/50Hz - 440V/60Hz - 7,5/1,2Kw	VS3...N3	1
1	1147004	Motor 380V/50Hz - 440V/60Hz - 15/2,5 Kw	N4	1
1	1137006	Motor 400V/50Hz - 7,5/1,2Kw	VS3...D3 - Frein manuel / Manual brake	1
1	1137001	Motor 400V/50Hz - 460V/60Hz - 7,5/1,2kw	VS3...N3	1
1	1147010	Motor 400V/50Hz - 460V/60Hz - 7.5/2.5kw	VS4 L4 - 1500/500 TR/min	1
1	1147001	Motor 400V/50Hz - 460V/60Hz - 15/2,5 Kw	N4	1
1	1137003	Motor 400V/50Hz - 460V/60Hz - 15/2,5 Kw	VS3...N3	1
1	1147003	Motor N4 - 400V/50Hz - 460V/60Hz - 15/2,5 Kw	N4	1
5	1147502	Gear box	VS4...NN4 - 4G3300	1
5	1147503	Gear box - 4G4400	VS4...RN4 - 4G4400	1
5	1147504	Gear box - 4G4600	VS4...NN4 - 4G4600	1
6	1147550	Gearbox covering plate	VS4...N3/F3	1
12	7215657F	CHC screw M12x35	VS4 - VS5 - Moteur N4	1
12	7215557X	Screw CHCM10x25		4
17	1145040	End plate - Motor side		1
18	1145050	End plate - Opposite motor side		1

19a	<u>1145017</u>	Side plate	VS4...F..B	1
19a	<u>1145117</u>	Side plate	VS4...F..D	1
19b	<u>1145051</u>	Side plate - Lg 646	(*) VS4...R....B	2
19b	<u>1145151</u>	Side plate - Lg 926	(*) VS4...R....D	1
19c	<u>1144514</u>	Side plate	VS4...N..B	1
19c	<u>1144614</u>	Side plate	VS4...N..D	1
20a	<u>1145011</u>	Side plate - Lg 646	(*) VS4...F...B	1
20a	<u>1145111</u>	Side plate - Lg 926	(*) VS4...F...D	1
20b	<u>1143511</u>	Side plate	(*) VS4...R....B	1
20b	<u>1143611</u>	Side plate	(*) VS4...R....D	1
20c	<u>1144517</u>	Side plate NHT - Lg 646	(*) VS4...N...B	1
20c	<u>1144617</u>	Side plate NHT - Lg 926	(*) VS4...N...D	1
21-22-25	<u>831598</u>	Nylstop nut M18	C1 - HPN/NHT	16
23	<u>7151642Z</u>	M16 Washer		32
24	<u>1140006</u>	Lifting hook	Fixe (2) - HPN (4) - HPR (1)	1
25	<u>831521</u>	M18 nut	HPN/NHT	2
28	<u>1145038</u>	Housing bearing		1
29	<u>8130095</u>	Nylos Ring		1
30	<u>8110074</u>	Bearing		1
31	<u>400080</u>	Retaining ring for bore - Ø 90x3		1
32	<u>400079</u>	Outer circlip		1
33	<u>1145039</u>	Adjusting plate		1
34	<u>830924</u>	CHC screw 6 x 12		4
35	<u>NCSACd99</u>	Hoisting limit switch	Since 12/99	1
36	<u>1144020</u>	Driving part assy	Depuis / Since 01/12/99	1
38	<u>8150083</u>	Mecani.dowel	VS4...B...D	5
39-42	<u>831504</u>	Brake washer AZ M8	VS4...B...D - VS5....D/E	5
40	<u>1141026</u>	Limit switch rail - Lg 570	VS4...B	1
40	<u>1141126</u>	Limit switch rail - Lg 793	VS4....D	1
41	<u>550978</u>	Screw CHC M8X70	VS4...B...D	5
43	<u>7232080G</u>	GROWER washer - Ø 8		5
44	<u>1113113</u>	Limit switch	Jusqu'à / To 30/11/99	2

3) 406 host frame



item	reference	description	observation	Quantity
1	1147006	Complete motor 400V/50Hz - 7,5/1,2Kw		1
1	1147008G3	Hoising Motor	VS4...G3	1
1	1137002	Motor 230V/50Hz - 7,5/1,2Kw	VS3...N3	1
1	1147002	Motor 230V/50Hz - 15/2,5 Kw	N4	1
1	1137004	Motor 380V/50Hz - 440V/60Hz - 7,5/1,2Kw	VS3...N3	1
1	1147004	Motor 380V/50Hz - 440V/60Hz - 15/2,5 Kw	N4	1
1	1137006	Motor 400V/50Hz - 7,5/1,2Kw	VS3...D3 - Frein manuel / Manual brake	1
1	1137001	Motor 400V/50Hz - 460V/60Hz - 7,5/1,2Kw	VS3...N3	1
1	1147010	Motor 400V/50Hz - 460V/60Hz - 7.5/2.5kw	VS4 L4 - 1500/500 TR/min	1
1	1147001	Motor 400V/50Hz - 460V/60Hz - 15/2,5 Kw	N4	1
1	1137003	Motor 400V/50Hz - 460V/60Hz - 15/2,5 Kw	VS3...N3	1
1	1147003	Motor N4 - 400V/50Hz - 460V/60Hz - 15/2,5 Kw	N4	1
5	1147502	Gear box	VS4...NN4 - 4G3300	1
5	1147503	Gear box - 4G4400	VS4...RN4 - 4G4400	1
5	1147504	Gear box - 4G4600	VS4...NN4 - 4G4600	1
6	V4NAP65A	Locking plate - NHT 406		2
7	830205	Securing screw for brake bar HM 8 x 25		16
8	V4NAP64A	Shaft		4
9	830425	HM screw 12 x 30		8
10	V4NAP68A	Sleeve		10

11	8150019	Washer - 68 x 55 x 1	SP55X68X2 DIN988 - VS402...R - 1AM/2M/3M	1
12	7215657F	CHC screw M12x35	VS4 - VS5 - Moteur N4	4
12	7215557X	Screw CHCM10x25		4
13	V4NAP67A	Suspension crossmember < 500 mm	Nous consulter / Consult us - Pièces à la commande / Parts on order	2
13	V4NAP66A	Suspension crossmember > 350 mm	Nous consulter / Consult us - Pièces à la commande / Parts on order	2
14	95118201	Plastic cap		2
15	1151036	Gearing fixing plate		2
16	830301	Screw HM 10X20	VS4...N3/F3	2
17	V4FAA60A	End plate - Motor side		1
18	V4FAB60A	End plate - Opposite motor side		1
19	V4BA11EA	Side Plate - 6 falls - Length E	(* VS406...E (1429)	1
19	V4BA11FA	Side Plate - 6 falls - Length F	(* VS406...F (1729)	1
19	V4BA11GA	Side Plate - 6 falls - Length G	(* VS406...G (2029)	1
20	V4BAP6EA	Load side plate fix mounted - 6 falls - Length E	(* VS406...E (1429)	1
20	V4BAP6FA	Load side plate fix mounted - 6 falls - Length F	(* VS406...F (1729)	1
20	V4BAP6GA	Load side plate fix mounted - 6 falls - Length G	(* VS406...G (2029)	1
20b	V4NAP6EA	Load side plate HPN - 6 falls - Length E	(* VS406...E (1429)	1
20b	V4NAP6FA	Load side plate HPN - 6 falls - Length F	(* VS406...F (1729)	1
20b	V4NAP6GA	Load side plate HPN - 6 falls - Length G	(* VS406...G (2029)	1
21	831598	Nylstop nut M18	C1 - HPN/NHT	16
22	830318	HM Screw 16 X 60		16
23	7151642Z	M16 Washer		32
24	1140006	Lifting hook	Fixe (2) - HPN (4) - HPR (1)	4
25	831521	M18 nut	HPN/NHT	2
28	1145038	Housing bearing		1
29	8130095	Nylos Ring		1
30	8110074	Bearing		1
31	700080	Circlip		1
32	400079	Outer circlip		1
33	1145039	Adjusting plate		1
34	830924	CHC screw 6 x 12		3
35	NCSACd99	Hoisting limit switch	Since 12/99	1
36	1144020	Driving part assy	Depuis / Since 01/12/99	1
38	7232080G	GROWER washer - Ø 8		7
39	7211454N	Screw		7
40	1151126	Limit switch rail - Lg 1430	VS406...E et F - VS5...E	1
40	7X1A01FB	Limit switch rail - Lg 1735	VS406...G	1
43	V4NB601A	Locking plate support		2
44	1113113	Limit switch	Jusqu'à / To 30/11/99	1

4) Rope drum

VS 4 OB	VS 4 OB	Longueur à couper Lenght to be cut	Code câble Rope reference
1/1	1 Fall	38,700	9
2/1 Birail	2/1 Crab trolley	37,000	10
2/1 Fixe / Hpn	2/1 fixed / normal headroom	37,000	10
2/1 HPR	2/1 low headroom	37,000	10
4/1 Birail	4/1 crab trolley	39,000	10
4/1 Fixe /Hpn	4/1 fixed / normal headroom	39,000	10
4/1 HPR	4/1 low headroom	38,500	10
2/1 Boggie	2/1 swivelling trolley	37,000	10
4/1 Boggies	4/1 swivelling trolley	39,000	10
4/2 HPRC9	4/2 low headroom C9	2X22,400	11
4/2FixeC9	4/2 fixed C9	2X21,800	11
VS 4 OD	VS 4 OD	Longueur à couper Lenght to be cut	Code câble Rope reference
1/1	1 Fall	55,000	9
2/1 Birail	2/1 Crab trolley	56,000	10
2/1 Fixe / Hpn	2/1 fixed / normal headroom	56,000	10
2/1 HPR	2/1 low headroom	56,000	10
4/1 Birail	4/1 crab trolley	58,000	10
4/1 Fixe /Hpn	4/1 fixed / normal headroom	58,000	10
4/1 HPR	4/1 low headroom	57,500	10
2/1 Boggie	2/1 swivelling trolley	56,000	10
4/1 Boggie	4/1 swivelling trolley	58,000	10
2/1HPR C9	2/1 low headroom C9	77,000	N.C
4/2HPRC9	4/2 low headroom C9	2X34,000	11
2/1HPRC7	2/1 low headroom C7	94,000	N.C
2/1 C9	2/1 câble Ø 9	77,00	N.C
VS406	VS406	Longueur à couper Lenght to be cut	Code câble Rope reference
VS406 LG E	6/1	64,500	10
VS406 LG F	6/1	83,500	10
VS406 LG G	6/1	106,400	10

N.C : Nous consulter / Please consult us

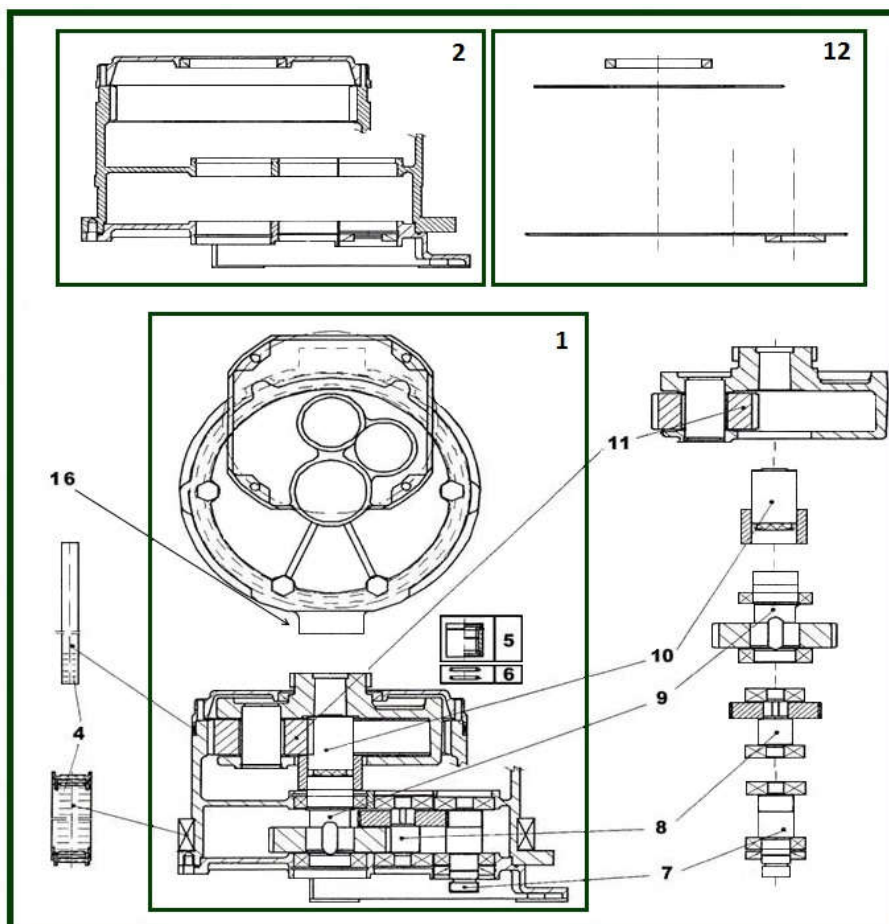
item	reference	description	observation	Quantity
1	VS40154D	Rope drum 1F - Lg 935 mm - P7,8	VS402...VLN3	1
1	VS40158D	Rope drum 1F - Lg 935 mm - P9,9	VS402...YLN3	1
1	1140402B	Rope drum 2F - Lg 655 mm - P9,9	VS4042...B	1
1	1140402D	Rope drum 2F - Lg 935 mm - P9,9	VS4042...D	1
1	1140500	Rope drum - Lg 655 mm	VS4.....B	1
1	1140600	Rope drum - Lg 935 mm	VS4.....D	1
1	1140700	Rope drum - Lg 1430 mm	VS4.....E	1
1	1140800	Rope drum - Lg 1735 mm	VS4.....F	1
1	1140900	Rope drum - Lg 2035 mm	VS4.....G	1
2	1140560	Complete rope guide - Ø 7 mm - P7.8 - Right	VS4...V - 2/1	1
2	1140570	Complete rope guide - Ø 9 mm - P9.9 - Right	VS4.... 4/2 - VS402 ...Y	1

2	<u>1140540</u>	Complete rope guide - Ø 13 mm	VS4...B/D - 2/1 - 4/1 - 6/1	1
2	<u>1140571</u>	Rope guide complete - Ø 9mm - P9.9 - Left	VS4.... 4/2	1
3	<u>32332002</u>	Spring		1
4	<u>1141014</u>	Support arm + screws		1
5	<u>7215564E</u>	Screw CHCM 10x70		2
5	<u>32332001</u>	Spring		2
6	<u>12133001</u>	Rope anchor on drum	VS2-VS4	5
7	<u>7215555V</u>	BTR screw 10 x 25		5
8	<u>7232100D</u>	GROWER washer M10	DIN12 Standard - Frein automatique/Automatic brake	5
9	<u>1141042</u>	Antigratory rope - Ø 13 mm	VS401...BR	1
10	<u>1131142</u>	Compact rope - Ø 9 mm	VS304, VS302 et VS306 - VS4 OB, VS4 OD	1
10	<u>1141143</u>	Compact rope - Ø 13 mm	VS402/4/6...BR	1

4.1) Precut rope

item	reference	description	observation	Quantity
	<u>53044759</u>	Compact rope - Ø 7 mm 17X7-B-LHL-40.4	Lg 37m	1
	<u>53044763</u>	Compact rope - Ø 7 mm 17X7-B-LHL-40.4	Lg 38m	1
	<u>53044765</u>	Compact rope - Ø 7 mm 17X7-B-LHL-40.4	Lg 46m	1
	<u>53043542</u>	Compact rope - Ø 9 mm 9X17-B-LHL-68.5	Lg 37m	1
	<u>53043513</u>	Compact rope - Ø 9 mm 9X17-B-LHL-68.5	Lg 20m	1
	<u>53043540</u>	Compact rope - Ø 9 mm 9X17-B-LHL-68.5	Lg 36m	1
	<u>53043561</u>	Compact rope - Ø 9 mm 9X17-B-LHL-68.5	Lg 38m	1
	<u>53043569</u>	Compact rope - Ø 9 mm 9X17-B-LHL-68.5	Lg 39m	1

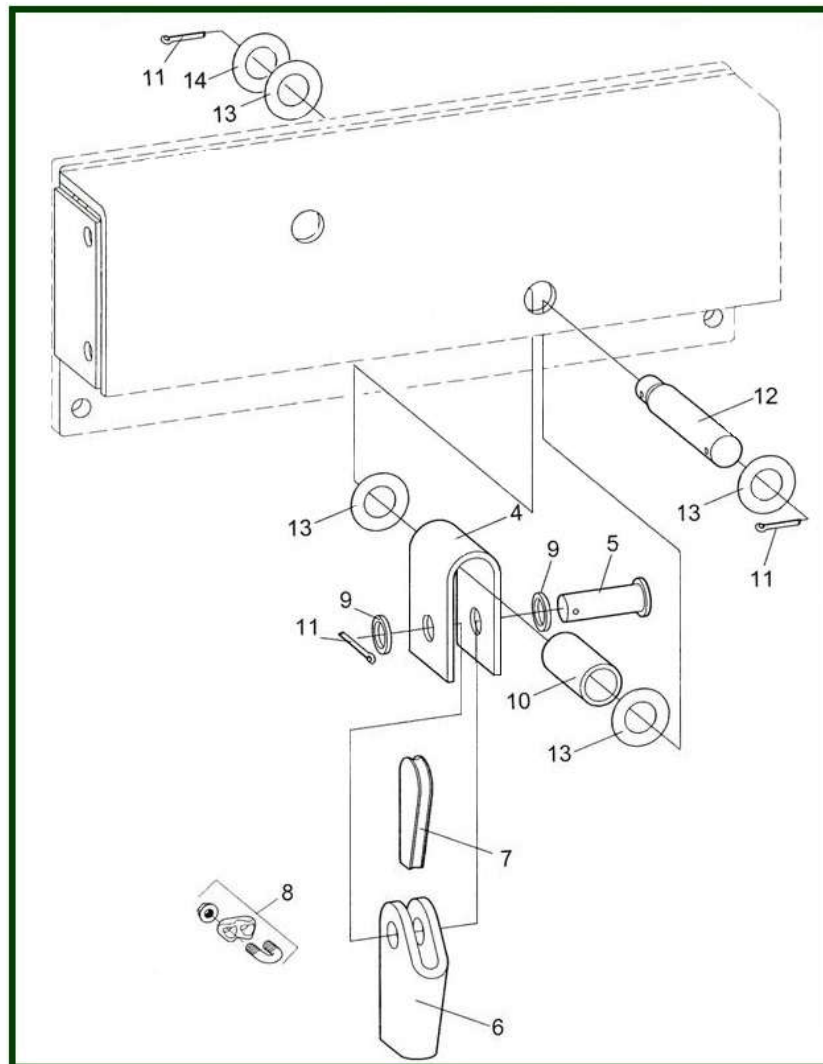
5) Gear



item	reference	description	observation	Quantity
1	1147502	Gear box	VS4...NN4 - 4G3300	1
1	1147503	Gear box - 4G4400	VS4...RN4 - 4G4400	1
1	1147504	Gear box - 4G4600	VS4...NN4 - 4G4600	1
2	P4G0005	Gear housing	VS4...LN3	1
2	P4G0007	Gear housing	VS4...RN4	1
2	S4G006A	Gearn housing	VS4...NN4	1
4	S4G015A	Bearing set	VS4...LN3/RN4	1
4	S4G016A	Bearing set	VS4...NN4	1
5	P3G0008	Coupling	VS3 N3 - VS4...LN3	1
5	P4G0013	Coupling	VS4...RN4/NN4	1
6	P4G0016	O-Ring	VS4...RN4/NN4	2
6	P3G0010	Seal	VS3 N3 - VS4...LN3	2
7	P4G0017	Primary shaft complete	VS4...LN3	1
7	S4G020A	Primary shaft complete	VS4...NN4	1
7	P4G0019	Primary shaft complete	VS4...RN4	1
8	P4G0021	2nd gear complete	VS4...LN3	1
8	S4G024A	2nd gear complete	VS4...NN4	1
8	P4G0022	2nd gear complete	VS4...RN4	1
9	P4G0023	3rd gear complete	VS4...L/N/R	1
10	P4G0024	Coupling	VS4...L/N/R	1
11	P4G0025	Planetary gear complete	VS4...L/N/R	1

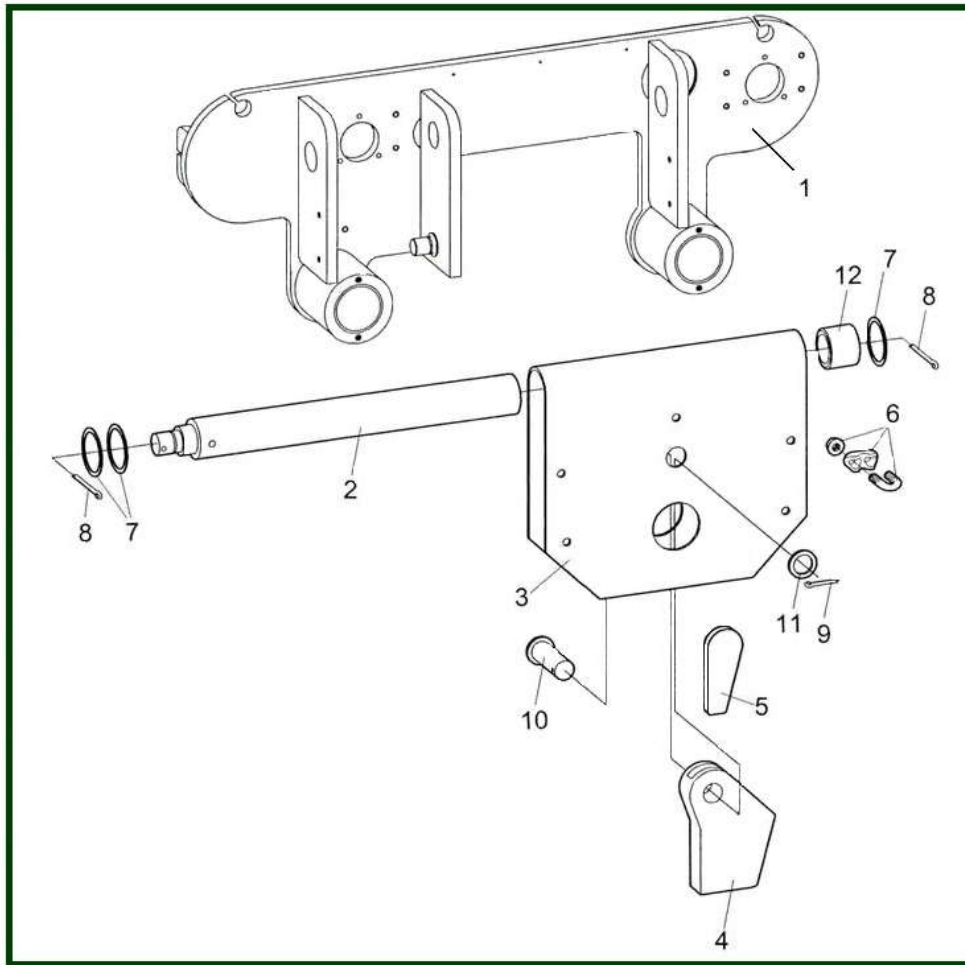
12	<u>P4G0026</u>	Seals	VS4...LN3/RN4	1
12	<u>P4G0028</u>	Seals	VS4...R/NN4	1
14	<u>1147550</u>	Gearbox covering plate	VS4...N3/F3	1
15	<u>830301</u>	Screw HM 10X20	VS4...N3/F3	4
16	<u>95118201</u>	Plastic cap		2

6) Rope anchorage suspension - 2 falls FM and NHT



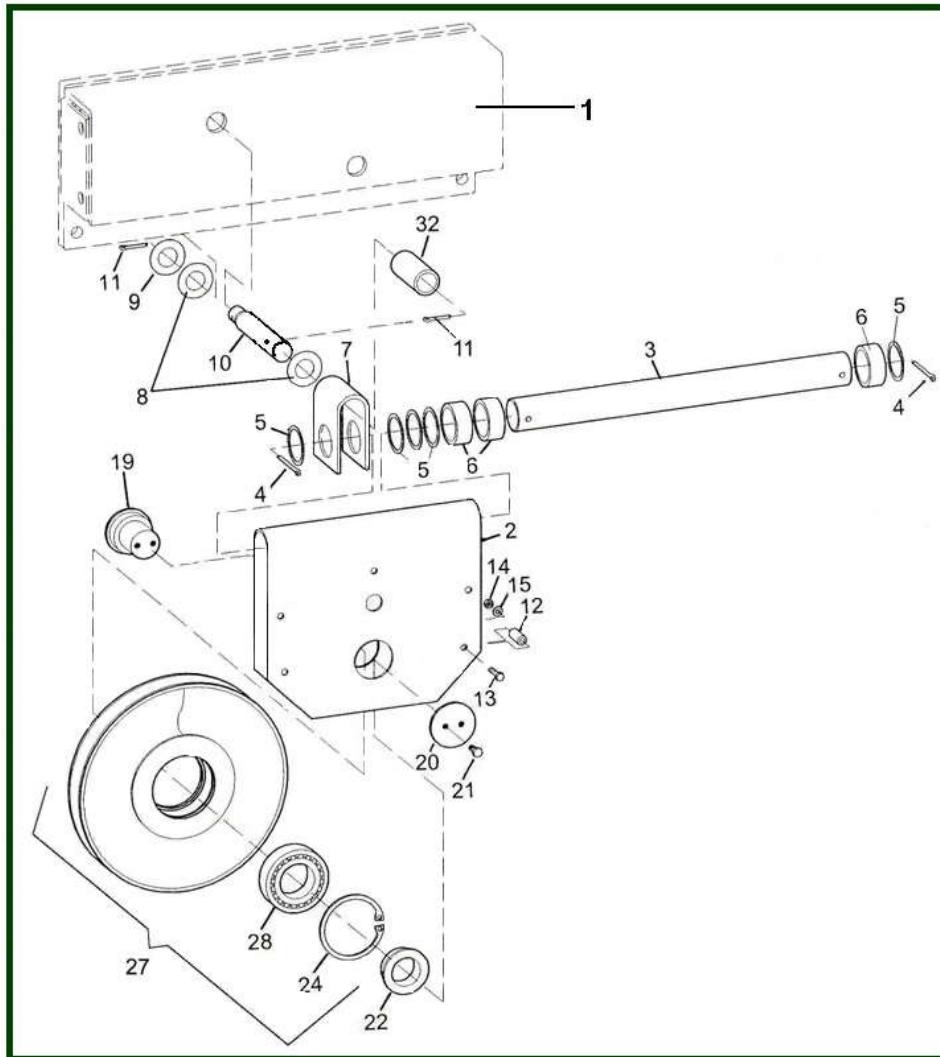
item	reference	description	observation	Quantity
1	1144514	Side plate	VS4...N..B	1
1	1144614	Side plate	VS4...N..D	1
2	1145017	Side plate	VS4...F..B	1
2	1145117	Side plate	VS4...F..D	1
4	1142634	Support	FIXE/HPN 2/1	1
4	1142534	Support	FIXE/HPN/HPR 4/1	1
5	1143515	Pivot shaft		1
6	8536132E	Key housing	Câble / cable - Ø 13	1
7	8536233Q	Key		1
8	7333140E	Rope clamp - Ø 14		1
9	832113	Washers M24 - 2mm	C2	2
10	1142549	Sleeve		1
11	7271633Z	Split pin 6.3 x 56		4
12	1145015	Shaft		1
13	8150016	Washer - Ø 33		5
14	8150017	Washer - Ø 16		4
-	1152532	Plastic sleeve		1

7) Rope sheave unit - 2 falls - LHT



item	reference	description	observation	Quantity
1	1143514	Rope anchorage suspension	VS402...RB	1
1	1143614	Rope anchorage suspension	VS402...RD	1
2	1143518	Beam		1
3	94134501	Support	VS404..4..R VS404..5/6..R	1
4	8536132E	Key housing	Câble / cable - Ø 13	1
5	8536233Q	Key		1
6	7333140E	Rope clamp - Ø 14		1
7	8150019	Washer - 68 x 55 x 1	SP55X68X2 DIN988 - VS402...R - 1AM/2M/3M	3
8	7271804K	Split pin	8 x 70	1
9	8150095	Split pin		2
10	1143515	Pivot shaft		1
11	832113	Washers M24 - 2mm	C2	1
12	1143521	Bushing	VS402...R - 1AM/2M/3M	1

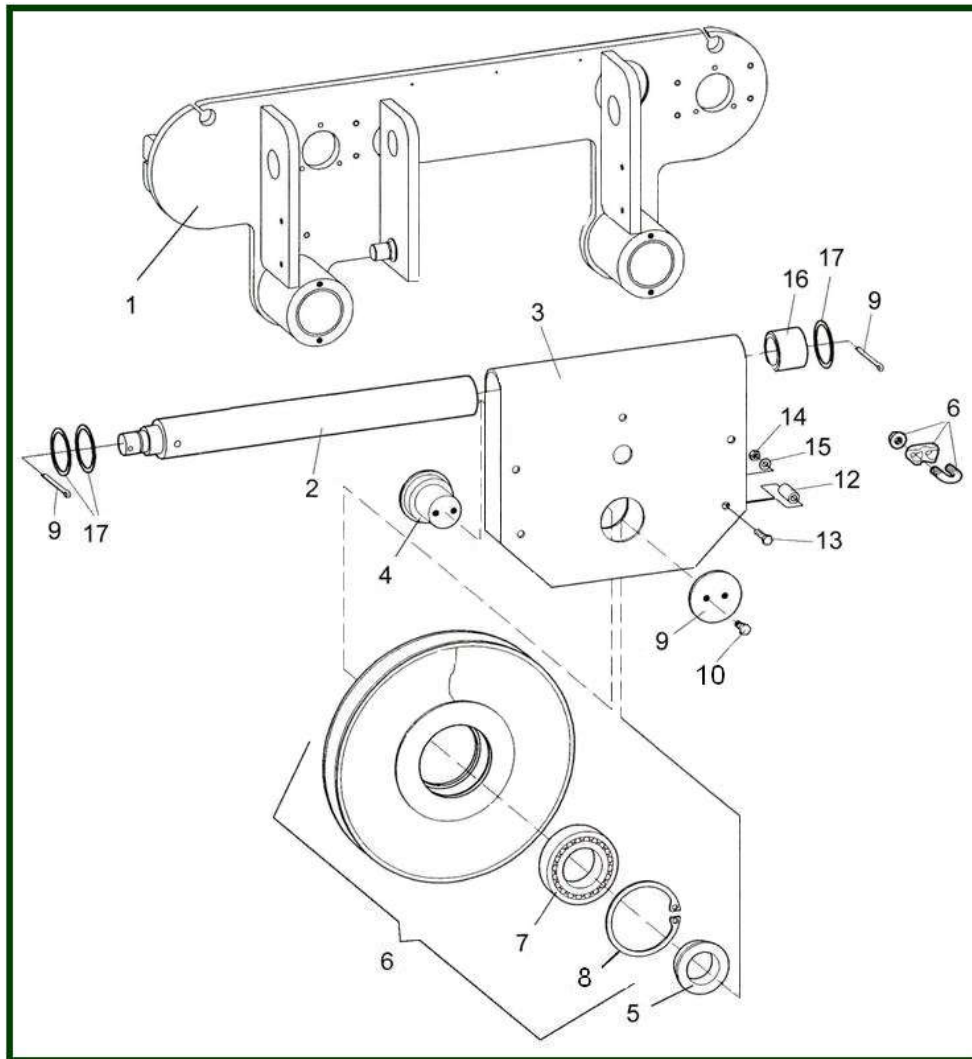
8) Rope sheave unit - 4 falls - FM and NHT



item	reference	description	observation	Quantity
1	1145017	Side plate	VS4...F..B	1
1	1144514	Side plate	VS4...N..B	1
1	1144614	Side plate	VS4...N..D	1
1	1145117	Side plate	VS4...F..D	1
2	94134501	Support	VS404..4..R VS404..5/6..R	1
3	1142518	Beam		1
4	8150091	Split pin 8x70		2
5	8150019	Washer - 68 x 55 x 1	SP55X68X2 DIN988 - VS402...R - 1AM/2M/3M	5
6	1142521	Sleeve		3
7	1142547	Support part	VS4042...FOOB	1
8	8150016	Washer - Ø 33		4
9	8150017	Washer - Ø 16		2
10	1145015	Shaft		1
11	7271633Z	Split pin 6.3 x 56		3
12	4751650	Spring pin	VS5.....D/E - 1AM - 2M/3M	3
13	83030	HM screw 10 x 70	1 AM - 2M/3M	3
14	831507	Nut HM10	PRC2/3 - 1AM - 2M/3M	3

15	<u>7232100D</u>	GROWER washer M10	DIN12 Standard - Frein automatique/Automatic brake	3
19	<u>1132606</u>	Pulley Shaft	2/3M - VS404..5/6..R	1
19	<u>1142506</u>	Shaft	VS404..4..R 2/3M	1
20	<u>1132609</u>	Locking plate	2/3M	1
21	<u>830201</u>	Exterior circlip	C3	2
22	<u>1142503</u>	Bushing	2M/3M	1
22	<u>1132603</u>	Sleeve	2/3M	1
24	<u>8150081</u>	Circlip	2/3M-VS404..5/6..R - 2/3M	1
24	<u>8130086</u>	Circlip		1
27	<u>1142520</u>	Complete pulley with bearing D266	1AM	1
27	<u>1142620</u>	Complete pulley with bearing - Ø 330	2/3M	1
28	<u>7422211K</u>	Bearing	2/3M	1
28	<u>8130072</u>	Bearing		1
32	<u>1142549</u>	Sleeve		1

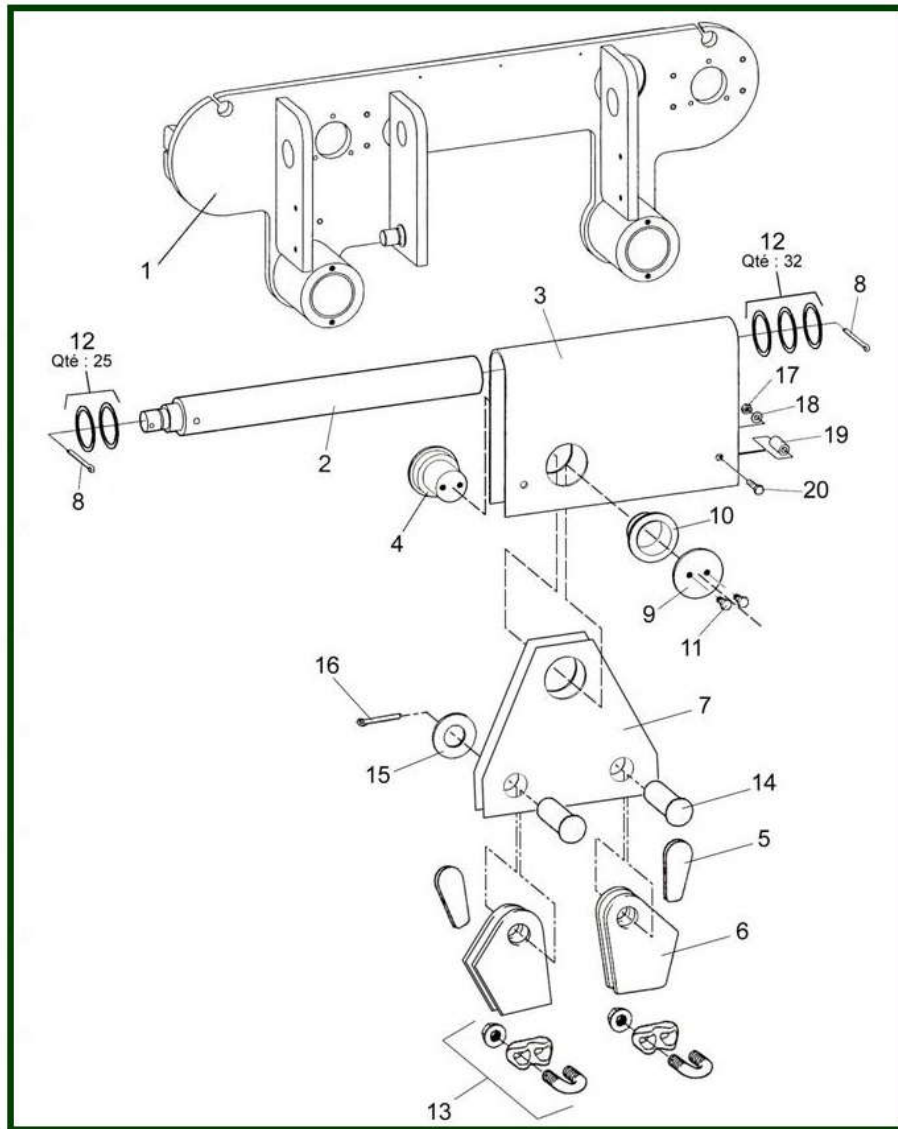
9) Rope sheave unit - 4 falls - LHT



item	reference	description	observation	Quantity
1	1142505	Rope sheave unit	VS404..4..R	1
1	1142605	Rope sheave unit	VS404..5/6..R	1
2	1142518	Beam		1
3	94134501	Support	VS404..4..R VS404..5/6..R	1
4	1132606	Pulley Shaft	2/3M - VS404..5/6..R	1
4	1142506	Shaft	VS404..4..R 2/3M	1
5	7422211K	Bearing	2/3M	1
5	8130072	Bearing		1
6	8150081	Circlip	2/3M-VS404..5/6..R - 2/3M	1
6	8130086	Circlip		1
7	1142520	Complete pulley with bearing D266	1AM	1
7	1142620	Complete pulley with bearing - Ø 330	2/3M	1
8	7333140E	Rope clamp - Ø 14		1
9	7271804K	Split pin	8 x 70	1
10	1132503	Sleeve	1Am	1
10	1132603	Sleeve	2/3M	1
11	8150095	Split pin		1

12	<u>4751650</u>	Spring pin	VS5....D/E - 1AM - 2M/3M	3
13	<u>830330</u>	HM screw 10 x 70	1AM - 2M/3M	3
14	<u>831507</u>	Nut HM10	PRC2/3 - 1AM - 2M/3M	3
15	<u>7232100D</u>	GROWER washer M10	DIN12 Standard - Frein automatique/Automatic brake	3
16	<u>1143521</u>	Bushing	VS402...R - 1AM/2M/3M	1
17	<u>8150019</u>	Washer - 68 x 55 x 1	SP55X68X2 DIN988 - VS402...R - 1AM/2M/3M	1
18	<u>1132609</u>	Locking plate	2/3M	1
19	<u>830201</u>	Exterior circlip	C3	2
-	<u>52699499</u>	Anchor point support	> 300mm	1

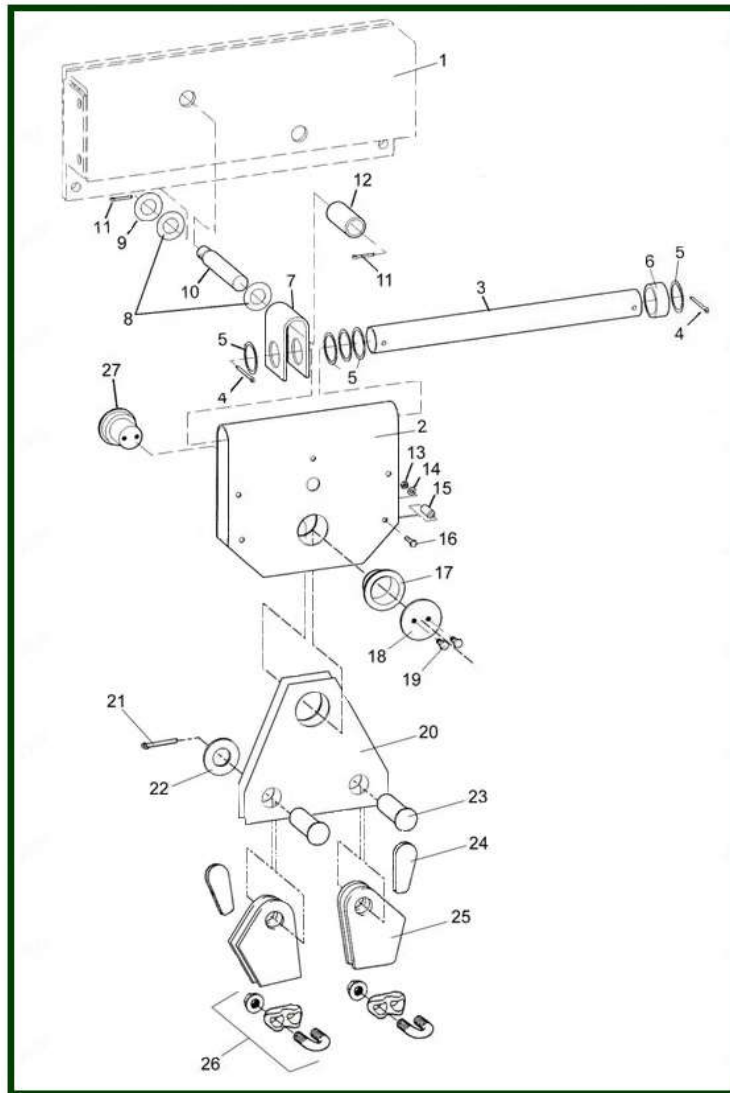
10) Rope encharge suspension true vertical LHT



item	reference	description	observation	Quantity
1	1143514	Rope anchorage suspension	VS402...RB	1
1	1143614	Rope anchorage suspension	VS402...RD	1
2	1143518	Beam		1
3	94134501	Support	VS404..4..R VS404..5/6..R	1
3	VS40226A	Support plate for B drum		1
4	VS40183A	Shaft		1
5	1132530	Key		2
6	1132527	Key housing		1
7	VS40185A	Lifting beam		1
8	7271804K	Split pin	8 x 70	1
9	1132609	Locking plate	2/3M	1
10	VS40184A	Sleeve		1
11	830201	Exterior circlip	C3	2
12	8150019	Washer - 68 x 55 x 1	SP55X68X2 DIN988 - VS402...R - 1AM/2M/3M	57
13	73331004	Rope clamp		2

14	<u>1112515</u>	Anchor point shaft		1
15	<u>8110019</u>	Washer - Ø 20		3
16	<u>831656</u>	Split pin		2
17	<u>831507</u>	Nut HM10	PRC2/3 - 1AM - 2M/3M	1
18	<u>7232100D</u>	GROWER washer M10	DIN12 Standard - Frein automatique/Automatic brake	1
19	<u>4751690</u>	Spring pin		1
20	<u>830330</u>	HM screw 10 x 70	1AM - 2M/3M	1

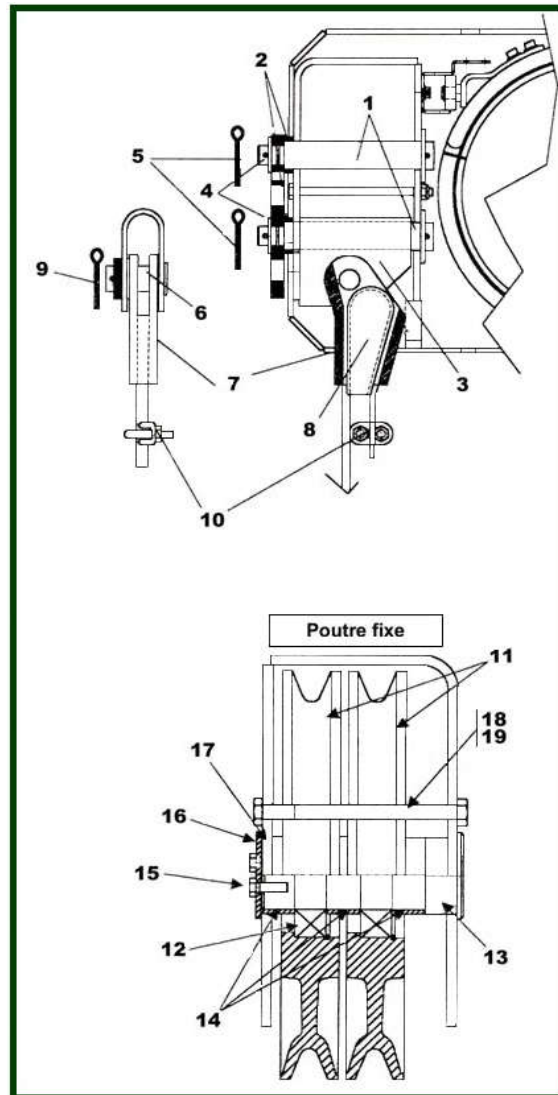
11) Rope enchainage suspension true vertical FM / NHT



item	reference	description	observation	Quantity
1	VS40180A	Fix mounted Load side plate drum D	VS4042...F00D	1
1	1145017	Side plate	VS4...F..B	1
2	94134501	Support	VS404..4..R VS404..5/6..R	1
2	VS40226A	Support plate for B drum		1
3	1142518	Beam		1
4	7271804K	Split pin	8 x 70	2
5	8150019	Washer - 68 x 55 x 1	SP55X68X2 DIN988 - VS402...R - 1AM/2M/3M	6
6	1142521	Sleeve		1
7	1142547	Support part	VS4042...FOOB	1
7	NCCT	Support part	VS4042...FOOD	2
8	8150016	Washer - Ø 33		3
9	8150017	Washer - Ø 16		1
10	1145015	Shaft		1
11	7271633Z	Split pin 6.3 x 56		2
12	1142549	Sleeve		1
13	831507	Nut HM10	PRC2/3 - 1AM - 2M/3M	2

14	<u>7232100D</u>	GROWER washer M10	DIN12 Standard - Frein automatique/Automatic brake	1
15	<u>4751690</u>	Spring pin		1
16	<u>830330</u>	HM screw 10 x 70	1AM - 2M/3M	1
17	<u>VS40184A</u>	Sleeve		1
18	<u>1132609</u>	Locking plate	2/3M	1
19	<u>830201</u>	Exterior circlip	C3	2
20	<u>VS40185A</u>	Lifting beam		1
21	<u>831656</u>	Split pin		1
22	<u>7231202C</u>	Washer		8
23	<u>112515</u>	Fixed point shaft		2
24	<u>1132530</u>	Key		1
25	<u>1132527</u>	Key housing		1
26	<u>7333080Q</u>	Bull dog grip - ø 8,5	DIN741-6.5	1
27	<u>VS40183A</u>	Shaft		1

12) Sheave unit and rope suspension hoist 406



item	reference	description	observation	Quantity
1	V4BAR01A	Shaft		1
2	4BAR03A	Sleeve		4
3	4BAR02A	Fixed point support		1
4	8150017	Washer - Ø 16		4
5	7271633Z	Split pin 6.3 x 56		4
6	1143515	Pivot shaft		1
7	8536132E	Key housing	Câble / cable - Ø 13	1
8	8536233Q	Key		1
9	7271505K	Pin 5 x 50		1
10	7333140E	Rope clamp - Ø 14		1
11	1142620	Complete pulley with bearing - Ø 330	2/3M	2
12	7422211K	Bearing	2/3M	1
13	4BAU01A	Pulley Shaft		1
14	V4BAU05A	Sleeve		3
15	830205	Securing screw for brake bar HM 8 x 25		2
16	V3SAU02A	Fixing plate		1

17	<u>400767</u>	Washer 68 x 55 x 1		1
18	<u>7211679f</u>	Screw HM12*160		2
19	<u>831510</u>	M12 thin nut		2
20	<u>832113</u>	Washers M24 - 2mm	C2	3

13) Overload protection FM, NHT, LHT (Elect. mech.)

TABLEAU DE SYNTHESE DES LIMITEURS VS4/V55/VS306/VS406
SYNTHETIC TABLES FOR VS4/V55/VS306/VS406 LIMITOR

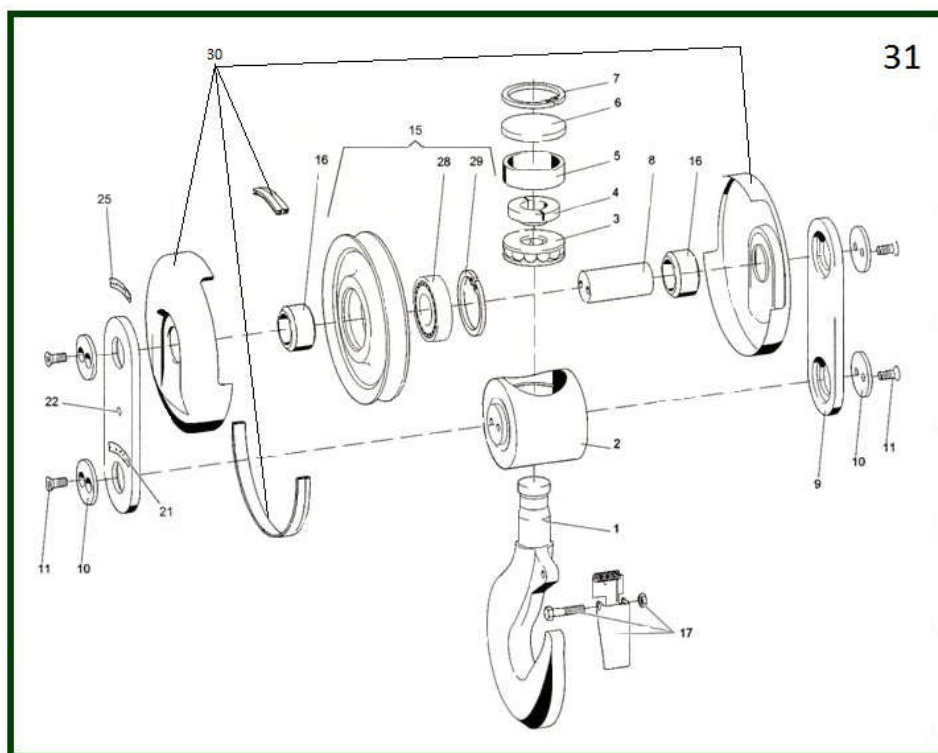
ANCIEN LIMITEUR (voir page...) OLD LIMITOR	NOUVEAU LIMITEUR (voir page...) NEW LIMITOR
1144500 VS404 HPR (44) *+ 1144501 VS402 HPR (42) *+ 1144602 VS404 HPN, Fixe (V5) *+ 1144502 VS402 HPN Fixe (2) *+ 1154502 VS502/04 Fixe HPN (V6) *+	1144500 VS404 HPR (V4) 1144501 VS402 HPR (V2) 1144602 VS404 HPN, Fixe (V5) YLS002A VS306 Gr 2M/3M - VS402...V E E YLS003A VS306 Gr 1AM - VS402 Fixe - VS406 VS506

* Les codes limiteurs sont restés les mêmes mais les composants ont changés (sauf limiteur mécanique 8111593).
 Les nouveaux composants ne se montent pas sur les anciens produits. Les anciens limiteurs ne sont plus disponibles.
 * The part numbers of the load limiter devices remained the same but the components have changed (except for mechanical load
 limiter device ref 8111593).
 The new components don't fit the old devices. Old limitors are not sold anymore. # Le capteur à effet hall (1111510) n'est plus
 disponible, dans ce cas il faut remplacer tout le limiteur.
 (Utiliser VS402 fixe et HPN ou VSS02 fixe et HPN)
 # The old sensor ref 1111510 is no longer available. In this case, the complete load limiter device has to be changed.
 (Use VS402 foot mounted and normal headroom trolley or VSS02 Foot mounted and Normal headroom trolley).
 + Les supports (1141500) limiteur mécanique ne sont plus disponible, dans ce cas il faut changer tout le limiteur. (valable pour tous
 les VS4 et les VS5)
 + The supports part n°1141500 for mechanical load limiters are no longer available. In this case, the complete load limiter has to be
 changed. some VS4 AND VS5

EXEMPLE /EXAMPLE:
 Pour commander un nouveau limiteur complet / To place an order for complete load limiter
 Prendre la référence dans le tableau de droite +lot de capteur /Select the reference in the right table + limit switch set
 (Pour VS404 HPR : avec capteur mécanique/For VS404 HPR with mechanical limit switch)
 Ex : 1144500 + 1141550

item	reference	description	observation	Quantity
1	<u>1141550</u>	Mechanical sensor set	VS306/VS404/ 2/6	1
2	<u>8111593</u>	Limit switch		1
3	<u>1141520</u>	HALL sensor kit	VS306/VS404/ 2/6	1
4	<u>LP20UFR10</u>	HALL sensor kit		1
5	<u>1113547</u>	HALL sensor	HPR/LHT VS306/VS404 2/6 - Jusqu'à mars 1999 / To march 1999	1

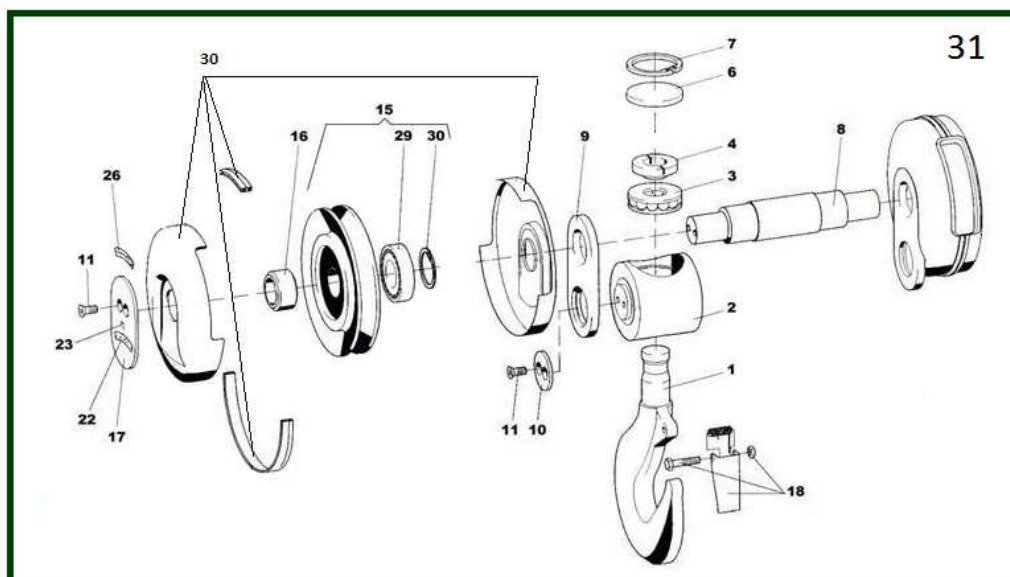
14) Lifting hook - 2 falls



item	reference	description	observation	Quantity
1	1132001	Complete hook block n°2.5		1
1	1132101	Complete hook RSN4	1AM-2/3AM Crochet + Linguet tôle / Hook + Steel plate safety latch	1
2	1132104	Beam		1
2	1122004	Beam		1
3	8150071	Thrust bearing		1
3	8130071	Thrust bearing		1
4	1132119	Locking parts		1
4	1132019	Locking parts		1
5	1132018	Safety ring		1
6	1132105	Beam cover		1
6	1132005	Beam cover		1
7	7261070T	Circlip		1
7	400080	Retaining ring for bore - Ø 90x3		1
8	1152012	Pulley shaft	2/3M	1
8	1132012	Pulley shaft		1
9	1152035	Flat bar	1AM	1
9	1132135	Flat bar		2
10	1132116	Locking plate		1
10	1112016	Plate		1
11	7216403S	Screw		8
15	1142520	Complete pulley with bearing D266	1AM	1
15	1142620	Complete pulley with bearing - Ø 330	2/3M	1
16	1152031	Bush	1AM	2
16	1132131	Bushing		2
17	33233003	Safety catch N°2.5		1
17	33433003	Safety latch n°4		1

21	<u>1142040</u>	Stickers	"VERLINDE"	2
22	<u>1142051</u>	Stickers	"FEM 1 Am"	1
22	<u>1142052</u>	Stickers	"FEM 2 Am"	1
22	<u>1142053</u>	Stickers	"FEM 3 Am"	1
25	<u>1142065</u>	Stickers 75 x 32	« 3.2 t »	1
25	<u>1142066</u>	Stickers 75 x 32	« 4 t »	1
25	<u>1142071</u>	Stickers	5 T	1
25	<u>1142072</u>	Stickers	6,3 T	1
28	<u>7422211K</u>	Bearing	2/3M	1
28	<u>8130072</u>	Bearing		1
29	<u>8150081</u>	Circlip	2/3M-VS404..5/6..R - 2/3M	1
29	<u>8130086</u>	Circlip		1
29	<u>52316931</u>	Safety latch	36312.041667	1
29	<u>52315932</u>	Safety latch plate type n°4	Après / After 06/99	1
30	<u>1152086</u>	Hook cover kit	2/3M-Demi-coquille + Joints profilés / Cover + Sealing profile	1
30	<u>1132186</u>	Hook cover kit	Demi-coquille + Joints profilés / Cover + Sealing profile	1
31	<u>1142000</u>	Complete hook block	1Am	1
31	<u>1142100</u>	Complete hook block	2/3M	1

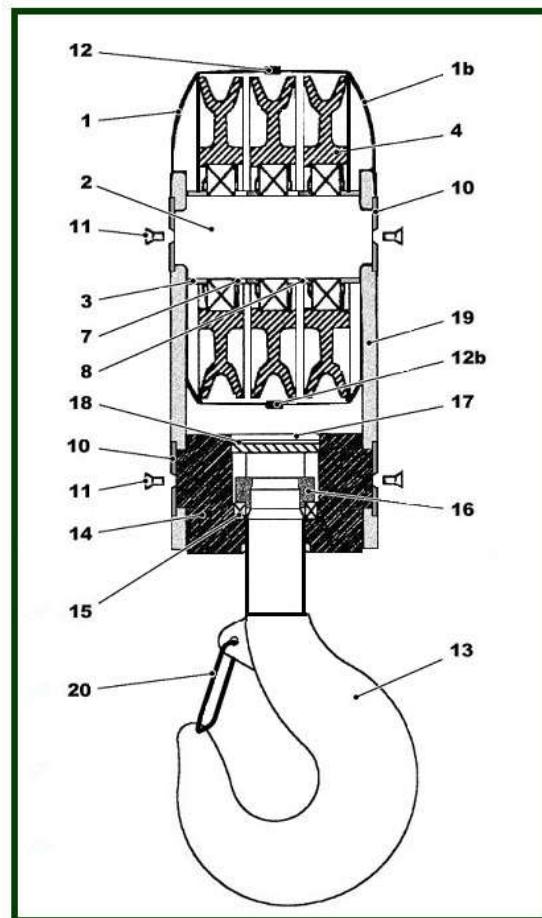
15) Lifting hook - 4 falls



item	reference	description	observation	Quantity
1	1152101	Complete hook n°4	2/3M	1
1	1132101	Complete hook RSN4	1AM-2/3AM Crochet + Linguet tôle / Hook + Steel plate safety latch	1
2	1152004	Beam	2/3M	1
2	1132104	Beam		1
3	8150074	Thrust bearing	2/3M	1
3	8150071	Thrust bearing		1
4	1152019	Locking parts	2/3M	1
4	1132119	Locking parts		1
6	1152105	Beam cover	2/3M	1
6	1132105	Beam cover		1
7	400080	Retaining ring for bore - Ø 90x3		1
7	300082	Safety ring - 110	2/3M	1
8	1152022	Pulley shaft	2/3M	1
8	1132113	Pulley shaft		1
9	1152036	Flat bar	2/3M	1
9	1132136	Flat bar		1
10	1132116	Locking plate		1
11	7216403S	Screw		1
15	1142520	Complete pulley with bearing D266	1AM	1
15	1142620	Complete pulley with bearing - Ø 330	2/3M	1
16	1152031	Bush	1AM	1
16	1132131	Bushing		1
17	1152017	Plate	2/3M	1
17	1132117	Plate		1
18	1152020	Safety catch n°5	2/3M	1
18	52315933	Safety latch	2/3M	1
18	33433003	Safety latch n°4		1
18	52315932	Safety latch plate type n°4	Après / After 06/99	1
22	1142040	Stickers	"VERLINDE"	1
23	1142051	Stickers	"FEM 1 Am"	1
23	1142052	Stickers	"FEM 2 Am"	1

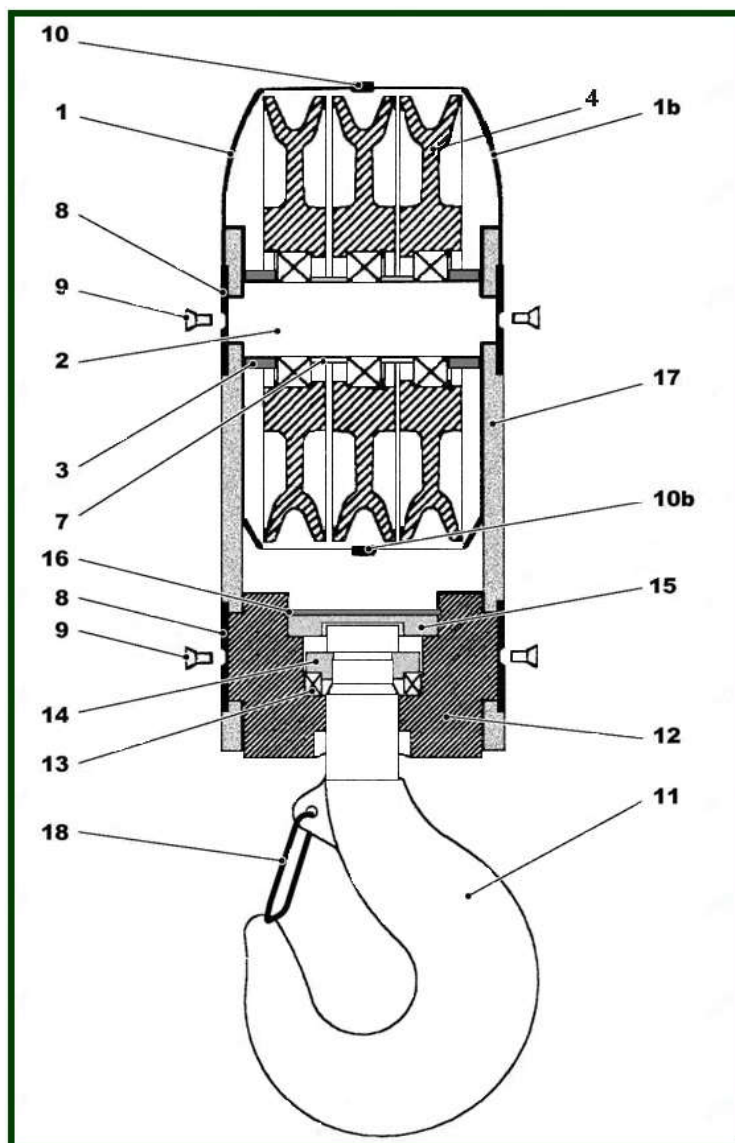
23	<u>1142053</u>	Stickers	"FEM 3 Am"	1
26	<u>1142071</u>	Stickers	5 T	1
26	<u>1142072</u>	Stickers	6,3 T	1
26	<u>1142073</u>	Stickers	8 T	1
26	<u>1152074</u>	Stickers	"10 T"	1
26	<u>1152075</u>	Stickers	"12,5 T"	1
28	<u>7422211K</u>	Bearing	2/3M	1
28	<u>8130072</u>	Bearing		1
29	<u>8150081</u>	Circlip	2/3M-VS404..5/6..R - 2/3M	1
29	<u>8130086</u>	Circlip		1
30	<u>1152086</u>	Hook cover kit	2/3M-Demi-coquille + Joints profilés / Cover + Sealing profile	1
30	<u>1132186</u>	Hook cover kit	Demi-coquille + Joints profilés / Cover + Sealing profile	1
31	<u>1142002</u>	Complete hook block	1AM	1
31	<u>1142102</u>	Complete hook block	2/3M	1

16) Lifting hook - 6 falls hoisting gear type N



item	reference	description	observation	Quantity
1	V4HA641A	½ cover rope sheave		1
1b	V4HA642A	½ cover rope sheave		1
2	V4HA608A	Pulley shaft		1
3	6BAU03	Bushing		2
4	6P4000	Return pulley complet		1
7	6HC508A	Bushing		2
8	6HCS09	Bushing		1
10	1132116	Locking plate		1
11	7216403S	Screw		24
12	1152007	Seal cover	1Am - Lg 105 mm	1
12b	1152008	Seal cover	1Am - Lg 433 mm	1
13	5HA001B	Hook + latchhook block		1
14	V4HA607A	Bottom block body		1
15	8150074	Thrust bearing	2/3M	1
16	5HA005B	Safety Ring		1
17	5HA015A	Cover		1
18	400080	Retaining ring for bore - Ø 90x3		1
19	V4HA603A	Flat bar		2
20	23233001	Safety catch		1
-	V4A6N00A	Complete hook 18t réducteur N	VS406...NN4	1

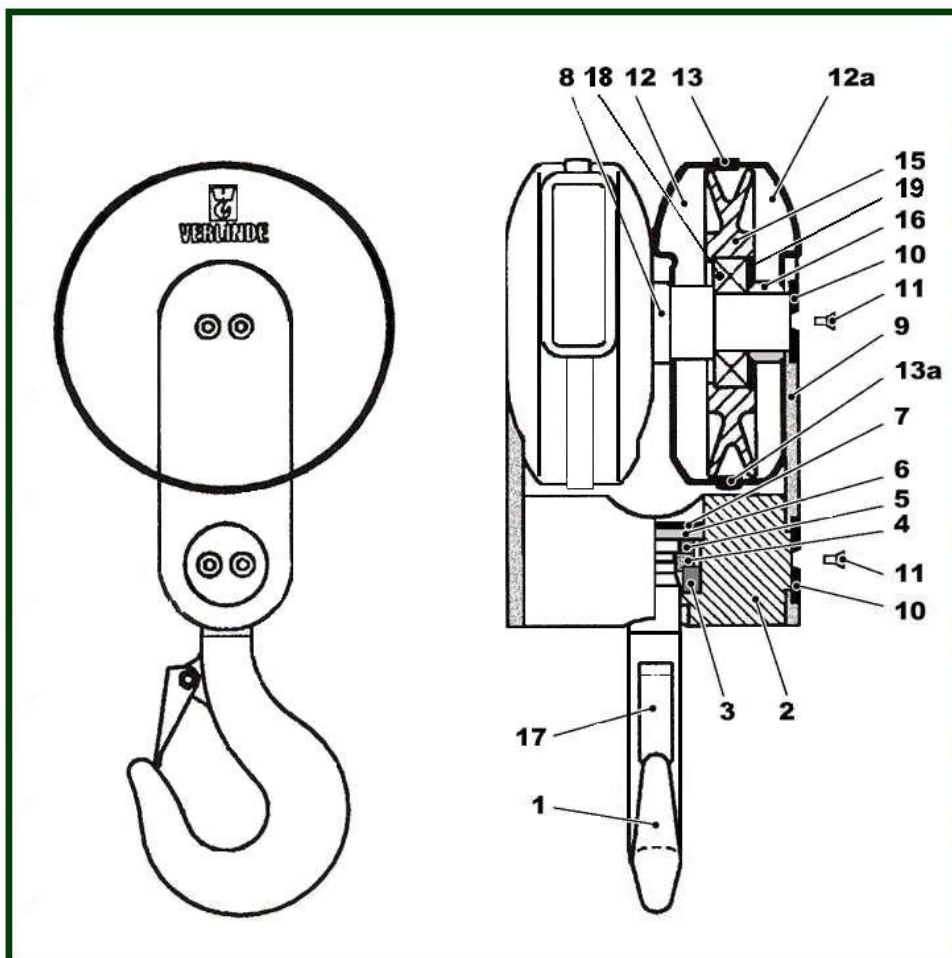
17) Lifting hook, 6 falls, hoisting gear type L-R



item	reference	description	observation	Quantity
1	V4HA641A	½ cover rope sheave		1
1b	V4HA642A	½ cover rope sheave		1
2	V4HA602A	Pulley shaft		1
3	V4HA605A	Bushing		2
4	1142620	Complete pulley with bearing - Ø 330	2/3M	1
7	V4BAU06A	Bushing		2
8	1132116	Locking plate		1
9	7216403S	Screw		4
10	1152007	Seal cover	1Am - Lg 105 mm	1
10b	1152008	Seal cover	1Am - Lg 433 mm	1
11	1152101	Complete hook n°4	2/3M	1
12	V4HA601A	Bottom block body		1
13	8150074	Thrust bearing	2/3M	1
14	1152019	Locking parts	2/3M	1
15	1152105	Beam cover	2/3M	1

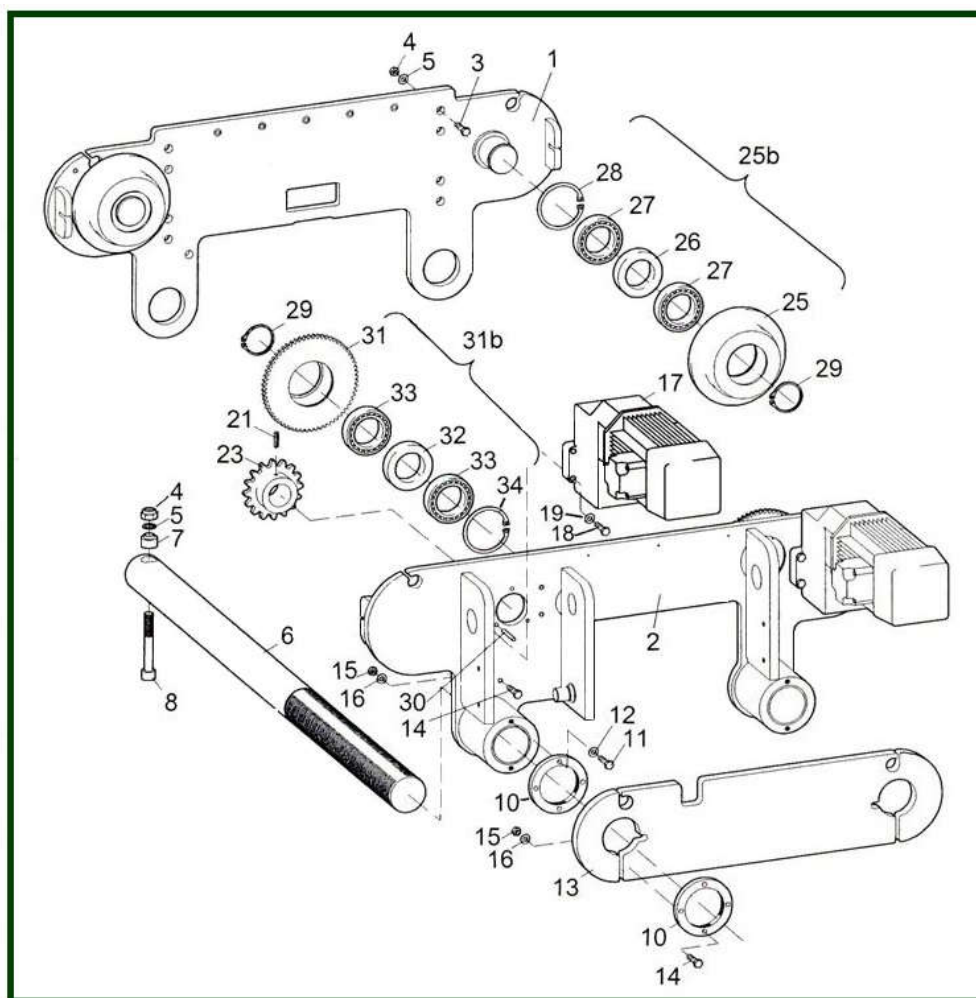
16	<u>7261110L</u>	Interior circlip 110	DA-RD	1
17	<u>V4HA603A</u>	Flat bar		2
18	<u>1152020</u>	Safety catch n°5	2/3M	1
18	<u>52315933</u>	Safety latch	2/3M	1
19	<u>7422211K</u>	Bearing	2/3M	3
20	<u>8150081</u>	Circlip	2/3M-VS404..5/6..R - 2/3M	1
-	<u>V4A6000A</u>	Complete hook block	VS406... LN3 / RN4	1

18) Lifting hookblock true vertical 4/2



item	reference	description	observation	Quantity
1	1132001	Complete hook block n°2.5		1
2	VS40176A	Beam		1
3	8130071	Thrust bearing		1
4	1132019	Locking parts		1
5	1132018	Safety ring		1
6	1132005	Beam cover		1
7	7261070I	Circlip		1
8	VS40175A	Shaft		1
9	1132135	Flat bar		2
10	1112016	Plate		4
11	7216403S	Screw		8
15	1132620	Pulley with bearing - Ø 265	15+30+31	1
16	1132131	Bushing		1
17	33233003	Safety catch N°2.5		1
18	8130072	Bearing		2
19	8130086	Circlip		2
-	VS40174A	Hookblock		1
-	1132186	Hook cover kit	Demi-coquille + Joints profilés / Cover + Sealing profile	2
-	52315931	Safety catch plate type N°2.5	Après / After 06/99	1

19) Low headroom trolley



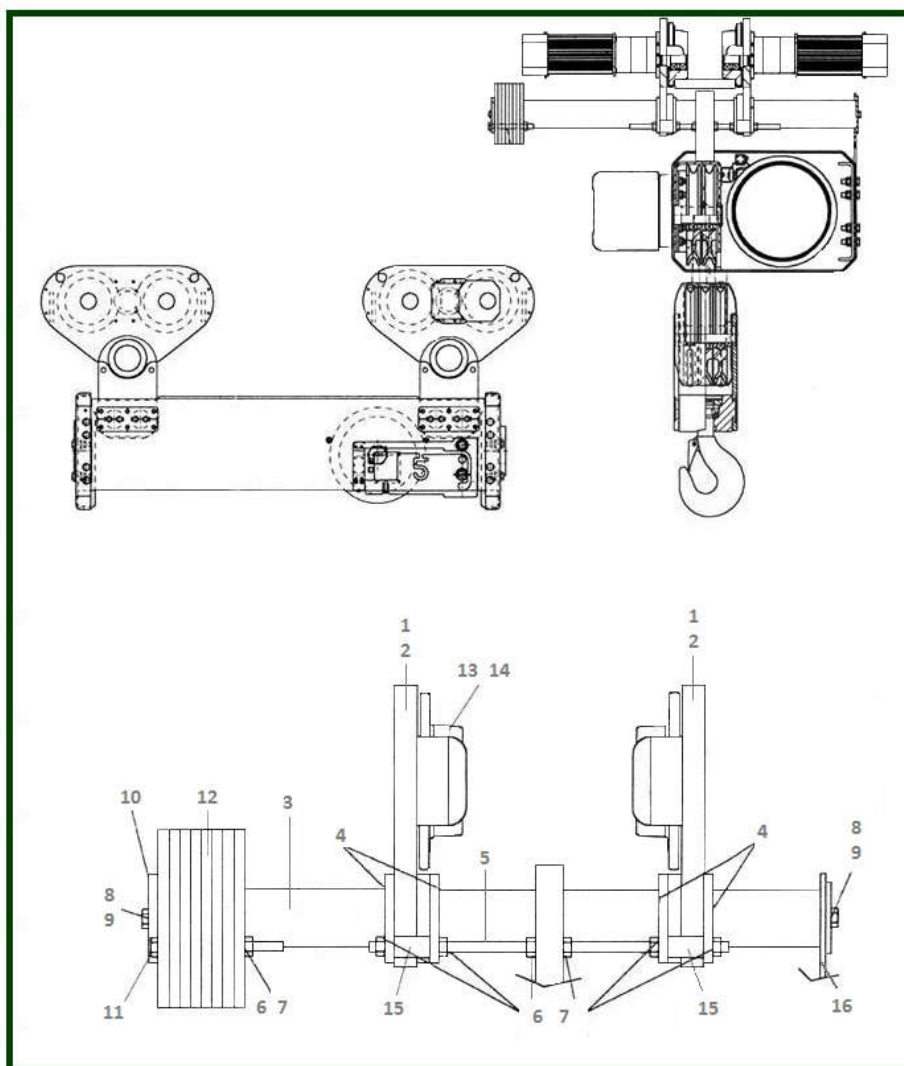
item	reference	description	observation	Quantity
1	1143511	Side plate	(*) VS4...R....B	1
1	1143611	Side plate	(*) VS4...R....D	1
2	1143514	Rope anchorage suspension	VS402...RB	1
2	1143614	Rope anchorage suspension	VS402...RD	1
3	830611	HM screw	PRC3	8
4	831517	HM nut - H M16	PRC3 - C1	12
5	7151642Z	M16 Washer		20
6	1143541	Threaded bar*		2
7	1143542	Bushing		4
8	8011611	Screws		1
9	1145051	Side plate - lg 646	(*) VS4...R....B	2
9	1145151	Side plate - lg 926	(*) VS4...R....D	1
10	1143543	Ring		4
11	830426	Screws		1
12	7232120A	Grower washer (12)	D & DA & RD	6
13	1143648	Counterweight*	VS4...R..D	1
13	1143548	Counterweight*	VS4...R..B	1
14	7211678F	Screws		2
15	831512	Nut		1

16	<u>7231122R</u>	Washer MU12		4
18	<u>8011550</u>	Screw		4
19	<u>7232100D</u>	GROWER washer M10	DIN12 Standard - Frein automatique/Automatic brake	1
21	<u>7273458H</u>	Pin		1
23	<u>1113532</u>	Drive wheel - 19 th		2
25b	<u>1143519</u>	Idle wheel set	VB 16 D : 160 mm	1
29	<u>7261072V</u>	Circlip		1
30	<u>8110059</u>	Dowell		6
31b	<u>1143508</u>	Driving wheel set	VB16 D : 160 mm	1
32	<u>1143501</u>	Bushing		2
33	<u>8150070</u>	Bearing		4
34	<u>300081</u>	Interior circlip	D & DA & RD - 100 I	2
35	<u>1145036</u>	Control box fixing plate		1
36	<u>1145035</u>	Bracket		4
37	<u>1143566</u>	Limit switch assembly travel		1
38	<u>7541312D</u>	Travel limit switch	C1-C2-C3	1

20) Normal headroom trolley

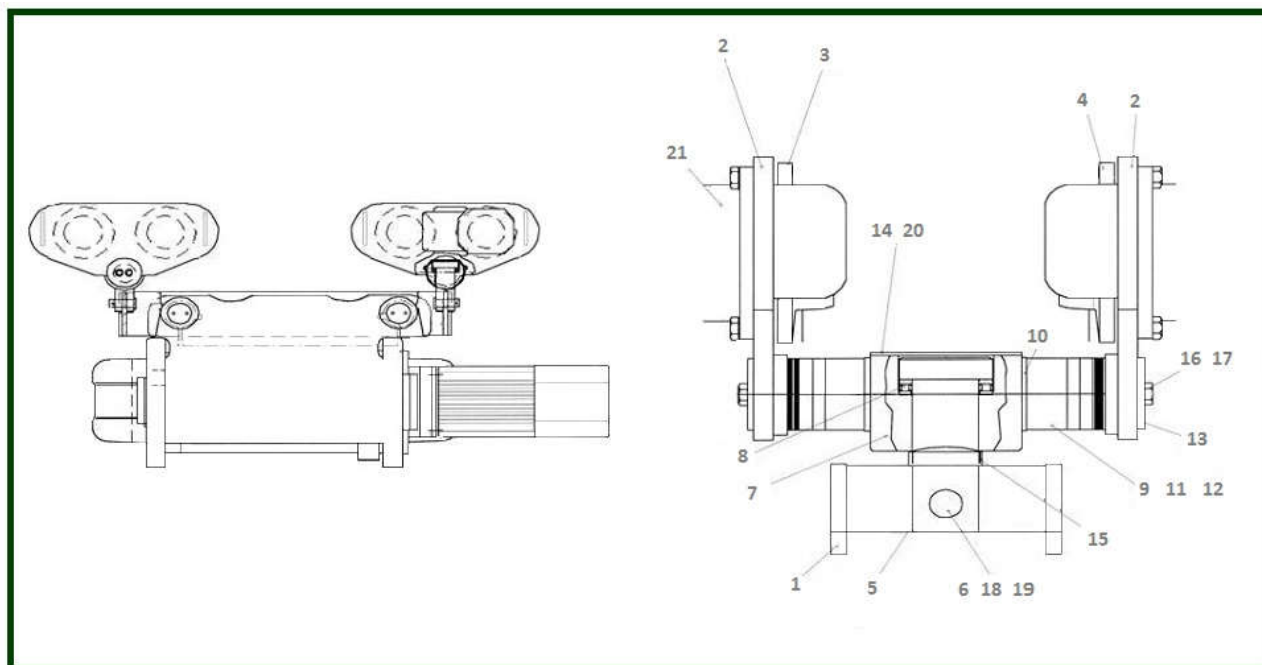
item	reference	description	observation	Quantity
1	1134531	Side plate		2
1a	1144514	Side plate	VS4...N..B	1
1a	1144614	Side plate	VS4...N..D	1
1b	1144517	Side plate NHT - lg 646	(*) VS4...N...B	1
1b	1144617	Side plate NHT - lg 926	(*) VS4...N...D	1
3	1134541	Tie rod		2
3	1134542	Tie rod		2
4	1144543	Locking plate and screw		2
5	8011550	Screw		8
6	7232100D	GROWER washer M10	DIN12 Standard - Frein automatique/Automatic brake	8
7	1144505	Bar	Lg 250	8
8	831512	Nut		16
9	1134511	Bushing		8
10	1134545	Locking plate		8
11	Suite	Travelling motorgear	GS3...RP+MF07	2
12	1113532	Drive wheel - 19 th		2
13	7273458H	Pin		2
14	7261072V	Circlip		8
15	8110081	Bearing		16
16	400078	Exterior circlip Ø 35	C2	4
17	8110059	Dowell		6
18b	1133508	Geared travel wheel	Chariot 1 GMR (2) - Chariot 2 GMR (4) - VB13 - Ø 125mm	1
19b	1133507	Ungeared wheel	Chariot 1 GMR (2) - Chariot 2 GMR (4) - VB13 - Ø 125mm	1
-	1144566	Limit switch assy (travel)	14+15+19	1
-	7541312D	Travel limit switch	C1-C2-C3	1

21) Normal headroom trolley 406



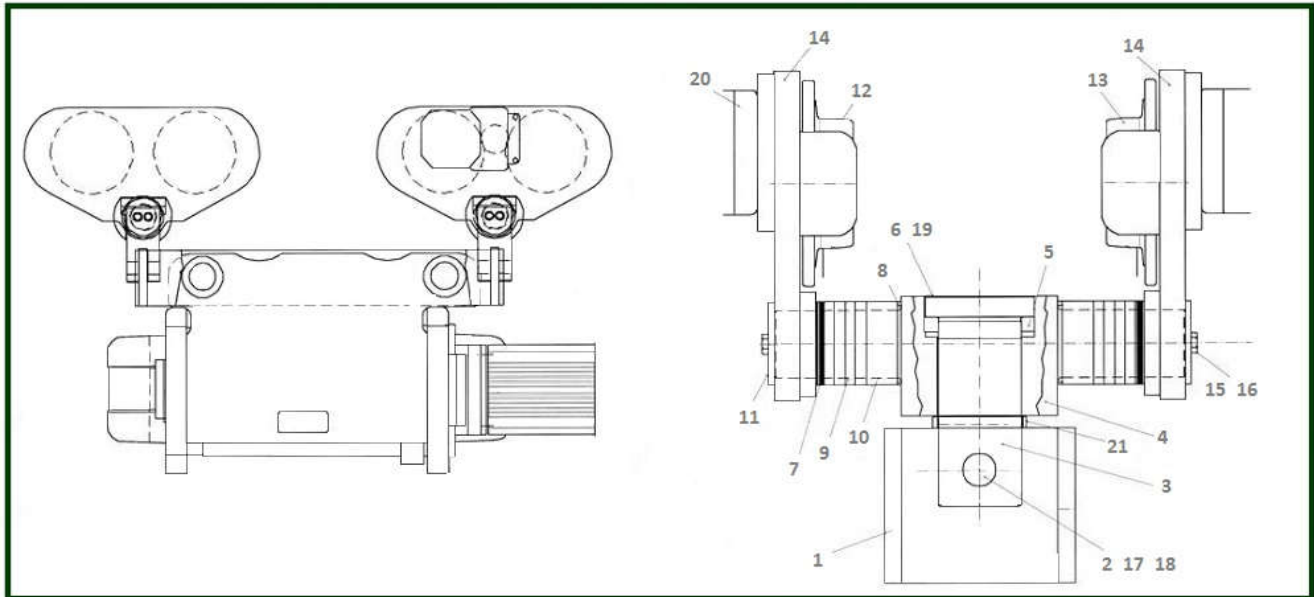
item	reference	description	observation	Quantity
1	1154531	Flange	A la commande / On order	4
3	V4NB602A	HPN 406 shaft		2
4	1144545	Clamping plate		8
5	1114508	Screw rod - M16 Lg 350		4
6	831517	HM nut - H M16	PRC3 - C1	28
7	7232160V	Washer M16		1
8	830425	HM screw 12 x 30		4
9	8130018	M12 flat washer	Vis à coller	1
10	V5NA003A	Tie rod stop	A la commande / On order	2
11	7211827T	HM screw 16 x 140		4
12	V4NB603A	Counterweight	A la commande / On order	1
13	1143508	Driving wheel set	VB16 D : 160 mm	4
14	1143519	Idle wheel set	VB 16 D : 160 mm	4
15	1144511	Beam		8
16	V4NB601A	Locking plate support		2

22) Swivelling trolley



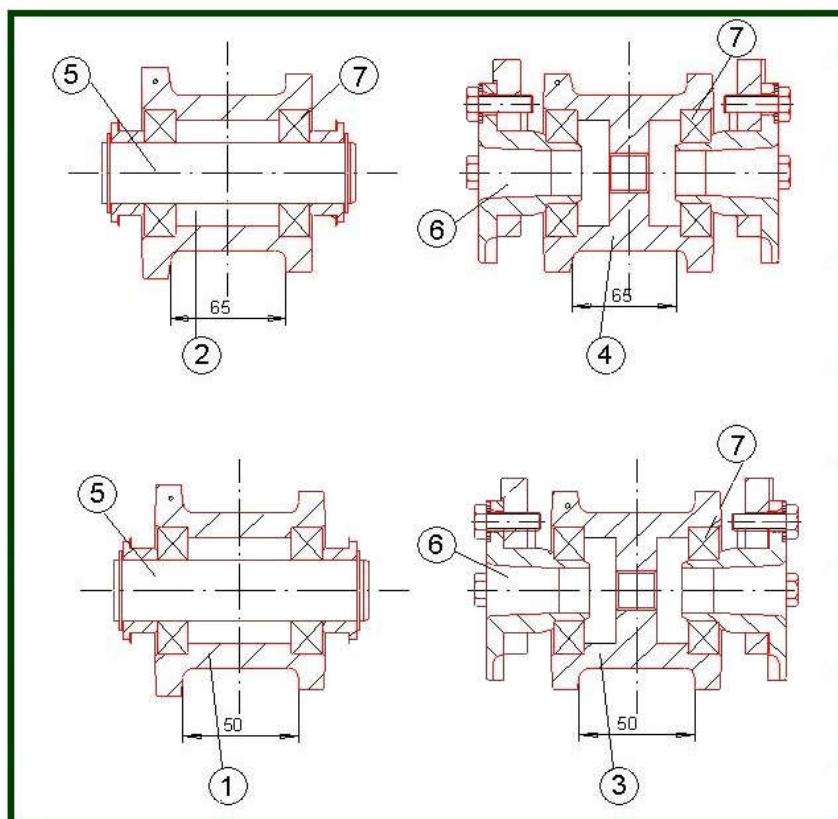
item	reference	description	observation	Quantity
1	V1RAB02A	Beam	VS4...OB	1
1	NCVS4T	Beam	VS4...OD	1
2	1114531	Motor side plate		2
3	1113507	Idle wheel set - Ø 100	VB10D:100mm - VB10D - VS2..R..O (VSX) 2 roulements + 1 circlip + 1 galet porteur 2 Bearings + 1 circlip + 1 geared wheel	4
4	1113508	Driving wheel set - Ø 100	VB10D:100mm - VB10D - VS2..R..O (VSX) 2 roulements + 1 circlip + 1 galet moteur 2 Bearings + 1 circlip + 1 geared wheel	4
5	1139002	Pivoting shaft		2
6	1143515	Pivot shaft		2
7	1139003	Pivot tie rod		1
8	51110	Thrust ball bearing		1
9	1139007	Adjustement sleeve		40
10	V1RAB18A	Sleeve - th. 4		4
11	1139008	Sleeve - th. 10		8
12	1139108	Sleeve - th. 30		4
13	1139006	End washer		1
14	1139005	Cover		2
15	V1RAB17A	Stabilizing washer		1
16	830205	Securing screw for brake bar HM 8 x 25		8
17	7232081H	Washer		1
18	8150095	Split pin		4
19	832113	Washers M24 - 2mm	C2	1
20	7211151H	Screw		8
21	Suite	Travelling motorgear	GS3...RP+MF07	2

23) Swivelling trolley 4/1 and 2/1



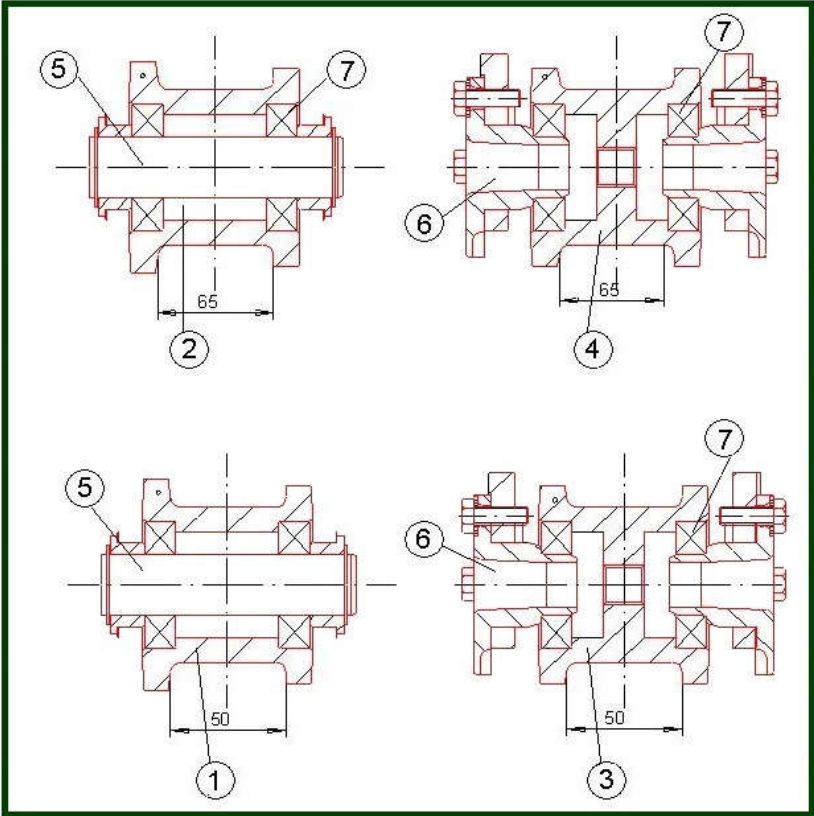
item	reference	description	observation	Quantity
1	V4RAB13A	Beam	VS4...OD&OE	1
2	V4RAB14A	Pivot shaft		2
3	V4RAB15A	Shaft		1
4	V4RAB16A	Pivot tie rod		1
5	51116	Thrust rollerbearing		1
6	V4RAB17A	Cover		1
7	V4RAB18A	Adjustment sleeve		48
8	V4RAB19A	Sleeve - th. 4		8
9	V4RAB20A	Sleeve - th. 10		16
10	V4RAB21A	Sleeve - th. 30		8
11	V4RAB22A	End washer		4
12	1133508	G geared travel wheel	Chariot 1 GMR (2) - Chariot 2 GMR (4) - VB13 - Ø 125mm	1
13	1133507	Ung geared wheel	Chariot 1 GMR (2) - Chariot 2 GMR (4) - VB13 - Ø 125mm	1
14	1134531	Side plate		1
15	830425	HM screw 12 x 30		8
16	7231122R	Washer MU12		1
17	831662	Pin		4
19	7211151H	Screw		8
20	Suite	Travelling motorgear	GS3...RP+MF07	2
21	V1RAB23A	Stabilizing washer		2
22	1113532	Drive wheel - 19 th		2

24) Double girder trolley hoist 4/1 et 2/1



item	reference	description	observation	Quantity
1	<u>NC SVP11</u>	End carriage	VS402	2
1	<u>NC SVP14</u>	End carriage	VS402 / VP11 - VS404 / VP14 - VS502 VS504 < 16T	2
2	<u>15503001</u>	Driving wheel set - ø 90 - G50	VS302..F - VS402 A partir / Since 1999	2
2	<u>15503005</u>	Driving wheel set - ø 90 - G65	VS302..F - VS402 A partir / Since 1999	2
2	<u>15803005</u>	Driving wheel set - ø 110 - G65	VP11 - VS304..F - VS402	2
2	<u>25803001</u>	Driving wheel set - ø 140 - G50	VS404 / VP14 - VS502 VS504 < 16T	2
2	<u>25803005</u>	Driving wheel set - ø 140 - G65	VS404 / VP14 - VS502 VS504 < 16T	2
3	<u>15503006</u>	Travel wheel set ø 90 - G65	VS202/VP9 - VS302..F - VS402 A partir / Since 1999	1
3	<u>15503003</u>	Travel wheel set - ø 90 - G50	VS202/VP9 - VS302..F - VS402 A partir / Since 1999	1
3	<u>15803003</u>	Travel wheel set - ø 110 - G50	VS402 / VP11 - VS204	1
3	<u>15803006</u>	Travel wheel set - ø 110 - G65	VS402 / VP11 - VS204	1
3	<u>25803003</u>	Travel wheel set - ø 140 - G50	VS404 / VP14 VS502 VS504 < 16T	1
3	<u>25803006</u>	Travel wheel set - ø 140 - G65	VS404 / VP14 VS502 VS504 < 16T	1
4-5-6	<u>15503007</u>	Buffer set		4
7	<u>NC TRA</u>	Beam set		1
9	<u>NC MREDD VS4</u>	Travelling motorgear		1
10	<u>1137231</u>	Coupling	VS402 < 25mm	2
-	<u>1137230</u>	Splined shaft	VS402 < 25mm	1

25) Double girder trolley wheel set 4/1 and 2/1



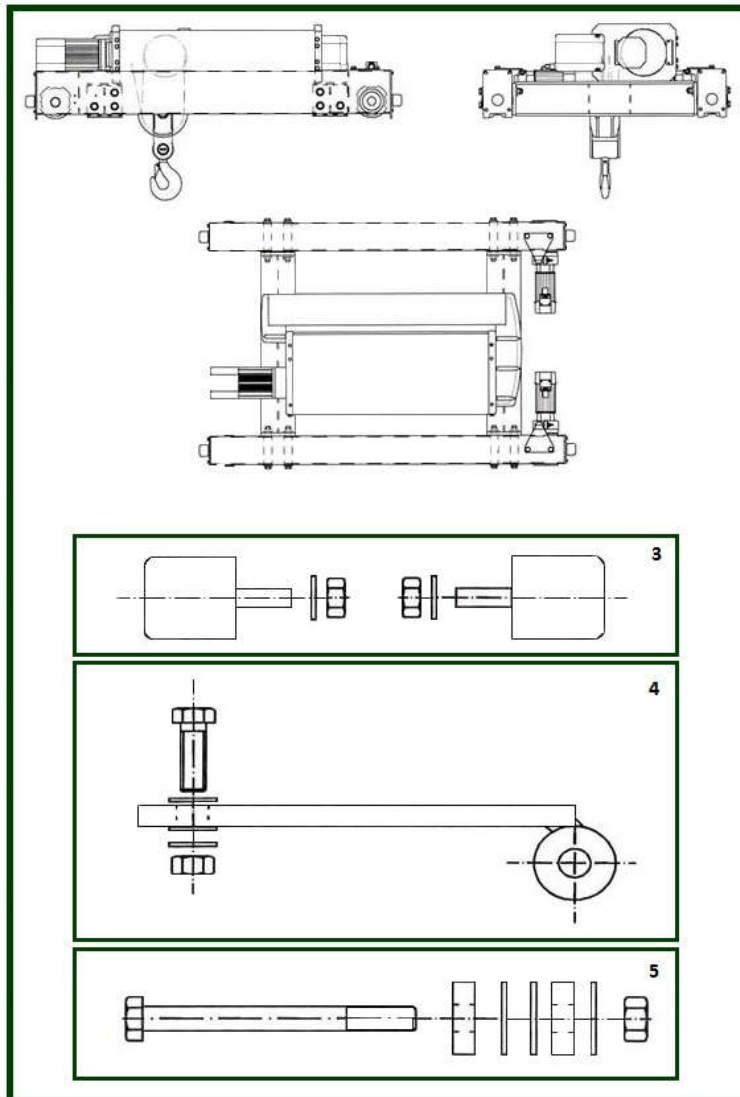
25.1) VS 404-1

item	reference	description	observation	Quantity
1	<u>25803003</u>	Travel wheel set - ø 140 - G50	VS404 / VP14 VS502 VS504 < 16T	1
3	<u>25803006</u>	Travel wheel set - ø 140 - G65	VS404 / VP14 VS502 VS504 < 16T	1
5	<u>25803001</u>	Driving wheel set - ø 140 - G50	VS404 / VP14 - VS502 VS504 < 16T	1
6	<u>25803005</u>	Driving wheel set - ø 140 - G65	VS404 / VP14 - VS502 VS504 < 16T	1
11	<u>25803007</u>	Shaft travel wheel	VP14 - VS404 - VS502 - VS504 < 16T	1
13	<u>25803002</u>	Bearing flange set	VP14 - VS404 - VS502 - VS504 < 16T	1
14	<u>7412112U</u>	Bearing compl.	VP14 - VS404 - VS502 - VS504 < 16T	2

25.2) VS 402-1 / VS 404-2

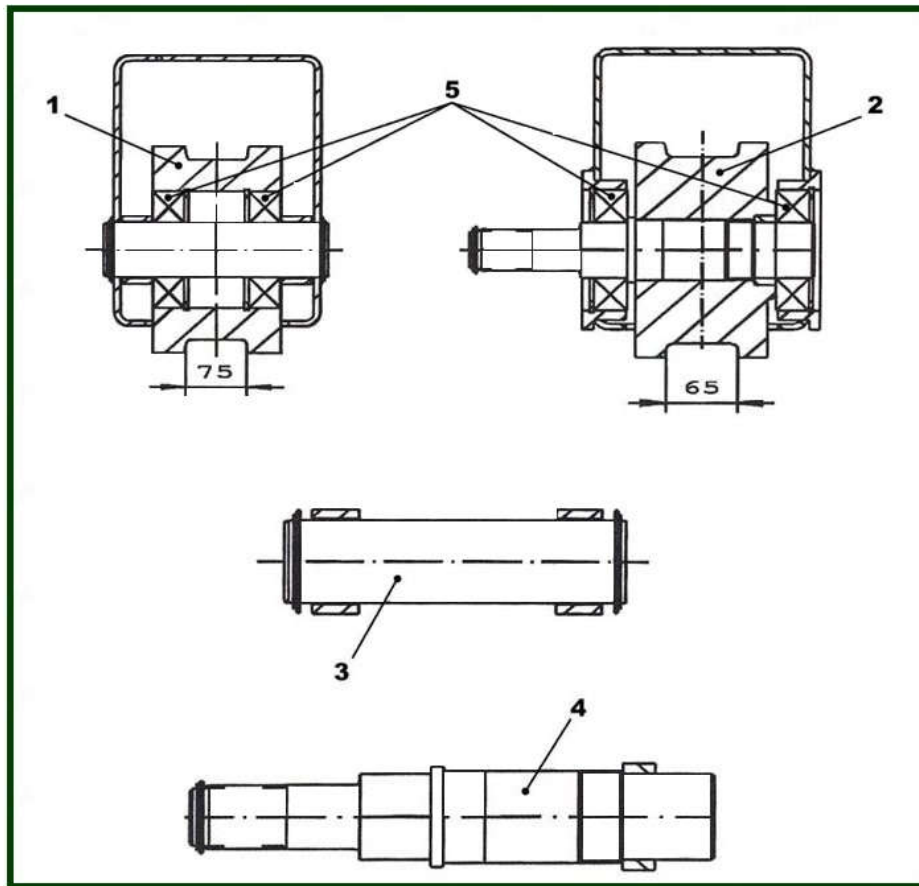
item	reference	description	observation	Quantity
1	<u>15803003</u>	Travel wheel set - ø 110 - G50	VS402 / VP11 - VS204	1
2	<u>15803006</u>	Travel wheel set - ø 110 - G65	VS402 / VP11 - VS204	1
3	<u>15803001</u>	Driving wheel set - ø 110 - G50	VP11 - VS304..F - VS402	1
4	<u>15803005</u>	Driving wheel set - ø 110 - G65	VP11 - VS304..F - VS402	1
5	<u>15803004</u>	Shaft travel wheel	VP11 - VS304 - VS402	1
6	<u>15803002</u>	Bearling-flangeset	VP11 - VS304 - VS402	1
7	<u>7413082Y</u>	Bearing	VP11 - VS304	2

26) Double girder trolley 406



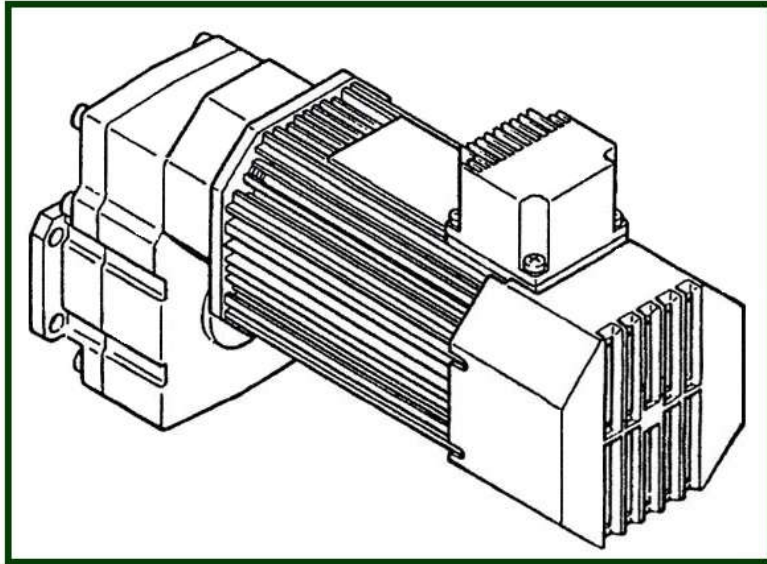
item	reference	description	observation	Quantity
3	<u>7911001Q</u>	Buffer set - Ø 100		4
4	<u>35803007</u>	Support arm assy		2
5	<u>35803008</u>	Motorgearbox fixings	GM4	2

27) Double girder trolley wheel set 6/1



item	reference	description	observation	Quantity
1	35803003	Travel wheel set - Ø 200 - G65	VS502/VS504 < 16t	2
1	35803006	Travel wheel set - Ø 200 - G75	VS502/VS504 < 16t	2
2	35803001	Driving wheel set - Ø 200 - G65	VS502/VS504 < 16t	2
2	35803005	Driving wheel set - Ø 200 - G75	VS502/VS504 < 16t	2
3	35803004	Idle shaft set	VS5 - XS5	1
4	35803002	Geared shaft set	VS5 - XS5	1
5	7412070M	Bearing	VS5 - XS5	8

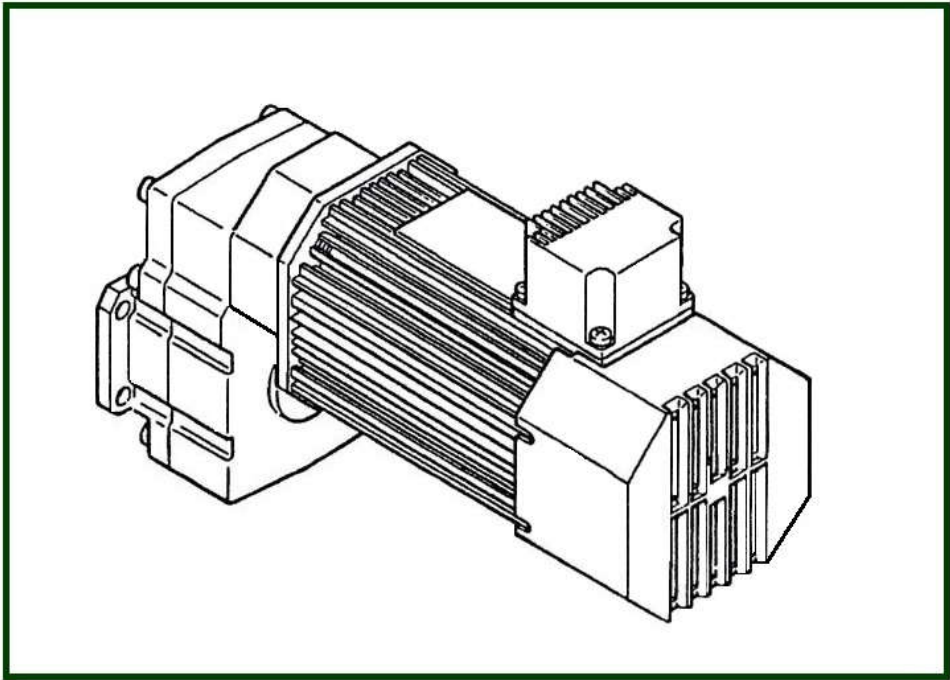
28) Travelling motor



28.1) For NHT and LHT monorail hoist

item	reference	description	observation	Quantity
	<u>1113532</u>	Drive wheel - 19 th		1
	<u>NCVS4GCE</u>	External chain guide	Not supplied anymore replaced by 52309591	1
	<u>7273458H</u>	Pin		1
-	<u>1117510</u>	Gearbox GS115RPC	Vitesse / Speed 20/5 Après avril 1999 / After april 1999	1
-	<u>1117509</u>	Gearbox GS120RPC		1
-	<u>1117504</u>	Gearbox GS315RPC	Vitesse / Speed 20/5	1
-	<u>1117505</u>	Gearbox GS320RPC		1
-	<u>1117507</u>	Gearbox GS332RPC	Vitesse / Speed 10/2,5	1
-	<u>1117508</u>	Gearbox GS340RPC		1
-	<u>25808104P</u>	Travelling motor MF07LA14 3000/750-415V/50Hz-W415V-0,25/0,06KW	Prise plastique après avril 1999 Plastic plug after april 1999	1
-	<u>25808104</u>	Travelling motor MF07LA14 3000/750-415V/50Hz-W415V-0,25/0,06KW	Prise Wieland avant avril 1999 Wieland plug before april 1999 GS315RPC : VS304<5T & VS306	1
-	<u>25808102P</u>	Travelling motor MF07LA104 3000/750-220V/50Hz-0,25/0,06KW	Prise plastique après avril 1999 Plastic plug after april 1999 GS315RPC : VS304<5T & VS306	1
-	<u>25808102</u>	Travelling motor MF07LA104 3000/750-220V/50Hz-0,25/0,06KW	Prise Wieland avant avril 1999 Wieland plug before april 1999 GS315RPC : VS304<5T & VS306	1
-	<u>25808103</u>	Travelling motor MF07LA104 3000/750-380V/50Hz-0,25/0,06KW	Prise Wieland avant avril 1999 Wieland plug before april 1999 GS315RPC : VS304<5T & VS306	1
-	<u>25808103P</u>	Travelling motor MF07LA104 MF07LA104-3000/750- 380V/50Hz-0,25/0,06KW	Prise plastique après avril 1999 Plastic plug after april 1999 GS315RPC : VS304<5T & VS306	1
-	<u>25808302</u>	Travelling motor MF07LB104 3000-750t/mn-220V/50Hz - 0.45/0.11Kw	Prise Wieland avant avril 1999 Wieland plug before april 1999 GS332RPC : VS306 - GS315RPC : VS306 6,3T	1
-	<u>25808302P</u>	Travelling motor MF07LB104 3000-750t/mn-220V/50Hz - 0.45/0.11KW	Prise plastique après avril 1999 Plastic plug after april 1999 GS332RPC : VS306 - GS315RPC : VS306 6,3T	1
-	<u>25808303P</u>	Travelling motor MF07LB104 3000-750t/mn-380-400V/50Hz - 0.45/0.11KW	Prise plastique après avril 1999 Plastic plug after april 1999 GS332RPC : VS306 - GS315RPC : VS306 6,3T	1
-	<u>25808303</u>	Travelling motor MF07LB104 3000-750t/mn-380-400V/50Hz - 0.45/0.11KW	Prise Wieland avant avril 1999 Wieland plug before april 1999 GS332RPC : VS306 - GS315RPC : VS306 6,3T	1
-	<u>25808304P</u>	Travelling motor MF07LB104 3000-750t/mn-415V/50Hz - 0.45/0.11KW	Prise plastique après avril 1999 Plastic plug after april 1999 GS332RPC : VS306 - GS315RPC : VS306 6,3T	1
-	<u>25808304</u>	Travelling motor MF07LB104 3000-750t/mn-415V/50Hz - 0.45/0.11KW	Prise Wieland avant avril 1999 Wieland plug before april 1999 GS332RPC : VS306 - GS315RPC : VS306 6,3T	1
-	<u>25808112</u>	Travelling motor MF07S104 3000-750t/mn - 0.20/0.05kw - 230V/50Hz	Prise plastique après avril 1999 Plastic plug after april 1999 VS302	1
-	<u>25808113</u>	Travelling motor MF07S104 3000-750t/mn - 0.20/0.05kw - 400v/50Hz	Prise plastique après avril 1999 Plastic plug after april 1999 VS302	1

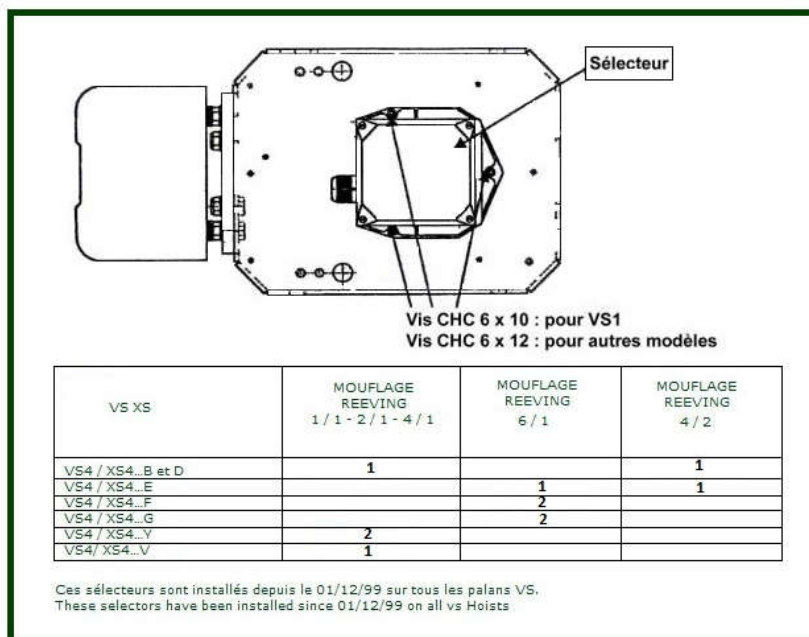
28.2) For birail hoist



29) Electric parts

item	reference	description	observation	Quantity
-	1113014	Auxiliary block		1
-	1113012	Auxiliary block		1
-	1113007	Auxiliary contact LA1D20	7536314W	4
-	1113044	Brake rectifier ESD141 For main voltage 230V to 690V	Moteur / Motor P6 à/to P9	1
-	1115062	Brake rectifier REC12 For main voltage 230V to 690V	Moteur/Motor P1 à/to P5	1
-	1113077	Circuit breaker		1
-	1113078	Circuit breaker		1
-	1113003	Circuit breaker		1
-	1113005	Circuit breaker	GV2ME07 - AF7	1
-	1113121	Complete lifting unit		1
-	7531425G	Contacteur		1
-	1113018	Contacteur	Frein/Brake	1
-	8812152B	Control cable	16x1,5 mm ²	1
-	7691114G	Counter cover		1
-	1113094	Counter support		1
-	7575304B	Fuse 4A		1
-	7575306D	Fuse 6AM		1
-	7573242K	Fuse support	BC31	1
-	1113125	Hour counter - 48V-50Hz		1
-	1113113	Limit switch	Jusqu'à / To 30/11/99	2
-	1113030	Main contactor - 400V/48V- LC1D50E7	Moteur / Motor P7 - N4 - O-K1	1
-	1103001	Monitor+connectors	CU1	1
-	1113101	Monitor+transformer	CU1	1
-	1113043	Motor protector - 48V	MSL 48C	1
-	1113071	Motor protector - 115V	MSL 115C	1
-	1113072	Motor protector - 230V	MSL 230C	1
-	834490	Push button	2VL+2VD+AU / 2HS+2CT+ES	1
-	1113023	Reversing contactor	400V-48V Levage + direction/Hoisting cross travelling LC2ECO9E (7531023V)	1
-	1113021	Selector contactor	48V	1
-	1113029	Slow and high speed contactor 400V/48V - LC1D258E	Moteur / Motor P4-P5 -7532324J	1
-	1113073	Stopping controller ESD138A - 230V	Moteur / Motor P6 à/to P9 - AD9	1
-	1123056	Stopping controller ESD138B - 115V	Moteur / Motor P6 à/to P9 - AD9	1
-	1113056	Stopping controller ESD138C - 48V	Moteur / Motor P6 à/to P9 - NA AD9	1
-	1113051	Transformer		1
-	7541312D	Travel limit switch	C1-C2-C3	1

30) Mounting and choosing the came selector



item	reference	description	observation	Quantity
1	<u>GTES67DZM</u>	Rotating limit switch - 4C	XS2 - VS2...C et Z 1/1-2/1-4/1 Depuis/Since 01/12/99	1
2	<u>GTES110DZM</u>	Rotating limit switch - 4C	VS2...C et Z 1/1 - 2/1 - 4/1 - Depuis/Since 01/12/99	1