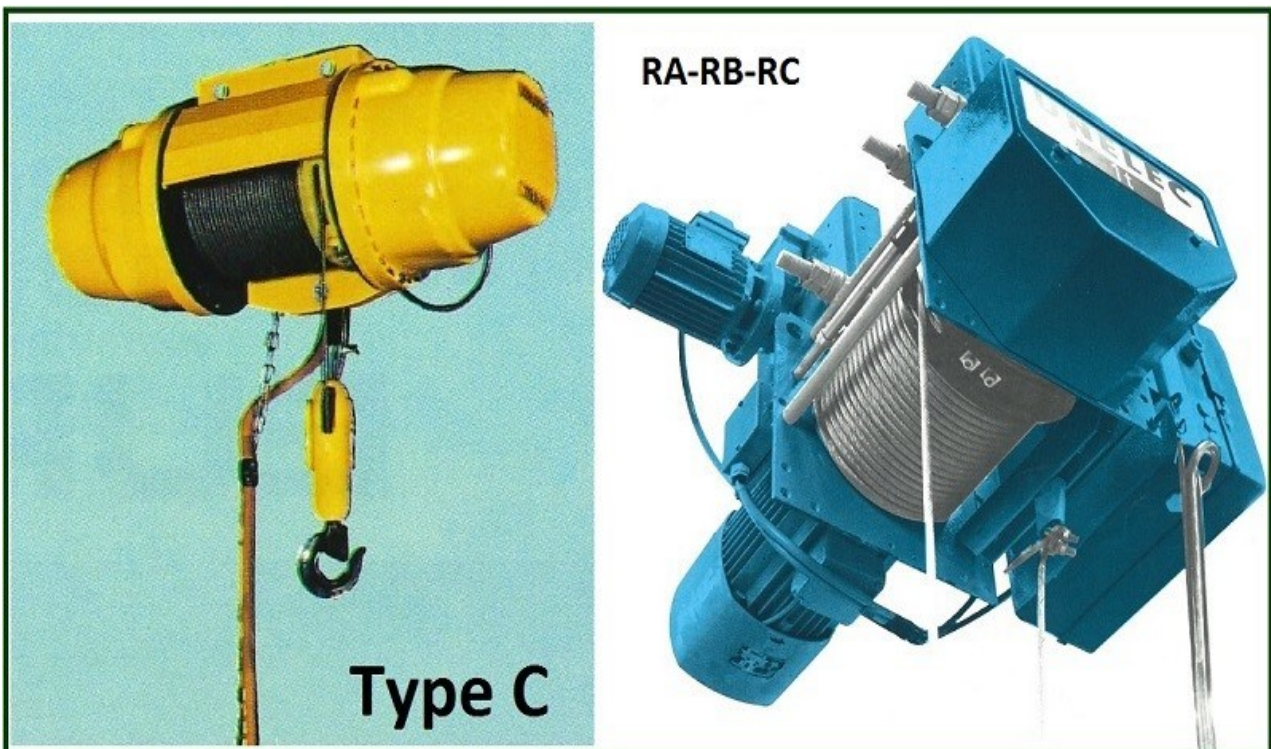


## Spare parts catalog for "C - RA-RB-RC"

To avoid errors, when ordering please specify:

- Complete type of hoist
- Date of manufacture and serial number
- Spare part code
- Spare part designation
- Additional information



0. HOIST DESCRIPTION.....	3
1. MOTOR / GEARBOX .....	4
1.1. Eurobloc C.....	5
1.2. RA-RB-RC.....	7
2. COVER / SWL plate.....	9
2.1. EUROBLOC C .....	10
2.2. RA - RB - RC .....	12
3. HOISTING GEARBOX.....	13
3.1. EUROBLOC C .....	14
3.2. RA - RB - RC .....	17
4. HOISTING BRAKE .....	20
4.1. Manual brake for Eurobloc C only .....	21
4.2. Automatic brake for Eurobloc C only .....	23
4.3. Fast brake for RA - RB - RC only .....	24
4.4. M type brake for RA - RB - RC only .....	25
4.5. Hoisting FCO brake for RA - RB - RC only.....	26
5. ROPE DRUM / COUPLING / ROPE.....	27
5.1. Precut rope .....	29
6. OVERLOAD LIMITER / CROSSHEAD LIMITER AND FIXED POINT .....	30
7. RETURN .....	32
8. FRAME NHT and LHT.....	34
9. ROPE GUIDE / LIMIT SWITCH .....	36
9.1. EUROBLOC C .....	37
9.2. RA - RB - RC.....	38
10. HOOK BLOCK 1/1.....	39
11. HOOK BLOCK 2/1 – 1000 kg for EUROBLOC C and RC .....	41
12. HOOK BLOCK 2/1 – 1600 Kg for Eurobloc C and RC.....	43
13. HOOK BLOCK 4/1 – 2000 Kg for Eurobloc C and RC.....	45
14. HOOK BLOCK 4/1 – 3200 Kg for Eurobloc C and RC.....	47
15. MOTORGEAR - Old generation.....	49
15.1. DC 1 .....	50
15.2. DC 2 .....	50
15.3. DC 3 .....	50
15.4. DC 4 .....	51
16. MOTORGEAR – New generation .....	52
17. ELECTRIC TRAVEL AND CHAIN TRAVEL .....	55
18. TROLLEY 1/77 and 1/93 .....	58
18.1. Trolley 1/77 - Old model .....	59
18.2. Trolley 1/93 - New model .....	61
19. WHEEL S1/77 and 1/93.....	64
19.1. Wheels 1/77.....	65
19.2. Wheels 1/93.....	66
20. TROLLEYS SETTING TABLE 1/77 and 1/93.....	67
21. SWIVELLING TROLLEY .....	70
22. DOUBLE GIRDER TROLLEY .....	71
22.1. Wheel - Ø 200 .....	72
22.2. Wheel - Ø 160 .....	73
23. BISSEL TROLLEY (LHT72) for C type Only .....	74
24. NA TROLLEY for C type only.....	75
25. ELECTRICAL EQUIPMENT .....	76
25.1. EUROBLOC .....	77
25.2. RA - RB - RC .....	80

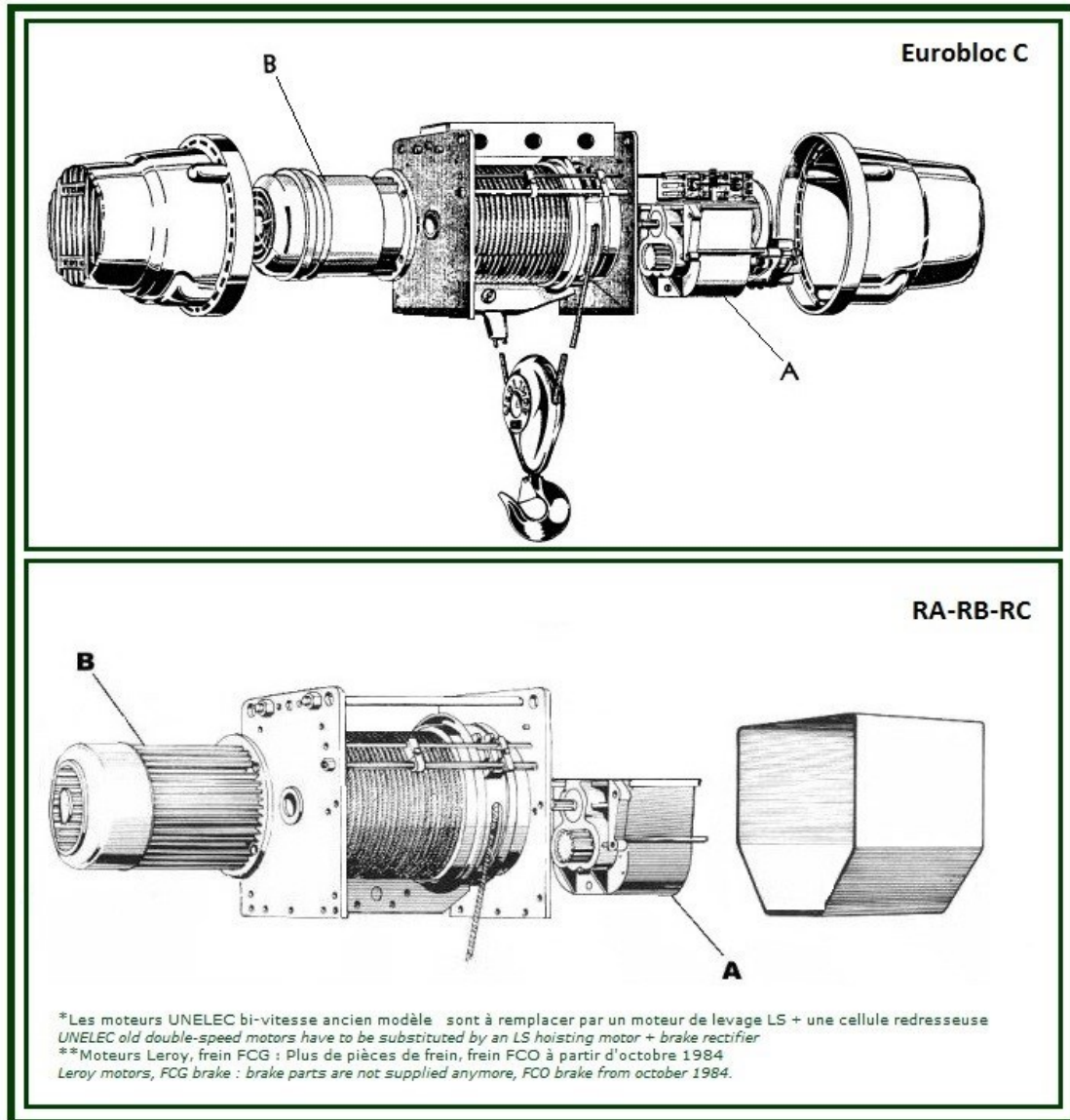
## 0. HOIST DESCRIPTION

Moteurs		Vitesse de levée en m/mn - Cases encadrées appareils mouflés												
		Repères	C5	C2	C8	C4	C10	C5	C12	C16	C8	C20	C25	C32
1 vitesse 1,2 Kw 1500 t/mn	A	71	13	26										
	151					6,5	13				3,25			
1 vitesse 1,8 Kw 1500 t/mn	C	51	19,5	39										
	71			13	26									
	101					9,6	19,2				4,8			
	151								6,5	13			3,25	
1 vitesse 2,2 Kw 1500 t/mn	E	101						9,6				4,8		
	121								8	16			4	
2 vitesses 1,2-0,3 Kw 3000/750 t/mn	B	72	13/3,25	26/6,5										
	152					6,5/1,6	13/3,2				3,25/0,8			
2 vitesses 1,8-0,5 Kw 3000/750 t/mn	D	52	17,3/4,3	34,7/8,6										
	72			13/3,2	26/6,5									
	102					9,6/2,4	19,2/4,9				4,8/1,2			
	152								6,5/1,6	13/3,2			3,25/0,8	
2 vitesses 2,2-0,55 Kw 3000/750 t/mn	F	102						9,6/2,4				4,8/1,2		
	122								8/2	16/4			4/1	

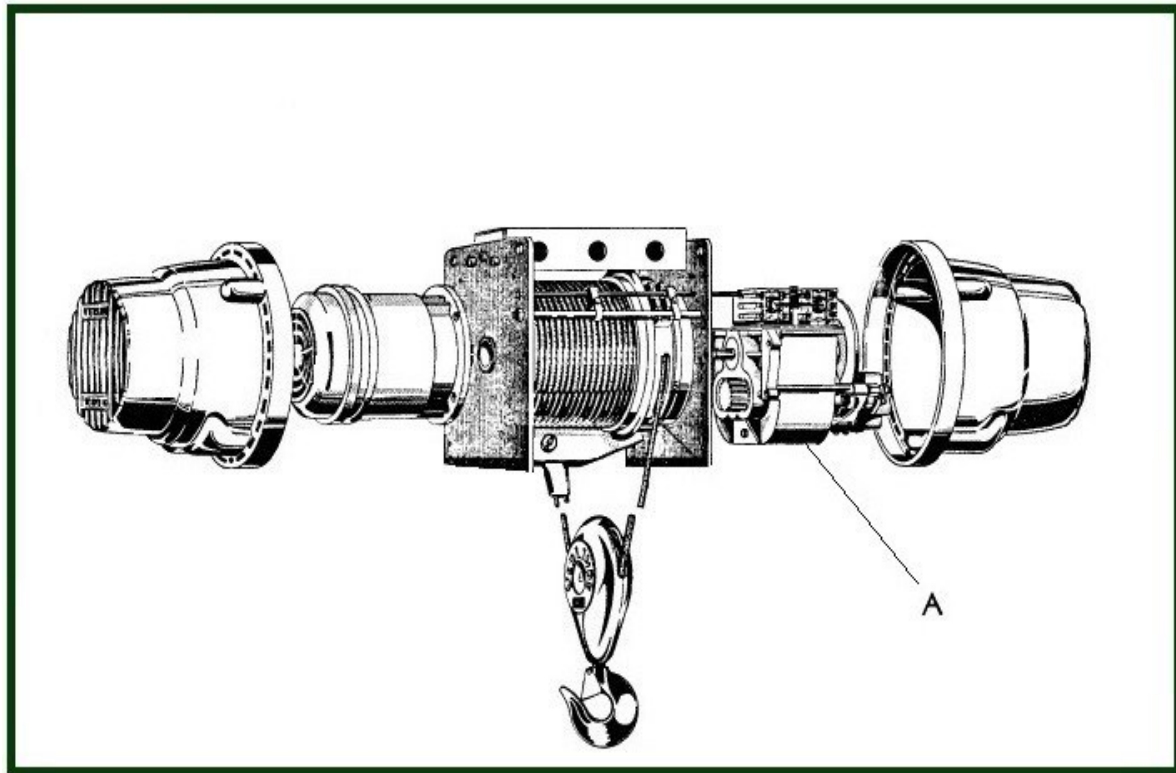
Moufles	2/1	4/1	Suspendu	S	Pose	P																								
Tambour							N								L								SL							
Ossature	HPN	HPR	HPN	HPR	HPN	HPR	HPN	HPR	HPN	HPR	HPN	HPR	HPN	HPR	HPN	HPR	HPN	HPR	HPN	HPR	HPN	HPR								
Capacité de charge ... kg	500-800-1000 1250		1600		2000-2500		500-800-1000 1250		1600		2000-2500		3200		500-800-1000 1250		1600		2000 2500		3200									
Nature du câble	P		P		P		A		A		P		P		A		A		P		P									
∅ câble ... mm	∅ 6,5		∅ 8,5		∅ 6,5		∅ 6,5		∅ 8,5		∅ 6,5		∅ 8,5		∅ 6,5		∅ 8,5		∅ 6,5		∅ 8,5									
Long câble standard ... m	23,5	21,5	17	15	24,75	23,5	37	35	26,9	24,9	38	36	28	26,2	50	48	36,4	34,4	49	35,7										
Hauteur de levée ... m	9,5	9	7	6	4,7	4,5	16	15	11,5	10,5	8	7,5	5,75	5,25	23	22,5	16,5	15,5	11,25	7,75										

Bin direct	1/1	2/2	Suspendu	S	Pose	P	Ap. murale	Sortie câble N						(1 à 16 voir schéma*)						
Tambour			N				L				SL				N		L		SL	
Nombre de brins			1/1												2/2					
Force ... kg			250-400-500		800		250-400-500		800		250-400-500		800		250-400-500-800					
Nature du câble			A		A		A		A		A		A		P		P		P	
∅ du câble ... mm			∅ 6,5		∅ 8,5		∅ 6,5		∅ 8,5		∅ 6,5		∅ 8,5		∅ 6,5					
Long câble sur tambour ... m			22,5		16		36		25,9		49		35,4		2x.....		2x.....		2x.....	
Long câble dévidée utile ... m			19		14		32		23		46		33		2x 5,7		2x 12,5		2x 19	

## 1. MOTOR / GEARBOX



1.1. Eurobloc C

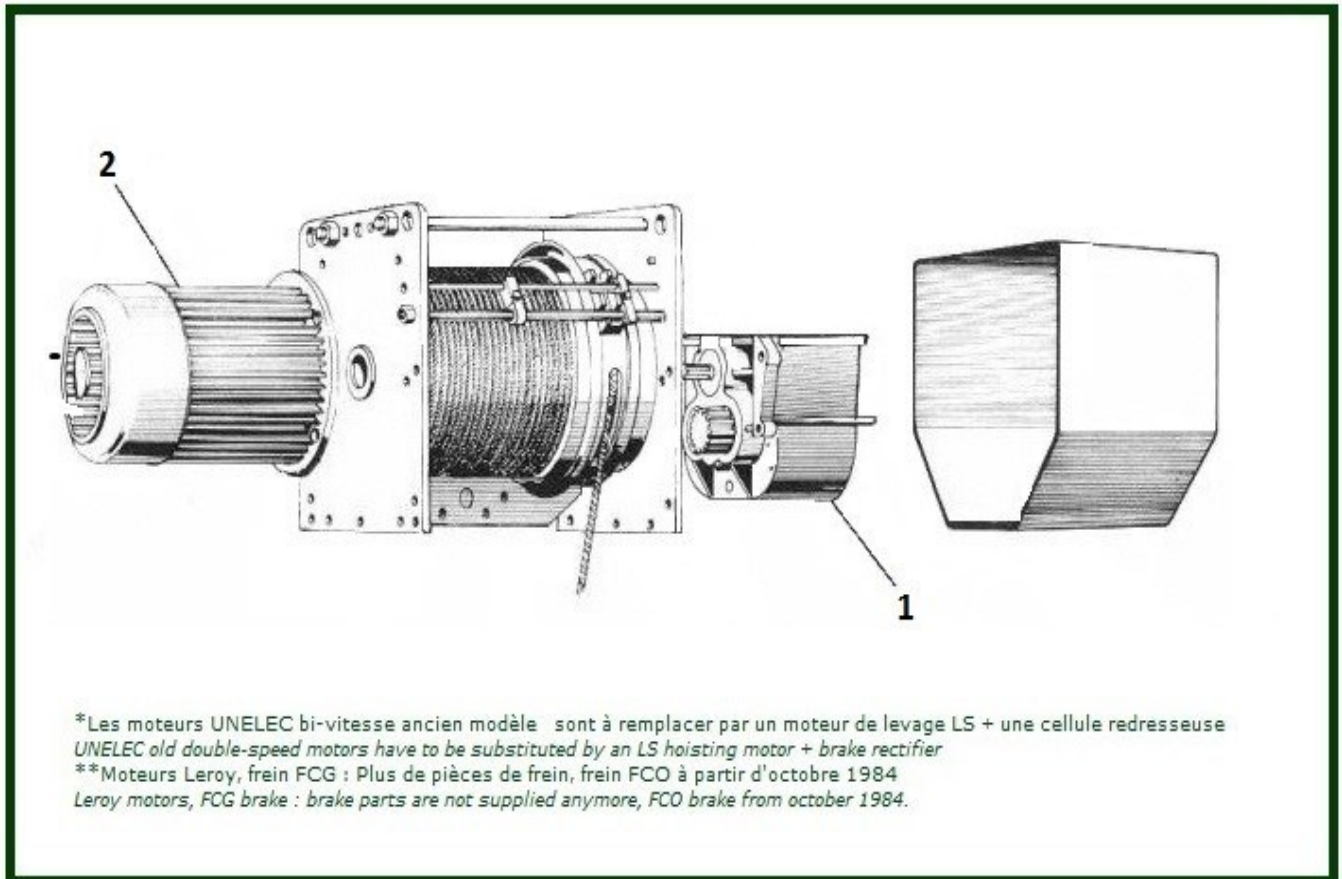




Eurobloc C

Item	Reference	Description	Observation	Quantity
A	<a href="#">3234010D</a>	Hoisting gearbox 51+ disc	Eurobloc C	1
A	<a href="#">3234014H</a>	Hoisting gearbox 52 + disc	Eurobloc C	1
A	<a href="#">3234011E</a>	Hoisting gearbox 71+ disc	Eurobloc C	1
A	<a href="#">3234015J</a>	Hoisting gearbox 72 + disc	Eurobloc C	1
A	<a href="#">3234012F</a>	Hoisting gearbox 101+ disc	Eurobloc C	1
A	<a href="#">3234016K</a>	Hoisting gearbox 102 + disc	Eurobloc C	1
A	<a href="#">3234018N</a>	Hoisting gearbox 121 + disc	Eurobloc C	1
A	<a href="#">3234019P</a>	Hoisting gearbox 122 + disc	Eurobloc C	1
A	<a href="#">3234013G</a>	Hoisting gearbox 151+ disc	Eurobloc C	1
A	<a href="#">3234017L</a>	Hoisting gearbox 152 + disc	Eurobloc C	1
B	Consult us	Hoisting motor HFUB90S4	1,2 Kw 220/380V50Hz 1500t/mn Not supplied anymore	1
B	<a href="#">7342260T</a>	Hoisting motor LS80L3	1,2 Kw 220/380V 50Hz 1500t/mn Not supplied anymore	1
B	<a href="#">7343230X</a>	Hoisting motor LS90L2DP	2,2 Kw 220/380V 50Hz 1500t/mn Not supplied anymore	1
B	<a href="#">7343730R</a>	Hoisting motor LS90L2DP	2,2 Kw 240/415V 50 Hz 1500 t/mn Not supplied anymore	1
B	<a href="#">7343430Q</a>	Hoisting motor LS90L3	1,2/0,3 Kw 220 V 50Hz Not supplied anymore	1
B	<a href="#">7343925C</a>	Hoisting motor LS90L3DP	1,2/0,3 Kw 240/415V 3000/750 t/mn Not supplied anymore	1
B	<a href="#">7343470H</a>	Hoisting motor LS90L3DP	1,8/0,5 Kw 220V 50 Hz 3000/750 t/mn Not supplied anymore	1
B	<a href="#">7343460X</a>	Hoisting motor LS90L3DP	1,8/0,5 Kw 380V 50 Hz 3000/750 t/mn Not supplied anymore	1
B	<a href="#">7343250U</a>	Hoisting motor LS90L3DP	1,8 Kw 220/380V 50Hz 1500t/mn Not supplied anymore	1
B	<a href="#">7343420D</a>	Hoisting motor LS90S1DP	1,2/0,3 Kw 380V 50 Hz 3000/750 t/mn Not supplied anymore	1
B	<a href="#">7344440N</a>	Hoisting motor LS100L2DP	2,2/0,55 Kw 220V50Hz 3000/750 t/mn Not supplied anymore	1
B	<a href="#">7344430B</a>	Hoisting motor LS100L2DP	2,2/0,55 Kw 380V 50Hz 3000/750 t/mn Not supplied anymore	1
B	<a href="#">7344930V</a>	Hoisting motor LS100L2DP	2,2/0,55 Kw 415V 50Hz 3000/750 t/mn Not supplied anymore	1

1.2. RA-RB-RC

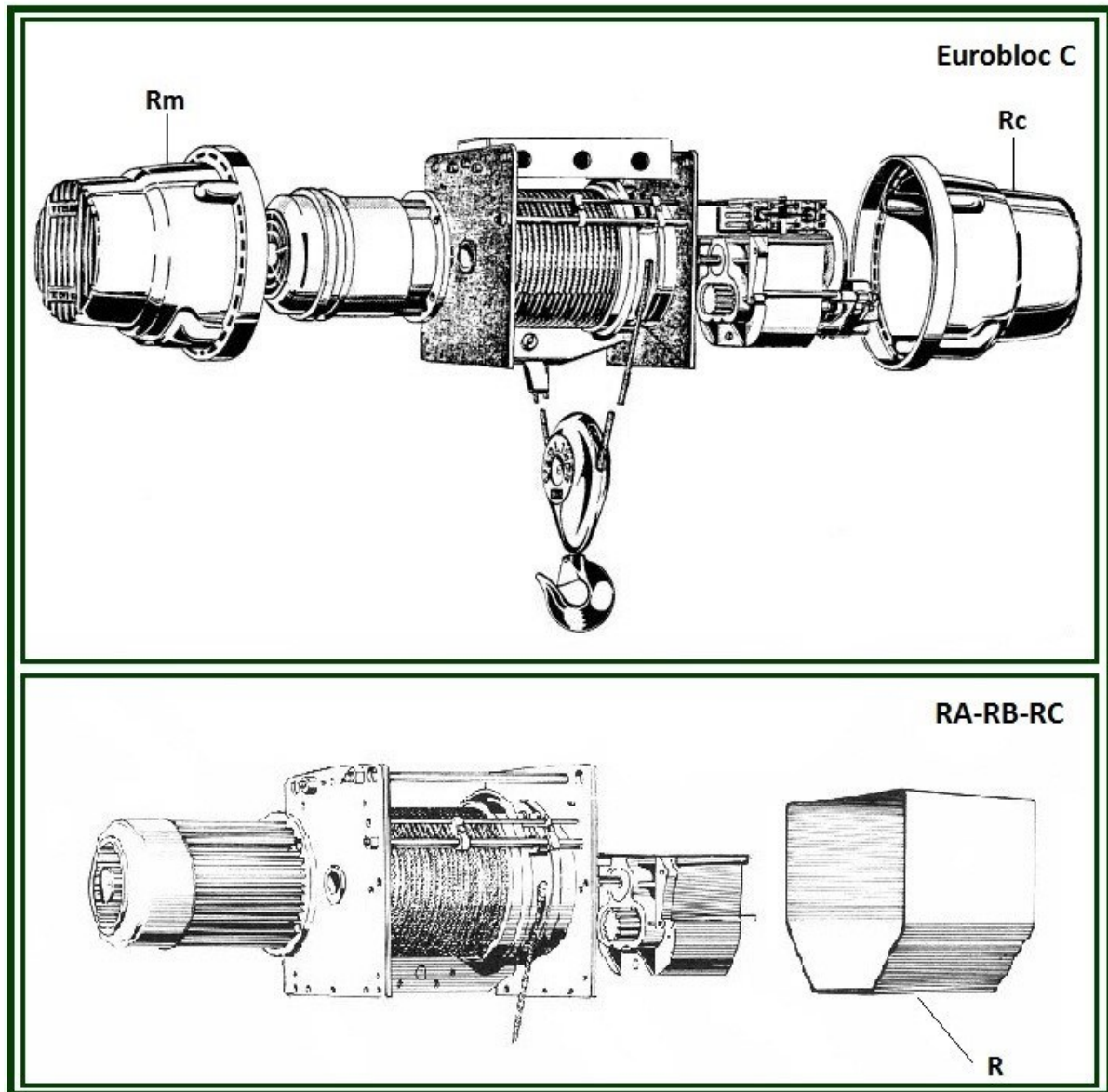


## Motor / gear box

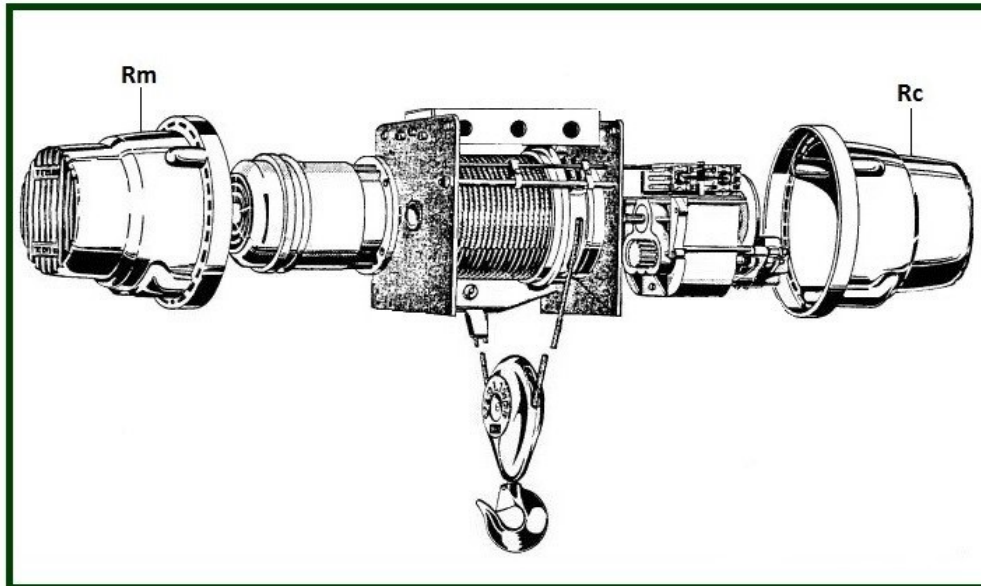
Item	Reference	Description	Observation	Quantity
1	<u>3134010H</u>	Hoisting gearbox 51	RA RB RC + tirlift without disc	1
1	<u>3134014N</u>	Hoisting gearbox 52	RA RB RC + tirlift without disc	1
1	<u>3134011J</u>	Hoisting gearbox 71	RA RB RC + tirlift without disc	1
1	<u>3134015P</u>	Hoisting gearbox 72	RA RB RC + tirlift without disc	1
1	<u>3134012K</u>	Hoisting gearbox 101	RA RB RC + tirlift without disc	1
1	<u>3134016Q</u>	Hoisting gearbox 102	RA RB RC + tirlift without disc	1
1	<u>3134013L</u>	Hoisting gearbox 151	RA RB RC + tirlift without disc	1
1	<u>3134017R</u>	Hoisting gearbox 152	RA RB RC + tirlift without disc	1
2	<u>7343251V</u>	Hoisting motor LS90L2 Fast 1,8 kw 1500 t/min	1 sp. 750 kg 230/380/415V - 50 Hz Replaces all the mono range speed Not supplied anymore	1
2	<u>33141031533</u>	Hoisting motor LS100L2 FCO 1,84/0,5 kw 3000/750 t/min	Replaces all the dual range speeds Add rectifier (7521111W) Not supplied anymore	1



## 2. COVER / SWL plate



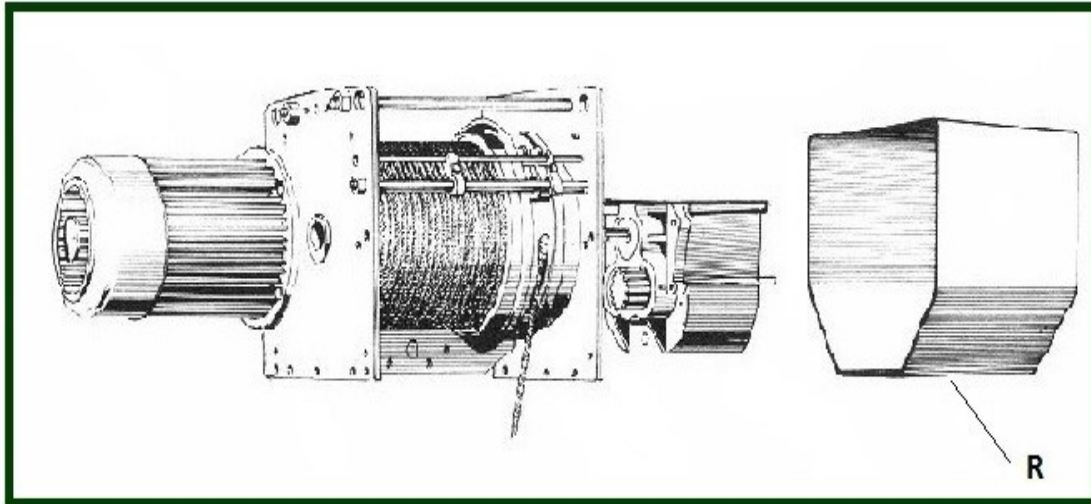
## 2.1. EUROBLOC C



Cover / SWL plate

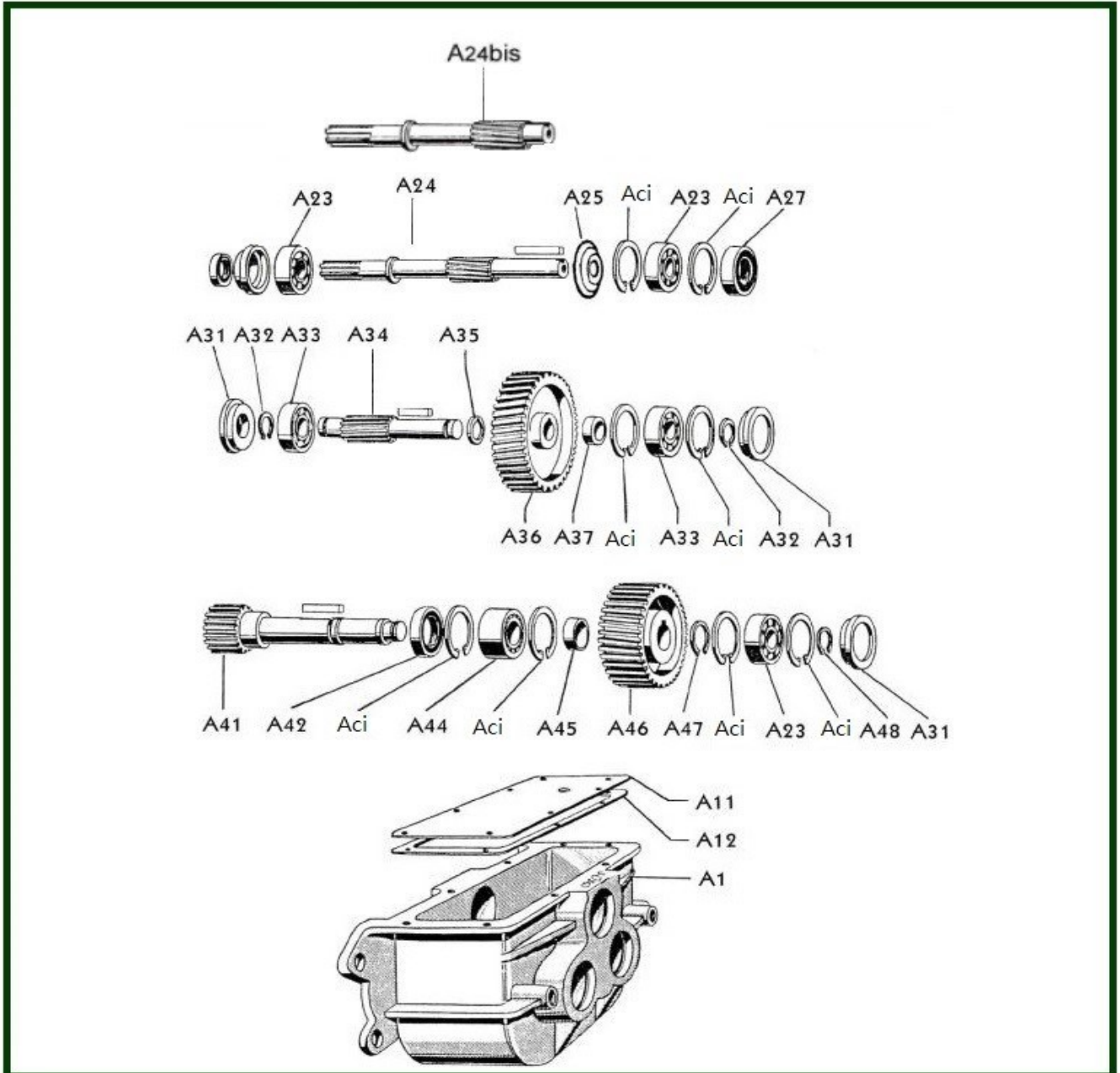
Item	Reference	Description	Observation	Quantity
-	<u>KP6A5</u>	Sticker SWL plate	0,5T	1
-	<u>KP6A8</u>	Sticker SWL plate	0,8T	1
-	<u>KP6A2</u>	Sticker SWL plate	0,25T	1
-	<u>KP6A1</u>	Sticker SWL plate	0,125T	1
-	<u>KP6A16</u>	Sticker SWL plate	1,6T	1
-	<u>KP6A10</u>	Sticker SWL plate	1T	1
-	<u>KP6A20</u>	Sticker SWL plate	2T	1
-	<u>KP6A32</u>	Sticker SWL plate	3,2T	1
-	<u>KP5A1</u>	Sticker SWL plate	125 Kg	1
-	<u>KP5A2</u>	Sticker SWL plate	250 Kg	1
-	<u>KP5A5</u>	Sticker SWL plate	500 Kg	1
-	<u>KP5A8</u>	Sticker SWL plate	800 Kg	1
-	<u>KP5A10</u>	Sticker SWL plate	1000 Kg	1
-	<u>KP5A16</u>	Sticker SWL plate	1600 Kg	1
-	<u>KP5A20</u>	Sticker SWL plate	2000 Kg	1
-	<u>KP5A32</u>	Sticker SWL plate	3200 Kg	1
=	<u>7791300E</u>	Cover seal		1
=	<u>KP5AV</u>	Name plate and cover		1
=	<u>7213409N</u>	Fixed screw		1
RC	<u>5238201X</u>	Cover only - Gearbox side		1
RM	<u>5238211H</u>	Cover - Motor side		1

2.2. RA - RB - RC

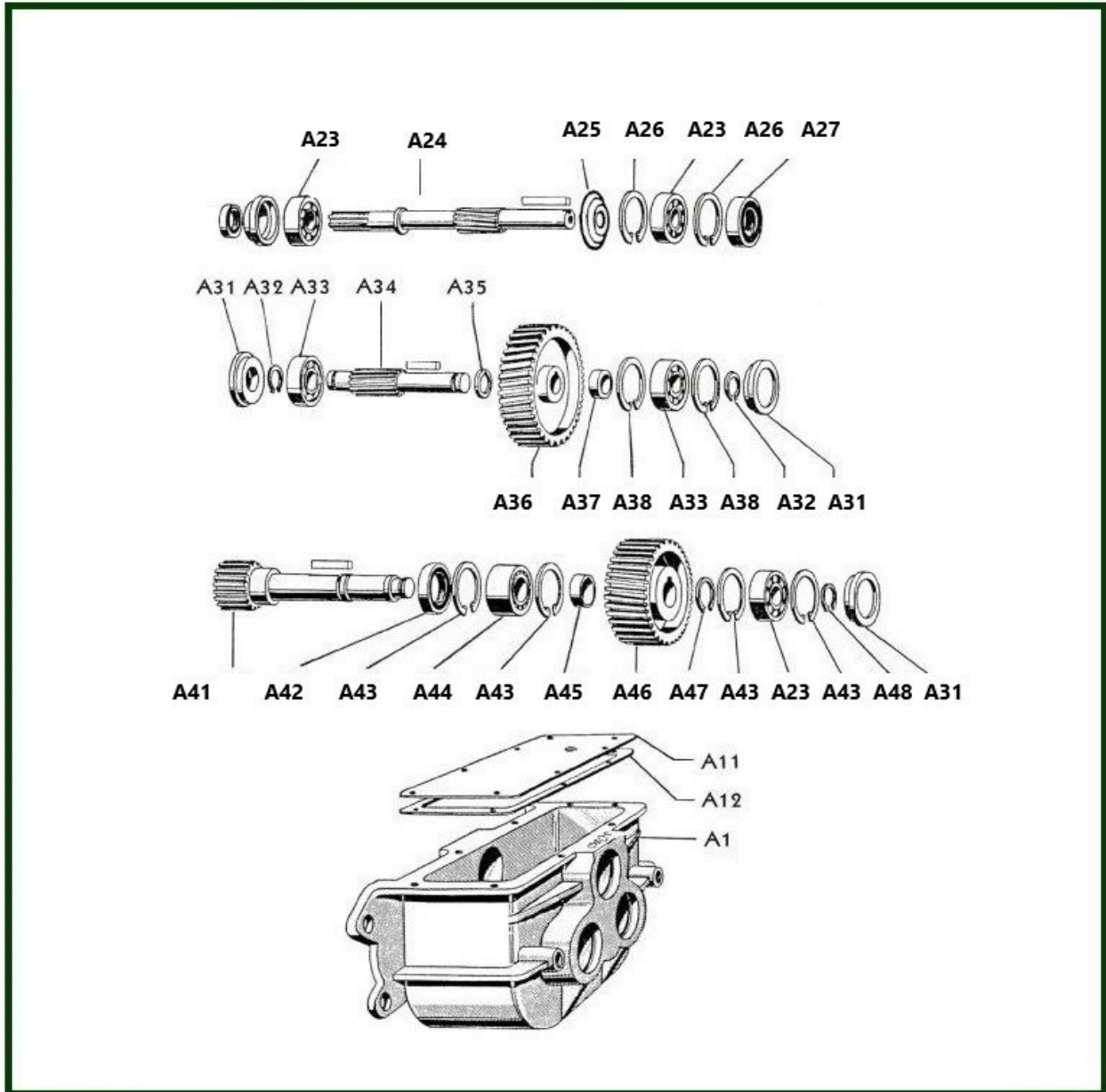


Item	Reference	Description	Observation	Quantity
R	<u>33141030110</u>	Gearbox cover		1

### 3. HOISTING GEARBOX



### 3.1. EUROBLOC C





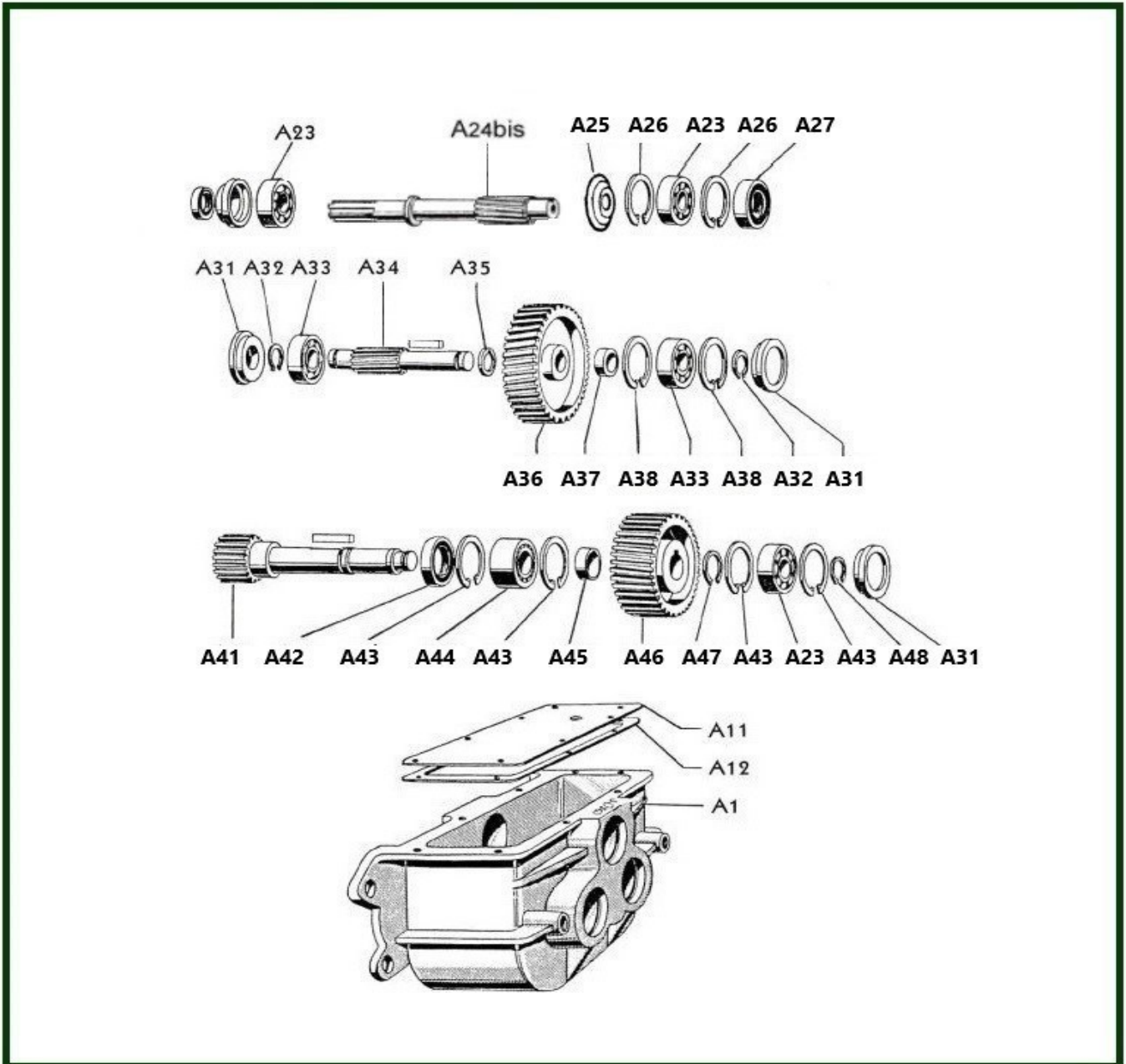
HOISTING GEARBOX - Eurobloc C

Item	Reference	Description	Observation	Quantity
-	<u>8913045T</u>	Lubricant sand Hoisting gear and travelling gear Type C, D, E, F and EUROCHAIN 1, 2, 3	1,5 kg of MULTIS EP200	2
=	<u>A24DC</u>	Seal and bearing sand		1
A1	<u>5234101R</u>	Gearbox		1
A11	<u>5234105A</u>	Cover plate		1
A12	<u>5234102S</u>	Gasket for cover plate		1
A23	<u>7413045H</u>	Anti-friction bearing	20 x 52 x 15	2
A24	<u>5234221W</u>	High speed shaft - 15 teeth	Carter 52-72-102-122-152	1
A24	<u>5234201Z</u>	High speed shaft - 19 teeth	Carter 51	1
A24	<u>5234211K</u>	High speed shaft - 22 teeth	Carter 71-101-121-151	1
A25	<u>5234205D</u>	Deflector		1
A27 & A42	<u>7460718B</u>	SIMRIT seal		1
A31	<u>5234121N</u>	Watertight cap	∅ 52	2
A33	<u>7413040C</u>	Bearings		2
A34	<u>5234303K</u>	Pinion axle - 33 teeth	71- 52	1
A34	<u>5234341B</u>	Intermediate pinion - 16 teeth	Carter 152	1
A34	<u>5234343D</u>	Intermediate pinion - 19 teeth	Carter 122	1
A34	<u>5234321E</u>	Intermediate pinion - 20 teeth	Carter 151	1
A34	<u>5234331R</u>	Intermediate pinion - 22 teeth	Carter 102	1
A34	<u>5234326K</u>	Intermediate pinion - 23 teeth	Carter 121	1
A34	<u>5234311U</u>	Intermediate pinion - 27 teeth	Carter 72 - 101	1
A34	<u>5234301H</u>	Intermediate pinion - 33 teeth	Carter 71- 52	1
A35	<u>5234307Q</u>	Spacer ring	20/36/5	1
A36	<u>5234212L</u>	Intermediate gear - 108 teeth	71-101-121-151 1 speed	1
A36	<u>5234222X</u>	Intermediate gear - 111 teeth	52-72-102-122-152 2 speeds	1
A37	<u>5234306P</u>	Spacer ring	20/30/11.5	1
A41	<u>5234403U</u>	Drive pinion shaft - 20 teeth		1
A43	<u>7261052Y</u>	Internal circlips	∅ 52	4

HOISTING GEARBOX - Eurobloc C

Item	Reference	Description	Observation	Quantity
A44	<u>7444304K</u>	Bearing	30 x 52 x 22	1
A45	<u>5234406X</u>	Spacer ring	30/36/10	1
A46	<u>5234302J</u>	Slow speed gear - 63 teeth	Carter 52 - 71	1
A46	<u>5234312V</u>	Slow speed gear - 69 teeth	Carter 72 - 101	1
A46	<u>5234327L</u>	Slow speed gear - 73 teeth	Carter 121	1
A46	<u>5234332S</u>	Slow speed gear - 74 teeth	Carter 102	1
A46	<u>5234322F</u>	Slow speed gear - 76 teeth	Carter 151	1
A46	<u>5234344E</u>	Slow speed gear - 77 teeth	Carter 122	1
A46	<u>5234342C</u>	Slow speed gear - 80 teeth	Carter 152	1
A46	<u>5234202A</u>	Slow speed gear - 118 teeth	Carter 51	1
A47	<u>7262030L</u>	Exterior circlip	∅ 30	1
A48	<u>7262020A</u>	Exterior circlip	∅ 30 - I/77	1
A241	<u>7281083W</u>	Cotter pin 1BR 8 x 7	∅ 320 - A, B, C	1
A341	<u>7281064A</u>	Cotter pin 1BR 6 x 6 x 32		1
A411	<u>7283083V</u>	Cotter pin 2BP 8 x 7 x 38		1

3.2. RA - RB - RC



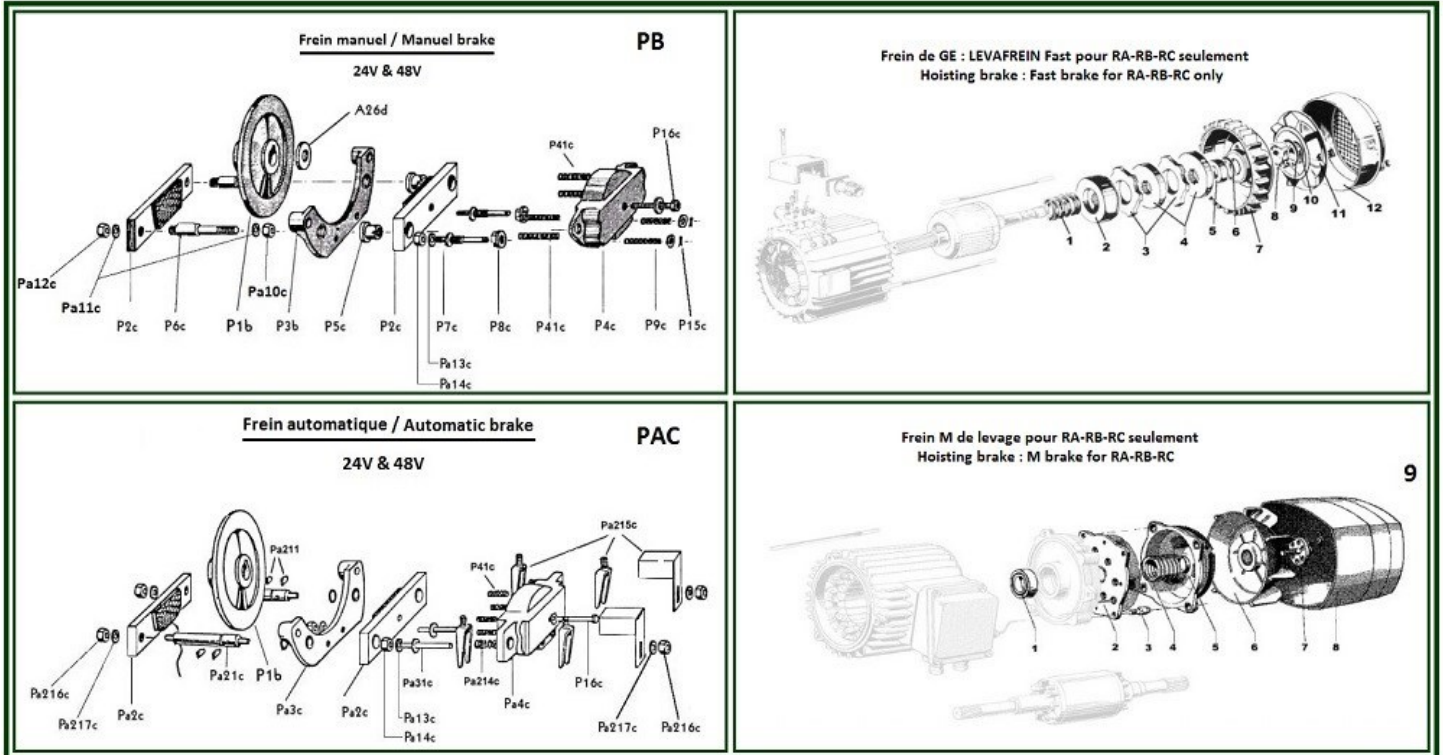
RA-RB-RC

Item	Reference	Description	Observation	Quantity
-	<u>8913045T</u>	Lubricant sand Hoisting gear and travelling gear Type C, D, E, F and EUROCHAIN 1, 2, 3	1,5 kg of MULTIS EP200	2
-	<u>A24DC</u>	Seal and bearing sand		1
A1	<u>5234101R</u>	Gearbox		1
A11	<u>5234105A</u>	Cover plate		1
A12	<u>5234102S</u>	Gasket for cover plate		1
A23	<u>7413045H</u>	Anti-friction bearing	20 x 52 x 15	2
A24bis	<u>5134221A</u>	High speed shaft - 15 teeth	Carter 52-72-102-122-152	1
A24bis	<u>5134201D</u>	High speed shaft - 19 teeth	Carter 51	1
A24bis	<u>5134211Q</u>	High speed shaft - 22 teeth	Carter 71-101-121-151	1
A25	<u>5234205D</u>	Deflector		1
A27 & A42	<u>7460718B</u>	SIMRIT seal		1
A31	<u>5234121N</u>	Watertight cap	∅ 52	2
A33	<u>7413040C</u>	Bearings		2
A34	<u>5234303K</u>	Pinion axle - 33 teeth	71- 52	1
A34	<u>5234341B</u>	Intermediate pinion - 16 teeth	Carter 152	1
A34	<u>5234343D</u>	Intermediate pinion - 19 teeth	Carter 122	1
A34	<u>5234321E</u>	Intermediate pinion - 20 teeth	151	1
A34	<u>5234331R</u>	Intermediate pinion - 22 teeth	Carter 102	1
A34	<u>5234326K</u>	Intermediate pinion - 23 teeth	Carter 121	1
A34	<u>5234311U</u>	Intermediate pinion - 27 teeth	Carter 72 - 101	1
A34	<u>5234301H</u>	Intermediate pinion - 33 teeth	Carter 71- 52	1
A35	<u>5234307Q</u>	Spacer ring	20/36/5	1
A36	<u>5234212L</u>	Intermediate gear - 108 teeth	71-101-121-151 1 speed	1
A36	<u>5234222X</u>	Intermediate gear - 111 teeth	52-72-102-122-152 2 speeds	1
A37	<u>5234306P</u>	Spacer ring	20/30/11.5	1
A38	<u>7261052Y</u>	Internal circlips	∅ 52	4

RA-RB-RC

Item	Reference	Description	Observation	Quantity
A41	<a href="#">5234403U</a>	Drive pinion shaft - 20 teeth		1
A44	<a href="#">7444304K</a>	Bearing	30 x 52 x 22	1
A45	<a href="#">5234406X</a>	Spacer ring	30/36/10	1
A46	<a href="#">5234302J</a>	Slow speed gear - 63 teeth	Carter 52 - 71	1
A46	<a href="#">5234312V</a>	Slow speed gear - 69 teeth	Carter 72 - 101	1
A46	<a href="#">5234327L</a>	Slow speed gear - 73 teeth	Carter 121	1
A46	<a href="#">5234332S</a>	Slow speed gear - 74 teeth	Carter 102	1
A46	<a href="#">5234322F</a>	Slow speed gear - 76 teeth	Carter 151	1
A46	<a href="#">5234344E</a>	Slow speed gear - 77 teeth	Carter 122	1
A46	<a href="#">5234342C</a>	Slow speed gear - 80 teeth	Carter 152	1
A46	<a href="#">5234202A</a>	Slow speed gear - 118 teeth	Carter 51	1
A47	<a href="#">7262030L</a>	Exterior circlip	∅ 30	1
A48	<a href="#">7262020A</a>	Exterior circlip	∅ 30 - 1/77	1
A241	<a href="#">7281083W</a>	Cotter pin 1BR 8 x 7	∅ 320 - A, B, C	1
A341	<a href="#">7281064A</a>	Cotter pin 1BR 6 x 6 x 32		1
A411	<a href="#">7283083V</a>	Cotter pin 2BP 8 x 7 x 38		1

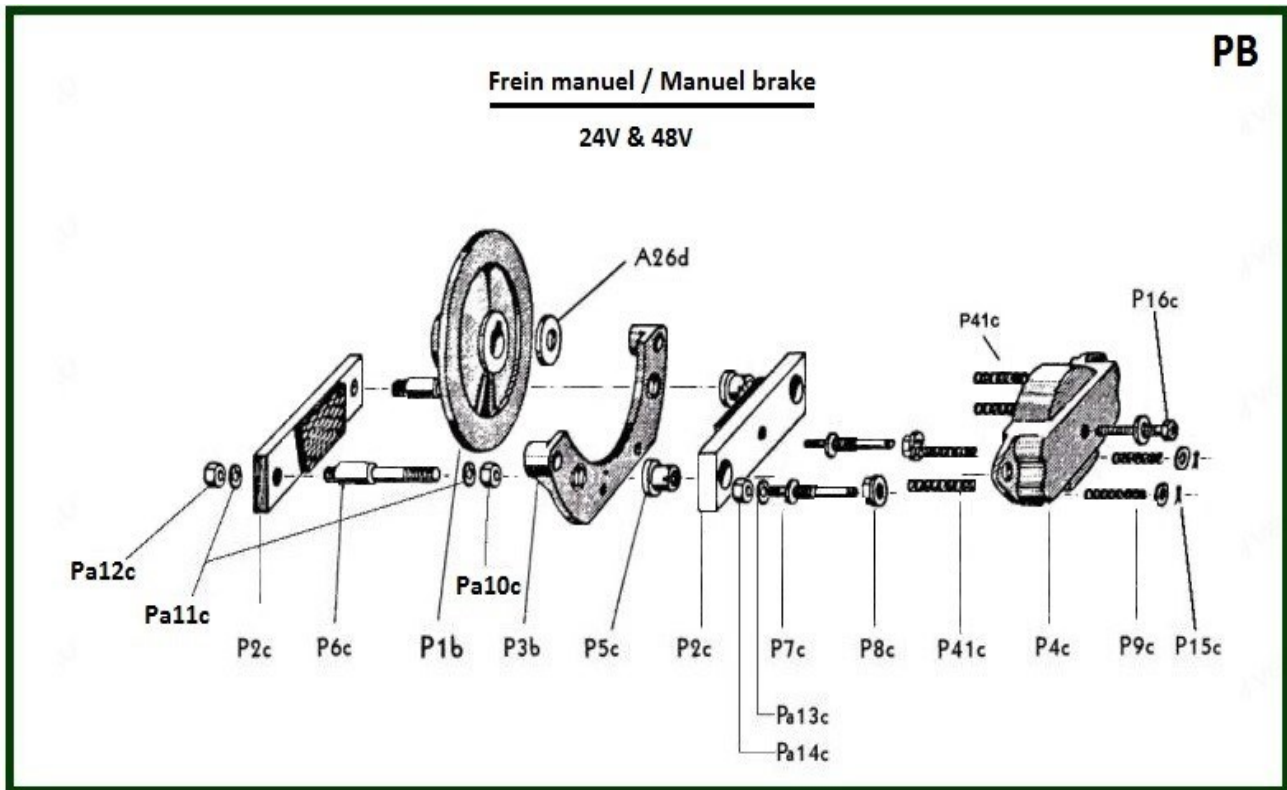
## 4. HOISTING BRAKE





4.1. Manual brake for Eurobloc C only

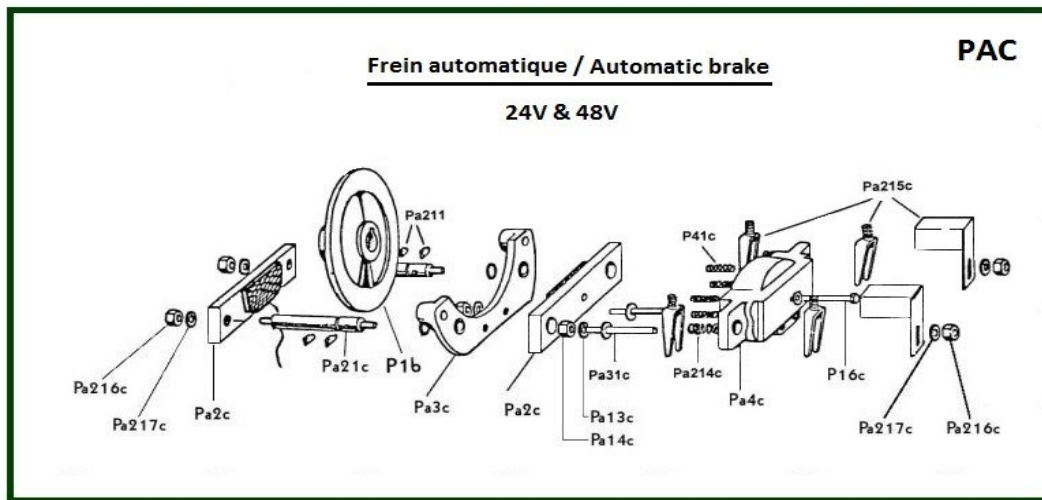
\* 7231061Z = 4 flats washers (6)



HOISTING BRAKE – Manual brake for Eurobloc C only

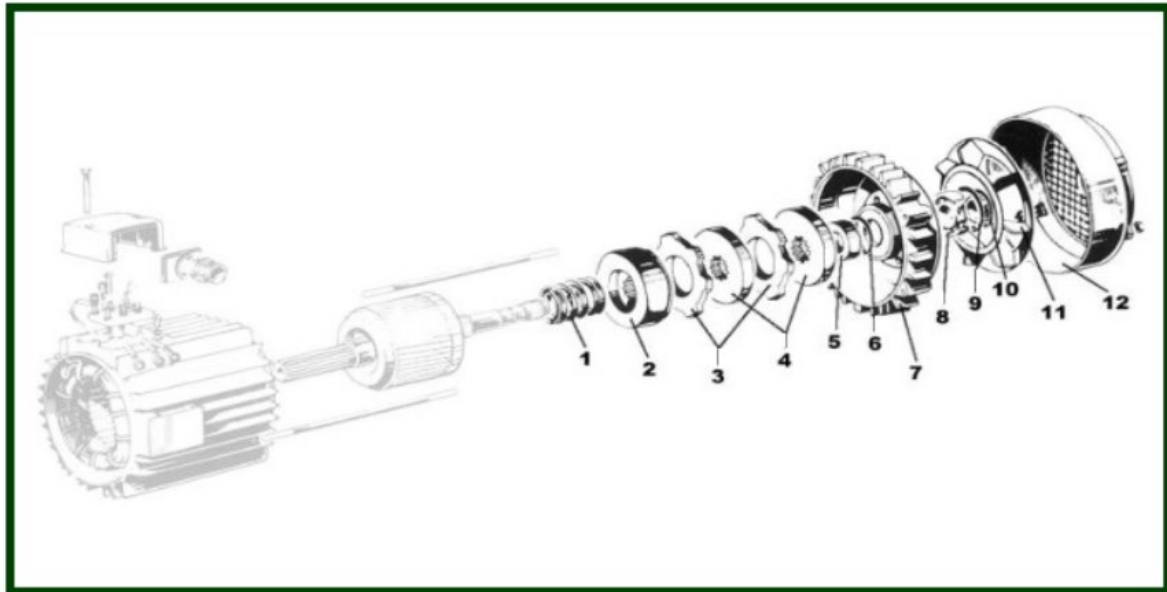
Item	Reference	Description	Observation	Quantity
A26d	<u>7285040X</u>	Disc brake washer		1
P1b	<u>5235201L</u>	Brake wheel		1
P2c	<u>EPCK5071/72T</u>	Sand of brake jaws and rear with linings		1
P3b	<u>8567231H</u>	Support of brake		1
P4c	<u>5235121Z</u>	Manuel brake solenoid - 24V		1
P5c	<u>5235141W</u>	Adjusting bushes		2
P6c	<u>5235134P</u>	Studs		2
P7c	<u>5235142X</u>	Studs for stops		2
P8c	<u>7228088T</u>	AKULON stops		2
P9c	<u>5235152H</u>	Springs for studs		2
P15c	<u>7271164Q</u>	Split pin		2
P16c	<u>7211458S</u>	Screw 8 x 40		2
P41c	<u>5235133N</u>	Springs for solenoid		4
Pa10c	<u>7221080A</u>	Nut HM8		2
Pa11c	<u>7232080C</u>	Grower washer (8)		4
Pa12c	<u>7222080N</u>	Flat nut (8)		2
Pa13c	<u>7231061Z</u>	Flat washer (6)		2
Pa14c	<u>7221060D</u>	HM nut (6)		2
PB	<u>3235110Z</u>	Manuel brake - 24V	Wire coil red/ blue	1
PB	<u>3235113C</u>	Manuel brake - 48V	Black / White	1

## 4.2. Automatic brake for Eurobloc C only



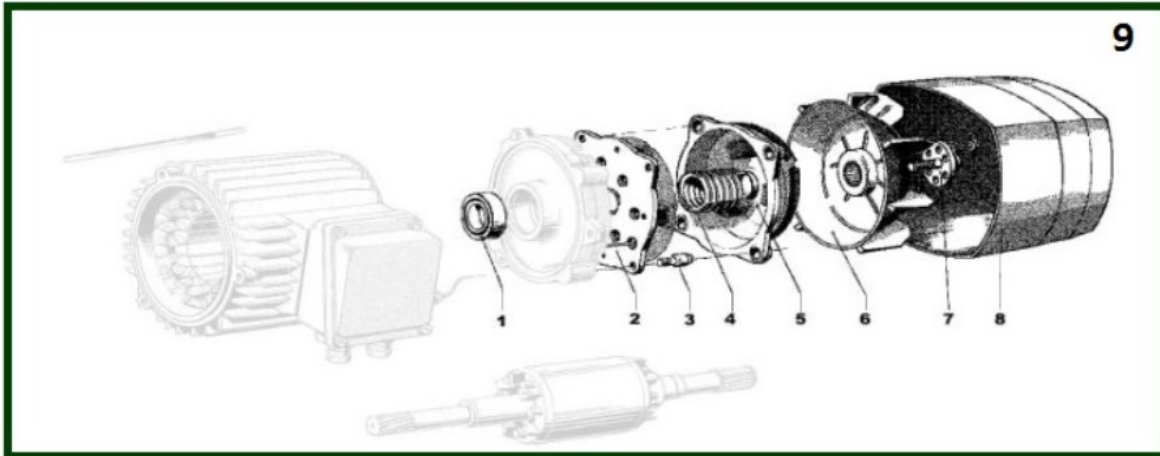
Item	Reference	Description	Observation	Quantity
P1b	<a href="#">5235201L</a>	Brake wheel		1
P16c	<a href="#">7211458S</a>	Screw 8 x 40		2
P41c	<a href="#">5235133N</a>	Springs for solenoid		4
Pa2c	<a href="#">5235135Q</a>	Coil side brake bar		1
Pa2c	<a href="#">5235136R</a>	Brake bar		1
Pa3c	<a href="#">8567232J</a>	Support of brake		1
Pa4c	<a href="#">5235122A</a>	Automatic brake solenoid - 24V		1
Pa4c	<a href="#">5235123B</a>	Automatic brake solenoid - 48V		1
Pa13c	<a href="#">7231061Z</a>	Flat washer (6)		4
Pa14c	<a href="#">7221060D</a>	HM nut (6)		2
Pa21c	<a href="#">5235137S</a>	Studs		2
Pa31c	<a href="#">5235138T</a>	Housing support pin		2
Pa211	<a href="#">5255147S</a>	Wedge follower		4
Pa214c	<a href="#">5255148T</a>	Gap control spring		2
Pa215c	<a href="#">PA215C</a>	Key guide (key + spring)		2
Pa216c	<a href="#">7222100J</a>	Flat nut-10mm		4
Pa217c	<a href="#">7232100D</a>	Washer grower	Standard - Automatic brake DIN12	6
PAC	<a href="#">3235111A</a>	Automatic brake - 24V	Red-Blue	1
PAC	<a href="#">3235112B</a>	Automatic brake - 48V	Black-White	1

### 4.3. Fast brake for RA - RB - RC only



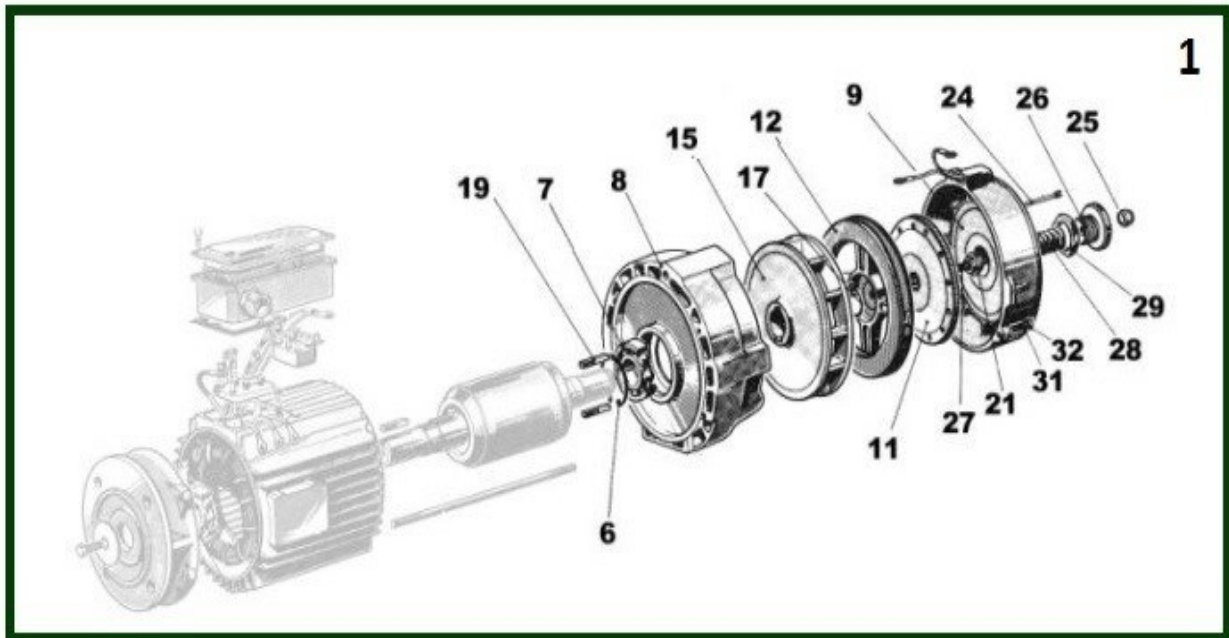
Item	Reference	Description	Observation	Quantity
1	<a href="#">990988</a>	Pressure spring- LS 90	Not supplied anymore	1
2	<a href="#">33141031896</a>	Frame - LS 90	Not supplied anymore	1
3	Nous consulter	Garniture	Not sold separately from brake sand	1
4	<a href="#">990980</a>	Brake discs- LS 90	Not supplied anymore	1
6 & 9 & 10	Nous consulter	Circlips	Not sold separately from brake sand	1
7	Nous consulter	Back side plate	Not sold separately from motor assembly	1
8	<a href="#">7412040R</a>	Ball bearing- LS 90	Not supplied anymore	1
11	Nous consulter	Fan	Not sold separately from brake sand	1
12	<a href="#">990523</a>	Steel cover + screw - LS 90	Not supplied anymore	1
	Nous consulter	Washer	Not sold separately from brake sand	1
-	<a href="#">33141031897</a>	Side plate / Brake sand - LS90	7 + 8 + 9 Not supplied anymore	1
-	<a href="#">990995</a>	Brake sand LS90 + elastic washer	3 + 5 + 6 + 10 + 11	1

#### 4.4. M type brake for RA - RB - RC only



Item	Reference	Description	Observation	Quantity
1	<a href="#">7412064S</a>	Bearing	VS2....O (VSX)	1
2 + 3	<a href="#">30088200050</a>	Brake coil + screw	M90 Not supplied anymore	1
2 + 3	<a href="#">30088200051</a>	Brake coil + screw	M100 Not supplied anymore	1
4 & 5	<a href="#">30066098003</a>	Gear rim sand (armature + spring)	M90 Not supplied anymore	1
4 & 5	<a href="#">30066108003</a>	Gear rim sand (armature + spring)	M100 Not supplied anymore	1
6 + 7	<a href="#">30081108127</a>	Splined fan + washer and adjusting screw	M90 & M100 Not supplied anymore	1
8	<a href="#">Nous consulter</a>	Cover with hand release brake	M90 & M100 Not supplied anymore	1
9	<a href="#">33210130505</a>	Complete brake without back flange and manual release	M100 Not supplied anymore	1
-	<a href="#">30081098116Y</a>	Hand release brake sand	M90 Not supplied anymore	1
	<a href="#">30081108116Y</a>	Hand release brake sand	M11 Not supplied anymore	1

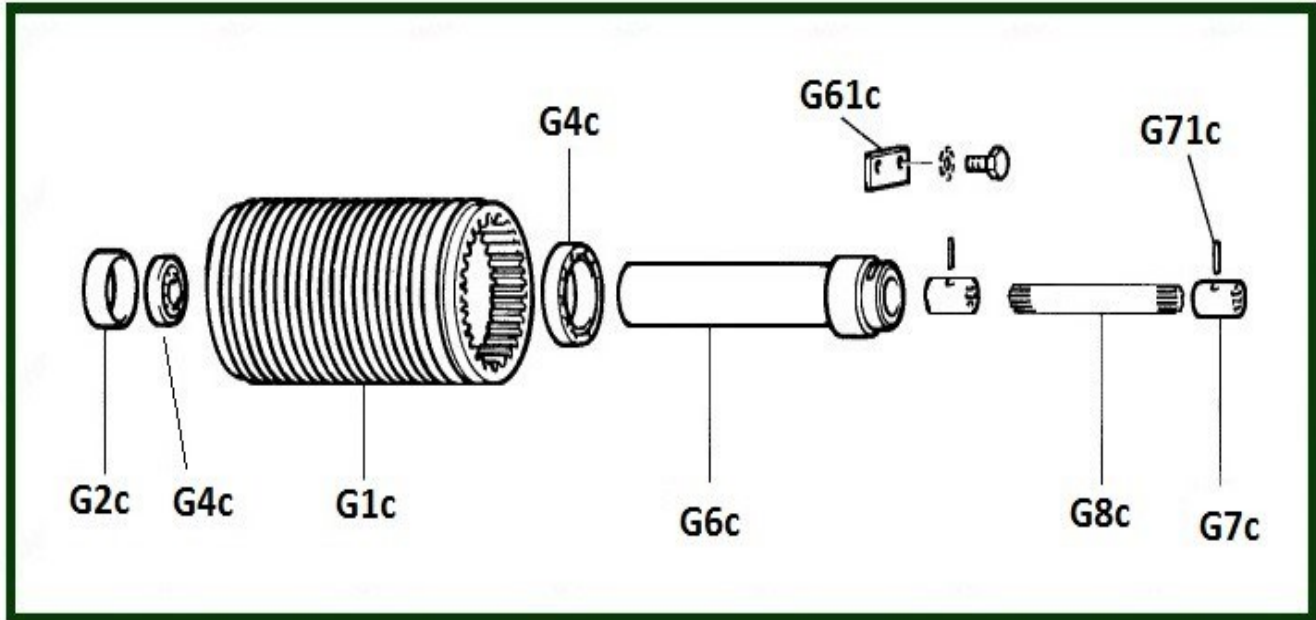
4.5. Hoisting FCO brake for RA - RB - RC only



Item	Reference	Description	Observation	Quantity
1	<u>18203002</u>	Complete brake + disc LS100	20V	1
11	<u>28223004</u>	Armature		1
-	<u>28223003</u>	Brake wheel	15+17+19	1
-	<u>342028223002</u>	Brake sand - Brake FCM 112	12+25+27	1
=	<u>7521111W</u>	Rectifier	Brake 24V	1
=	<u>342028223005</u>	Coil sand 20V - Brake FCM 112	9+24+31+32	1
=	<u>342028223008</u>	Brake torque adjustment sand - Brake FCM 112	25+26+28+29	1



## 5. ROPE DRUM / COUPLING / ROPE



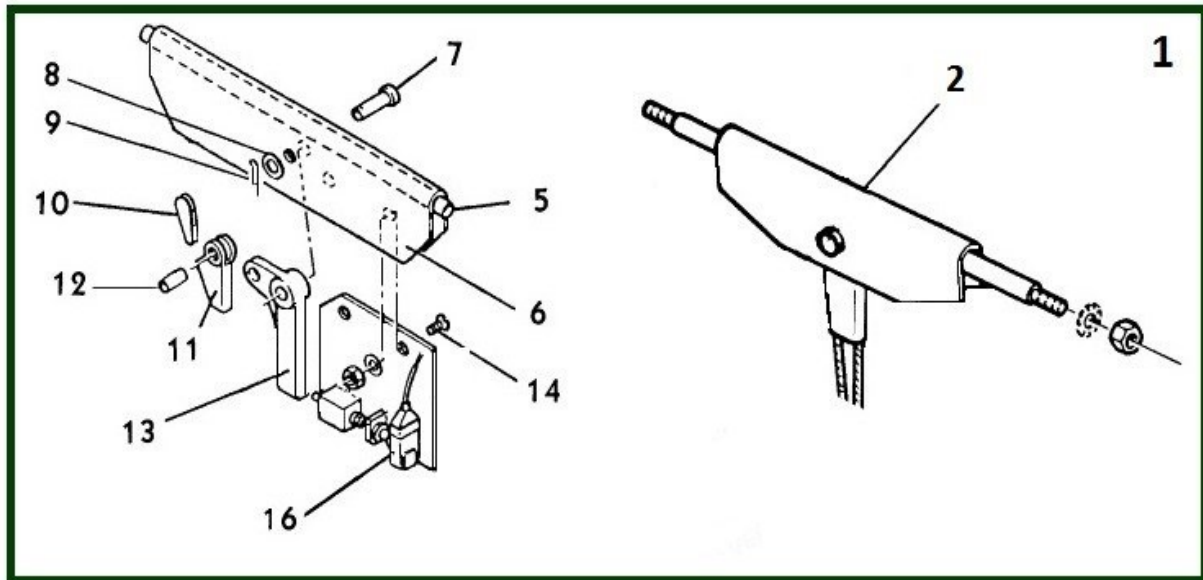
Rope drum / Coupling / Rope

Item	Reference	Description	Observation	Quantity
101	<a href="#">7311334C</a>	Non rotating steel cable - Ø 6,5	the mand er	1
201	<a href="#">7311734N</a>	Non rotating steel cable - Ø 8,5	the mand er	1
301	<a href="#">7321435G</a>	Preformed steel cable - Ø 6,5	the mand er	1
401	<a href="#">7321833Q</a>	Preformed cable - Ø 8,5	the mand er	1
500	<a href="#">7333060T</a>	Rope clamp - Ø 6,5		1
500	<a href="#">7333080Q</a>	Rope clamp - Ø 8,5	DIN741-6.5	1
	<a href="#">7211353C</a>	Screw HM 6 x 16	For rope-drum	1
-	<a href="#">7261080D</a>	Internal circlips - Ø 80		2
G1c	<a href="#">5242112Y</a>	Rope drum L - 1F - pas 10,5	Lg 445 - Ø 215	1
G1c	<a href="#">5232122Q</a>	Rope drum L - 2F - pas 7,5	Lg 445 - Ø 215	1
G1c	<a href="#">5232112D</a>	Rope drum L - 1F - pas 7,5	Lg 445 - Ø 215	1
G1c	<a href="#">5232111C</a>	Rope drum N - 1F - pas 7,5	Lg 295 - Ø 215	1
G1c	<a href="#">5242111X</a>	Rope drum N - 1F - pas 10,5	Lg 295 - Ø 215	1
G1c	<a href="#">5232121P</a>	Rope drum N - 2F - pas 7,5	Lg 295 - Ø 215	1
G1c	<a href="#">5232112E</a>	Rope drum SL - 1F - pas 7,5	Lg 595 - Ø 215	1
G1c	<a href="#">5242113Z</a>	Rope drum SL - 1F - pas 10,5	Lg 595 - Ø 215	1
G2c	<a href="#">5232136E</a>	Spacer ring		1
G4c	<a href="#">7410101H</a>	Bearing		2
G6c	<a href="#">5232132A</a>	Mounting tube - Rope drum L		1
G6c	<a href="#">5232131Z</a>	Mounting tube - Rope drum N		1
G6c	<a href="#">5232137F</a>	Mounting tube - Rope drum SL		1
G7c	<a href="#">5232405X</a>	Splined coupling		2
G8c	<a href="#">5232402U</a>	Drive shaft Rope drum L	Lg 370	1
G8c	<a href="#">5232401T</a>	Drive shaft Rope drum N	Lg 214	1
G8c	<a href="#">5232403V</a>	Drive shaft Rope drum SL	Lg 514	1
G09	<a href="#">3232413T</a>	Shaft + flexible coupling Rope drum L	Lg 430 - C	1
G09	<a href="#">3232412S</a>	Shaft + flexible coupling Rope drum N	Lg 276 - C	1
G61c	<a href="#">5232135D</a>	Keep plate for center tube		1
G71c	<a href="#">7273156E</a>	Mecanindus pin		2

### 5.1. Precut rope

Item	Reference	Description	Observation	Quantity
100	<a href="#">5232201A</a>	Non rotating rope Ø 6,5 + eyele	Lg 22,5m C-RA - 1/1 N	1
100	<a href="#">5232204D</a>	Non rotating rope Ø 6,5 + eyele	Lg 35m C-R -RB - 2/1 L LHT	1
100	<a href="#">5232206F</a>	Non rotating rope Ø 6,5 + eyele	Lg 37m C-RA-RB - 2/1 L	1
100	<a href="#">5232209J</a>	Non rotating rope Ø 6,5 + eyele	Lg 48m C-RA-RB - 2/1 SL LHT	1
100	<a href="#">5232208H</a>	Non rotating rope Ø 6,5 + eyele	Lg 50m C-RA-RB - 2/1 SL	1
200	<a href="#">5242203X</a>	Non rotating rope Ø 8,5 + eyele	Lg 24,9m C-RC - 2/ 1 L LHT	1
200	<a href="#">5242204Y</a>	Non rotating rope Ø 8,5 + eyele	Lg 26,9m C-RC - 2/1 L	1
200	<a href="#">5242207B</a>	Non rotating rope Ø 8,5 + eyele	Lg 34,4m C-RC 2/1 SL LHT	1
200	<a href="#">5242206A</a>	Non rotating rope Ø 8,5 + eyele	Lg 36,4m C-RC 2/1 SL	1
300	<a href="#">5232211L</a>	Preformed cable Ø 6,5 + eyele	Lg 21,5m C-RA-RB - 2/1 N LHT	1
300	<a href="#">5232212N</a>	Preformed cable Ø 6,5 + eyele	Lg 23,5m C-RA-RB - 2/1 N NHT - 4/1 LHT	1
300	<a href="#">5232213P</a>	Preformed cable Ø 6,5 + eyele	Lg 24,7m C-RB - 4/1 N	1
300	<a href="#">5232215R</a>	Preformed cable Ø 6,5 + eyele	Lg 36m C-RB - 4/1 L LHT	1
300	<a href="#">5232217T</a>	Preformed cable Ø 6,5 + eyele	Lg 38m C - RB - 4/1 L	1
300	<a href="#">5232218U</a>	Preformed cable Ø 6,5 + eyele	Lg 49m C - RB - 4/1 SL LHT	1
400	<a href="#">5242221S</a>	Preformed cable Ø 8,5 + eyele	Lg 15m C - RC - 2/1 N LHT	1
400	<a href="#">5242222T</a>	Preformed cable Ø 8,5 + eyele	Lg 17m C - RC - 2/1 N	1
400	<a href="#">5242226X</a>	Preformed cable Ø 8,5 + eyele	Lg 26,2m C - RC - 4/1 L LHT	1
400	<a href="#">5242225W</a>	Preformed cable Ø 8,5 + eyele	Lg 28m C - RC - 4/1 L	1
400	<a href="#">5242227Y</a>	Preformed cable Ø 8,5 + eyele	Lg 35,7m C - RC - 4/1SL LHT	1

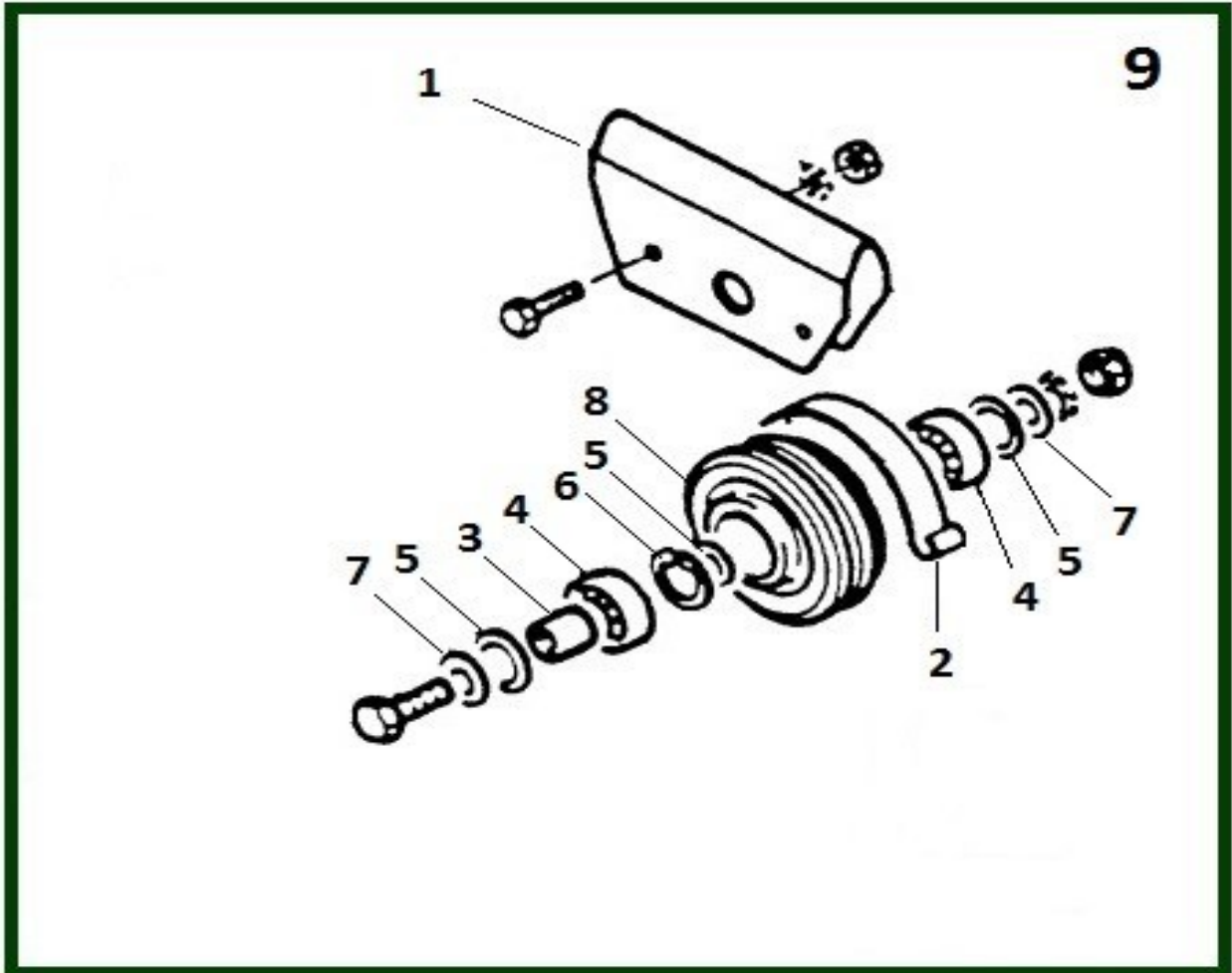
## 6. OVERLOAD LIMITER / CROSSHEAD LIMITER AND FIXED POINT



Overload limiter/ Crosshead limiter and Fixed point

Item	Reference	Description	Observation	Quantity
1	<u>2231421H</u>	Complete load limiter + support bracket L	Specify the diameter of the cable	1
1	<u>2231420G</u>	Complete load limiter + support bracket N	Specify the diameter of the cable	1
1	<u>2231422J</u>	Complete load limiter + support bracket SL	Specify the diameter of the cable	1
1	<u>11901005</u>	Load limiter without support		1
2	<u>5231401F</u>	Normal side plate N		1
2	<u>5231402G</u>	Long side plate L		1
2	<u>5231403H</u>	Super Long side plate SL		1
5	<u>5231304A</u>	Sleeve L - $\varnothing$ 20		1
5	<u>5231303Z</u>	Sleeve N - $\varnothing$ 20		1
5	<u>5231306C</u>	Sleeve SL - $\varnothing$ 20	NHT (4) - FP(3)- LHT(5)	1
6	<u>5231421C</u>	Suspension member rope anchorage only for load limiter L		1
6	<u>5231420B</u>	Suspension member rope anchorage only for load limiter N		1
6	<u>5231422D</u>	Suspension member rope anchorage only for load limiter SL		1
7	<u>5231411S</u>	Anchor pin		1
8	<u>7151213H</u>	Washer		1
9	<u>7271322L</u>	Pin		1
10	<u>8536223D</u>	Key cable $\varnothing$ 6,5		1
10	<u>8536224E</u>	Key cable $\varnothing$ 8,5		1
11	<u>5231410R</u>	Rope attachment		1
12	<u>5231431P</u>	Rope attachment cable	Only limiter	1
13	<u>5231432Q</u>	Right-angled lever		1
14	<u>7216656S</u>	Screw de fixation		2
16	<u>7545111H</u>	Switch for limiter	Before end 1991	1
16	<u>7545112J</u>	Switch for limiter	Since end 1991	1

## 7. RETURN



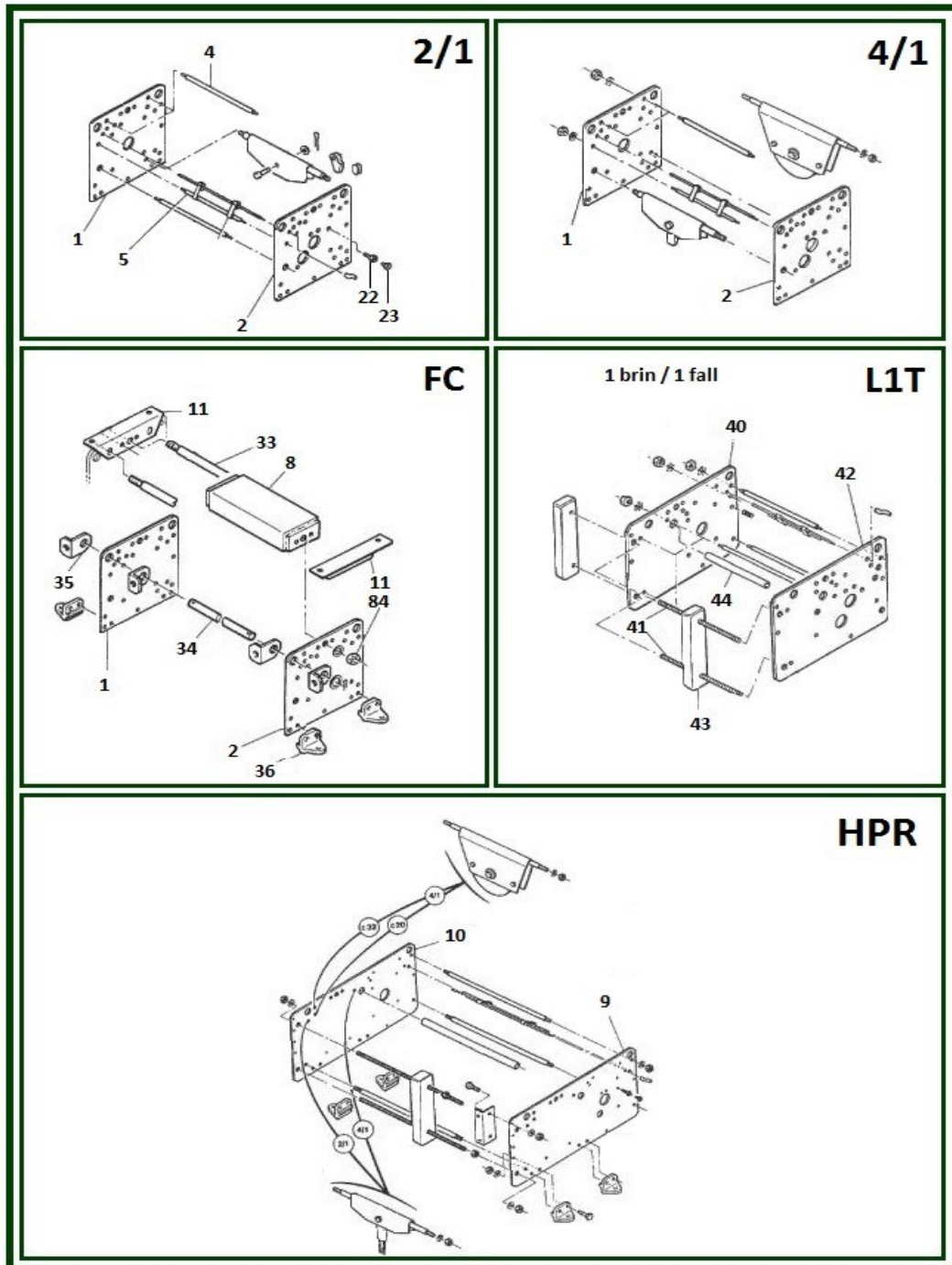


Return

Item	Reference	Description	Observation	Quantity
1	<u>5231512B</u>	Support for rand urn pulley	C20L - cable 6,5	1
1	<u>5231511A</u>	Support for rand urn pulley	C20N - cable 6,5	1
1	<u>5231514D</u>	Support for rand urn pulley	C20SL - cable 6,5	1
1	<u>5241512W</u>	Support for rand urn pulley	C32L - cable 8,5	1
1	<u>5241514Y</u>	Support for rand urn pulley	C32SL - cable 8,5	1
2	<u>5231513C</u>	Guide for wire rope	C20	1
2	<u>5231513X</u>	Guide for wire rope	C32	1
3	<u>5231504T</u>	Axle for pulley	C20	1
3	<u>5241504N</u>	Axle for pulley	C32	1
4	<u>7412051C</u>	Bearing	C20	1
4	<u>7412061P</u>	Bearing	C32 - A,B	1
5	<u>5233621U</u>	Spacer ring	C20	1
5	<u>5243621P</u>	Washer	C32	1
6	<u>300078</u>	Interior circlip- Ø 52	C20	1
6	<u>300079</u>	Internal circlips - Ø 62	VS2....O (VSX)	1
7	<u>7285040X</u>	Disc brake washer		1
8	<u>5243420V</u>	Pulley	C32 - MV1706 178/197	1
8	<u>5233420A</u>	Pulley MV1537 150/133	C20	1
9	<u>3231513Q</u>	Rand urn pulley assembly	C20 L - cable 6,5	1
9	<u>3231512P</u>	Rand urn pulley assembly	C20 N - cable 6,5	1
9	<u>3231514R</u>	Rand urn pulley assembly	C20 SL - cable 6,5	1
9	<u>3241511G</u>	Rand urn pulley assembly	C32 L - cable 8,5	1
9	<u>3241512H</u>	Rand urn pulley assembly	C32 SL - cable 8,5	1

## 8. FRAME NHT and LHT

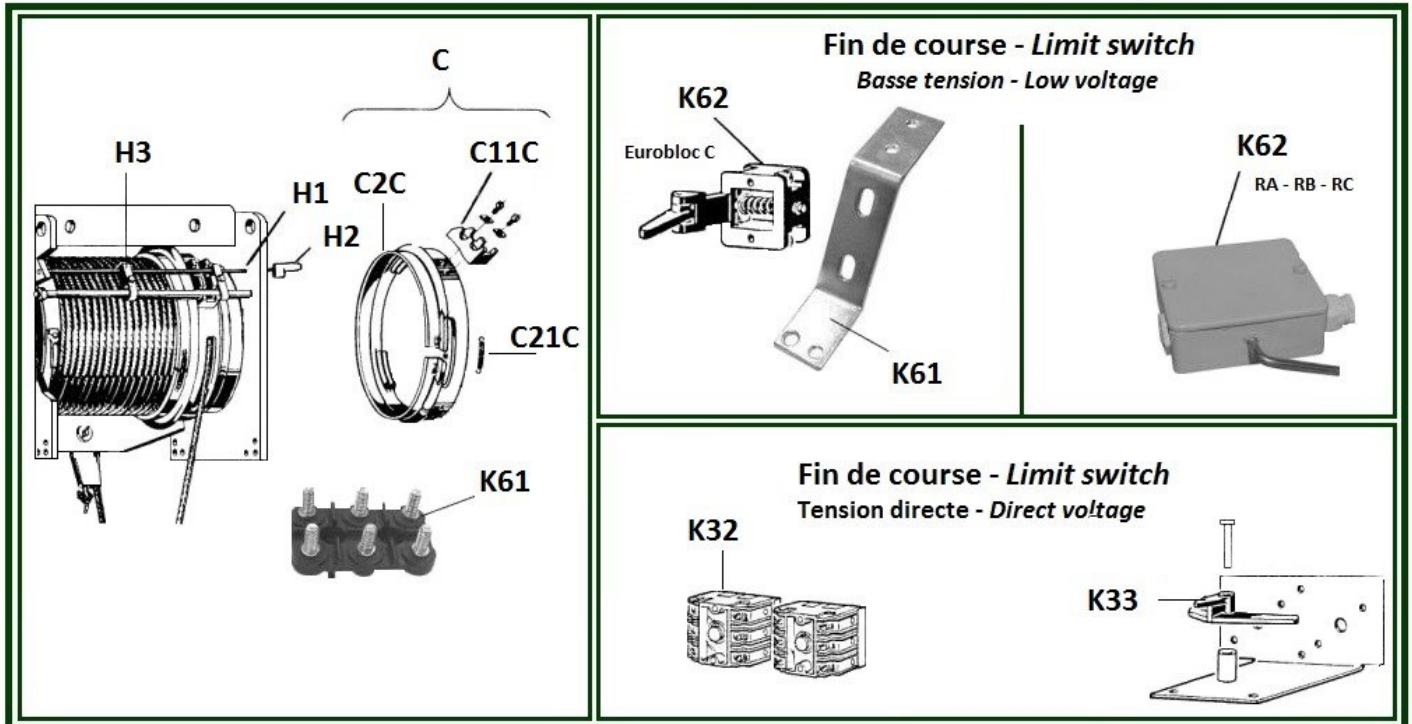
L : Large - N : Normal - SP : Super Long



Frame HPN and HPR

Item	Reference	Description	Observation	Quantity
F1C	<u>5231114U</u>	Side plate motor	NHT	1
F1TC	<u>5231118Y</u>	Side plate motor	L1T	1
F2C	<u>5231113T</u>	Gearbox end plate	NHT	1
F2TC	<u>5231117X</u>	Gearbox end plate	L1T	1
F4C		See chap. 6 item 5		1
F5C	<u>5231302Y</u>	Guide for tappets L	Ø 16	1
F5C	<u>5231301X</u>	Guide for tappets N	Ø 16	1
F5C	<u>5231305B</u>	Guide for tappets SL	Ø 16	1
F8C	<u>5532512A</u>	Crosshead 130 L	Fixed suspended	1
F8C	<u>5532511Z</u>	Crosshead 130 N	Fixed suspended	1
F9C	<u>5231115V</u>	Gearbox end plate	LHT	1
F10C	<u>5231116W</u>	Side plate motor	LHT	1
F22C	<u>5232103U</u>	Grease nipple container		1
F23C	<u>7491234W</u>	Tecalemit nipple		1
F33C	<u>5532206T</u>	Suspension bar L		1
F33C	<u>5532205S</u>	Suspension bar N		1
F33C	<u>5532207U</u>	Suspension bar SL		1
F43C	<u>8533232C</u>	Counterweight		1
F44C	<u>8872124P</u>	Rope feed tube	Length 1 m	1
F412C	<u>5233113S</u>	Threaded rod	Lg 450 - Ø 20	2
F412C	<u>5233114T</u>	Threaded rod	Lg 550 - Ø 20	2
F412C	<u>5233115U</u>	Threaded rod	Lg 700 - Ø 20	2
FA3C	<u>5432580D</u>	Mounting cleat for foot mounted types	Version installed	4
FA34C	<u>5432584H</u>	Axle L	Version applied	1
FA34C	<u>5432583G</u>	Axle N	Version applied	1
FA35C	<u>5432581E</u>	Mounting cleat right	Wall mounted	2
FA35C	<u>5432582F</u>	Mounting cleat left	Wall mounted	2
FC1	<u>5532580Z</u>	Foot mountings	Version suspended	2

## 9. ROPE GUIDE / LIMIT SWITCH



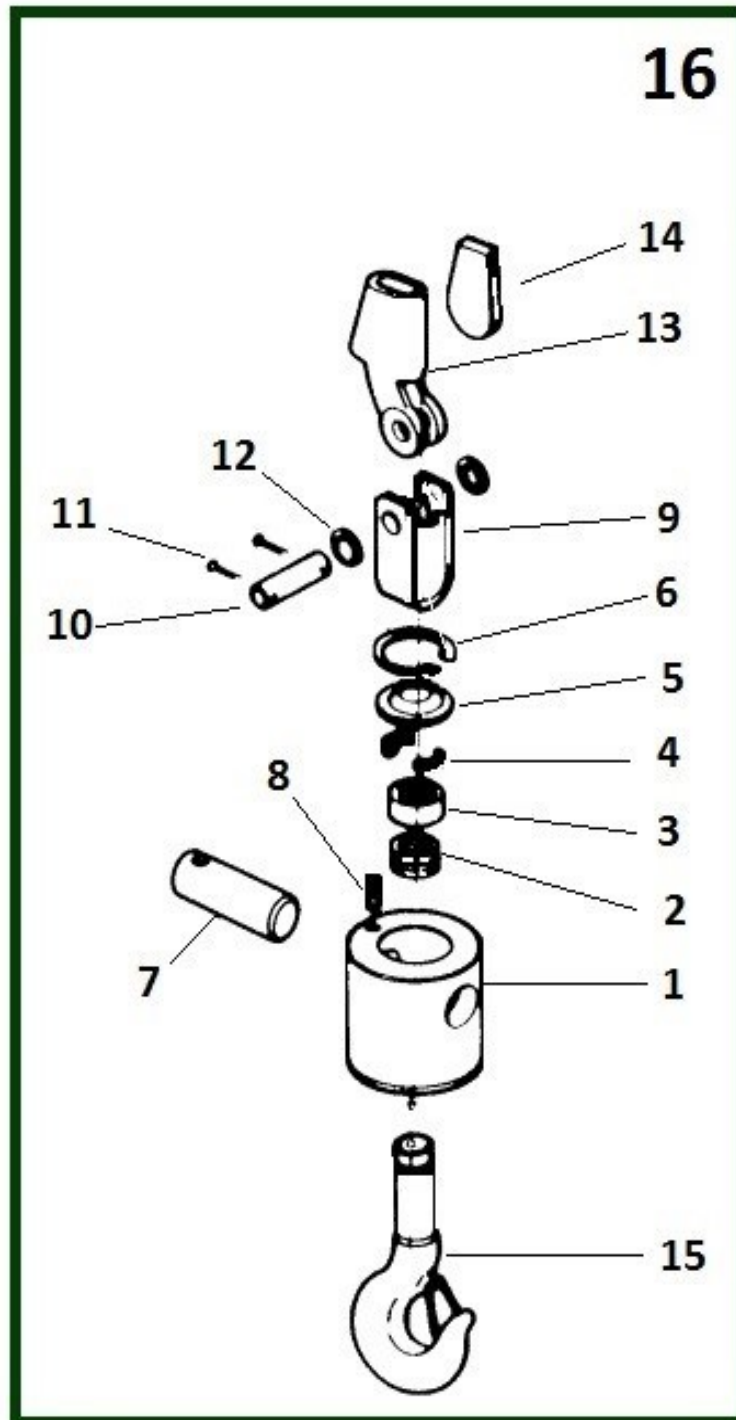
### 9.1. EUROBLOC C

Item	Reference	Description	Observation	Quantity
	<u>831501</u>	Nut M6	Standard	2
	<u>5232316A</u>	Bracket		2
	<u>7233080U</u>	Shakeproof washer		2
	<u>830103</u>	Screw HM		1
	<u>7216453W</u>	Screw TFHC		2
C2C	<u>EP5K202T</u>	Pressure ring with spring 7,5	Rope Ø 6,5	1
C2C	<u>EP15K202T</u>	Pressure ring with spring 10,5	Rope Ø 8,5	1
C11C	<u>5232342D</u>	Traveller for rope guide		1
C11C	<u>5232314Y</u>	Washer		2
C11C	<u>7232080G</u>	Grower washer - Ø 8	VS406...E and F - VS406...G	2
C11C	<u>7215453J</u>	Screw CHC 8x16	C1-C2	2
C21C	<u>5232332T</u>	Pressure ring spring pas 7,5		1
C21C	<u>5242332N</u>	Pressure ring spring pas 10,5		1
C	<u>3232322U</u>	Complete rope guide - 7,5 L	Rope Ø 6,5	1
C	<u>3242320L</u>	Complete rope guide - 10,5 R	Rope Ø 8,5 - Pour C-RC 1/1-2/1-4/1	1
C	<u>EP15K20G</u>	Complete rope guide - 10,5 L	Rope Ø 8,5	1
C	<u>3232320S</u>	Complete rope guide - 7,5 R	Rope Ø 6,5 - Pour C-RA-RB 1/1-2/1-4/1-4/2 & RC 4/2	1
H1	<u>5231332F</u>	Limit switch operating rod L	Lg 525 mm	1
H1	<u>5231331E</u>	Limit switch operating rod N	Lg 375 mm	1
H1	<u>5231333G</u>	Limit switch operating rod SL	Lg 675 mm	1
H2	<u>5231343T</u>	Threaded ferrule for limit rod		1
H3	<u>5231341R</u>	Tappet		2
H3	<u>5231342S</u>	Guide for tappet		2
H3	<u>7232050Z</u>	Washer		2
H3	<u>7211254V</u>	Screw		2
K32	<u>7542211F</u>	Limit switch contact	Direct voltage	2
K33	<u>5642101U</u>	Rocker arm	Direct voltage	1
K60	<u>5632003T</u>	Hoisting limit switch contact bracket	Low voltage	1
K61	<u>7581401D</u>	Hoisting motor terminal block		1
K62	<u>3632111X</u>	Limit switch contact	Low voltage for C	1

## 9.2. RA - RB - RC

Item	Reference	Description	Observation	Quantity
	<u>831501</u>	Nut M6	Standard	2
	<u>5232316A</u>	Bracket		2
	<u>7233080U</u>	Shakeproof washer		2
	<u>830103</u>	Screw HM		1
	<u>7216453W</u>	Screw TFHC		2
C2C	<u>EP5K202T</u>	Pressure ring with spring 7,5	Rope Ø 6,5	1
C2C	<u>EP15K202T</u>	Pressure ring with spring 10,5	Rope Ø 8,5	1
C11C	<u>5232342D</u>	Traveller for rope guide		1
C11C	<u>5232314Y</u>	Washer		2
C11C	<u>7232080G</u>	Washer - Ø 8	VS406...E and F - VS406...G	2
C11C	<u>7215453J</u>	Screw CHC 8x16	C1-C2	2
C21C	<u>5232332T</u>	Pressure ring spring - 7,5		1
C21C	<u>5242332N</u>	Pressure ring spring - 10,5		1
C	<u>3232322U</u>	Complete rope guide - 7,5 L	Rope Ø 6,5	1
C	<u>3242320L</u>	Complete rope guide - 10,5 R	Rope Ø 8,5 - Pour C-RC 1/1-2/1-4/1	1
C	<u>EP15K20G</u>	Complete rope guide - 10,5 L	Rope Ø 8,5	1
C	<u>3232320S</u>	Complete rope guide - 7,5 R	Rope Ø 6,5 For C-RA-RB 1/1-2/1-4/1-4/2 & RC 4/2	1
H1	<u>33141031126</u>	Limit switch operating rod L	Lg 530 mm	1
H1	<u>33141031125</u>	Limit switch operating rod N	Lg 380 mm	1
H1	<u>33141031129</u>	Limit switch operating rod SL	Lg 680 mm	1
H3	<u>5231341R</u>	Tappet		2
H3	<u>5231342S</u>	Guide for tappet		2
H3	<u>7232050Z</u>	Washer		2
H3	<u>7211254V</u>	Screw		2
K32	<u>7542211F</u>	Limit switch contact	Direct voltage	2
K33	<u>5642101U</u>	Rocker arm	Direct voltage	1
K60	<u>5632003T</u>	Hoisting limit switch contact bracket	Low voltage	1
K61	<u>7581401D</u>	Hoisting motor terminal block		1
K62	<u>30140510515</u>	Limit switch contact	Low voltage	1

## 10. HOOK BLOCK 1/1

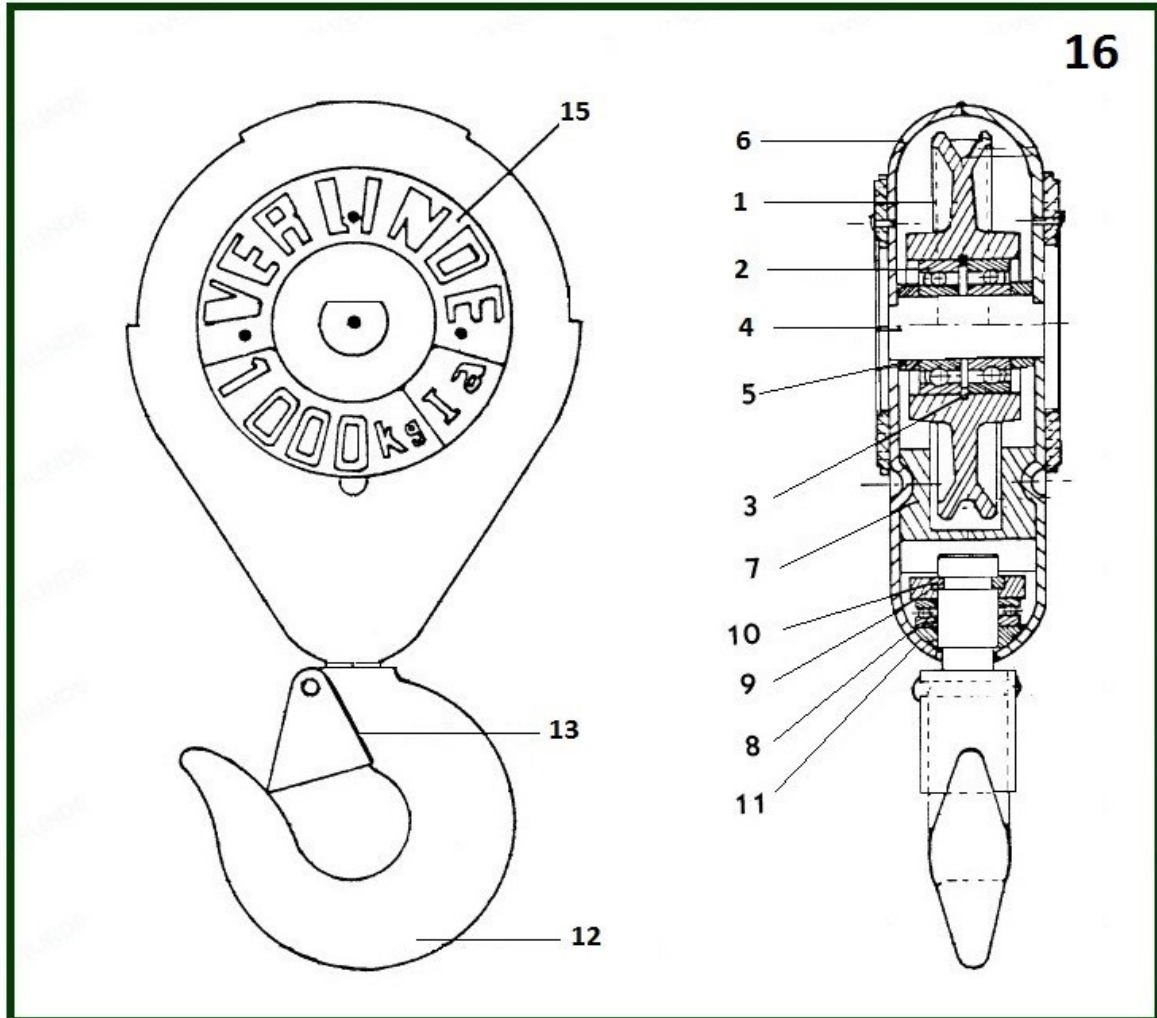


Hook block 1/1

Item	Reference	Description	Observation	Quantity
1	<a href="#">5233610G</a>	Hook block - 1 fall		1
2	<a href="#">7431062S</a>	Thrust bearing		1
3	<a href="#">5233612J</a>	Cylindrical dish	Rope Ø 11 & 12 mm	1
4	<a href="#">5233613K</a>	Half segment ring	Rope Ø 11 & 12 mm	1
5	<a href="#">5233615N</a>	Cover	Rope Ø 11 & 12 mm	1
6	<a href="#">7261080D</a>	Internal circlips - Ø 80		1
7	<a href="#">5233302X</a>	Axle	Rope Ø 11 & 12 mm	1
8	<a href="#">7217434N</a>	Pointed screw	Rope Ø 11 & 12 mm	1
9	<a href="#">5233311G</a>	Crosshead	Rope Ø 11 & 12 mm	1
10	<a href="#">5233312H</a>	Rope anchor pin		1
11	<a href="#">7271404A</a>	Split pin		2
12	<a href="#">7231122R</a>	Washer		2
13	<a href="#">5231410R</a>	Rope attachment		1
14	<a href="#">8536223D</a>	Key cable Ø 6,5		1
14	<a href="#">8536224E</a>	Key cable Ø 8,5		1
15	<a href="#">5233301W</a>	Washer	Rope Ø 11 & 12 mm	1
16	<a href="#">3233310T</a>	Complete hook block	Ø 6.5 mm	1
16	<a href="#">3243310N</a>	Complete hook block	Ø 8.5 mm	1
-	<a href="#">SR32F</a>	Safety catch (wire)	Rope Ø 11 & 12 mm	1



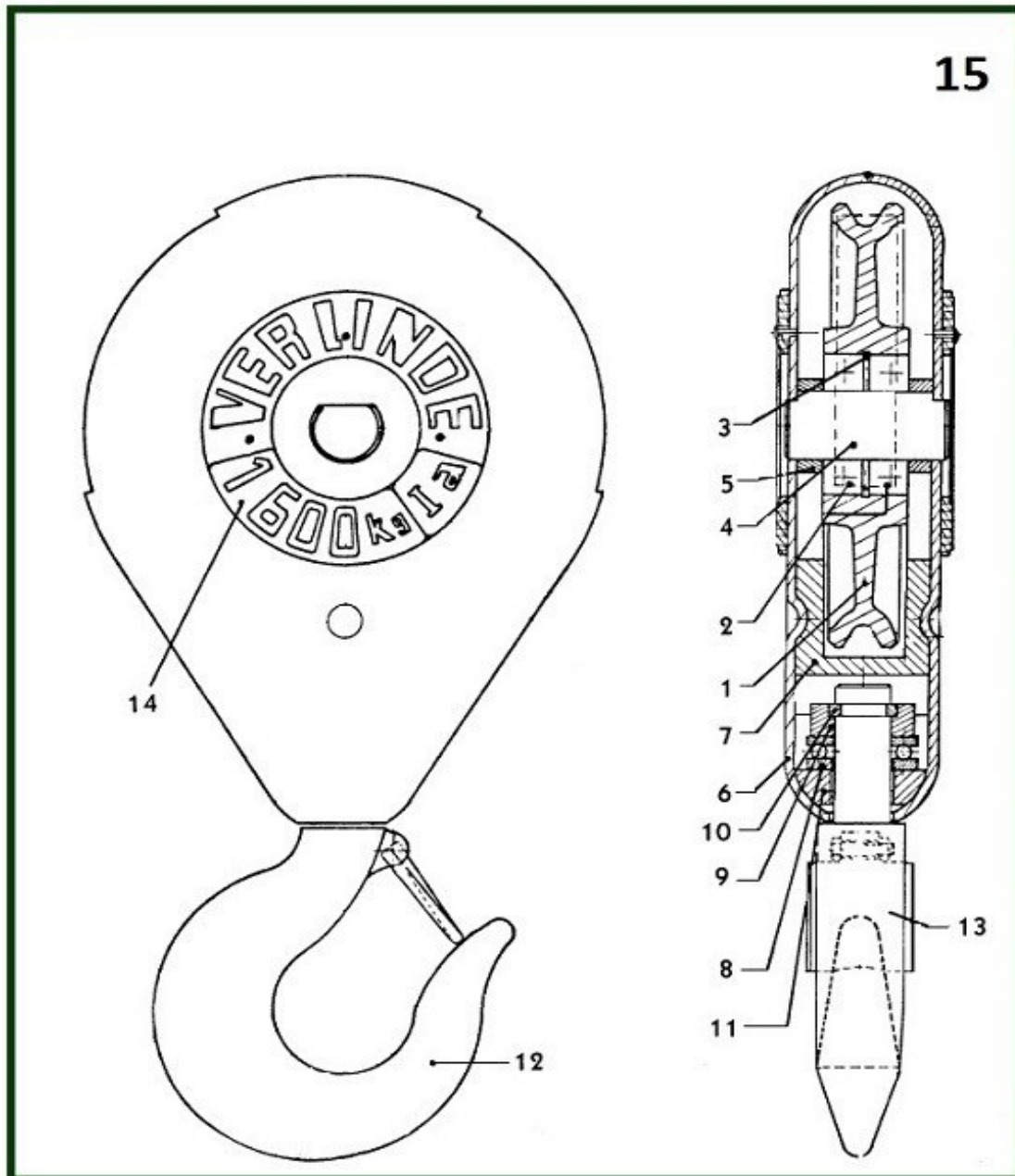
11. HOOK BLOCK 2/1 – 1000 kg for EUROBLOC C and RC



Hook block 2//1 – 1000 Kg for EUROBLOC C and RC

Item	Reference	Description	Observation	Quantity
1	<u>5233420A</u>	Pulley MV1537 150/133	C20	1
2	<u>7412051C</u>	Bearing	C20	2
3	<u>7261052Y</u>	Internal circlips	∅ 52	1
4	<u>5233402F</u>	Pulley axle		1
5	<u>5233421B</u>	Collar		2
6	<u>5233403G</u>	Hook block		2
7	<u>8539231Y</u>	Counterweight		1
8	<u>7431051E</u>	Thrust bearing		1
9	<u>5243412L</u>	Cylindrical dish		1
10	<u>5243413N</u>	Half segment ring		1
11	<u>5233411R</u>	Spherical dish		1
12	<u>5233410Q</u>	Hook with safety-latch only		1
13	<u>SR20XP</u>	Safety latch		1
13	<u>SR20X</u>	Safety latch		1
13	<u>52729685</u>	Safety latch	Hook 5233410Q - Since 2003	1
15	<u>KP12A2</u>	SWL plate sticker - 250 Kg	Indicate the group	2
15	<u>KP12A5</u>	SWL plate sticker - 500 Kg	Indicate the group	2
15	<u>KP12A8</u>	SWL plate sticker - 800 Kg	Indicate the group	2
15	<u>KP12A10</u>	SWL plate sticker - 1000 Kg	Indicate the group	2
16	<u>3233410B</u>	Complete hook block	Rope 6,5	1
	<u>7254409C</u>	Blind rivets		6
	<u>KP3C1CD</u>	Firme plate	VERLINDE	2
	<u>KP3C2</u>	Name plate blank		2

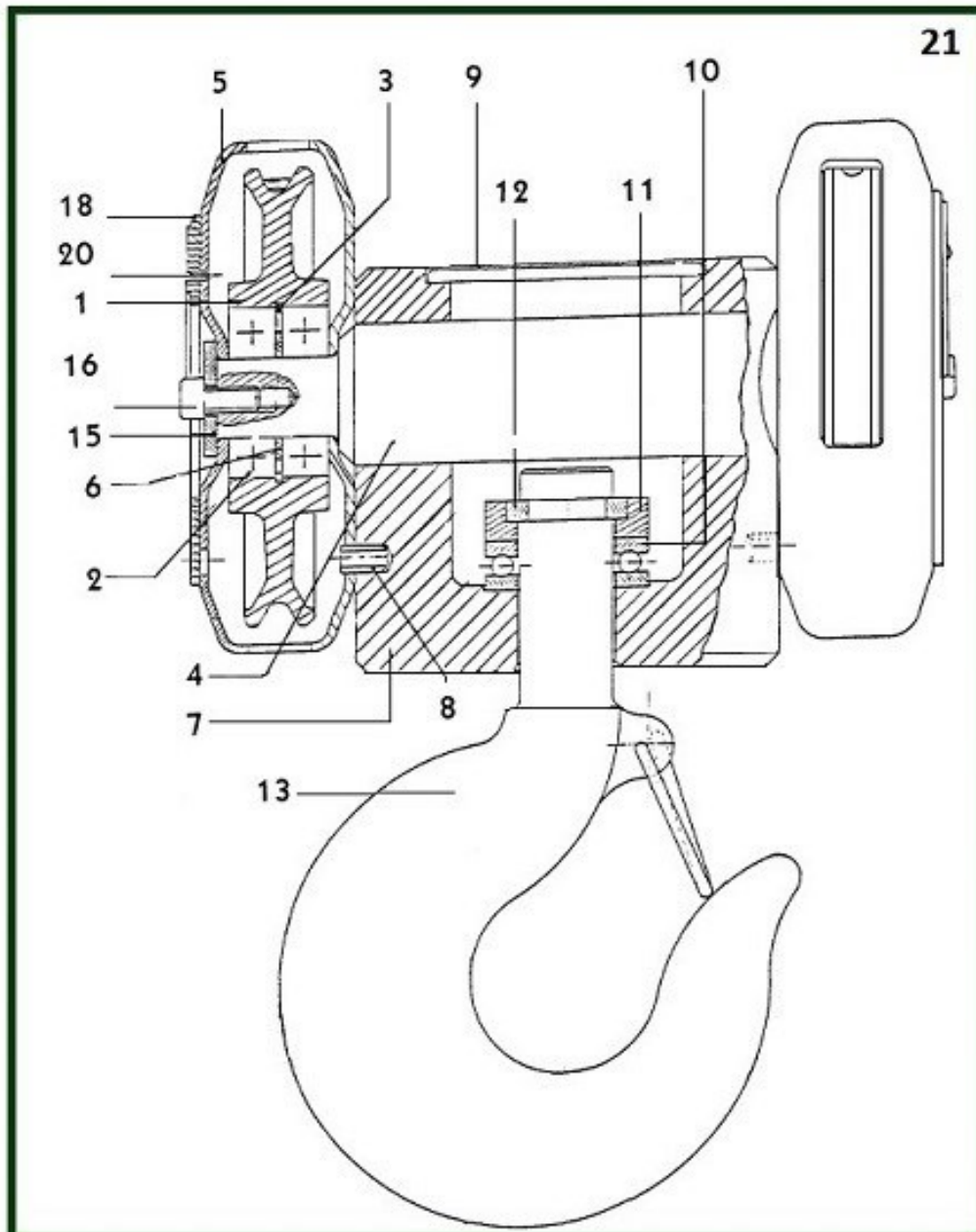
12. HOOK BLOCK 2/1 – 1600 Kg for Eurobloc C and RC



## Hook block 2/1 – 1600 kgs for Euroblock C and RC

Item	Reference	Description	Observation	Quantity
1	<u>5243420V</u>	Pulley	C32 - MV1706 178/197	1
2	<u>7412061P</u>	Bearing	C32 - A,B	2
3	<u>7261062J</u>	Internal circlips	Ø 62	1
4	<u>5243402A</u>	Pulley axle		1
5	<u>5243421W</u>	Collar		2
6	<u>5243403B</u>	Semi-housing		2
7	<u>8539241J</u>	Counterweight		1
8	<u>7431052F</u>	Thrust bearing		1
9	<u>5243412L</u>	Cylindrical dish		1
10	<u>5243413N</u>	Half segment ring		1
11	<u>5243411K</u>	Spherical dish		1
12	<u>5243410J</u>	Hook with safety catch only		1
13	<u>SR20XP</u>	Safety latch		1
13	<u>SR20X</u>	Safety latch		1
13	<u>SR160F</u>	Safety latch (wire)		1
14	<u>7254409C</u>	Blind rivets		6
14	<u>KP12A16</u>	SWL plate	1600 kg	2
14	<u>KP3C1CD</u>	Name plate	VERLINDE	2
14	<u>KP3C2</u>	Name plate blank		2
15	<u>3243410W</u>	Hook block - 2 fall s	Rope Ø 8,5 mm	1

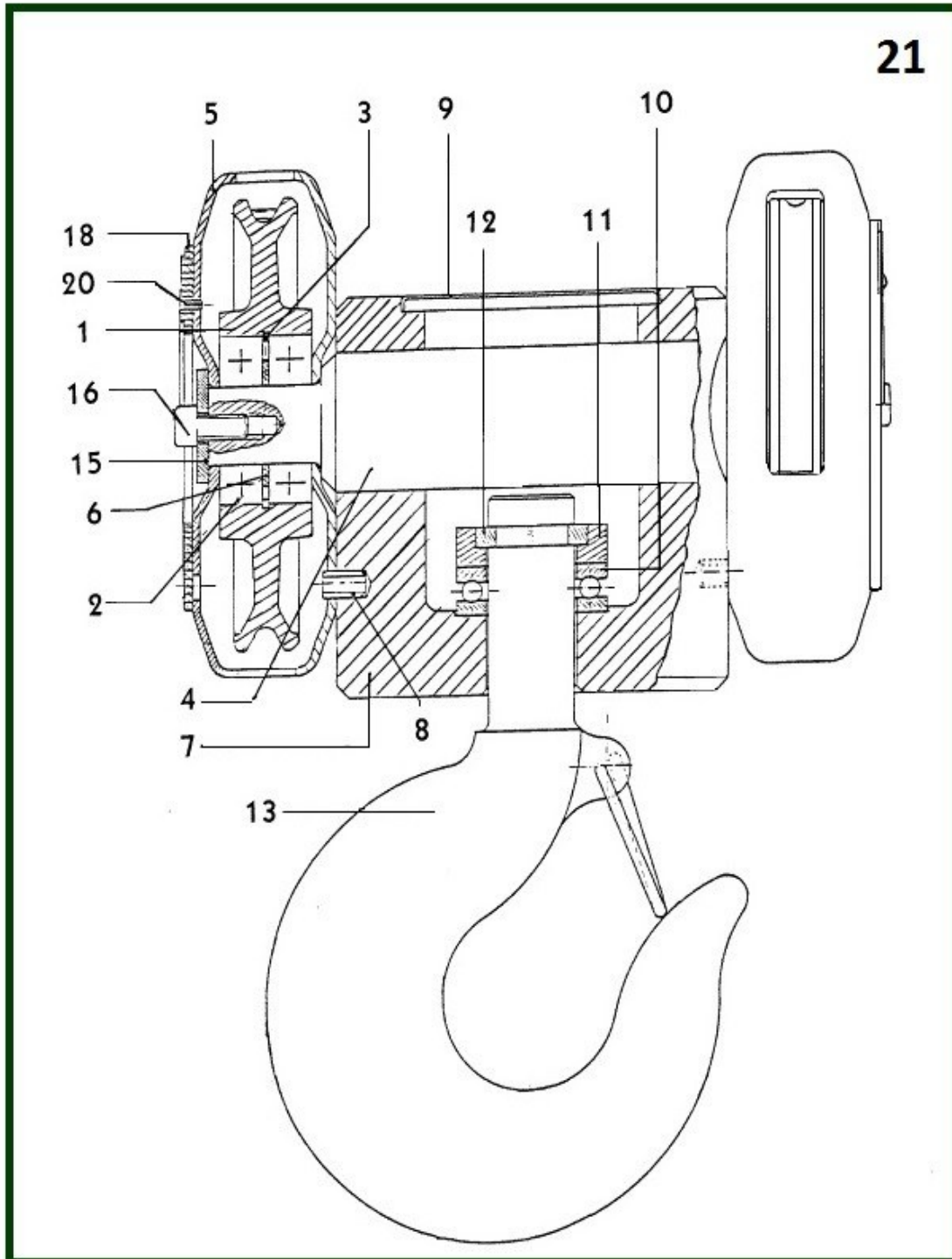
### 13. HOOK BLOCK 4/1 – 2000 Kg for Eurobloc C and RC



## Hook block 4//1 – 2000 Kg for EUROBLOC C and RC

Item	Reference	Description	Observation	Quantity
1	<a href="#">5233420A</a>	Pulley MV1537 150/133	C20	2
2	<a href="#">7412051C</a>	Bearing	C20	4
3	<a href="#">7261052Y</a>	Internal circlips	∅ 52	2
4	<a href="#">5233602Y</a>	Axle		1
5	<a href="#">8651243A</a>	Half hook block casing set		2
6	<a href="#">5233621U</a>	Spacer ring	C20	2
7	<a href="#">5233606C</a>	Hook block body		1
8	<a href="#">7273453C</a>	MECANINDUS pin		2
9	<a href="#">5243615G</a>	Cover		1
10	<a href="#">7431062S</a>	Thrust bearing		1
11	<a href="#">5233612J</a>	Cylindrical dish	Rope ∅ 11 & 12 mm	1
12	<a href="#">5233613K</a>	Half segment ring	Rope ∅ 11 & 12 mm	1
13	<a href="#">SR40X</a>	Safety catch to be welden		1
13	<a href="#">SR32F</a>	Safety catch (wire)	Rope ∅ 11 & 12 mm	1
13	<a href="#">SR30XP</a>	Safety catch to be bolted on fook		1
13	<a href="#">5233610G</a>	Hook block - 1 fall		1
15	<a href="#">7285040X</a>	Disc brake washer		2
16	<a href="#">7215455L</a>	Screw CHC 8 x 25	25 x 25	2
18	<a href="#">KP12A20</a>	SWL plate	2000 kg	2
18	<a href="#">KP3C1CD</a>	Name plate	VERLINDE	2
18	<a href="#">KP3C2</a>	Name plate blank		2
20	<a href="#">7254409C</a>	Blind rivets		6
21	<a href="#">3233610U</a>	Complete hook block	Rope - ∅ 6,5	1

14. HOOK BLOCK 4/1 – 3200 Kg for Eurobloc C and RC

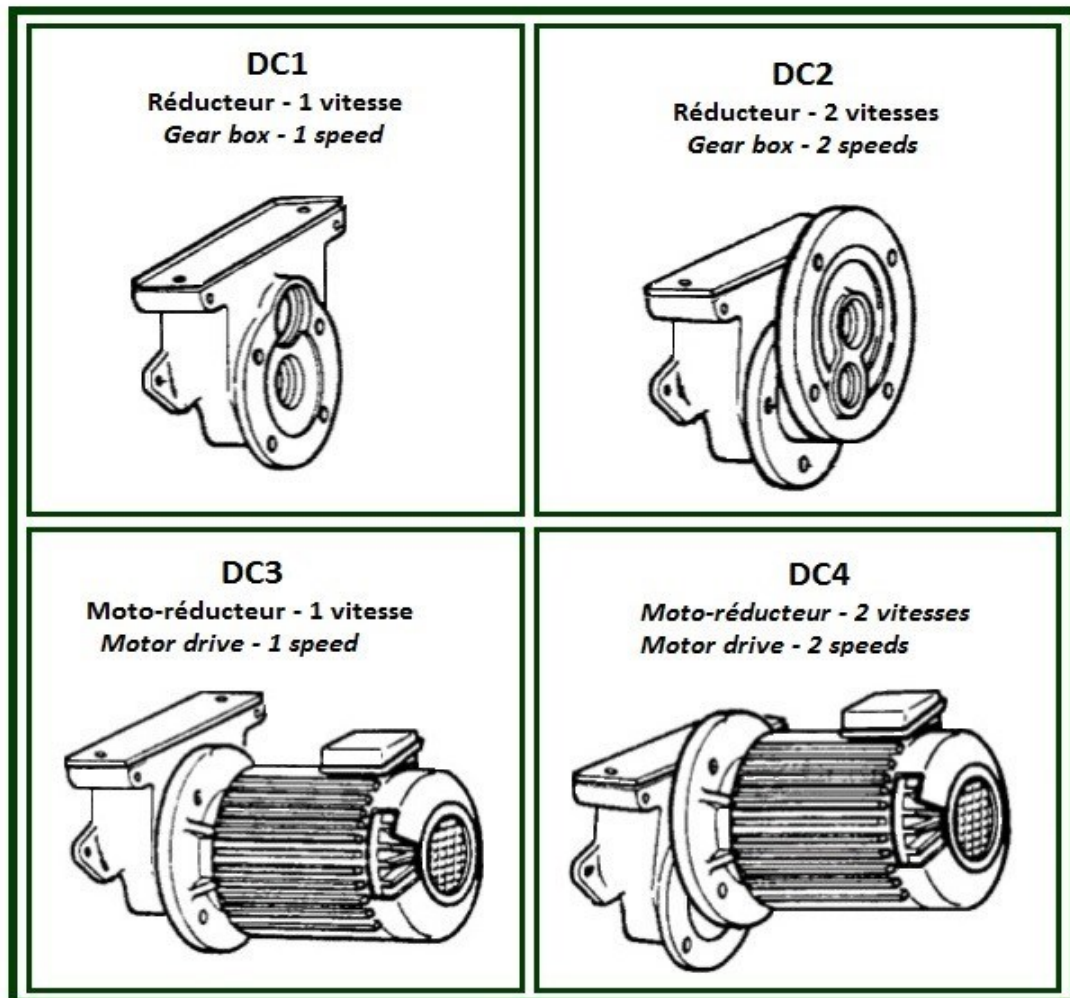


Hook block 4//1 – 3200 Kg for EUROBLOC C and RC

Item	Reference	Description	Observation	Quantity
1	<a href="#">5243420V</a>	Pulley	C32 - MV1706 178/197	2
2	<a href="#">7412061P</a>	Bearing	C32 - A,B	4
3	<a href="#">7261062J</a>	Internal circlips	∅ 62	2
4	<a href="#">5243602T</a>	Pulley axle	Before September 1989	1
4	<a href="#">5243607Y</a>	Pulley axle	Before September 1989	1
4	<a href="#">5243603U</a>	Half hook block casing set	Before September 1989	2
5	<a href="#">5243608Z</a>	Set from semi-housing	Before September 1989	2
6	<a href="#">5243621P</a>	Washer	C32	2
7	<a href="#">5243606X</a>	Hook block body		1
8	<a href="#">7273453C</a>	MECANINDUS pin		2
9	<a href="#">5243615G</a>	Cover		1
10	<a href="#">7431081N</a>	Thrust bearing		1
11	<a href="#">5243612D</a>	Cylindrical dish		1
12	<a href="#">5243613E</a>	2 parts collar		1
13	<a href="#">5243610B</a>	Hook with safety catch only		1
13	<a href="#">SR40XP</a>	Safety catch to be bolted on hook		1
13	<a href="#">SR40X</a>	Safety catch to be welded		1
13	<a href="#">SR40E</a>	Safety catch (wire)		1
15	<a href="#">7285040X</a>	Disc brake washer		2
16	<a href="#">820203</a>	Screw HM	C2	2
18	<a href="#">KP12A32</a>	SWL plate	3200 kg	2
18	<a href="#">KP3C1CD</a>	Name plate	VERLINDE	2
18	<a href="#">KP3C2</a>	Name plate blank		2
20	<a href="#">7254409C</a>	Blind rivets		6
21	<a href="#">3243611Q</a>	Complete hook block	Rope ∅ 8,5	1



## 15. MOTORGEAR - Old generation



### 15.1. DC 1

Item	Reference	Description	Observation	Quantity
DC1	<u>3434010V</u>	Gear - 20 or 30 m/mn - 17 teeth	D - 1 speed - Plus fourni	1

### 15.2. DC 2

Item	Reference	Description	Observation	Quantity
DC2	<u>3434015A</u>	Gear - 2 speeds	B 15/3,75m/mn - Plus fourni	1
DC2	<u>3434014Z</u>	Gear - 3 speeds 17 teeth	C 2,5 m/mn or 10/2,5 m/mn Plus fourni	1
DC2	<u>3434012X</u>	Gear - 7,5 m/mn or 15 m/mn 17 teeth	E - 2 speeds - Plus fourni	1
DC2	<u>3434011W</u>	Gear - 10 or 20/5 m/mn 17 teeth	D - 2 speeds - Plus fourni	1

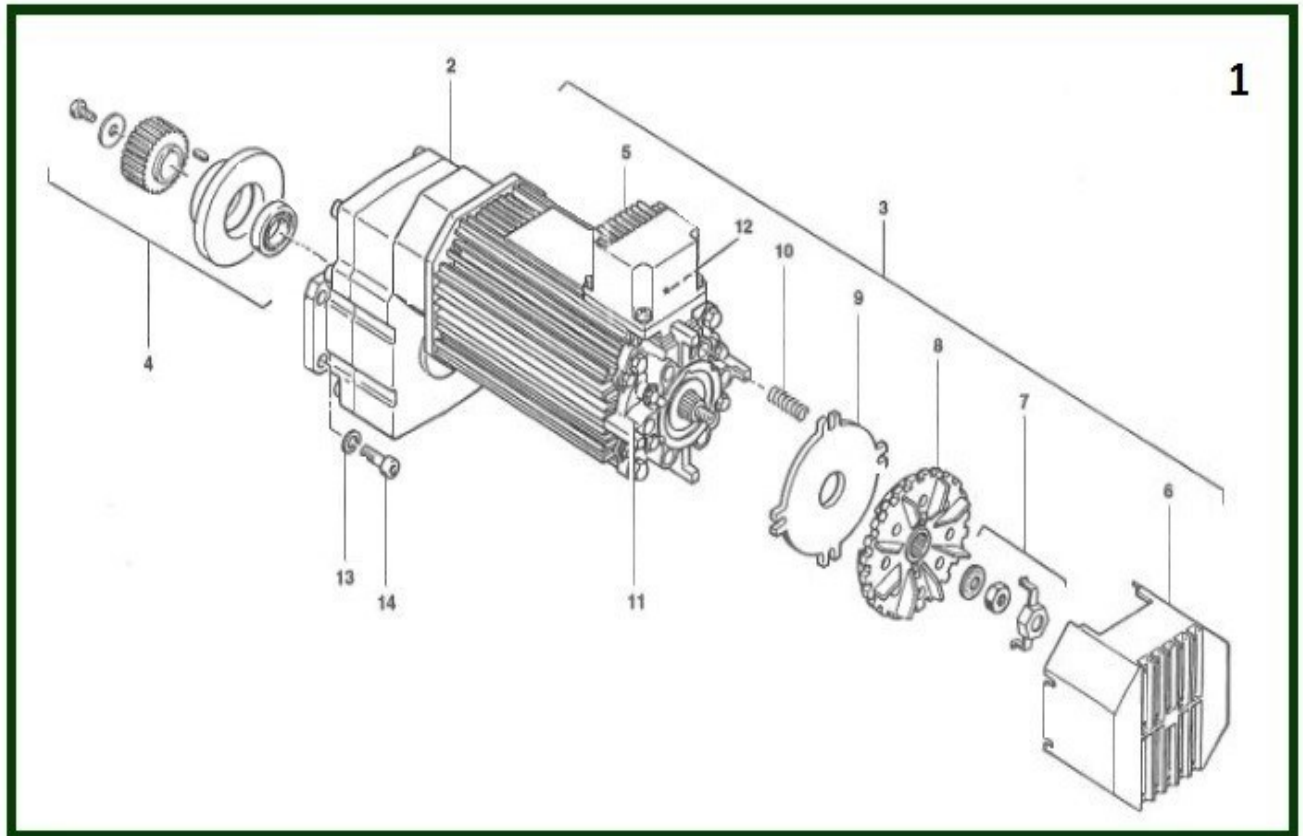
### 15.3. DC 3

Item	Reference	Description	Observation	Quantity
DC3	<u>2537113G</u>	Motorgear	2,5 m/mn - Plus fourni	1
DC3	<u>2437321N</u>	Motorgear	5 m/mn - 220/380V - Plus fourni	1
DC3	<u>2537133D</u>	Motorgear	7,5 m/mn - Plus fourni	1
DC3	<u>2537153A</u>	Motorgear	15 m/mn - Plus fourni	1
DC3	<u>2537163L</u>	Motorgear	20 m/mn - 220/380V - Plus fourni	1
DC3	<u>2437161P</u>	Motorgear	30 m/mn - 220/380V - Plus fourni	1
DC3	<u>2537143Q</u>	Motorgear - 1 speed	10 m/mn - 220/380V - Plus fourni	1

15.4. DC 4

Item	Reference	Description	Observation	Quantity
DC4	<u>7350771U</u>	Motor - 1 speed- LS71FAST 0,37Kw	Bride 165/200 Ba 14x30 1500t/mn 240/415V – <b>Not any more supplied</b>	1
DC4	<u>7350151V</u>	Brake motor LS71 FCR 180V 0,25Kw 1000tr/mn	Br/FI 140 - BA/OS 14x30 230V/400V 50Hz <b>Not any more supplied</b>	1
DC4	<u>7350271A</u>	Brake motor LS71 FCR 180V 0,37Kw 1500tr/mn	Br/FI 200 - BA/OS 14x30 230V/400V 50Hz <b>Not any more supplied</b>	1
DC4	<u>7352401R</u>	Brake motor LS71 FCR 180V 0,55/0.12 Kw 3000/750tr/mn	Br/FI 200 - BA/OS 14x30 230V/380V 50Hz <b>Not any more supplied</b>	1
DC4	<u>7350272B</u>	Brake motor LS71 FCR 0,37Kw 1500tr/mn	Br/FI 140 - BA/OS 14x30 230V/400V 50Hz <b>Not any more supplied</b>	1
DC4	<u>7352011S</u>	Brake motor LS80 FCR 180V 0,18Kw 750tr/mn	EA-E - E LHT72 Br/FI 165/200 - BA/OS 14x30 230V/400V 50Hz <b>Not any more supplied</b>	1
DC4	<u>2537263V</u>	Motorgear	20/5 m/mn - 220/380V <b>Not any more supplied</b>	1

## 16. MOTORGEAR – New generation



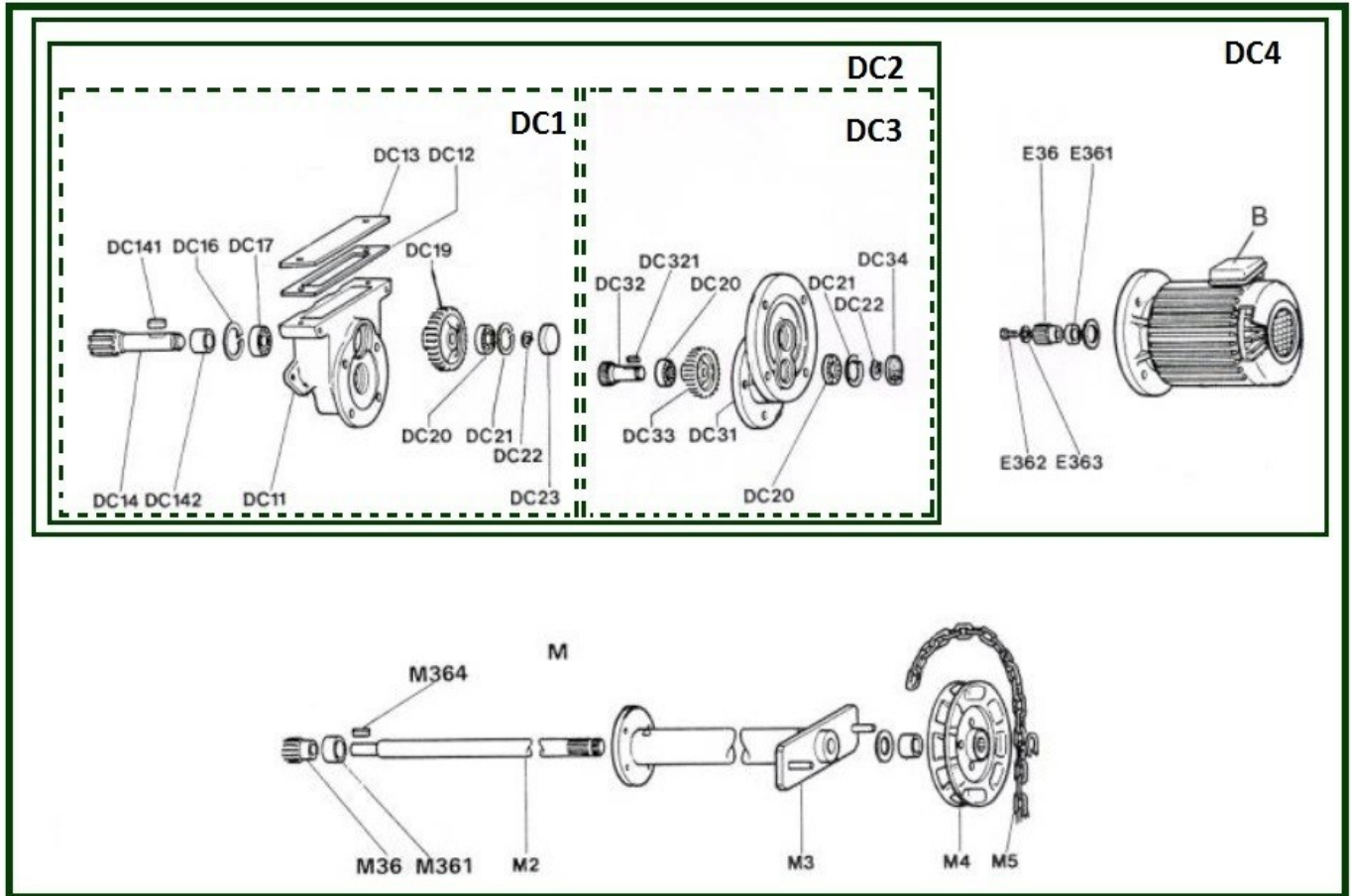
Motorgear – New generation

Item	Reference	Description	Observation	Quantity
1	<a href="#">15080112</a>	Motorgear 10/2,5 m/min 220 V	MF07	1
1	<a href="#">15080113</a>	Motorgear 10/2,5 m/min 380 V	MF07	1
1	<a href="#">15080114</a>	Motorgear 10/2,5 m/min 415 V	MF07	1
1	<a href="#">15080122</a>	Motorgear 20/5 m/min 220 V	MF07	1
1	<a href="#">15080123</a>	Motorgear 20/5 m/min 380 V	MF07	1
1	<a href="#">15080124</a>	Motorgear 20/5 m/min 415 V	MF07	1
1	<a href="#">15080132</a>	Motorgear 30/7,5 m/min 220 V	MF07	1
1	<a href="#">15080133</a>	Motorgear 30/7,5 m/min 380 V	MF07	1
2	<a href="#">15034010</a>	Gearbox	10/2,5 m/min GS340 RPL	1
2	<a href="#">15032020</a>	Gearbox	20/5 m/min GS320 RPL	1
2	<a href="#">15031330</a>	Gearbox	30/7 m/min GS313RPL	1
3	<a href="#">25808102</a>	Travelling motor MF07LA104 3000/750t/mn-220V/50Hz-0,25/0,06Kw	Wieland plug before April 1999	1
3	<a href="#">25808103</a>	Travelling motor MF07LA104 3000/750t/mn - 380V/50Hz - 0,25/0,06kw	Wieland plug before April 1999	1
3	<a href="#">25808104</a>	Travelling motor MF07LA104 3000/750t/mn-415V/50Hz-W415V- 0,25/0,06kw	Wieland plug before April 1999	1
3	<a href="#">25809103</a>	Travelling motor MF07LB104+PTC 3000/750t/mn - 380V/50Hz - 0.25/0.06kw	Wieland plug before April 1999	1
4	<a href="#">15803206</a>	Sealing set	Gear GS2-GS3	1
4	<a href="#">15002050</a>	Motorgearbox pinions set	Type C - 27 teeth	1
4	<a href="#">15803204</a>	Set of bearings	Gear GS 313-315-320-325-332 RPL	1
4	<a href="#">15803205</a>	Set of bearings	Gear GS 340 RPL	1
5	<a href="#">15522001</a>	Complete connecting plastic box		1
6	<a href="#">15822001</a>	Fan cover		1
7	<a href="#">15823005</a>	Brake disc locking set		1
8	<a href="#">15823004</a>	Brake wheel avec garniture		1
9	<a href="#">15823003</a>	Brake wheel fixe		1

Motorgear – New generation

Item	Reference	Description	Observation	Quantity
10	<u>15823002</u>	Set of 6 brake springs	MF07LA104/2NM : qty 3 MF07LA206/2.6NM : qty 4 MF07LB104/2.6NM : qty 4 MF07ZC104/4NM : qty 6 MF07S104/2NM : qty 3	1
11	<u>15823001</u>	Brake coil with holder	170V	1
12	<u>15823007</u>	Rectifier	For motor 220V	1
12	<u>15823006</u>	Rectifier	For motor 380 to 550V	1
13	<u>7232100D</u>	Washer grower	Standard - Automatic brake DIN12	1
14	<u>7215555V</u>	Screw BTR 10 x 25		1

## 17. ELECTRIC TRAVEL AND CHAIN TRAVEL



Electric travel and chain travel

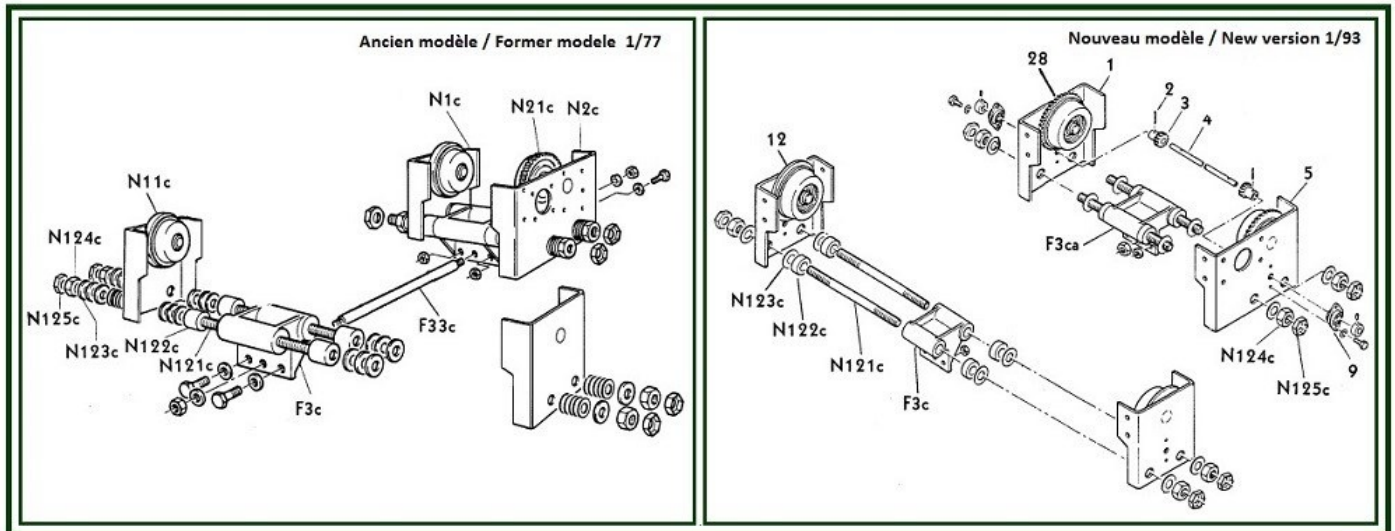
Item	Reference	Description	Observation	Quantity
	<u>8913045T</u>	Lubricant sand Hoisting gear and travelling gear type C, D, E, F and EUROCHAIN 1, 2, 3	1,5 kg of MULTIS EP200	1
B	<u>BR288</u>	Motor connecting box		1
DC11	<u>5434104K</u>	Gear case	1 speed - <b>Not any more supplied</b>	1
DC12	<u>5434103J</u>	Seal		1
DC13	<u>5434105L</u>	Cover		1
DC14	<u>5534211X</u>	Drive pinion shaft - 17 teeth	LHT72	1
DC14	<u>5434212C</u>	Drive pinion shaft - 17 teeth	Model 77	1
DC16	<u>300077</u>	Internal circlips	D and DA - 1/77	1
DC17	<u>7412045W</u>	Bearing		1
DC19	<u>5434201R</u>	Gear - 93 teeth		1
DC20	<u>7464510Y</u>	SIMRIT seal	20 or 30 m/mn - 5-10 or 20/5	1
DC20	<u>7460710T</u>	SIMRIT seal	30/7.5 m/mn	1
DC20	<u>7415040B</u>	Bearing		1
DC21	<u>7261042N</u>	Internal circlips		1
DC23	<u>5434203T</u>	Watertight cap		1
DC31	<u>5434501S</u>	Gear case - 2 speeds		1
DC32	<u>5434611L</u>	Pinion shaft - 23 teeth		1
DC33	<u>5434602B</u>	Gear - 64 teeth	30/7.5 m/mn	1
DC33	<u>5434601A</u>	Gear - 69 teeth	5-10-20/5 m/mn	1
DC34	<u>5434603C</u>	Cover 42		1
DC321	<u>7282062K</u>	Pinion key - 23 teeth	2 BR 6x6x20 - <b>Not any more supplied</b>	1
E36	<u>5438103G</u>	Motor pinion- 32 teeth	EA-E - E LHT72 - Bore 14 - B,C,E	1
E36	<u>5438101E</u>	Motor pinion - 23 teeth	EA-E - E LHT72 - Bore 14 - A,D	1
E361	<u>5438111R</u>	Motor pinion- 23 teeth	EA-E - E LHT72 - A,D	1
E361	<u>5438112S</u>	Motor pinion - 32 teeth	EA-E - E LHT72 - B,C,E	1
E362	<u>830010</u>	Screw HM 5 x 20		1
E363	<u>5438121B</u>	End shaft washer - Ø 5		1
M1	<u>5433203F</u>	Pinion 17 teeth - manual steering	All types	1



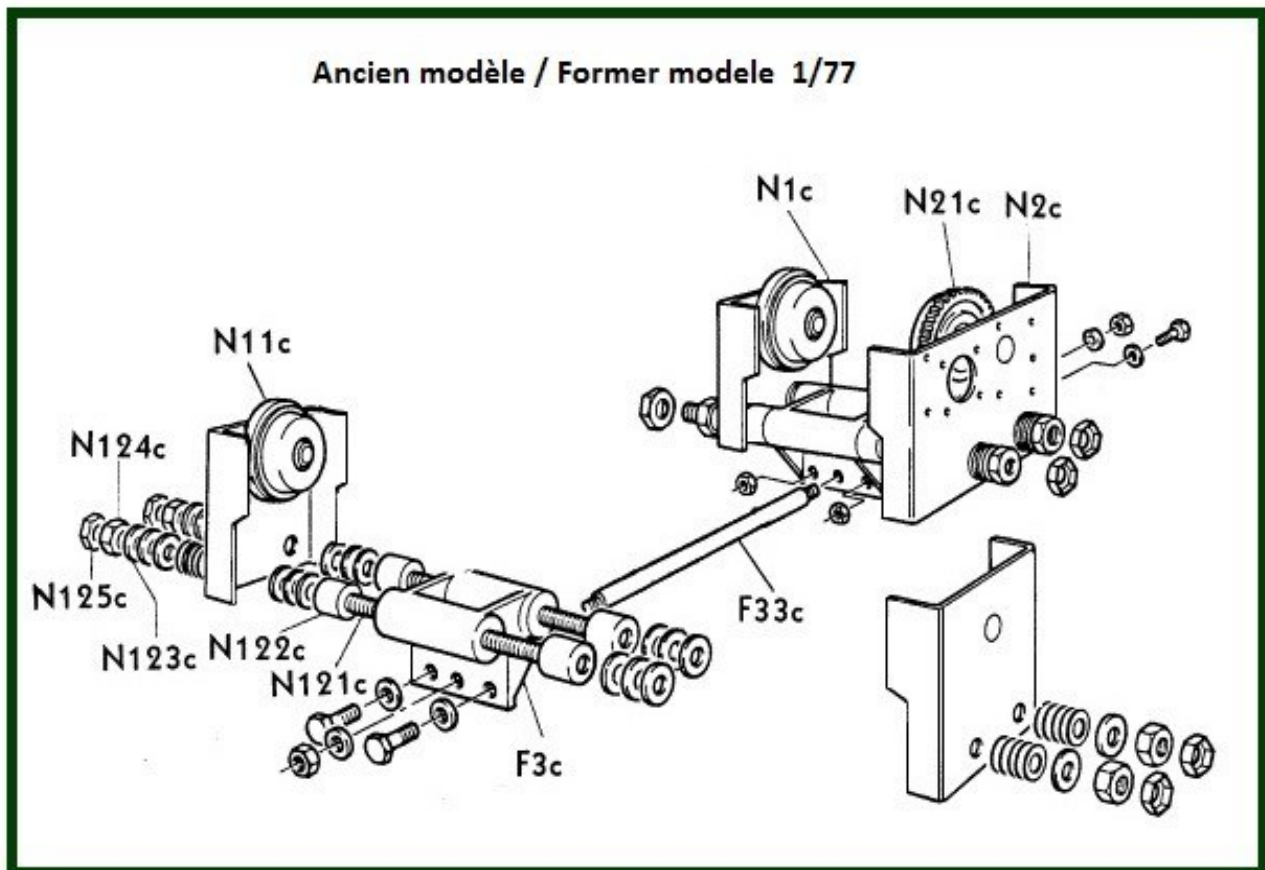
Electric travel and chain travel

Item	Reference	Description	Observation	Quantity
M2	<u>5433202E</u>	Drive shaft	NHT 1/77-NHT /1/93	1
M2	<u>5533202A</u>	Drive shaft	LHT1/77	1
M2	<u>15037005</u>	Drive shaft	LHT1/93	1
M3	<u>5533203B</u>	Support tube	NHT 1/77NHT 1/93	1
M3	<u>5533204C</u>	Support tube - NHT	Normal Headroom Trolley	1
M3	<u>5543203W</u>	Support tube - LHT	Low Headroom Trolley	1
M4	<u>5433215U</u>	Chain wheel	All types	1
M5	<u>7402626H</u>	Chain5 x 27.1	According to raised height	1
M43	<u>830860</u>	Exterior circlip	C2 - 1001 to 2000 Kgs	2
M	<u>3533211X</u>	Chain drive	NHT 1/77	1
M	<u>15001041</u>	Chain drive	NHT 1/93	1
M	<u>3533212Y</u>	Chain drive	LHT 1/77	1
M	<u>3533213Z</u>	Chain drive	LHT 1/93	1

## 18. TROLLEY 1/77 and 1/93



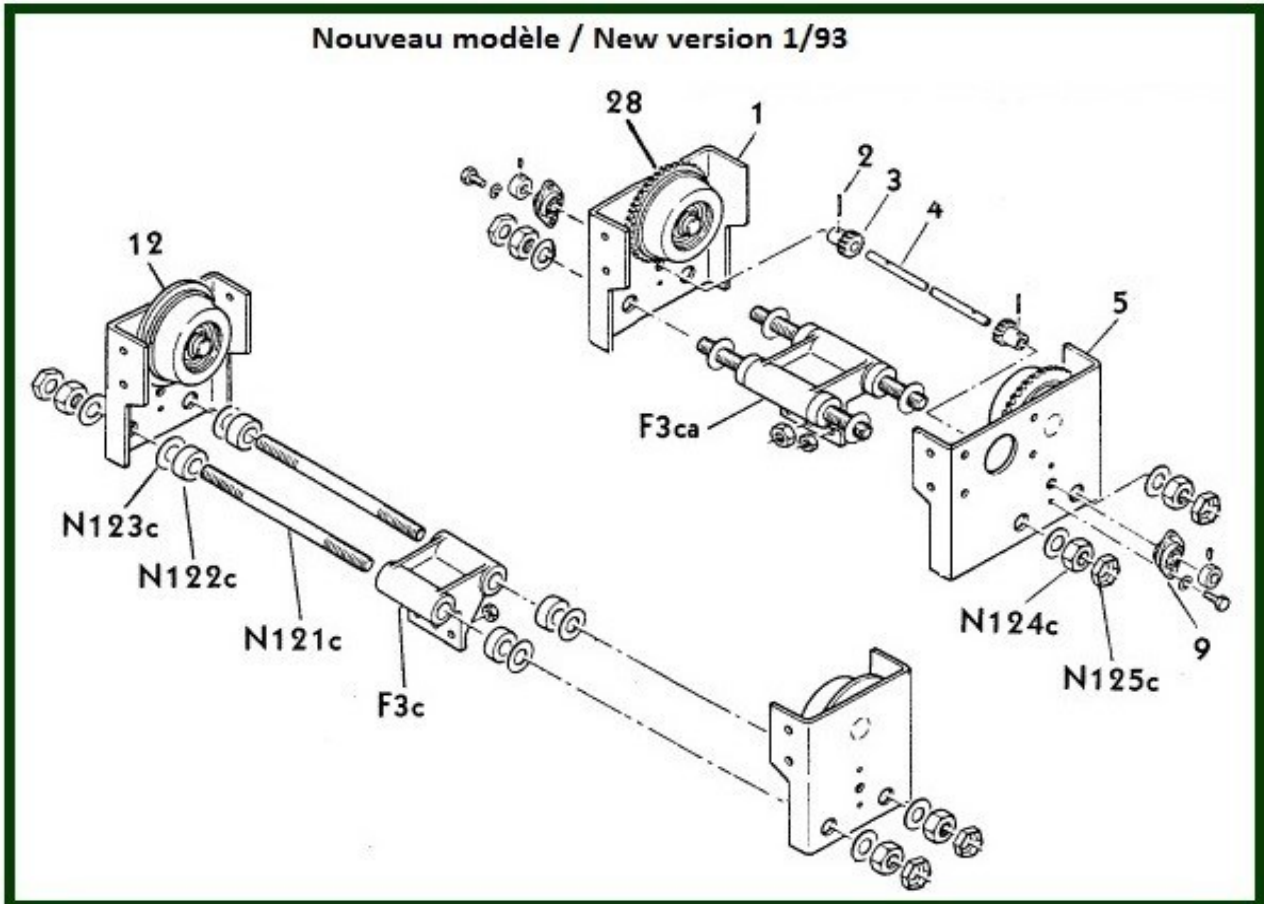
18.1. Trolley 1/77 - Old model



Trolley 1/77 – Old model

Item	Reference	Description	Observation	Quantity
	<u>5532255W</u>	Coupling bracket	Only C325L	1
	<u>5532253U</u>	Crosshead	Only C325L	1
F3c	<u>5532252T</u>	Crosshead		1
F33c	<u>5532254V</u>	Suspension bar	Only C325L	1
F33c	<u>5532206T</u>	Suspension bar L		1
F33c	<u>5532205S</u>	Suspension bar N		1
F33c	<u>5532207U</u>	Suspension bar SL		1
N1c	<u>3531111Q</u>	Ungeared side plate with wheel	Model I/77	3
N1c	<u>5531111C</u>	Ungeared side plate only with axle	Model I/77	3
N2c	<u>3531311G</u>	Geared side plate wheel	Model I/77	1
N2c	<u>5531311V</u>	Geared side plate only with axle	Model I/77	1
N11c	<u>4531111W</u>	Ungeared wheel with bearing without axle	I/77 - Ø 100/127	3
N21c	<u>4531311P</u>	Geared wheel with bearing without axle	I/77 - Ø 100/127	1
N121c	<u>5432101H</u>	Spacer	Lg 280 mm - Ø 24	4
N121c	<u>5432102J</u>	Spacer	Lg 375 mm - Ø 24	4
N121c	<u>5432103K</u>	Spacer	Lg 410 mm - Ø 24	4
N121c	<u>5432107Q</u>	Spacer	Lg 500 mm - Ø 24	4
N122c	<u>5432116Z</u>	Spacer ring	Lg 26 mm	4
N122c	<u>5432117A</u>	Spacer ring	Lg 49 mm	4
N123c	<u>7152411K</u>	Adjustment washer	1mm	4
N123c	<u>7152421W</u>	Adjustment washer	2 mm	4
N123c	<u>7231241V</u>	Adjustment washer	Ep. / Th 3 mm	4
N124c	<u>7221240Z</u>	Nut		8
N125c	<u>7223240Y</u>	PAL nut		8

18.2. Trolley 1/93 - New model



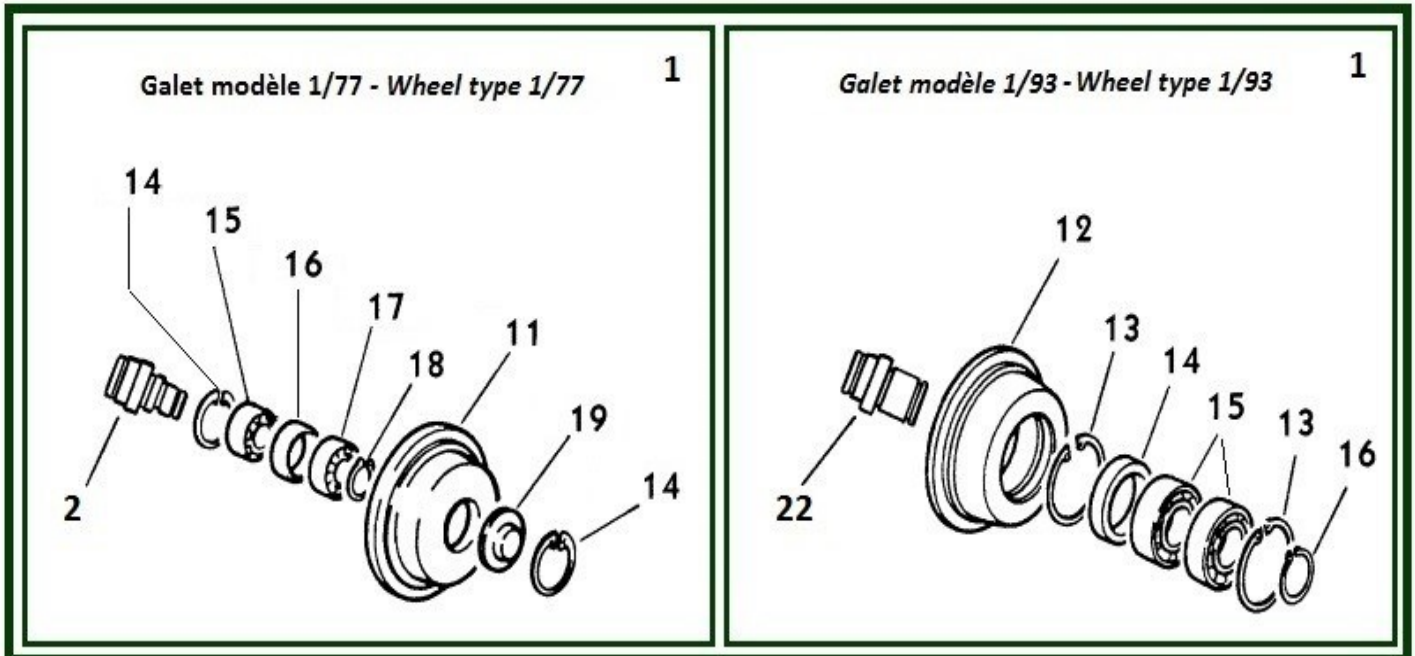
## Trolley 1/93 – New model

Item	Reference	Description	Observation	Quantity
1	<a href="#">15001003</a>	Side plate driving	NHT 1/77 - Model 07/89	1
1	<a href="#">15025001</a>	Ungeared side plate only with axle	Motor LS	1
2	<a href="#">7273255N</a>	Pin		2
3	<a href="#">15020001</a>	Intermediate pinion	18 teeth	2
4	<a href="#">15015001</a>	Shaft	Lg 249 mm	1
4	<a href="#">15015002</a>	Shaft	Lg 296 mm - Model LS 07/89	1
4	<a href="#">15015003</a>	Shaft	Lg 346 mm - Fer inférieur or égal to 200mm	1
4	<a href="#">15015004</a>	Shaft	Lg 394 mm	1
4	<a href="#">15015005</a>	Shaft	Lg 446 mm	1
5	<a href="#">15001002</a>	Side plate driving	Model LS 07/89	1
5	<a href="#">15001013</a>	Side plate driving	Motor MF	1
5	<a href="#">15025002</a>	Geared side plate only with axle	Motor LS 07/89	1
5	<a href="#">15025011</a>	Side plate only + axle	MF 07 - 1/93	1
9	<a href="#">7447101A</a>	Ball race		2
12	<a href="#">15001004</a>	Ungeared wheel with fittings without axle	∅ 100 - Model 07/89	2
27	<a href="#">15001001</a>	Idler frame plate with fittings	1/93	2
28	<a href="#">15001005</a>	Geared wheel with fittings without axle	∅ 100 - Model 07/89	2
	<a href="#">5532254V</a>	Suspension bar	Only C325L	1
	<a href="#">5532255W</a>	Coupling bracket	Only C325L	1
	<a href="#">7541312D</a>	Limit switch		1
	<a href="#">5532253U</a>	Crosshead	Only C325L	1
F3c	<a href="#">5532252T</a>	Crosshead		1
F3ca	<a href="#">14103-3197</a>	Crosshead	Côté synchro	1
N121c	<a href="#">5432101H</a>	Spacer	Lg 280 mm - ∅ 24	4
N121c	<a href="#">5432102J</a>	Spacer	Lg 375 mm - ∅ 24	4
N121c	<a href="#">5432103K</a>	Spacer	Lg 410 mm - ∅ 24	4
N121c	<a href="#">5432107Q</a>	Spacer	Lg 500 mm - ∅ 24	4

Trolley 1/93 – New model

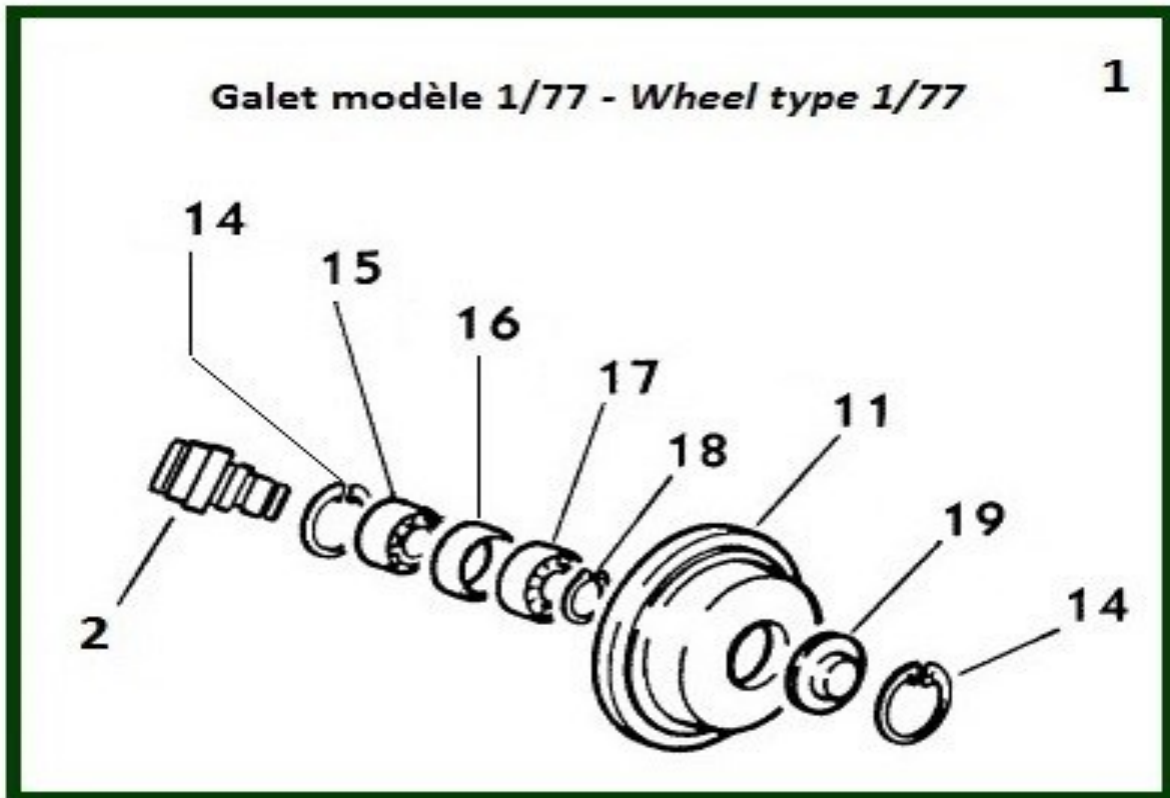
Item	Reference	Description	Observation	Quantity
N122c	<u>5432116Z</u>	Spacer ring	Lg 26 mm	4
N122c	<u>5432117A</u>	Spacer ring	Lg 49 mm	4
N123c	<u>7152411K</u>	Adjustment washer	1mm	1
N123c	<u>7152421W</u>	Adjustment washer	2 mm	1
N123c	<u>7231241V</u>	Adjustment washer	Ep. 3 mm	1
N124c	<u>7221240Z</u>	Nut		8
N125c	<u>7223240Y</u>	PAL nut		8

## 19. WHEEL S1/77 and 1/93



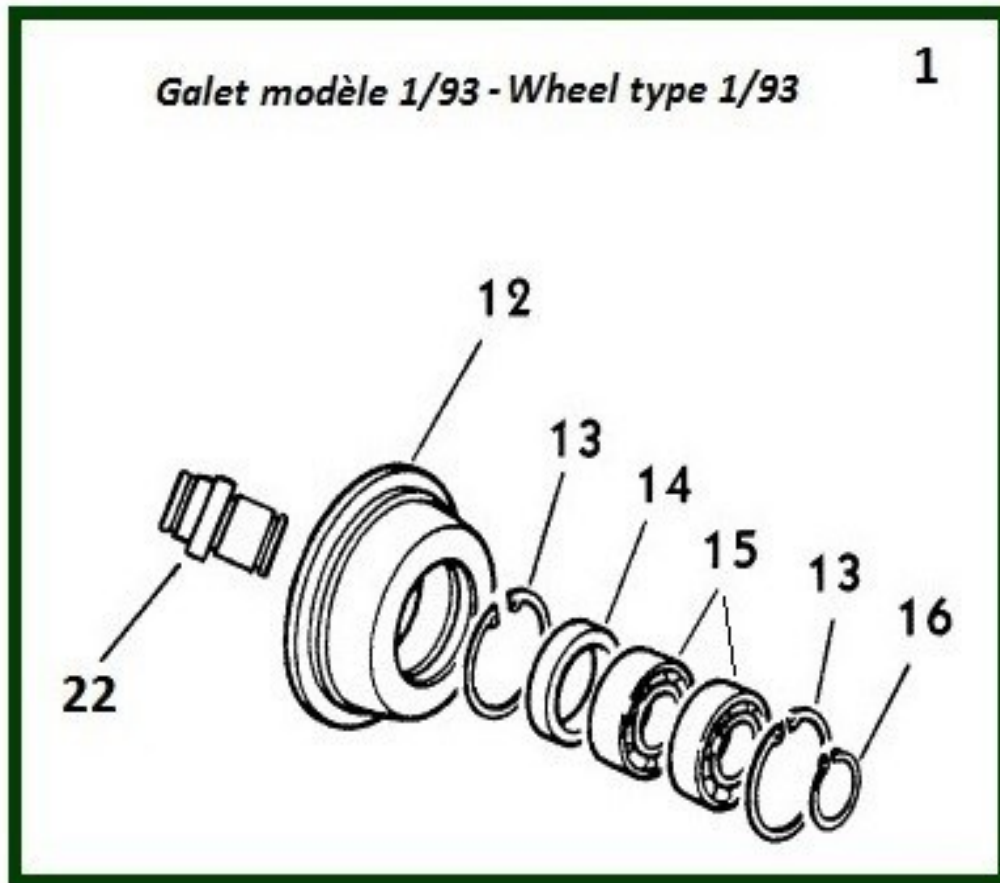


19.1. Wheels 1/77



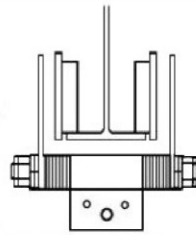
Item	Reference	Description	Observation	Quantity
1	<a href="#">4531311P</a>	Geared wheel with bearing without axle	1/77 - Ø 100/127	1
1	<a href="#">4531111W</a>	Ungeared wheel with bearing without axle	1/77 - Ø 100/127	1
2	<a href="#">6531104B</a>	Runner axle	1/77	1
11	<a href="#">5531351P</a>	Geared wheel only	1/77	1
11	<a href="#">5531151W</a>	Ungeared wheel only	1/77	1
14	<a href="#">300077</a>	Internal circlips	D and DA - 1/77	2
15	<a href="#">7410051D</a>	Bearing	1/77	1
16	<a href="#">5431152B</a>	Spacer ring	1/77	1
17	<a href="#">7412040R</a>	Ball bearing- LS 90		1
18	<a href="#">7262020A</a>	Exterior circlip	Ø 30 - 1/77	1
19	<a href="#">5431153C</a>	Cover	1/77	1

19.2. Wheels 1/93



Item	Reference	Description	Observation	Quantity
1	<a href="#">15001005</a>	Geared wheel with fittings without axle	∅ 100 - Model 07/89	1
1	<a href="#">15001004</a>	Ungear wheel with fittings without axle	∅ 100 - Model 07/89	1
12	<a href="#">15011002</a>	Geared wheel only	Model 07/89	1
12	<a href="#">15011001</a>	Ungear wheel only	Model 07/89	1
13	<a href="#">7261055B</a>	Internal circlips		1
14	<a href="#">15017001</a>	Spacer ring	Model 07/89 - Ep. / Th. 26 mm	1
15	<a href="#">7410065U</a>	Bearing	Model 07/89 - Ep. / Th. 49 mm	1
16	<a href="#">100051</a>	Exterior circlip - ∅ 30	VS2...O (VSX)	1
22	<a href="#">15016001</a>	Runner axle	Model 07/89	1

20. TROLLEYS SETTING TABLE 1/77 and 1/93

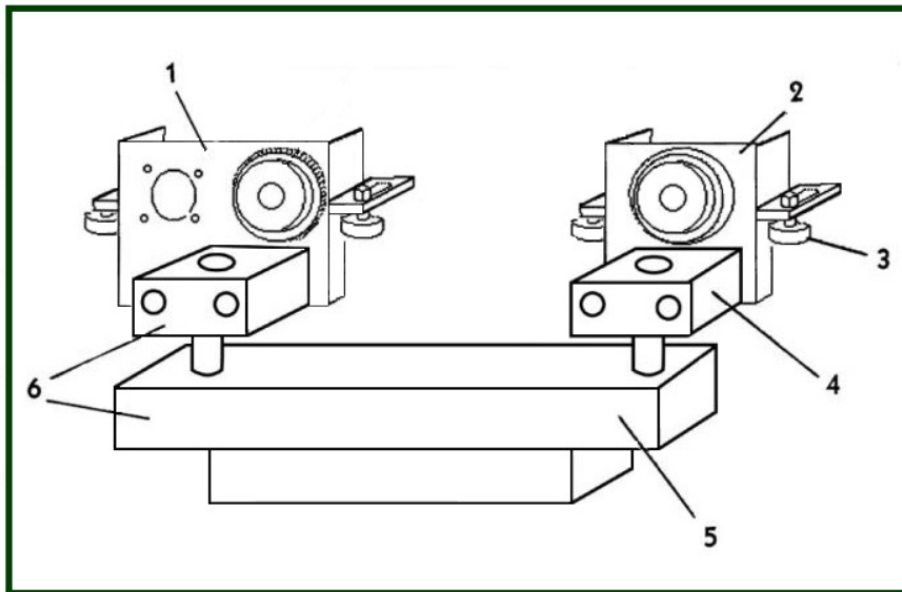


TRAVERSES / CROSSHEAD : Voir chap 18 repères F3c et F3ca / See chap 18, items F3c and F3ca

LARGEUR DU FER DE / ROULEMENT RUNNING BEAM WIDTH mm	TIRANT / TIE ROD Ø 24 Longueur / Length	NOMBRE TOTAL DE BAGUES TOTAL SPACER RING QUANTITY		NOMBRE TOTAL DE RONDELLES TOTAL WASHER QUANTITY		
		Epaisseur / Thickness 26 mm	Epaisseur / Thickness 49 mm	Epaisseur / Thickness 1 mm	Epaisseur / Thickness 2 mm	Epaisseur / Thickness 4 mm
66				0	1	0
72			0	1	0	
73				0		1
74						
75			1			
81				2		
82			0			
89	280	0			1	
90				3		
91			1			
98			0			
100			1	4		
106			0			
108			1	5		
110				0		
113			0		6	
118						
119			1	1	0	
120						
125			0		1	
131			1	0		
133			0		2	
135	375	1	1	1		
137			0	0	3	
143			1	1		
147				0	4	
150			0	1		
155			1	0		
158			0		5	
160			1	1		
163					0	0
168						1
170				0	1	
178						2
180				0	1	
185	410	0	1	1	0	
188				0		3
190				1		
195					1	
198				0		4
200						5
210				1	0	6
212				0		
214				1	0	
216				0		0
218				1	1	
220					0	
222				0		
224					1	1
226				1		

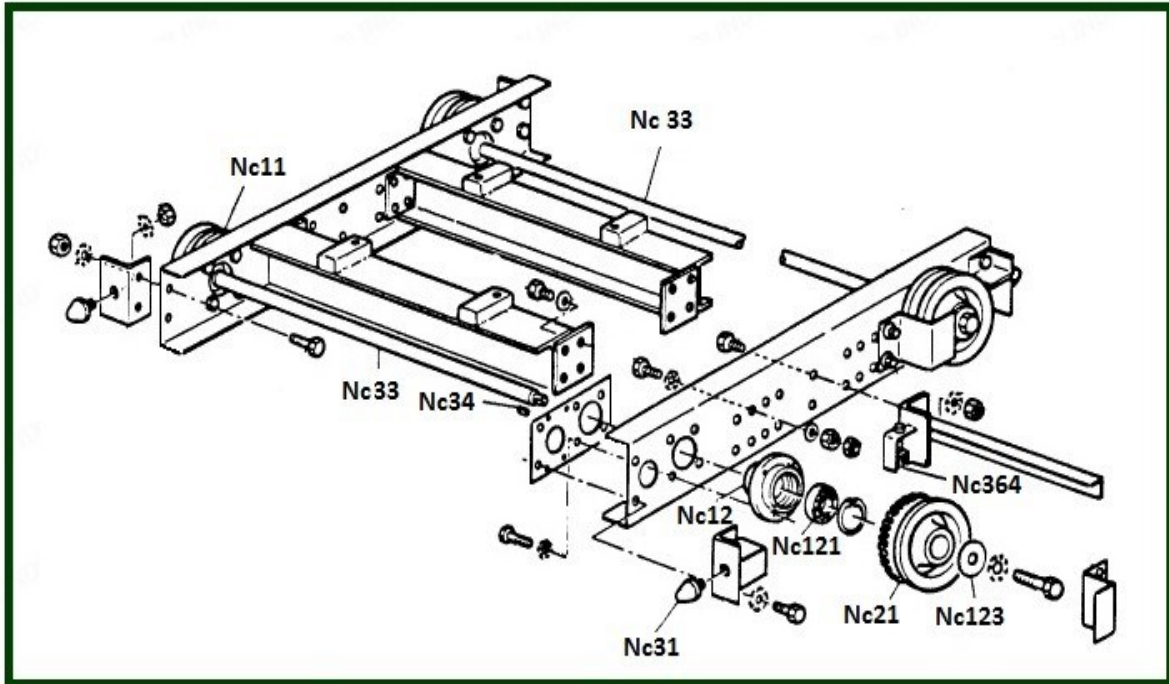
228			0		
230			1	0	
232			0		2
234			1	1	
236		1	0	0	
238			1		3
240			0	1	
242			1		
244			0	0	
246			1		4
248			0	1	
250			1		
252			0	0	
254			1		5
256	500		0	1	
258			1	0	
260			0	1	0
262			1		
264			0	0	
266			1		1
268			0	1	
270			1		
271			0	0	
274			1		2
276			0	1	
278			1		
280		0	0	0	
282			1		3
284			0	1	
286			1		
288			0	0	
290			1		4
292			0	1	
294			1		
296			0	0	
298			1		5
300		2	0		

## 21. SWIVELLING TROLLEY



Item	Reference	Description	Observation	Quantity
1	<a href="#">3501310X</a>	Complete Geared side plate	Motor /LS 1/77	2
1	<a href="#">5501310K</a>	Geared side plate with axle and support	Motor /LS 1/77	2
2	<a href="#">3501110E</a>	Side plate		2
2	<a href="#">5501110T</a>	Ungeared side plate only with welded axle		2
3	<a href="#">5501203U</a>	Axle		8
3	<a href="#">5501207Y</a>	Wheel		8
3	<a href="#">4501211W</a>	Guide roller subassy		8
3	<a href="#">7412045W</a>	Bearing		8
4	<a href="#">5502103X</a>	Crosshead only		8
5	<a href="#">5502107B</a>	Crosshead type L		1
5	<a href="#">5502106A</a>	Crosshead type N		1
5	<a href="#">5502108C</a>	Crosshead type SL		1
-	<a href="#">7431063T</a>	Thrust bearing		2
-	<a href="#">7431062S</a>	Thrust bearing		2
-	<a href="#">15025017</a>	Side plate motor nu	Motor MF07 1/94	2
-	<a href="#">15025016</a>	Ungeared side plate		2
=	<a href="#">15001047</a>	Complete geared side plate	Motor MF07 1/94	2
=	<a href="#">15001046</a>	Complete ungeared side plate		2

## 22. DOUBLE GIRDER TROLLEY



## 22.1. Wheel - Ø 200

Item	Reference	Description	Observation	Quantity
NC11	<u>5571151Z</u>	Idler runner - Ø 200	DA - Since 06 / 83	3
NC12	<u>5571010W</u>	Bearing housing	Since 06 / 83	4
NC21	<u>5571351S</u>	Driven runner - Ø 200 - 76 teeth	DA - Since 06 / 83	1
NC31	<u>7910802Y</u>	Rubber buffer- Ø 80	D & DA	4
NC33	<u>5572214E</u>	Shaft -1,4 m	DA	2
NC33	<u>5572210A</u>	Shaft groove- 1 m	DA	2
NC34	<u>7281142K</u>	Key		4
NC121	<u>7425100L</u>	Bearing	DA	4
NC123	<u>5571012Y</u>	Washer	DA	4
NC364	<u>7661106Q</u>	Earth brush	C1-C2-C3-C5 - D & DA 75 amp.	2

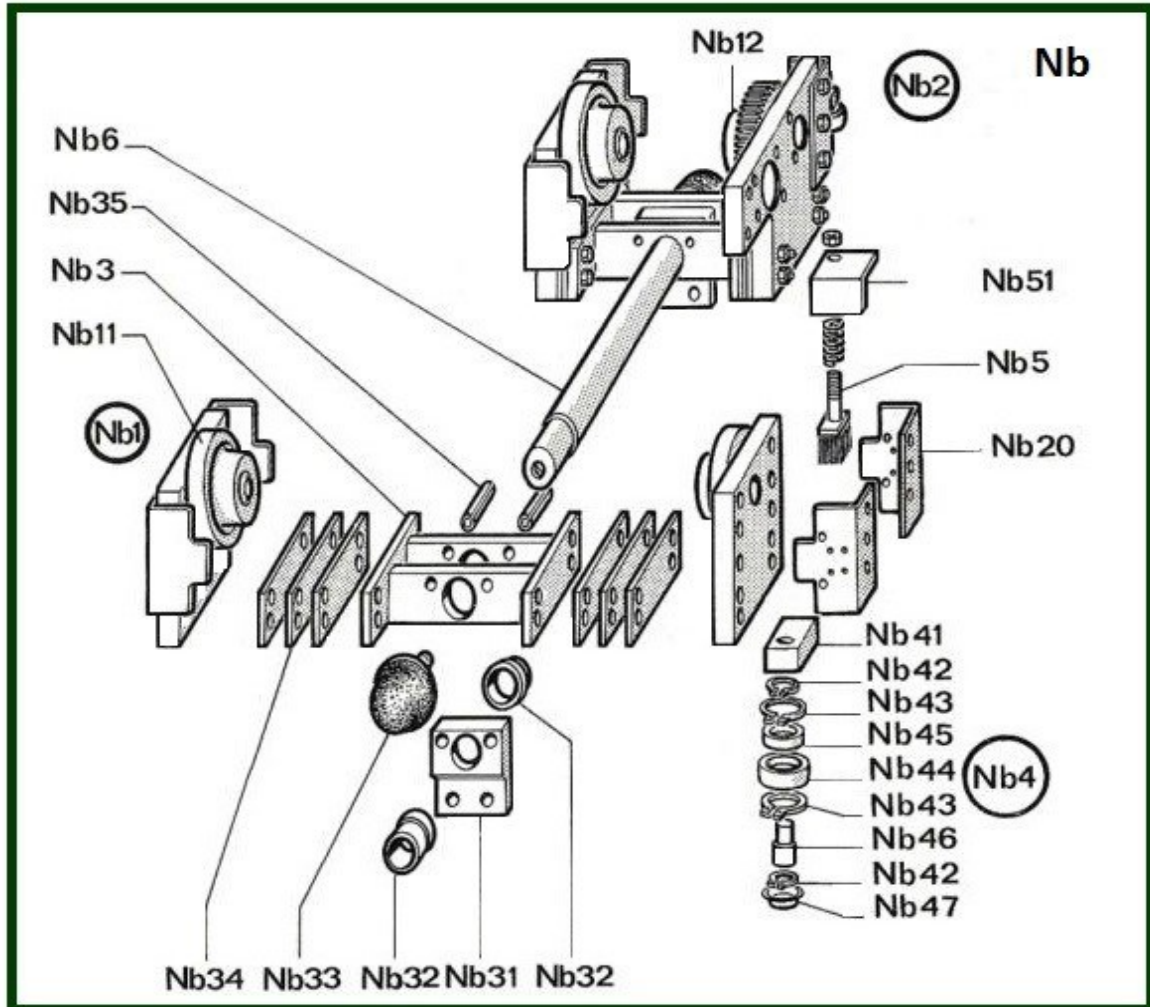


## 22.2. Wheel - Ø 160

Item	Reference	Description	Observation	Quantity
NC11	<u>5471151D</u>	Idler runner - Ø 160	D	3
NC12	<u>5571010W</u>	Bearing housing	Since 06 / 83	4
NC21	<u>5471352X</u>	Driven runner - Ø 160	D	1
NC31	<u>7910802Y</u>	Rubber buffer- Ø 80	D & DA	4
NC33	<u>5472221S</u>	Shaft -1,4 m	D - For wheel Ø160	2
NC33	<u>5472211F</u>	Shaft groove- 1 m	Wheel - Ø160	2
NC34	<u>7281142K</u>	Key		4
NC121	<u>7417085Z</u>	Bearing	D - For wheel Ø160	4
NC123	<u>5571012Y</u>	Washer	DA	4
NC364	<u>7661106Q</u>	Earth brush	C1-C2-C3-C5 - D & DA 75 amp.	2

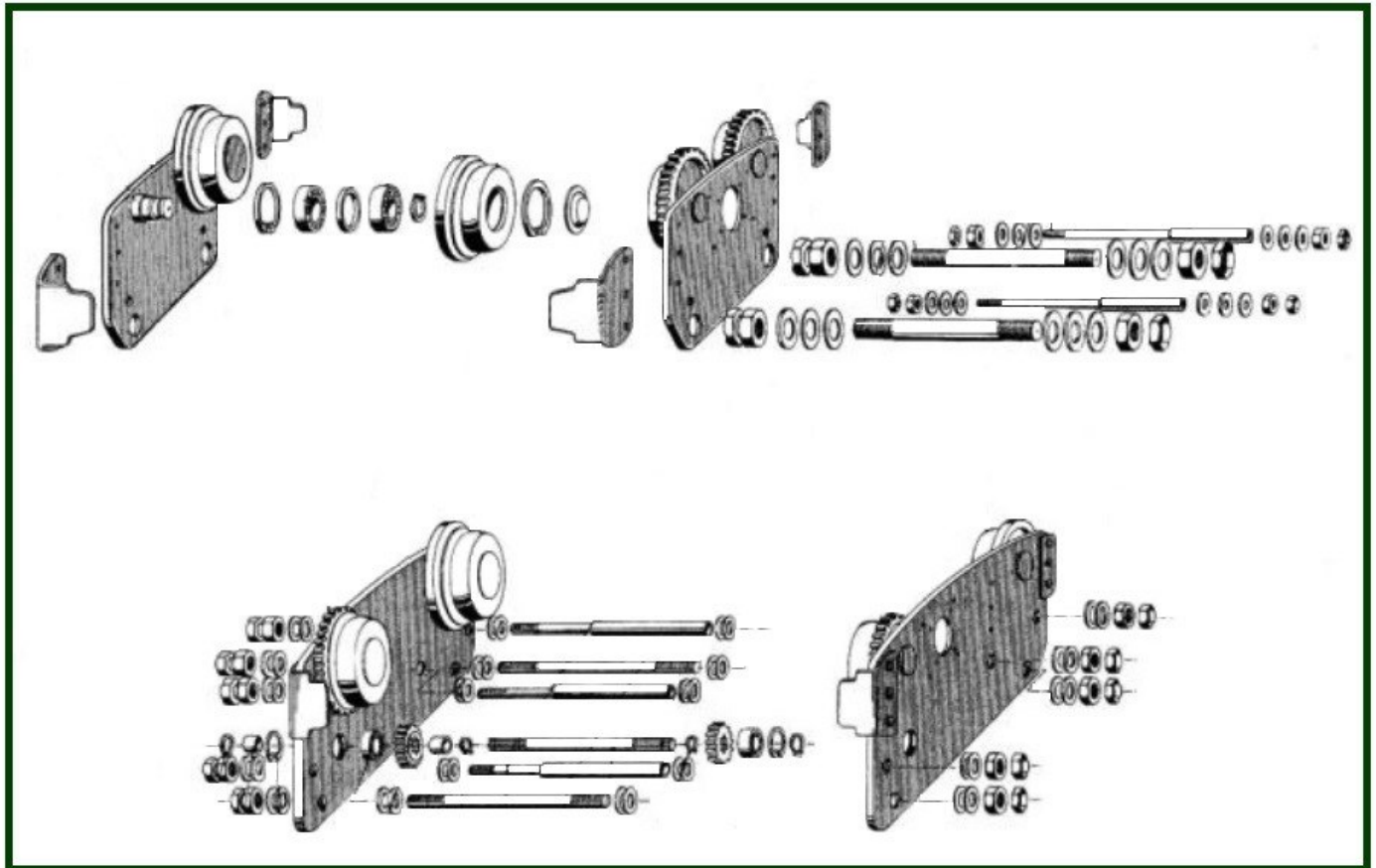
## 23. BISSEL TROLLEY (LHT72) for C type Only

Consult us - Material to be ordered

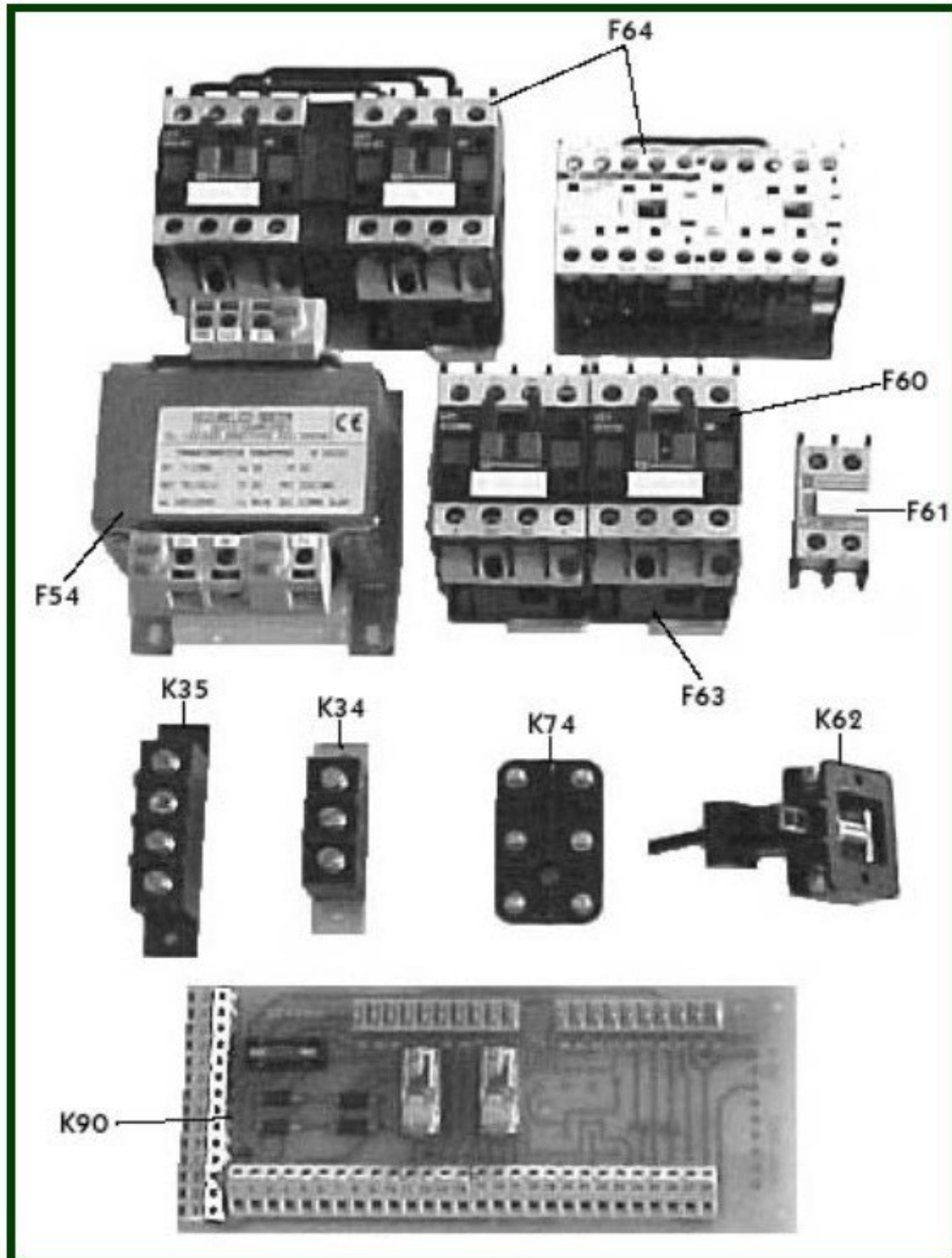


## 24. NA TROLLEY for C type only

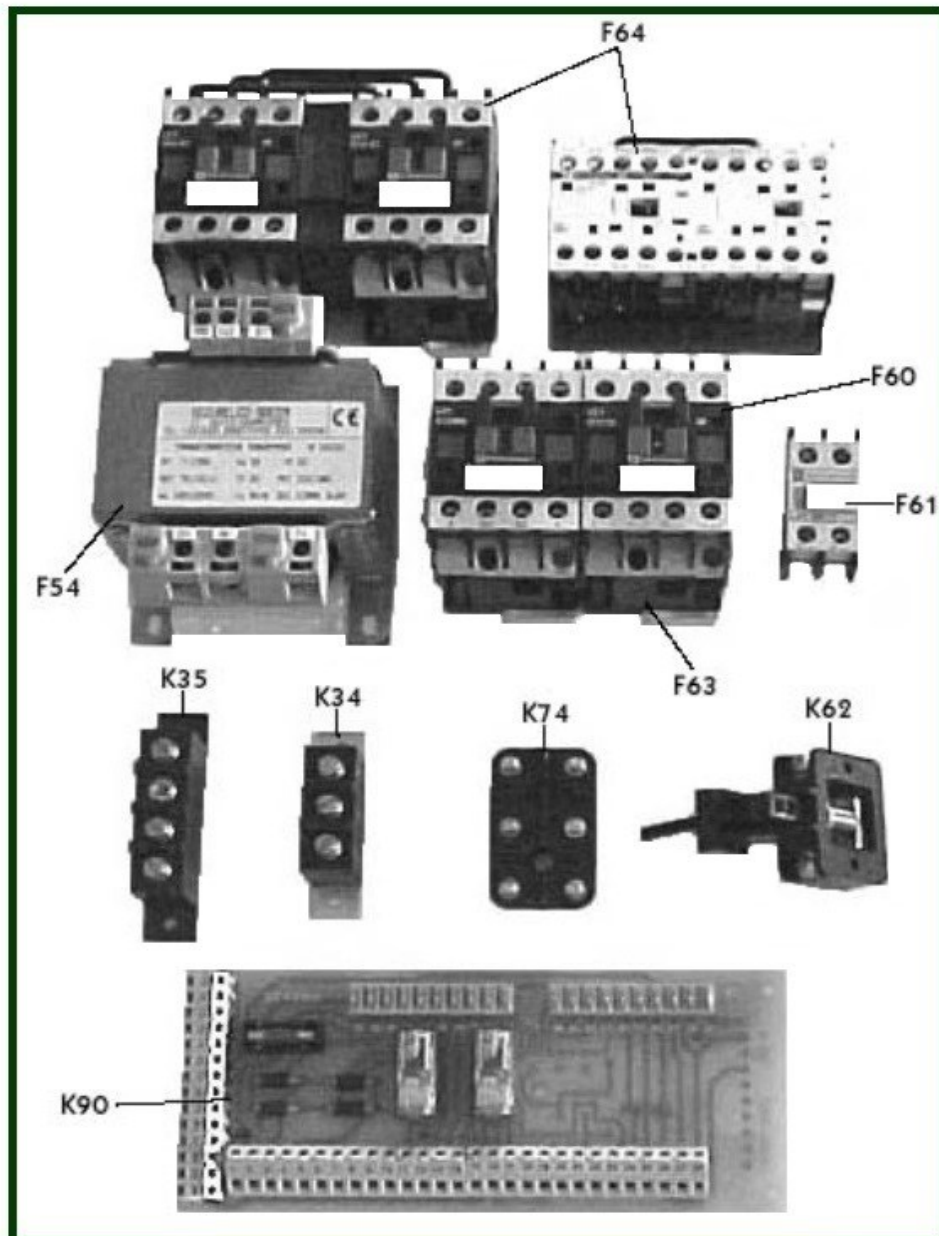
CONSULT US - Material to be ordered



## 25. ELECTRICAL EQUIPMENT



### 25.1. EUROBLOC



## Eurobloc

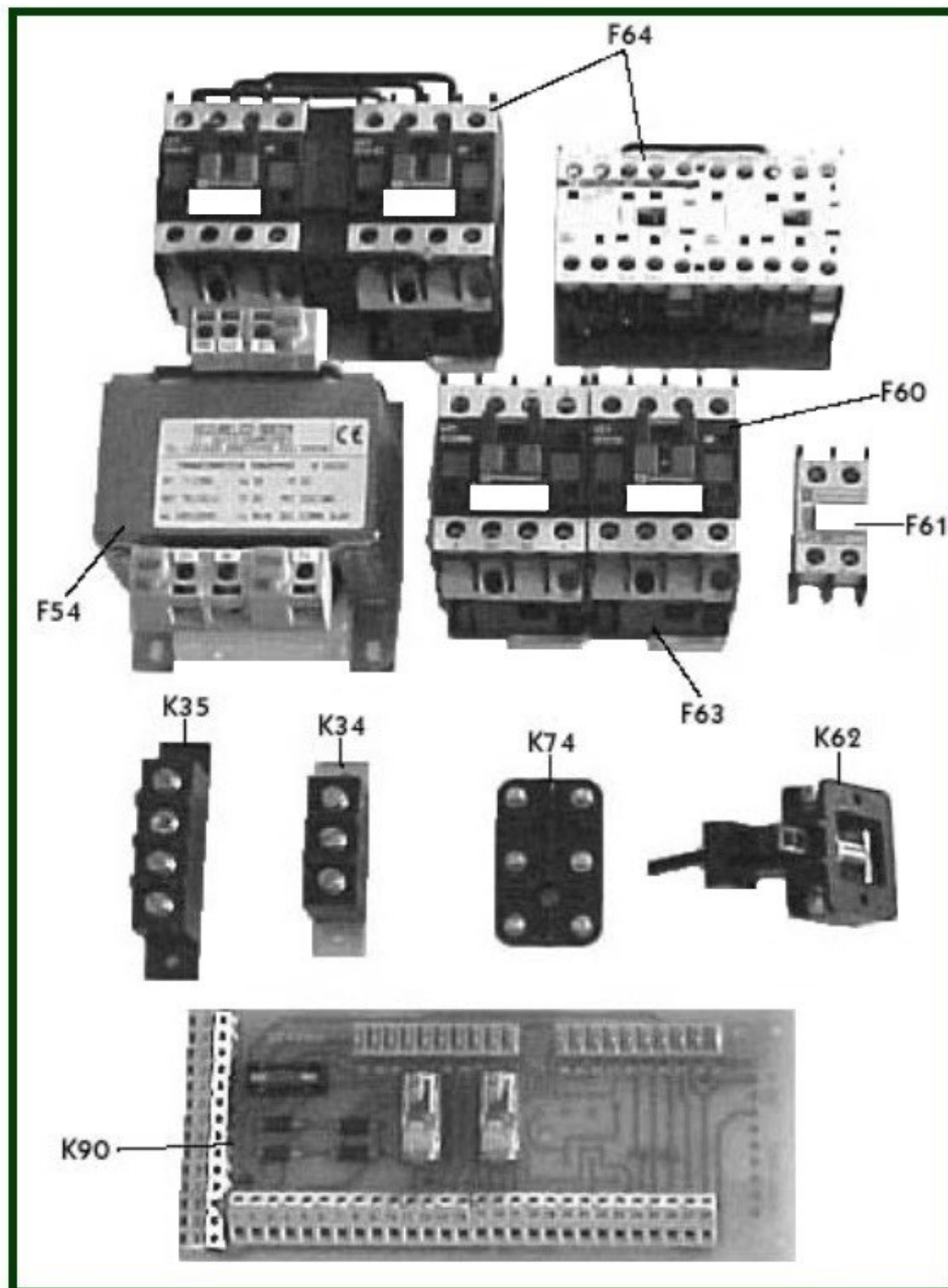
Item	Reference	Description	Observation	Quantity
	<u>7691133C</u>	Lamp 48V		1
	<u>5622002X</u>	Connection bar		1
	<u>5622019R</u>	Watertight cap		1
	<u>7586201W</u>	Clip 6,35		1
	<u>7578503D</u>	Fuse 3AM HRC	6x23 3A GI	1
	<u>3633515A</u>	Single Protection phase 380V	380V	1
	<u>7535414T</u>	Relay FINDER 48V		1
	<u>7691142N</u>	Bulb		1
-	<u>7586104R</u>	Closed blue socket		1
-	<u>7586101N</u>	Red clip		1
-	<u>7586106T</u>	Yellow closed socket		1
-	<u>7586103Q</u>	Open blue socket		1
-	<u>KP19D</u>	Lightning sticker for cover		1
=	<u>7571302B</u>	Fuse 2A 5x20		1
=	<u>7571303C</u>	Fuse 3A 5x20		1
=	<u>7571304D</u>	Fuse 4A 5x20		1
F60	<u>7532126U</u>	Main contactor 400V-48V	LC1D123E	1
F60	<u>7532326L</u>	Contacteur M.A.	LC1D253E	1
F61	<u>7536311T</u>	Auxiliary contact LA1D11	N1 to N3	1
F61	<u>1113007</u>	Auxiliary contact LA1D20	7536314W	1
F61	<u>7536312U</u>	Auxiliary contact LA1D22	«2F+2O»	1
F63	<u>1113027</u>	Two speed selection contactor	LC1D128E (7532122Q) - AK4 Motor P1,P2,P3	1
F63	<u>1113029</u>	Two speed selection contactor	LC1D258E (7532324J) - AK4 Motor P4/P5	1
F63	<u>1113024</u>	Two speed selection contactor	LC1ECO8E (7532021E)	1
F64	<u>7531122C</u>	Interlocked contactors- 400V-48V	LC2D129E - AK1-AK2 - Motor P1-P2-P3-N1-N2	1
F64	<u>7531325Y</u>	Interlocked contactors- 400V-48V	LC2D259E - AK1-AK2 - Motor P5	1
F64	<u>1113023</u>	Interlocked contactors- 400V-48V	LC2ECO9E (7531023V)	1
K34	<u>7521111W</u>	Rectifier	Brake 24V	1
K35	<u>7521122H</u>	Rectifier	Brake 48V	1

Eurobloc

Item	Reference	Description	Observation	Quantity
K53	<u>7513041Z</u>	Transformer - 220-380V	45V 63VA	1
K53	<u>7511511L</u>	Transformer - 220/380V	2x24V-63VA	1
K53	<u>7514041L</u>	Transformer - 220/380V	48V-100VA	1
K53	<u>7511551E</u>	Transformer - 415/440/500V	2x24V-63VA	1
K53	<u>7513241S</u>	Transformer - 415/440V	48V-63VA	1
K62	<u>3632111X</u>	Limit switch contact	Low voltage for C	1
K74	<u>7581401D</u>	Hoisting motor terminal block		1
K90	<u>3653510G</u>	Electric circuit (3 relay)		2
K90	<u>3633510T</u>	Electric circuit EBL481 (2 relay)		1



25.2. RA - RB - RC





Electrical equipment RA-RB-RC

Item	Reference	Description	Observation	Quantity
	<u>7691133C</u>	Lamp 48V		1
	<u>5622002X</u>	Connection bar		1
	<u>5622019R</u>	Watertight cap		1
	<u>7586201W</u>	Clip 6,35		1
	<u>KP19D</u>	Lightning sticker for cover		1
	<u>7578503D</u>	Fuse 3AM HRC	6x23 3A GI	1
	<u>3633515A</u>	Single Protection phase 380V380V		1
	<u>7535414T</u>	Relay FINDER 48V		1
	<u>7691142N</u>	Bulb		1
-	<u>7586104R</u>	Closed blue socket		1
-	<u>7586101N</u>	Red clip		1
-	<u>7586106T</u>	Yellow closed socket		1
-	<u>7586103Q</u>	Open blue socket		1
=	<u>7571302B</u>	Fuse2A 5x20		1
=	<u>7571303C</u>	Fuse3A 5x20		1
=	<u>7571304D</u>	Fuse4A 5x20		1
F60	<u>7532126U</u>	Main contactor 400V-48V	LC1D123E	1
F60	<u>7532326L</u>	Contactor M.A.	LC1D253E	1
F61	<u>7536311T</u>	Auxiliary contact LA1D11	N1 to N3	1
F61	<u>1113007</u>	Auxiliary contact LA1D20	7536314W	1
F61	<u>7536312U</u>	Auxiliary contact LA1D22	«2F+2O»	1
F63	<u>1113027</u>	Two speed selection contactor	LC1D128E (7532122Q) - AK4 Motor P1,P2,P3	1
F63	<u>1113029</u>	Two speed selection contactor	LC1D258E (7532324J) - AK4 Motor P4/P5	1
F63	<u>1113024</u>	Two speed selection contactor	LC1ECO8E (7532021E)	1
F64	<u>7531122C</u>	Interlocked contactors- 400V-48V	LC2D129E - AK1-AK2 - Motor P1-P2-P3-N1-N2	1
F64	<u>7531325Y</u>	Interlocked contactors- 400V-48V	LC2D259E - AK1-AK2 Motor P5	1
F64	<u>1113023</u>	Interlocked contactors- 400V-48V	LC2ECO9E (7531023V)	1
K34	<u>7521111W</u>	Rectifier	Brake 24V	1
K35	<u>7521122H</u>	Rectifier	Brake 48V	1

Electrical equipment RA-RB-RC

Item	Reference	Description	Observation	Quantity
K53	<u>7513041Z</u>	Transformer - 220-380V	45V 63VA	1
K53	<u>7511511L</u>	Transformer - 220/380V	2x24V-63VA	1
K53	<u>7514041L</u>	Transformer - 220/380V	48V-100VA	1
K53	<u>7511551E</u>	Transformer - 415/440/500V	2x24V-63VA	1
K53	<u>7513241S</u>	Transformer - 415/440V	48V-63VA	1
K62	<u>3632111X</u>	Limit switch contact	Low voltage for C	1
K74	<u>7581401D</u>	Hoisting motor terminal block		1
K90	<u>3653510G</u>	Electric circuit (3 relay)		2
K90	<u>3633510T</u>	Electric circuit EBL481 (2 relay)		1