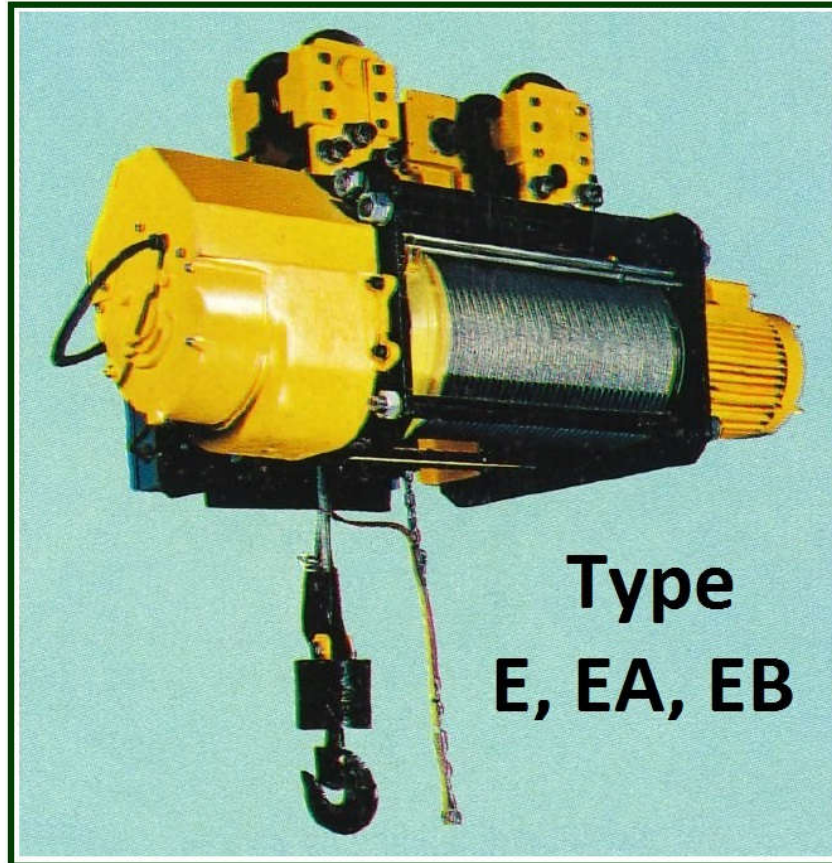


Spare parts catalog for "E EA EB"

To avoid errors, when ordering please specify:

- Complete type of hoist
- Date of manufacture and serial number
- Spare part code
- Spare part designation
- Additional information



**Type
E, EA, EB**

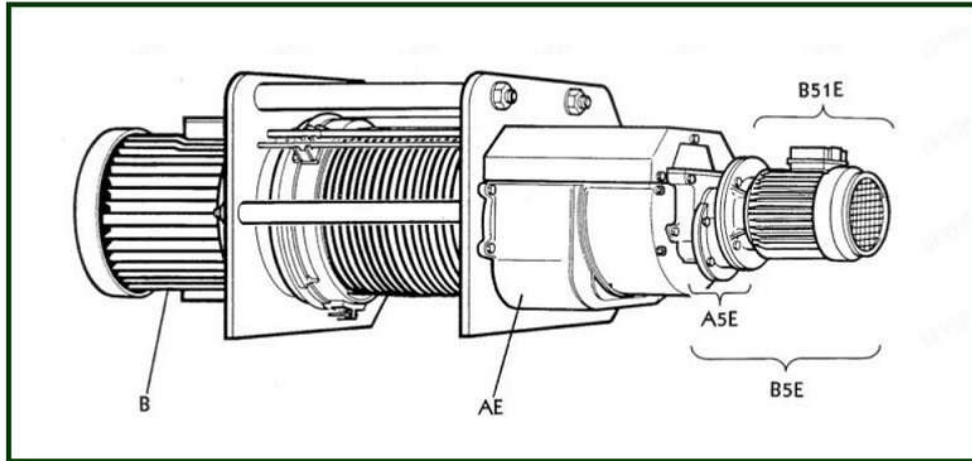
- 0) HOIST DESCRIPTION
- 1) MOTOR / HOISTING GEARBOX
- 2) HOIST GEARBOX
- 3) SECOND SPEED E AND EA
- 4) BRAKE E AND EA-EB
 - 4.1) Manual brake
 - 4.2) Automatic brake
- 5) DRUM / ROPE GUIDE / COUPLING
- 6) COUPLING EB
- 7) RETURN / FIXED POINT / LIMIT SWITCH / LIMITER
- 8) HOOK, 1 ROPPED
 - 8.1) Câble Ø 12 mm
 - 8.2) Câble Ø 14 mm
- 9) LIFTING HOOK, 2 ROPPED
- 10) LIFTING HOOK, 4 ROPPED
- 11) LIFTING HOOK, 6 ROPPED
- 12) MONORAIL TROLLEY HPN < 6300 KG
- 13) MONORAIL TROLLEY > 6300 KG
- 14) DOUBLE GIRDER FRAME - TYPE E & EA
 - 14.1) Double girder 16 & 20 tonnes
- 15) BISSEL TROLLEY - E TYPE
- 16) NA TROLLEY - E TYPE
- 17) GEAR AND MOTORGEAR
- 18) ELECTRIC TRAVEL AND HAND CHAIN TRAVEL
- 19) HOISTING WIRE ROPE
 - 19.1) Precut rope
- 20) ELECTRICAL EQUIPMENT

0) Hoist description

GROUPE EUROBLOC E		Ia		Ib		II		III				
		Vitesse de levée en m/mn - Cases encadrées appareils mouflés										
Moteurs		E 50	E 25	E 43	E 32	E 80	E 100	E 125				
1 vitesse 7,5 Kw 1500 t/mn	501 701	8 16							4			
1 vitesse 8,8 Kw 1500 t/mn	501 701			8 16						4		
2 vitesses 7,5 Kw 1500 t/mn 0,75 Kw 1500 t/mn	502 702	8/0,66 16/1,32							5,5 4/0,33			
2 vitesses 8,8 Kw 1500 t/mn 0,9 Kw 1500 t/mn	502 702			8/0,66 16/1,32					5,5/0,46			
		11/0,9 22/1,8							5,5/0,46	4/0,33		
Tambour	N	L	SL	SSL	L	SL	SSL	N	L	SL	SSL	
Capacité de charge .. kg	5000-6300		8000-10000-12500			2500-3200			2 x 1250 / 2 x 1600			
Nombre de brins	2/1			4/1			1/1			2/2		
Hauteur de levée .. m	9	16	23	29	8	11,5	14,5	18	32	46	58	
Ø de câble .. mm	P 14	A 14	A 14	A 14	P 14	P 14	P 14	A 14	A 14	A 14	P 11	
Longueur de câble .. m	24,5	39	53	65,5	41	55	67,5	23,5	38	52	64,5	
Suspendu	S	Posé	P	Sortie de câble N°								

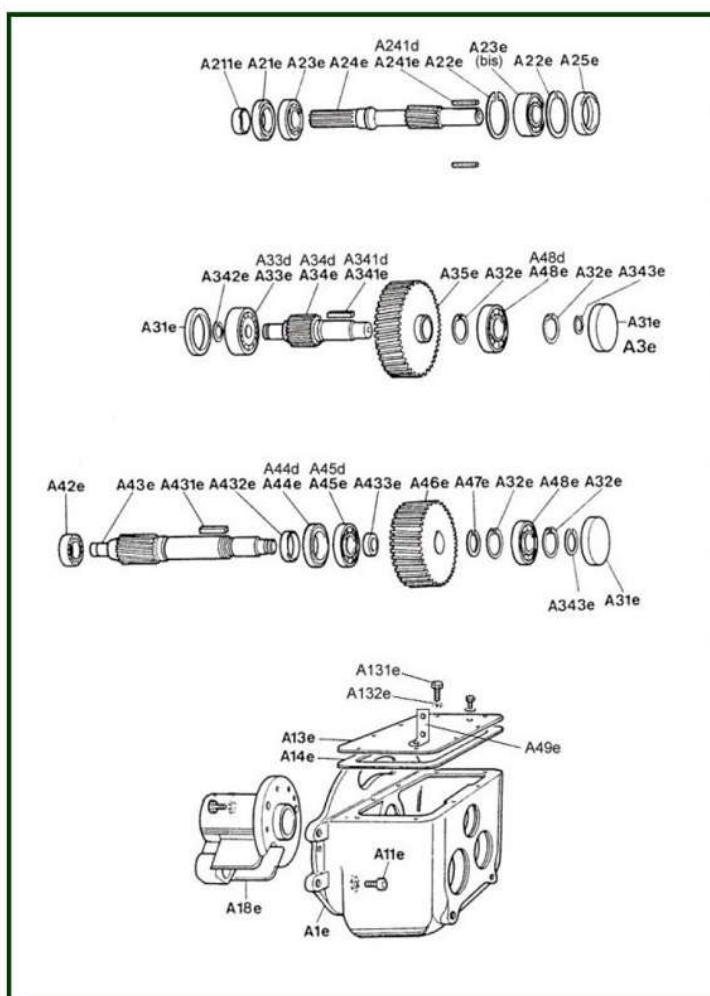
GROUPE EUROBLOC EA-EB		Ia		Ib		II		III										
		Vitesse de levée en m/mn - Cases encadrées palans mouflés																
Moteurs		Repères	EA50	EA25	EA43	EA32	EB80	EB40	EA80	EA100	EA125	EB160	EA160	EB200	EB240	EA250	EB320	
1 vitesse 7,4 Kw 1500 t/mn	501 701	8 16								4			2,66					
1 vitesse 9 Kw 1500 t/mn	501 701			8 16							4					2		
1 vitesse 12 Kw/1500 t/mn	501					8	16					4		2,66	2,66		2	
2 vitesses 7,4 Kw/1500 t/mn-0,75 Kw/1500 t/mn	502 702	8/0,66 16/1,32							4/0,33			2,66/0,27						
2 vitesses 9 Kw/1500 t/mn-0,9 Kw/1500 t/mn	502 702			8/0,66 16/1,32						4/0,33						2/0,16		
2 vitesses 12 Kw/1500 t/mn-0,9 Kw/1500 t/mn	502	11/0,9 22/1,8						8/0,66 16/1,32		5,5/0,46				4/0,33	2,66/0,27	2,66/0,27	2/0,16	
Palan suspendu	S	Posé	P															
Tambour	N		L															
Ossature	HPN-HPR		HPN-HPR															
Capacité de charge .. kg	5000-6300 EA 8000 EB		5000-6300 EA 8000 EB		8000-10000 12500 EA		16000 EB		16000 EA		20000 EB		24000 EB					
Nature du câble	P		P		A		A		P		P		P		P		P	
Ø câble .. mm	14		15		14		15		14		15		14		15		15	
Long câble standard .. m	24,5		24,5		39		39		41		41		44		44		44	
Hauteur de levée .. m	9		9		16		16		8		8		5,3		5,3		5,3	
Palan mouflé	2/1		2/1		2/1		2/1		4/1		4/1		6/1		6/1		6/1	
Tambour	SL		SSL															
Ossature	HPN-HPR		HPN-HPR															
Capacité de charge .. kg	5000 6300 EA 8000 EB		8000 10000 EA 12500 EB		16000 EA 20000 EB		24000 EB		5000 6300 EA 8000 EB		8000 10000 EA 12500 EB		16000 EA 20000 EB		24000 EB			
Nature du câble	A		A		P		P		A		A		P		P		P	
Ø câble .. mm	14		15		14		15		14		15		14		15		15	
Long câble standard .. m	53		53		55		55		58		58		65,5		65,5		70,5	
Hauteur de levée .. m	23		23		11,5		11,5		7,6		7,6		29		29		14,5	
Palan mouflé	2/1		2/1		4/1		4/1		6/1		6/1		2/1		2/1		4/1	
Tambour	N		L		SL		SSL		N		L		SL		SSL			
Capacité de charge .. kg			2500-3200 (EA) 4000 (EB)								2 x 1250 - 2 x 1600 (EA) 2 x 2000 (EB)							
Nombre de brins			1/1								2/2							
Nature du câble	A		A		A		A		P		P		P		P		P	
Ø Câble .. mm	14/15		14/15		14/15		14/15		11		11		11		11		11	
Longueur câble standard .. m	23,5		38		52		64,5		2x		2x		2x		2x		2x	
Hauteur de levée .. m	18		32		46		58		9		18		26		34		34	

1) Motor / Hoisting gearbox



item	reference	description	observation	Quantity
-	5260011D	Protection cover	E	1
-	8923212V	Rubber strip for cover		1
A5E	3364050B	Complete casing - 2nd speed		1
AE	3364010H	Hoisting gearbox EA501/502 without disc	Carter complet type E plus fourni. Vendu seulement en pièces détachées. Complete housing E type no more supply. Only parts sold separately.	1
AE	3364011J	Hoisting gearbox EA701/702 without disc	Carter complet type E plus fourni. Vendu seulement en pièces détachées. Complete housing E type no more supply. Only parts sold separately	1
B5E	3367225C	Motorgear PV 0,75Kw 240/415V		1
B5E	3367221Y	Motorgear PV 0,75Kw 380V		1
B5E	3367222Z	Motorgear PV 0,90Kw 380V		1
B51E	7352760F	Brake motor LS80 FAST 0,75Kw 1500t/mn 240/415V	EA-E - E HPR72 - Plus fourni / No more supplied	1
B51E	7342240W	Motor LS80 0,9Kw 1500t/mn 220/380V without brake	Bride 200b.a : 14x30	1
B51E	7352260N	Motor LS80L2 0,75Kw 1500t/mn 220/380V without brake	Bride 200b.a : 14x30	1
B	7346270B	Hoist motor LS132M1 7,5Kw 1500 t/mn 220/380V 50Hz	b.a : 38x80	1
B	7346770V	Hoist motor LS132M1 7,5Kw 1500 t/mn 240/415V 50Hz	b.a : 38x80	1
B	7346280N	Hoist motor LS132M2 9Kw 1500 t/mn 220/380V 50Hz	b.a : 38x80	1
B	7347790D	Hoist motor LS160M 12Kw 1500 t/mn 220/380V 50Hz	b.ab: 42x45	1
B	7347090K	Hoist motor LS160M 12Kw 1500t /min 240/415V 50Hz	b.ab: 42x45	1

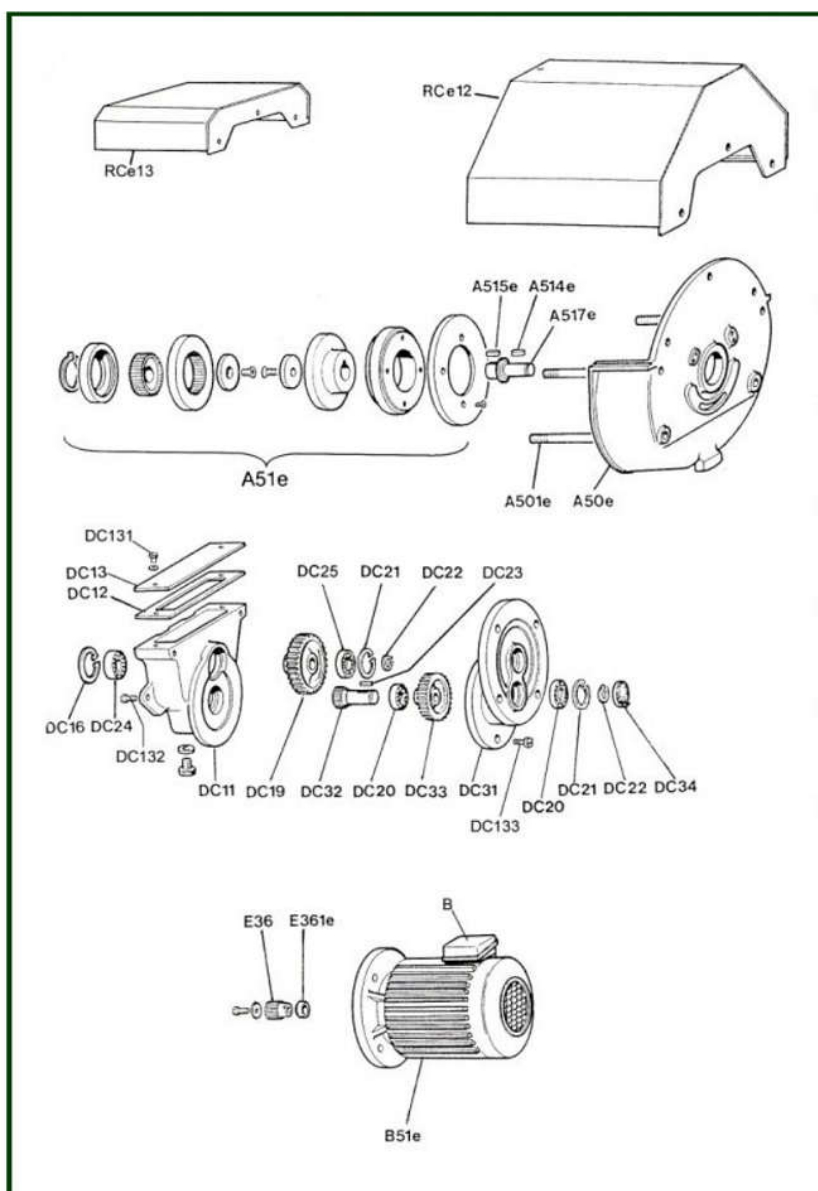
2) Hoist gearbox



item	reference	description	observation	Quantity
-	5235301V	Brake screw support		1
-	5434106N	Drain plug		1
-	7838170B	Drain plug		1
-	7231064C	Flat washer 6,25 x 24 x 1,2		1
-	8913045T	Grease	1 kg	1
-	A24DE	High speed seal and bearing set	E / EA	1
A1e	5364101V	Gear case only EA	EA	1
A11e	7215759S	Screw CHCM 14 x 45	E / EA	4
A13e	5264108G	Casing cover	E / EA	1
A14e	5264102A	Cover seal	E / EA	1
A18e	5264103B	Shaft bracket E	E	1
A18e	5364103X	Shaft bracket EA	Plus fourni / Not supply anymore	1
A21e	7460860F	SIMRIT seal	E / EA	1
A22e	7261072V	Circlip		2
A23e	7413060Z	Bearing	E / EA	1
A23ebis	7418065Q	Bearing	E / EA	1
A24e	EP502EK333	16 teeth old version pinion	E - Sur demande / On request	1
A24e	5264201H	High speed pinion shaft 16 teeth	E 501/701	1
A24e	5364201D	High speed pinion shaft 16 teeth	EA / EB 501/701	1
A25e	7461108A	SIMRIT seal	E	1
A25e	7461010U	SIMRIT seal	EA / EB	1
A31e	5264316H	Sealing cap		3
A32e	400080	Retaining ring for bore - Ø 90x3		4
A33e	7424080C	Bearing		1

A34d	5264305W	MV treated pinion shaft 15 teeth	E 701E 504 - 704	1
A34d	5264303U	MV treated pinion shaft 19 teeth	E 701E 504 - 704	1
A34e	5364301N	MV pinion shaft 15 teeth	EA-EB 501	1
A34e	5364303Q	MV pinion shaft 19 teeth	EA-EB 701	1
A35d	5264211U	Intermediate gear 89 teeth	E 501-701	1
A35e	5364211Q	Intermediate gear 89 teeth	EA-EB 501-701	1
A42e	7444304K	Needle bearing	30 x 52 x 22	1
A43d	5264401A	Drive pinion 19 teeth	E	1
A43e	5364401W	Drive pinion 19 teeth	EA-EB	1
A44d	7461515T	SIMRIT seal 75 x 90 x 8	E	1
A44e	7461610W	SIMRIT seal 78 x 100 x 10	EA-EB	1
A45d	7425085V	Bearing	E	1
A45e	7425100L	Bearing		1
A46d	5264304V	Gear 58 teeth slow speed	E 701 - 704	1
A46d	5264306X	Gear 62 teeth slow speed	E 501	1
A46e	5364313A	Gear 56 teeth slow speed	EA-EB 701 - 704	1
A46e	5364311Y	Gear 60 teeth slow speed	EA-EB 501	1
A47e	400079	Outer circlip		1
A48e	7414060L	Bearing	EA-EB	1
A131e	7211353C	HM screw 6 x 16	Liaison câble-tambour / For rope-drum	9
A211e	5264206P	Shaft collar	E / EA	1
A241d	7281084X	Key 1BR (high speed shaft)	E	1
A241e	7281085Y	Cotter pin 8 x 7 x 50		1
A341d	7282123B	Key 2BR 12 x 8 x 60	E	1
A341e	7282122A	Key 2BR 12 x 8 x 53	EA-EB	1
A342e	550121	External circlips - 40		1
A343e	100051	External circlip - Ø 30	VS2....O (VSX)	2
A431e	7283144L	Key 2BP 14 x 9 x 63	EA-EB	1
A432d	5264411L	Spacer collar	E	1
A432e	5364411G	Spacer collar 63 x 78 x 21,5		1
A433e	5364412H	Spacer collar	EA-EB	1

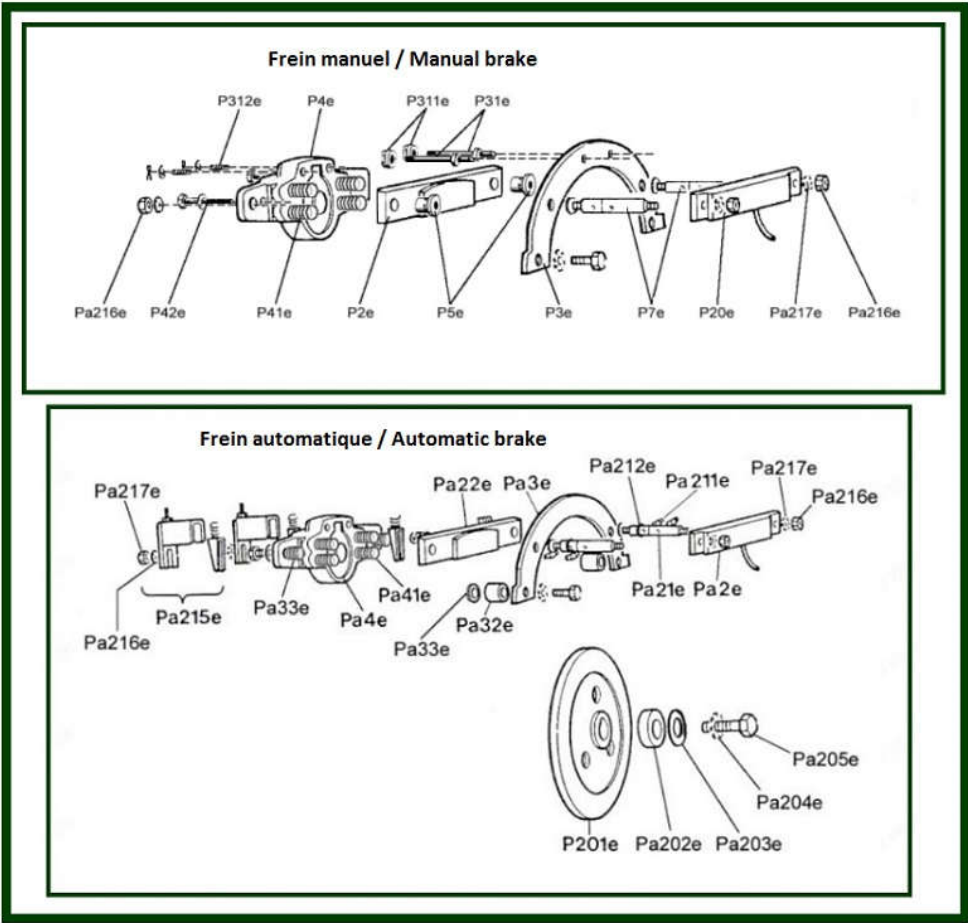
3) Second speed E and EA



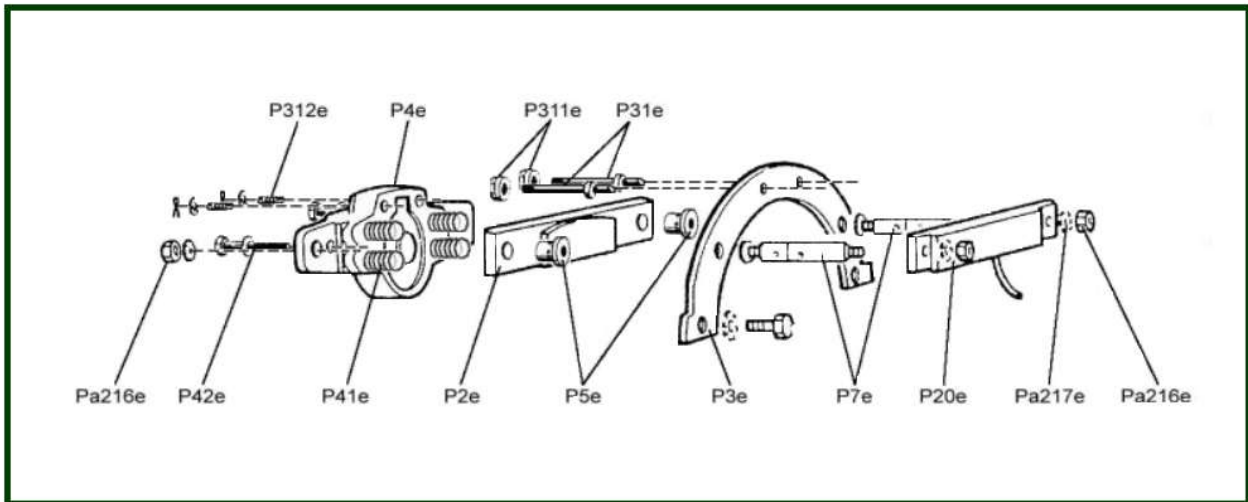
item	reference	description	observation	Quantity
-	5434107P	Breather		1
-	3364050B	Complete casing - 2nd speed		1
-	7791300E	Cover seal		1
-	5434106N	Drain plug		1
-	8913045T	Grease	1 kg	1
-	7232080G	GROWER washer - Ø 8		4
A50e	5260001T	Protection cover 1 speed	E / EA	1
A50e	5260002U	Protection cover 2 speed	E / EA	1
A51e	5264811W	Clutch assembly	E / EA - PLUS FOURNI / NOT SUPPLIED ANYMORE	1
A501e	5260003V	Fixing studs	E / EA	4
A514e	7282063L	Key 6 x 6 x 25	E / EA	1
A515e	7281081U	Key 8 x 7 x 30	Ø 320 - A, B, C	1
A517e	5364901Q	Slow speed output shaft	EA	1
B	BR288	Motor connecting box		1
DC11	5364501E	Slow speed gearbox	EA	1
DC12	5434103J	Seal		1
DC13	5434105L	Cover		1

DC16	<u>300077</u>	Interior circlip	D et DA - I/77 - Ø 47	1
DC19	<u>5364811S</u>	Gear 93 teeth		1
DC20	<u>7415040B</u>	Bearing		2
DC21	<u>7261042N</u>	Interior circlip		2
DC22	<u>830860</u>	Exterior circlip - Ø 20	C2	2
DC23	<u>7282062K</u>	Pinion key - 23 teeth	2 BR 6 x 6 x 20	1
DC24	<u>7412045W</u>	Bearing		1
DC25	<u>7412040R</u>	Bearing	I/77	1
DC31	<u>5434501S</u>	Gearcase 2 speeds		1
DC32	<u>5364701X</u>	Hardened pinion shaft 23 teeth		1
DC33	<u>5364601P</u>	Gear high speed 69 teeth		1
DC34	<u>5434603C</u>	Cover 42		1
DC131	<u>7211252F</u>	HM screw 5 x 10		2
DC132	<u>830205</u>	Securing screw for brake bar HM 8 x 25		2
DC133	<u>830203</u>	Screw M8 K20	C3 / PRC	2
E36	<u>5364611Z</u>	Pinion motor 23 teeth		1
E361e	<u>5438111R</u>	Collar pinion motor - 23 teeth	EA-E - E HPR72 - A,D	1
RCe12	<u>5260011D</u>	Protection cover	E	1
RCe13	<u>5260014G</u>	Protection cover	EA	1

4) Brake E and EA-EB

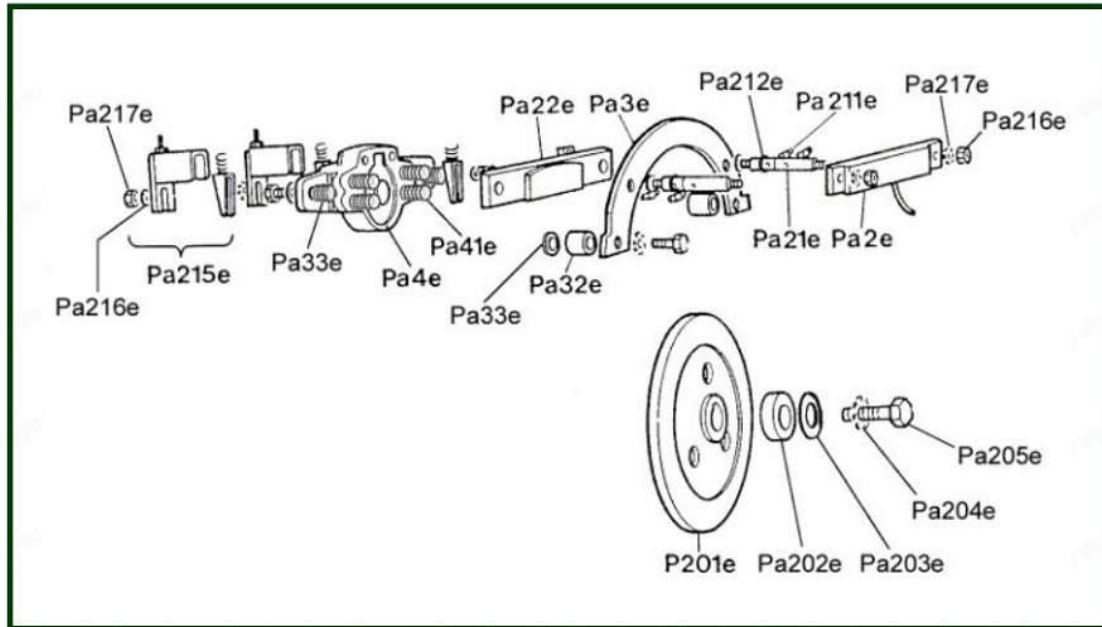


4.1) Manual brake



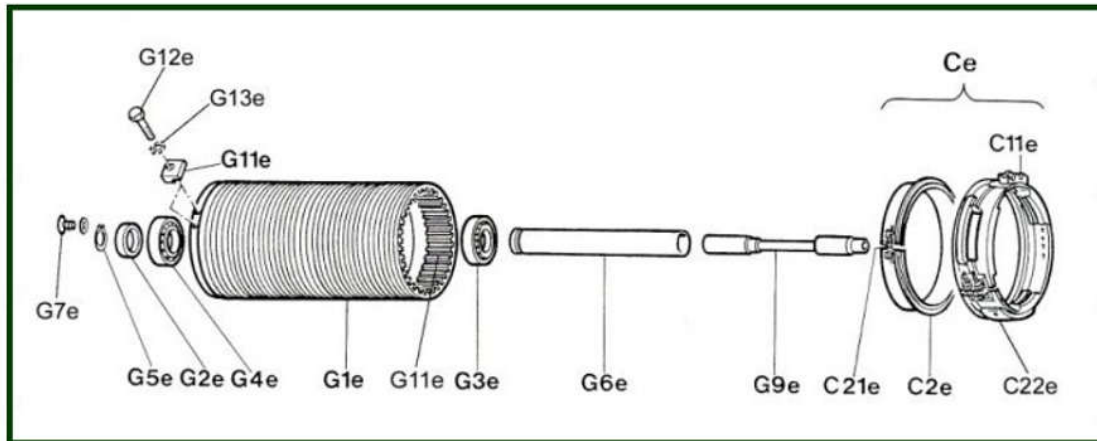
item	reference	description	observation	Quantity
-	3265111J	Complete manual brake - 24V	Sans disque / Without disc	1
-	3265112K	Complete manual brake - 48V		1
-	5265151R	Plate for brake yoke		1
-	EP1DK5071/72T	Set of brake jaws + bushes + studs		1
P2e	5255137F	Brake jaw solenoid side		1
P3e	5365101G	Brake support		1
P4e	5255121P	Brake coil - 24V	Fils bleu et rouge / Blue and red wires	1
P5e	5275141Z	KNO stops		1
P7e	5255136E	Studs		2
P20e	5255134C	Brake shoes		1
P31e	5255142L	Studs for stop		2
P41e	5265133W	Brake spring	Uniquement / Only 7Kw	4
P42e	7211209W	HM screw 5 x 45		1
P201e	5265201V	Brake disc sub-assembly with support	Seulement pour / Only for type E	1
P202e	5260021Q	Clamping ring		1
P203e	5844411W	Washer 11 x 40 x 3		1
P204e	7211554W	HM screw 10 x 20		1
P311e	5255144P	AKULON stops		1
P312e	5235152H	Springs for studs		1
Pa216e	7222100J	Flat nut - 10mm		1

4.2) Automatic brake



item	reference	description	observation	Quantity
-	3265115N	Automatic Brake - 48V		1
-	3265113L	Automatic brake complete - 24V	Sans disque / Without disc	1
-	5355122K	Brake coil - 48V	Fils noir et blanc / Black and white wires	1
P201e	5365201R	Brake disc		1
P202e	5260021Q	Clamping ring		1
P203e	5844411W	Washer 11 x 40 x 3		1
P204e	7211554W	HM screw 10 x 20		1
Pa2e	5255134C	Brake shoes		1
Pa3e	5365101G	Brake support		1
Pa4e	5265121H	Brake coil - 24V	Fils bleu et rouge / Blue and red wires	1
Pa21e	5355131V	Axle		2
Pa22e	5255138G	Brake bar		1
Pa32e	5365102H	Guide for brake support		2
Pa33e	5265151R	Plate for brake yoke		1
Pa41e	5265133W	Brake spring	Uniquement / Only 7Kw	4
Pa211e	5255147S	Wedge follower		4
Pa212e	7791090B	Torque seal		2
Pa214e	5255150V	Gap control spring		2
Pa215e	PA215	Wedge guide (pressing spring + key)		1
Pa216e	7222100J	Flat nut-10mm		4
Pa217e	7232100D	Narrow Grower washer - 10mm	DIN12	2
Pa218e	7221100X	HM nut - ø 10	D	1

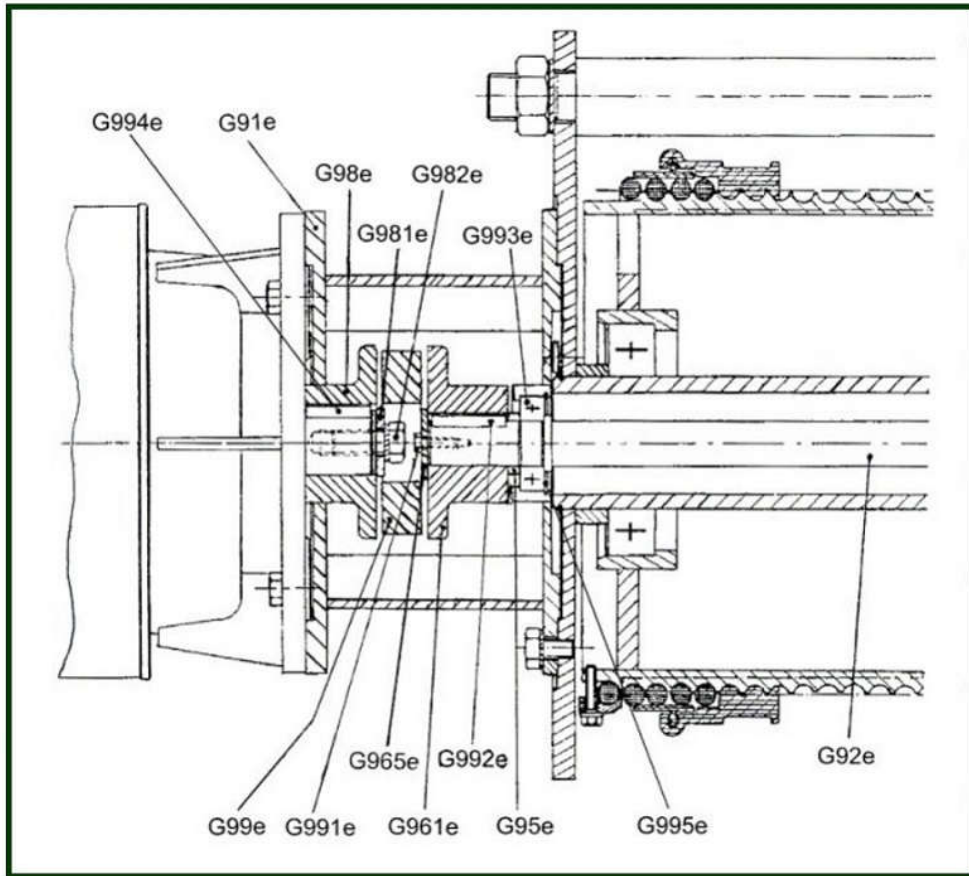
5) Drum / Rope guide / Coupling



item	reference	description	observation	Quantity
-	7281104U	Key 10 x 8 x 55		1
C2e	E1PE202T	Spring	E - EA	1
C11e	5232342D	Traveller for rope guide		1
C21e	5242332N	Pressure ring spring - 10,5		1
C22e	5252316Q	Bracket	D-DA & RD	2
C23e	7211359J	HM screw 6 x 45		2
C24e	7215456N	BTR screw 8 x 30		2
C25e	7216453W	TFHC Screw		4
Ce	3262322C	Rope guide complete 12,5D	E - EA	1
Ce	3262323D	Rope guide complete 12,5G	E - EA	1
Ce	3262320A	Rope guide complete 16D	E - EA	1
G1e	5262122Y	Drum type L	E	1
G1e	5362122U	Drum type L	EA	1
G1e	5362112H	Drum type L	EA Lg 707 mm	1
G1e	5262112N	Drum type L	E Lg 710 mm	1
G1e	5262121X	Drum type N	E	1
G1e	5362121T	Drum type N	EA	1
G1e	5362111G	Drum type N	EA Lg 482 mm	1
G1e	5262111L	Drum type N	E Lg 485 mm	1
G1e	5262123Z	Drum type SL	E	1
G1e	5362123V	Drum type SL	EA	1
G1e	5362113J	Drum type SL	EA Lg 927 mm	1
G1e	5262113P	Drum type SL	E Lg 930 mm	1
G1e	5262124A	Drum type SSL	E	1
G1e	5362124W	Drum type SSL	EA	1
G1e	5362114K	Drum type SSL	EA Lg 1122 mm	1
G1e	5262114Q	Drum type SSL	E Lg 1125 mm	1
G2e	5262136P	Spacer collar		1
G3e	7425170N	Bearing	E / EA	1
G4e	7412170G	Bearing	DA-RD	1
G5e	7262085W	Exterior circlip	DA-RD	1
G5e	7261150E	Internal circlipS - 150	E / EA	1
G6e	5262132J	Central tube type L	E	1
G6e	5362132E	Central tube type L	EA	1
G6e	5262131H	Central tube type N	E	1
G6e	5362131D	Central tube type N	EA	1
G6e	5262133K	Central tube type SL	E	1
G6e	5362133F	Central tube type SL	EA	1
G6e	5262134L	Central tube type SSL	E	1
G6e	5362134G	Central tube type SSL	EA	1
G7e	7216353N	Coun tersunk screw 6 x 16	EA	1

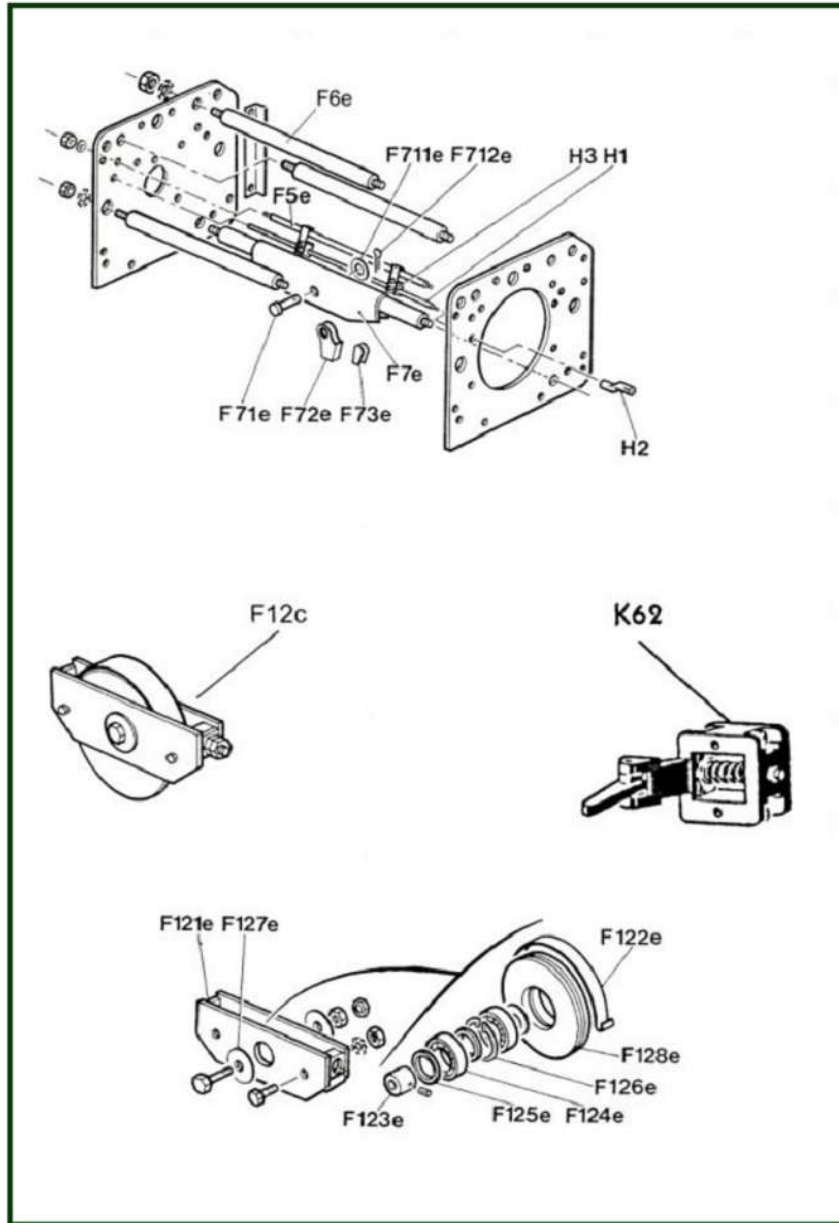
G9e	<u>3362411V</u>	Drive shaft type L - 18 splines	EA Lg 726 mm	1
G9e	<u>3362410U</u>	Drive shaft type N - 18 splines	EA Lg 501 mm	1
G9e	<u>3262412A</u>	Drive shaft type SL - 6 splines	E Lg 952 mm	1
G9e	<u>3262413B</u>	Drive shaft type SSL - 6 splines	E Lg 1147 mm	1
G9e	<u>3362413X</u>	Drive shaft type SSL - 18 splines	EA Lg 1141 mm	1
G9e	<u>3262411Z</u>	Drive shaft type L - 6 splines	E Lg 732 mm	1
G9e	<u>3262410Y</u>	Drive shaft type N - 6 splines	E Lg 507 mm	1
G9e	<u>3362412W</u>	Drive shaft type SL - 18 splines	EA Lg 946 mm	1
G11e	<u>8636261R</u>	Rope anchor bracket on drum	E - EA	2
G12e	<u>7211657H</u>	Screw		2
G13e	<u>7232120A</u>	Grower washer (12)		2

6) Coupling EB



item	reference	description	observation	Quantity
G91e	5368201B	Mouting plate		1
G92e	5362431E	Drive shaft type L		1
G92e	5362430D	Drive shaft type N		1
G92e	5362432F	Drive shaft type SL		1
G92e	5362433G	Drive shaft type SSL		1
G95e	5368204E	Spacer collar		1
G97e	5362435J	Bush		1
G98e	5275802T	Coupling plate - Motor side		1
G99e	7380308Z	Flexibile coupling		1
G961e	5368202C	Coupling plate - Shaft set		1
G965e	5368203D	Washer - Shaft side		1
G981e	5278001H	Stop washer		1
G982e	7211806V	Screw - HM 16 x 30		1
G991e	7211355E	HM screw		1
G992e	7281085Y	Cotter pin 8 x 7 x 50		1
G993e	7412061P	Bearing	C32 - A,B	1
G994e	7281104U	Key 10 x 8 x 55		1
G995e	7261062J	Interior circlip	Ø 62	1

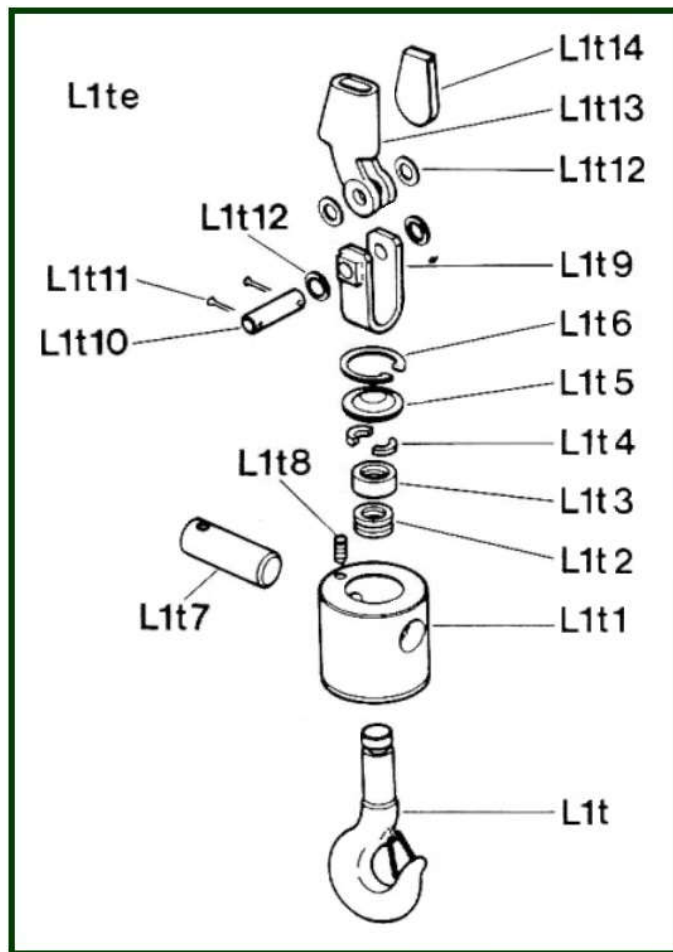
7) Return / Fixed point / Limit switch / Limiter



item	reference	description	observation	Quantity
	NC(1)	Counterweight		0
	5361565R	Protection return pulley	Sur demande / On request	1
-	5361567R	Bush 27 x 27 x 136	Sur demande / On request	1
-	5361568S	Fixed point bracket	Sur demande / On request	1
-	7541412N	Limit switch contact - Top		1
-	7545111H	Load limiter electrical contact	Avant fin / Before end 1991	1
-	3261911F	Load limiter mechanism plate		1
-	5361566Q	Ring 70 x 90 x 6,5		1
-	7545112J	Switch	Avant fin / Before end 1991	1
F5e	5261302G	Rope guide spacer L	E - EA	1
F5e	5261301F	Rope guide spacer N	E - EA	1
F5e	5261303H	Rope guide spacer SL	E - EA	1
F5e	5261304J	Rope guide spacer SSL	E - EA	1
F6e	5261322D	Frame bush D50 - L	E - EA sur demande / on request	1
F6e	5261321C	Frame bush D50 - N	E - EA sur demande / on request	1
F6e	5261323E	Frame bush D50 - SL	E - EA sur demande / on request	1

F6e	5261324F	Frame bush D50 - SSL	E - EA sur demande / on request	1
F7e	5261402R	Fixed point yoke L		1
F7e	5261902J	Fixed point yoke limiter L		1
F7e	5261901H	Fixed point yoke limiter N		1
F7e	5261903K	Fixed point yoke limiter SL		1
F7e	5261904L	Fixed point yoke limiter SSL		1
F7e	5261401Q	Fixed point yoke N		1
F7e	5261403S	Fixed point yoke SL		1
F7e	5261404T	Fixed point yoke SSL		1
F12c	3261520F	Return pulley assembly L		1
F12c	3261521G	Return pulley assembly SL		1
F12c	3261522H	Return pulley assembly SSL		1
F71e	5261411A	Shaft	DA - Ø 12 mm	1
F72e	8536126Y	Rope attachment	Câble / Rope Ø 12 mm	1
F73e	8536228J	Rope wedge	Câble / Rope Ø 11 mm - DA	1
F73e	8536226G	Wedge for cable (Æ 14)		1
F121e	5261515P	Return pulley yoke L		1
F121e	5261516Q	Return pulley yoke SL		1
F121e	5261517R	Return pulley yoke SSL		1
F122e	5261527B	Rope pulley protection		1
F123e	5261564N	6/1 return pulley shaft	Sur demande	1
F123e	5261528C	Return pulley shaft		1
F124e	7412141A	Bearing		2
F125e	5263618Z	Ring 70 x 90 x 4,5		3
F126e	7261125C	Circlips Ø 125		1
F127e	5263616X	Washer		2
F128e	5263420J	Pulley		1
F711e	7231201B	Flat washer		1
F712e	7271405B	Split pins	Câble / Rope Ø 11 mm	1
H1	5261332Q	Limit switch operating rod L	Lg 835 mm	1
H1	5261331P	Limit switch operating rod N	Lg 610 mm	1
H1	5261333R	Limit switch operating rod SL	Lg 1055 mm	1
H1	5261334S	Limit switch operating rod SSL	Lg 1250 mm	1
H2	5231343T	Threaded ferrule for limit rod		1
H3	5231342S	Guide for tappets		2
H3	7211254V	Screw		4
H3	5231341R	Tappet		2
H3	7232050Z	Washer		4
K62	5632003T	Hoisting limit switch contact bracket	Basse tension / Low voltage	1
K62	3632111X	Limit switch contact	Basse tension pour / Low voltage for C	1

8) Hook, 1 ropped



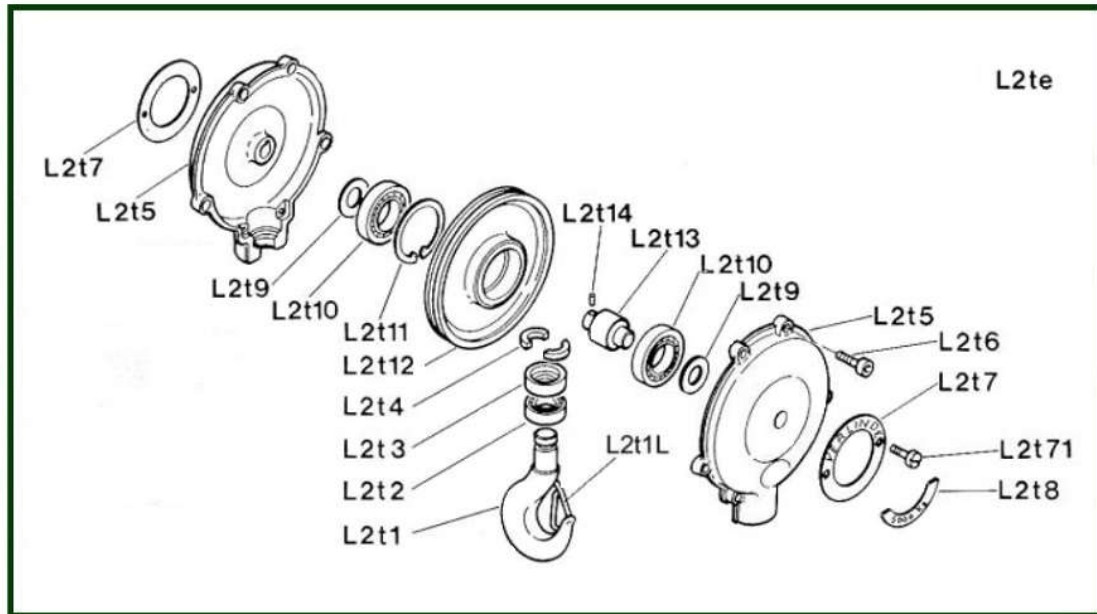
8.1) Câble Ø 12 mm

item	reference	description	observation	Quantity
-	<u>SR32F</u>	Safety catch (wire)	Câble / Rope Ø 11 & 12 mm	0
L1t1	<u>5233301W</u>	Washer	Câble / Rope Ø 11 & 12 mm	0
L1t2	<u>7431062S</u>	Thrust bearing		0
L1t3	<u>5233612J</u>	Cylindrical dish	Câble / Rope Ø 11 & 12 mm	0
L1t4	<u>5233613K</u>	Half segment ring	Câble / Rope Ø 11 & 12 mm	0
L1t5	<u>5233615N</u>	Cap	Câble / Rope Ø 11 & 12 mm	0
L1t6	<u>7261080D</u>	Internal circlip - Ø 80		0
L1t7	<u>5233302X</u>	Axle	Câble / Rope Ø 11 & 12 mm	0
L1t8	<u>7217434N</u>	Pointed screw	Câble / Rope Ø 11 & 12 mm	0
L1t9	<u>5263311R</u>	Stirrup	Câble / Rope Ø 12 mm	0
L1t10	<u>5263312S</u>	Rope attachment axle	Câble / Rope Ø 12 mm	0
L1t11	<u>831656</u>	Split pin		2
L1t12	<u>400762</u>	Washer	C1 - Câble / Rope Ø 12 mm	0
L1t13	<u>8536126Y</u>	Rope attachment	Câble / Rope Ø 12 mm	1
L1t14	<u>8536128J</u>	Rope wedge	Câble / Rope Ø 11 & 12 mm	0
L1t	<u>5233610G</u>	Hook with safety catch		0
L1td	<u>2253311B</u>	Hook assembly - 1 fall	Câble / Rope Ø 12 mm	1

8.2) Câble Ø 14 mm

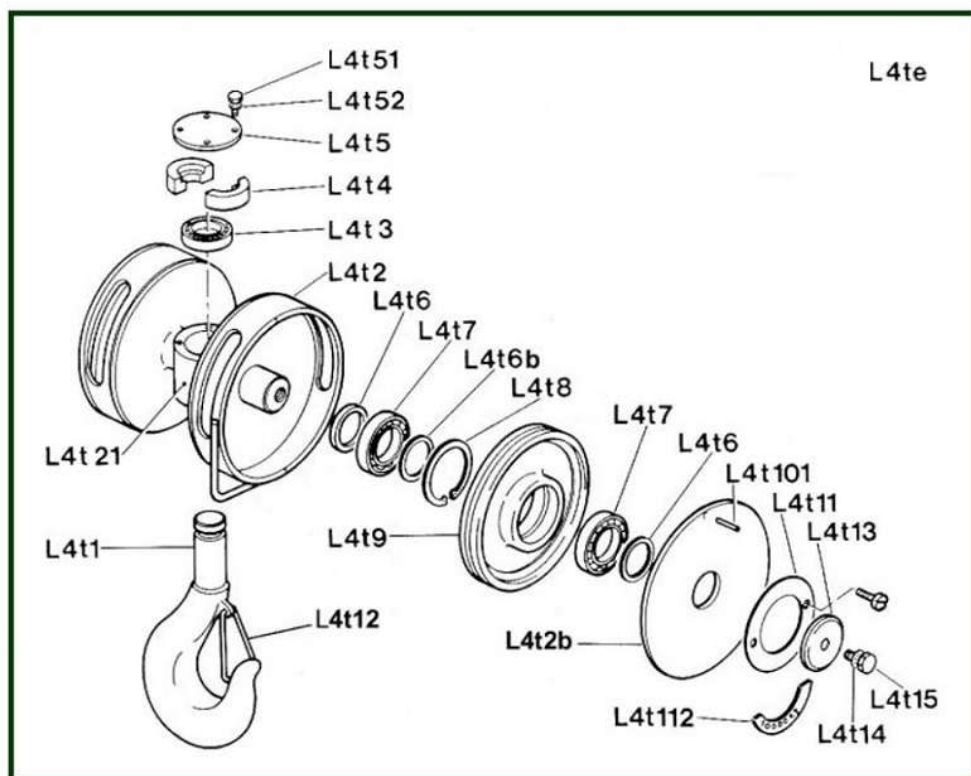
item	reference	description	observation	Quantity
-	<u>SR32F</u>	Safety catch (wire)	Câble / Rope Ø 11 & 12 mm	1
L1t1	<u>5233301W</u>	Washer	Câble / Rope Ø 11 & 12 mm	1
L1t2	<u>7431062S</u>	Thrust bearing		1
L1t3	<u>5233612J</u>	Cylindrical dish	Câble / Rope Ø 11 & 12 mm	1
L1t4	<u>5233613K</u>	Half segment ring	Câble / Rope Ø 11 & 12 mm	1
L1t5	<u>5233615N</u>	Cap	Câble / Rope Ø 11 & 12 mm	1
L1t6	<u>7261080D</u>	Internal circlip - Ø 80		1
L1t7	<u>5233302X</u>	Axle	Câble / Rope Ø 11 & 12 mm	1
L1t8	<u>7217434N</u>	Pointed screw	Câble / Rope Ø 11 & 12 mm	1
L1t9	<u>5263311R</u>	Stirrup	Câble / Rope Ø 12 mm	1
L1t10	<u>5263312S</u>	Rope attachment axle	Câble / Rope Ø 12 mm	1
L1t11	<u>831656</u>	Split pin		2
L1t12	<u>7231201B</u>	Flat washer		4
L1t13	<u>8536126Y</u>	Rope attachment	Câble / Rope Ø 12 mm	1
L1t14	<u>8536226G</u>	Wedge for cable (Æ 14)		0
L1t	<u>5233610G</u>	Hook with safety catch		1
L1te	<u>3263310J</u>	1 fall hook assembly		1

9) Lifting hook, 2 roped



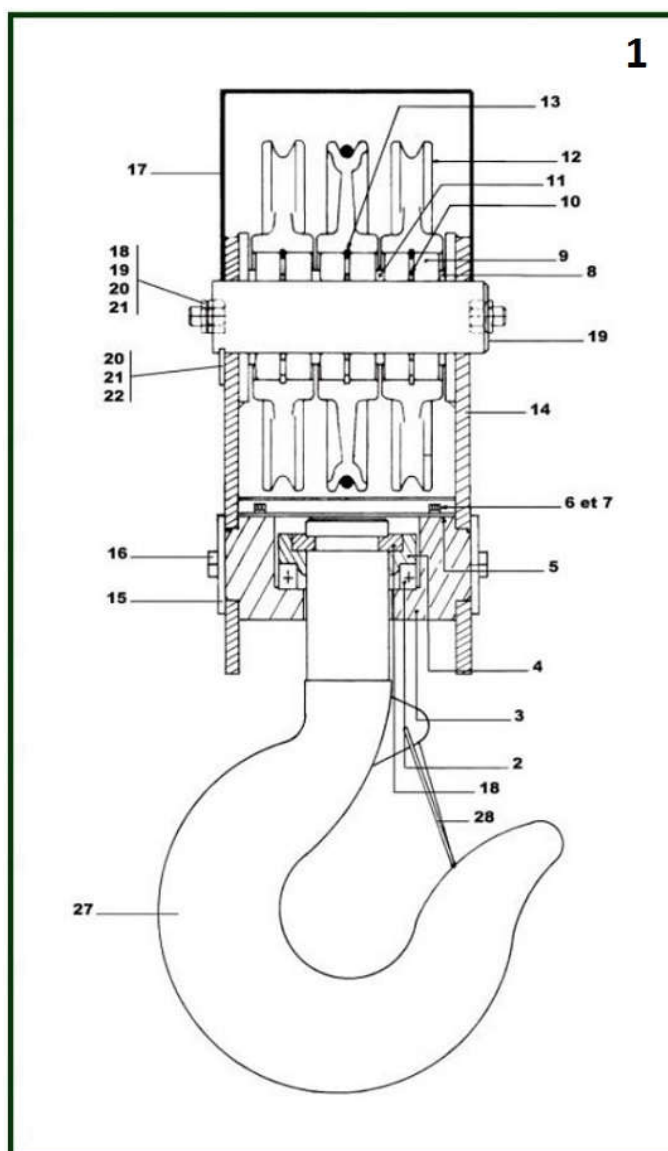
item	reference	description	observation	Quantity
	NC(1)	Counterweight		0
L2t1	5263413B	Hook and safety catch		1
L2t1L	SR60XP	Gravity operated safety catch with bolt and nut		1
L2t1L	SR60X	Plate safety catch		1
L2t1L	SR60F	Steel safety catch		1
L2t2	7431102K	Thrust bearing		1
L2t3	5263415D	Seating ring		1
L2t4	5263414C	2 part collar		1
L2t5	5263410Y	Gear housing	Pièces vendues ensemble / Parts sold together	2
L2t6	7215660J	CHCM screw 12 x 50		6
L2t7	KP4C	Company name plate		2
L2t8	KP10AV	Company name plate VERLINDE		2
L2t8	KP13A50GB	SWL plate 5 tons		2
L2t8	KP13A50	SWL plate 5000 kg		2
L2t8	KP15A2	SWL plate	Groupe II	2
L2t9	5263416E	Ring thickness 4 mm		2
L2t10	7412141A	Bearing		2
L2t11	7261125C	Circlips Ø 125		1
L2t12	5263420J	Pulley		1
L2t13	5263412A	Sheave pin		1
L2t14	7273252J	Dowel 5 x 10		1
L2t71	7211353C	HM screw 6 x 16	Liaison câble-tambour / For rope-drum	1
L2te	3263410K	2 fall hook assembly		1

10) Lifting hook, 4 ropped



item	reference	description	observation	Quantity
L4t1	5263610R	Hook with safety catch		1
L4t2	5263621C	Pulley protection cover	Pièces vendues ensemble / Parts sold together	2
L4t2b	5263615W	Casing closing disc		1
L4t3	7431122G	Thrust bearing		1
L4t4	5263612T	2 part collar		1
L4t5	5263620B	Closing plate		1
L4t6	5263617Y	Ring 70 x 90 x 9		4
L4t6b	5263618Z	Ring 70 x 90 x 4,5		1
L4t8	7261125C	Circlips Ø 125		2
L4t9	5263420J	Pulley		2
L4t11	KP4C	Company name plate		2
L4t12	SR120XP	Gravity operated safety catch with bolt and nut		1
L4t12	SR100X	Plate safety catch		1
L4t12	SR120F	Steel safety catch		1
L4t13	5263616X	Washer		2
L4t14	7232160U	Washer		2
L4t15	830610	HM 16 x 30 screw		2
L4t21	5263619A	Hook housing		1
L4t51	7211655F	HM screw 12 x 25		4
L4t52	7232120A	Grower washer (12)		1
L4t101	831640	Dowel 3 x 20		2
L4t111	7211353C	HM screw 6 x 16	Liaison câble-tambour / For rope-drum	4
L4t112	KP10AV	Company name plate VERLINDE		2
L4t112	KP13A80GB	SWL plate	8 tons	2
L4t112	KP13A80	SWL plate	8 000 kg	2
L4t112	KP13A100	SWL plate	10 000 Kg	2
L4t112	KP13H125	SWL plate	12 500 Kg	2
L4t112	KP15A2	SWL plate	Groupe II	2
L4te	3263610C	Hook assembly - 4 falls		1

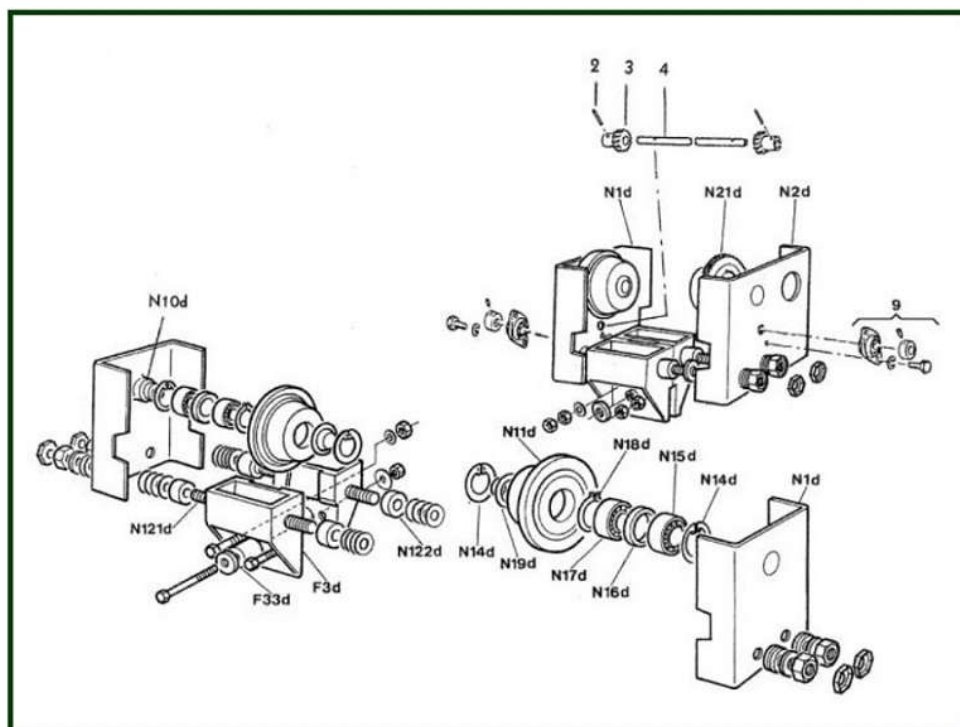
11) Lifting hook, 6 roped



item	reference	description	observation	Quantity
1	2363810J	Hook assembly - 6 falls	1600 kg	1
2	7431201T	Ball end stop		1
3	5363821R	Hook crosshead		1
4	5273634L	Dish		1
5	5363822S	Cover plate for hook		1
7	7232060K	Washer M6	Standard	4
8	5361566Q	Ring 70 x 90 x 6,5		2
9	7412141A	Bearing		6
10	5263618Z	Ring 70 x 90 x 4,5		3
11	5263617Y	Ring 70 x 90 x 9		2
12	5263420J	Pulley		3
13	7261125C	Cirelips Ø 125		3
14	5363820Q	Flange 6/1		2
15	5571012Y	Washer		2
16	7211353C	HM screw 6 x 16	Liaison câble-tambour / For rope-drum	2
17	5363827X	Protection housing for 6/1 lifting hook		1
18	5273632J	Half segment ring		1
19	5363824U	6/1 pulley axle		1
20	5263817R	Stoping plate		1
21	7232120A	Grower washer (12)		2

22	<u>7211654E</u>	HM screw 12 x 20		2
23	<u>5363825V</u>	Bush		2
24	<u>5363826W</u>	Spacer bolt	Lg 310 mm	2
25	<u>7221200F</u>	M20 nut		4
26	<u>7223200E</u>	PAL M20 nut		4
27	<u>5273610K</u>	Complete hook	20 T	1
28	<u>SR200F</u>	Safety clip		1
-	<u>KP4C</u>	Company name plate		2

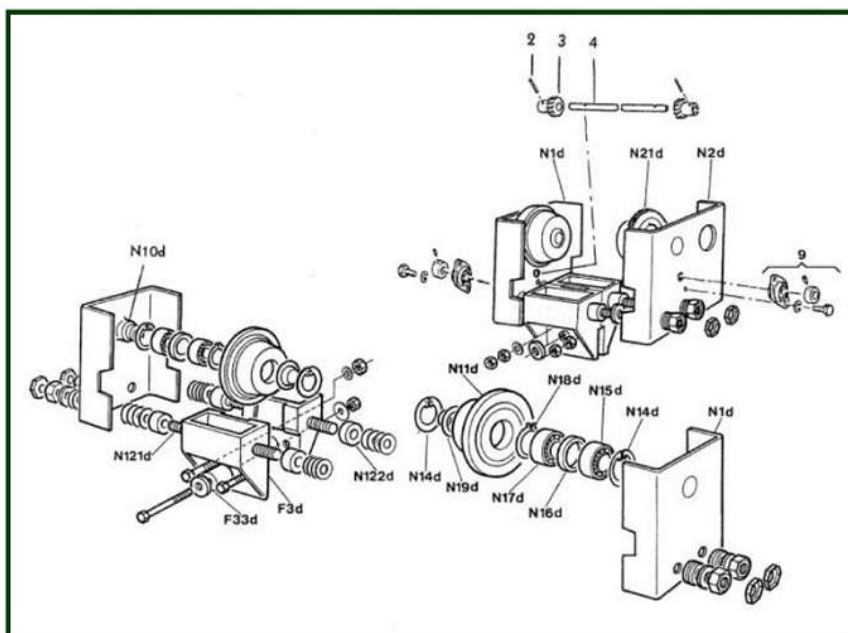
12) Monorail trolley HPN < 6300 Kg



item	reference	description	observation	Quantity
2	7273356X	MECANINDUS 6 x 30 pin		2
3	5833520H	Intermediate pinion	20 dents / 20 teeth	3
4	141043295	Jack shaft - Lg 340mm	Fer 90 à 150	1
4	141043296	Jack shaft - Lg 390mm	Fer 151 à 200	1
4	141043297	Jack shaft - Lg 440mm	Fer 201 à 250	1
4	141043298	Jack shaft - Lg 490mm	Fer 252 à 300	1
9	7447100Z	Bearing PFT		2
-	7661106Q	Earth brush	C1-C2-C3 - D & DA - 75 amp.	1
-	ECDK20T	Geared wheel with fittings without axle	Ancien modèle / Old model	1
-	ECDK10T	Idler runner with fittings without axle	Ancien modèle / Old model	1
-	7541312D	Travel limit switch	C1-C2-C3	1
F3d	141043304	Crosshead		2
F3d	5542252N	Crosshead		2
F33d	5542208Q	Suspensions sleeves		2
N1d	3541111J	Ungear side plate with fittings	Avant / Before 01/1986	3
N1d	3541113L	Ungear side plate with fittings	Depuis / Since 01/1986	2
N1d	3541114N	Ungear side plate with fittings - Driven runner	Depuis / Since 01/1986	1
N1d	5541111X	Ungear side plate without fittings with axle	Avant / Before 01/1986	3
N1d	5541113Z	Ungear side plate without fittings with axle	Depuis / Since 01/1986	2
N2d	3541311B	Geared side plate with fittings	Avant / Before 01/1986	1
N2d	3541313D	Geared side plate with fittings - Left end carriage	Depuis / Since 01/1986	1
N2d	5541311Q	Geared side plate without fittings with axle	Avant / Before 01/1986	1
N2d	5541313S	Geared side plate without fittings with axle	Depuis / Since 01/1986	1
N10d	6541104W	Axle		4
N11d	4541111R	Idler runner with fittings without axle		1
N11d	5441151V	Idler runner without fittings with axle	Ø 150 x 186	1
N14d	7261080D	Internal circlip - Ø 80		2
N15d	7413070K	Bearing		1
N16d	5441152W	Collar		1
N17d	7412081K	Bearing		1

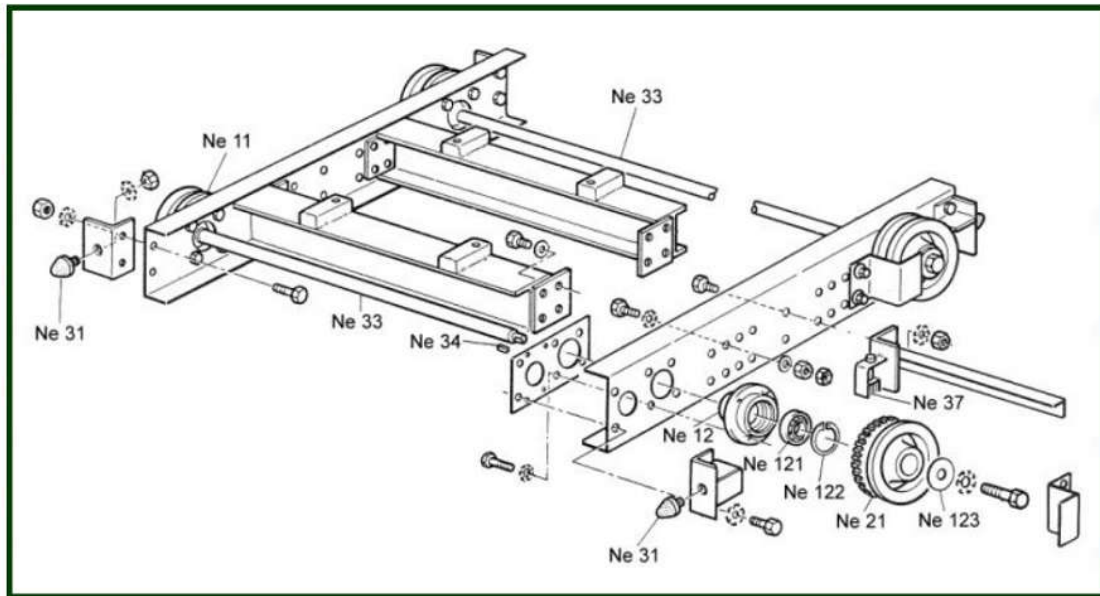
N18d	<u>7262035S</u>	Circlip - Ø 35		1
N19d	<u>5233615N</u>	Cap	Câble / Rope Ø 11 & 12 mm	1
N21d	<u>4541311H</u>	Geared wheel with fittings without axle		1
N21d	<u>5441351N</u>	Geared wheel without fittings	Ø 150 x 186 - 60 dents / 60 teeth	1
N121d	<u>5442102D</u>	Spacer	Lg 370mm	4
N121d	<u>5452102Y</u>	Spacer	Lg 440mm	4
N121d	<u>5452106C</u>	Spacer	Lg 540mm	4
N122d	<u>5442116U</u>	Collar	ép. /th. 25mm	1
N122d	<u>5442117V</u>	Collar	ép. /th. 50mm	1

13) Monorail trolley > 6300 Kg



item	reference	description	observation	Quantity
2	7273356X	MECANINDUS 6 x 30 pin		2
3	5833520H	Intermediate pinion	20 dents / 20 teeth	3
4	141043295	Jack shaft - Lg 340mm	Fer 90 à 150	1
4	141043296	Jack shaft - Lg 390mm	Fer 151 à 200	1
4	141043297	Jack shaft - Lg 440mm	Fer 201 à 250	1
4	141043298	Jack shaft - Lg 490mm	Fer 252 à 300	1
9	7447100Z	Bearing PFT		2
-	7661106Q	Earth brush	C1-C2-C3 - D & DA - 75 amp.	1
-	ECDK20T	Geared wheel with fittings without axle	Ancien modèle / Old model	1
-	ECDK10T	Idler runner with fittings without axle	Ancien modèle / Old model	1
-	7541312D	Travel limit switch	C1-C2-C3	1
F3d	5542252N	Crosshead		2
F3d	141043304	Crosshead		2
F33d	5542208Q	Suspensions sleeves		2
N1d	3551113F	Ungeared side plate		2
N1d	3551114G	Ungeared side plate complete driven wheels		1
N1d	5551113U	Ungeared side plate without fittings		3
N2d	3551312X	Geared side plate complete		1
N2d	5551312K	Geared side plate without fittings		1
N10d	6551103Q	Axle		1
N11d	5451151Q	Idler runner without fittings with axle	180 x 216	1
N11d	4551111K	Travel wheel		1
N14d	7261090Q	Interior circlip		2
N15d	7412101G	Bearing	Après / After 06 / 83	1
N16d	5451155U	Collar 82 x 89 x 12		1
N17d	7424080C	Bearing		1
N18d	7262040X	Exterior circlip		1
N19d	5243615G	Cap		2
N21d	5451351G	Geared wheel only	180 x 216	1
N21d	4551311B	Wheel motor		1
N121d	5442102D	Spacer	Lg 370mm	4
N121d	5452102Y	Spacer	Lg 440mm	4
N121d	5452106C	Spacer	Lg 540mm	4
N122d	5442116U	Collar	ép. /th. 25mm	1
N122d	5442117V	Collar	ép. /th. 50mm	1

14) Double girder frame - Type E & EA



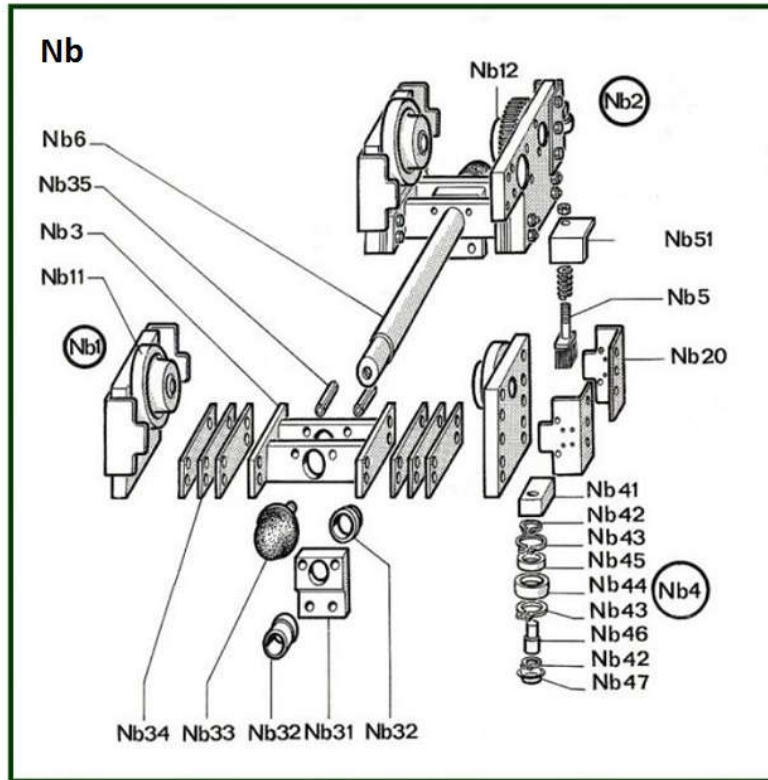
item	reference	description	observation	Quantity
Ne11	5481151Y	Idler runner - Ø200		3
Ne11	5571151Z	Idler runner - Ø200	Depuis / Since 06 / 83	3
Ne12	5571010W	Bearing housing	Depuis / Since 06 / 83	4
Ne21	5571351S	Driven runner - Ø200 - 76 teeth	Depuis / Since 06 / 83 71 mm	1
Ne21	5481352S	Driven runner - Ø200 - 76 teeth	63 mm	1
Ne31	7910802Y	Rubber buffer	Ø 80	4
Ne33	5572214E	Shaft - 1,4m		2
Ne33	5482221L	Shaft - 1,4m	Pour galet / For wheel Ø200	2
Ne33	5482211A	Shaft - 1m	Avant / Before 06 / 83 - Galet / Wheel - Ø200	2
Ne33	5572210A	Shaft groove - 1m		2
Ne34	7281142K	Key		4
Ne37	3661106Q	Earth brush 75 amp.		1
Ne121	7425100L	Bearing		4
Ne121	7412101G	Bearing	Après / After 06 / 83	4
Ne121	7417085Z	Bearing	Galet / Wheel Ø160	4
Ne122	7261090Q	Interior circlip		4
Ne123	5571012Y	Washer		4

14.1) Double girder 16 & 20 tonnes

item	reference	description	observation	Quantity
	<u>7424090P</u>	Bearing ball joint	Equipement galet traité / Treated wheel	8
	<u>5842023A</u>	Driven runner heat treated G = 50 mm	Ø 250 mm - Equipement galet traité / Treated wheel	2
	<u>7661105P</u>	Earth brush	150 amp.	1
	<u>5842032K</u>	Heat treated wheel shaft	Ø 45 mm - Equipement galet traité / Treated wheel	4
	<u>5842013Q</u>	Idler runner heat treated G = 50 mm	Ø 250 mm - Equipement galet traité / Treated wheel	2
	<u>7261100A</u>	Interior circlip - Ø 100		8
	<u>5842042W</u>	Shouldered Collar		4
	<u>5842034N</u>	Spacer collar - 47 x 57 x 70	Equipement galet traité / Treated wheel	4
	<u>5841041H</u>	Stop plate		4

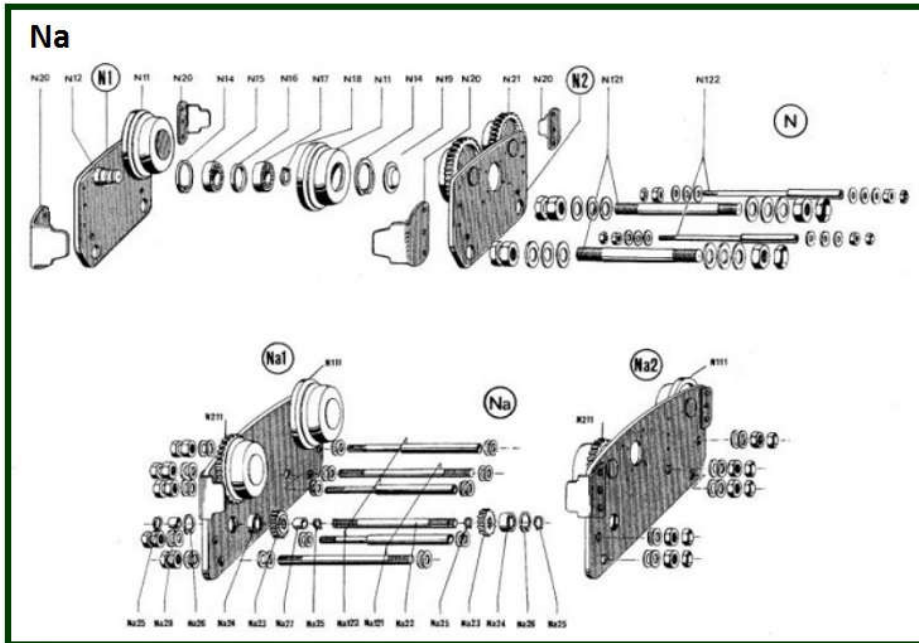
15) Bissel trolley - E Type

NOUS CONSULTER / CONSULT US

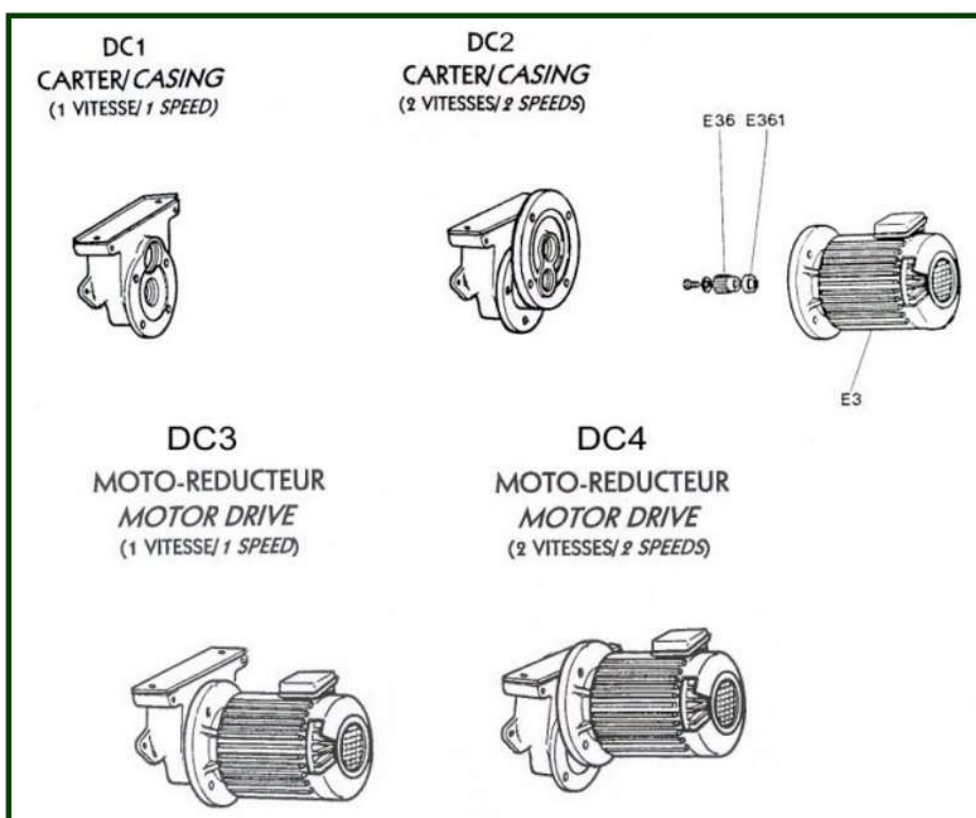


16) NA trolley - E type

NOUS CONSULTER / CONSULT US



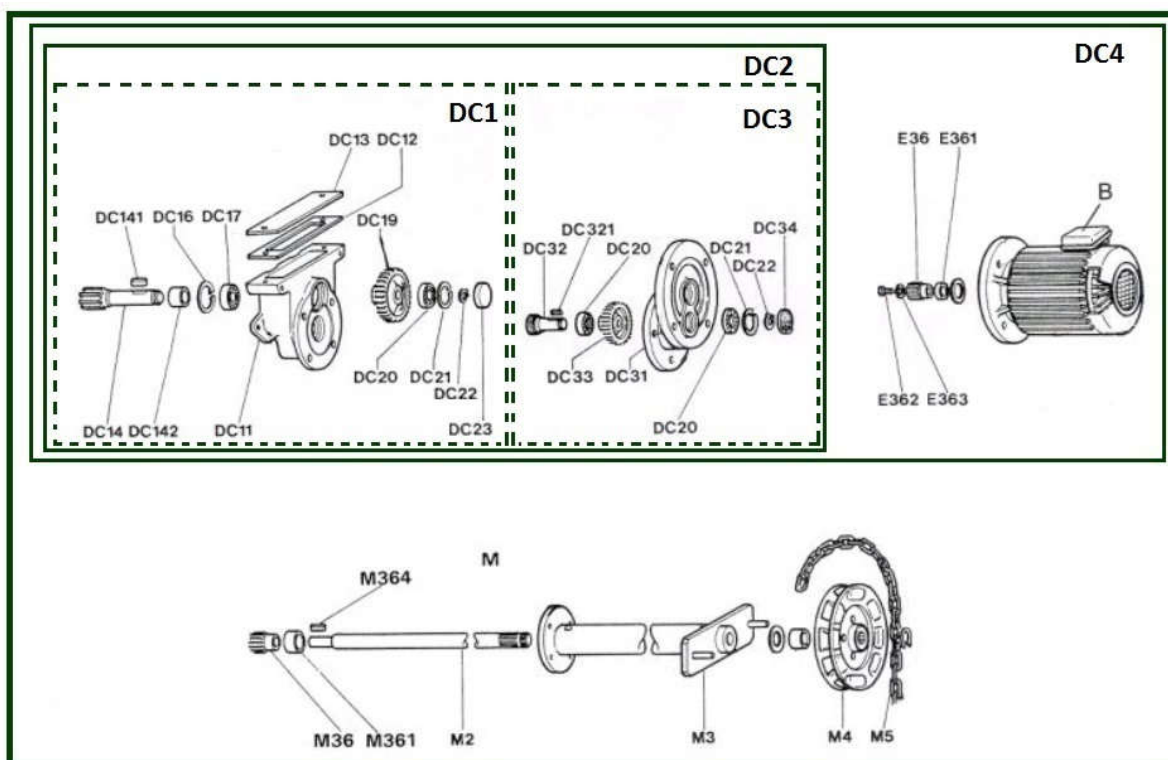
17) Gear and motorgear



item	reference	description	observation	Quantity
-	5438112S	Pinion collar - 32 teeth	EA-E - E HPR72 - B,C,E	1
DC1	3544011L	Gear - 10 or 20/5m/mn - 16 teeth	HPR72 Chariot Bissel / Bissel trolley	1
DC1	3444020A	Gear - 20 or 30 m/min - 23 teeth	EA - Birail / Double girder 16T & 20T	1
DC1	3444013T	Gear - 20 or 30m/mn - 11 teeth	EA - Birail / Double girder	1
DC1	3444010Q	Gear - 20 or 30m/mn - 16 teeth	E	1
DC1	3544010K	Gear - 20 or 30 m/mn - 16 teeth	HPR72 Chariot Bissel / Bissel trolley	1
DC2	3444011R	Gear 10 or 20/5m/mn - 16 teeth	E	1
DC2	3444014U	Gear - 5 or 10m/mn - 11 teeth	EA	1
DC2	3444015V	Gear - 30/7,5m/mn - 11 teeth	EA	1
DC3	2558473Z	Motorgear 30m/mn - 23 teeth	EA - 220-380V 16T & 20T	1
DC3	2548143W	Motorgear - 10 m/mn - 11 teeth	E - 200-380V 6,3T	1
DC3	3447561Z	Motorgear - 10m/mn - 16 teeth	E - 220-380V	1
DC3	3547861W	Motorgear - 10m/mn - 16 teeth	HPR72 Chariot Bissel / Bissel trolley	1
DC3	2548173D	Motorgear - 20 m/mn - 11 teeth	E - 220-380V 6,3T 50HZ-PA	1
DC3	2548163T	Motorgear - 20 m/mn - 11 teeth	E - 220-380V 6,3T 50HZ-PA	1
DC3	3447441U	Motorgear - 20m/mn - 16 teeth	E - 220-380V	1
DC3	3547741R	Motorgear - 20m/mn - 16 teeth	HPR72 Chariot Bissel / Bissel trolley- Ø100	1
DC3	2558463P	Motorgear - 20m/mn - 23 teeth	EA - 220-380V 16T & 20T	1
DC3	2447461J	Motorgear - 30m/mn - 16 teeth	E - 200-380V 6,3T	1
DC4	3547581S	Motorgear 20/5m/mn - 11 teeth	EA - 220-380V 6,3T & 12,5T	1
DC4	2548263B	Motorgear - 20/5 m/mn - 11 teeth	E - 220-380V 50HZ-PA	1
DC4	3447571K	Motorgear - 20/5m/mn - 16 teeth	E - 220-380V 6,3T & 12,5T D50-D63 - Birail / Double girder	1
DC4	3547881T	Motorgear - 20/5m/mn - 16 teeth	HPR72 Chariot Bissel / Bissel trolley D25-D63	1
DC4	3447581W	Motorgear - 20/5 m/mn - 16 teeth	E - 220-380V	1
E3	7350272B	Brake motor LS71FAST 0,37Kw 1500t/mn 220/380V	EA-E - E HPR72 - Bride 140BA 14x30	1

E3	7350151V	Brake motor LS71FCR 0,25 Kw 1000t/mn 220/380V	EA-E - E HPR72 - Bride 140BA 14x30	1
E3	7350271A	Brake motor LS71FCR 0,37Kw 1500t/mn 220/380V	EA-E - E HPR72 - Bride 200BA 14x30	1
E3	7352401R	Brake motor LS71FCR 0,55/0.12 Kw 3000/750t/mn 220/380V	EA-E - E HPR72 - Bride 200BA 14x30	1
E3	7352261P	Brake motor LS80 FAST 0,75Kw 1500t/mn 220/380V	EA-E - E HPR72 - Bride 140BA 14x30	1
E3	7352267V	Brake motor LS80 FAST 0,75Kw 1500t/mn 220/380V	EA-E - E HPR72 - Bride 200BA 14x30	1
E3	7352760F	Brake motor LS80 FAST 0,75Kw 1500t/mn 240/415V	EA-E - E HPR72 - Plus fourni / No more supplied	1
E3	7352011S	Brake motor LS80FCR 0,18Kw 750t/mn 220/380V	EA-E - E HPR72 - Bride 200BA 14x30	1
E3	7352171R	Brake motor LS80FCR 0,55Kw 1000t/mn 220/380V	EA-E - E HPR72 - Bride 140BA 14x30 - Frein / Brake FCR 180VDC	1
E3	7352177X	Brake motor LS80FCR 0,55Kw 1000t/mn 220/380V	EA-E - E HPR72 - Bride 200BA 14x30	1
E3	7352271Z	Brake motor LS80FCR 0,55Kw 1500t/mn 220/380V	EA-E - E HPR72 - Bride 200 BA 19x40	1
E3	7353407J	Brake motor LS90 FAST 0,48/0,12Kw 3000/750t/mn 220/380V	EA-E - E HPR72 - Bride 200BA 14x30	1
E3	7353037G	Brake motor LS90 FAST 220/380V 0,37Kw 3000/750t/mn	EA-E - E HPR72 - Plus fourni / No more supplied	1
E3	7353461T	Brake motor LS90 FAST 220/380V 0,75/0,18Kw 3000/750t/mn	EA-E - E HPR72 - Bride 200 BA 19x40	1
E36	5438101E	Motor pinion - 23 teeth	EA-E - E HPR72 - Alésage / Bore 14 - A,D	1
E36	5438103G	Motor pinion - 32 teeth	EA-E - E HPR72 - Alésage / Bore 14 - B,C,E	1
E361	5438111R	Collar pinion motor - 23 teeth	EA-E - E HPR72 - A,D	1

18) Electric travel and hand chain travel



item	reference	description	observation	Quantity
	5434107P	Breather		1
	5434106N	Drain plug		1
	8913045T	Grease	1 kg	1
B	BR288	Motor connecting box		1
DC11	5434104K	Gear case	1 vitesse / speed	1
DC11	5444101B	Gear case	D	1
DC12	5434103J	Seal		1
DC12	5444103D	Seal	D	1
DC13	5434105L	Cover		1
DC13	5444105F	Cover	D	1
DC14	5444211W	Drive pinion - 16 teeth	D	1
DC14	5444215A	Drive pinion M3 - 11 teeth	Largueur de denture / Tooth width 45mm (->1989) / 55mm (1989->)	1
DC16	300077	Interior circlip	D et DA - I/77 - Ø 47	1
DC17	7412045W	Bearing		1
DC17	7415050N	Bearing	D	1
DC17	7410055H	Bearing	D HPR 72 (Chariot / Trolley Bissel)	1
DC17	7464530V	Seal SIMRIT	D	1
DC19	5434201R	Gear - 93 teeth		1
DC19	5444201K	Gear - 136 teeth	D	1
DC20	7415040B	Bearing		1
DC20	7464510Y	Seal SIMRIT	20 ou 30 m/mn - 5-10 ou 20/5	1
DC21	7261042N	Interior circlip		1
DC22	830860	Exterior circlip - Ø 20	C2	1
DC23	5434203T	Sealing cap		1
DC31	5444501L	2 speeds gearcase	D	1
DC31	5434501S	Gearcase 2 speeds		1
DC32	5434611L	Pinion shaft - 23 teeth		1
DC33	5434602B	Gear - 64 teeth	30/7.5 m/mn	1
DC33	5434601A	Gear - 69 teeth	5-10-20/5 m/mn	1
DC34	5434603C	Cover 42		1
DC141	7281082V	Key	D	1

DC141	<u>7282062K</u>	Pinion key - 23 teeth	2 BR 6 x 6 x 20	1
DC142	<u>5444216B</u>	Pinion collar - 11 teeth	DA	1
DC142	<u>5444212X</u>	Pinion collar - 16 teeth	D	1
DC142	<u>5544212T</u>	Pinion collar - 19 teeth	D - HPR 72 (chariot Bissel)	1
E36	<u>5438101E</u>	Motor pinion - 23 teeth	EA-E - E HPR72 - Alésage / Bore 14 - A,D	1
E361	<u>5438111R</u>	Collar pinion motor - 23 teeth	EA-E - E HPR72 - A,D	1
M2	<u>5543214H</u>	Drive shaft - LHT	Hauteur Perdue Réduite / Low Headroom Trolley	1
M2	<u>5543213G</u>	Drive shaft - NHT	Hauteur Perdue Normale / Normal Headroom Trolley	1
M3	<u>5543203W</u>	Support tube - LHT	Hauteur Perdue Réduite / Low Headroom Trolley	1
M3	<u>5533204C</u>	Support tube - NHT	Hauteur Perdue Normale / Normal Headroom Trolley	1
M4	<u>5433215U</u>	Chain wheel	Tous types / All types	1
M5	<u>820003</u>	Galvanized hand chain - 5 x 27,1		1
M36	<u>5543216K</u>	Pinion - 11 teeth - NHT	Hauteur Perdue Normale / Normal Headroom Trolley	1
M361	<u>5543215J</u>	Pinion collar - 11 teeth - LHT	Hauteur Perdue Réduite / Low Headroom Trolley	1
M364	<u>7281054Q</u>	Key - NHT	Hauteur Perdue Normale / Normal Headroom Trolley	1
M	<u>3543213U</u>	Complete chaine drive - LHT	Hauteur Perdue Réduite / Low Headroom Trolley	1
M	<u>3543212T</u>	Complete chaine drive - NHT	Hauteur Perdue Normale / Normal Headroom Trolley	1

19) Hoisting wire rope

item	reference	description	observation	Quantity
-	<u>7312146Q</u>	Non rotating wire rope - Ø14	UL - 2/1 - Mètre / Meter	1
-	<u>7313056Z</u>	Non-rotating wire rope Ø 15	Mètre / Meter	1
-	<u>7323056U</u>	Preformed wire rope Ø 15	Mètre / Meter	1
-	<u>7322835D</u>	Preformed wire rope - Ø 14	UL - 8/1 - Mètre / Meter	1
-	<u>7333140E</u>	Rope clamp - Ø 14		1

19.1) Precut rope

item	reference	description	observation	Quantity
-	<u>S262214Y</u>	Non-rotating wire rope Ø 14	Lg 23,5m - 1/1 N	1
-	<u>S262215Z</u>	Non-rotating wire rope Ø 14	Lg 38m - 1/1 L	1
-	<u>S262211V</u>	Non-rotating wire rope Ø 14	Lg 39 m - 2/1 L	1
-	<u>S262216A</u>	Non-rotating wire rope Ø 14	Lg 52 m - 1/1 S	1
-	<u>S262212W</u>	Non-rotating wire rope Ø 14	Lg 53 m - 2/1 S	1
-	<u>S262217B</u>	Non-rotating wire rope Ø 14	Lg 64,5 m - 1/1 S	1
-	<u>S262213X</u>	Non-rotating wire rope Ø 14	Lg 65,5 m - 2/1 S	1
-	<u>S362218Y</u>	Non-rotating wire rope Ø 15	Lg 23,5 m - 1/1 N	1
-	<u>S362219Z</u>	Non-rotating wire rope Ø 15	Lg 38 m - 1/1 L	1
-	<u>S362220A</u>	Non-rotating wire rope Ø 15	Lg 39 m - 2/1 L	1
-	<u>S362221B</u>	Non-rotating wire rope Ø 15	Lg 52 m - 1/1 SL	1
-	<u>S362222C</u>	Non-rotating wire rope Ø 15	Lg 53 m - 2/1 SL	1
-	<u>S362223D</u>	Non-rotating wire rope Ø 15	Lg 64,5 m - 1/1 SSL	1
-	<u>S362224E</u>	Non-rotating wire rope Ø 15	Lg 65,5 m - 2/1 SSL	1
-	<u>S262201J</u>	Preformed wire rope Ø 14	Lg 24,5 m - 2/1	1
-	<u>S262202K</u>	Preformed wire rope Ø 14	Lg 41 m - 4/1	1
-	<u>S262203L</u>	Preformed wire rope Ø 14	Lg 55 m - 4/1	1
-	<u>S262204N</u>	Preformed wire rope Ø 14	Lg 67,5 m - 4/1 S	1
-	<u>S362205J</u>	Preformed wire rope Ø 15	Lg 24,5 m - 2/1 N	1
-	<u>S362206K</u>	Preformed wire rope Ø 15	Lg 41 m - 4/1 L	1
-	<u>S362207L</u>	Preformed wire rope Ø 15	Lg 55 m - 4/1 SL	1
-	<u>S362208N</u>	Preformed wire rope Ø 15	Lg 67,5 m - 4/1 SSL	1
-	<u>S155B14L26.5T</u>	Preformed wire rope with rope fastener Ø 14	Lg 26,5 m	1
-	<u>S155B14L41T</u>	Preformed wire rope with rope fastener Ø 14	Lg 41 m	1
-	<u>S155B14L43T</u>	Preformed wire rope with rope fastener Ø 14	Lg 43 m	1

20) Electrical equipment

item	reference	description	observation	Quantity
-	7536311T	Auxiliary contact LA1D11	N1 à N3	1
-	1113007	Auxiliary contact LA1D20	7536314W	1
-	7536312U	Auxiliary contact LA1D22	«2F+2O»	1
-	7536411B	Auxiliary contact LA2D22		1
-	7536413D	Auxiliary contact LA3D22		1
-	7691142N	Bulb		1
-	13000260001	Connector for POK relay		1
-	7521113Y	Diode rectifier 40HA60		1
-	7578503D	Fuse 3AM HRC	6x23 3A GI	1
-	7571404N	Fuse 4A 14 x 51		1
-	7571302B	Fuse 5 x 20 2A		1
-	7571303C	Fuse 5 x 20 3A		1
-	7571304D	Fuse 5 x 20 4A		1
-	7571511D	Fuse 10 A14 x 51		1
-	7571514G	Fuse 16 A ACC 14 x 51		1
-	7571515H	Fuse 20 A 14 x 51		1
-	7571417B	Fuse 25A 14 x 51		1
-	7531122C	Interlocked contactors 400V/48V - LC2D129E	AK1-AK2 - Moteur / Motor P1-P2-P3-N1-N2	1
-	7531325Y	Interlocked contactors 400V/48V - LC2D259E	AK1-AK2 Moteur / Motor P5	1
-	7691133C	Lamp	48V	1
-	7535414T	Relay FINDER	48V	1
-	7535212Y	Relay POK 1 A		1
-	7522111H	Resistance 13,5 O		1
-	7522131E	Resistance 15 O		1
-	3633515A	Single Protection phase	380V	1
-	7511912X	Transformer 220/380 V 2 x 24 V (100 VA)		1
-	7513011S	Transformer 220/380 V 2 x 24 V (400 VA)		1
-	7513211J	Transformer	220-380V / 2x24V (630 VA)	1
-	1113029	Two speed selection contactor 400V/48V - LC1D258E	(7532324J) - AK4 - Moteur / Motor P4/P5	1
-	7531423E	Up and down contactor 400V/48V - LC2D403E	Moteur / Motor P7 - AK1-AK2	1