

Spare parts catalog for "BH 2 – Before 2022"

To avoid errors, when ordering please specify:

- Complete type of hoist
- Date of manufacture and serial number
- Spare part code
- Spare part designation
- Additional information



0.	HOIST DESCRIPTION	2
1.	FRAME	3
2.	BOGGIES SET.....	6
3.	HOOK BLOCK	8
3.1.	Hook block 2/1	9
3.2.	Hook block 3/1	12
3.3.	Hook block 4/1	15
4.	NORMAL HEADROOM TROLLEY (NHT)	18
4.1.	Right angle motor gearbox - To 2003	19
4.2.	TMU Motor	21
4.3.	Boggie - After 2003	23
5.	LIFTING MOTOR.....	25
6.	ELECTRICAL PARTS.....	27
6.1.	Electricals parts- Before June 2000	28
6.2.	Electrical parts - From June 2000 to June 2003	29
6.3.	Electricals parts- After June 2003	30
6.4.	Without electric device	31
6.5.	Part Boggie trolley – After June 2003	32
7.	BH EX – Special parts	33

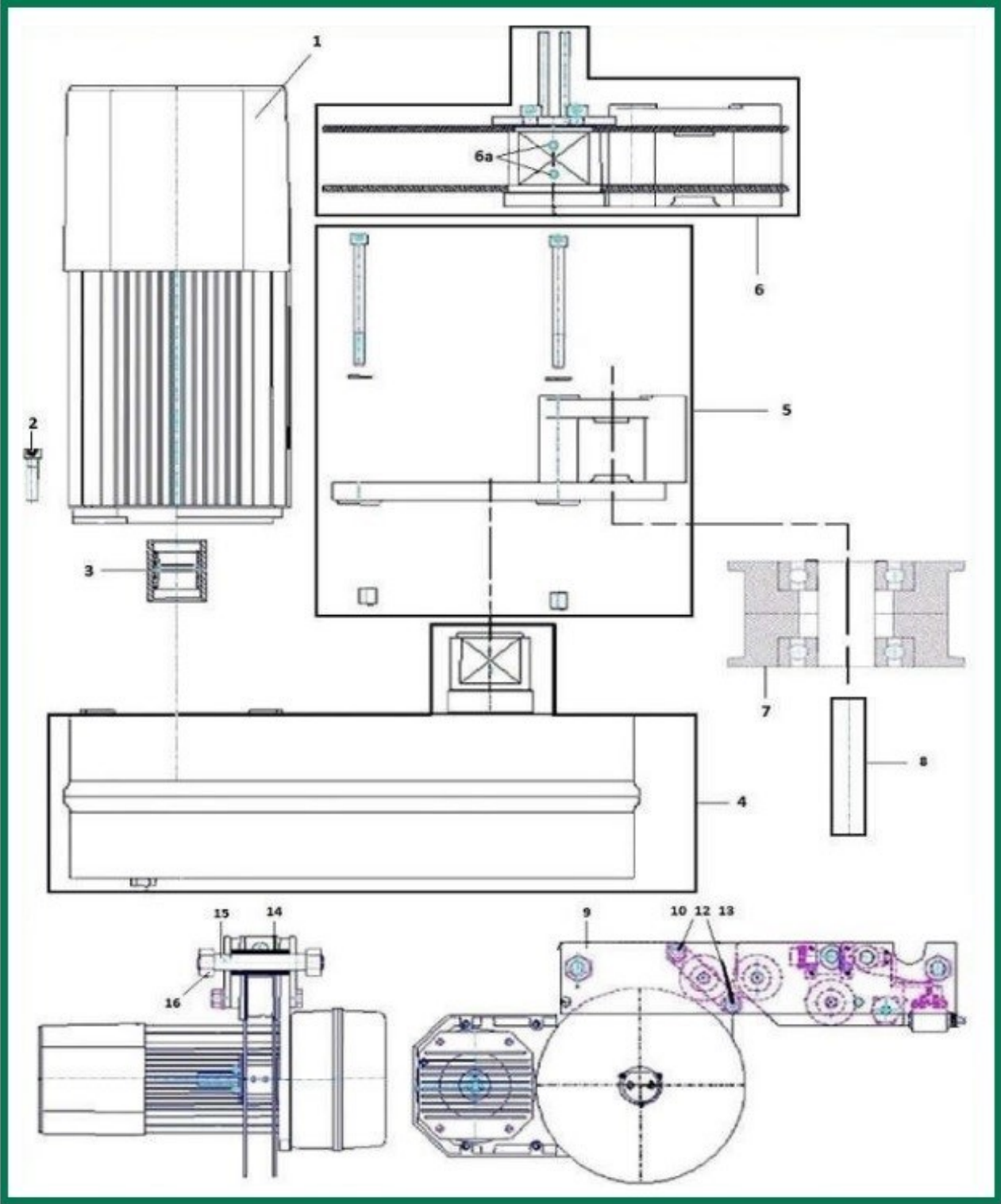
0. HOIST DESCRIPTION

Capacité de charge (kg) *	Classe F.E.M.	Modèle de palan	Nombre de brins	Hauteur de levée (m)	Vitesse de levée (m/min)	Observations
S.W.L. (kg) *	F.E.M. class	Hoist type	Number of falls	Height of lift (m)	Lifting speed (m/min)	
500	1Bm	BH2 02 R3	2	9	20 / 3.3	
	2m	BH2 03 R5	3	6	13 / 2	
630	2m	BH2 02 L5	2	9	10 / 1.6	
	1Am	BH2 03 R4	3	6	13 / 2	
800	1Am	BH2 02 L4	2	6	10 / 1.6	
	1Bm	BH2 03 R3	3	9	13 / 2	
1000	1Bm	BH2 02 L3	2	6	10 / 1.6	
	2m	BH2 03 L5	3	9	6.5 / 1	
1250	1Am	BH2 03 L4	3	6	6.5 / 1	
	2m	BH2 04 L5	4	4.50	5 / 0.8	
1600	1Bm	BH2 03 L3	3	6	6.5 / 1	
	1Am	BH2 04 L4	4	4.50	5 / 0.8	
2000	1Bm	BH2 04 L3	4	4.50	5 / 0.8	
4000	-	-	-	-	-	
5000	-	-	-	-	-	

* Pour charges supérieures : Nous consulter / For higher SWL : Consult us

Largeur de fer standard pour palan avec chariot : min 66 mm > max 400 mm / Beamwidth for hoist with trolley : min 66 mm > max 400 mm

1. FRAME



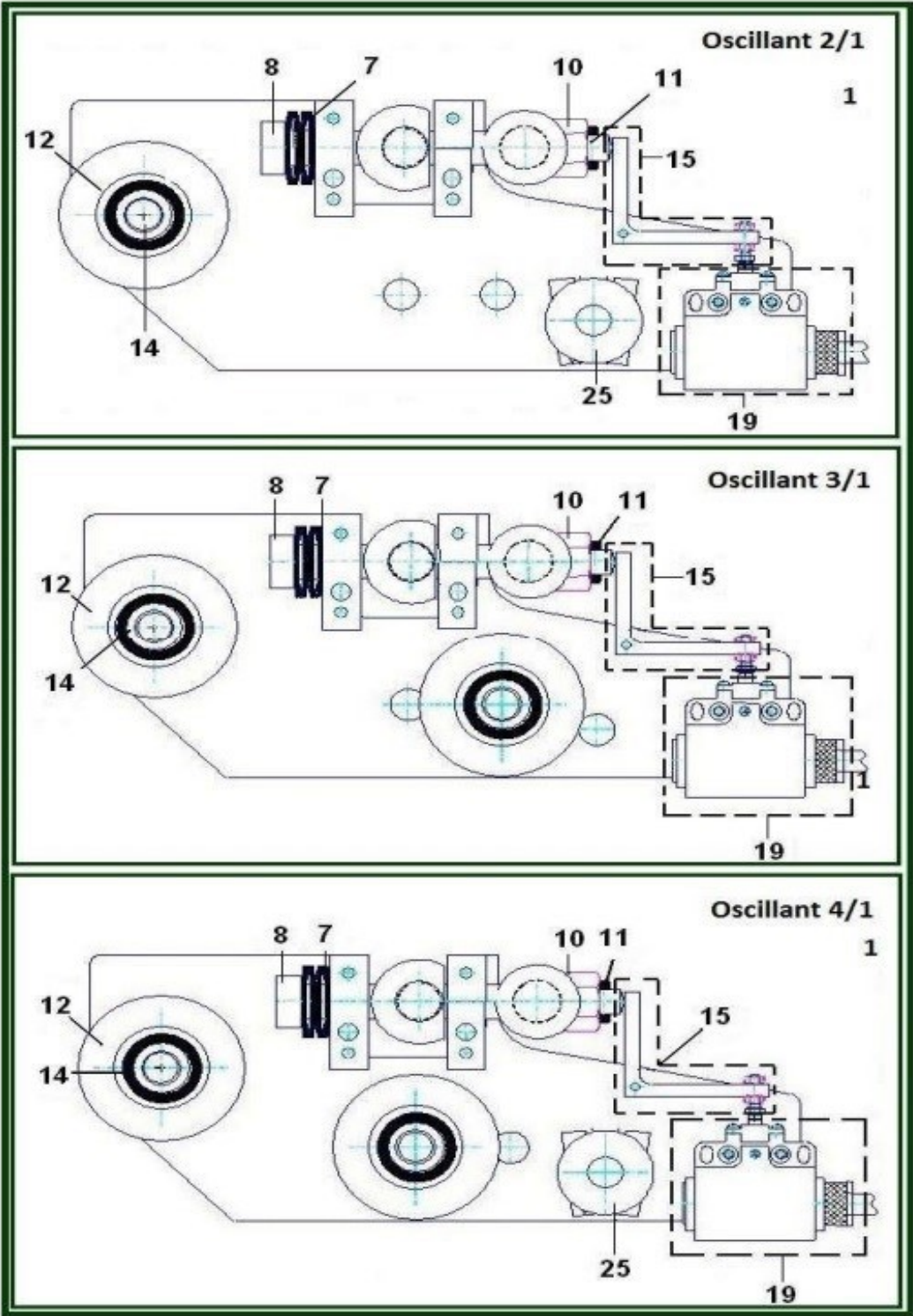
Frame

Item	Reference	Description	Observation	Quantity
1	1117002	Complete motor 1.9 / 0.3 kw 230V 50 Hz	N1 See Engine spare parts	1
1	52318267	Complete motor 1.9 / 0.3 kw 400V 50 Hz - 460V 60 Hz	N1 See Engine spare parts	1
1	1117003	Complete motor 1.9 / 0.3 kw 415V 50 Hz - 480V 60 Hz	N1 See Engine spare parts	1
2	830914	Screw CHC8x30	Tambour D (5) - Tambour E (7)	2
3	P1G0005	Coupling MF07/MF09Z/MF10Z/MF10M	N1 - N2 Until February 1996	1
4	14001504	Hoisting gear	20 m/min	1
4	14001503	Hoisting gear	40 m/min	1
5	11102510	Flange kit		1
6	12102506	Rope drum set	Stainless steel	1
6	12102505	Rope drum set	Standard	1
6a	12103501	Belt fixing set		1
7	11303506	Set of pulley with bearing	Stainless steel	1
7	11303505	Set of pulley with bearing	Standard	1
8	11315505	Pulley shaft		1
9	11125503	End plate	Stainless steel	2
9	11125502	End plate	Standard	2
10+12+13	831517	Nut - M16	PRC3 - C1	2
10+12+13	7232160V	Washer plate M16		2
10+12+13	830408	Screw HM 16 x 140		2
14	11118505	Spacer	Lg 69.5 mm	1
14	11118506	Spacer	Lg 86 mm	1
15	Consult us	Tie rod	See trolley	1
16	831540	Nut HM24	CE - XB	1
17	1101301	White belt	Lg 36m	1
17	53792274	Black belt + key	Lg 19m	1
17	53924862	Black belt + key	Lg 20m	1
17	53946103	Antistatic black belt	Lg 19 m - Replace 1101276	1
17	7303437U/19	Green belt	Lg 19 m - Width 36 - 2 & 3 falls	1

Frame

Item	Reference	Description	Observation	Quantity
17	<u>7303437U/20</u>	Green belt	Lg 20 m - Width 36 - 4 falls	1
	<u>53060077</u>	Precut green belt	Lg 24 m	1
	<u>52000941</u>	Breather	TCD3/8	1
	<u>14003501</u>	Sealing set		1
	<u>14003502</u>	Bearing set	Not supplied	1

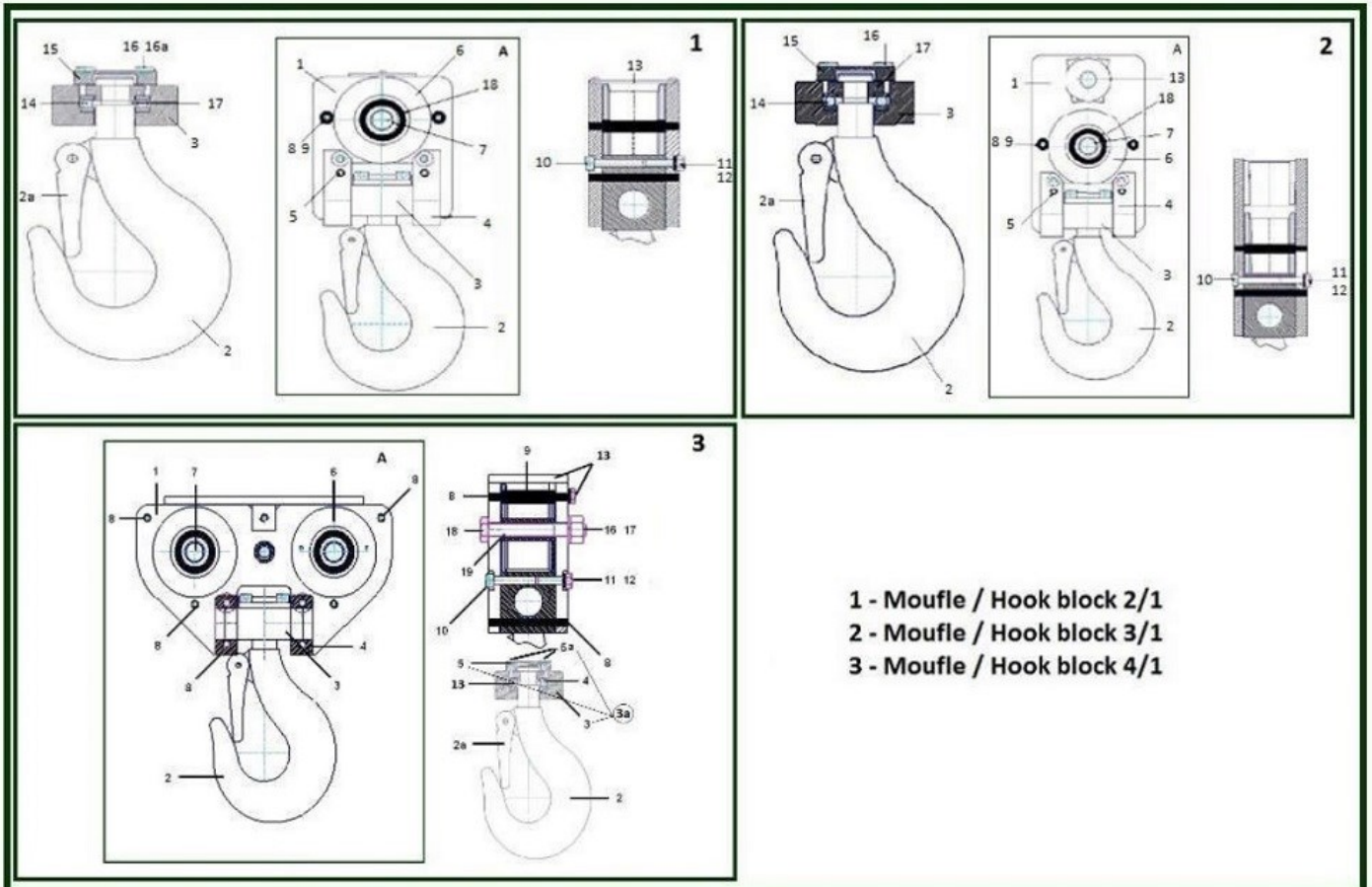
2. BOGGIES SET



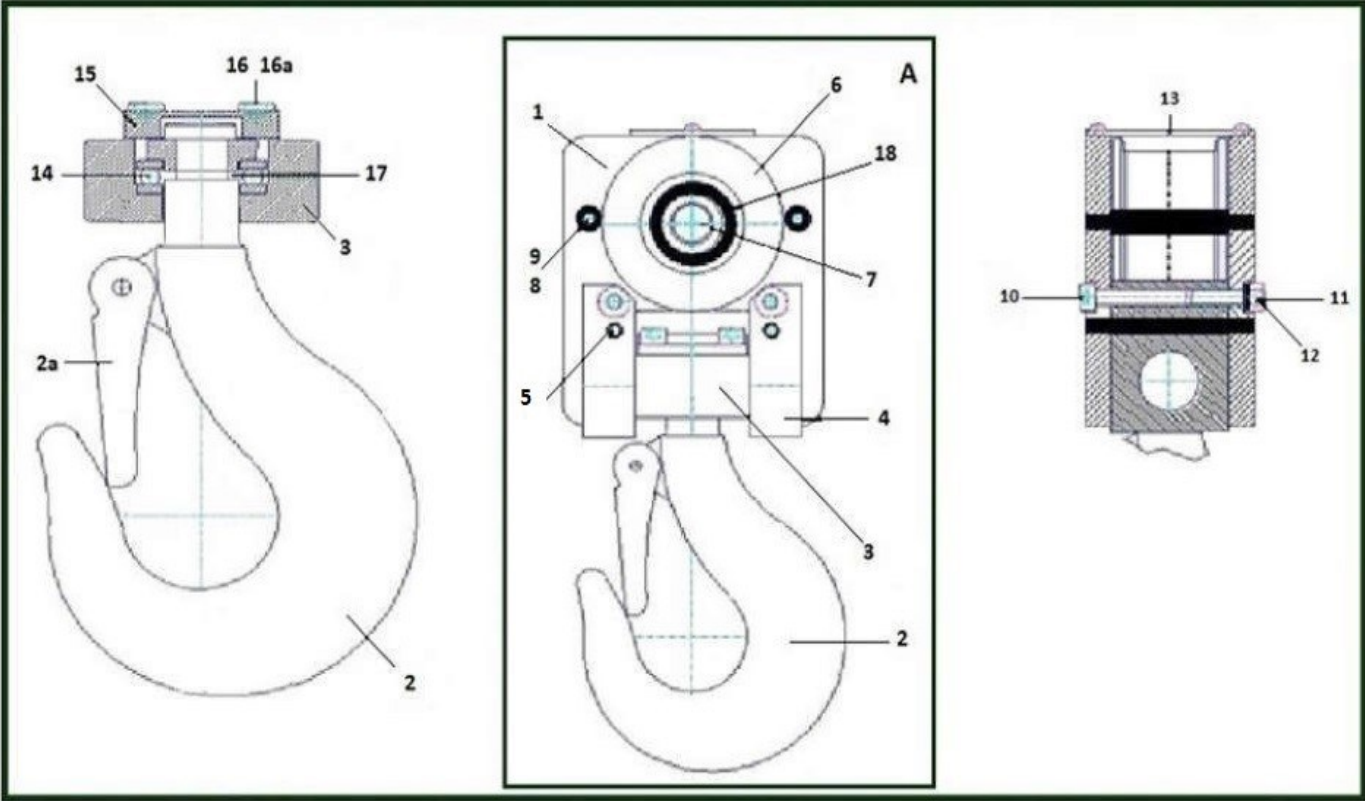
Boggies set

Item	Reference	Description	Observation	Quantity
1	11702505	Return system + overload limiter	2/1	1
1	11702506	Return system + overload limiter	3/1	1
1	11702507	Return system + overload limiter	4/1	1
1	11702508	Return system + overload limiter	2/1 - Galva	1
1	11702509	Return system + overload limiter	3/1 - Galva	1
1	11702510	Return system + overload limiter	4/1 - Galva	1
7	7239340Y	Disc spring		4
8	11716501	Support shaft		1
10	831517	Nut - M16	PRC3 - C1	1
11	7273154C	Mecanindus pin	4 x 20	1
12	11303506	Set of pulley with bearing	Stainless steel	1
12	11303505	Set of pulley with bearing	Standard	1
14	11715505	Shaft of pulley	Standard	1
15	11702511	Limit switch lever set		
19	11702512	Overload limiter set		1
25	52905976	Wedge socket set	Stainless steel - Only for black belt	1
25	11202506	Wedge socket set	Stainless steel Only for belt 7303437U-7303437U/19-7303437U/2053717077	1
25	11202505	Wedge socket set	Standard - For standard and anti-corrosion hoists with strap 53920884 and 1101276	1
	12133505	Key	Only for belt 7303437U-7303437U/19-7303437U/2053717077	1
	11717501	Self-lubricating ring		1
	52723164	Stainless steel key	Only for belt 1101301 et 1101276	1

3. HOOK BLOCK



3.1. Hook block 2/1



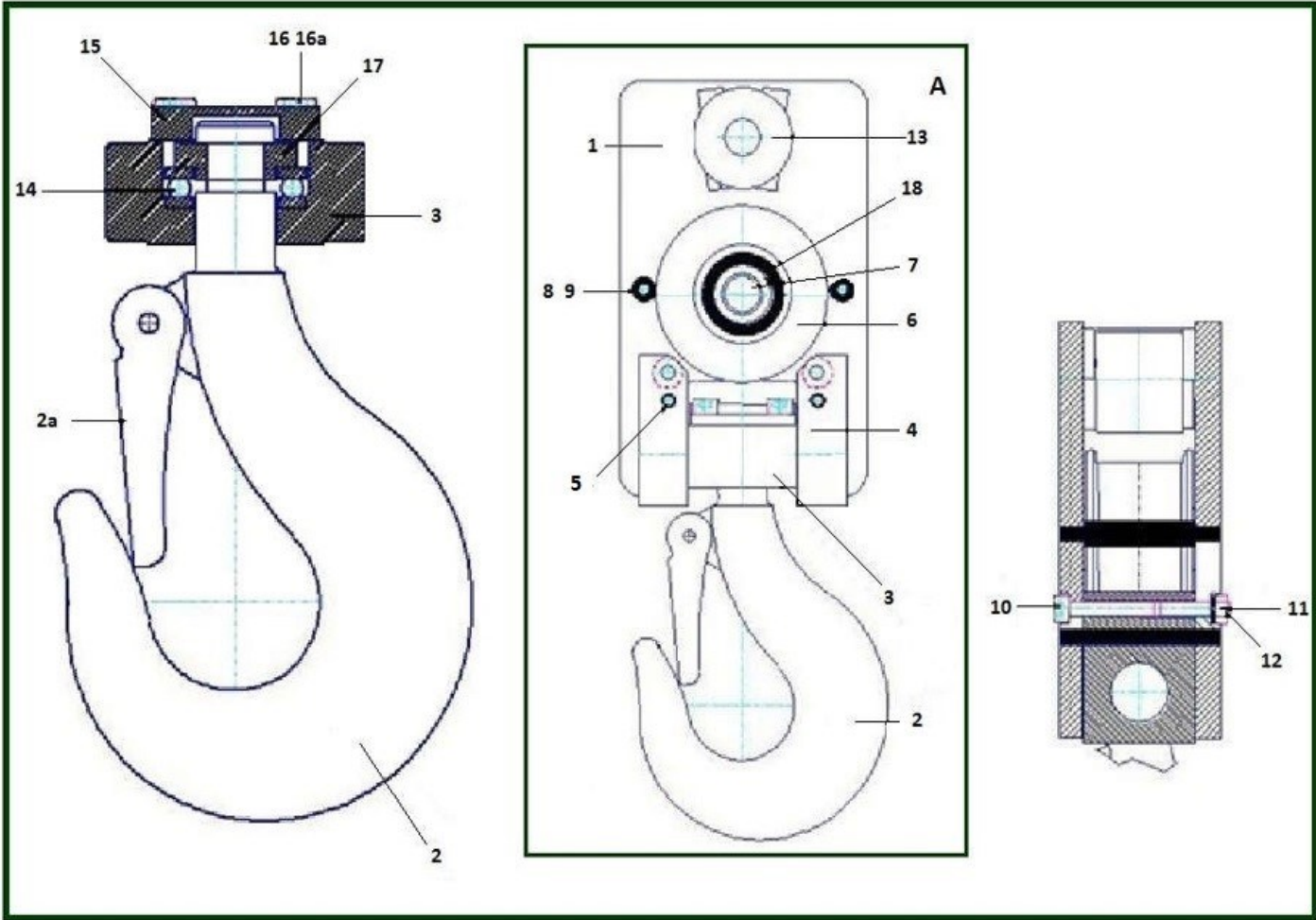
Hook block 2/1

Item	Reference	Description	Observation	Quantity
1	13225502	Flange	Stainless steel	2
1	13225501	Flange	Standard	2
2	13213002	Hook 0.5T - Stainless steel	Maximum load : 4/1 Only =>1249 Kg	1
2	13213001	Hook 0.5T - Standard	Maximum load : 4/1=>2000 Kg 3/1=>1249 Kg 2/1=>1000 Kg	1
2a	13233002	Safety latch	Stainless steel	1
2a	13233001	Safety latch	Standard	1
3	13231002	Hook support	Stainless steel	1
3	13231001	Hook support	Standard	1
4	13231506	Sleeve support	Stainless steel	2
4	13231505	Sleeve support	Standard	2
5+8	7274356J	Pin 6 x 60	Stainless steel	4
5+8	7273362D	Pin 6x60	Standard	2
6	11303506	Set of pulley with bearing	Stainless steel	1
6	11303505	Set of pulley with bearing	Standard	1
7	11715505	Shaft of pulley	Standard	1
7	11715506	Pulley shaft	Stainless steel	1
9	13418508	Sleeve	Stainless steel	2
9	13418506	Sleeve	Standard	2
10	7211307C	Screw CHC 6x65	Stainless steel	2
10	830928	Screw CHC 6x65	Standard	2
11	7221069P	Screw M6	Stainless steel	2
11	831501	Screw M6	Standard	2
12	7232069V	Washer M6	Stainless steel	2
13	13201508	Protection plate	Stainless steel	1
13	13201507	Protection plate	Standard	1
14	7431049C	Ball bearing	Stainless steel	1
14	7431041U	Ball bearing	Standard	1
15	13234004	Bearing cover	Stainless steel	1
15	13234003	Bearing cover	Standard	1
16	7211302X	Screw HM 6 x 20	Stainless steel	4
16	7211354D	Screw HM 6 x 20	Standard	4
16a	7232060K	Washer M6	Standard	4

Hook block 2/1

Item	Reference	Description	Observation	Quantity
17	<u>13217002</u>	Half ring	Stainless steel	1
17	<u>13217001</u>	Half ring	Standard	1
18	<u>7151712A</u>	Washer	Stainless steel	2
18	<u>7459249E</u>	Washer	Standard	2
A	<u>13201506</u>	Hook block 2/1	Stainless steel	1
A	<u>13201505</u>	Hook block 2/1	Standard	1

3.2. Hook block 3/1



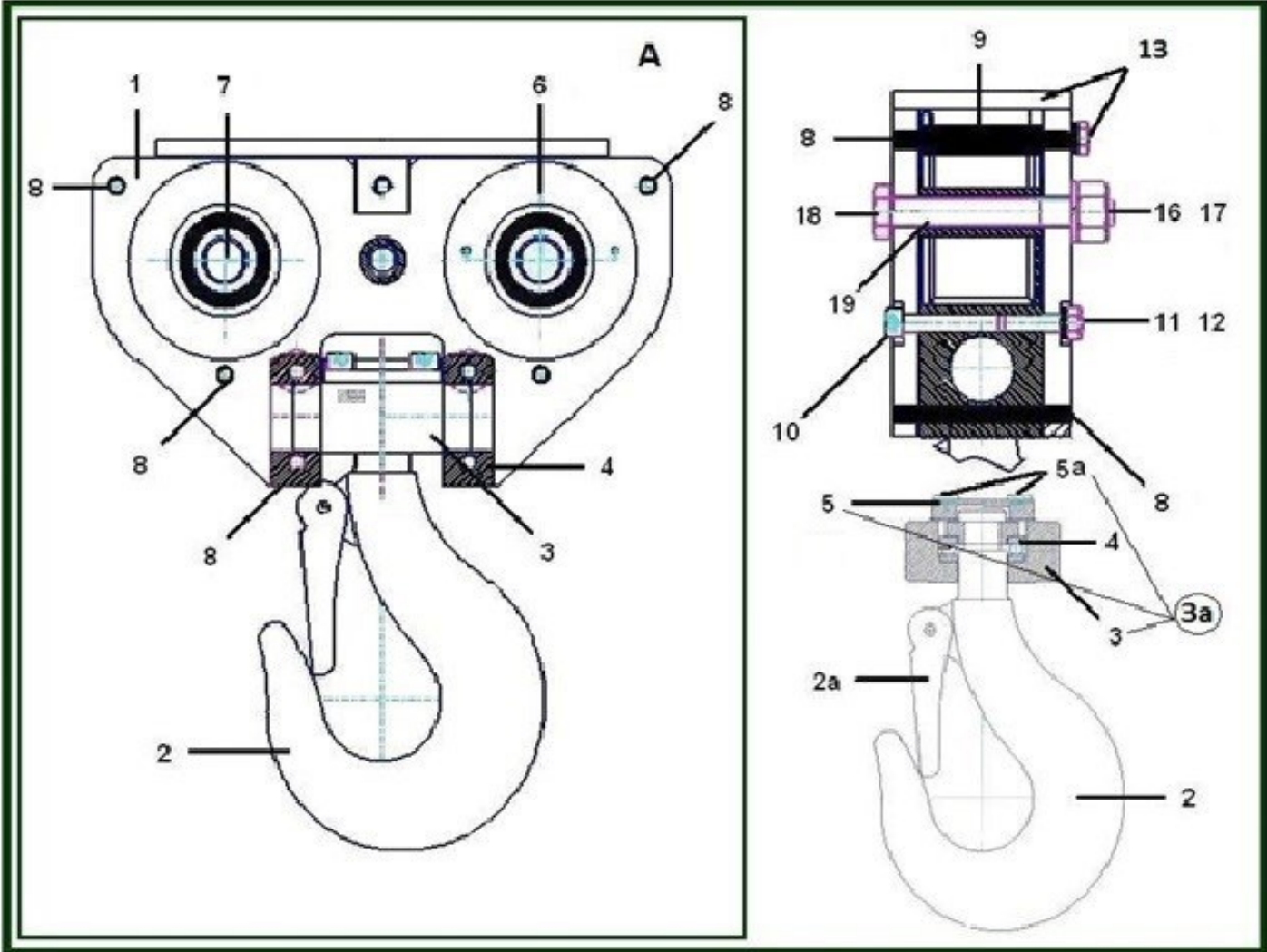
Hook block 3/1

Item	Reference	Description	Observation	
1	13325502	Flange	Stainless steel	2
1	13325501	Flange	Standard	2
2	13213002	Hook 0.5T - Stainless steel	Maximum load : 4/1 only =>1249 Kg	1
2	13213001	Hook 0.5T - Standard	Maximum load : 4/1=>2000 Kg 3/1=>1249 Kg 2/1=>1000 Kg	1
2a	13233002	Safety latch	Stainless steel	1
2a	13233001	Safety latch	Standard	1
3	13231002	Hook support	Stainless steel	1
3	13231001	Hook support	Standard	1
4	13231506	Sleeve support	Stainless steel	2
4	13231505	Sleeve support	Standard	2
5 & 8	7274356J	Pin 6x60	Stainless steel	4
5 & 8	7273362D	Pin 6x60	Standard	2
6	11303506	Set of pulley with bearing	Stainless steel	1
6	11303505	Set of pulley with bearing	Standard	1
7	11715505	Shaft of pulley	Standard	1
7	11715506	Pulley shaft	Stainless steel	1
9	13418508	Sleeve	Stainless steel	1
9	13418506	Sleeve	Standard	1
10	7211307C	Screw CHC 6x65	Stainless steel	1
10	830928	Screw CHC 6x65	Standard	1
11	7221069P	Screw M6	Stainless steel	1
11	831501	Screw M6	Standard	1
13	11233506	Axe de point fixe	Stainless steel	1
13	11233505	Axe de point fixe	Standard	1
13a	12133505	Key	Only for belt7303437U-7303437U/19-7303437U/2053717077	1
14	7431049C	Ball bearing	Stainless steel	1
14	7431041U	Ball bearing	Standard	1

Hook block 3/1

Item	Reference	Description	Observation	Quantity
15	<u>13234004</u>	Bearing cover	Stainless steel	1
15	<u>13234003</u>	Bearing cover	Standard	1
16	<u>7211302X</u>	Screw HM 6 x 20	Stainless steel	1
16	<u>7211354D</u>	Screw HM 6 x 20	Standard	1
16a	<u>7232069V</u>	Washer M6	Stainless steel	1
16a	<u>7232060K</u>	Washer M6	Standard	1
17	<u>13217002</u>	Half ring	Stainless steel	1
17	<u>13217001</u>	Half ring	Standard	1
18	<u>7151712A</u>	Washer	Stainless steel	1
18	<u>7459249E</u>	Washer	Standard	1
A	<u>13301506</u>	Hook block 2/1-3/1 - Stainless steel	Maximum load : 1249 Kg	1
A	<u>13301505</u>	Hook block 2/1-3/1 - Standard	Maximum load : 2000 Kg	1

3.3. Hook block 4/1



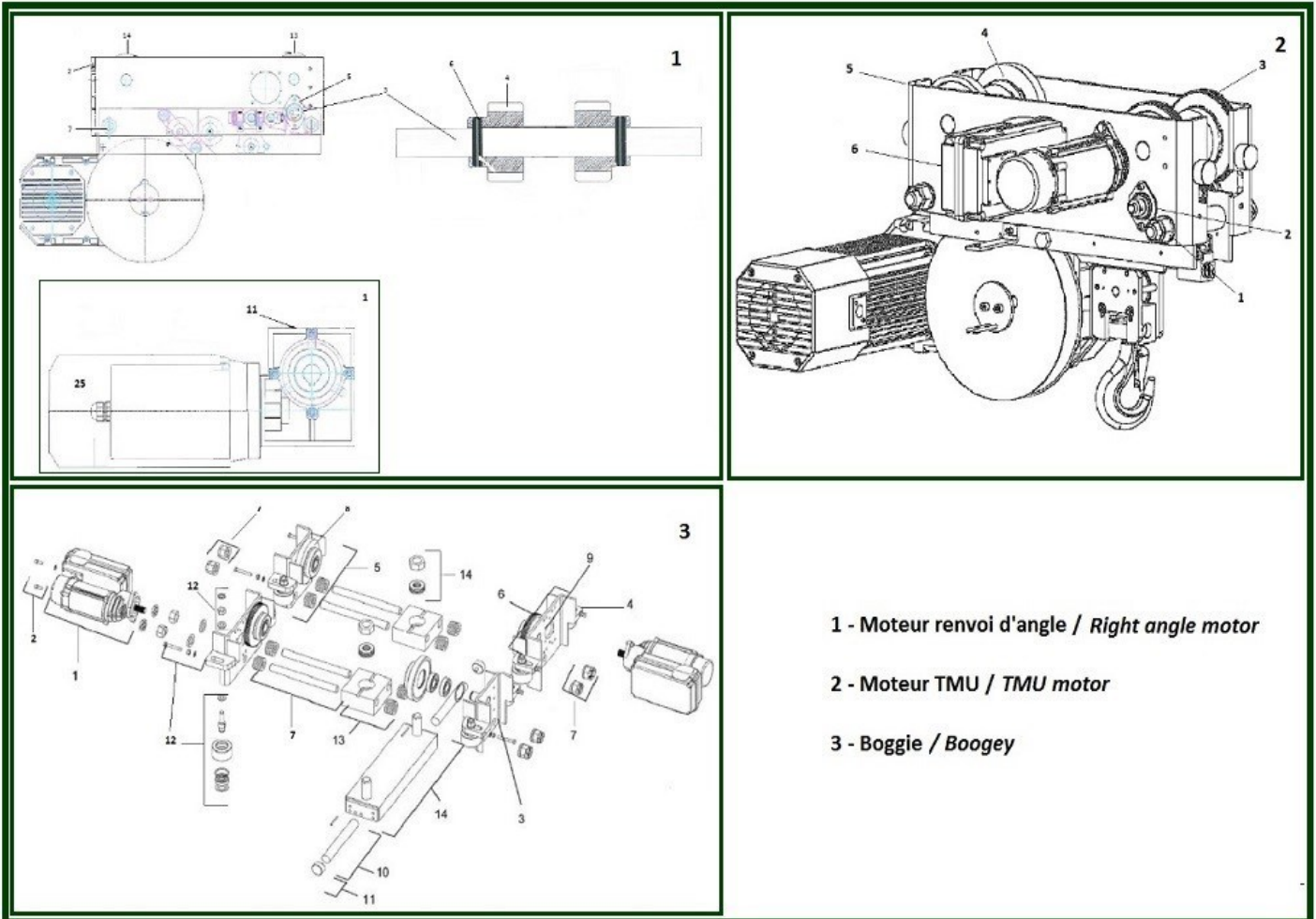
Hook block 4/1

Item	Reference	Description	Observation	Quantity
1	13425502	Flange 4/1	Stainless steel	2
1	13425501	Flange 4/1	Standard	2
2	13213002	Hook 0.5T - Stainless steel	Maximum load : 4/1 only =>1249 Kg	1
2	13213001	Hook 0.5T - Standard	Maximum load : 4/1=>2000 Kg 3/1=>1249 Kg 2/1=>1000 Kg	1
2a	13233002	Safety latch	Stainless steel	1
2a	13233001	Safety latch	Standard	1
3	13211001	Hook support	Standard	1
3a	53499468	Cover set	Stainless steel	1
4	13217002	Half ring	Stainless steel	1
4	13217001	Half ring	Standard	1
5	13234003	Bearing cover	Standard	1
5a	7211354D	Screw HM 6 x 20	Standard	1
6	11303506	Set of pulley with bearing	Stainless steel	1
6	11303505	Set of pulley with bearing	Standard	1
7	11715505	Shaft of pulley	Standard	1
7	11715506	Pulley shaft	Stainless steel	1
8	7274356J	Pin 6x60	Stainless steel	1
8	7273362D	Pin 6x60	Standard	1
9	13418507	Tube	Stainless steel	1
9	13418505	Tube	Standard	1
10	7211307C	Screw CHC 6x65	Stainless steel	1
10	830928	Screw CHC 6x65	Standard	1
11	7232069V	Washer M6	Stainless steel	1
11	7232060K	Washer M6	Standard	1
12	7221069P	Screw M6	Stainless steel	1
12	831501	Screw M6	Standard	1
13	13401508	Protection plate	Stainless steel	1
13	13401507	Protection plate	Standard	1
14	7431049C	Ball bearing	Stainless steel	1
14	7431041U	Ball bearing	Standard	1
16	831507	Nut M10	1 AM - 2M/3M	1
16	7221109G	Nut M10	Stainless steel	1
17	7232100D	Grower washer M10	Standard - Automatic brake DIN12	1
17	7232109G	Grower washer M10	Stainless steel	1

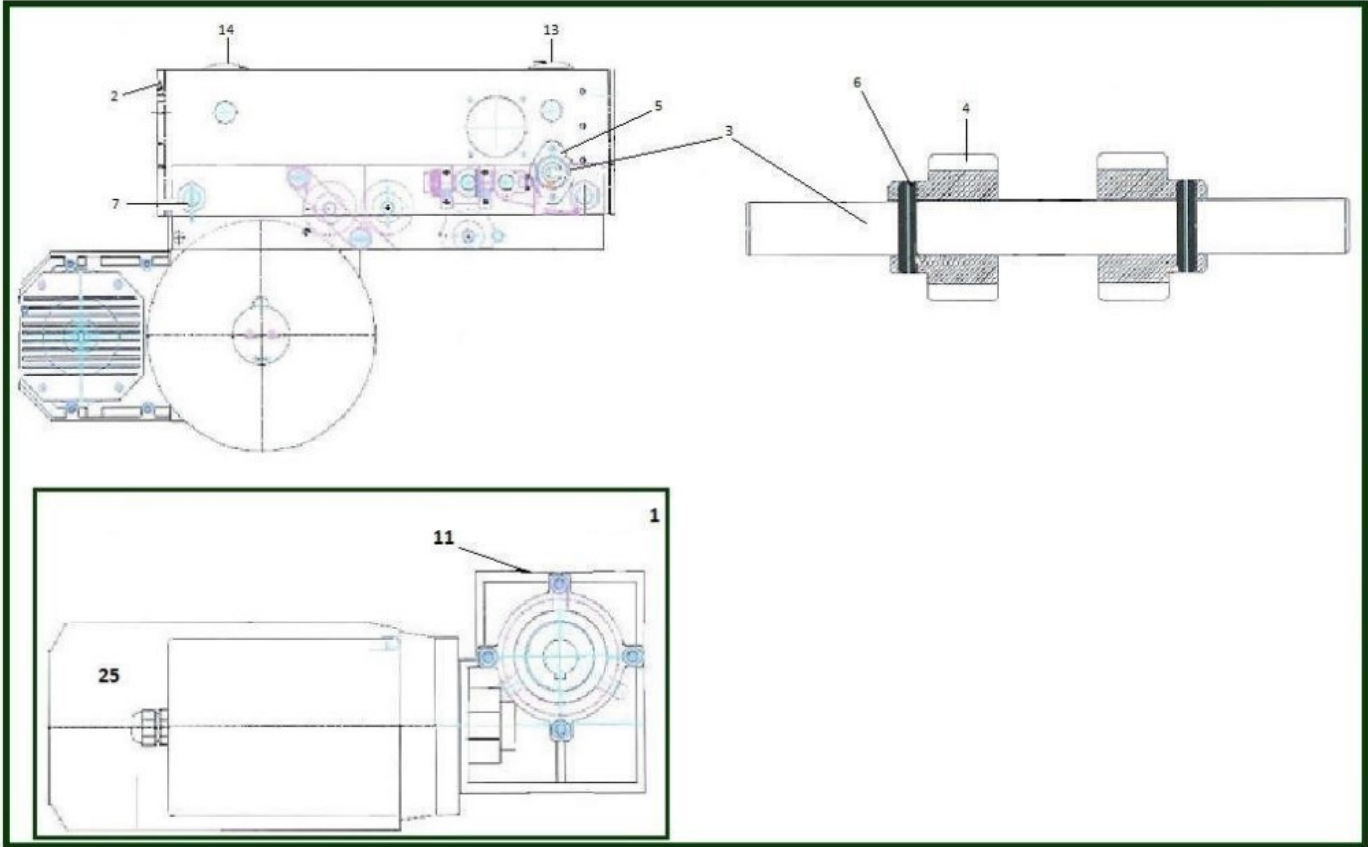
Hook block 4/1

Item	Reference	Description	Observation	Quantity
18	<u>7211508W</u>	Screw HM 10x80	Stainless steel	1
18	<u>830334</u>	Screw HM 10x80	Standard	1
19	<u>13418508</u>	Sleeve	Stainless steel	1
19	<u>13418506</u>	Sleeve	Standard	1
A	<u>13401506</u>	Complete hook block 4/1 Stainless steel	Maximum load : 1249 Kg	1
A	<u>13401505</u>	Complete hook block 4/1 Standard	Maximum load : 2000 Kg	1

4. NORMAL HEADROOM TROLLEY (NHT)



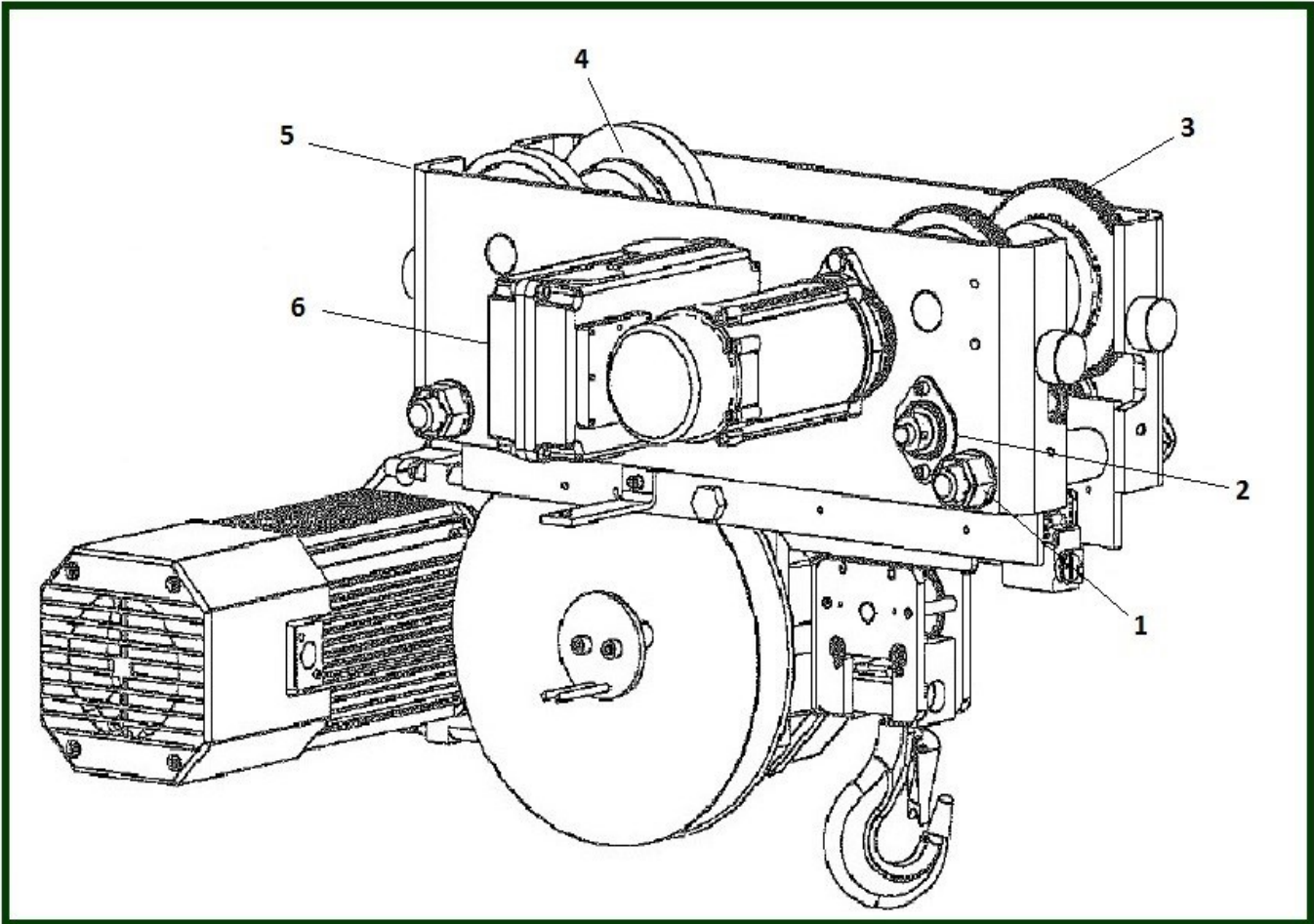
4.1. Right angle motor gearbox - To 2003



Right angle motor gearbox - To 2003

Item	Reference	Description	Observation	Quantity
1	<u>7365413J</u>	Complete motor gearbox	10/2.5 m/mn - 220V 380V	1
1	<u>7365445U</u>	Complete motor gearbox	20/5 m/min - 220V 380V	1
1	<u>7365945N</u>	Complete motor gearbox	20/5 m/min - 415V	1
2	<u>15001501</u>	Complete side plate		1
3	<u>15015005</u>	Drive shaft	Lg : 446 mm	1
4	<u>15020001</u>	Drive pinion	18 teeth	2
5	<u>15003003</u>	Bearing support + screw		1
5	<u>15001514</u>	Bearing support + screw		1
6	<u>7273255N</u>	Pin		2
7	<u>15002511</u>	Tie rod set	66 to 82 mm	1
7	<u>15002512</u>	Tie rod set	90 mm	1
7	<u>15002514</u>	Tie rod set	119 to 137 mm	1
7	<u>15002515</u>	Tie rod set	143 to 185 mm	1
7	<u>15002516</u>	Tie rod set	190 to 220 mm	1
7	<u>15002513</u>	Tie rod set		1
11	<u>7360200T</u>	Right angle gearbox	10/2.5 m/min 1/20	1
11	<u>7360100J</u>	Right angle gearbox	20/5 m/min 1/10	1
13	<u>15001004</u>	Ungeared complete wheel	Without axle - Ø 100 - Model 89	1
14	<u>15001005</u>	Geared complete wheel	Without axle - Ø 100 - Model 89	1
25	<u>7351454L</u>	Motor	220/380 volts 2 speeds 0.25/0.06 Kw	1
26	<u>558979</u>	Fan cover- LS71	C1-C2-C3	1
27	<u>990996</u>	Dual speeds brake FMC15	96V	1
27	<u>990997</u>	One speed brake FMC15	190V	1
28	<u>15020503</u>	Drive pinion	13 teeth	1
29	<u>12602501</u>	Limit switch module	1 step	1

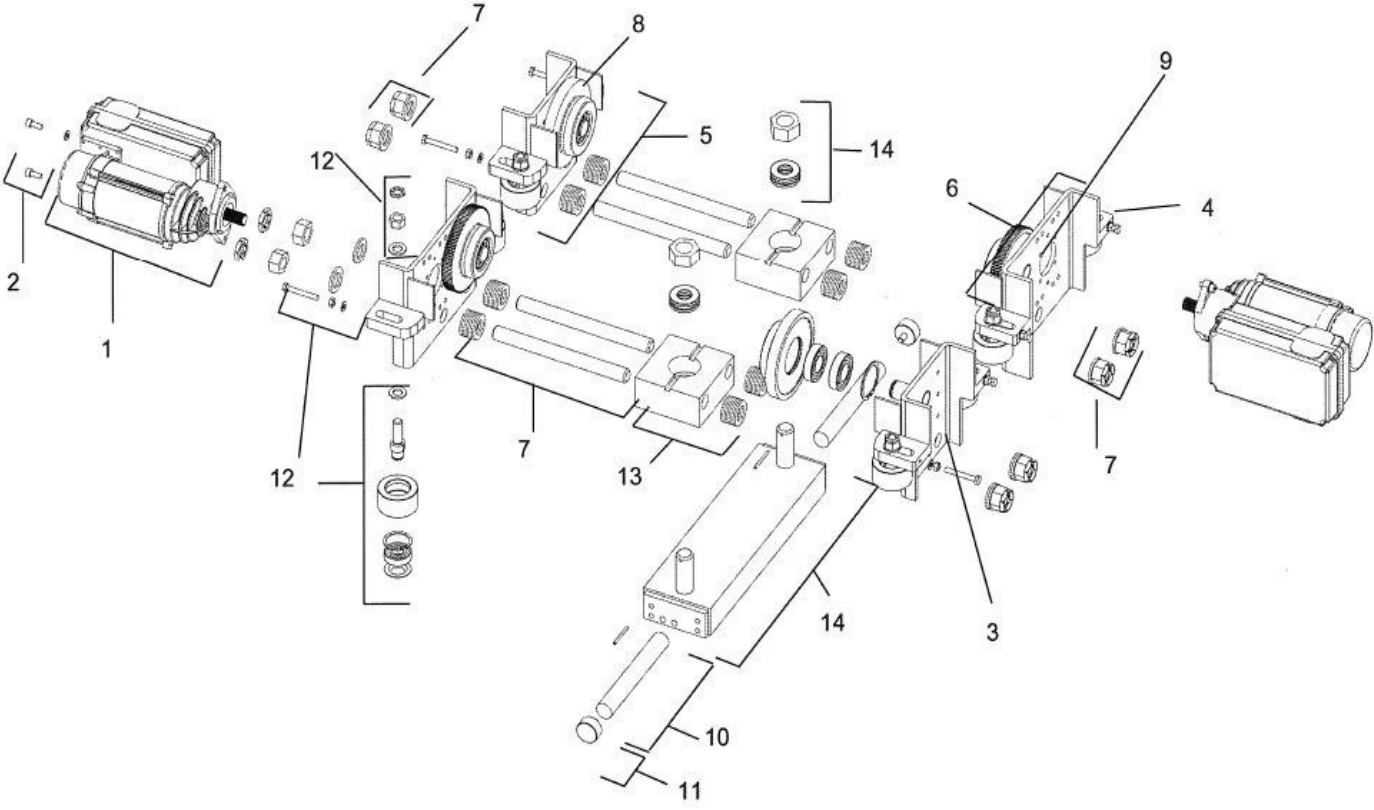
4.2. TMU Motor



Trolley NHT – Motor TMU

Item	Reference	Description	Observation	Quantity
1	15002511	Tie rod set	66 to 82 mm	1
1	15002512	Tie rod set	90 mm	1
1	15002514	Tie rod set	119 to 137 mm	1
1	15002515	Tie rod set	143 to 185 mm	1
1	15002516	Tie rod set	190 to 220 mm	1
1	15002513	Tie rod set		1
2	15003003	Bearing support + screw		1
2	15001514	Bearing support + screw + pinon		1
3	558929	Complete travel wheel - 99 teeth	C3 - Ø 100x150 mm - Standard	1
3	52759595	Complete travel wheel - 99 teeth	Ø 100x150-Stainless steel	1
4	52759594	Travel wheel idler without shaft	100x150-Stainless steel	1
4	558928	Travel wheel idler without shaft	C3 - Ø 100x150 mm - Standard	1
5	52309741	Side plate - Driving		1
5	52309742	Side plate - Idle	Standard	1
6	52304882	Motor TMU2 400V/48V-0,3Kw	From 1001 Kg to 5000 Kg	1
	52299947	Pinion		2

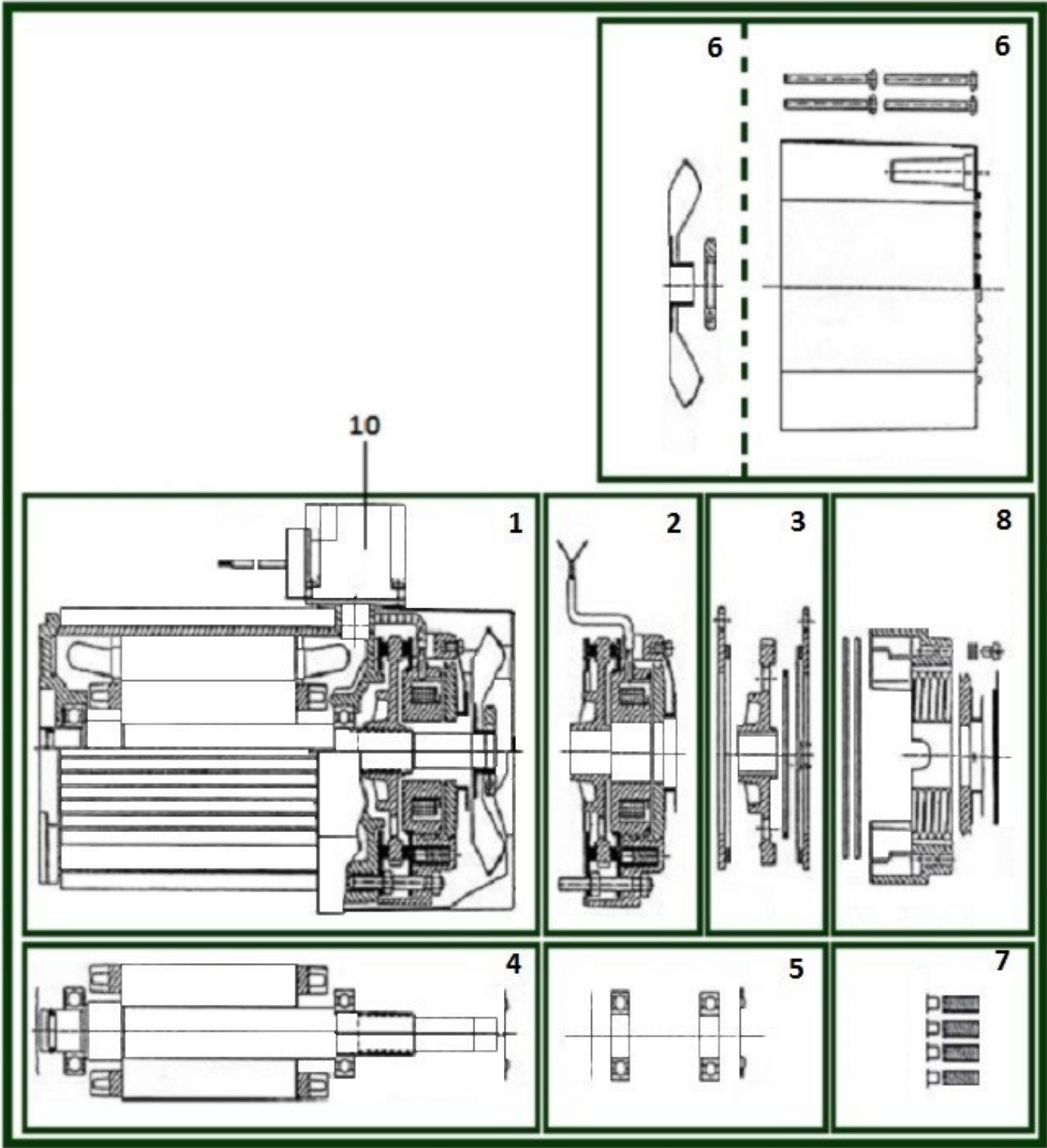
4.3. Boggie - After 2003



Trolley NHT – Boggie after 2003

Item	Reference	Description	Observation	Quantity
1	52304882	Motor TMU2 400V/48V-0,3Kw	From 1001 Kg to 5000 Kg	2
1	52304881	Motor TMU2 400V/115V	From 1001 Kg to 5000 Kg	2
2	52311193	Motor fixing set (screw + washer)		4
3	52299591	Idle flange + axle	TMU	2
4	52299593	Driving flange + axle	TMU	2
5	52299598	Idle flange set		2
6	52299599	Motor flange set		2
7	556966	Tie rod 66 to 110 mm		1
7	556967	Tie rod 113 to 170 m		1
7	556968	Tie rod 178 to 240 mm		1
7	556969	Tie rod 248 to 310 mm		1
8	558928	Travel wheel idler without shaft	C3 - Ø 100x150 mm - Standard	2
9	558929	Complete travel wheel - 99 teeth	C3 - Ø 100x150 mm - Standard	2
10	556962	Buffer extension		2
11	558993	Buffer		2
12	4501211W	Guiding wheel set		8
13	5502103X	Cross bar only		2
14	5522102V	Traverse to pivot		1
15	52306470	Cubicle		1

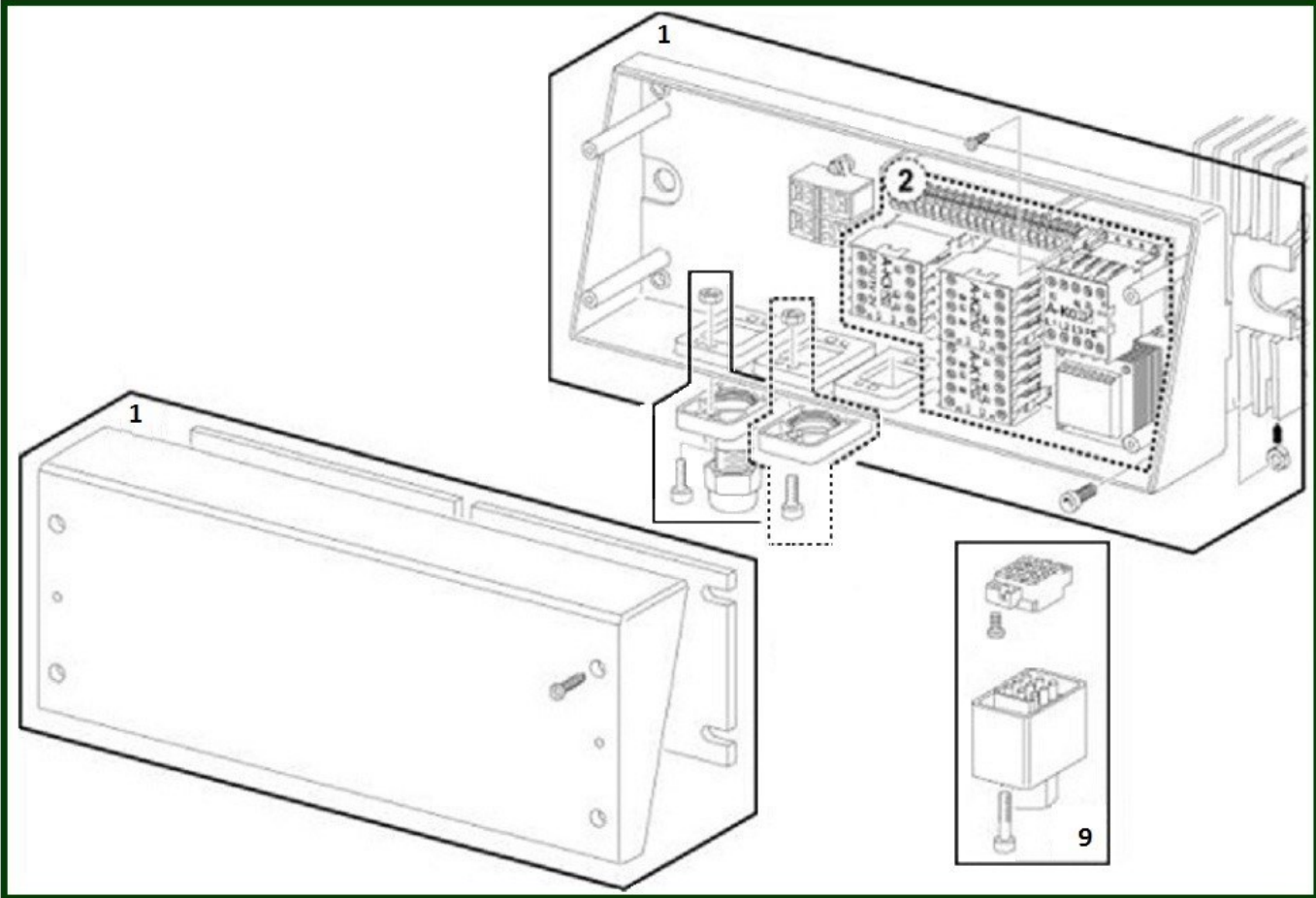
5. LIFTING MOTOR



Lifting motor

Item	Reference	Description	Observation	Quantity
1	<u>1117002</u>	Complete motor 1.9 / 0.3 kw 230V 50 Hz	N1 See Engine spare parts	1
1	<u>52318267</u>	Complete motor 1.9 / 0.3 kw 400V 50 Hz - 460V 60 Hz	N1 See Engine spare parts	1
1	<u>1117003</u>	Motor complet1.9 / 0.3 kw 415V 50 Hz - 480V 60 Hz	N1 See Engine spare parts	1
2	<u>11170214</u>	Complete brake	Mot 660 to 690V	1
2	<u>11170215</u>	Complete brake - 100V	Mot 200 to 240V	1
2	<u>11170212</u>	Complete brake - 190V	Mot 346 to 480V	1
2	<u>11170213</u>	Complete brake - 220 V	Mot 500 to 600V	1
3	<u>11171031</u>	Brake repairing set	N1 - N2	1
4	Consult us	Rotor	N1	1
5	<u>11171051</u>	Bearing set	N1 - N2	1
6	<u>11171061</u>	Fan and cover	N1	1
7	<u>11171071</u>	Brake springs	N1	1
8	<u>11171081</u>	Automatic adjusting repairing set	N1 - N2	1
10	<u>1113070</u>	Motor box	N1	1
11	<u>11171151</u>	End plate + seal	N1	1
12	<u>11171161</u>	End plate + seal	N1	1
	<u>P1G0005</u>	Coupling	N1 - N2 MF07/MF09Z/MF10Z/MF10M To February 1996	1
	<u>11170157</u>	Brake coil 100V & brake repair kit	No supplied	1
	<u>11170156</u>	Brake coil 190V & brake repair kit	No supplied	1
	<u>1115062</u>	Rectifier for brake REC12 For main voltage 20V to 690V	N1 – Motor P1 to P5	1

6. ELECTRICAL PARTS



6.1. Electricals parts- Before June 2000

Item	Reference	Description	Observation	Quantity
1	<u>7611123K</u>	Cover		1
1	<u>7611122J</u>	Electric cubicle		1
1	<u>7791300E</u>	Cover seal		1
2	<u>834086</u>	Electric board - 2HS+2CT+ES	400V/48V	1
3	<u>7541514Y</u>	Hoisting limit switch		1
4	<u>12502502</u>	Hoisting limit switch shaft set		1
5	<u>1113043</u>	Motor protector - 48V	MSL 48C - AF11	1
	<u>834490</u>	Push button 2HS+2CT+ES		1

6.2. Electrical parts - From June 2000 to June 2003

Item	Reference	Description	Observation	Quantity
1	<u>7611123K</u>	Cover		1
1	<u>7611122J</u>	Electric cubicle		1
1	<u>7791300E</u>	Cover seal		1
2	<u>2213004</u>	PC board 2HS+ON/OFF	400V/48V	1
3	<u>7541514Y</u>	Hoisting limit switch		1
4	<u>12502502</u>	Hoisting limit switch shaft set		1
5	<u>1113043</u>	Motor protector - 48V	MSL 48C - AF11	1
6	<u>1123046</u>	Limit switch trolley travelling	2 steps	1
6	<u>7541312D</u>	Limit switch	C1-C2-C3 1 step	1
7	<u>12602501</u>	Limit switch module	1 step	1
7	<u>12602503</u>	Limit switch module	2 steps	1
8	<u>2133033</u>	CI board - 2 CS - MAC2	MAC - Since 06/2000	1
	<u>834490</u>	Push button 2HS+2CT+ES		1

6.3. Electricals parts- After June 2003

Item	Reference	Description	Observation	Quantity
1	<u>7611123K</u>	Cover		1
1	<u>7611122J</u>	Electric cubicle		1
1	<u>7791300E</u>	Cover seal		1
2	<u>2213004</u>	PC BOARD 2VL+AU	400V/48V	1
3	<u>52388759</u>	Cubicle set 2HS+2CS+ES	230V/48V	1
3	<u>52381346</u>	Cubicle set 2HS+2CS+ES	400V/48V	1
4	<u>7541514Y</u>	Hoisting limit switch	Lift height : 32 m	1
5	<u>12502502</u>	Hoisting limit switch shaft set		1
6	<u>1113043</u>	Motor protector	MSL 48C - AF11	1
7	<u>1123046</u>	Limit switch trolley travelling	2 steps	1
7	<u>7541312D</u>	Limit switch trolley travelling	C1-C2-C3 1 step	1
8	<u>12602501</u>	Limit switch module	1 step	1
8	<u>12602503</u>	Limit switch module	2 steps	1
9	<u>2249945</u>	Plug set - 13 pins - male + female	Standard X23 - X22	1
9	<u>2249946</u>	Connector pin male - Plug set for trolley	Standard - TDU	1
	<u>834490</u>	Push button 2HS+2CT+ES		1

6.4. Without electric device

Item	Reference	Description	Observation	Quantity
1	<u>7611123K</u>	Cover		1
1	<u>7611122J</u>	Electric cubicle		1
1	<u>7791300E</u>	Cover seal		1
2	<u>1115062</u>	Rectifier REC12 for main voltage 230V to 690V	N1 - Motor P1 to P5	1
3	<u>12302503</u>	Cubicle set		1
4	<u>7541514Y</u>	Hoisting limit switch		1
5	<u>12502502</u>	Hoisting limit switch shaft set		1
6	<u>1113043</u>	Motor protector	MSL 48C - AF11	1
7	<u>1123046</u>	Limit switch trolley travelling	2 steps	1
7	<u>7541312D</u>	Limit switch trolley travelling	C1-C2-C3 1 step	1

7. BH EX – Special parts

Explosive ambiance

Item	Reference	Description	Observation	Quantity
	<u>1101398</u>	Limit switch trigger	BH EX	1
	<u>1103184</u>	Hoisting limit switch	BH EX	1