

Spare parts catalogue "BH2 - From 2022"

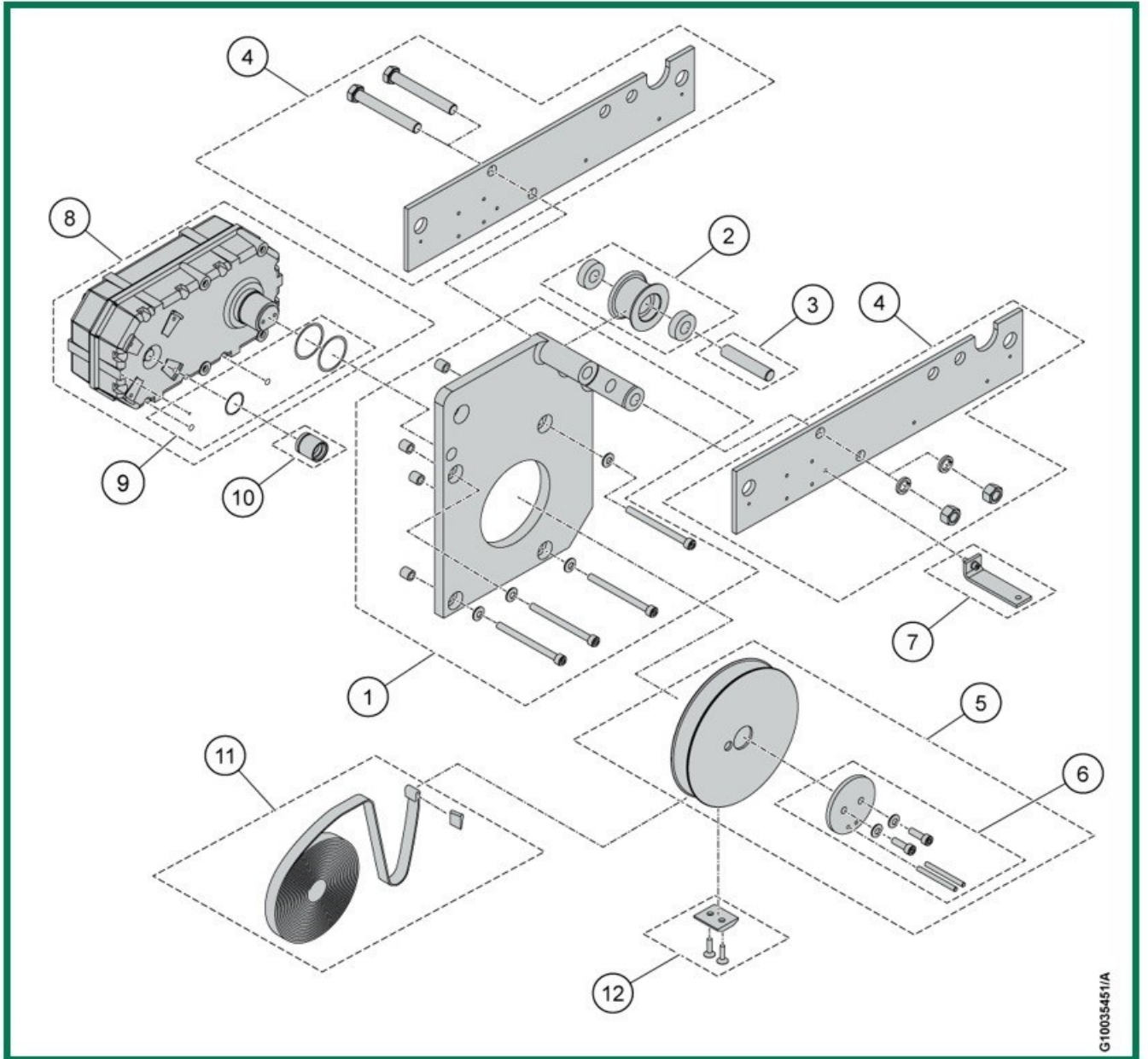
To avoid errors, when ordering please specify:

- Complete type of hoist
- Date of manufacture and serial number
- Spare part code
- Spare part designation
- Additional information



1.	FRAME	2
2.	OVERLOAD DEVICE	4
3.	HOOK BLOCK	6
3.1.	Hook block 2/1	7
3.2.	Hook block 3/1	9
3.3.	Hook block 4/1	11
4.	NORMAL HEADROOM TROLLEY	13
4.1.	TMU Motor	13
5.	TMU - VARIATION	15
6.	LIFTING MOTOR	17
7.	ELECTRICAL PARTS	19
8.	PUSH BUTTONS	21
8.1.	2 buttons	22
8.2.	4 buttons	24

1. FRAME



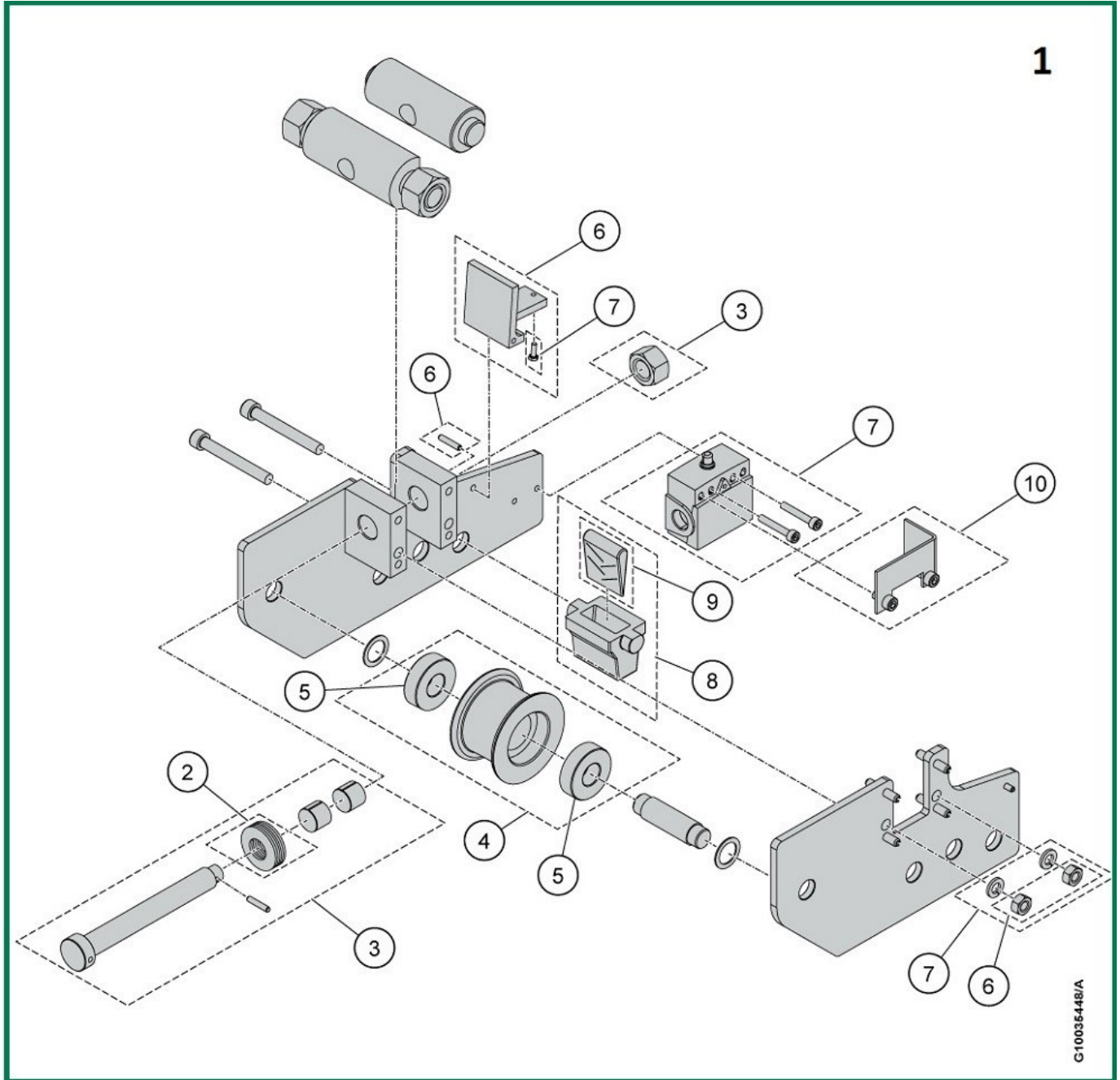
G10035451/A

Frame

Item	Reference	Description	Observation	Quantity
1	<u>VT0009719</u>	Gear box support		1
1	<u>VT0009720</u>	Gear box support	Standard	1
2	<u>VT0009722</u>	Sheaves set with deep groove ball bearing	Stainless steel	1
2	<u>VT0009721</u>	Sheaves set with deep groove ball bearing	Standard	1
3	<u>VT0009723</u>	Pulley shaft		1
4	<u>VT0009724</u>	End plate set	Stainless steel	1
4	<u>VT0009725</u>	End plate set	Standard	1
5	<u>VT0009726</u>	Rope drum set	Stainless steel	1
5	<u>VT0009727</u>	Rope drum set	Standard	1
6	<u>VT0009728</u>	Limit switch activator	Stainless steel	1
6	<u>VT0009729</u>	Limit switch activator	Standard	1
7	<u>VT0015796</u>	Support	Stainless steel	1
7	<u>VT0015795</u>	Support	Standard	1
8	<u>VT0018463</u>	Hoisting gear	20 m/min	1
8	<u>VT0018462</u>	Hoisting gear	40m/min	1
9	<u>VT0018461</u>	Gear sealing set		1
10	<u>VT0010136</u>	Coupling	VS1 N1	1
11	<u>VT0009713</u>	White belt + key	Length 19m	1
11	<u>VT0009712</u>	Black belt + key	Length 19m	1
11	<u>VT0009715</u>	Antistatic black belt +key	Length 19m	1
12	<u>VT0018464</u>	Belt fixing set		1

2. OVERLOAD DEVICE

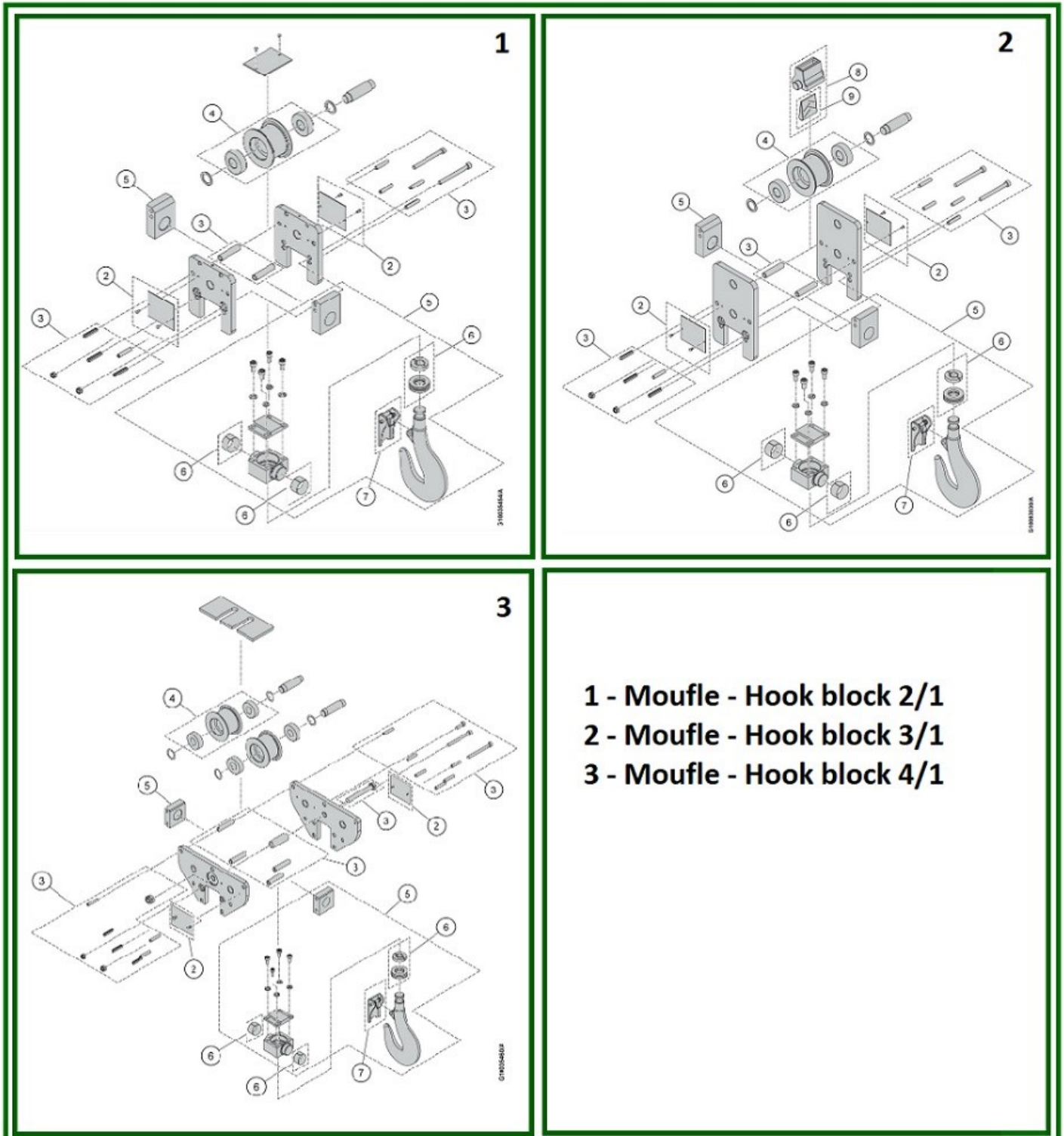
2/1 - 3/1 - 4/1



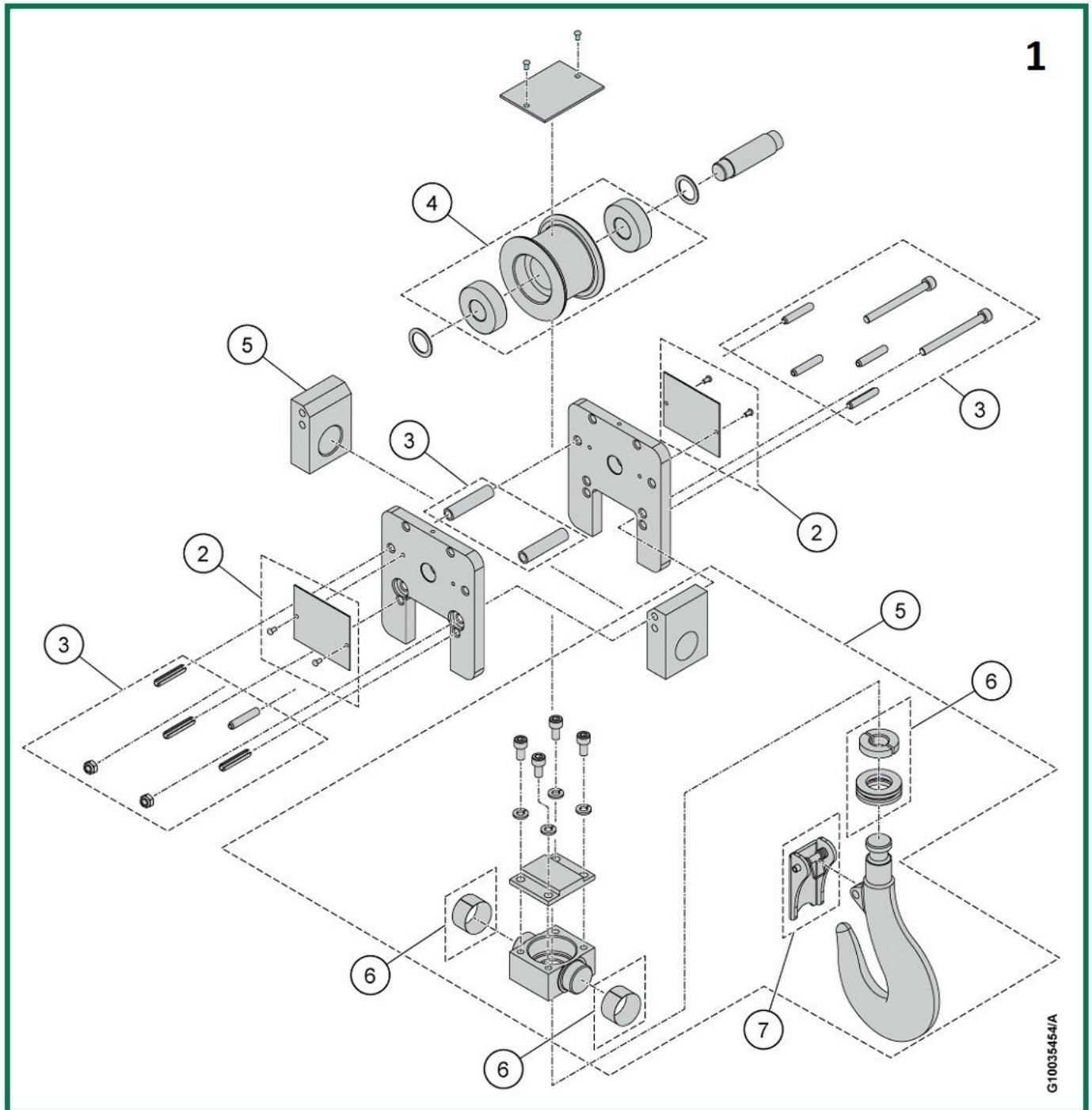
Overload device

Item	Reference	Description	Observation	Quantity
1	VT0009735	Return system + overload limiter	2/1	1
1	VT0009736	Return system + overload limiter	3/1	1
1	VT0009737	Return system + overload limiter	4/1	1
1	VT0009740	Return system + overload limiter	Stainless steel	1
1	VT0009739	Return system + overload limiter	Stainless steel	1
1	VT0009738	Return system + overload limiter	Stainless steel	1
2	VT0019261	Disc spring		1
3	VT0012916	Axle set		1
4	VT0009722	Sheaves set with deep groove ball bearing	Stainless steel	1
4	VT0009721	Sheaves set with deep groove ball bearing	Standard	1
5	VT0015781	Bearing set	Stainless steel	1
5	VT0015782	Bearing set	Standard	1
6	VT0009745	Limit switch lever set		1
7	VT0009746	Overload limiter set		1
8	VT0015783	Wedge socket set - Stainless steel	Only for ALL black belt or green belt (Thickness 3,3 mm)	1
8	VT0009747	Wedge socket set - Stainless steel	Only for white belt / Antistatic (thickness 4,5 mm)	1
9	VT0009748	Wedge socket set - Stainless steel	Only for ALL black belt or green belt (Thickness 3,3 mm)	1
9	VT0015784	Wedge socket set - Stainless steel	Only for white belt / Antistatic (thickness 4,5 mm)	1
10	VT0015785	Cover plate		1

3. HOOK BLOCK



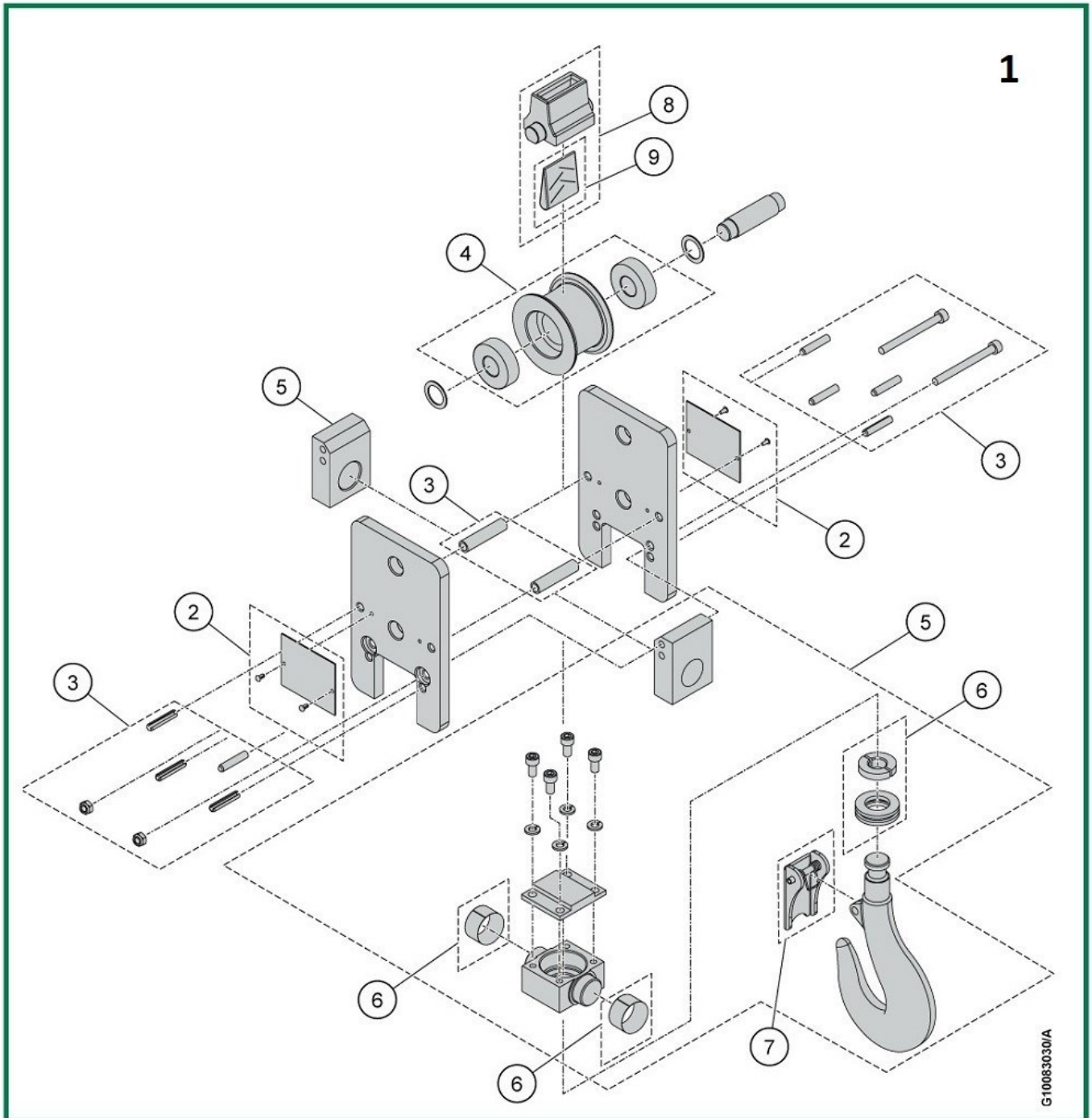
3.1. Hook block 2/1



Hook block 2/1

Item	Reference	Description	Observation	Quantity
1	<u>VT0009750</u>	Complete hook block 2/1	Stainless steel	1
1	<u>VT0009751</u>	Complete hook block 2/1	Standard	1
2	<u>VT0015786</u>	Load Plate	0.5 TON	1
2	<u>VT0015788</u>	Load Plate	0.8 TON	1
2	<u>VT0015787</u>	Load Plate	0.63 TON	1
2	<u>VT0015789</u>	Load Plate	1 TON	1
3	<u>VT0015797</u>	Screw set	Stainless steel	1
3	<u>VT0015798</u>	Screw set	Standard	1
4	<u>VT0009722</u>	Sheaves set with deep groove ball bearing	Stainless steel	1
4	<u>VT0009721</u>	Sheaves set with deep groove ball bearing	Standard	1
5	<u>VT0018502</u>	Hook set	Standard	1
6	<u>VT0018501</u>	Hook bearing set	Standard	1
7	<u>VT0018542</u>	Safety latch	Stainless steel	1
7	<u>VT0018541</u>	Safety latch	Standard	1

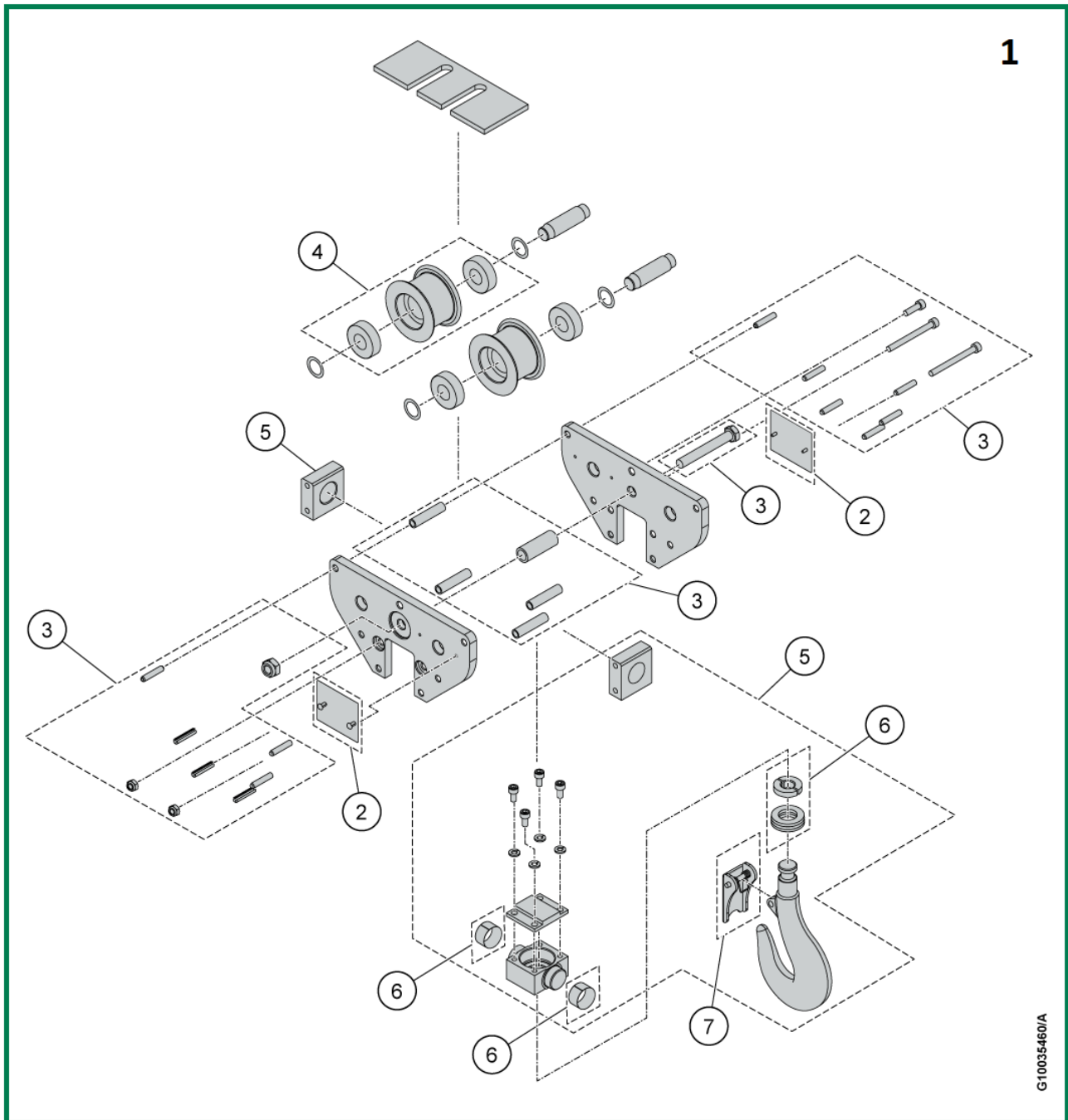
3.2. Hook block 3/1



Hook block 3/1

Item	Reference	Description	Observation	Quantity
1	<u>VT0009784</u>	Complete hook block 3/1	Stainless steel Maximum load : 1249 Kg	1
1	<u>VT0009785</u>	Complete hook block 3/1	Standard Maximum load : 1999 Kg	1
2	<u>VT0015788</u>	Load Plate	0.8 TON	1
2	<u>VT0015791</u>	Load Plate	1.6 TON	1
2	<u>VT0015790</u>	Load Plate	1.25 TON	1
2	<u>VT0015789</u>	Load Plate	1 TON	1
3	<u>VT0015797</u>	Screw set	Stainless steel	1
3	<u>VT0015798</u>	Screw set	Standard	1
4	<u>VT0009722</u>	Sheaves set with deep groove ball bearing	Stainless steel	1
4	<u>VT0009721</u>	Sheaves set with deep groove ball bearing	Standard	1
5	<u>VT0018502</u>	Hook set	Standard	1
6	<u>VT0018501</u>	Hook bearing set	Standard	1
7	<u>VT0018542</u>	Safety latch	Stainless steel	1
7	<u>VT0018541</u>	Safety latch	Standard	1
8	<u>VT0015783</u>	Wedge socket set	Stainless steel Only for ALL black belt or green belt (Thickness 3,3 mm)	1
8	<u>VT0009747</u>	Wedge socket set	Stainless steel Only for white belt / antistatic (Thickness 4,5 mm)	1
9	<u>VT0009748</u>	Wedge	Stainless steel Only for ALL black belt or green belt (Thickness 3,3 mm)	1
9	<u>VT0015784</u>	Wedge	Stainless steel / Antistatic (Thickness 4,5 mm)	1

3.3. Hook block 4/1



G10035460/A

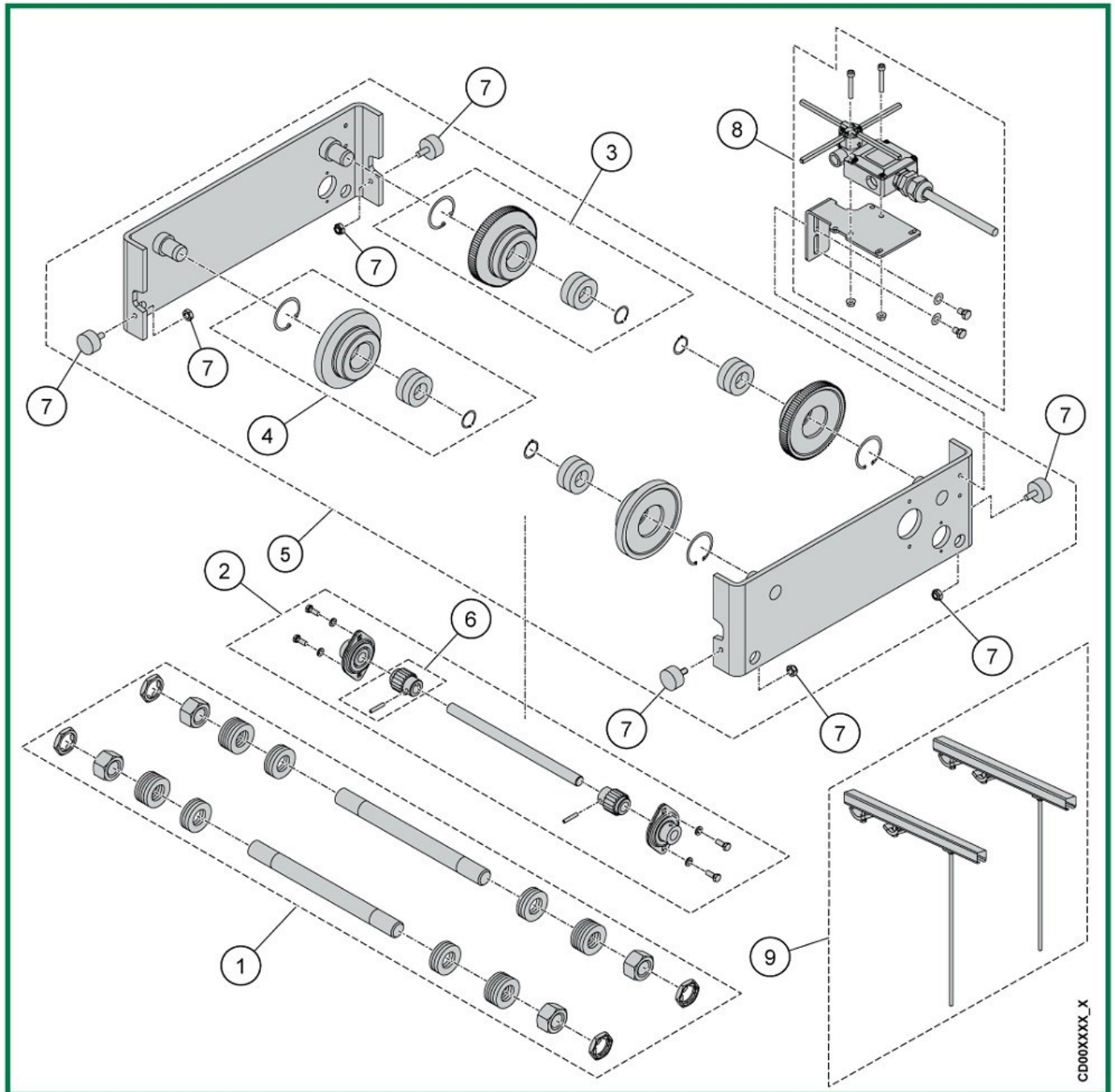
Hook block 4/1

Item	Reference	Description	Observation	Quantity
1	<u>VT0009789</u>	Complete hook block 4/1	Stainless steel Maximum load : 1249 Kg	1
1	<u>VT0009790</u>	Complete hook block 4/1	Standard Maximum load : 1999 Kg	1
2	<u>VT0015791</u>	Load Plate	1.6 TON	1
2	<u>VT0015790</u>	Load Plate	1.25 TON	1
2	<u>VT0015792</u>	Load Plate	2 TON	1
3	<u>VT0015807</u>	Screw set	Stainless steel	1
3	<u>VT0015808</u>	Screw set	Standard	1
4	<u>VT0009722</u>	Sheaves set with deep groove ball bearing	Stainless steel	2
4	<u>VT0009721</u>	Sheaves set with deep groove ball bearing	Standard	2
5	<u>VT0019241</u>	Hook set	Standard	1
6	<u>VT0018501</u>	Hook bearing set	Standard	1
7	<u>VT0018542</u>	Safety latch	Stainless steel	1
7	<u>VT0018541</u>	Safety latch	Standard	1

4. NORMAL HEADROOM TROLLEY

NHT

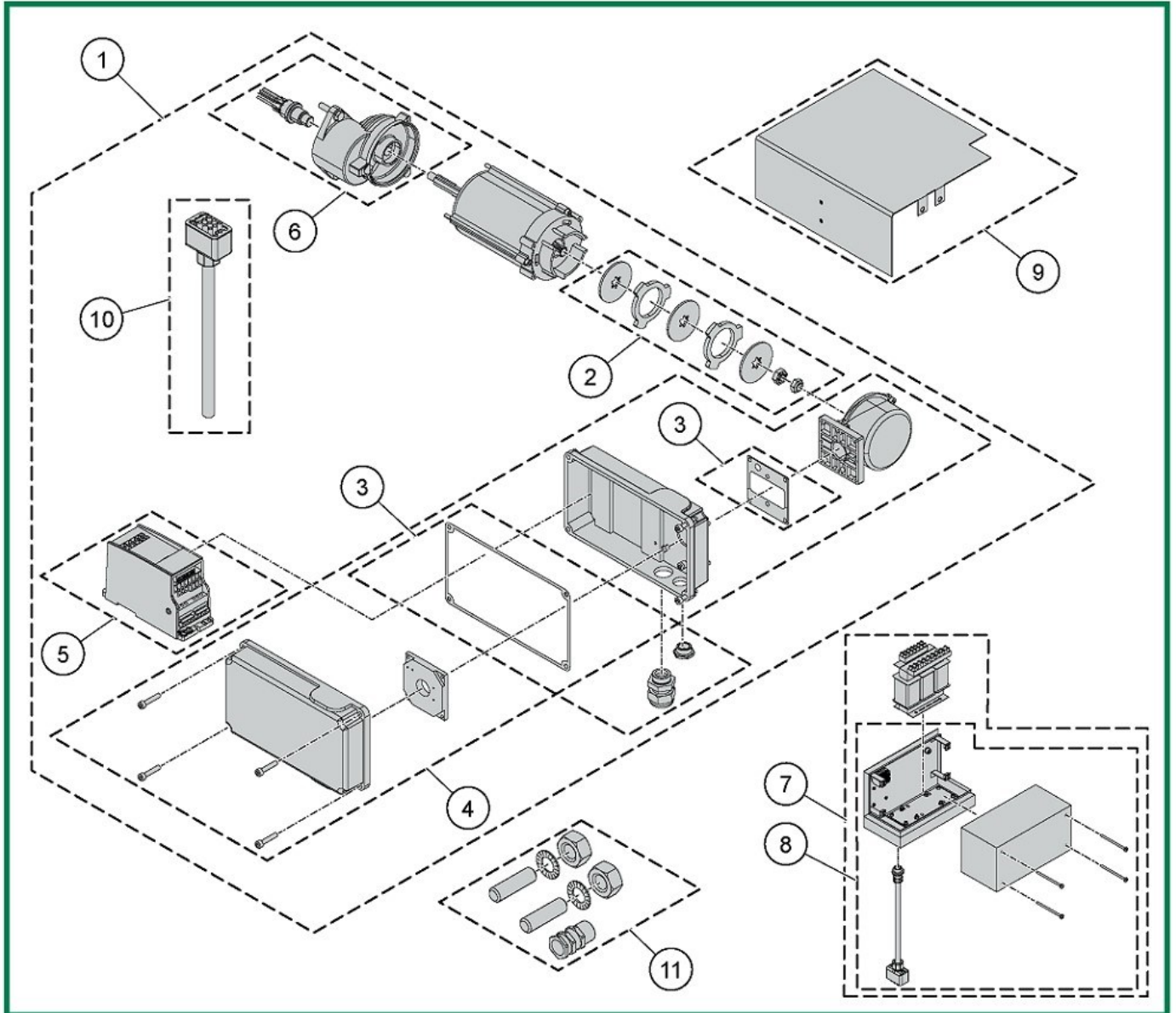
4.1. TMU Motor



TMU motor

Item	Reference	Description	Observation	Quantity
1	<u>VT0018901</u>	Coupling set	66 to 82 mm	1
1	<u>VT0018941</u>	Coupling set	90 mm	1
1	<u>VT0018942</u>	Coupling set	119 to 137 mm	1
1	<u>VT0018943</u>	Coupling set	143 to 185 mm	1
1	<u>VT0018944</u>	Coupling set	151 to 200 mm	1
2	<u>VT0018945</u>	Synchro set		1
3	<u>VT0019281</u>	Complete travel wheel - Driving	100x150 - Stainless steel	1
3	<u>VT0008783</u>	Set of Travel wheels - Driving	C3 - 100x150 mm - Standard	2
4	<u>VT0019321</u>	Complete travel wheel	100x150 - Stainless steel	1
4	<u>VT0008782</u>	Set of Travel wheels; Idle	C3 - 100x150 mm - Standard	2
5	<u>VT0019284</u>	Plate cubicle side + complete travel wheel	Stainless steel	1
5	<u>VT0019285</u>	Plate cubicle side + complete travel wheel	Standard	1
5	<u>VT0019282</u>	Plate opposite to cubicle side + complete travel wheel	Stainless steel	1
5	<u>VT0019283</u>	Plate opposite to cubicle side + complete travel wheel	Standard	1
6	<u>VT0019481</u>	Gear wheel + spring pin		2
7	<u>VT0019482</u>	Rubber buffer		1
8	<u>VT0012824</u>	Limit switch + Fixing plate		1
9	<u>VT0009508</u>	Limit switch activator		1

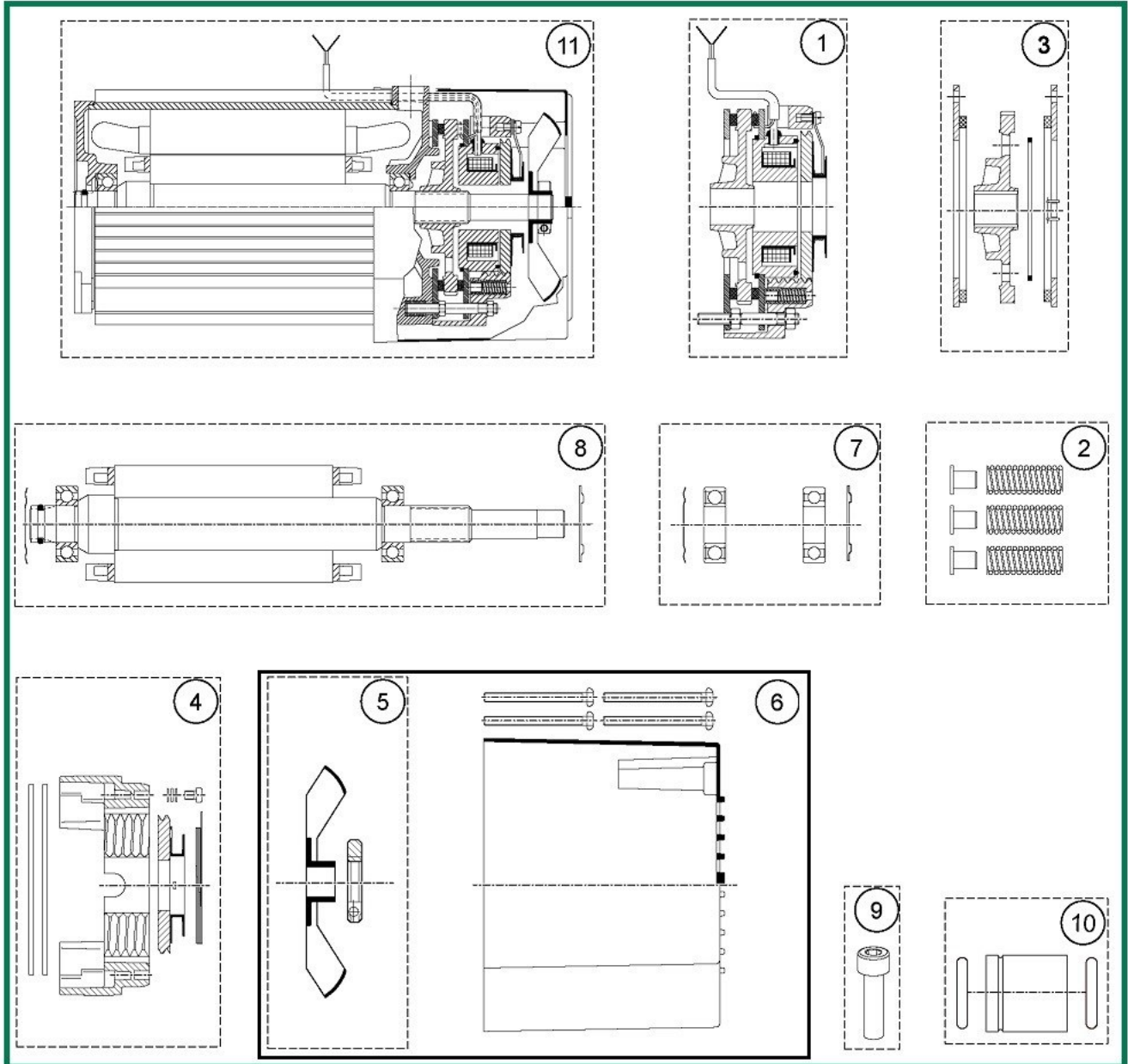
5. TMU - VARIATION



TMU - VARIATION

Item	Reference	Description	Observation	Quantity
1	<u>VT0009423</u>	Travelling machinery - TMU1	42-230V < 1000 Kg MF06MK200-135A80062E-IP66	1
1	<u>VT0009424</u>	Travelling machinery - TMU2	42-230V > 1000 Kg to 2000 kg MF06MK104-136P85054E-IP66	1
2	<u>VT0001548</u>	Brake repair Set	M06-001V	1
3	<u>VT0009425</u>	Sealing set	M06-008V	1
4	<u>VT0009426</u>	Housing set	M06-022V	1
5	<u>VT0006534</u>	Inverter VT003	TMK003.380 460V/ ctrl 42 230V Since January 2015 for motor already equipped of this inverter	1
6	<u>VT0009427</u>	Reducer	GEL105PT1B0	1
7	<u>VT0009428</u>	Control panel	T50E-TE07	1
8	<u>VT0009429</u>	Housing set	UKTM/ALTM-NEW	1
9	<u>VT0009430</u>	Rain cover	TMU C1 to C5	1
10	<u>VT0019141</u>	Connection set		1
11	<u>VT0009323</u>	Fixing set		1

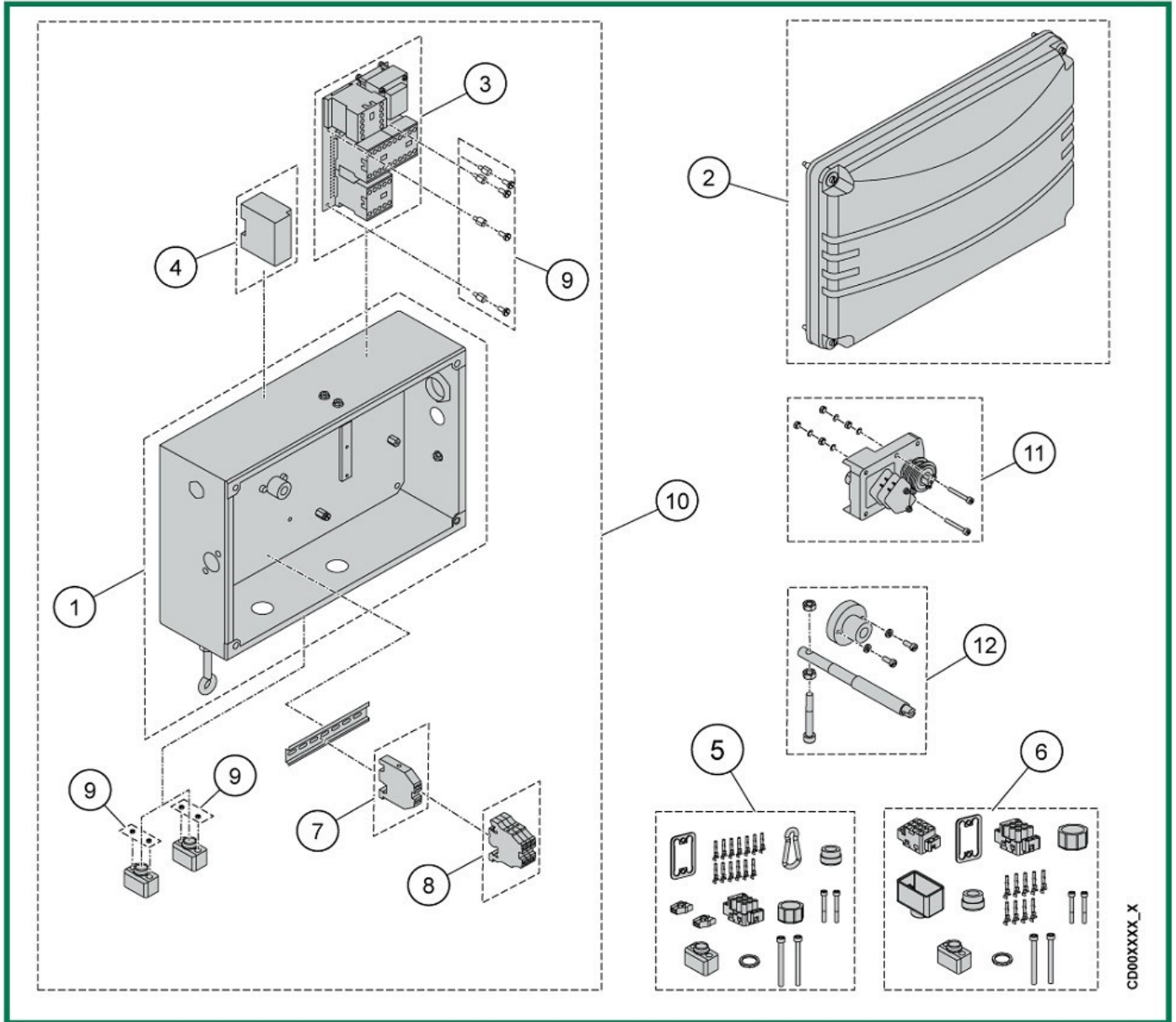
6. LIFTING MOTOR



Lifting Motor

Item	Reference	Description	Observation	Quantity
1	<u>VT0018947</u>	Complete brake	Mot 346 to 480 V 190VDC	1
2	<u>VT0018951</u>	Spring set	VS1 N1 - quantity : 4	1
3	<u>VT0019121</u>	Brake repair disc set		1
4	<u>VT0018948</u>	Autom. adjusting repairing set	VS N1 - VS N2	1
5	<u>VT0019601</u>	Fan		1
6	<u>VT0018950</u>	Fan + Cover	VS1 N1	1
7	<u>VT0018949</u>	Bearing set	VS N1 - VS N2	1
8	<u>VT0019122</u>	Shaft assembly	VS1 N1	1
9	<u>VT0019124</u>	Screw CHC 8x30		4
10	<u>VT0010136</u>	Coupling	VS1 N1	1
11	<u>VT0018946</u>	Lifting motor - MF09Z	1,9/0,3 kw - 400V 50 Hz - 460V 60Hz	1

7. ELECTRICAL PARTS

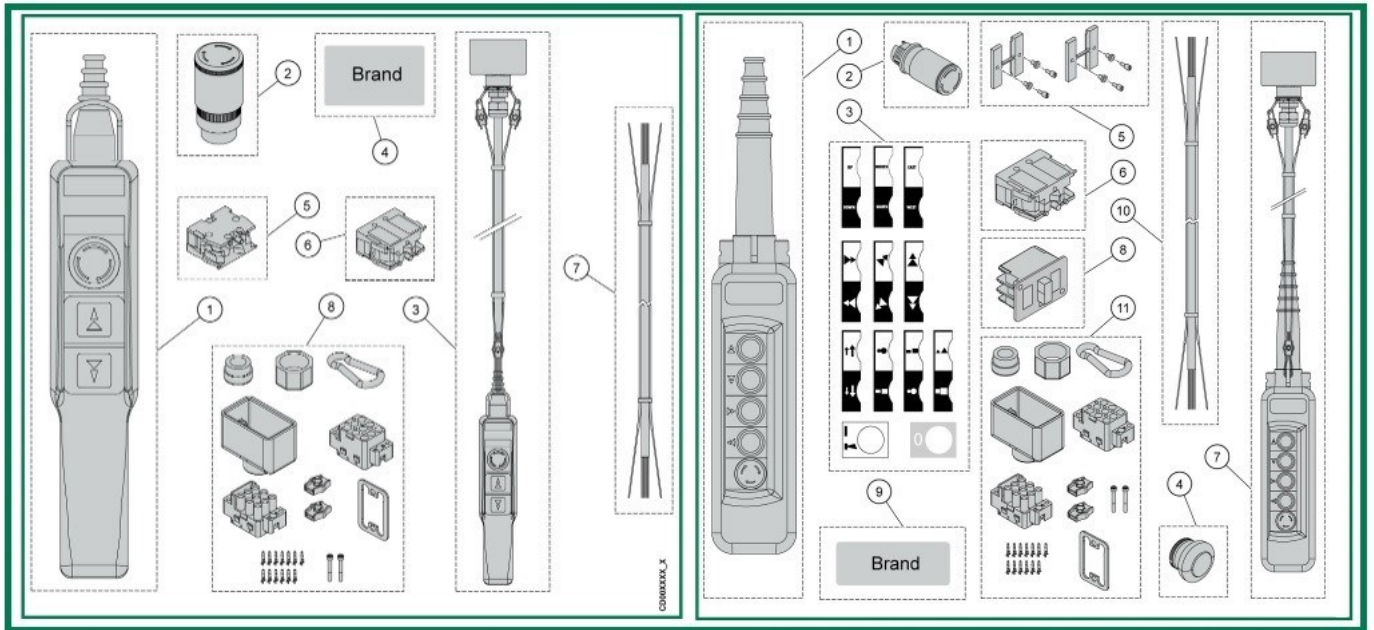


CD00XXXX_X

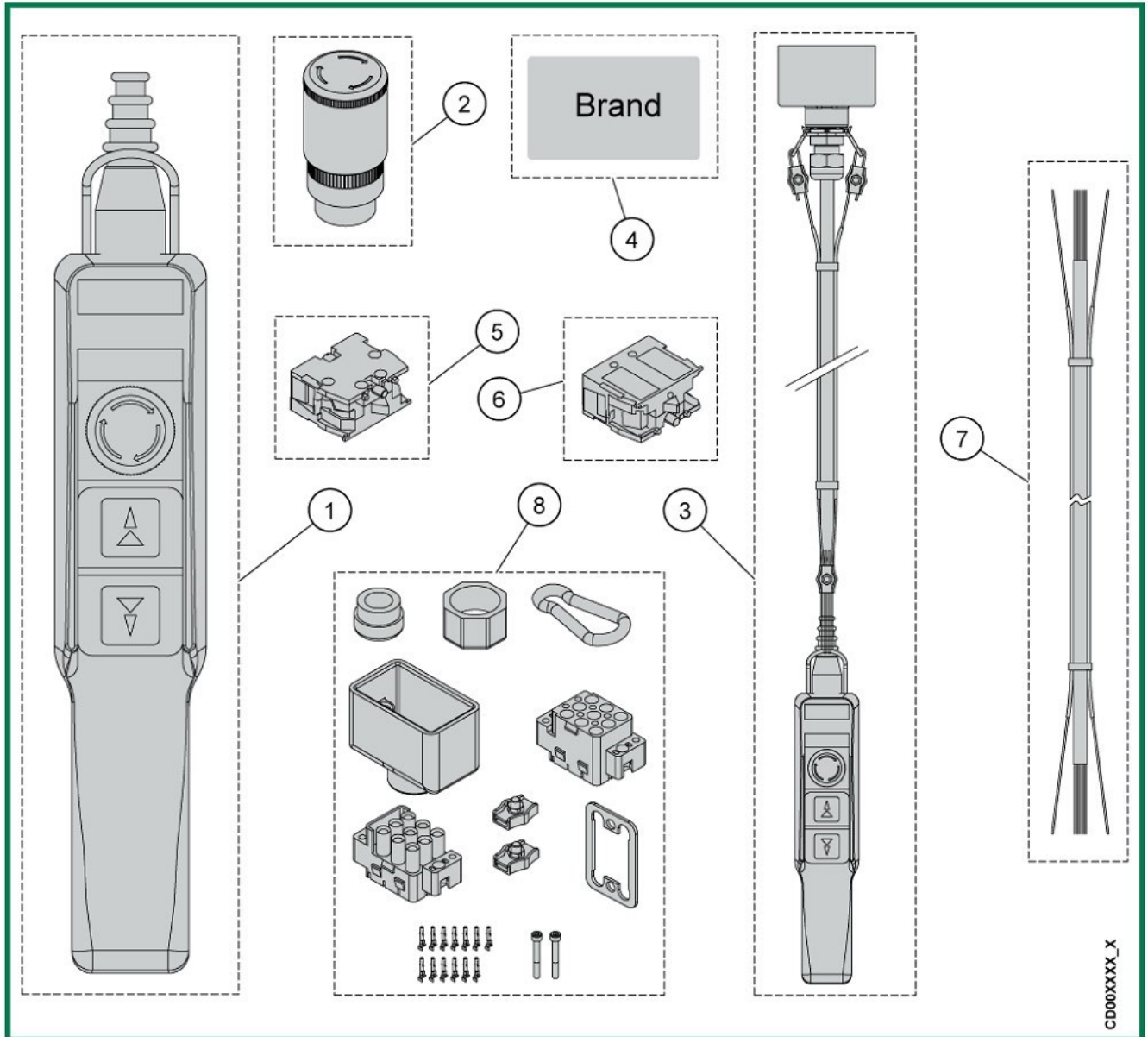
Electrical parts

Item	Reference	Description	Observation	Quantity
1	<u>VT0019503</u>	Cubicle	Stainless steel	1
1	<u>VT0019501</u>	Cubicle	Standard	1
2	<u>VT0016561</u>	Cover, electrical cubicle		1
3	<u>VT0019381</u>	Circuit board		1
4	<u>VT0019385</u>	Thermistor relay - 48 V	MSL 48C - AF11	1
5	<u>VT0019483</u>	Plug set Push buttons	M+F standard X23	1
6	<u>VT0019484</u>	Plug set Trolley	M+F Standard X24	1
7	<u>VT0019504</u>	Terminal block		3
8	<u>VT0019505</u>	Terminal block		7
9	<u>VT0017461</u>	Screws set - PC board		1
10	<u>VT0019508</u>	Complete cubicle + Pc board 2HS+2CS+ES	230V/48V	1
10	<u>VT0019506</u>	Complete cubicle + Pc board 2HS+2CS+ES	400V/48V Without limit switch standard	1
10	<u>VT0019507</u>	Complete cubicle + Pc board 2HS+2CS+ES	400V/48V Without limit switch stainless steel	1
11	<u>VT0019845</u>	Rotary limit switch	Lift height : 32 m	1
12	<u>VT0019509</u>	Axle		1

8. PUSH BUTTONS



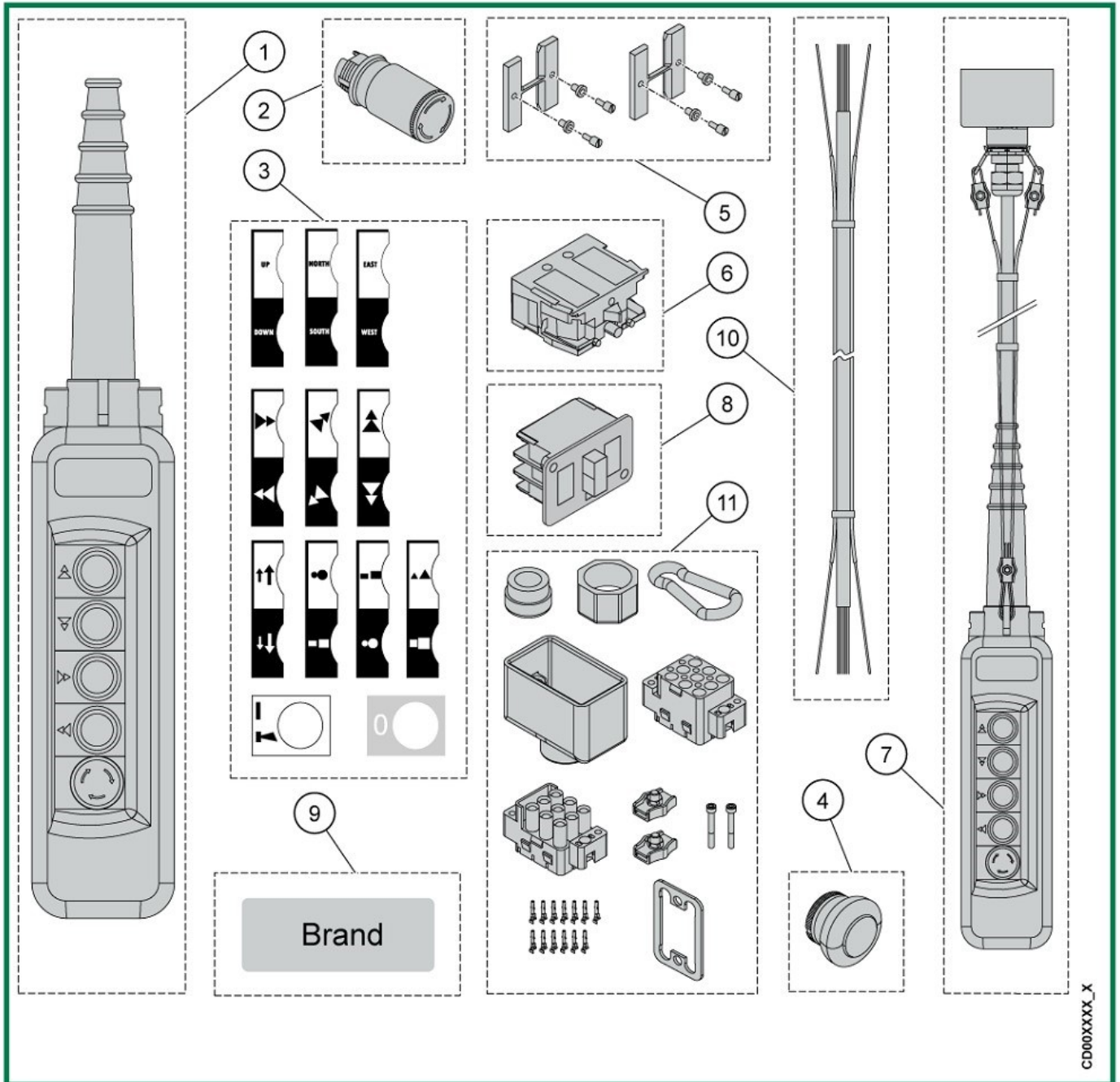
8.1. 2 buttons



2 Push buttons

Item	Reference	Description	Observation	Quantity
1	<u>VT0005061</u>	Push buttons - 2VL+AU	Jaune	1
2	<u>VT0006547</u>	Emergency push button		1
3	<u>VT0018781</u>	Pendant with cable - 2HS+ES	2,2 m - Yellow - CE	1
3	<u>VT0018782</u>	Pendant with cable - 2HS+ES	2,7 m - Yellow - CE	1
3	<u>VT0018783</u>	Pendant with cable - 2HS+ES	3,2 m - Yellow - CE	1
3	<u>VT0018784</u>	Pendant with cable - 2HS+ES	3,7 m - Yellow - CE	1
3	<u>VT0018786</u>	Pendant with cable - 2HS+ES	4,2 m - Yellow - CE	1
3	<u>VT0018787</u>	Pendant with cable - 2HS+ES	4,7 m - Yellow - CE	1
3	<u>VT0018788</u>	Pendant with cable - 2HS+ES	5,2 m - Yellow - CE	1
3	<u>VT0018789</u>	Pendant with cable - 2HS+ES	5,7 m - Yellow - CE	1
4	<u>VT0007837</u>	Sticker of brand	VERLINDE	1
5	<u>VT0005064</u>	Block contact	ZB2-BE101	1
6	<u>VT0005066</u>	Block contact		1
6	<u>VT0015041</u>	Block contact	ZB2-BE 201 "F" décalé	1
7	<u>VT0006746</u>	Cable	1x1,5mm ²	meter
8	<u>VT0007806</u>	Plug set		1

8.2. 4 boutons



4 boutons

Item	Reference	Description	Observation	Quantity
1	<u>VT0005055</u>	Push buttons - 2VL+2VD+AU	Yellow	1
2	<u>VT0006548</u>	Emergency push button		1
3	<u>VT0007882</u>	Direction symbols set		1
4	<u>VT0005063</u>	Push button		1
5	<u>VT0005072</u>	Mechanical interlock		2
6	<u>VT0005066</u>	Block contact		1
7		Pendant with cable - 2HS+2TS+ES	Request serial number	1
8	<u>VT0007879</u>	Direction contact block	XENG1191	1
9	<u>VT0007880</u>	Sticker of brand	VERLINDE	1
10	<u>VT0006747</u>	Cable	8x1,5mm2	meter
11	<u>VT0007806</u>	Plug set		1