

Spare parts catalog for electricals parts for crane kit

To avoid errors, when ordering please specify:

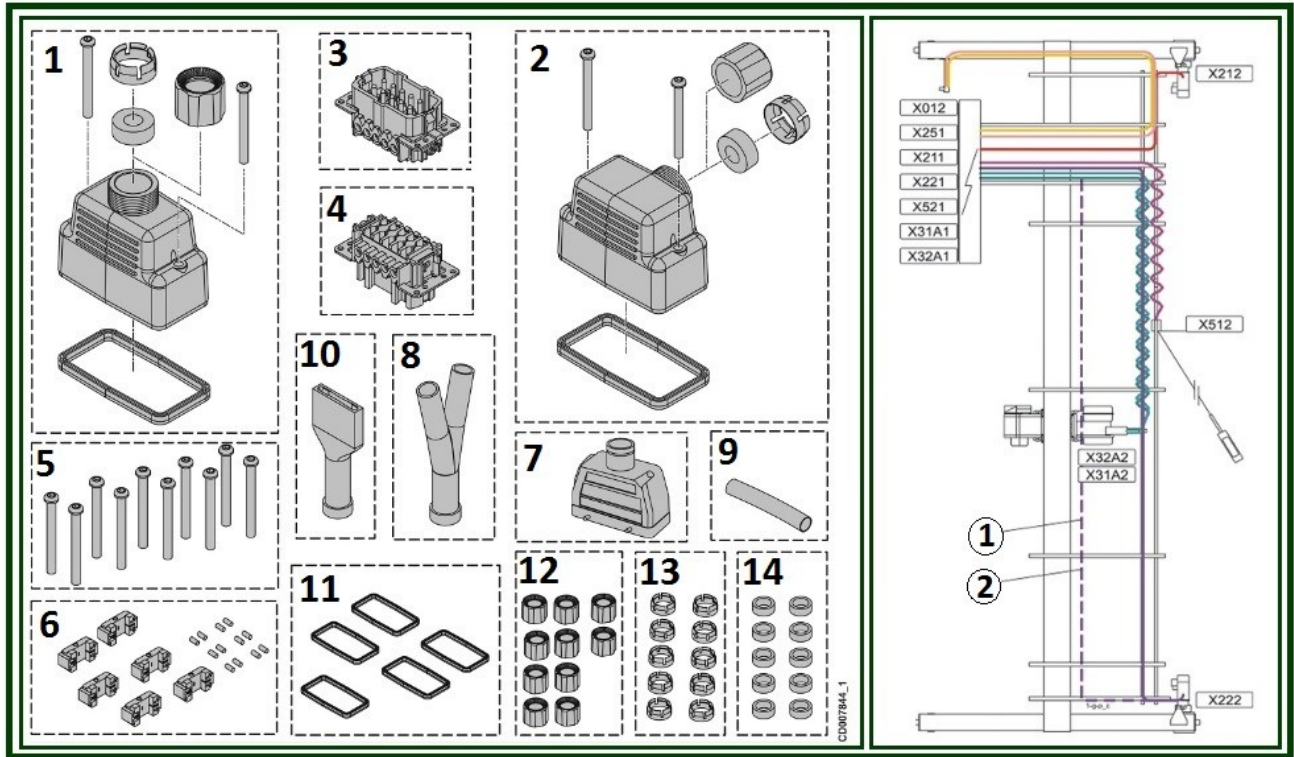
- Complete type of hoist
- Date of manufacture and serial number
- Spare part code
- Spare part designation
- Additional information

1. CRANE KIT - Before 2008	2
2. CRANE KIT - After 2008.....	3
2.1. Description.....	4
2.2. Accessories for crane kit.....	5

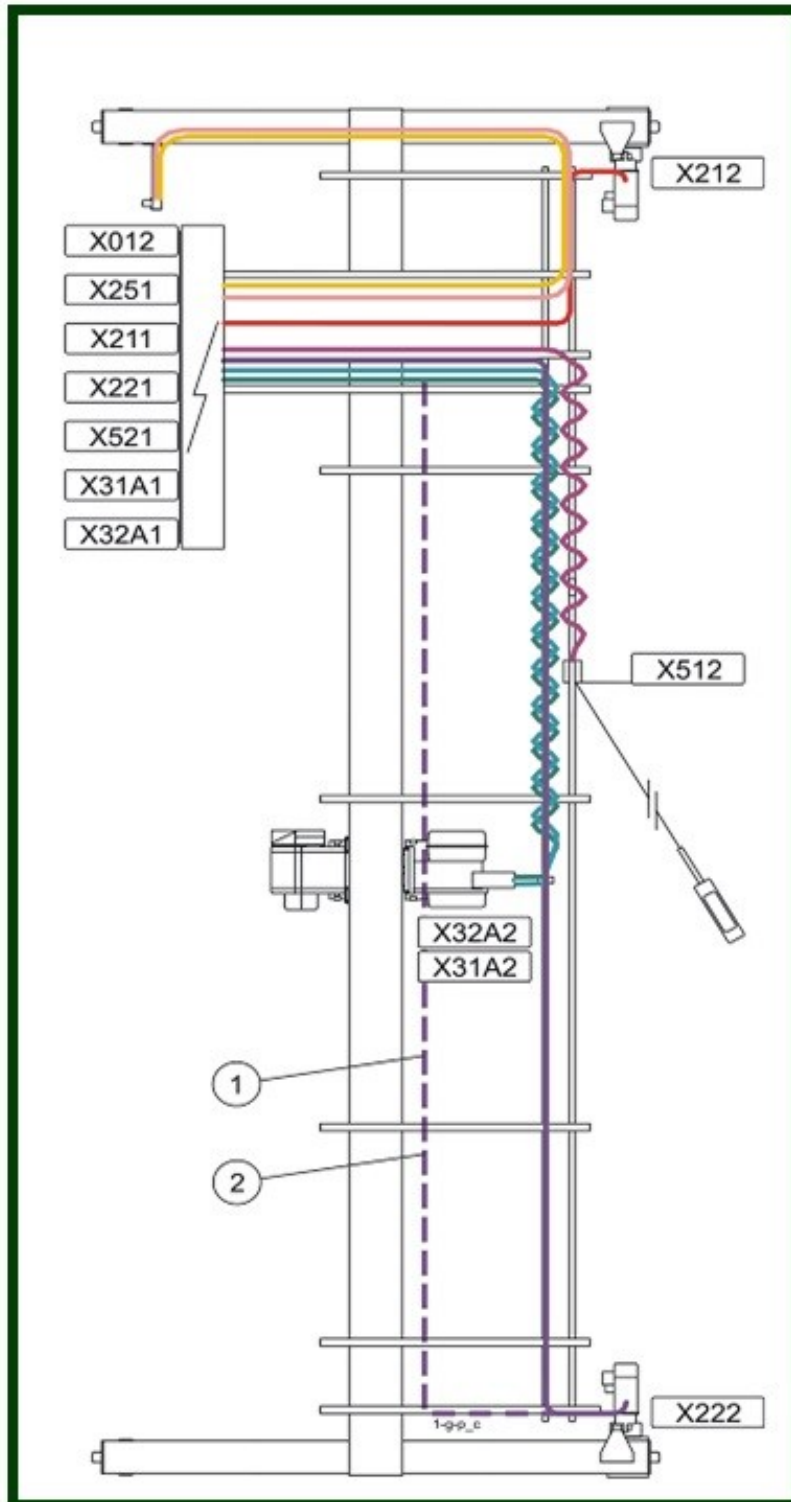
1. CRANE KIT - Before 2008

Item	Reference	Description	Observation	Quantity
1	<u>52314158</u>	Tandem PC BOARD	Crane kit - Before 2008	1

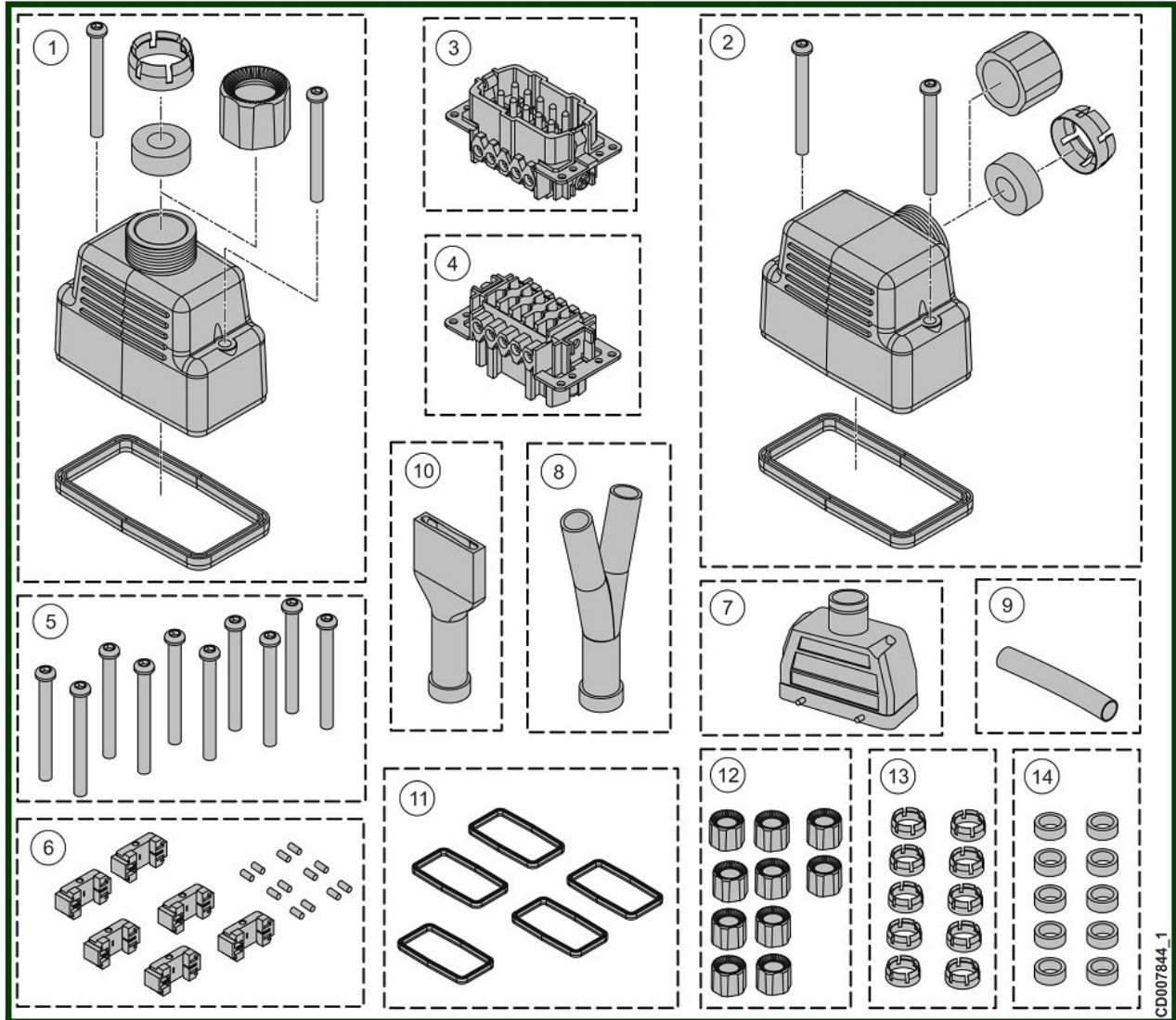
2. CRANE KIT – After 2008



2.1. Description



2.2. Accessories for crane kit



Accessories for crane kit

Item	Reference	Description	Observations	Quantity
1	52392325	Cover set - Input up	10 pins - X212 - X222	1
2	52392330	Cover set - Input side	16 pins - X012 - X251 - X521 - X31A1 - X32A1	1
2	53132202	Cover set- Input side	24 pins - X521 - X32A1	1
2	52392320	Cover set - Input side	10 pins - X211 - X221	1
3	52287831	Insert male - Cable side	16 pins - X521 - X32A1	1
3	52274776	Insert male - Cable side	24 pins - X521 - X32A1	1
3	52287844	Insert male - Cable side	10 pins - X211 - X221	1
3	52287835	Insert male - Cable side	4 pins - X31A1 - X012 – Motor P5 to P9	1
3	52287837	Insert male - Cable side	6 pins - X31A1 - X012 – Motor P1 to P4	1
4	52287830	Insert female - Cable side	16 pins - X521	1
4	52605890	Insert female - Cable side	24 pins - X521	1
4	52287838	Insert female - Cable side	10 pins - X212 - X222	1
4	52287834	Insert female - Cable side	4 pins - X31A1-X012 – Motor P5 to P9	1
4	52287836	Insert female - Cable side	6 pins - X31A1 X012 – Motor P1 to P4	1
5	52905670	Set of 10 screws		1
6	52271683	Fixing set of 6 parts – VT Cubicle side		1
7	52728176	Steel push button plug set Cable side	16 pins - X512	1
7	52427924	Steel push button plug set Cable side	24 pins - X512	1
8	52564694	Double inputs	Only for tandem hoist	1
9	52739615	Head shrinkable tube	Lg 1 m - Ø 39 mm	1
10	52307703	Flat cable adapter	1x (4x16mm ²) + 1x (12x1.5 mm ²)	1
10	7644021U	Flat cable adapter	3 flat cables - 4G6 mm ² + 8x1.5 mm ²	1
11	52420960	Set of 5 cover seals	10 PINS	1
11	52420962	Set of 5 cover seals	16 PINS	1
11	52905691	Set of 5 cover seals	24 PINS	1
12	52391088	Set of 10 nuts		1
13	52391089	Set of 10 clips		1
14	52391090	Set of 10 sealings	D23.5/15X9	1