

Spare parts catalogue for End Carriage GRN09 – GTL09-GTR09

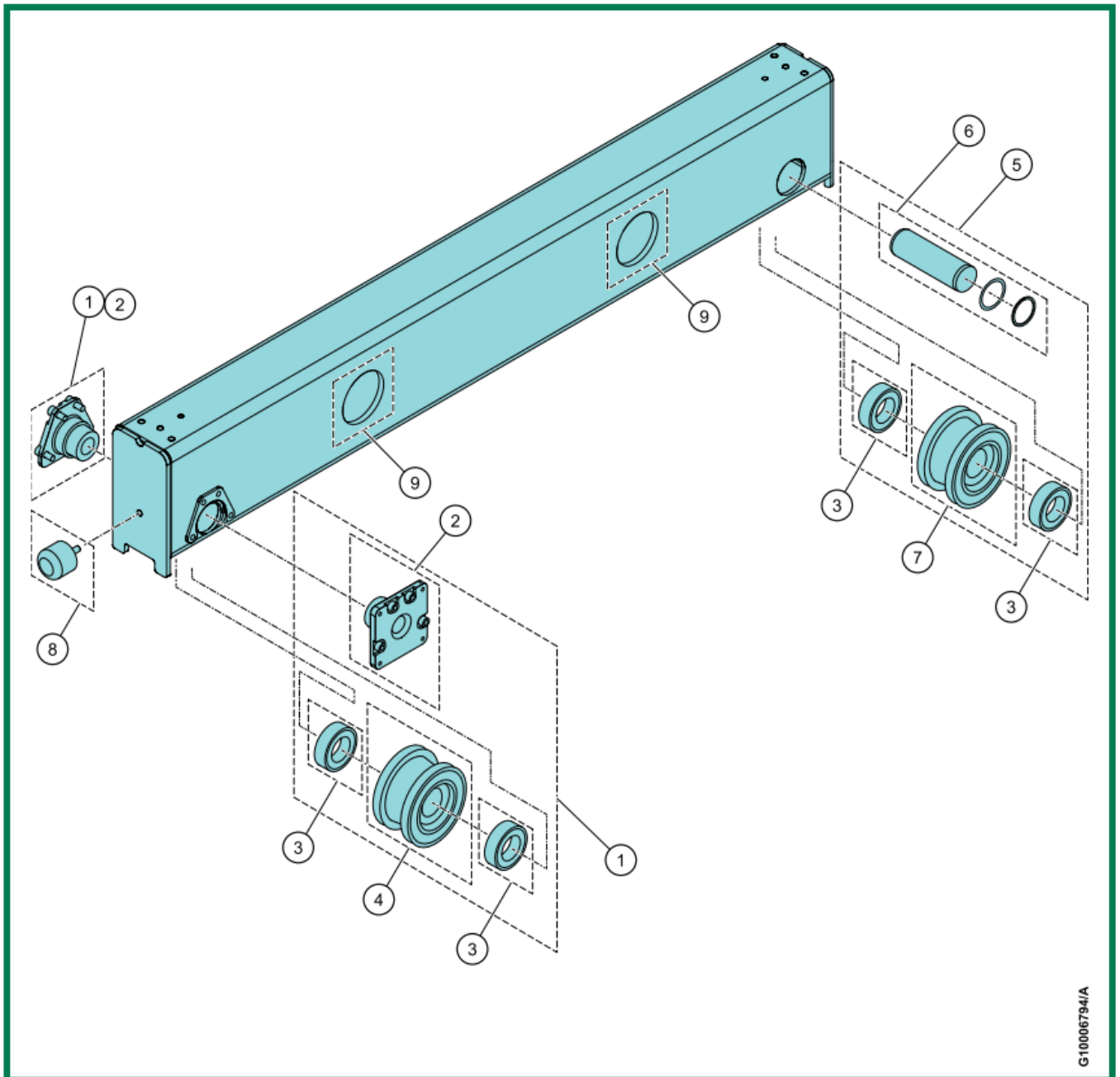
To avoid errors, when ordering please specify:

- Complete type of hoist
- Date of manufacture and serial number
- Spare part code
- Spare part designation
- Additional information



1.END CARRIAGE – GRN09-GTL09-GTR09 – Diam. 90mm.....	2
2.END CARRIAGE – GTR11-GRN11 – Diam. 110 mm.....	6
3.END CARRIAGE – GTR14-GRN14 – Diam. 140 mm.....	10
4.END CARRIAGE – GTR16-GRN16 – Diam. 160 mm.....	14
5.END CARRIAGE – GTR20-GTR20B – Diam. 200 mm.....	18
6.END CARRIAGE – GTR25-GTR25B – Diam. 250 mm.....	22
7.END CARRIAGE – GTR32-GTR32B – Diam. 320 mm.....	25
8.END CARRIAGE – GTR40-GTR40B – Diam. 400 mm.....	25
9.END CARRIAGE – GT50-GT50B – Diam. 500 mm.....	31
10.END CARRIAGE – GTR50B – Diam. 500 mm.....	34

1. END CARRIAGE - GRN09-GTL09-GTR09 - Diam. 90mm



End carriage GRN09-GTL09-GTR09 – Diam. 90mm

Item	Reference	Description	Observation	Quantity
1	<u>VT0001337</u>	Wheel set; Driving	Groove width 50 mm	1
1	<u>VT0001569</u>	Wheel set; Driving	Groove width 55 mm	1
1	<u>VT0001570</u>	Wheel set; Driving	Groove width 60 mm	1
1	<u>VT0001571</u>	Wheel set; Driving	Groove width 65 mm	1
1	<u>VT0009441</u>	Wheel set; Driving	Groove width 70 mm	1
1	<u>VT0009440</u>	Wheel set; Driving	Groove width 00	1
1	<u>VT0015625</u>	Wheel set; Driving	Groove width 50 mm - EX - BRASS	1
1	<u>VT0014784</u>	Wheel set; Driving	Groove width 55 mm - EX - BRASS	1
1	<u>VT0015615</u>	Wheel set; Driving	Groove width 60 mm - EX - BRASS	1
1	<u>VT0015616</u>	Wheel set; Driving	Groove width 65 mm - EX - BRASS	1
1	<u>VT0015617</u>	Wheel set; Driving	Groove width 70 mm - EX - BRASS	1
1	<u>VT0015618</u>	Wheel set; Driving	Groove width 00 - EX - BRASS	1
2	<u>VT0005003</u>	Bearing housing		2
3	<u>VT0001572</u>	Bearing set		2
4	<u>VT0003791</u>	Travel wheel; Driving	Groove width 50 mm	1
4	<u>VT0003792</u>	Travel wheel; Driving	Groove width 55 mm	1
4	<u>VT0003793</u>	Travel wheel; Driving	Groove width 60 mm	1
4	<u>VT0004143</u>	Travel wheel; Driving	Groove width 65 mm	1
4	<u>VT0003795</u>	Travel wheel; Driving	Groove width 70 mm	1
4	<u>VT0009439</u>	Travel wheel; Driving	Groove width 00	1
4	<u>VT0014781</u>	Travel wheel	Groove width 50 mm - EX - BRASS	1
4	<u>VT0014782</u>	Travel wheel	Groove width 55 mm - EX - BRASS	1
4	<u>VT0015605</u>	Travel wheel	Groove width 60 mm - EX - BRASS	1
4	<u>VT0015606</u>	Travel wheel	Groove width 65 mm - EX - BRASS	1
4	<u>VT0015607</u>	Travel wheel	Groove width 70 mm - EX - BRASS	1
4	<u>VT0015608</u>	Travel wheel	Groove width 00 - EX - BRASS	1

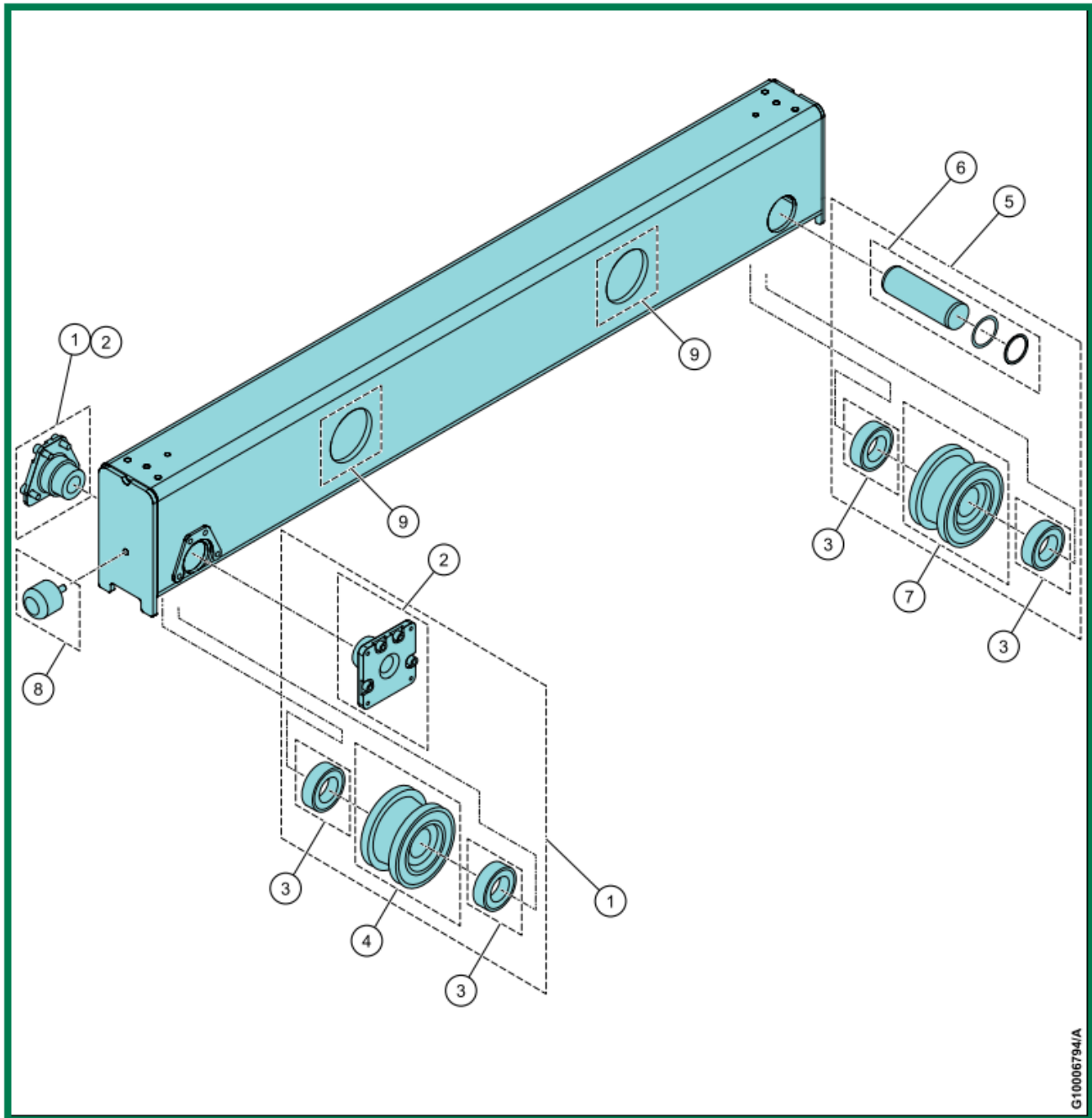
End carriage – GRN09-GTL09-GTR09

Item	Reference	Description	Observation	Quantity
5	VT0009438	Wheel set; Idle	Groove width 50 mm	1
5	VT0009437	Wheel set; Idle	Groove width 55 mm	1
5	VT0009436	Wheel set; Idle	Groove width 60 mm	1
5	VT0009435	Wheel set; Idle	Groove width 65 mm	1
5	VT0009434	Wheel set; Idle	Groove width 70 mm	1
5	VT0009432	Wheel set; Idle	Groove width 00	1
5	VT0015619	Wheel set; Idle	Groove width 50 mm - EX-BRASS	1
5	VT0014785	Wheel set; Idle	Groove width 55 mm - EX-BRASS	1
5	VT0015620	Wheel set; Idle	Groove width 60 mm - EX-BRASS	1
5	VT0015622	Wheel set; Idle	Groove width 65 mm - EX-BRASS	1
5	VT0015623	Wheel set; Idle	Groove width 70 mm - EX-BRASS	1
5	VT0015624	Wheel set; Idle	Groove width 00 - EX-BRASS	1
6	VT0003796	Shaft set	EC09-D	1
7	VT0003794	Travel wheel; Idle	Groove width 50 mm	1
7	VT0003787	Travel wheel; Idle	Groove width 55 mm	1
7	VT0003788	Travel wheel; Idle	Groove width 60 mm	1
7	VT0003789	Travel wheel; Idle	Groove width 65 mm	1
7	VT0003790	Travel wheel; Idle	Groove width 70 mm	1
7	VT0009433	Travel wheel; Idle	Groove width 00	1
7	VT0015609	Travel wheel; Idle	Groove width 50 mm - EX-BRASS	1
7	VT0014783	Travel wheel; Idle	Groove width 55 mm - EX-BRASS	1
7	VT0015611	Travel wheel; Idle	Groove width 60 mm - EX-BRASS	1
7	VT0015612	Travel wheel; Idle	Groove width 65 mm - EX-BRASS	1
7	VT0015613	Travel wheel; Idle	Groove width 70 mm - EX-BRASS	1
7	VT0015614	Travel wheel; Idle	Groove width 00 - EX-BRASS	1

End carriage – GRN09-GTL09-GTR09

Item	Reference	Description	Observation	Quantity
8	<u>VT0004003</u>	Polyurethane buffer	80X80	1
8	<u>VT0001722</u>	Polyurethane buffer	100x100	1
8	<u>VT0001723</u>	Polyurethane buffer	100x150	1
8	<u>VT0000877</u>	Rubber buffer	Diameter: 63 mm, Length: 53 mm	1
8	<u>VT0001033</u>	Rubber buffer M12, C = 35 mm	Diameter: 80 mm, Length: 68 mm	1
8	<u>VT0001730</u>	Rubber buffer M12, C = 35 mm	Diameter: 100 mm, Length: 85 mm,	1
9	<u>VT0004355</u>	Cap	D100	2
9	<u>VT0009431</u>	Cap	D85	2

2. END CARRIAGE - GTR11-GRN11 - Diam. 110 mm



End Carriage – GTR11 – GRN11

Item	Reference	Description	Observation	Quantity
1	VT0009443	Wheel set; Driving	Groove width 52 mm	1
1	VT0009444	Wheel set; Driving	Groove width 57 mm	1
1	VT0009445	Wheel set; Driving	Groove width 62 mm	1
1	VT0009446	Wheel set; Driving	Groove width 67 mm	1
1	VT0009447	Wheel set; Driving	Groove width 72 mm	1
1	VT0009448	Wheel set; Driving	Groove width 77 mm	1
1	VT0009449	Wheel set; Driving	Groove width 82 mm	1
1	VT0009450	Wheel set; Driving	Groove width 87 mm	1
1	VT0009442	Wheel set; Driving	Groove width 00	1
1	VT0018202	Wheel set; Driving	Groove width 52 mm - EX - BRASS	1
1	VT0018203	Wheel set; Driving	Groove width 57 mm - EX - BRASS	1
1	VT0016424	Wheel set; Driving	Groove width 62 mm - EX - BRASS	1
1	VT0018204	Wheel set; Driving	Groove width 67 mm - EX - BRASS	1
1	VT0018205	Wheel set; Driving	Groove width 72 mm - EX - BRASS	1
1	VT0018206	Wheel set; Driving	Groove width 77 mm - EX - BRASS	1
1	VT0018207	Wheel set; Driving	Groove width 82 mm - EX - BRASS	1
1	VT0018208	Wheel set; Driving	Groove width 87 mm - EX - BRASS	1
1	VT0018202	Wheel set; Driving	Groove width 00 - EX - BRASS	1
2	VT0005004	Bearing housing		1
3	VT0001585	Bearing set		1
4	VT0003798	Travel wheel; Driving	Groove width 52 mm	1
4	VT0003799	Travel wheel; Driving	Groove width 57 mm	1
4	VT0003800	Travel wheel; Driving	Groove width 62 mm	1
4	VT0003802	Travel wheel; Driving	Groove width 67 mm	1
4	VT0003803	Travel wheel; Driving	Groove width 72 mm	1
4	VT0003804	Travel wheel; Driving	Groove width 77 mm	1
4	VT0003805	Travel wheel; Driving	Groove width 82 mm	1
4	VT0003806	Travel wheel; Driving	Groove width 87 mm	1
4	VT0003834	Travel wheel; Driving	Groove width 00	1

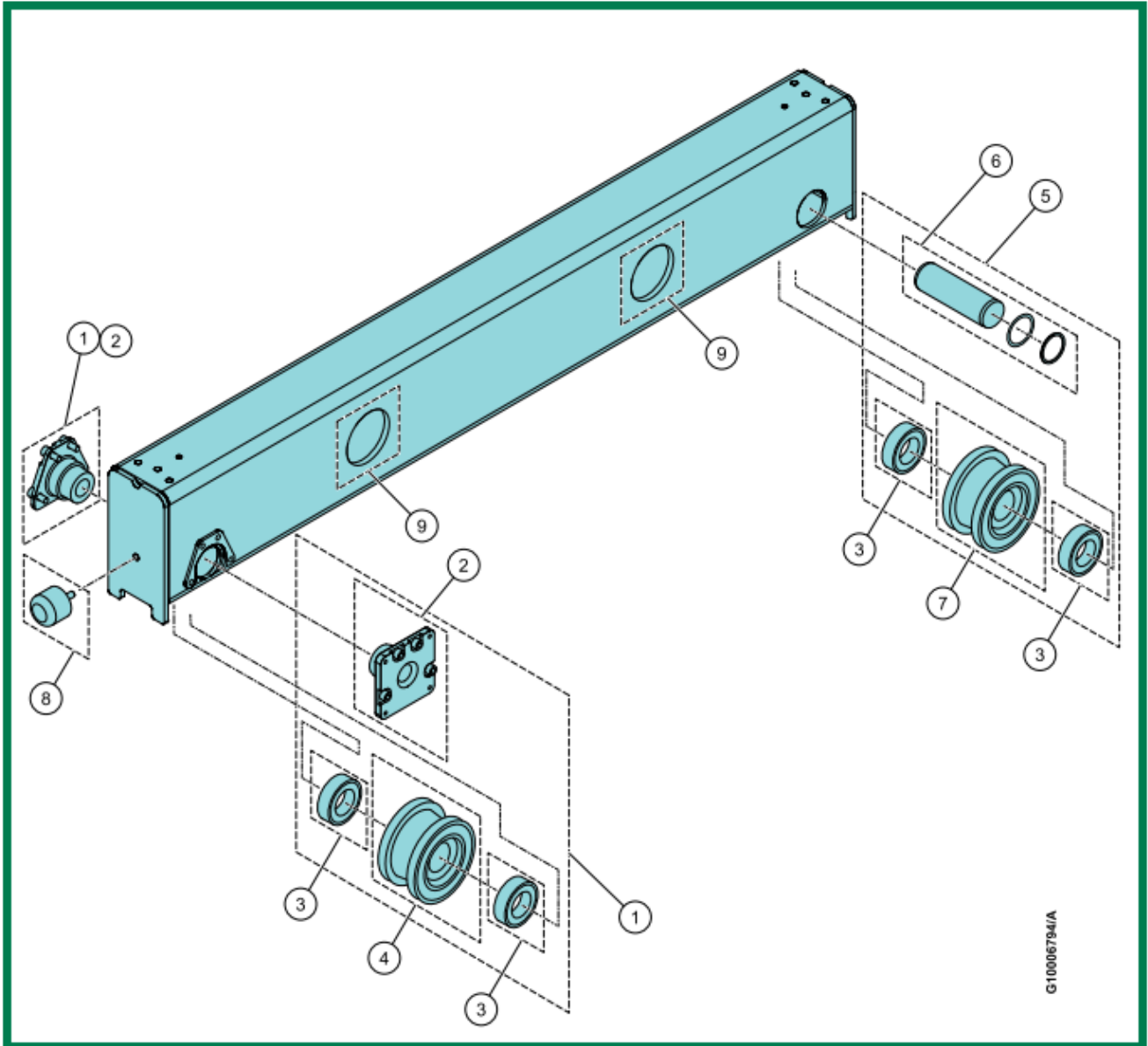
End Carriage – GTR11 – GRN11

Item	Reference	Description	Observation	Quantity
4	<u>VT0018209</u>	Travel wheel	Groove width 52 mm - EX - BRASS	1
4	<u>VT0016422</u>	Travel wheel	Groove width 62 mm - EX - BRASS	1
4	<u>VT0018210</u>	Travel wheel	Groove width 67 mm - EX - BRASS	1
4	<u>VT0018211</u>	Travel wheel	Groove width 72 mm - EX - BRASS	1
4	<u>VT0018212</u>	Travel wheel	Groove width 77 mm - EX - BRASS	1
4	<u>VT0018213</u>	Travel wheel	Groove width 82 mm - EX - BRASS	1
4	<u>VT0018214</u>	Travel wheel	Groove width 87 mm - EX - BRASS	1
4	<u>VT0018215</u>	Travel wheel	Groove width 00 - EX - BRASS	1
5	<u>VT0009452</u>	Wheel set; Idle	Groove width 52 mm	1
5	<u>VT0009453</u>	Wheel set; Idle	Groove width 57 mm	1
5	<u>VT0009454</u>	Wheel set; Idle	Groove width 62 mm	1
5	<u>VT0009455</u>	Wheel set; Idle	Groove width 67 mm	1
5	<u>VT0009456</u>	Wheel set; Idle	Groove width 72 mm	1
5	<u>VT0009457</u>	Wheel set; Idle	Groove width 77 mm	1
5	<u>VT0009458</u>	Wheel set; Idle	Groove width 82 mm	1
5	<u>VT0009459</u>	Wheel set; Idle	Groove width 87 mm	1
5	<u>VT0009451</u>	Wheel set; Idle	Groove width 00	1
5	<u>VT0018217</u>	Wheel set; Idle	Groove width 52 mm - EX - BRASS	1
5	<u>VT0018218</u>	Wheel set; Idle	Groove width 57 mm - EX - BRASS	1
5	<u>VT0016425</u>	Wheel set; Idle	Groove width 62 mm - EX - BRASS	1
5	<u>VT0018219</u>	Wheel set; Idle	Groove width 67 mm - EX - BRASS	1
5	<u>VT0018220</u>	Wheel set; Idle	Groove width 72 mm - EX - BRASS	1
5	<u>VT0018221</u>	Wheel set; Idle	Groove width 77 mm - EX - BRASS	1
5	<u>VT0018222</u>	Wheel set; Idle	Groove width 82 mm - EX - BRASS	1
5	<u>VT0018223</u>	Wheel set; Idle	Groove width 87 mm - EX - BRASS	1
5	<u>VT0018216</u>	Wheel set; Idle	Groove width 00 - EX - BRASS	1
6	<u>VT0003807</u>	Shaft set		1

End Carriage – GTR11 – GRN11

Item	Reference	Description	Observation	Quantity
7	VT0003849	Travel wheel; Idle	Groove width 52 mm	1
7	VT0003850	Travel wheel; Idle	Groove width 57 mm	1
7	VT0003851	Travel wheel; Idle	Groove width 62 mm	1
7	VT0003852	Travel wheel; Idle	Groove width 67 mm	1
7	VT0003853	Travel wheel; Idle	Groove width 72 mm	1
7	VT0003856	Travel wheel; Idle	Groove width 77 mm	1
7	VT0003857	Travel wheel; Idle	Groove width 82 mm	1
7	VT0003858	Travel wheel; Idle	Groove width 87 mm	1
7	VT0003854	Travel wheel; Idle	Groove width 00	1
7	VT0018224	Travel wheel	Groove width 52 mm EX - BRASS	1
7	VT0016423	Travel wheel	Groove width 62 mm EX - BRASS	1
7	VT0018225	Travel wheel	Groove width 67 mm EX - BRASS	1
7	VT0018226	Travel wheel	Groove width 72 mm EX - BRASS	1
7	VT0018227	Travel wheel	Groove width 77 mm EX - BRASS	1
7	VT0018228	Travel wheel	Groove width 82 mm EX - BRASS	1
7	VT0018229	Travel wheel	Groove width 87 mm EX - BRASS	1
7	VT0018230	Travel wheel	Groove width 00 EX - BRASS	1
8	VT0004003	Polyurethane buffer	80X80	1
8	VT0001722	Polyurethane buffer	100X100	1
8	VT0001723	Polyurethane buffer	100X150	1
8	VT0000877	Rubber buffer	Diameter: 63 mm, Length: 53 mm	1
8	VT0001033	Rubber buffer M12, C = 35 mm	Diameter: 80 mm, Length: 68 mm	1
8	VT0001730	Rubber buffer M12, C = 35 mm	Diameter: 100 mm, Length: 85 mm,	1
9	VT0004355	Cap	D100	1

3. END CARRIAGE - GTR14-GRN14 - Diam. 140 mm



End carriage – GTR14 – GRN14

Item	Reference	Description	Observation	Quantity
1	<u>VT0004623</u>	Wheel set; Driving	Groove width 54 mm	1
1	<u>VT0004624</u>	Wheel set; Driving	Groove width 59 mm	1
1	<u>VT0004625</u>	Wheel set; Driving	Groove width 64 mm	1
1	<u>VT0004626</u>	Wheel set; Driving	Groove width 69 mm	1
1	<u>VT0004627</u>	Wheel set; Driving	Groove width 74 mm	1
1	<u>VT0004628</u>	Wheel set; Driving	Groove width 79 mm	1
1	<u>VT0004629</u>	Wheel set; Driving	Groove width 84 mm	1
1	<u>VT0004630</u>	Wheel set; Driving	Groove width 00	1
1	<u>VT0014863</u>	Wheel set; Driving	Groove width 00 - Polyurethane	1
1	<u>VT0018231</u>	Wheel set; Driving	Groove width 54 mm - EX - BRASS	1
1	<u>VT0018232</u>	Wheel set; Driving	Groove width 59 mm - EX - BRASS	1
1	<u>VT0018233</u>	Wheel set; Driving	Groove width 64 mm - EX - BRASS	1
1	<u>VT0018234</u>	Wheel set; Driving	Groove width 69 mm - EX - BRASS	1
1	<u>VT0018235</u>	Wheel set; Driving	Groove width 74 mm - EX - BRASS	1
1	<u>VT0018236</u>	Wheel set; Driving	Groove width 79 mm - EX - BRASS	1
1	<u>VT0018237</u>	Wheel set; Driving	Groove width 84 mm - EX - BRASS	1
1	<u>VT0018238</u>	Wheel set; Driving	Groove width 00 - EX - BRASS	1
2	<u>VT0004631</u>	Bearing house		1
3	<u>VT0001599</u>	Bearing set		1
4	<u>VT0004607</u>	Travel wheel; Driving	Groove width 54 mm	1
4	<u>VT0004608</u>	Travel wheel; Driving	Groove width 59 mm	1
4	<u>VT0004609</u>	Travel wheel; Driving	Groove width 64 mm	1
4	<u>VT0004610</u>	Travel wheel; Driving	Groove width 69 mm	1
4	<u>VT0004611</u>	Travel wheel; Driving	Groove width 74 mm	1
4	<u>VT0004612</u>	Travel wheel; Driving	Groove width 79 mm	1
4	<u>VT0004613</u>	Travel wheel; Driving	Groove width 84 mm	1
4	<u>VT0004614</u>	Travel wheel; Driving	Groove width 00	1
4	<u>VT0014861</u>	Travel wheel; Driving	Groove width 00 - Polyurethane	1

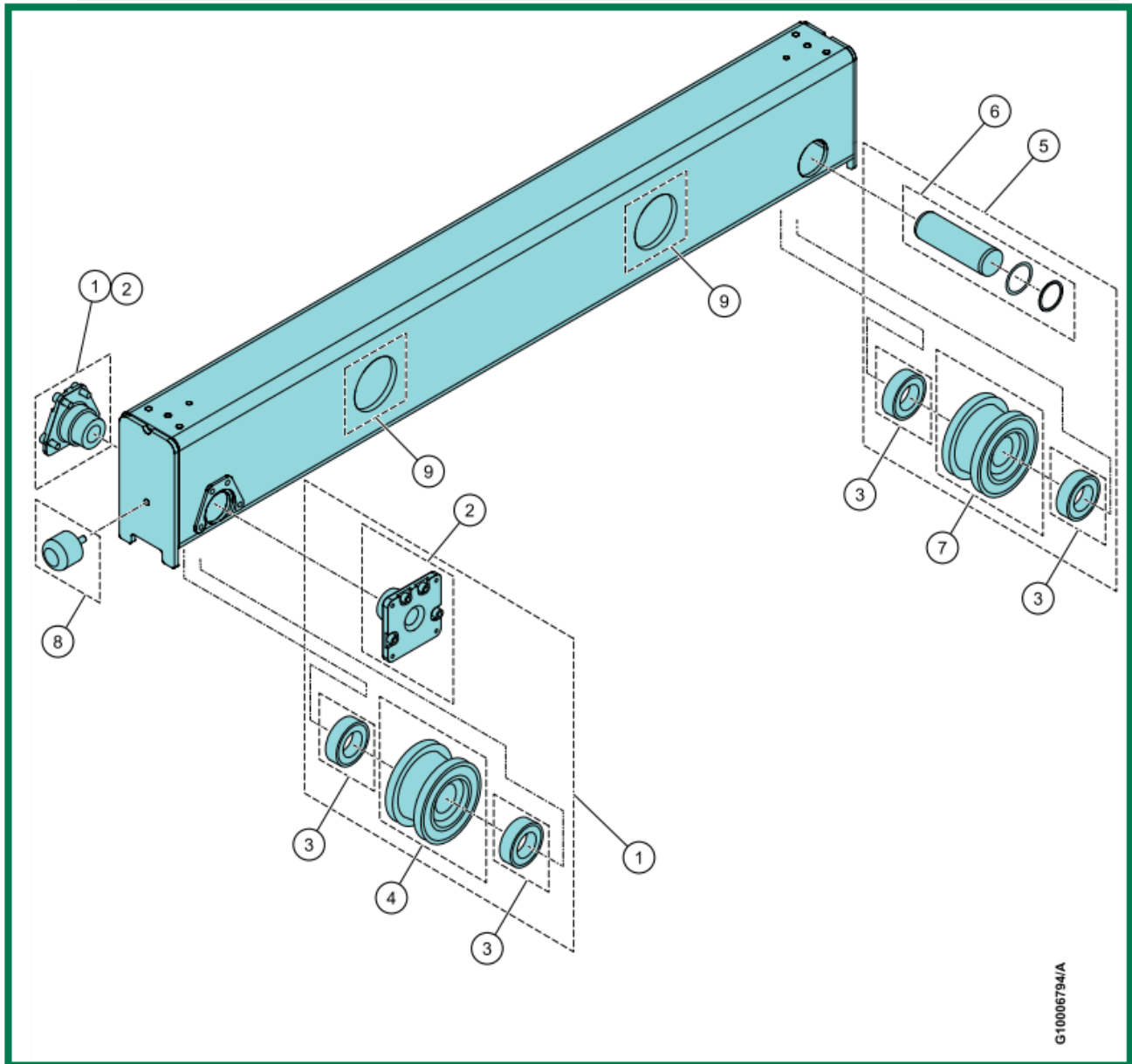
End carriage – GTR14 – GRN14

Item	Reference	Description	Observation	Quantity
4	VT0018239	Travel wheel	Groove width 54 mm - EX - BRASS	1
4	VT0018240	Travel wheel	Groove width 59 mm - EX - BRASS	1
4	VT0018241	Travel wheel	Groove width 64 mm - EX - BRASS	1
4	VT0018242	Travel wheel	Groove width 69 mm - EX - BRASS	1
4	VT0018243	Travel wheel	Groove width 74 mm - EX - BRASS	1
4	VT0018244	Travel wheel	Groove width 79 mm - EX - BRASS	1
4	VT0018245	Travel wheel	Groove width 84 mm - EX - BRASS	1
4	VT0018246	Travel wheel	Groove width 00	1
5	VT0004632	Wheel set; Idle	Groove width 54 mm	1
5	VT0004633	Wheel set; Idle	Groove width 59 mm	1
5	VT0004634	Wheel set; Idle	Groove width 64 mm	1
5	VT0004635	Wheel set; Idle	Groove width 69 mm	1
5	VT0004636	Wheel set; Idle	Groove width 74 mm	1
5	VT0004637	Wheel set; Idle	Groove width 79 mm	1
5	VT0004638	Wheel set; Idle	Groove width 84 mm	1
5	VT0004639	Wheel set; Idle	Groove width 00	1
5	VT0014864	Wheel set; Idle	Groove width 00 Polyurethane	1
5	VT0018247	Wheel set; Idle	Groove width 54 mm - EX - BRASS	1
5	VT0018248	Wheel set; Idle	Groove width 59 mm - EX - BRASS	1
5	VT0018249	Wheel set; Idle	Groove width 64 mm - EX - BRASS	1
5	VT0018250	Wheel set; Idle	Groove width 69 mm - EX - BRASS	1
5	VT0018251	Wheel set; Idle	Groove width 74 mm - EX - BRASS	1
5	VT0018252	Wheel set; Idle	Groove width 79 mm - EX - BRASS	1
5	VT0018253	Wheel set; Idle	Groove width 84 mm - EX - BRASS	1
5	VT0018254	Wheel set; Idle	Groove width 00	1
6	VT0004640	Shaft set		1

End carriage – GTR14 – GRN14

Item	Reference	Description	Observation	Quantity
7	VT0004615	Travel wheel; Idle	Groove width 54 mm	1
7	VT0004616	Travel wheel; Idle	Groove width 59 mm	1
7	VT0004617	Travel wheel; Idle	Groove width 64 mm	1
7	VT0004618	Travel wheel; Idle	Groove width 69 mm	1
7	VT0004619	Travel wheel; Idle	Groove width 74 mm	1
7	VT0004620	Travel wheel; Idle	Groove width 79 mm	1
7	VT0004621	Travel wheel; Idle	Groove width 84 mm	1
7	VT0004622	Travel wheel; Idle	Groove width 00	1
7	VT0014862	Travel wheel; Idle	Groove width 00 - Polyurethane	1
7	VT0018255	Travel wheel; Idle	Groove width 54 mm - EX - BRASS	1
7	VT0018256	Travel wheel; Idle	Groove width 59 mm - EX - BRASS	1
7	VT0018257	Travel wheel; Idle	Groove width 64 mm - EX - BRASS	1
7	VT0018258	Travel wheel; Idle	Groove width 69 mm - EX - BRASS	1
7	VT0018259	Travel wheel; Idle	Groove width 74 mm - EX - BRASS	1
7	VT0018260	Travel wheel; Idle	Groove width 79 mm - EX - BRASS	1
7	VT0018261	Travel wheel; Idle	Groove width 84 mm - EX - BRASS	1
7	VT0018262	Travel wheel; Idle	Groove width 00 - EX - BRASS	1
8	VT0000877	Rubber buffer	Diameter: 63 mm - Length: 53 mm	1
8	VT0001033	Rubber buffer - M12 – C 35mm	Diameter: 80 mm - Length: 68 mm	1
8	VT0001730	Rubber buffer - M12 – C 35mm	Diameter: 100 mm - Length: 85 mm,	1
8	VT0001731	Rubber buffer - M12 – C 34mm	Diameter: 100 mm - Length: 85 mm,	1
8	VT0004003	Polyurethane Buffer	80X80	1
8	VT0001722	Polyurethane Buffer	100X100	1
8	VT0001723	Polyurethane Buffer	100X150	1
8	VT0001724	Polyurethane Buffer	125X125	1
8	VT0001725	Polyurethane Buffer	125X190	1
8	VT0001726	Polyurethane Buffer	160X160	1
8	VT0001727	Polyurethane Buffer	160X240	1
9	VT0004355	Cap	D100	1

4. END CARRIAGE - GTR16-GRN16 - Diam. 160 mm



End carriage – GTR16-GRN16

Item	Reference	Description	Observation	Quantity
1	VT0004467	Travel wheel; Driving	Groove width 54 mm	1
1	VT0004468	Travel wheel; Driving	Groove width 59 mm	1
1	VT0004469	Travel wheel; Driving	Groove width 64 mm	1
1	VT0004470	Travel wheel; Driving	Groove width 69 mm	1
1	VT0004471	Travel wheel; Driving	Groove width 74 mm	1
1	VT0004472	Travel wheel; Driving	Groove width 79 mm	1
1	VT0004473	Travel wheel; Driving	Groove width 84 mm	1
1	VT0004474	Travel wheel; Driving	Groove width 00	1
1	VT0014866	Travel wheel; Driving	Polyurethane	1
1	VT0021561	Travel wheel; Driving	Groove width 54 mm - EX - BRASS	1
1	VT0013902	Travel wheel; Driving	Groove width 59 mm - EX - BRASS	1
1	VT0021562	Travel wheel; Driving	Groove width 64 mm - EX - BRASS	1
1	VT0021563	Travel wheel; Driving	Groove width 69 mm - EX - BRASS	1
1	VT0021564	Travel wheel; Driving	Groove width 74 mm - EX - BRASS	1
1	VT0021565	Travel wheel; Driving	Groove width 79 mm - EX - BRASS	1
1	VT0021566	Travel wheel; Driving	Groove width 84 mm - EX - BRASS	1
1	VT0021567	Travel wheel; Driving	Groove width 00 - EX - BRASS	1
2	VT0005341	Bearing housing		1
3	VT0004476	Bearing set		1
4	VT0004477	Travel wheel ; Driving	Groove width 54 mm	1
4	VT0004478	Travel wheel ; Driving	Groove width 59 mm	1
4	VT0004479	Travel wheel ; Driving	Groove width 64 mm	1
4	VT0004480	Travel wheel ; Driving	Groove width 69 mm	1
4	VT0004481	Travel wheel ; Driving	Groove width 74 mm	1
4	VT0004482	Travel wheel ; Driving	Groove width 79 mm	1
4	VT0004483	Travel wheel ; Driving	Groove width 84 mm	1
4	VT0004484	Travel wheel ; Driving	Groove width 00	1
4	VT0014865	Travel wheel ; Driving	Polyurethane	1
4	VT0013903	Travel wheel ; Driving	Groove width 59 mm	1

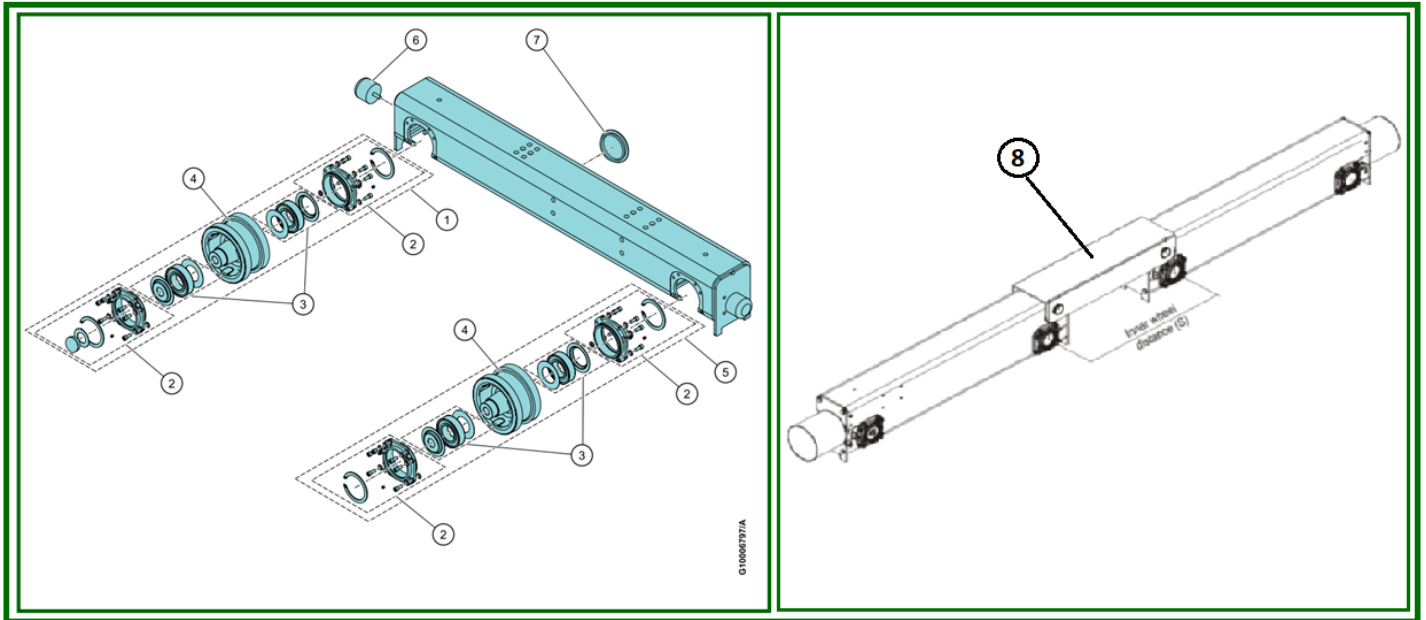
End carriage – GTR16-GRN16

Item	Reference	Description	Observation	Quantity
4	<u>VT0021581</u>	Travel wheel; Driving	Groove width 54 mm - EX - BRASS	1
4	<u>VT0013903</u>	Travel wheel; Driving	Groove width 59 mm - EX - BRASS	1
4	<u>VT0021582</u>	Travel wheel; Driving	Groove width 64 mm - EX - BRASS	1
4	<u>VT0021583</u>	Travel wheel; Driving	Groove width 69 mm - EX - BRASS	1
4	<u>VT0021584</u>	Travel wheel; Driving	Groove width 74 mm - EX - BRASS	1
4	<u>VT0021585</u>	Travel wheel; Driving	Groove width 79 mm - EX - BRASS	1
4	<u>VT0021586</u>	Travel wheel; Driving	Groove width 84 mm - EX - BRASS	1
4	<u>VT0021587</u>	Travel wheel; Driving	Groove width 00 - EX - BRASS	1
5	<u>VT0004485</u>	Travel wheel; Idle	Groove width 54 mm	1
5	<u>VT0004486</u>	Travel wheel; Idle	Groove width 59 mm	1
5	<u>VT0004487</u>	Travel wheel; Idle	Groove width 64 mm	1
5	<u>VT0004488</u>	Travel wheel; Idle	Groove width 69 mm	1
5	<u>VT0004489</u>	Travel wheel; Idle	Groove width 74 mm	1
5	<u>VT0004490</u>	Travel wheel; Idle	Groove width 79 mm	1
5	<u>VT0004491</u>	Travel wheel; Idle	Groove width 84 mm	1
5	<u>VT0004492</u>	Travel wheel; Idle	Groove width 00	1
5	<u>VT0014868</u>	Travel wheel; Idle	Polyurethane	1
5	<u>VT0021588</u>	Travel wheel; Idle	Groove width 54 mm - EX - BRASS	1
5	<u>VT0013904</u>	Travel wheel; Idle	Groove width 59 mm - EX - BRASS	1
5	<u>VT0021687</u>	Travel wheel; Idle	Groove width 64 mm - EX - BRASS	1
5	<u>VT0021688</u>	Travel wheel; Idle	Groove width 69 mm - EX - BRASS	1
5	<u>VT0021689</u>	Travel wheel; Idle	Groove width 74 mm - EX - BRASS	1
5	<u>VT0021690</u>	Travel wheel; Idle	Groove width 79 mm - EX - BRASS	1
5	<u>VT0021691</u>	Travel wheel; Idle	Groove width 84 mm - EX - BRASS	1
5	<u>VT0021692</u>	Travel wheel; Idle	Groove width 00 - EX - BRASS	1
6	<u>VT0004501</u>	Shaft		1

End carriage – GTR16-GRN16

Item	Reference	Description	Observation	Quantity
7	VT0004493	Travel wheel; Idle	Groove width 54 mm	1
7	VT0004494	Travel wheel; Idle	Groove width 59 mm	1
7	VT0004495	Travel wheel; Idle	Groove width 64 mm	1
7	VT0004496	Travel wheel; Idle	Groove width 69 mm	1
7	VT0004497	Travel wheel; Idle	Groove width 74 mm	1
7	VT0004498	Travel wheel; Idle	Groove width 79 mm	1
7	VT0004499	Travel wheel; Idle	Groove width 84 mm	1
7	VT0004500	Travel wheel; Idle	Groove width 00	1
7	VT0014867	Travel wheel; Idle	Groove width 00 Polyurethane	1
7	VT0021608	Travel wheel	Groove width 54 mm - EX - BRASS	1
7	VT0013905	Travel wheel	Groove width 59 mm - EX - BRASS	1
7	VT0021609	Travel wheel	Groove width 64 mm - EX - BRASS	1
7	VT0021610	Travel wheel	Groove width 69 mm - EX - BRASS	1
7	VT0021611	Travel wheel	Groove width 74 mm - EX - BRASS	1
7	VT0021613	Travel wheel	Groove width 79 mm - EX - BRASS	1
7	VT0021615	Travel wheel	Groove width 84 mm - EX - BRASS	1
7	VT0021616	Travel wheel	Groove width 00 - EX - BRASS	1
8	VT0000877	Rubber buffer	Diameter: 63 mm - Length: 53 mm	1
8	VT0001033	Rubber buffer M12, C = 35 mm	Diameter: 80 mm - Length: 68 mm	1
8	VT0001730	Rubber buffer M12, C = 35 mm	Diameter: 100 mm - Length: 85 mm,	1
8	VT0001731	Rubber buffer M12 - C 34mm	Diameter: 100 mm - Length: 85 mm,	1
8	VT0004003	Polyurethane buffer	80X80	1
8	VT0001722	Polyurethane buffer	100X100	1
8	VT0001723	Polyurethane buffer	100X150	1
8	VT0001724	Polyurethane buffer	125X125	1
8	VT0001725	Polyurethane buffer	125X190	1
8	VT0001726	Polyurethane buffer	160X160	1
8	VT0001727	Polyurethane buffer	160X240	1
9	VT0004355	Cap	D100	1

5. END CARRIAGE - GTR20-GTR20B - Diam. 200 mm



End carriage – GTR20-GTR20B

Item	Reference	Description	Observation	Quantity
1	VT0018263	Wheel set; Driving	Polyurethane	1
1	VT0004397	Wheel set; Driving	Groove width 54 mm	1
1	VT0004398	Wheel set; Driving	Groove width 59 mm	1
1	VT0004399	Wheel set; Driving	Groove width 64 mm	1
1	VT0004400	Wheel set; Driving	Groove width 69 mm	1
1	VT0004401	Wheel set; Driving	Groove width 74 mm	1
1	VT0004402	Wheel set; Driving	Groove width 79 mm	1
1	VT0004403	Wheel set; Driving	Groove width 84 mm	1
1	VT0004404	Wheel set; Driving	Groove width 89 mm	1
1	VT0004405	Wheel set; Driving	Groove width 94 mm	1
1	VT0004407	Wheel set; Driving	Groove width 99 mm	1
1	VT0004406	Wheel set; Driving	Groove width 00	1
1	VT0018264	Wheel set; Driving	Groove width 54 mm - EX - BRASS	1
1	VT0018265	Wheel set; Driving	Groove width 59 mm - EX - BRASS	1
1	VT0018266	Wheel set; Driving	Groove width 64 mm - EX - BRASS	1
1	VT0015602	Wheel set; Driving	Groove width 69 mm - EX - BRASS	1
1	VT0018267	Wheel set; Driving	Groove width 74 mm - EX - BRASS	1
1	VT0018268	Wheel set; Driving	Groove width 79 mm - EX - BRASS	1
1	VT0018269	Wheel set; Driving	Groove width 84 mm - EX - BRASS	1
1	VT0018270	Wheel set; Driving	Groove width 89 mm - EX - BRASS	1
1	VT0018271	Wheel set; Driving	Groove width 94 mm - EX - BRASS	1
1	VT0018272	Wheel set; Driving	Groove width 99 mm - EX - BRASS	1
1	VT0018273	Wheel set; Driving	Groove width 00 - EX - BRASS	1
2	VT0004354	Bearing housing		1
3	VT0004123	Bearing set		1
4	VT0018274	Travel wheel -Driving & Idle	Groove width 00 - Polyurethane	1
4	VT0004421	Travel wheel -Driving & Idle	Groove width 54 mm	1
4	VT0004419	Travel wheel -Driving & Idle	Groove width 59 mm	1
4	VT0004420	Travel wheel -Driving & Idle	Groove width 64 mm	1
4	VT0004422	Travel wheel -Driving & Idle	Groove width 69 mm	1

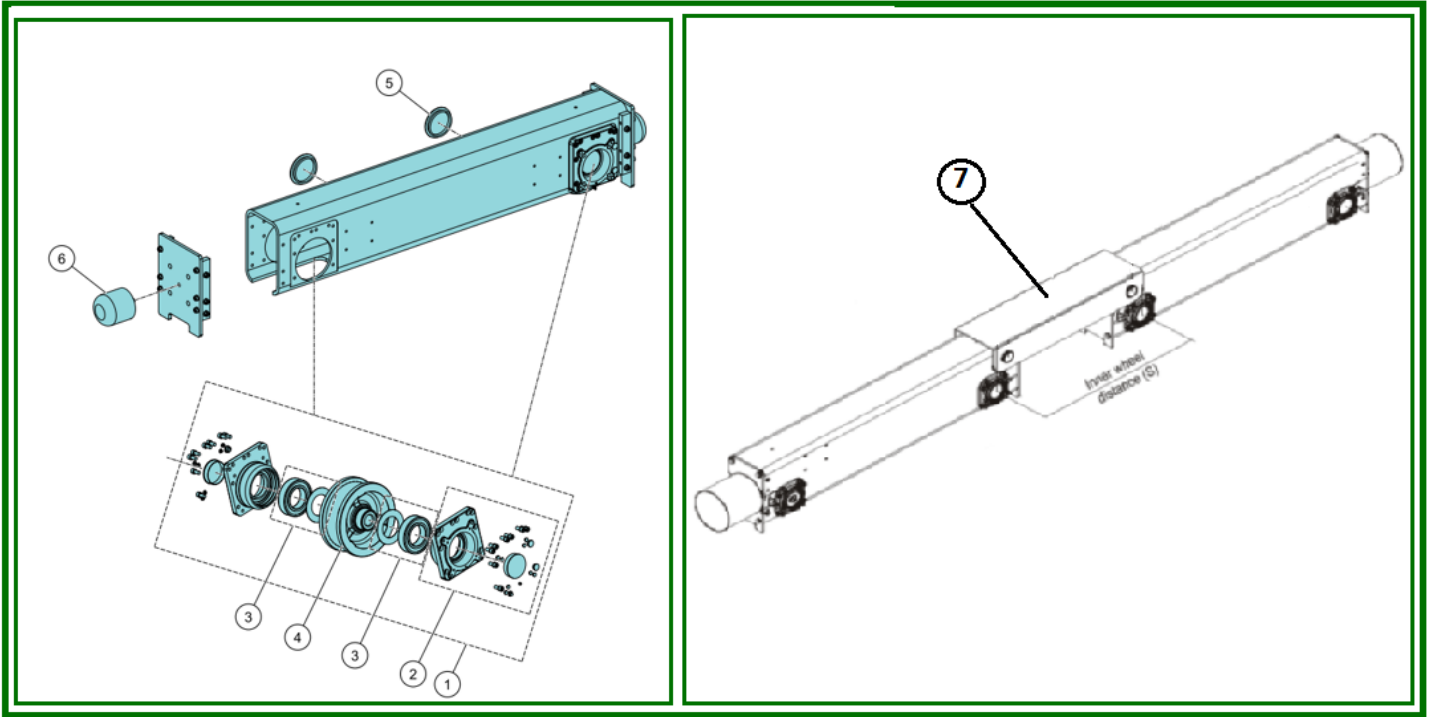
End carriage – GTR20-GTR20B

Item	Reference	Description	Observation	Quantity
4	VT0004423	Travel wheel	Groove width 74 mm	1
4	VT0004424	Travel wheel	Groove width 79 mm	1
4	VT0004425	Travel wheel	Groove width 84 mm	1
4	VT0004426	Travel wheel	Groove width 89 mm	1
4	VT0004427	Travel wheel	Groove width 94 mm	1
4	VT0004428	Travel wheel	Groove width 99 mm	1
4	VT0004429	Travel wheel	Groove width 00	1
4	VT0018275	Travel wheel	Groove width 54 mm - EX - BRASS	1
4	VT0018276	Travel wheel	Groove width 59 mm - EX - BRASS	1
4	VT0018277	Travel wheel	Groove width 64 mm - EX - BRASS	1
4	VT0015603	Travel wheel	Groove width 69 mm - EX - BRASS	1
4	VT0018278	Travel wheel	Groove width 74 mm - EX - BRASS	1
4	VT0018279	Travel wheel	Groove width 79 mm - EX - BRASS	1
4	VT0009666	Travel wheel	Groove width 84 mm - EX - BRASS	1
4	VT0018280	Travel wheel	Groove width 89 mm - EX - BRASS	1
4	VT0018281	Travel wheel	Groove width 94 mm - EX - BRASS	1
4	VT0018282	Travel wheel	Groove width 99 mm - EX - BRASS	1
4	VT0018283	Travel wheel	Groove width 00 - EX - BRASS	1
5	VT0018284	Wheel set; Idle	Polyurethane	1
5	VT0004408	Wheel set; Idle	Groove width 54 mm	1
5	VT0004409	Wheel set; Idle	Groove width 59 mm	1
5	VT0004410	Wheel set; Idle	Groove width 64 mm	1
5	VT0004411	Wheel set; Idle	Groove width 69 mm	1
5	VT0004412	Wheel set; Idle	Groove width 74 mm	1
5	VT0004413	Wheel set; Idle	Groove width 79 mm	1
5	VT0004414	Wheel set; Idle	Groove width 84 mm	1
5	VT0004415	Wheel set; Idle	Groove width 89 mm	1
5	VT0004416	Wheel set; Idle	Groove width 94 mm	1
5	VT0004417	Wheel set; Idle	Groove width 99 mm	1

End carriage – GTR20-GTR20B

Item	Reference	Description	Observation	Quantity
5	VT0004418	Wheel set; Idle	Groove width 00	1
5	VT0018285	Wheel set; Idle	Groove width 54 mm - EX - BRASS	1
5	VT0018286	Wheel set; Idle	Groove width 59 mm - EX - BRASS	1
5	VT0018287	Wheel set; Idle	Groove width 64 mm - EX - BRASS	1
5	VT0015604	Wheel set; Idle	Groove width 69 mm - EX - BRASS	1
5	VT0018288	Wheel set; Idle	Groove width 74 mm - EX - BRASS	1
5	VT0018289	Wheel set; Idle	Groove width 79 mm - EX - BRASS	1
5	VT0018290	Wheel set; Idle	Groove width 84 mm - EX - BRASS	1
5	VT0018291	Wheel set; Idle	Groove width 89 mm - EX - BRASS	1
5	VT0018292	Wheel set; Idle	Groove width 94 mm - EX - BRASS	1
5	VT0018293	Wheel set; Idle	Groove width 99 mm - EX - BRASS	1
5	VT0018294	Wheel set; Idle	Groove width 00 - EX - BRASS	1
6	VT0000877	Rubber buffer	Diameter: 63 mm-Length: 53 mm	1
6	VT0001033	Rubber buffer M12 - C 35mm	Diameter: 80 mm-Length: 68 mm	1
6	VT0001730	Rubber buffer M12 - C 35mm	Diameter: 100 mm-Length: 85 mm	1
6	VT0001731	Rubber buffer M12 - C 34mm	Diameter: 100 mm-Length: 85 mm	1
6	VT0004003	Polyurethane buffer	80X80	1
6	VT0001722	Polyurethane buffer	100X100	1
6	VT0001723	Polyurethane buffer	100X150	1
6	VT0001724	Polyurethane buffer	125X125	1
6	VT0001725	Polyurethane buffer	125X190	1
6	VT0001726	Polyurethane buffer	160X160	1
6	VT0001727	Polyurethane buffer	160X240	1
6	VT0001728	Polyurethane buffer	200X200	1
7	VT0004355	Cap	D100	1
8	VT0004134	Shaft	Bogie	1

6. END CARRIAGE - GTR25-GTR25B - Diam. 250 mm



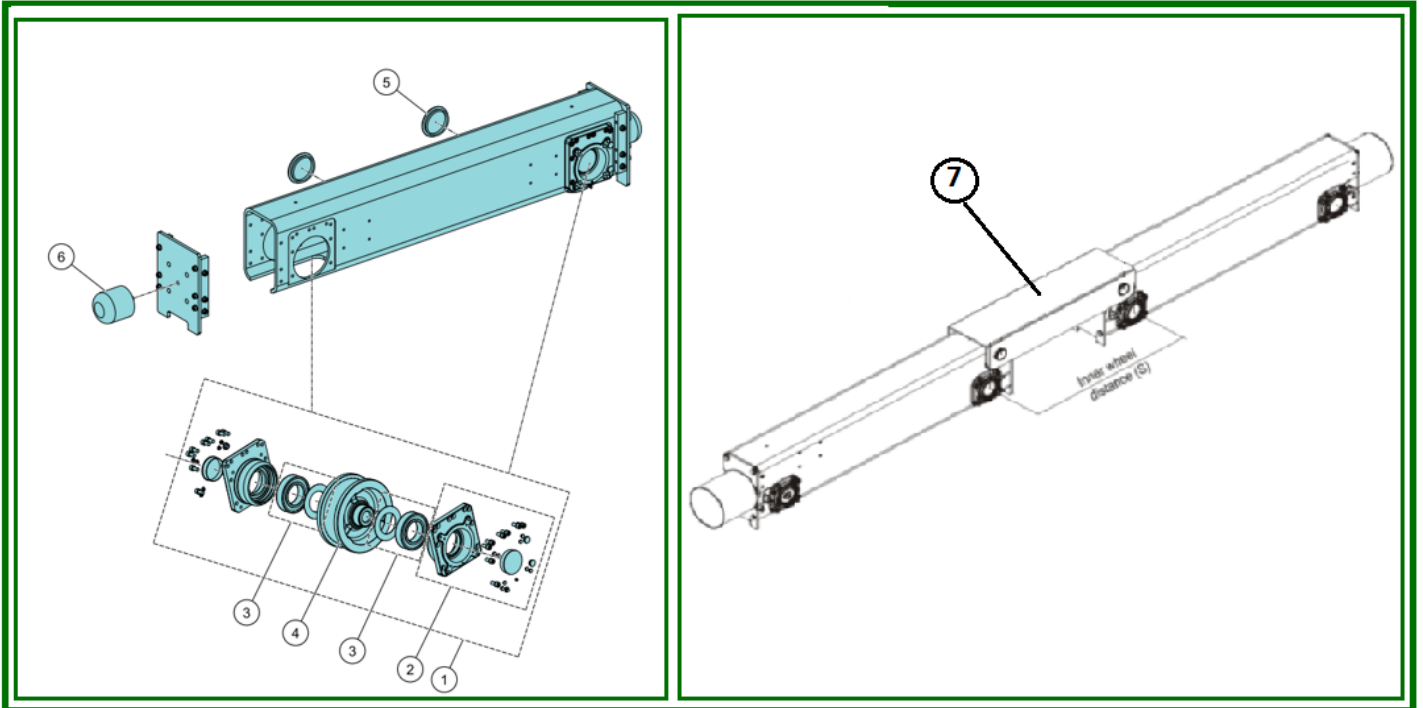
End carriage – GTR25-GTR25B

Item	Reference	Description	Observation	Quantity
1	VT0009464	Travel wheel	Groove width 54 mm	1
1	VT0009465	Travel wheel	Groove width 59 mm	1
1	VT0009466	Travel wheel	Groove width 64 mm	1
1	VT0009467	Travel wheel	Groove width 69 mm	1
1	VT0009468	Travel wheel	Groove width 74 mm	1
1	VT0009470	Travel wheel	Groove width 84 mm	1
1	VT0009472	Travel wheel	Groove width 89 mm	1
1	VT0009460	Travel wheel	Groove width 94 mm	1
1	VT0009462	Travel wheel	Groove width 99 mm	1
1	VT0009471	Travel wheel	Groove width 00	1
1	VT0014842	Travel wheel	Polyurethane	1
1	VT0018295	Travel wheel	Groove width 54 mm - EX - BRASS	1
1	VT0018296	Travel wheel	Groove width 59 mm - EX - BRASS	1
1	VT0018297	Travel wheel	Groove width 64 mm - EX - BRASS	1
1	VT0016201	Travel wheel	Groove width 69 mm - EX - BRASS	1
1	VT0018298	Travel wheel	Groove width 74 mm - EX - BRASS	1
1	VT0018299	Travel wheel	Groove width 79 mm - EX - BRASS	1
1	VT0018300	Travel wheel	Groove width 84 mm - EX - BRASS	1
1	VT0018301	Travel wheel	Groove width 89 mm - EX - BRASS	1
1	VT0018302	Travel wheel	Groove width 94 mm - EX - BRASS	1
1	VT0018303	Travel wheel	Groove width 99 mm - EX - BRASS	1
1	VT0018304	Travel wheel	Groove width 00 - EX - BRASS	1
2	VT0004360	Bearing housing		1
3	VT0004361	Bearing ; Roller bearing		1
4	VT0009473	Travel wheel; Driving	Groove width 54 mm	1
4	VT0009474	Travel wheel; Driving	Groove width 59 mm	1
4	VT0009475	Travel wheel; Driving	Groove width 64 mm	1
4	VT0009476	Travel wheel; Driving	Groove width 69 mm	1
4	VT0009477	Travel wheel; Driving	Groove width 74 mm	1
4	VT0009478	Travel wheel; Driving	Groove width 79 mm	1
4	VT0009479	Travel wheel; Driving	Groove width 84 mm	1
4	VT0009480	Travel wheel; Driving	Groove width 89 mm	1
4	VT0009461	Travel wheel; Driving	Groove width 94 mm	1
4	VT0009463	Travel wheel; Driving	Groove width 99 mm	1
4	VT0009481	Travel wheel; Driving	Groove width 00 mm	1

End carriage – GTR25-GTR25B

Item	Reference	Description	Observation	Quantity
4	VT0014841	Travel wheel	Polyurethane	1
4	VT0018305	Travel wheel	Groove width 54 mm - EX - BRASS	1
4	VT0018306	Travel wheel	Groove width 59 mm - EX - BRASS	1
4	VT0016202	Travel wheel	Groove width 69 mm - EX - BRASS	1
4	VT0018307	Travel wheel	Groove width 74 mm - EX - BRASS	1
4	VT0018308	Travel wheel	Groove width 79 mm - EX - BRASS	1
4	VT0018309	Travel wheel	Groove width 84 mm - EX - BRASS	1
4	VT0018310	Travel wheel	Groove width 89 - EX - BRASS	1
4	VT0018311	Travel wheel	Groove width 94 - EX - BRASS	1
4	VT0018312	Travel wheel	Groove width 99 - EX - BRASS	1
4	VT0018313	Travel wheel	Groove width 00 - EX - BRASS	1
5	VT0004355	Cap	D100	1
6	VT0000877	Rubber buffer	Diameter: 63 mm, Length: 53 mm	1
6	VT0001033	Rubber buffer M12, C 35 mm	Diameter: 80 mm, Length: 68 mm	1
6	VT0001730	Rubber buffer M12, C 35 mm	Diameter: 100 mm, Length: 85 mm	1
6	VT0001731	Rubber buffer M12, C 34mm	Diameter: 100 mm - Length: 85 mm	1
6	VT0004003	Polyurethane buffer	80X80	1
6	VT0001722	Polyurethane buffer	100X100	1
6	VT0001723	Polyurethane buffer	100X150	1
6	VT0001724	Polyurethane buffer	125X125	1
6	VT0001725	Polyurethane buffer	125X190	1
6	VT0001726	Polyurethane buffer	160X160	1
6	VT0001727	Polyurethane buffer	160X240	1
6	VT0001728	Polyurethane buffer	200X200	1
6	VT0001729	Polyurethane buffer	200X300	1
7	VT0004362	Shaft - Trolley	Bogie - Edge	1
7	VT0009133	Shaft - Bridge	Bogie	1

7. END CARRIAGE - GTR32-GTR32B - Diam. 320 mm



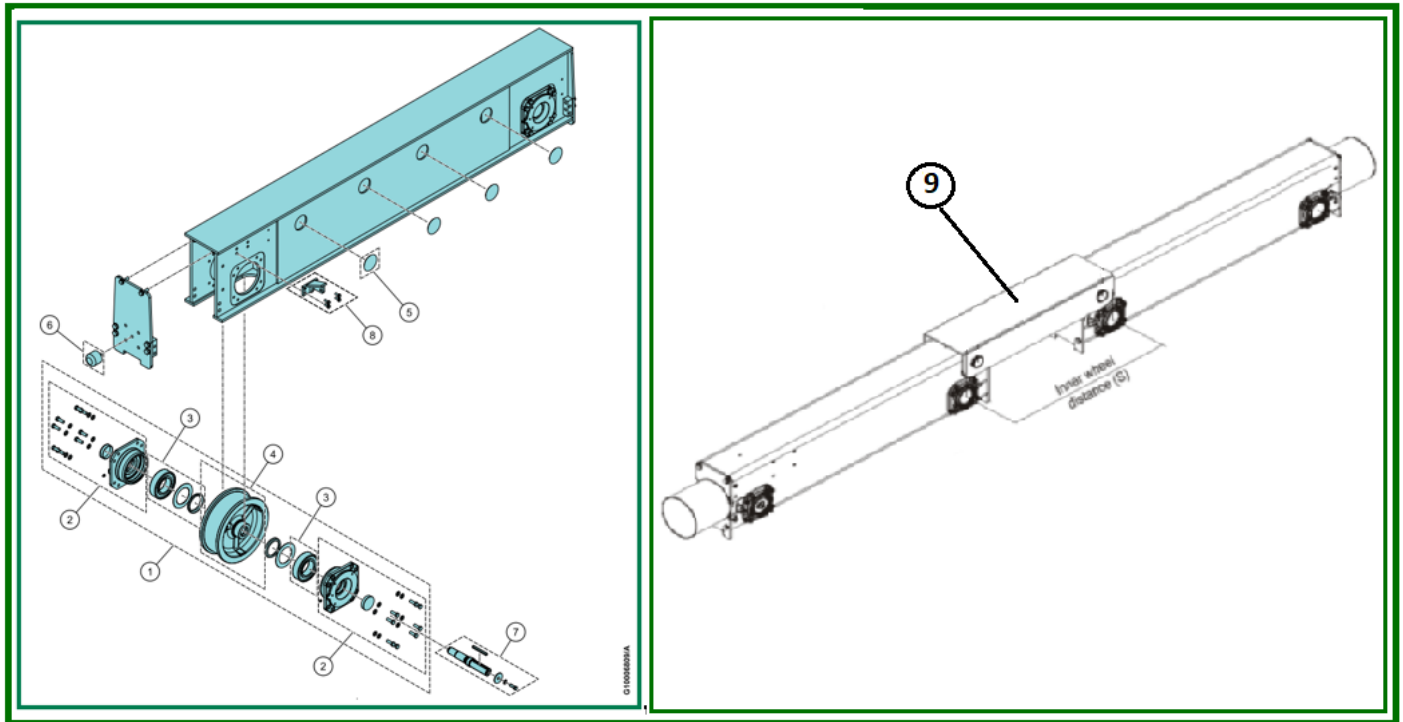
End carriage – GTR32-GTR32B

Item	Reference	Description	Observation	Quantity
1	<u>VT0004363</u>	Complete travel wheel	Groove width 64 mm	1
1	<u>VT0004364</u>	Complete travel wheel	Groove width 69 mm	1
1	<u>VT0004365</u>	Complete travel wheel	Groove width 74 mm	1
1	<u>VT0004366</u>	Complete travel wheel	Groove width 79 mm	1
1	<u>VT0004367</u>	Complete travel wheel	Groove width 84 mm	1
1	<u>VT0004368</u>	Complete travel wheel	Groove width 89 mm	1
1	<u>VT0004369</u>	Complete travel wheel	Groove width 94 mm	1
1	<u>VT0004371</u>	Complete travel wheel	Groove width 99 mm	1
1	<u>VT0004370</u>	Complete travel wheel	Groove width 00	1
1	<u>VT0014844</u>	Complete travel wheel	Polyurethane	1
2	<u>VT0004730</u>	Bearing housing		1
3	<u>VT0004014</u>	Bearing set		1
4	<u>VT0004372</u>	Travel wheel	Groove width 64 mm	1
4	<u>VT0004373</u>	Travel wheel	Groove width 69 mm	1
4	<u>VT0004374</u>	Travel wheel	Groove width 74 mm	1
4	<u>VT0004375</u>	Travel wheel	Groove width 79 mm	1
4	<u>VT0004376</u>	Travel wheel	Groove width 84 mm	1
4	<u>VT0004377</u>	Travel wheel	Groove width 89 mm	1
4	<u>VT0004378</u>	Travel wheel	Groove width 94 mm	1
4	<u>VT0004380</u>	Travel wheel	Groove width 99 mm	1
4	<u>VT0004379</u>	Travel wheel	Groove width 00 mm	1
4	<u>VT0014843</u>	Travel wheel	Polyurethane	1
4	<u>VT0021568</u>	Travel wheel	Groove width 64 mm - EX - BRASS	1
4	<u>VT0021569</u>	Travel wheel	Groove width 69 mm - EX - BRASS	1
4	<u>VT0021570</u>	Travel wheel	Groove width 74 mm - EX - BRASS	1
4	<u>VT0021571</u>	Travel wheel	Groove width 79 mm - EX - BRASS	1
4	<u>VT0021572</u>	Travel wheel	Groove width 84 mm - EX - BRASS	1
4	<u>VT0021573</u>	Travel wheel	Groove width 89 mm - EX - BRASS	1
4	<u>VT0021574</u>	Travel wheel	Groove width 94 mm - EX - BRASS	1

End carriage – GTR32-GTR32B

Item	Reference	Description	Observation	Quantity
4	<u>VT0021575</u>	Travel wheel	Groove width 99 mm - EX - BRASS	1
4	<u>VT0021576</u>	Travel wheel	Groove width 00 - EX - BRASS	1
5	<u>VT0004355</u>	Cap	D100	1
6	<u>VT0001033</u>	Rubber buffer M12, C = 35 mm	Diameter: 80 mm, Length: 68 mm	1
6	<u>VT0001730</u>	Rubber buffer M12, C = 35 mm	Diameter: 100 mm, Length: 85 mm,	1
6	<u>VT0001731</u>	Rubber buffer M12 - C 34mm	Diameter: 100 mm, Length: 85 mm,	1
6	<u>VT0001723</u>	Polyurethane buffer	100X150	1
6	<u>VT0001724</u>	Polyurethane buffer	125X125	1
6	<u>VT0001725</u>	Polyurethane buffer	125X190	1
6	<u>VT0001726</u>	Polyurethane buffer	160X160	1
6	<u>VT0001727</u>	Polyurethane buffer	160X240	1
6	<u>VT0001728</u>	Polyurethane buffer	200X200	1
6	<u>VT0001729</u>	Polyurethane buffer	200X300	1
6	<u>VT0004537</u>	Polyurethane buffer	250X250	1
6	<u>VT0004538</u>	Polyurethane buffer	250X375	1
7	<u>VT0004035</u>	Shaft	Bogie	1

8. END CARRIAGE - GTR40-GTR40B - Diam. 400 mm



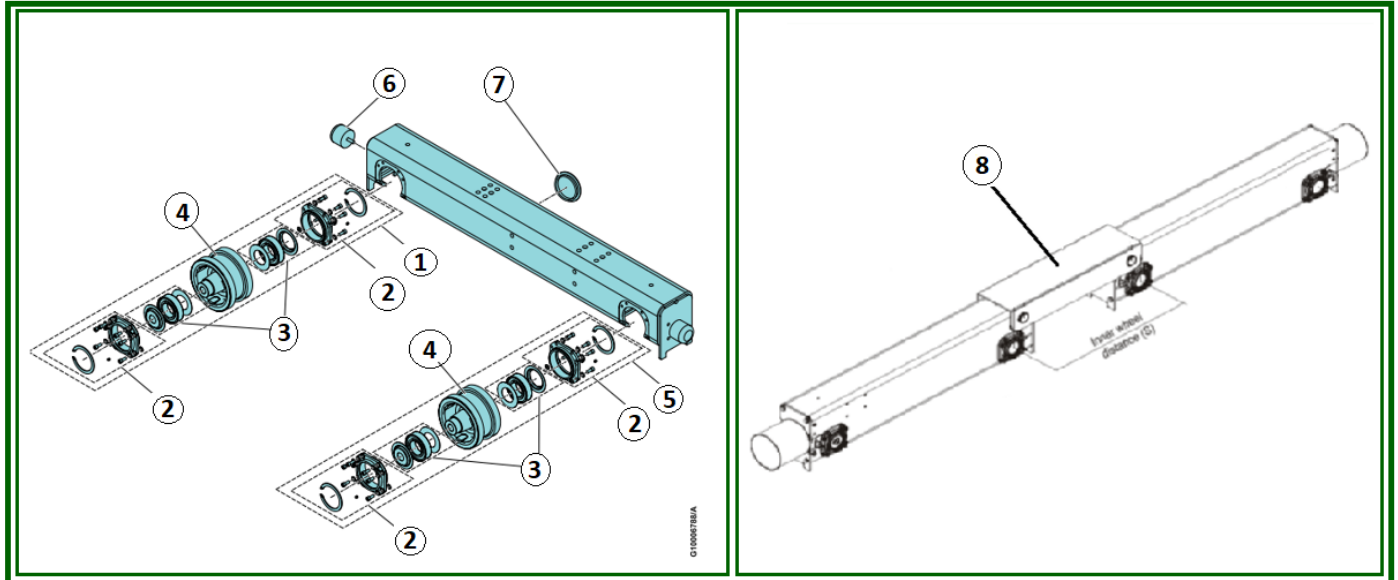
End carriage – GTR40-GTR40B

Item	Reference	Description	Observation	Quantity
1	<u>VT0005495</u>	Travel wheel	Groove width 55 mm	1
1	<u>VT0005496</u>	Travel wheel	Groove width 60 mm	1
1	<u>VT0005497</u>	Travel wheel	Groove width 65 mm	1
1	<u>VT0005498</u>	Travel wheel	Groove width 70 mm	1
1	<u>VT0005499</u>	Travel wheel	Groove width 75 mm	1
1	<u>VT0005500</u>	Travel wheel	Groove width 80 mm	1
1	<u>VT0005501</u>	Travel wheel	Groove width 85 mm	1
1	<u>VT0005502</u>	Travel wheel	Groove width 90 mm	1
1	<u>VT0005503</u>	Travel wheel	Groove width 95 mm	1
1	<u>VT0005504</u>	Travel wheel	Groove width 100 mm	1
1	<u>VT0005505</u>	Travel wheel	Groove width 105 mm	1
1	<u>VT0005506</u>	Travel wheel	Groove width 110 mm	1
1	<u>VT0005507</u>	Travel wheel	Groove width 115 mm	1
1	<u>VT0005508</u>	Travel wheel	Groove width 120 mm	1
1	<u>VT0005509</u>	Travel wheel	Groove width 00	1
2	<u>VT0005510</u>	Bearing housing		1
3	<u>VT0005511</u>	Bearing set		1
4	<u>VT0005512</u>	Travel wheel	Groove width 55 mm	1
4	<u>VT0005513</u>	Travel wheel	Groove width 60 mm	1
4	<u>VT0005514</u>	Travel wheel	Groove width 65 mm	1
4	<u>VT0005515</u>	Travel wheel	Groove width 70 mm	1
4	<u>VT0005516</u>	Travel wheel	Groove width 75 mm	1
4	<u>VT0005517</u>	Travel wheel	Groove width 80 mm	1
4	<u>VT0005518</u>	Travel wheel	Groove width 85 mm	1
4	<u>VT0005519</u>	Travel wheel	Groove width 90 mm	1
4	<u>VT0005520</u>	Travel wheel	Groove width 95 mm	1
4	<u>VT0005521</u>	Travel wheel	Groove width 100 mm	1
4	<u>VT0005523</u>	Travel wheel	Groove width 105 mm	1
4	<u>VT0005522</u>	Travel wheel	Groove width 110 mm	1
4	<u>VT0005524</u>	Travel wheel	Groove width 115 mm	1

End carriage – GTR40-GTR40B

Item	Reference	Description	Observation	Quantity
4	<u>VT0005525</u>	Travel wheel	Groove width 120 mm	1
4	<u>VT0005526</u>	Travel wheel	Groove width 00	1
5	<u>VT0004355</u>	Cap	D100	1
6	<u>VT0001033</u>	Rubber buffer M12, C = 35 mm	Diameter: 80 mm, Length: 68 mm	1
6	<u>VT0001730</u>	Rubber buffer M12, C = 35 mm	Diameter: 100 mm, Length: 85 mm	1
6	<u>VT0001731</u>	Rubber buffer M12, C 34mm	Diameter: 100 mm, Length: 85 mm	1
6	<u>VT0001723</u>	Polyurethane buffer	100X150	1
6	<u>VT0001724</u>	Polyurethane buffer	125X125	1
6	<u>VT0001725</u>	Polyurethane buffer	125X190	1
6	<u>VT0001726</u>	Polyurethane buffer	160X160	1
6	<u>VT0001727</u>	Polyurethane buffer	160X240	1
6	<u>VT0001728</u>	Polyurethane buffer	200X200	1
6	<u>VT0001729</u>	Polyurethane buffer	200X300	1
6	<u>VT0004537</u>	Polyurethane buffer	250X250	1
6	<u>VT0004538</u>	Polyurethane buffer	250X375	1
7	<u>VT0009558</u>	Shaft set	Gear : QM06	1
8	<u>VT0009559</u>	Support arm	Gear : QM06	1
9	<u>VT0005527</u>	Shaft	Bogie	1

9. END CARRIAGE - GT50-GT50B - Diam. 500 mm



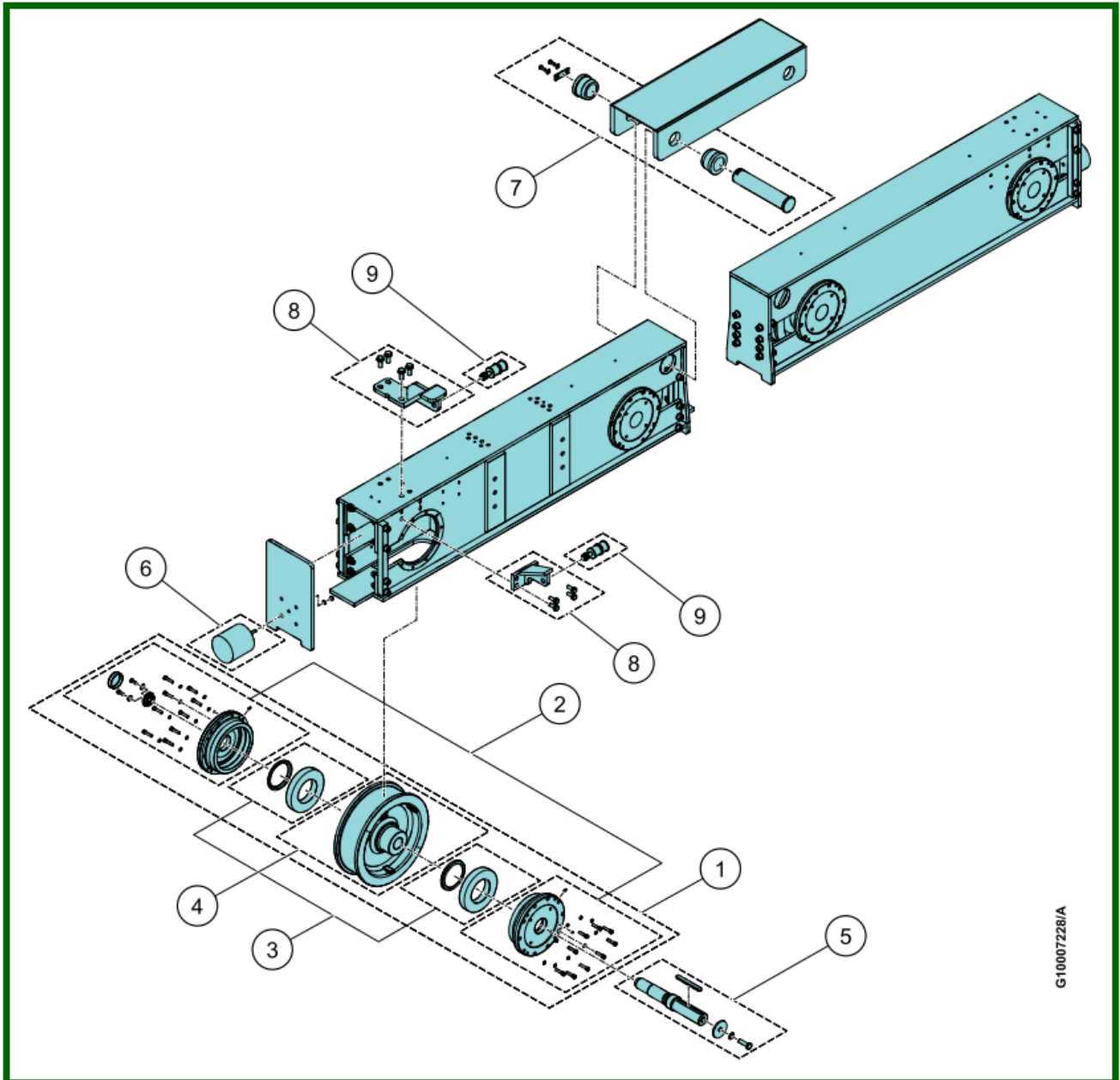
End carriage - GTR50-GTR50B
D500

Item	Reference	Description	Observation	Quantity
1	<u>VT0021661</u>	Travel wheel - Driving	Groove width 55 mm	1
1	<u>VT0021663</u>	Travel wheel - Driving	Groove width 60 mm	1
1	<u>VT0021667</u>	Travel wheel - Driving	Groove width 65 mm	1
1	<u>VT0021668</u>	Travel wheel - Driving	Groove width 70 mm	1
1	<u>VT0021669</u>	Travel wheel - Driving	Groove width 75 mm	1
1	<u>VT0021670</u>	Travel wheel - Driving	Groove width 80 mm	1
1	<u>VT0021671</u>	Travel wheel - Driving	Groove width 85 mm	1
1	<u>VT0021672</u>	Travel wheel - Driving	Groove width 90 mm	1
1	<u>VT0021673</u>	Travel wheel - Driving	Groove width 95 mm	1
1	<u>VT0021674</u>	Travel wheel - Driving	Groove width 100 mm	1
1	<u>VT0021675</u>	Travel wheel - Driving	Groove width 00	1
2	<u>VT0004906</u>	Bearing housing		1
3	<u>VT0001698</u>	Bearing set		1
4	<u>VT0002609</u>	Travel wheel - Driving	Groove width 55 mm	1
4	<u>VT0002610</u>	Travel wheel - Driving	Groove width 60 mm	1
4	<u>VT0002611</u>	Travel wheel - Driving	Groove width 65 mm	1
4	<u>VT0002612</u>	Travel wheel - Driving	Groove width 70 mm	1
4	<u>VT0002613</u>	Travel wheel - Driving	Groove width 75 mm	1
4	<u>VT0002608</u>	Travel wheel - Driving	Groove width 80 mm	1
4	<u>VT0002607</u>	Travel wheel - Driving	Groove width 85 mm	1
4	<u>VT0002614</u>	Travel wheel - Driving	Groove width 90 mm	1
4	<u>VT0002615</u>	Travel wheel - Driving	Groove width 95 mm	1
4	<u>VT0002616</u>	Travel wheel - Driving	Groove width 100 mm	1
4	<u>VT0003488</u>	Travel wheel - Driving	Groove width 00	1

End carriage – GTR50-GTR50B

Item	Reference	Description	Observation	Quantity
5	<u>VT0021676</u>	Travel wheel; Idle	Groove width 55 mm	1
5	<u>VT0021677</u>	Travel wheel; Idle	Groove width 60 mm	1
5	<u>VT0021678</u>	Travel wheel; Idle	Groove width 65 mm	1
5	<u>VT0021679</u>	Travel wheel; Idle	Groove width 70 mm	1
5	<u>VT0021680</u>	Travel wheel; Idle	Groove width 75 mm	1
5	<u>VT0021681</u>	Travel wheel; Idle	Groove width 80 mm	1
5	<u>VT0021682</u>	Travel wheel; Idle	Groove width 85 mm	1
5	<u>VT0021683</u>	Travel wheel; Idle	Groove width 90 mm	1
5	<u>VT0021684</u>	Travel wheel; Idle	Groove width 95 mm	1
5	<u>VT0021685</u>	Travel wheel; Idle	Groove width 100 mm	1
5	<u>VT0021686</u>	Travel wheel; Idle	Groove width 00	1
6	<u>VT0001033</u>	Rubber buffer M12, C 35 mm	Diameter: 80 mm - Length: 68 mm	1
6	<u>VT0001730</u>	Rubber buffer M12, C 35 mm	Diameter: 100 mm - Length: 85 mm	1
6	<u>VT0001731</u>	Rubber buffer M12, C 34mm	Diameter: 100 mm - Length: 85 mm	1
6	<u>VT0004003</u>	Polyurethane buffer	80x80	1
6	<u>VT0001722</u>	Polyurethane buffer	100X100	1
6	<u>VT0001723</u>	Polyurethane buffer	100X150	1
6	<u>VT0001724</u>	Polyurethane buffer	125X125	1
6	<u>VT0001725</u>	Polyurethane buffer	125X190	1
6	<u>VT0001726</u>	Polyurethane buffer	160X160	1
6	<u>VT0001727</u>	Polyurethane buffer	160X240	1
6	<u>VT0001728</u>	Polyurethane buffer	200X200	1
6	<u>VT0001729</u>	Polyurethane buffer	200X300	1
7	<u>VT0004355</u>	Cap	D100	1
8	<u>VT0004907</u>	Shaft	Bogie	1

10. END CARRIAGE - GTR50B - Diam. 500 mm



G10007228/A

End carriage – GTR50B

Item	Reference	Description	Observation	Quantity
1	VT0007889	Travel wheel	Groove width 55 mm – N55 - GES5/QM6	1
1	VT0007890	Travel wheel	Groove width 60 mm – N55 - GES5/QM6	1
1	VT0007891	Travel wheel	Groove width 65 mm – N55 - GES5/QM6	1
1	VT0007892	Travel wheel	Groove width 70 mm – N55 - GES5/QM6	1
1	VT0007893	Travel wheel	Groove width 75 mm – N55 - GES5/QM6	1
1	VT0007894	Travel wheel	Groove width 80 mm – N55 - GES5/QM6	1
1	VT0007895	Travel wheel	Groove width 85 mm – N55 - GES5/QM6	1
1	VT0007896	Travel wheel	Groove width 90 mm – N55 - GES5/QM6	1
1	VT0007897	Travel wheel	Groove width 95 mm – N55 - GES5/QM6	1
1	VT0007898	Travel wheel	Groove width 100 mm – N55 - GES5/QM6	1
1	VT0007899	Travel wheel	Groove width 105 mm – N55 - GES5/QM6	1
1	VT0007900	Travel wheel	Groove width 110 mm – N55 - GES5/QM6	1
1	VT0007901	Travel wheel	Groove width 115 mm – N55 - GES5/QM6	1
1	VT0007902	Travel wheel	Groove width 120 mm – N55 - GES5/QM6	1
1	VT0007903	Travel wheel	D/I 125 – N55 - GES5/QM6	1
1	VT0007904	Travel wheel	D/I 130 – N55 - GES5/QM6	1
1	VT0007905	Travel wheel	Groove width 00 – N55 - GES5/QM6	1
1	VT0007906	Travel wheel	Groove width 55 mm – N65 - QM7	1
1	VT0007907	Travel wheel	Groove width 60 – N65 - QM7	1
1	VT0007908	Travel wheel	Groove width 65 mm – N65 - QM7	1
1	VT0007909	Travel wheel	Groove width 70 mm – N65 - QM7	1
1	VT0007910	Travel wheel	Groove width 75 mm – N65 - QM7	1
1	VT0007911	Travel wheel	Groove width 80 mm – N65 - QM7	1
1	VT0007912	Travel wheel	Groove width 85 mm – N65 - QM7	1
3	VT0007913	Travel wheel	Groove width 90 mm – N65 - QM7	1
4	VT0007914	Travel wheel	Groove width 95 mm – N65 - QM7	1
4	VT0007915	Travel wheel	Groove width 100 mm – N65 - QM7	1
4	VT0007916	Travel wheel	Groove width 105 mm – N65 - QM7	1
4	VT0007917	Travel wheel	Groove width 110 mm – N65 - QM7	1

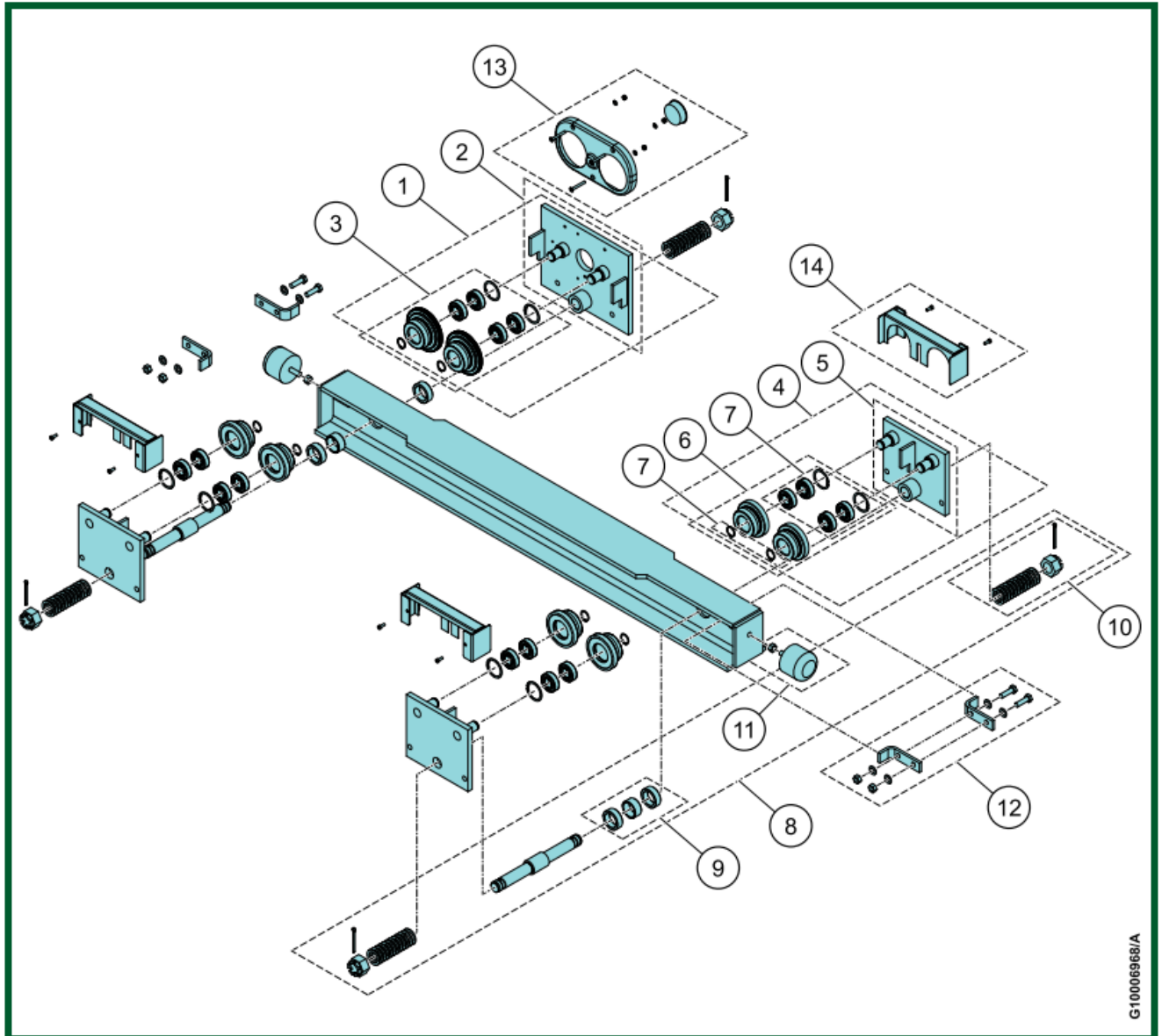
End carriage – GTR50B

Item	Reference	Description	Observation	Quantity
4	VT0007918	Travel wheel	Groove width 115 mm – N65 - QM7	1
4	VT0007919	Travel wheel	Groove width 120 mm – N65 - QM7	1
4	VT0007920	Travel wheel	Groove width 125 mm – N65 - QM7	1
4	VT0007921	Travel wheel	Groove width 130 mm – N65 - QM7	1
4	VT0007922	Travel wheel	Groove width 00 – N65 - QM7	1
2	VT0007923	Bearing housing		1
3	VT0007924	Bearing set		1
4	VT0007925	Travel wheel	Groove width 55 mm – N55 - GES5/QM6	1
4	VT0007926	Travel wheel	Groove width 60 mm – N55 - GES5/QM6	1
4	VT0007927	Travel wheel	Groove width 65 mm – N55 - GES5/QM6	1
4	VT0007928	Travel wheel	Groove width 70 mm – N55 - GES5/QM6	1
4	VT0007929	Travel wheel	Groove width 75 mm – N55 - GES5/QM6	1
4	VT0007930	Travel wheel	Groove width 80 mm – N55 - GES5/QM6	1
4	VT0007931	Travel wheel	Groove width 85 mm – N55 - GES5/QM6	1
4	VT0007932	Travel wheel	Groove width 90 mm – N55 - GES5/QM6	1
4	VT0007933	Travel wheel	Groove width 95 mm – N55 - GES5/QM6	1
4	VT0007934	Travel wheel	Groove width 100 mm – N55 - GES5/QM6	1
4	VT0007935	Travel wheel	Groove width 105 mm – N55 - GES5/QM6	1
4	VT0007936	Travel wheel	Groove width 110 mm – N55 - GES5/QM6	1
4	VT0007937	Travel wheel	Groove width 115 mm – N55 - GES5/QM6	1
4	VT0007938	Travel wheel	Groove width 120 mm – N55 - GES5/QM6	1
4	VT0007939	Travel wheel	Groove width 125 mm – N55 - GES5/QM6	1
4	VT0007940	Travel wheel	Groove width 130 mm – N55 - GES5/QM6	1
4	VT0007941	Travel wheel	Groove width 00 – N55 - GES5/QM6	1
4	VT0007942	Travel wheel	Groove width 55 mm – N65 - QM7	1
4	VT0007943	Travel wheel	Groove width 60 mm – N65 - QM7	1
4	VT0007944	Travel wheel	Groove width 65 mm – N65 - QM7	1
4	VT0007945	Travel wheel	Groove width 70 mm – N65 - QM7	1
4	VT0007946	Travel wheel	Groove width 75 mm – N65 - QM7	1

End carriage – GTR50B

Item	Reference	Description	Observation	Quantity
4	<u>VT0007947</u>	Travel wheel	Groove width 80 mm – N65 - QM7	1
4	<u>VT0007948</u>	Travel wheel	Groove width 85 mm – N65 - QM7	1
4	<u>VT0007949</u>	Travel wheel	Groove width 90 mm – N65 - QM7	1
4	<u>VT0007950</u>	Travel wheel	Groove width 95 mm – N65 - QM7	1
4	<u>VT0007951</u>	Travel wheel	Groove width 100 mm – N65 - QM7	1
4	<u>VT0007952</u>	Travel wheel	Groove width 105 mm – N65 - QM7	1
4	<u>VT0007953</u>	Travel wheel	Groove width 110 mm – N65 - QM7	1
4	<u>VT0007954</u>	Travel wheel	Groove width 115 mm – N65 - QM7	1
4	<u>VT0007955</u>	Travel wheel	Groove width 120 mm – N65 - QM7	1
4	<u>VT0007956</u>	Travel wheel	Groove width 125 mm – N65 - QM7	1
4	<u>VT0007957</u>	Travel wheel	Groove width 130 mm– N65 - QM7	1
4	<u>VT0007958</u>	Travel wheel	Groove width 00 – N65 - QM7	1
5	<u>VT0007959</u>	Shaft set	QM6	1
5	<u>VT0007960</u>	Shaft set	QM7	1
6	<u>VT0001033</u>	Rubber buffer M12, C 35 mm	Diameter: 80 mm, Length: 68 mm	1
6	<u>VT0001730</u>	Rubber buffer M12, C 35 mm	Diameter: 100 mm, Length: 85 mm	1
6	<u>VT0001731</u>	Rubber buffer M12, C 34mm	Diameter: 100 mm, Length: 85 mm	1
6	<u>VT0001723</u>	Polyurethane buffer	100 x 150	1
6	<u>VT0001724</u>	Polyurethane buffer	125 x 125	1
6	<u>VT0001725</u>	Polyurethane buffer	125 x 90	1
6	<u>VT0001726</u>	Polyurethane buffer	160 x 160	1
6	<u>VT0001728</u>	Polyurethane buffer	200 x 200	1
6	<u>VT0001729</u>	Polyurethane buffer	200 x 300	1
7	<u>VT0007962</u>	Shaft set		1
8	<u>VT0007963</u>	Support arm	QM6	1
8	<u>VT0007964</u>	Support arm	QM7	1
9	<u>VT0007965</u>	Fastener	QM6	1
9	<u>VT0007966</u>	Fastener	QM7	1

11. END CARRIAGE - UU8



G10006968/A

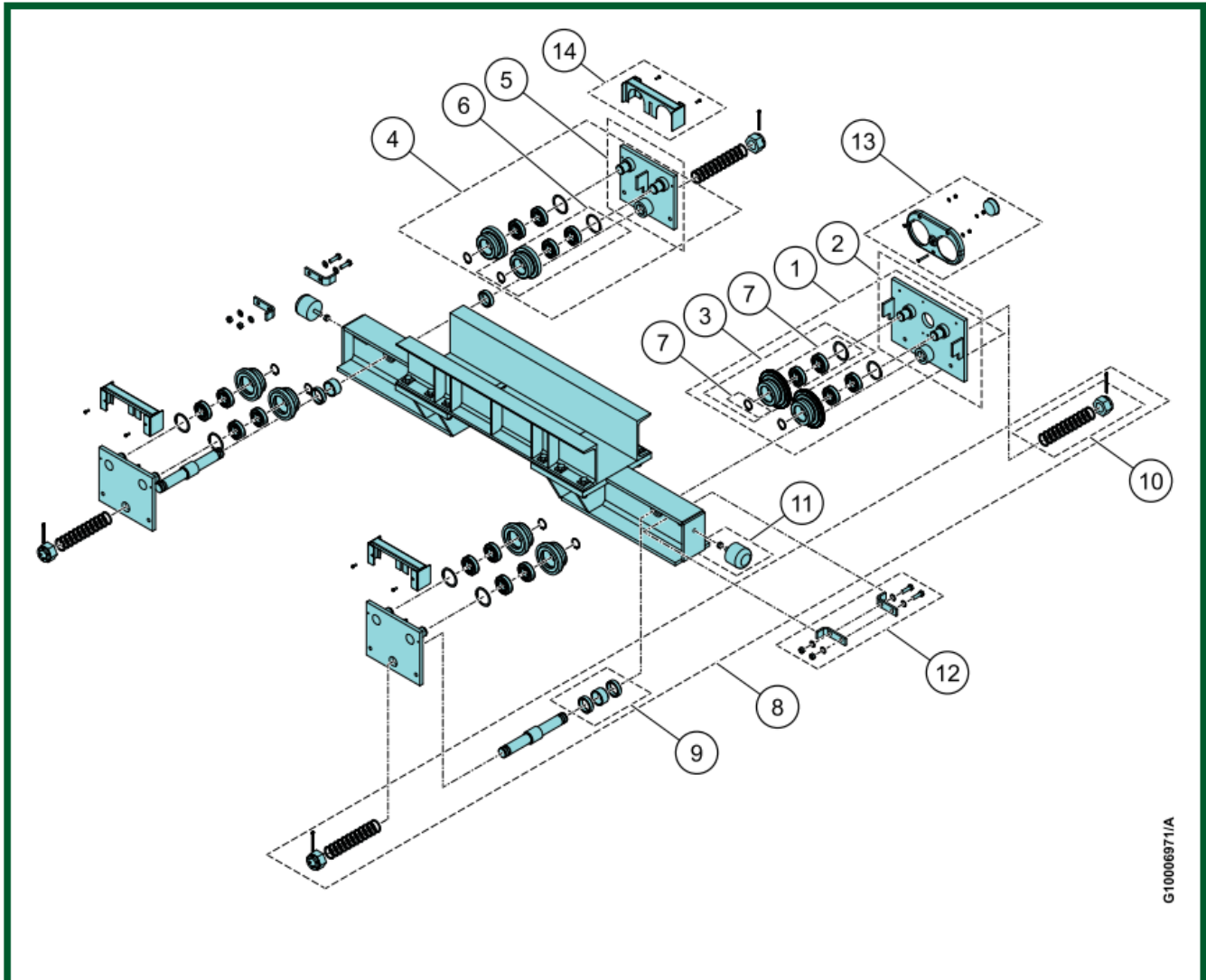
End carriage – UU8

Item	Reference	Description	Observation	Quantity
1	<u>VT0003725</u>	Side plate; Driving	UU08	1
1	<u>VT0003727</u>	Side plate; Driving	UU08 – Patent track	1
2	<u>VT0004554</u>	Side plate wheel; Driving		1
3	<u>VT0003729</u>	Travel wheel; Driving	UU08 – Patent track	1
3	<u>VT0003730</u>	Travel wheel; Driving	UU08	1
4	<u>VT0003726</u>	Side plate; Idle		1
4	<u>VT0003728</u>	Side plate; Idle	UU08 – Patent track	1
5	<u>VT0004556</u>	Side plate; Idle		1
6	<u>VT0003731</u>	Travel wheel; Idle	UU08	1
6	<u>VT0003732</u>	Travel wheel; Idle	UU08 – Idle – Patent track	1
7	<u>VT0003733</u>	Bearing set		1
8	<u>VT0003716</u>	Assembly	BDIM 70-121	1
8	<u>VT0003717</u>	Assembly	BDIM 122-169	1
8	<u>VT0003718</u>	Assembly	BDIM 170-217	1
8	<u>VT0003719</u>	Assembly	BDIM 218-265	1
8	<u>VT0003720</u>	Assembly	BDIM 266-313	1
9	<u>VT0003734</u>	Sleeve set	BDIM 73-121	1
9	<u>VT0003735</u>	Sleeve set	BDIM 122-169	1
9	<u>VT0003736</u>	Sleeve set	BDIM 170-217	1
9	<u>VT0003737</u>	Sleeve set	BDIM 218-265	1
9	<u>VT0003738</u>	Sleeve set	BDIM 266-313	1
10	<u>VT0003739</u>	Fixing set		1
11	<u>VT0004003</u>	Polyurethane Buffer	80 x 80	1
11	<u>VT0000877</u>	Rubber buffer	D1801B	1
11	<u>VT0001033</u>	Rubber buffer	D2240	1
11	<u>VT0001730</u>	Rubber buffer	D2241	1
11	<u>VT0001722</u>	Polyurethane Buffer	100 x 100	1
11	<u>VT0001723</u>	Polyurethane Buffer	100 x 150	1

End carriage – UU8

Item	Reference	Description	Observation	Quantity
12	<u>VT0004110</u>	Assembly		
13	<u>VT0004526</u>	Cover - Driven		1
14	<u>VT0004525</u>	Cover - Idle		1

12. END CARRIAGE - UU10/UR10



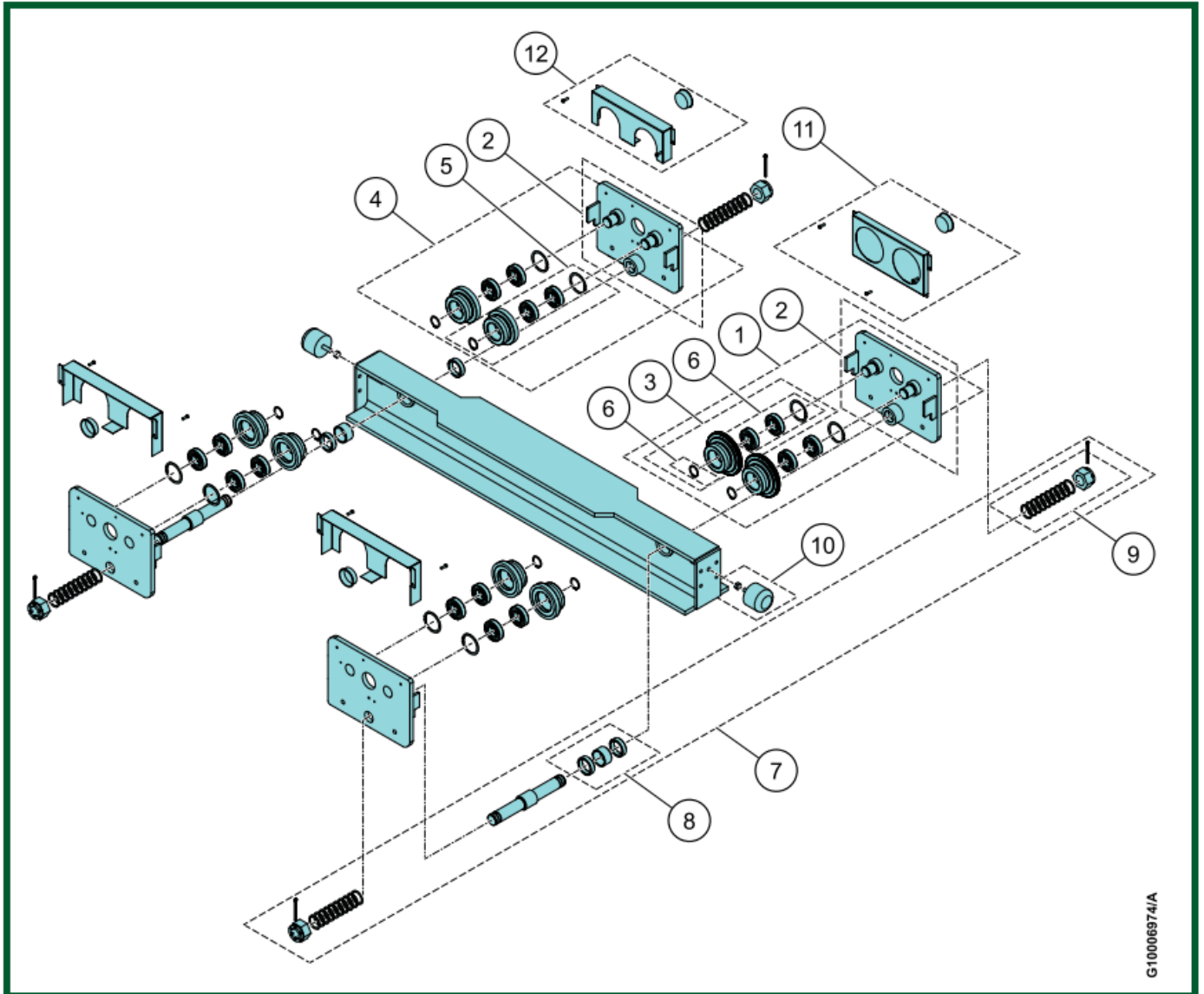
G10006971/A

Item	Reference	Description	Observation	Quantity
1	VT0003870	Side plate; Driving	UU/UR10	1
1	VT0003872	Side plate; Driving	UU/UR10 - Patent track	1
2	VT0003874	Side plate; Driving		1
3	VT0003875	Travel wheel; Driving	UU/UR10	1
3	VT0003877	Travel wheel; Driving	UU/UR10 - Patent track	1
3	VT0023505	Travel wheel; Driving	UU/UR10 - BRASS	
4	VT0003871	Side plate; Idle	UU/UR10	1

End carriage – UU10/UR10

Item	Reference	Description	Observation	Quantity
4	<u>VT0003873</u>	Side plate; Idle	UU/UR10 – Patent track	1
5	<u>VT0003894</u>	Side plate; Idle		1
6	<u>VT0003876</u>	Travel wheel; Idle	UU/UR10	1
6	<u>VT0003878</u>	Travel wheel; Idle	UU/UR10 – Patent track	1
6	<u>VT0023506</u>	Travel wheel; Idle	UU/UR10 - BRASS	1
7	<u>VT0003879</u>	Bearing set		1
8	<u>VT0003880</u>	Sleeve set	BDIM 79-130	1
8	<u>VT0003881</u>	Sleeve set	BDIM 131-178	1
8	<u>VT0003882</u>	Sleeve set	BDIM 179-226	1
8	<u>VT0003883</u>	Sleeve set	BDIM 227-274	1
8	<u>VT0003884</u>	Sleeve set	BDIM 275-322	1
9	<u>VT0003887</u>	Sleeve set	BDIM 79-130	1
9	<u>VT0003888</u>	Sleeve set	BDIM 131-178	1
9	<u>VT0003889</u>	Sleeve set	BDIM 179-226	1
9	<u>VT0003890</u>	Sleeve set	BDIM 227-274	1
9	<u>VT0003891</u>	Sleeve set	BDIM 275-322	1
10	<u>VT0003893</u>	Fixing set		1
11	<u>VT0004003</u>	Polyurethane Buffer	80 x 80	1
11	<u>VT0000877</u>	Rubber buffer	D1801B	1
11	<u>VT0001033</u>	Rubber buffer	D2240	1
11	<u>VT0001730</u>	Rubber buffer	D2241	1
11	<u>VT0001722</u>	Polyurethane Buffer	100 x 100	1
11	<u>VT0001723</u>	Polyurethane Buffer	100 x 150	1
12	<u>VT0004553</u>	Support		
13	<u>VT0004527</u>	Cover - Driven		1
14	<u>VT0004528</u>	Cover - Idle		1

13. END CARRIAGE - UU13/UR13

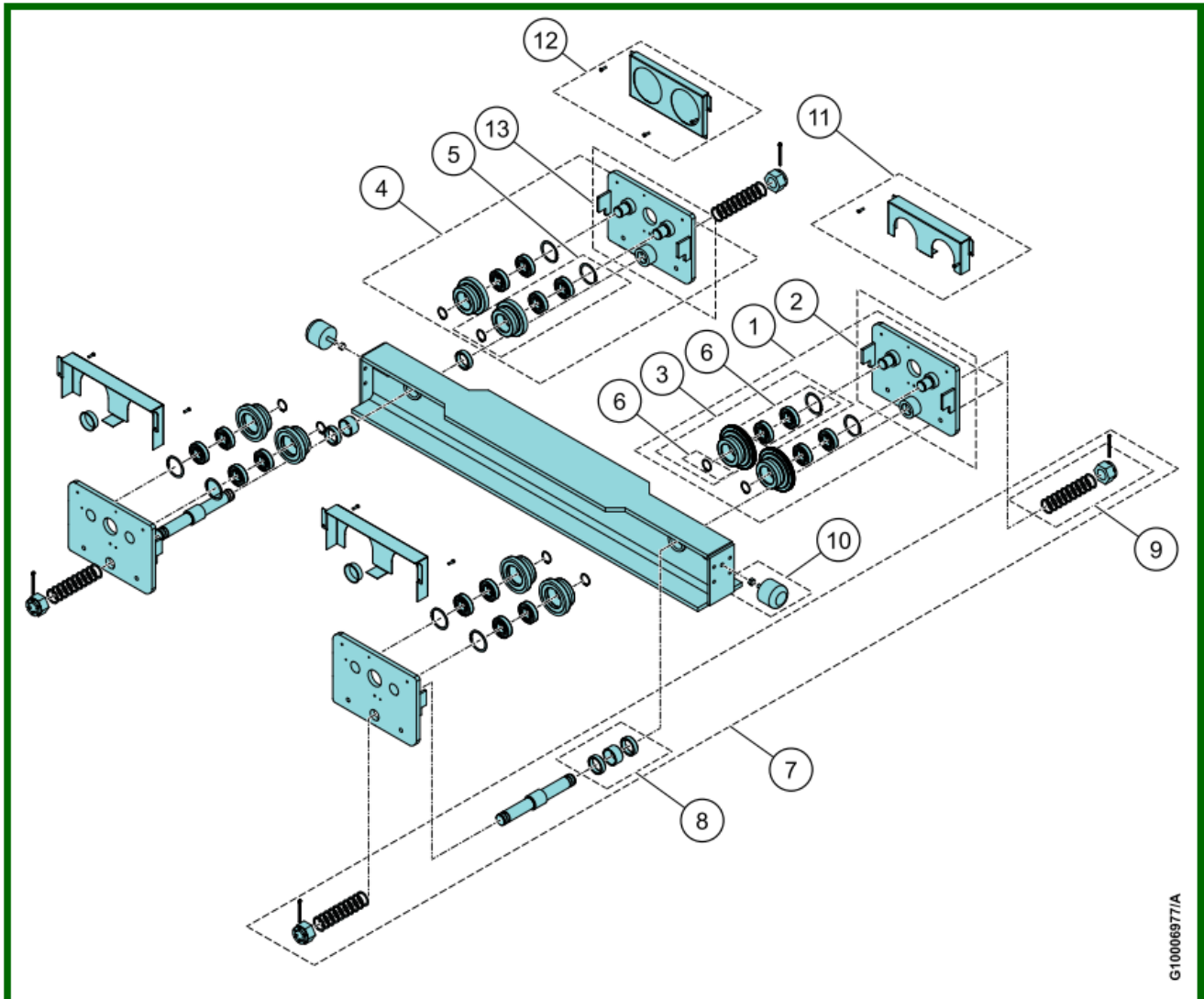


G10006974/A

End carriage – UU13/UR13

Item	Reference	Description	Observation	Quantity
1	<u>VT0004445</u>	Side plate; Idle	UU/UR13 – Patent track	1
1	<u>VT0004444</u>	Side plate; Idle	UU/UR13	1
2	<u>VT0004440</u>	Side plate		1
3	<u>VT0004446</u>	Travel wheel; Idle	UU/UR13	1
3	<u>VT0004447</u>	Travel wheel; Idle	UU/UR13 – Patent track	1
4	<u>VT0004439</u>	Side plate; Driving	UU/UR13	1
4	<u>VT0004441</u>	Side plate;	UU/UR13 – Patent track	1
5	<u>VT0004442</u>	Travel wheel; Driving	UU/UR13	1
5	<u>VT0004443</u>	Travel wheel; Driving	UU/UR13 – Patent track	1
6	<u>VT0004435</u>	Bearing set		1
7	<u>VT0004436</u>	Shaft set	BDIM 264-343	1
7	<u>VT0004533</u>	Shaft set	BDIM 100-183 – (Patent track 64-147)	1
7	<u>VT0004534</u>	Shaft set	BDIM 184-263 – (Patent track 148-227)	1
8	<u>VT0004437</u>	Sleeve set		1
9	<u>VT0004438</u>	Fixing set		1
10	<u>VT0000877</u>	Rubber buffer	D1801B	1
10	<u>VT0001033</u>	Rubber buffer	D2240	1
10	<u>VT0001730</u>	Rubber buffer	D2241	1
10	<u>VT0001731</u>	Rubber buffer	D2242	1
10	<u>VT0004003</u>	Polyurethane Buffer	80 x 80	1
10	<u>VT0001722</u>	Polyurethane Buffer	100 x 100	1
10	<u>VT0001723</u>	Polyurethane Buffer	100 x 150	1
10	<u>VT0001724</u>	Polyurethane Buffer	125 x 125	1
10	<u>VT0001725</u>	Polyurethane Buffer	125 x 190	1
11	<u>VT0004529</u>	Cover – Driven		1
12	<u>VT0004530</u>	Cover - Idle		1

14. END CARRIAGE - UU20/UR20

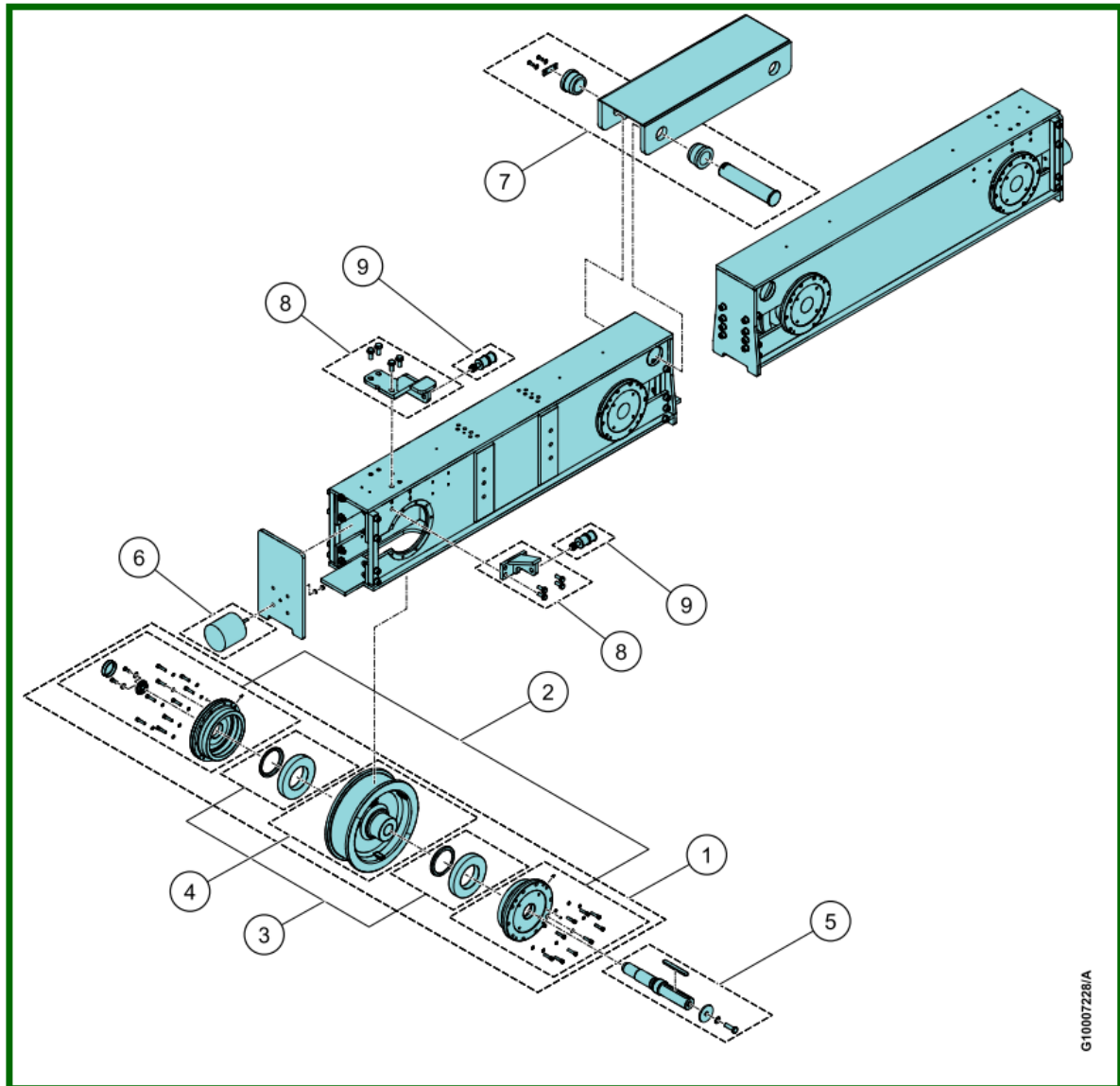


G10006977/A

End carriage – UU20/UR20

Item	Reference	Description	Observation	Quantity
1	<u>VT0005538</u>	Side plate; Idle	UU/UR20	1
2	<u>VT0005539</u>	Side plate; Idle	UU/UR20	1
3	<u>VT0005540</u>	Travel wheel; Idle	UU/UR20	1
4	<u>VT0005541</u>	Side plate; Driving	UU/UR20	1
5	<u>VT0005542</u>	Travel wheel; Driving	UU/UR20	1
6	<u>VT0005528</u>	Bearing set		1
7	<u>VT0005529</u>	Shaft set	BDIM 127-210	1
7	<u>VT0005530</u>	Shaft set	BDIM 211-314	1
7	<u>VT0005531</u>	Shaft set	BDIM 315-418	1
8	<u>VT0005532</u>	Sleeve set	BDIM 127-210	1
8	<u>VT0005533</u>	Sleeve set	BDIM 211-314	1
8	<u>VT0005534</u>	Sleeve set	BDIM 315-418	1
9	<u>VT0005535</u>	Fixing set		1
10	<u>VT0000877</u>	Rubber buffer	D1801B	1
10	<u>VT0001033</u>	Rubber buffer	D2240	1
10	<u>VT0001730</u>	Rubber buffer	D2241	1
10	<u>VT0001731</u>	Rubber buffer	D2242	1
10	<u>VT0004003</u>	Polyurethane Buffer	80 x 80	1
10	<u>VT0001722</u>	Polyurethane Buffer	100 x 100	1
10	<u>VT0001723</u>	Polyurethane Buffer	100 x 150	1
10	<u>VT0001724</u>	Polyurethane Buffer	125 x 125	1
10	<u>VT0001725</u>	Polyurethane Buffer	125 x 190	1
10	<u>VT0001726</u>	Polyurethane Buffer	160 x 160	1
10	<u>VT0001727</u>	Polyurethane Buffer	160 x 240	1
11	<u>VT0005536</u>	Cover – Idle		1
12	<u>VT0005537</u>	Cover – Driven		1
13	<u>VT0005543</u>	Side plate, Driving		1

15. END CARRIAGE - ECN50B



End carriage – ECN50B

Item	Reference	Description	Observation	Quantity
1	<u>VT0007889</u>	Travel wheel	UU50 – Driving and Idle GES5/QM6	1
1	<u>VT0007890</u>	Travel wheel	UU60 – Driving and Idle GES5/QM6	1
1	<u>VT0007891</u>	Travel wheel	UU65 – Driving and Idle GES5/QM6	1
1	<u>VT0007892</u>	Travel wheel	UU70 – Driving and Idle GES5/QM6	1
1	<u>VT0007893</u>	Travel wheel	UU75 – Driving and Idle GES5/QM6	1
1	<u>VT0007894</u>	Travel wheel	UU80 – Driving and Idle GES5/QM6	1
1	<u>VT0007895</u>	Travel wheel	UU85 – Driving and Idle GES5/QM6	1
1	<u>VT0007896</u>	Travel wheel	UU90 – Driving and Idle GES5/QM6	1
1	<u>VT0007897</u>	Travel wheel	UU95 – Driving and Idle GES5/QM6	1
1	<u>VT0007898</u>	Travel wheel	UU100 – Driving and Idle GES5/QM6	1
1	<u>VT0007899</u>	Travel wheel	UU105 – Driving and Idle GES5/QM6	1
1	<u>VT0007900</u>	Travel wheel	UU110 – Driving and Idle GES5/QM6	1
1	<u>VT0007901</u>	Travel wheel	UU110 – Driving and Idle GES5/QM6	1
1	<u>VT0007902</u>	Travel wheel	UU120 – Driving and Idle GES5/QM6	1
1	<u>VT0007903</u>	Travel wheel	UU125 – Driving and Idle GES5/QM6	1
1	<u>VT0007904</u>	Travel wheel	UU130 – Driving and Idle GES5/QM6	1
1	<u>VT0007905</u>	Travel wheel	UU00 – Driving and Idle GES5/QM6	1
1	<u>VT0007906</u>	Travel wheel	UU55 – Driving and Idle QM7	1
1	<u>VT0007907</u>	Travel wheel	UU60 – Driving and Idle QM7	1
1	<u>VT0007908</u>	Travel wheel	UU65 – Driving and Idle QM7	1
1	<u>VT0007909</u>	Travel wheel	UU70 – Driving and Idle QM7	1
1	<u>VT0007910</u>	Travel wheel	UU75 – Driving and Idle QM7	1
1	<u>VT0007911</u>	Travel wheel	UU80 – Driving and Idle QM7	1
1	<u>VT0007912</u>	Travel wheel	UU85 – Driving and Idle QM7	1
1	<u>VT0007913</u>	Travel wheel	UU90 – Driving and Idle QM7	1
1	<u>VT0007914</u>	Travel wheel	UU95 – Driving and Idle QM7	1
1	<u>VT0007915</u>	Travel wheel	UU100 – Driving and Idle QM7	1
1	<u>VT0007916</u>	Travel wheel	UU105 – Driving and Idle QM7	1
1	<u>VT0007917</u>	Travel wheel	UU110 – Driving and Idle QM7	1
1	<u>VT0007918</u>	Travel wheel	UU115 – Driving and Idle QM7	1

End carriage – ECN50B

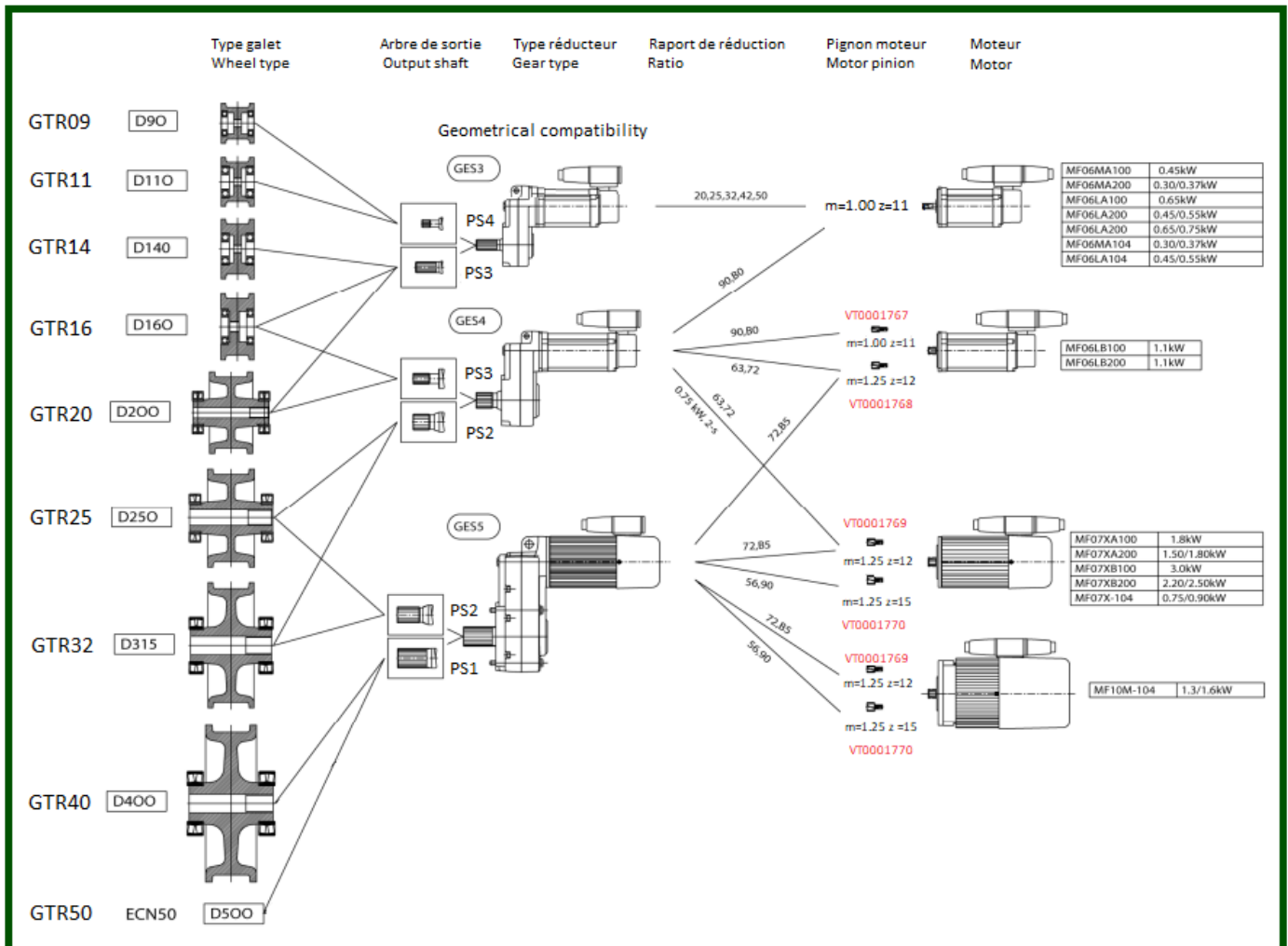
Item	Reference	Description	Observation	Quantity
1	<u>VT0007919</u>	Travel wheel	UU120 – Driving and Idle QM7	1
1	<u>VT0007920</u>	Travel wheel	UU125 – Driving and Idle QM7	1
1	<u>VT0007921</u>	Travel wheel	UU130 – Driving and Idle QM7	1
1	<u>VT0007922</u>	Travel wheel	UU00 – Driving and Idle QM7	1
2	<u>VT0007923</u>	Bearing Housing		1
3	<u>VT0007924</u>	Bearing set		1
4	<u>VT0007925</u>	Travel wheel	UU55 – Driving and Idle GES5/QM6	1
4	<u>VT0007926</u>	Travel wheel	UU60 – Driving and Idle GES5/QM6	1
4	<u>VT0007927</u>	Travel wheel	UU65 – Driving and Idle GES5/QM6	1
4	<u>VT0007928</u>	Travel wheel	UU70 – Driving and Idle GES5/QM6	1
4	<u>VT0007929</u>	Travel wheel	UU75 – Driving and Idle GES5/QM6	1
4	<u>VT0007930</u>	Travel wheel	UU80 – Driving and Idle GES5/QM6	1
4	<u>VT0007931</u>	Travel wheel	UU85 – Driving and Idle GES5/QM6	1
4	<u>VT0007932</u>	Travel wheel	UU90 – Driving and Idle GES5/QM6	1
4	<u>VT0007933</u>	Travel wheel	UU95 – Driving and Idle GES5/QM6	1
4	<u>VT0007934</u>	Travel wheel	UU100 – Driving and Idle GES5/QM6	1
4	<u>VT0007935</u>	Travel wheel	UU105 – Driving and Idle GES5/QM6	1
4	<u>VT0007936</u>	Travel wheel	UU110 – Driving and Idle GES5/QM6	1
4	<u>VT0007937</u>	Travel wheel	UU115 – Driving and Idle GES5/QM6	1
4	<u>VT0007938</u>	Travel wheel	UU120 – Driving and Idle GES5/QM6	1
4	<u>VT0007939</u>	Travel wheel	UU125 – Driving and Idle GES5/QM6	1
4	<u>VT0007940</u>	Travel wheel	UU130 – Driving and Idle GES5/QM6	1
4	<u>VT0007941</u>	Travel wheel	UU00 – Driving and Idle GES5/QM6	1
4	<u>VT0007942</u>	Travel wheel	UU55 – Driving and Idle QM7	1
4	<u>VT0007943</u>	Travel wheel	UU60 – Driving and Idle QM7	1
4	<u>VT0007944</u>	Travel wheel	UU65 – Driving and Idle QM7	1
4	<u>VT0007945</u>	Travel wheel	UU70 – Driving and Idle QM7	1
4	<u>VT0007946</u>	Travel wheel	UU75 – Driving and Idle QM7	1
4	<u>VT0007947</u>	Travel wheel	UU80 – Driving and Idle QM7	1
4	<u>VT0007948</u>	Travel wheel	UU85 – Driving and Idle QM7	1

End carriage – ECN50B

Item	Reference	Description	Observation	Quantity
4	<u>VT0007949</u>	Travel wheel	UU90 – Driving and Idle QM7	1
4	<u>VT0007950</u>	Travel wheel	UU95 – Driving and Idle QM7	1
4	<u>VT0007951</u>	Travel wheel	UU100 – Driving and Idle QM7	1
4	<u>VT0007952</u>	Travel wheel	UU105 – Driving and Idle QM7	1
4	<u>VT0007953</u>	Travel wheel	UU110 – Driving and Idle QM7	1
4	<u>VT0007954</u>	Travel wheel	UU115 – Driving and Idle QM7	1
4	<u>VT0007955</u>	Travel wheel	UU120 – Driving and Idle QM7	1
4	<u>VT0007956</u>	Travel wheel	UU125 – Driving and Idle QM7	1
4	<u>VT0007957</u>	Travel wheel	UU130 – Driving and Idle QM7	1
4	<u>VT0007958</u>	Travel wheel	UU00 – Driving and Idle QM7	1
5	<u>VT0007959</u>	Shaft set	QM6	1
5	<u>VT0007960</u>	Shaft set	QM7	1
6	<u>VT0004537</u>	Polyurethane Buffer	250 x 250	1
6	<u>VT0004538</u>	Buffer	250 x 375	1
6	<u>VT0001033</u>	Rubber Buffer	D2240	1
6	<u>VT0001730</u>	Rubber Buffer	D2241	1
6	<u>VT0001731</u>	Rubber Buffer	D2242	1
6	<u>VT0001723</u>	Polyurethane Buffer	100 x 150	1
6	<u>VT0001724</u>	Polyurethane Buffer	125 x 125	1
6	<u>VT0001725</u>	Polyurethane Buffer	125 x 90	1
6	<u>VT0001726</u>	Polyurethane Buffer	160 x 160	1
6	<u>VT0001727</u>	Polyurethane Buffer	160 x 240	1
6	<u>VT0001728</u>	Polyurethane Buffer	200 x 200	1
6	<u>VT0001729</u>	Polyurethane Buffer	200 x 300	1
7	<u>VT0007962</u>	Shaft set		1
8	<u>VT0007963</u>	Support arm	QM6	1
8	<u>VT0007964</u>	Support arm	QM7	1
9	<u>VT0007965</u>	Fastener	QM6	1
9	<u>VT0007966</u>	Fastener	QM6	1

16. GEARBOX

Pinions must be ordered with motors



Item	Reference	Description	Observation	Quantity
	VT0001767	Pignons 11 dents - m : 1.00 - Axe ø 10mm		
	VT0001768	Pignons 12 dents - m : 1.25 - Axe ø 10mm		
	VT0001769	Pignons 12 dents - m : 1.25 - Axe ø 12mm		
	VT0001770	Pignons 15 dents - m : 1.25 - Axe ø 15mm		