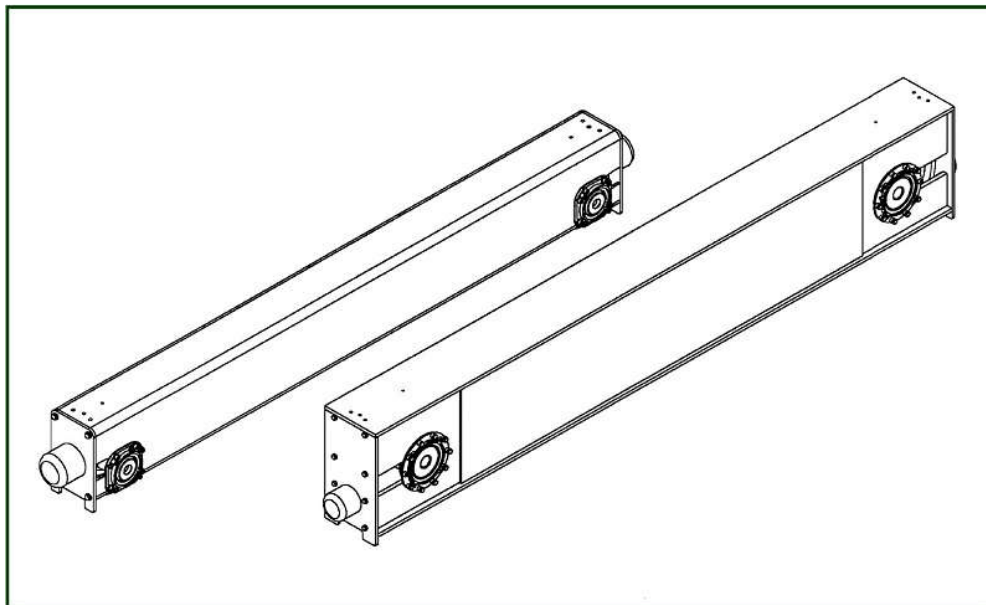


## **Spare parts catalog for "Endtruck GT"**

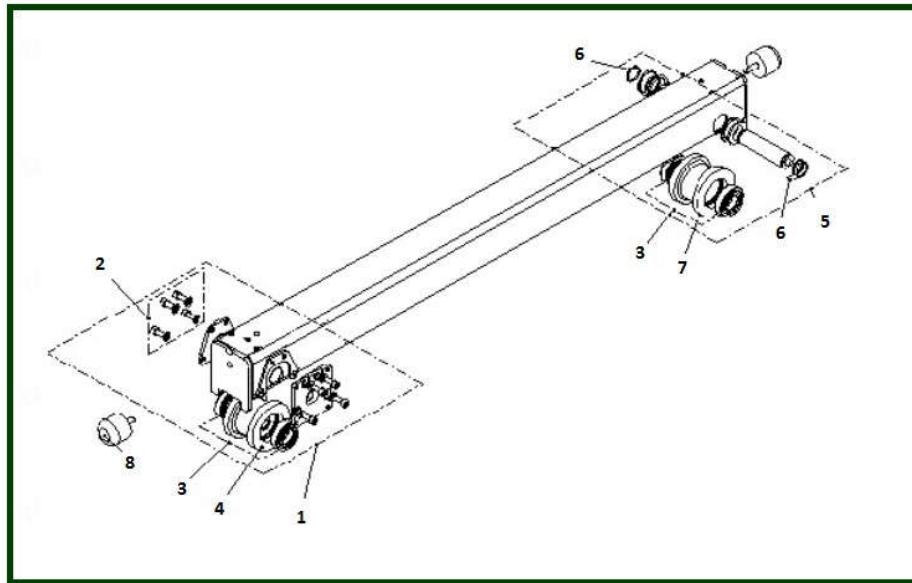
To avoid errors, when ordering please specify:

- Complete type of hoist
- Date of manufacture and serial number
- Spare part code
- Spare part designation
- Additional information



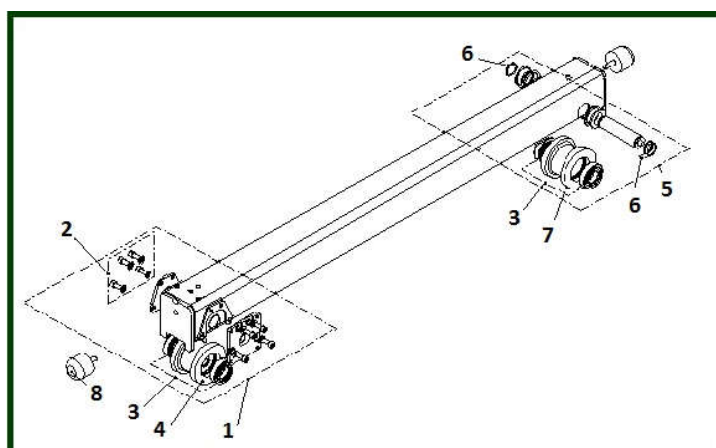
- 1) GT09 WHEEL - DIAMETER 90 MM
- 2) GT11 WHEEL - DIAMETER 110 MM
- 3) GT14 WHEEL - DIAMETER 140 MM
- 4) GT20 WHEEL - DIAMETER 200 MM
- 5) GT25 WHEEL - DIAMETER 250 MM
- 6) GT32 WHEEL - DIAMETER 320 MM
- 7) GT50 WHEEL - DIAMETER 500 MM
- 8) TRAVELLING MOTOR TYPE MF06 - COMPACT BRAKE
- 9) TRAVELLING MOTOR TYPE MF06 - ELECTRICAL BRAKE
  - 9.1) Travelling motor type MF06 LA100/LB100
  - 9.2) Travelling motor type MF06 LA104/MA104
- 10) TRAVELLING MOTOR TYPE MF07X
- 11) GEARBOX
  - 11.1) GES3
  - 11.2) GES4
  - 11.3) GES5

## 1) GT09 WHEEL - diameter 90 mm



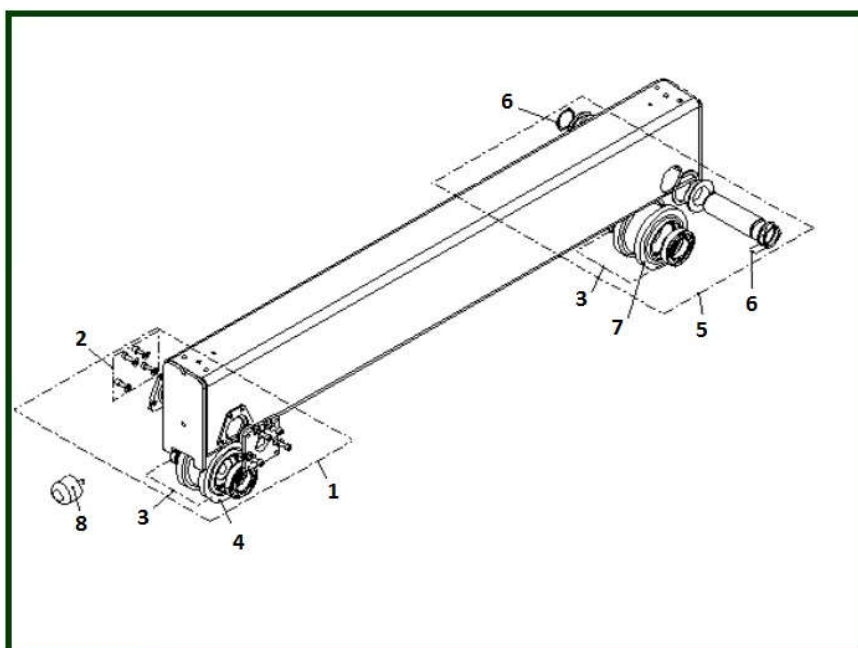
| item | reference                 | description                             | observation   | Quantity |
|------|---------------------------|---|---|----------|
| 1    | <a href="#">VT0001337</a> | Wheel set driving<br>Groove width 50 mm |   | 1        |
| 1    | <a href="#">VT0001569</a> | Wheel set driving<br>Groove width 55 mm |   | 1        |
| 1    | <a href="#">VT0001570</a> | Wheel set driving<br>Groove width 60 mm |   | 1        |
| 1    | <a href="#">VT0001571</a> | Wheel set driving<br>Groove width 65 mm |   | 1        |
| 2    | <a href="#">VT0001338</a> | Fixing set                              | A partir / From H0315168  | 2        |
| 3    | <a href="#">VT0001572</a> | Bearing set                             | A partir / From H0315168  | 2        |
| 5    | <a href="#">VT0001573</a> | Wheel set; Idle<br>Groove width 50 mm   | A partir / From H0315168  | 1        |
| 5    | <a href="#">VT0001574</a> | Wheel set; Idle<br>Groove width 55 mm   | A partir / From H0315168  | 1        |
| 5    | <a href="#">VT0001575</a> | Wheel set; Idle<br>Groove width 60 mm   | A partir / From H0315168  | 1        |
| 5    | <a href="#">VT0001576</a> | Wheel set; Idle<br>Groove width 65 mm   | A partir / From H0315168  | 1        |
| 6    | <a href="#">VT0001577</a> | Sleeve set                              | A partir / From H0315168  | 1        |
| 8    | <a href="#">VT0001033</a> | Buffer                                  | 80x68 - D2240<br>A partir / From H0315168<br>Sommier / End carriage B                       | 2        |
| 8    | <a href="#">VT0000877</a> | Buffer                                  | Système de mouflage / Reeving system 02-04<br>D1801 - VT2 & VT3<br>Sommier / End carriage A | 2        |

## 2) GT11 WHEEL - diameter 110 mm



| item | reference                 | description                             | observation   | Quantity |
|------|---------------------------|---|---|----------|
| 1    | <a href="#">VT0001578</a> | Wheel driving set<br>Groove width 50 mm | A partir / From H0315168  | 1        |
| 1    | <a href="#">VT0001579</a> | Wheel driving set<br>Groove width 55 mm | A partir / From H0315168  | 1        |
| 1    | <a href="#">VT0001580</a> | Wheel driving set<br>Groove width 60 mm | A partir / From H0315168  | 1        |
| 1    | <a href="#">VT0001581</a> | Wheel driving set<br>Groove width 65 mm | A partir / From H0315168  | 1        |
| 1    | <a href="#">VT0001582</a> | Wheel driving set<br>Groove width 70 mm | A partir / From H0315168  | 1        |
| 1    | <a href="#">VT0001583</a> | Wheel driving set<br>Groove width 75 mm | A partir / From H0315168  | 1        |
| 2    | <a href="#">VT0001338</a> | Fixing set                              | A partir / From H0315168  | 2        |
| 3    | <a href="#">VT0001585</a> | Bearing set                             | A partir / From H0315168  | 2        |
| 5    | <a href="#">VT0001586</a> | Idle wheel set<br>Groove width 50 mm    | A partir / From H0315168  | 1        |
| 5    | <a href="#">VT0001587</a> | Idle wheel set<br>Groove width 55 mm    | A partir / From H0315168  | 1        |
| 5    | <a href="#">VT0001588</a> | Idle wheel set<br>Groove width 60 mm    | A partir / From H0315168  | 1        |
| 5    | <a href="#">VT0001589</a> | Idle wheel set<br>Groove width 65 mm    | A partir / From H0315168  | 1        |
| 5    | <a href="#">VT0001590</a> | Idle wheel set<br>Groove width 70 mm    | A partir / From H0315168  | 1        |
| 5    | <a href="#">VT0001591</a> | Idle wheel set<br>Groove width 75 mm    | A partir / From H0315168  | 1        |
| 6    | <a href="#">VT0001592</a> | Shaft set                               | A partir / From H0315168  | 1        |
| 8    | <a href="#">VT0001033</a> | Buffer                                  | 80x68 - D2240<br>A partir / From H0315168<br>Sommier / End carriage B                       | 2        |
| 8    | <a href="#">VT0001730</a> | Buffer                                  | 100x85-12x30 - D2241<br>A partir / From H0315168<br>Sommier / End carriage C                | 2        |
| 8    | <a href="#">VT0001731</a> | Buffer                                  | D2242<br>Sommier / End carriage D   | 2        |
| 8    | <a href="#">VT0000877</a> | Buffer                                  | Système de mouflage / Reeving system 02-04<br>D1801 - VT2 & VT3<br>Sommier / End carriage A | 2        |

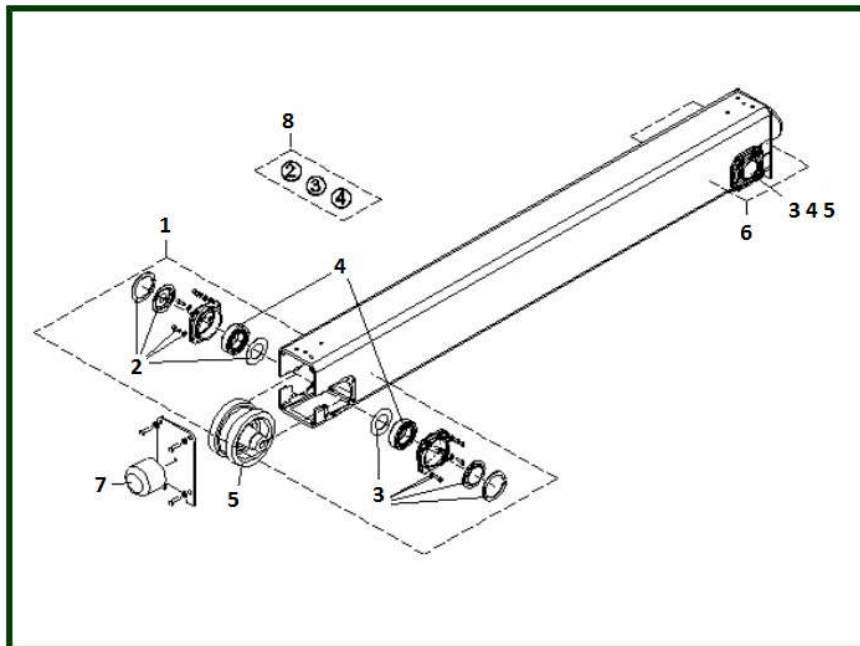
### 3) GT14 WHEEL - diameter 140 mm



| item | reference                 | description                             | observation   | Quantity |
|------|---------------------------|---|---|----------|
| 1    | <a href="#">VT0001593</a> | Wheel driving set<br>Groove width 50 mm | VT3 - A partir / From H0315168  | 1        |
| 1    | <a href="#">VT0001594</a> | Wheel driving set<br>Groove width 55 mm | VT3 - A partir / From H0315168  | 1        |
| 1    | <a href="#">VT0001595</a> | Wheel driving set<br>Groove width 60 mm | VT3 - A partir / From H0315168  | 1        |
| 1    | <a href="#">VT0001596</a> | Wheel driving set<br>Groove width 65 mm | VT3 - A partir / From H0315168  | 1        |
| 1    | <a href="#">VT0001597</a> | Wheel driving set<br>Groove width 70 mm | VT3 - A partir / From H0315168  | 1        |
| 1    | <a href="#">VT0001598</a> | Wheel driving set<br>Groove width 75 mm | VT3 - A partir / From H0315168  | 1        |
| 2    | <a href="#">VT0001338</a> | Fixing set                              | A partir / From H0315168  | 2        |
| 3    | <a href="#">VT0001599</a> | Bearing set                             | VT3 - EC - A partir / From H0315168                                   | 2        |
| 4    | <a href="#">VT0001998</a> | Wheel driving<br>Groove width 50 mm     |   | 1        |
| 4    | <a href="#">VT0001999</a> | Wheel driving<br>Groove width 55 mm     |   | 1        |
| 4    | <a href="#">VT0002000</a> | Wheel driving<br>Groove width 60 mm     |   | 1        |
| 4    | <a href="#">VT0002001</a> | Wheel driving<br>Groove width 65 mm     |   | 1        |
| 4    | <a href="#">VT0002002</a> | Wheel driving<br>Groove width 70 mm     |   | 1        |
| 4    | <a href="#">VT0002003</a> | Wheel driving<br>Groove width 75 mm     |   | 1        |
| 5    | <a href="#">VT0001600</a> | Wheel idle set<br>Groove width 50 mm    | VT3 - A partir / From H0315168  | 1        |
| 5    | <a href="#">VT0001601</a> | Wheel idle set<br>Groove width 55 mm    | VT3 - A partir / From H0315168  | 1        |
| 5    | <a href="#">VT0001602</a> | Wheel idle set<br>Groove width 60 mm    | VT3 - A partir / From H0315168  | 1        |
| 5    | <a href="#">VT0001603</a> | Wheel idle set<br>Groove width 65 mm    | VT3 - A partir / From H0315168  | 1        |
| 5    | <a href="#">VT0001604</a> | Wheel idle set<br>Groove width 70 mm    | VT3 - A partir / From H0315168  | 1        |
| 5    | <a href="#">VT0001605</a> | Wheel idle set<br>Groove width 75 mm    | VT3 - A partir / From H0315168  | 1        |
| 6    | <a href="#">VT0001606</a> | Fixing set                              | A partir / From H0315168  | 1        |
| 8    | <a href="#">VT0001033</a> | Buffer                                  | 80x68 - D2240<br>A partir / From H0315168<br>Sommier / End carriage B | 2        |

|   |                  |        |   |   |
|---|------------------|--------|---|---|
| 8 | <u>VT0001730</u> | Buffer | 100x85-12x30 - D2241<br>A partir / From H0315168<br>Sommier / End carriage C                | 2 |
| 8 | <u>VT0001731</u> | Buffer | D2242<br>Sommier / End carriage D   | 2 |
| 8 | <u>VT0000877</u> | Buffer | Système de mouflage / Reeving system 02-04<br>D1801 - VT2 & VT3<br>Sommier / End carriage A | 2 |

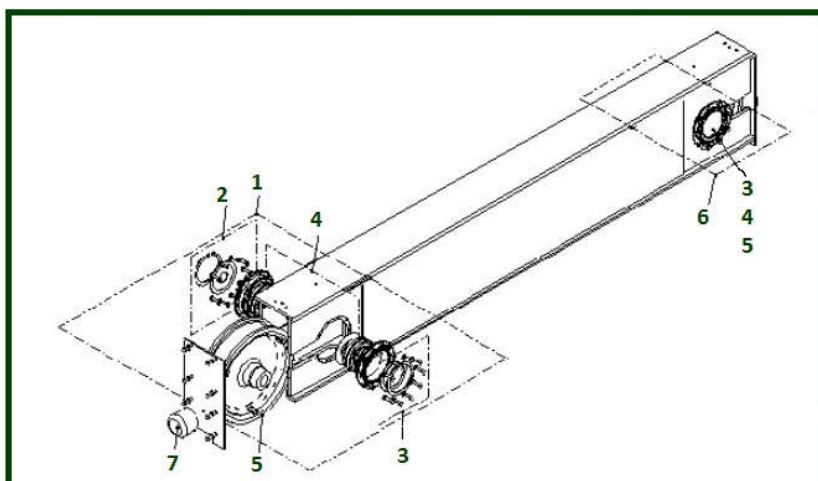
## 4) GT20 WHEEL - diameter 200 mm



| item | reference                 | description                              | observation | Quantity |
|------|---------------------------|--|-------------|----------|
| 1    | <a href="#">VT0001607</a> | Whell set driving<br>Groove width 55 mm  |             | 1        |
| 1    | <a href="#">VT0001608</a> | Whell set driving<br>Groove width 60 mm  |             | 1        |
| 1    | <a href="#">VT0001609</a> | Whell set driving<br>Groove width 65 mm  |             | 1        |
| 1    | <a href="#">VT0001610</a> | Whell set driving<br>Groove width 70 mm  |             | 1        |
| 1    | <a href="#">VT0001611</a> | Whell set driving<br>Groove width 75 mm  |             | 1        |
| 1    | <a href="#">VT0001612</a> | Whell set driving<br>Groove width 80 mm  |             | 1        |
| 1    | <a href="#">VT0001613</a> | Whell set driving<br>Groove width 85 mm  |             | 1        |
| 1    | <a href="#">VT0001614</a> | Whell set driving<br>Groove width 90 mm  |             | 1        |
| 1    | <a href="#">VT0001615</a> | Whell set driving<br>Groove width 95 mm  |             | 1        |
| 1    | <a href="#">VT0001616</a> | Whell set driving<br>Groove width 100 mm |             | 1        |
| 2    | <a href="#">VT0001070</a> | Set of fixing screws                     |             | 1        |
| 2    | <a href="#">VT0001628</a> | Set of fixing screws                     |             | 1        |
| 3    | <a href="#">VT0001071</a> | Set of fixing screws                     |             | 3        |
| 3    | <a href="#">VT0001627</a> | Set of fixing screws                     |             | 3        |
| 4    | <a href="#">VT0001629</a> | Bearing set                              |             | 2        |
| 6    | <a href="#">VT0001617</a> | Whell set idle<br>Groove width 55 mm     |             | 1        |
| 6    | <a href="#">VT0001618</a> | Whell set idle<br>Groove width 60 mm     |             | 1        |
| 6    | <a href="#">VT0001619</a> | Whell set idle<br>Groove width 65 mm     |             | 1        |
| 6    | <a href="#">VT0001620</a> | Whell set idle<br>Groove width 70 mm     |             | 1        |
| 6    | <a href="#">VT0001621</a> | Whell set idle<br>Groove width 75 mm     |             | 1        |
| 6    | <a href="#">VT0001622</a> | Whell set idle<br>Groove width 80 mm     |             | 1        |
| 6    | <a href="#">VT0001623</a> | Whell set idle<br>Groove width 85 mm     |             | 1        |
| 6    | <a href="#">VT0001624</a> | Whell set idle<br>Groove width 90 mm     |             | 1        |

|   |                  |                                       |  |   |
|---|------------------|---------------------------------------|--|---|
| 6 | <u>VT0001625</u> | Whell set idle<br>Groove width 95 mm  |  | 1 |
| 6 | <u>VT0001626</u> | Whell set idle<br>Groove width 100 mm |  | 1 |
| 7 | <u>VT0001033</u> | Buffer                                | 80x68 - D2240<br>A partir / From H0315168<br>Sommier / End carriage B        | 2 |
| 7 | <u>VT0001730</u> | Buffer                                | 100x85-12x30 - D2241<br>A partir / From H0315168<br>Sommier / End carriage C | 2 |
| 7 | <u>VT0001723</u> | Buffer                                | 100x150-12X40<br>Sommier / End carriage E                                    | 2 |
| 7 | <u>VT0001731</u> | Buffer                                | D2242<br>Sommier / End carriage D  | 2 |
| 7 | <u>VT0001725</u> | Buffer                                | Sommier / End carriage F   | 2 |
| 7 | <u>VT0001726</u> | Buffer                                | Sommier / End carriage H   | 2 |
| 7 | <u>VT0001728</u> | Buffer                                | Sommier / End carriage I   | 2 |
| 7 | <u>VT0001724</u> | Buffer                                | Sommier / End carriage M   | 2 |
| 7 | <u>VT0001727</u> | Buffer                                | Sommier / End carriage P   | 2 |
| 7 | <u>VT0001729</u> | Buffer                                | Sommier / End carriage S   | 2 |
| 8 | <u>VT0001034</u> | Set of fixing screws                  |  | 1 |
| 8 | <u>VT0002142</u> | Set of fixing screws                  |  | 1 |

## 5) GT25 WHEEL - diameter 250 mm

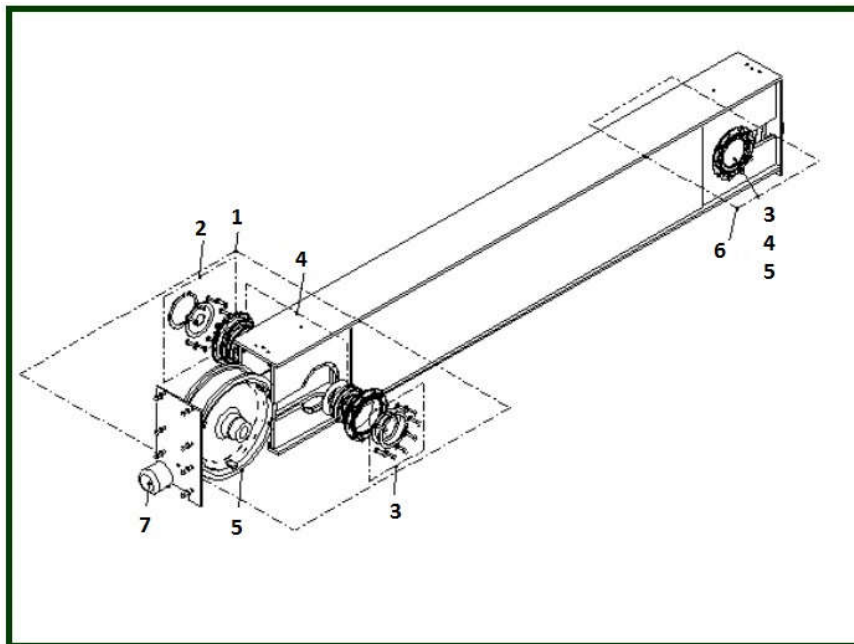


| item | reference                 | description                              | observation   | Quantity |
|------|---------------------------|--|---|----------|
| 1    | <a href="#">VT0001630</a> | Whell set driving<br>Groove width 55 mm  |   | 1        |
| 1    | <a href="#">VT0001631</a> | Whell set driving<br>Groove width 60 mm  |   | 1        |
| 1    | <a href="#">VT0001632</a> | Whell set driving<br>Groove width 65 mm  |   | 1        |
| 1    | <a href="#">VT0001633</a> | Whell set driving<br>Groove width 70 mm  |   | 1        |
| 1    | <a href="#">VT0001634</a> | Whell set driving<br>Groove width 75 mm  |   | 1        |
| 1    | <a href="#">VT0001635</a> | Whell set driving<br>Groove width 80 mm  |   | 1        |
| 1    | <a href="#">VT0001636</a> | Whell set driving<br>Groove width 85 mm  |   | 1        |
| 1    | <a href="#">VT0001637</a> | Whell set driving<br>Groove width 90 mm  |   | 1        |
| 1    | <a href="#">VT0001638</a> | Whell set driving<br>Groove width 95 mm  |   | 1        |
| 1    | <a href="#">VT0001639</a> | Whell set driving<br>Groove width 100 mm |   | 1        |
| 2    | <a href="#">VT0001651</a> | Set of fixation screws                   |   | 1        |
| 3    | <a href="#">VT0001650</a> | Set of fixation screws                   |   | 3        |
| 4    | <a href="#">VT0001652</a> | Bearing set                              |   | 2        |
| 6    | <a href="#">VT0001640</a> | Whell set idle<br>Groove width 55 mm     |   | 1        |
| 6    | <a href="#">VT0001641</a> | Whell set idle<br>Groove width 60 mm     |   | 1        |
| 6    | <a href="#">VT0001642</a> | Whell set idle<br>Groove width 65 mm     |   | 1        |
| 6    | <a href="#">VT0001643</a> | Whell set idle<br>Groove width 70 mm     |   | 1        |
| 6    | <a href="#">VT0001644</a> | Whell set idle<br>Groove width 75 mm     |   | 1        |
| 6    | <a href="#">VT0001645</a> | Whell set idle<br>Groove width 80 mm     |   | 1        |
| 6    | <a href="#">VT0001646</a> | Whell set idle<br>Groove width 85 mm     |   | 1        |
| 6    | <a href="#">VT0001647</a> | Whell set idle<br>Groove width 90 mm     |   | 1        |
| 6    | <a href="#">VT0001648</a> | Whell set idle<br>Groove width 95 mm     |   | 1        |
| 6    | <a href="#">VT0001649</a> | Whell set idle<br>Groove width 100 mm    |   | 1        |
| 7    | <a href="#">VT0001033</a> | Buffer                                   | 80x68 - D2240<br>A partir / From H0315168<br>Sommier / End carriage B | 2        |



|   |                  |               |  |   |
|---|------------------|---------------|--|---|
| 7 | <u>VT0001730</u> | Buffer        | 100x85-12x30 - D2241<br>A partir / From H0315168<br>Sommier / End carriage C | 2 |
| 7 | <u>VT0001723</u> | Buffer        | 100x150-12X40<br>Sommier / End carriage E                                    | 2 |
| 7 | <u>VT0001731</u> | Buffer        | D2242<br>Sommier / End carriage D  | 2 |
| 7 | <u>VT0001725</u> | Buffer        | Sommier / End carriage F   | 2 |
| 7 | <u>VT0001726</u> | Buffer        | Sommier / End carriage H   | 2 |
| 7 | <u>VT0001728</u> | Buffer        | Sommier / End carriage I   | 2 |
| 7 | <u>VT0001724</u> | Buffer        | Sommier / End carriage M   | 2 |
| 7 | <u>VT0001727</u> | Buffer        | Sommier / End carriage P   | 2 |
| 7 | <u>VT0001729</u> | Buffer        | Sommier / End carriage S   | 2 |
|   | <u>NC(1)</u>     | Counterweight |  | 0 |

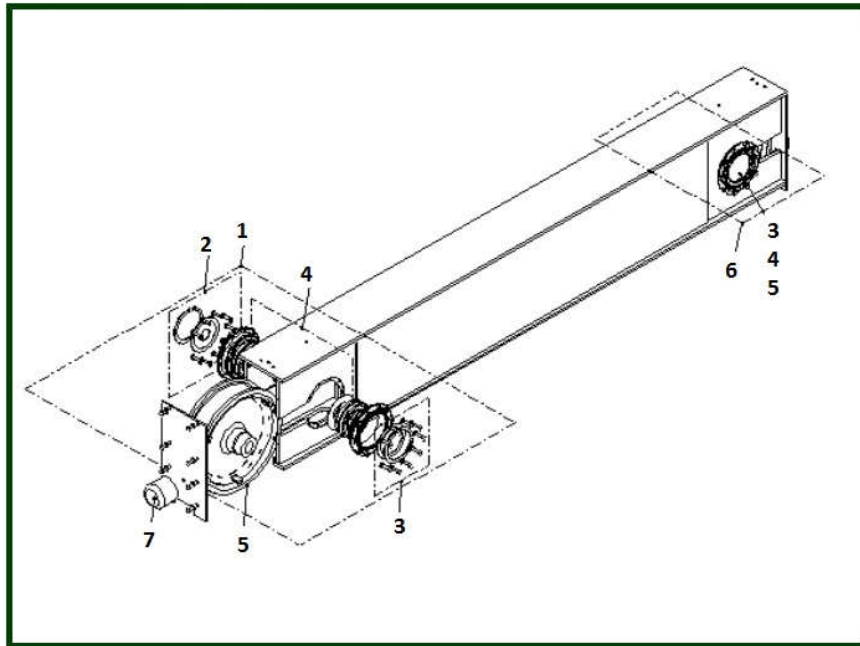
## 6) GT32 WHEEL - diameter 320 mm



| item | reference                 | description                              | observation | Quantity |
|------|---------------------------|--|-------------|----------|
| 1    | <a href="#">VT0001653</a> | Whell set driving<br>Groove width 55 mm  |             | 1        |
| 1    | <a href="#">VT0001654</a> | Whell set driving<br>Groove width 60 mm  |             | 1        |
| 1    | <a href="#">VT0001655</a> | Whell set driving<br>Groove width 65 mm  |             | 1        |
| 1    | <a href="#">VT0001656</a> | Whell set driving<br>Groove width 70 mm  |             | 1        |
| 1    | <a href="#">VT0001657</a> | Whell set driving<br>Groove width 75 mm  |             | 1        |
| 1    | <a href="#">VT0001658</a> | Whell set driving<br>Groove width 80 mm  |             | 1        |
| 1    | <a href="#">VT0001659</a> | Whell set driving<br>Groove width 85 mm  |             | 1        |
| 1    | <a href="#">VT0001660</a> | Whell set driving<br>Groove width 90 mm  |             | 1        |
| 1    | <a href="#">VT0001661</a> | Whell set driving<br>Groove width 95 mm  |             | 1        |
| 1    | <a href="#">VT0001662</a> | Whell set driving<br>Groove width 100 mm |             | 1        |
| 2    | <a href="#">VT0001651</a> | Set of fixation screws                   |             | 1        |
| 3    | <a href="#">VT0001650</a> | Set of fixation screws                   |             | 3        |
| 4    | <a href="#">VT0001652</a> | Bearing set                              |             | 2        |
| 6    | <a href="#">VT0001663</a> | Whell set idle<br>Groove width 55 mm     |             | 1        |
| 6    | <a href="#">VT0001664</a> | Whell set idle<br>Groove width 60 mm     |             | 1        |
| 6    | <a href="#">VT0001665</a> | Whell set idle<br>Groove width 65 mm     |             | 1        |
| 6    | <a href="#">VT0001666</a> | Whell set idle<br>Groove width 70 mm     |             | 1        |
| 6    | <a href="#">VT0001667</a> | Whell set idle<br>Groove width 75 mm     |             | 1        |
| 6    | <a href="#">VT0001668</a> | Whell set idle<br>Groove width 80 mm     |             | 1        |
| 6    | <a href="#">VT0001669</a> | Whell set idle<br>Groove width 85 mm     |             | 1        |
| 6    | <a href="#">VT0001670</a> | Whell set idle<br>Groove width 90 mm     |             | 1        |
| 6    | <a href="#">VT0001671</a> | Whell set idle<br>Groove width 95 mm     |             | 1        |

|   |                  |                                       |  |   |
|---|------------------|---------------------------------------|--|---|
| 6 | <u>VT0001672</u> | Wheel set idle<br>Groove width 100 mm |  | 1 |
| 7 | <u>VT0001033</u> | Buffer                                | 80x68 - D2240<br>A partir / From H0315168<br>Sommier / End carriage B        | 2 |
| 7 | <u>VT0001730</u> | Buffer                                | 100x85-12x30 - D2241<br>A partir / From H0315168<br>Sommier / End carriage C | 2 |
| 7 | <u>VT0001723</u> | Buffer                                | 100x150-12X40<br>Sommier / End carriage E                                    | 2 |
| 7 | <u>VT0001731</u> | Buffer                                | D2242<br>Sommier / End carriage D  | 2 |
| 7 | <u>VT0001725</u> | Buffer                                | Sommier / End carriage F   | 2 |
| 7 | <u>VT0001726</u> | Buffer                                | Sommier / End carriage H   | 2 |
| 7 | <u>VT0001728</u> | Buffer                                | Sommier / End carriage I   | 2 |
| 7 | <u>VT0001724</u> | Buffer                                | Sommier / End carriage M   | 2 |
| 7 | <u>VT0001727</u> | Buffer                                | Sommier / End carriage P   | 2 |
| 7 | <u>VT0001729</u> | Buffer                                | Sommier / End carriage S   | 2 |

## 7) GT50 WHEEL - diameter 500 mm

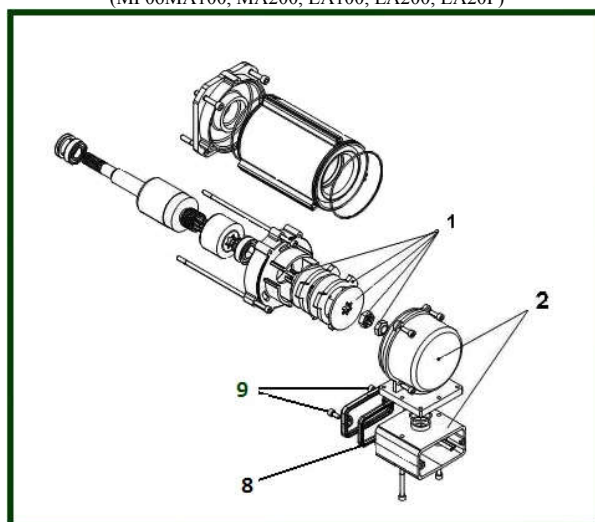


| item | reference                 | description                              | observation | Quantity |
|------|---------------------------|--|-------------|----------|
| 1    | <a href="#">VT0001673</a> | Whell set driving<br>Groove width 55 mm  |             | 1        |
| 1    | <a href="#">VT0001674</a> | Whell set driving<br>Groove width 60 mm  |             | 1        |
| 1    | <a href="#">VT0001675</a> | Whell set driving<br>Groove width 65 mm  |             | 1        |
| 1    | <a href="#">VT0001676</a> | Whell set driving<br>Groove width 70 mm  |             | 1        |
| 1    | <a href="#">VT0001677</a> | Whell set driving<br>Groove width 75 mm  |             | 1        |
| 1    | <a href="#">VT0001678</a> | Whell set driving<br>Groove width 80 mm  |             | 1        |
| 1    | <a href="#">VT0001679</a> | Whell set driving<br>Groove width 85 mm  |             | 1        |
| 1    | <a href="#">VT0001680</a> | Whell set driving<br>Groove width 90 mm  |             | 1        |
| 1    | <a href="#">VT0001681</a> | Whell set driving<br>Groove width 95 mm  |             | 1        |
| 1    | <a href="#">VT0001682</a> | Whell set driving<br>Groove width 100 mm |             | 1        |
| 2    | <a href="#">VT0001696</a> | Set of fixation screws                   |             | 1        |
| 3    | <a href="#">VT0001693</a> | Set of fixation screws                   |             | 3        |
| 4    | <a href="#">VT0001698</a> | Bearing set                              |             | 2        |
| 6    | <a href="#">VT0001683</a> | Whell set idle<br>Groove width 55 mm     |             | 1        |
| 6    | <a href="#">VT0001684</a> | Whell set idle<br>Groove width 60 mm     |             | 1        |
| 6    | <a href="#">VT0001685</a> | Whell set idle<br>Groove width 65 mm     |             | 1        |
| 6    | <a href="#">VT0001686</a> | Whell set idle<br>Groove width 70 mm     |             | 1        |
| 6    | <a href="#">VT0001687</a> | Whell set idle<br>Groove width 75 mm     |             | 1        |
| 6    | <a href="#">VT0001688</a> | Whell set idle<br>Groove width 80 mm     |             | 1        |
| 6    | <a href="#">VT0001689</a> | Whell set idle<br>Groove width 85 mm     |             | 1        |
| 6    | <a href="#">VT0001690</a> | Whell set idle<br>Groove width 90 mm     |             | 1        |
| 6    | <a href="#">VT0001691</a> | Whell set idle<br>Groove width 95 mm     |             | 1        |

|   |                  |                                       |  |   |
|---|------------------|---------------------------------------|--|---|
| 6 | <u>VT0001692</u> | Wheel set idle<br>Groove width 100 mm |  | 1 |
| 7 | <u>VT0001033</u> | Buffer                                | 80x68 - D2240<br>A partir / From H0315168<br>Sommier / End carriage B        | 2 |
| 7 | <u>VT0001730</u> | Buffer                                | 100x85-12x30 - D2241<br>A partir / From H0315168<br>Sommier / End carriage C | 2 |
| 7 | <u>VT0001723</u> | Buffer                                | 100x150-12X40<br>Sommier / End carriage E                                    | 2 |
| 7 | <u>VT0001731</u> | Buffer                                | D2242<br>Sommier / End carriage D  | 2 |
| 7 | <u>VT0001725</u> | Buffer                                | Sommier / End carriage F   | 2 |
| 7 | <u>VT0001726</u> | Buffer                                | Sommier / End carriage H   | 2 |
| 7 | <u>VT0001728</u> | Buffer                                | Sommier / End carriage I   | 2 |
| 7 | <u>VT0001724</u> | Buffer                                | Sommier / End carriage M   | 2 |
| 7 | <u>VT0001727</u> | Buffer                                | Sommier / End carriage P   | 2 |
| 7 | <u>VT0001729</u> | Buffer                                | Sommier / End carriage S   | 2 |

## 8) Travelling motor type MF06 - Compact brake

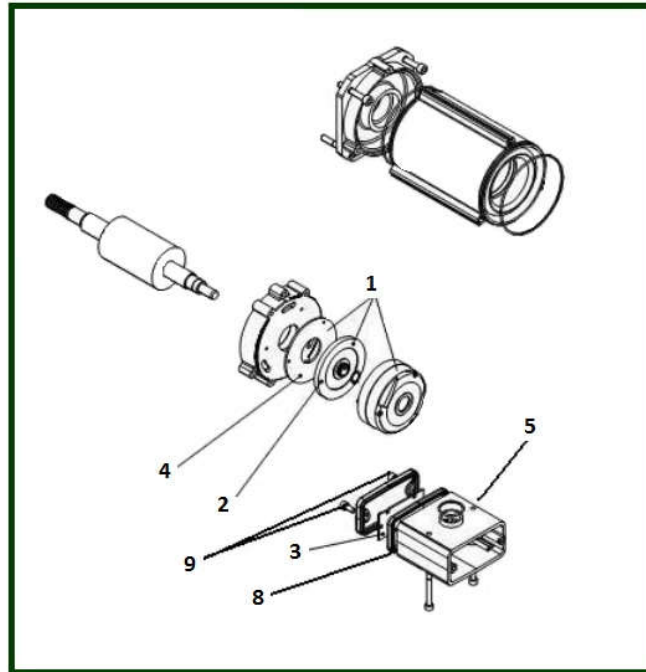
(MF06MA100, MA200, LA100, LA200, LA20P)



| item | reference                 | description         | observation                | Quantity |
|------|---------------------------|---------------------|----------------------------|----------|
| 1    | <a href="#">VT0001548</a> | Brake repairing set | MF 06                      | 1        |
| 2    | <a href="#">VT0000728</a> | Junction box        | MF06                       | 1        |
| 8    | <a href="#">52264520</a>  | Terminal box gasket |                            | 1        |
| 9    | <a href="#">52271722</a>  | Fixing screw        |                            | 1        |
| -    | <a href="#">52302321</a>  | Female plug set     | MF 06<br>10 broches / pins | 1        |
| -    | <a href="#">52296674</a>  | Filter VT007        |                            | 1        |
| -    | <a href="#">52272627</a>  | Inverter VT007      |                            | 1        |

## 9) Travelling motor type MF06 - Electrical brake

(MF06LB100/MF06LB200)



## **9.1) Travelling motor type MF06 LA100/LB100**

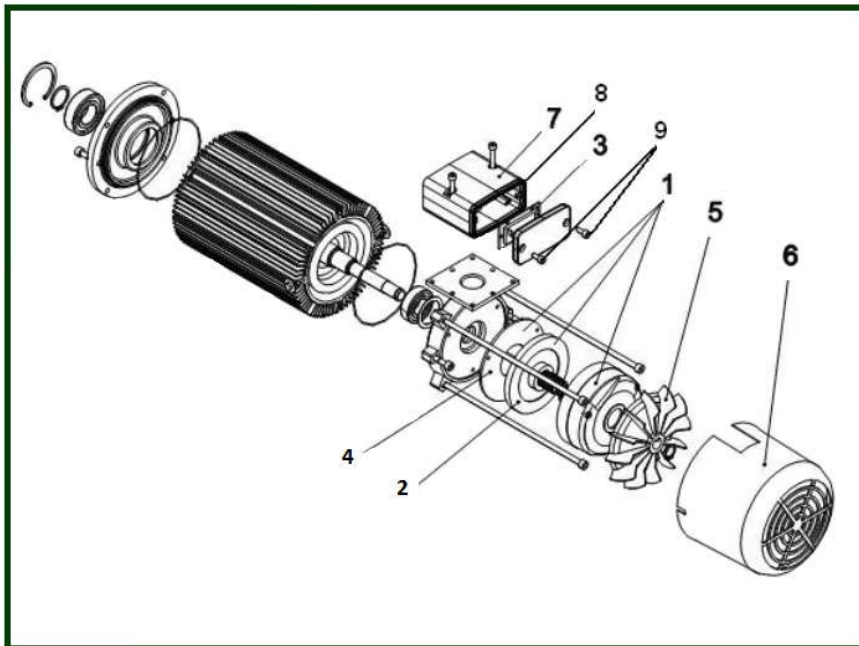
| <b>item</b> | <b>reference</b> | <b>description</b>  | <b>observation</b>         | <b>Quantity</b> |
|-------------|------------------|---------------------|----------------------------|-----------------|
| 1           | <u>VT0001546</u> | Brake - 100V        | Moteur / Motor 230 V       | 1               |
| 1           | <u>VT0001545</u> | Brake - 180V        | Moteur / Motor 400V        | 1               |
| 2           | <u>VT0001549</u> | Brake disk          | MF 06                      | 1               |
| 3           | <u>15823007</u>  | Rectifier           | Moteur / Motor 220V        | 1               |
| 3           | <u>15823006</u>  | Rectifier           | Moteur / Motor 380 à 550V  | 1               |
| 5           | <u>VT0000728</u> | Junction box        | MF06                       | 1               |
| 8           | <u>52264520</u>  | Terminal box gasket |                            | 1               |
| 9           | <u>52271722</u>  | Fixing screw        |                            | 1               |
| -           | <u>52302321</u>  | Female plug set     | MF 06<br>10 broches / pins | 1               |



## 9.2) Travelling motor type MF06 LA104/MA104

| item | reference         | description  | observation   | Quantity |
|------|-------------------|--|---|----------|
|      | <u>VT0002846</u>  | Brake disc 180V  | MF06MA104   | 1        |
|      | <u>VT0001547</u>  | Brake disc   |   | 1        |
|      | <u>VT0001552</u>  | Friction plate   |   | 1        |
|      | <u>VT1212LN01</u> | Junction box   |   | 1        |
|      | <u>VT0001550</u>  | Rectifier - crane  |   | 1        |
| -    | <u>VT0001532</u>  | Cross or long travelling motor<br>0.45/0.10KW 3000/750 TR/MIN<br>380V-415V 50HZ 440V/480V 60HZ | Pignon sortie moteur Z=11 pour réducteur GES/GEK<br>Output motor pinion Z=11 for gear GES/GEK | 1        |

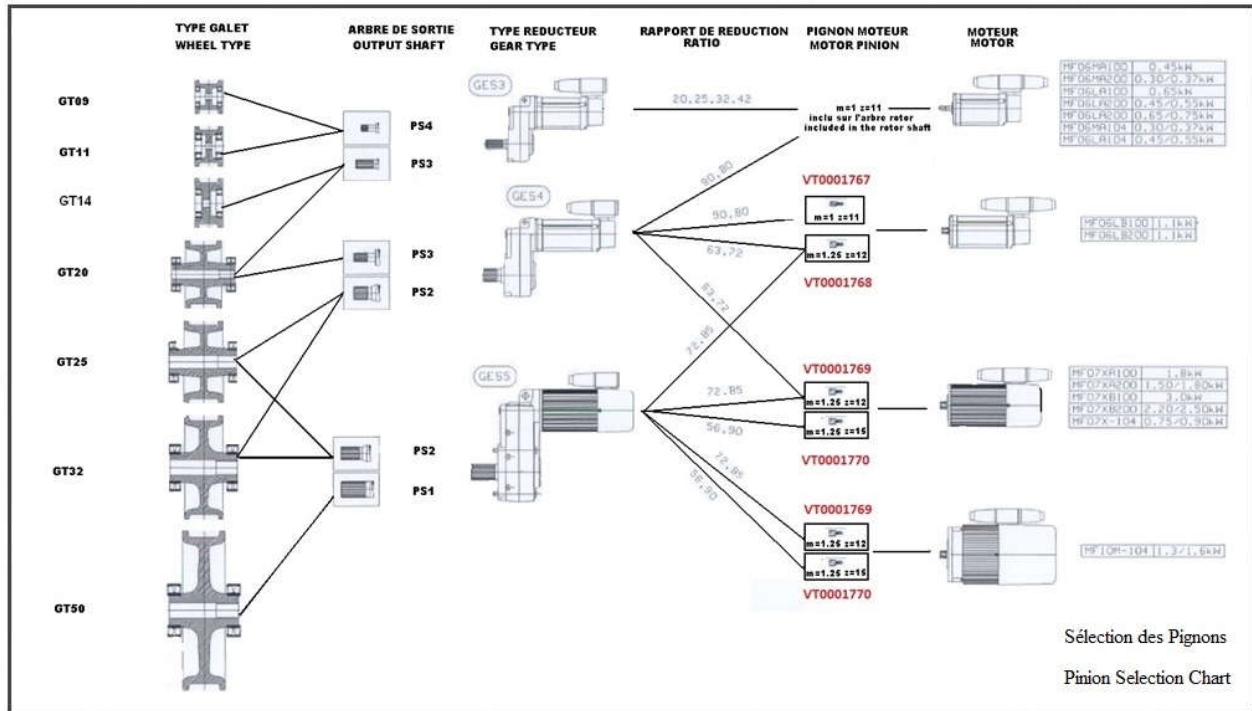
## 10) Travelling motor type MF07X



| item | reference                 | description           | observation                | Quantity |
|------|---------------------------|-----------------------|----------------------------|----------|
| 1    | <a href="#">52318993</a>  | Complete brake - 180V |                            | 1        |
| 1    | <a href="#">52318995</a>  | Complete brake - 240V |                            | 1        |
| 2    | <a href="#">VT0001559</a> | Brake disk            |                            | 1        |
| 3    | <a href="#">15823007</a>  | Rectifier             | Moteur / Motor 220V        | 1        |
| 3    | <a href="#">15823006</a>  | Rectifier             | Moteur / Motor 380 à 550V  | 1        |
| 4    | <a href="#">VT0001560</a> | Friction disk         |                            | 1        |
| 5    | <a href="#">VT0001561</a> | Fan                   |                            | 1        |
| 6    | <a href="#">VT0001563</a> | Motor cover           |                            | 1        |
| 7    | <a href="#">VT0001564</a> | Terminal box          | GES/MF07X                  | 1        |
| 8    | <a href="#">52264520</a>  | Terminal box gasket   |                            | 1        |
| 9    | <a href="#">52271722</a>  | Fixing screw          |                            | 1        |
| -    | <a href="#">52302321</a>  | Female plug set       | MF 06<br>10 broches / pins | 1        |

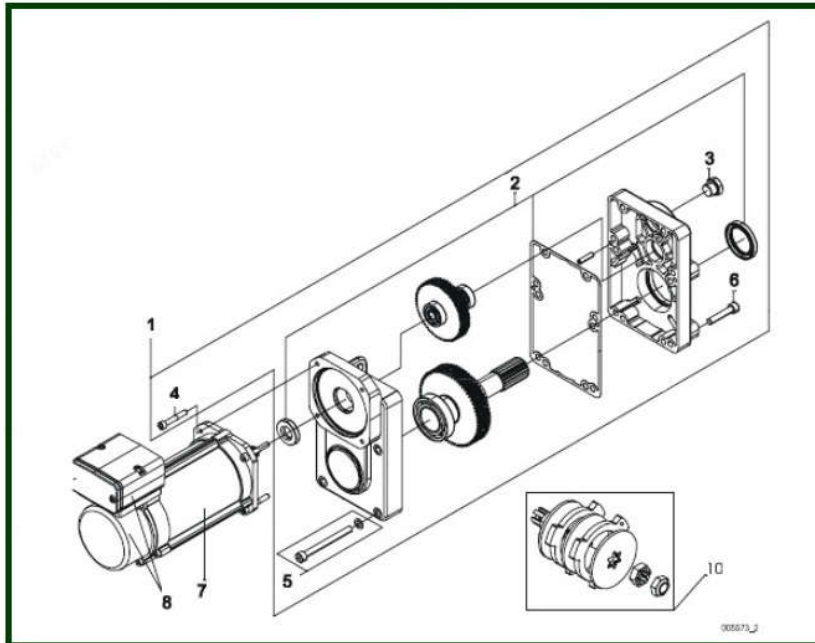
# 11) Gearbox

De 2000 à 2011 / From 2000 to 2011



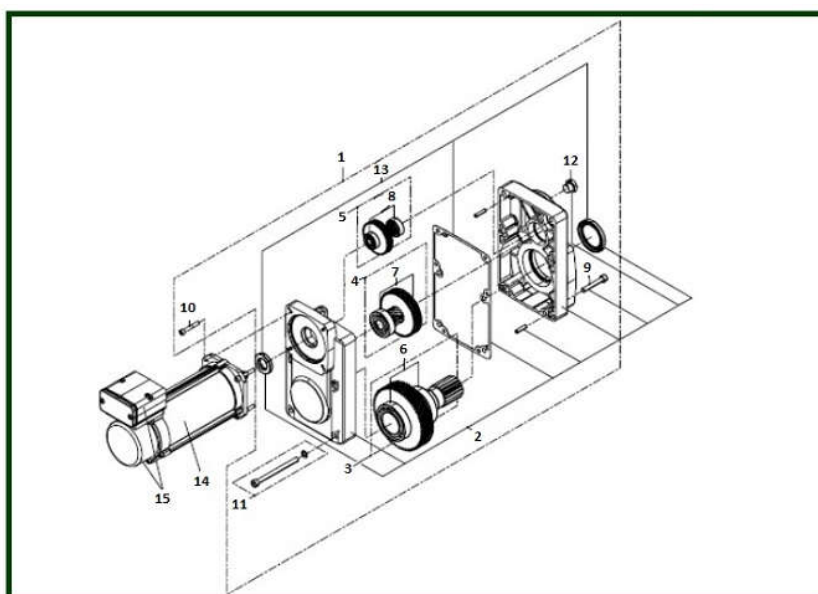
| item | reference                 | description                             | observation   | Quantity |
|------|---------------------------|---|---|----------|
| 1    | <a href="#">VT0001767</a> | Pignon 11 teeth - m : 1 - Axe Ø 10mm    | Les pignons doivent être impérativement commandés avec les moteurs<br>Pinions must be ordered with motors | 1        |
| 1    | <a href="#">VT0001768</a> | Pignon 12 teeth - m : 1.25 - Axe Ø 10mm | Les pignons doivent être impérativement commandés avec les moteurs<br>Pinions must be ordered with motors | 1        |
| 1    | <a href="#">VT0001769</a> | Pignon 12 teeth - m : 1.25 - Axe Ø 12mm | Les pignons doivent être impérativement commandés avec les moteurs<br>Pinions must be ordered with motors | 1        |
| 1    | <a href="#">VT0001770</a> | Pignon 15 teeth - m : 1.25 - Axe Ø 12mm | Les pignons doivent être impérativement commandés avec les moteurs<br>Pinions must be ordered with motors | 1        |

## 11.1) GES3



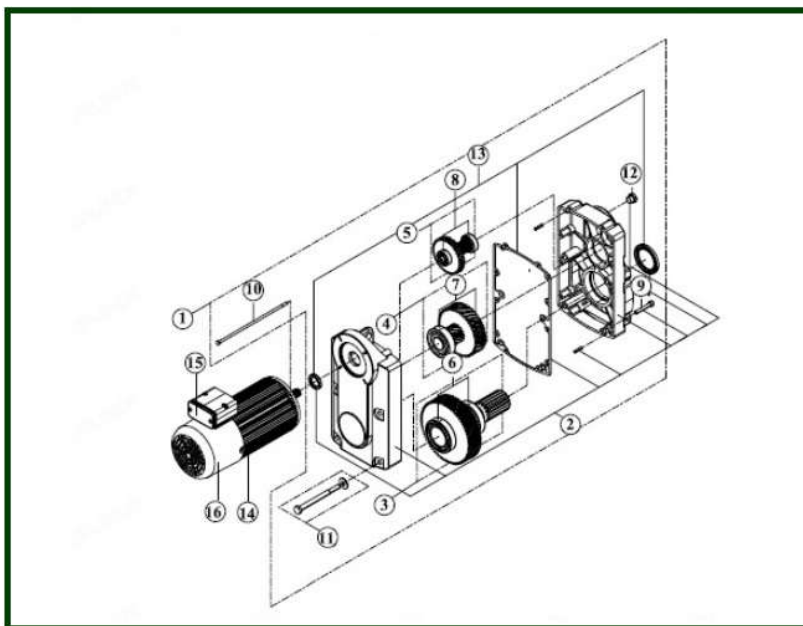
| item | reference                 | description                 | observation   | Quantity |
|------|---------------------------|-----------------------------|---------------|----------|
| 1    | <a href="#">VT0001264</a> | GES320PS3                   | MF06MA/MF06LA | 1        |
| 1    | <a href="#">VT0001268</a> | GES320PS4                   | MF06MA/MF06LA | 1        |
| 1    | <a href="#">VT0001263</a> | GES325PS3                   | MF06MA/MF06LA | 1        |
| 1    | <a href="#">VT0001267</a> | GES325PS4                   | MF06MA/MF06LA | 1        |
| 1    | <a href="#">VT0001262</a> | GES332PS3                   | MF06MA/MF06LA | 1        |
| 1    | <a href="#">VT0001266</a> | GES332PS4                   | MF06MA/MF06LA | 1        |
| 1    | <a href="#">VT0001261</a> | GES342PS3                   | MF06MA/MF06LA | 1        |
| 1    | <a href="#">VT0001265</a> | GES342PS4                   | MF06MA/MF06LA | 1        |
| 2    | <a href="#">VT0001269</a> | Sealing set                 |               | 1        |
| 3    | <a href="#">VT0001144</a> | Breather                    |               | 1        |
| 4    | <a href="#">VT0001270</a> | Screws set                  |               | 1        |
| 5    | <a href="#">VT0001271</a> | Screw + washer fixing motor |               | 1        |
| 6    | <a href="#">VT0001272</a> | Screws set                  |               | 1        |

## 11.2) GES4



| item | reference                 | description            | observation                                      | Quantity |
|------|---------------------------|------------------------|--|----------|
| 1    | <a href="#">VT0001279</a> | GES4BOPS2              | Pour moteur / For motor MF06LB                   | 1        |
| 1    | <a href="#">VT0001277</a> | GES4BOPS2              | Pour moteur / For motor MF06MA/LA                | 1        |
| 1    | <a href="#">VT0001280</a> | GES4BOPS3              | Pour moteur / For motor MF06LB                   | 1        |
| 1    | <a href="#">VT0001278</a> | GES4BOPS3              | Pour moteur / For motor MF06MA/LA                | 1        |
| 1    | <a href="#">VT0001281</a> | GES463PS2              | Pour moteur / For motor MF06MA/LA                | 1        |
| 1    | <a href="#">VT0001283</a> | GES463PS2              | Pour moteur / For motor MF07X                    | 1        |
| 1    | <a href="#">VT0001282</a> | GES463PS3              | Pour moteur / For motor MF06LB                   | 1        |
| 1    | <a href="#">VT0001284</a> | GES463PS3              | Pour moteur / For motor MF07X                    | 1        |
| 1    | <a href="#">VT0001285</a> | GES472PS2              | Pour moteur / For motor MF06LB                   | 1        |
| 1    | <a href="#">VT0001287</a> | GES472PS2              | Pour moteur / For motor MF07X                    | 1        |
| 1    | <a href="#">VT0001286</a> | GES472PS3              | Pour moteur / For motor MF06LB                   | 1        |
| 1    | <a href="#">VT0001288</a> | GES472PS3              | Pour moteur / For motor MF07X                    | 1        |
| 1    | <a href="#">VT0001276</a> | GES490PS2              | Pour moteur / For motor MF06LB                   | 1        |
| 1    | <a href="#">VT0001275</a> | GES490PS2              | Pour moteur / For motor MF06MA/LA                | 1        |
| 1    | <a href="#">VT0001274</a> | GES490PS3              | Pour moteur / For motor MF06LB                   | 1        |
| 1    | <a href="#">VT0001273</a> | GES490PS3              | Pour moteur / For motor MF06MA/LA                | 1        |
| 2    | <a href="#">VT0001290</a> | Gear housing           | Pour moteur / For motor MF06LB                   | 1        |
| 2    | <a href="#">VT0001291</a> | Gear housing           | Pour moteur / For motor MF06MA/LA                | 1        |
| 2    | <a href="#">VT0001289</a> | Gear housing           | Pour moteur / For motor MF07X                    | 1        |
| 3    | <a href="#">VT0001295</a> | Output gear shaft PS2  |  | 1        |
| 3    | <a href="#">VT0001293</a> | Output gear shaft PS3  |  | 1        |
| 4    | <a href="#">VT0001298</a> | First step             | Pour réducteur / For gear GES463 & GES490        | 1        |
| 4    | <a href="#">VT0001299</a> | First step             | Pour réducteur / For gear GES472 & GES4BOP       | 1        |
| 5    | <a href="#">VT0001303</a> | Second step            | Pour réducteur / For gear GES4BOP & GES490       | 1        |
| 5    | <a href="#">VT0001300</a> | Second step            | Pour réducteur / For gear GES463                 | 1        |
| 5    | <a href="#">VT0001301</a> | Second step            | Pour réducteur / For gear GES472                 | 1        |
| 5    | <a href="#">VT0001302</a> | Second step            | Pour réducteur / For gear GES490 & GES490        | 1        |
| 6    | <a href="#">VT0001304</a> | Bearing set            | 3è train / Step                                  | 1        |
| 7    | <a href="#">VT0001305</a> | Bearing set            | 2è train / Step                                  | 1        |
| 8    | <a href="#">VT0001306</a> | Bearing set            | 1er train / Step                                 | 1        |
| 9    | <a href="#">VT0001307</a> | Gear fixing screws set |  | 1        |
| 10   | <a href="#">VT0001308</a> | Motor fixing set       | Pour moteur / For motor MF06MA/LA/LB             | 1        |
| 10   | <a href="#">VT0001142</a> | Motor fixing set       | Pour moteur / For motor MF07X                    | 1        |
| 11   | <a href="#">VT0001309</a> | Fixing screws          | Réducteur sur sommier / Gear on the end carriage | 1        |
| 12   | <a href="#">VT0001144</a> | Breather               |  | 1        |
| 13   | <a href="#">VT0001311</a> | Sealing set            | Pour moteur / For motor MF06LB /MF07EA           | 1        |
| 13   | <a href="#">VT0001312</a> | Sealing set            | Pour moteur / For motor MF06MA/LA                | 1        |
| 13   | <a href="#">VT0001310</a> | Sealing set            | Pour moteur / For motor MF07X                    | 1        |

## 11.3) GES5



| item | reference                 | description           | observation                              | Quantity |
|------|---------------------------|-----------------------|--|----------|
| 1    | <a href="#">VT0001325</a> | GE556PS1              | Pour moteur / For motor MF07X            | 1        |
| 1    | <a href="#">VT0001327</a> | GE556PS1              | Pour moteur / For motor MF10M            | 1        |
| 1    | <a href="#">VT0001319</a> | GES5B5PS1             | Pour moteur / For motor MF06LB           | 1        |
| 1    | <a href="#">VT0001321</a> | GES5B5PS1             | Pour moteur / For motor MF07X            | 1        |
| 1    | <a href="#">VT0001323</a> | GES5B5PS1             | Pour moteur / For motor MF10M            | 1        |
| 1    | <a href="#">VT0001320</a> | GES5B5PS2             | Pour moteur / For motor MF06LB           | 1        |
| 1    | <a href="#">VT0001322</a> | GES5B5PS2             | Pour moteur / For motor MF07X            | 1        |
| 1    | <a href="#">VT0001324</a> | GES5B5PS2             | Pour moteur / For motor MF10M            | 1        |
| 1    | <a href="#">VT0001326</a> | GES556PS2             | Pour moteur / For motor MF07X            | 1        |
| 1    | <a href="#">VT0001328</a> | GES556PS2             | Pour moteur / For motor MF10M            | 1        |
| 1    | <a href="#">VT0001313</a> | GES572PS1             | Pour moteur / For motor MF06LB           | 1        |
| 1    | <a href="#">VT0001315</a> | GES572PS1             | Pour moteur / For motor MF07X            | 1        |
| 1    | <a href="#">VT0001317</a> | GES572PS1             | Pour moteur / For motor MF10M            | 1        |
| 1    | <a href="#">VT0001314</a> | GES572PS2             | Pour moteur / For motor MF06LB           | 1        |
| 1    | <a href="#">VT0001316</a> | GES572PS2             | Pour moteur / For motor MF07X            | 1        |
| 1    | <a href="#">VT0001318</a> | GES572PS2             | Pour moteur / For motor MF10M            | 1        |
| 1    | <a href="#">VT0001329</a> | GES590PS1             | Pour moteur / For motor MF07X            | 1        |
| 1    | <a href="#">VT0001331</a> | GES590PS1             | Pour moteur / For motor MF10M            | 1        |
| 1    | <a href="#">VT0001330</a> | GES590PS2             | Pour moteur / For motor MF07X            | 1        |
| 1    | <a href="#">VT0001332</a> | GES590PS2             | Pour moteur / For motor MF10M            | 1        |
| 2    | <a href="#">VT0000928</a> | Gear housing          | Pour moteur / For motor MF06LB           | 1        |
| 2    | <a href="#">VT0001333</a> | Gear housing          | Pour moteur / For motor MF07X et MF10M   | 1        |
| 3    | <a href="#">VT0000929</a> | Output gear shaft PS1 |  | 1        |
| 3    | <a href="#">VT0000930</a> | Output gear shaft PS2 |  | 1        |
| 4    | <a href="#">VT0000931</a> | 1st step              | Pour réducteur / For gear GES556 /GES572 | 1        |
| 4    | <a href="#">VT0000932</a> | 1st step              | Pour réducteur / For gear GES590 GES5B5  | 1        |
| 5    | <a href="#">VT0001132</a> | 2nd step              | Pour réducteur / For gear GES5B5         | 1        |
| 5    | <a href="#">VT0000933</a> | 2nd step              | Pour réducteur / For gear GES556         | 1        |
| 5    | <a href="#">VT0000934</a> | 2nd step              | Pour réducteur / For gear GES572         | 1        |
| 5    | <a href="#">VT0000935</a> | 2nd step              | Pour réducteur / For gear GES590         | 1        |