

Spare parts catalogue for " J crane"

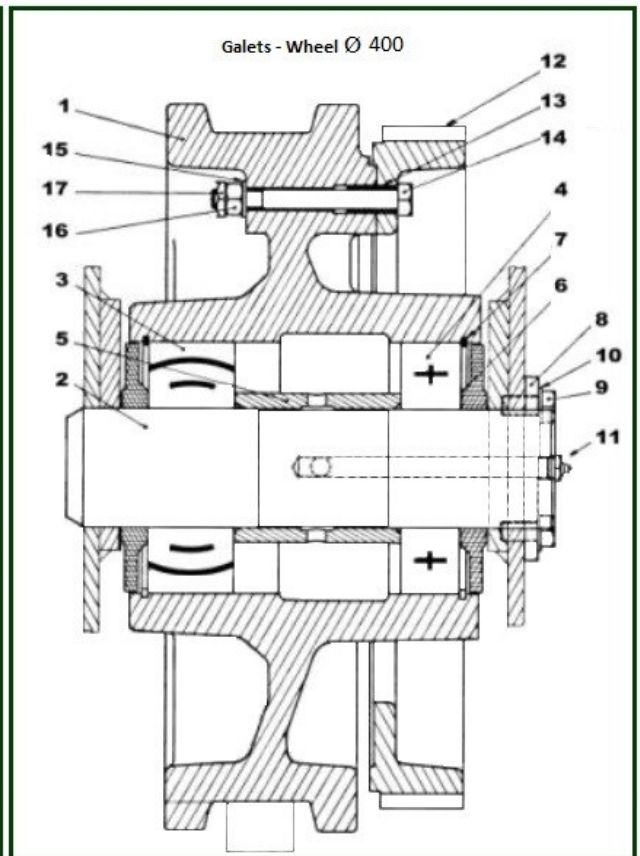
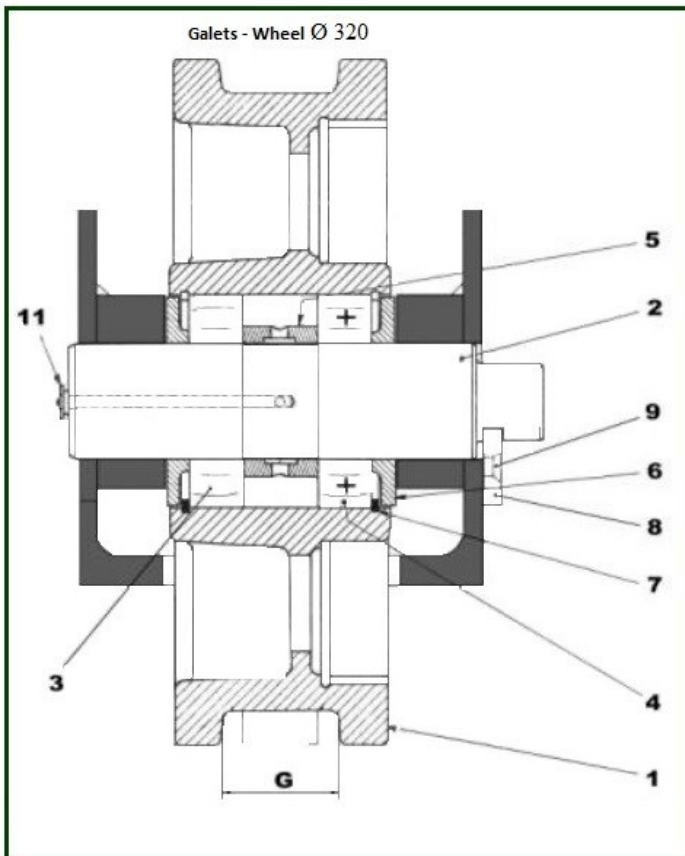
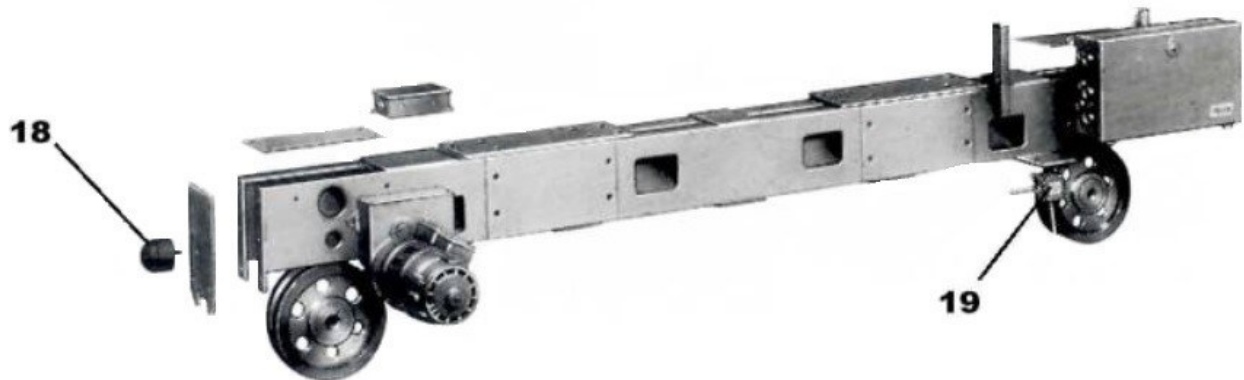
To avoid errors, when ordering please specify:

- Complete type of hoist
- Date of manufacture and serial number
- Spare part code
- Spare part designation
- Additional information



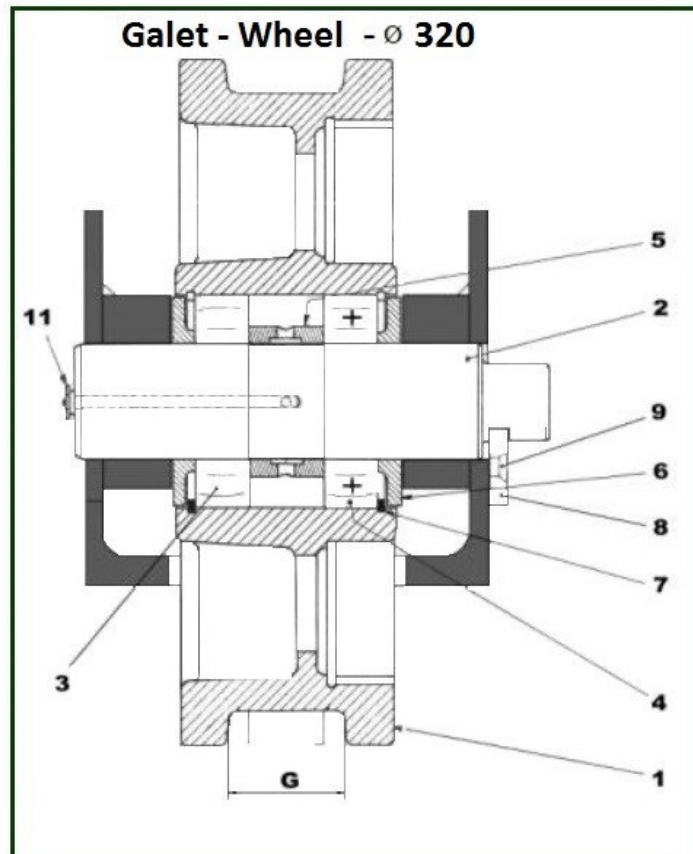
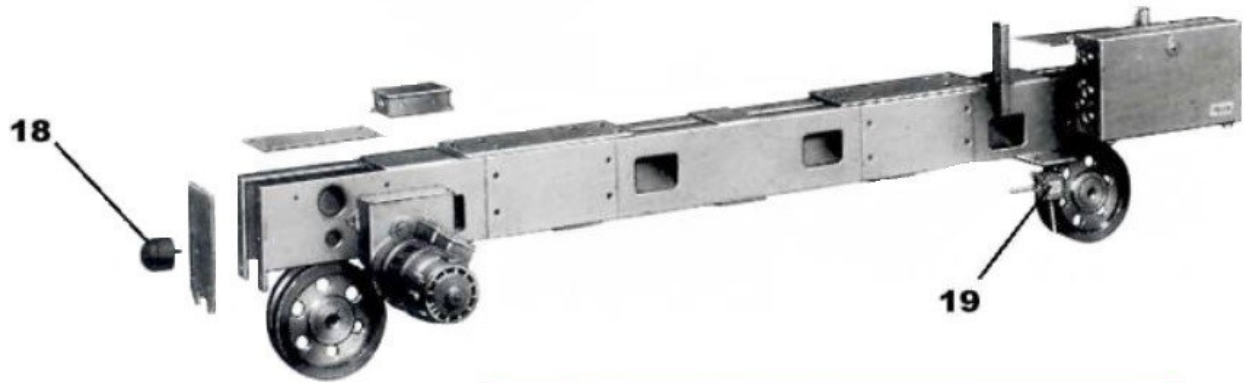
1. WHEEL - Ø 320 and 400.....	2
1.1. Wheel - Ø 320.....	3
1.2. Wheel - Ø 400.....	5
2. MOTORGearBOXES	7
3. GearBOXES.....	10
4. ELECTRICAL EQUIPMENT	13

1. WHEEL - Ø 320 and 400



1.1. Wheel - Ø 320

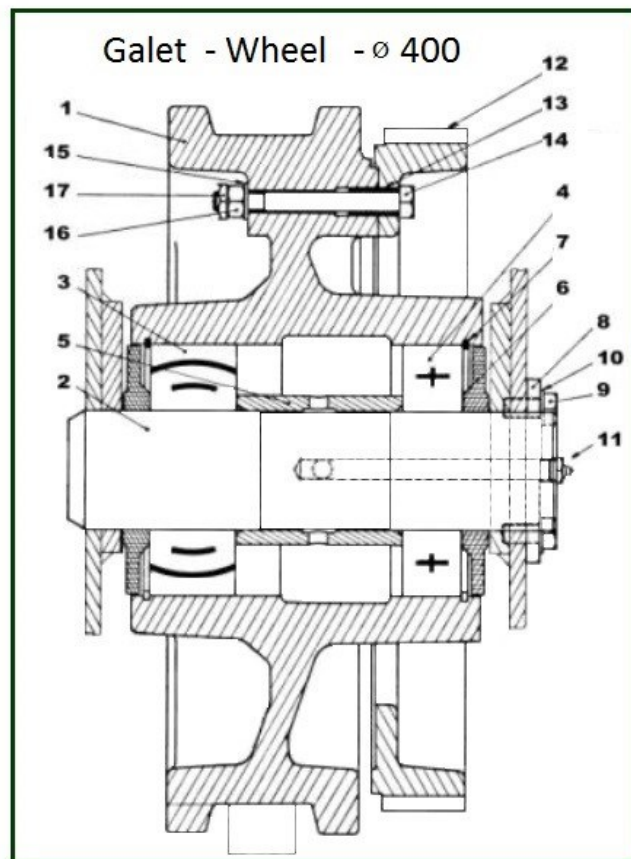
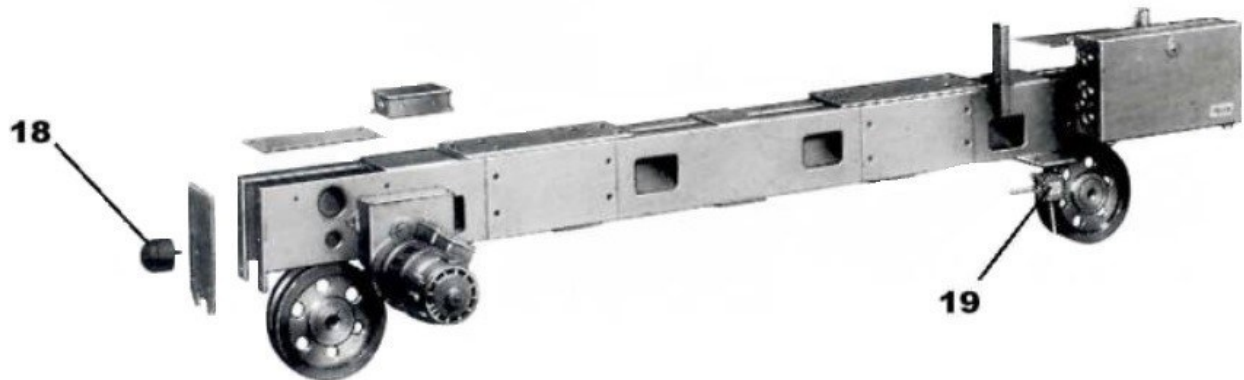
G = Groove



Wheel - ø 320

Item	Reference	Description	Observation	Quantity
1	5843021K	Geared wheel only G60	128 teeth	2
1	5843022L	Geared wheel only G70	128 teeth	2
1	5843024P	Geared wheel only G70	128 teeth - Treated	2
1	5843025R	Geared wheel only G80	128 teeth	2
1	5843011Z	Ungeared wheel only G60		2
1	5843012A	Ungeared wheel only G70		2
1	5843014C	Ungeared wheel only G70	Treated	2
2	5871132R	Geared wheel axle - Ø 50	Before 1980	2
2	5843032X	Geared wheel axle - Ø 60	After 1980	2
2	5871131Q	Ungeared wheel axle - Ø 50	Before 1980	2
2	5843031W	Ungeared wheel axle - Ø 60	After 1980	2
3	7425105S	Ball bearing - Bore 50 - 8000Kg	Before 1980	8
3	7425120H	Ball bearing - Bore 60	After 1980	8
4	7413100T	Ball bearing - Bore 50 - 5000Kg		8
5	5843033Y	Spacer ring 60 x 76 x 40 (roul. 7425120H)	After 1980	4
5	5871101G	Spacer ring 98 x 108 x 16 (roul. 7425105S)	Before 1980	4
5	5843021S	Spacer ring 98 x 108 x 42 (roul. 7413100T)	Before 1980	4
6	5871102H	Shouldered ring 50 x 108 x 11,5	Before 1980	8
6	5843034Z	Shouldered ring 60 x 108 x 11,5	After 1980	8
7	7261110L	Interior circlip110	DA-RD	8
8	5843042H	Keep plate (geared wheel - axle = 60)	After 1980	2
8	5843041G	Keep plate (ungeared wheel - axle = 60)		2
9	7216557J	FHC screw 90 M 10 x 25	After 1980	4
9	7211553V	HM screw 10 x 16	Before 1980	4
11	7492204A	Lubrificant M8/125		2
18	7911001P	Buffer- Ø 100		4
19	7541312D	Limit switch	1 step	1
-	7661105P	Earth brush	150 amp.	2

1.2. Wheel - Ø 400



Wheels- ø 400

Item	Reference	Description	Observation	Quantity
1	<u>5854022T</u>	Geared wheel only G70		2
1	<u>5854024V</u>	Geared wheel only G70	Treated	2
1	<u>5854012G</u>	Ung geared wheel only G70		2
1	<u>5854014J</u>	Ung geared wheel only G70	Treated	2
2	<u>5854031C</u>	Wheel axle	Lg 292mm	4
3	<u>7425145K</u>	Roller bearing bore 70		8
4	<u>7413140L</u>	Ball bearing bore 70		8
5	<u>5854033E</u>	Spacer ring		4
6	<u>5874032D</u>	Shouldered ring		8
7	<u>7261150E</u>	Interior circlip - 150	E / EA	8
8	<u>5263817R</u>	Stopping plate		4
9	<u>7211655F</u>	Screw HM 12 x 25		8
10	<u>7232120A</u>	Grower washer 12		8
12	<u>5854041P</u>	100 teeth ring		2
13	<u>7273706C</u>	Mecanindus Ø 16 x 30		8
14	<u>7211672Z</u>	HM screw 12 x 110	D & DA & RD	8
16	<u>7221120U</u>	HM nut 12		8
17	<u>7223120T</u>	PAL nut 12		8
18	<u>7661105P</u>	Earth brush	150 amp.	2
19	<u>7541312D</u>	Limit switch	1 step	1
-	<u>7911001Q</u>	Buffer set - Ø 100		4

2. MOTORGearBOXES

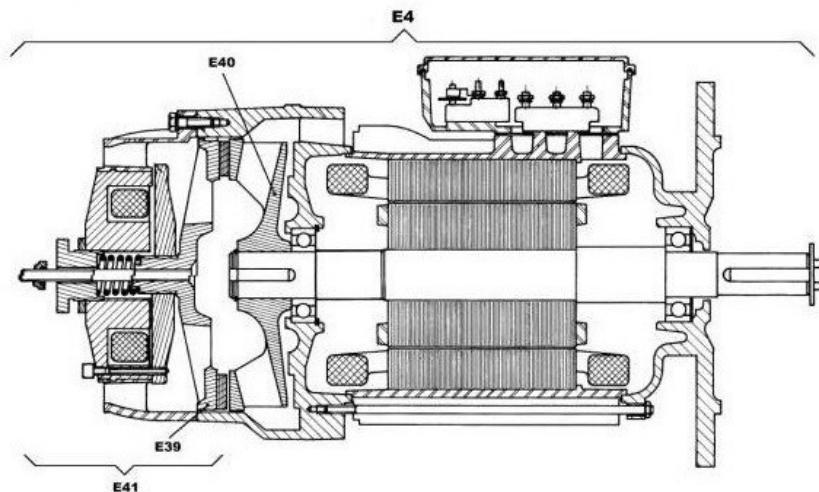
CHOIX DES MOTOREDUCTEURS / MOTORGearBOXES CHOICE									
Ø GALETS	M/min	REDUCTEUR			MOTEUR				
		Code	Observations	Nombre d'entrées	Puissance Kw	Vitesse T/min	B.A.	Code	Type
320	20	3844010X	A	1	0,48	1500	19	7352252D	LS80L1FCO
					0,75			7352262Q	LS80L2FCO
	30	3844011Y	B	1	0,75	1500	19	7352262Q	LS80L2FCO
					1,1			24	7353222H
	40/10	3844010X	A	1	1,1/0,29	3000/750	24	7353432L	LS90L3FCO
					1,450,37			24	7353262B 7353030Z
400	20	3854010S	D	1	0,75	1500	19	7352262Q	LS80L2FCO
	30	3854011T	E	1	1,1	1500	24	7353222H	LS90L1FCO
	40/10	3854012U	F	2	1,450,37	1500/750	24	7353262B 7353030Z	LS90L2FCO LS90L2

Réducteur 60/15 m/min, nous consulter - Gearbox 60/15 m/min, consult us

DC 1 REDUCTEUR / GEAR BOX



MOTEUR-FREIN FCO



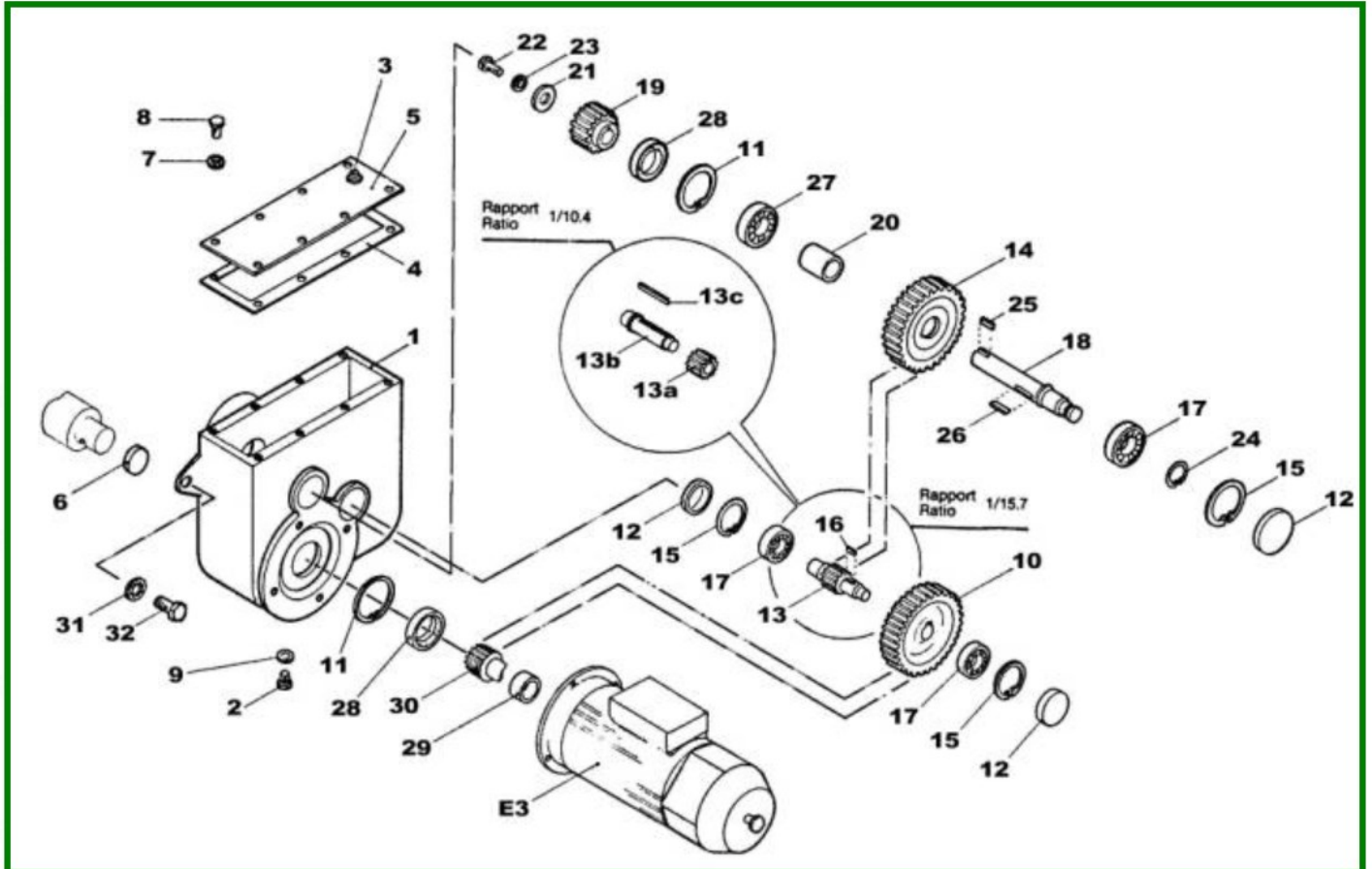
Motor gearboxes

Item	Reference	Description	Observation	Quantity
DC1	Consult us	Gearbox - 10/2,5m/mn	Ø 320	2
DC1	Consult us	Gearbox - 15m/mn	Ø 320	2
DC1	<u>3844010X</u>	Gearbox - 20m/mn or 40/10m/min	Ø 320	2
DC1	Consult us	Gearbox - 20/5m/mn	Ø 320	2
DC1	<u>3844011Y</u>	Gearbox - 30m/mn	Ø 320	2
DC1	Consult us	Gearbox - 30/7,75m/mn	Ø 320	2
DC1	<u>3844012Z</u>	Gearbox - 40/10m/min - 2 entrées	Ø 320	2
DC1	Consult us	Gearbox - 60/15m/mn	Ø 320	2
DC1	<u>3854010S</u>	Gearbox - 20m/mn	Ø 400	2
DC1	<u>3854011T</u>	Gearbox - 30m/mn	Ø 400	2
DC1	<u>3854012U</u>	Gearbox - 40/10m/mn - 2 entrées	Ø 400	2
E4	<u>3854010S</u>	Motor LS80 FCO Flange : 165 x 200 - BA : 19 x 40	0,48-0,12Kw - 3000/750T/min 220/380V 50Hz Not provided anymore	2
E4	<u>3844010X</u>	Motor LS80 FCR Flange : 165 x 200 - BA : 19 x 40	0,75 Kw - 1500T/min 220/380V 50Hz Not provided anymore	2
E4	<u>3844011Y</u>	Motor LS80 FCR Flange : 165 x 200 - BA : 19x40	0,55 Kw - 1500T/min 220/380V 50Hz Not provided anymore	2
E4	<u>3854011T</u>	Motor LS90 FCO Flange : 165 x 200 - BA : 19 x 40	0,75 Kw-0,18Kw - 3000/750T/min Not provided anymore	2
E4	<u>3844012Z</u>	Motor LS90 FCO Flange : 165 x 200 - BA : 24 x 50	1,1 Kw - 1500T/min 50Hz Not provided anymore	2
E4	<u>3854012U</u>	Motor LS90 FCO Flange : 165 x 200 - BA : 24 x 50	Only gearbox - 2 entries 1,45 Kw - 1500T/min Not provided anymore	2
E4	<u>7352452W</u>	Motor LS90 FCO Flange : 165 x 200 - BA : 24 x 50	0,75/0,18Kw - 3000/750T/min Not provided anymore	2
E4	<u>7352262Q</u>	Motor LS90 FCO Flange : 165 x 200 - BA : 24 x 50	1,1/0,29Kw - 3000/750T/min Not provided anymore	2
E4	<u>7352252D</u>	Motor without brake LS90 Flange : 165 x 200 BA : 24 x 50	Only gearbox - 2 entries 0,37Kw 220/380V 50Hz Not provided anymore	2

Motor gearboxes

Item	Reference	Description	Observation	Quantity
E39	<u>P80H17</u>	Lined brake ring set - LS80 FCO		2
E39	<u>18223001</u>	Lined brake ring set - LS90 FCO		2
E40	<u>P80H131</u>	Brake disc set - LS80 FCO		2
E40	<u>P90H131</u>	Brake disc set - LS90 FCO		2
E41	<u>P80HFCO</u>	Complete brake - LS80 FCO 20 V		2
E41	<u>18203001</u>	Complete brake - LS90 FCO 20 V		2

3. GEARBOXES



Gearboxes

Item	Reference	Description	Observation	Quantity
1	5844101J	Reduction housing 1 entry	A, B, D, E	1
1	5844111V	Reduction housing 2 entries	C, F	1
2	5434106N	Drain plug		1
3	5434107P	Breather		1
4	5844102K	Cover gasket 1 entry	A, B, D, E	1
4	5844112W	Cover gasket 2 entries	C, F	1
5	5844103L	Gearbox cover 1 entry	A, B, D, E	1
5	5844113X	Gearbox cover 2 entries	C, F	1
6	5844121F	Seal Ø 40		1
7	7232060K	Grower washer - Ø 8	Standard	8
8	7211353C	HM screw 6 x 16	For rope-drum	8
9	7238170B	Alu. washer	17 x 13,4 x 1,5	1
10	5844201T	96 teeth wheel		1
11	7261062J	Interior circlip	Ø 62	2
12	5234121N	Watertight cap	Ø 52	3
13	5844304E	16 teeth shaft pinion	A, C, D, F	1
13a	5844305F	22 teeth shaft pinion	E	1
13a	5844302C	22 teeth shaft pinion	B	1
13b	5844303D	Intermediate pinion axle	B, E	1
13c	7282084J	Key 8 x 7 x 45	B, E	1
14	5844312P	62 teeth wheel	B, E	1
14	5844311N	68 teeth wheel	A, C, D, F	1
15	7261052Y	Interior circlip	Ø 52	2
16	7282082G	Key 8 x 7 x 25	A, C, D, F	1
17	7412050B	Bearing	A, B, D, E	3
18	P20S331C	Drive pinion axle bore 28	Ø 320 A, B, E before 1977	1
18	5844401K	Drive pinion axle bore 30	Ø 320 A, B, C standard	1
18	5854401E	Drive pinion axle bore 30	Ø 400 D, E, F	1
19	5854402F	18 teeth drive pinion	Ø 400 D, E, F	1
19	5874402V	28 teeth drive pinion bore 28	A, B, C before 1977	1

Gearboxes

Item	Reference	Description	Observation	Quantity
19	5844402L	28 teeth drive pinion bore 30	A, B, C	1
19	PJ32H828	28 teeth drive pinion bore 32	Special	1
20	5844408T	Spacer ring 30 x 40 x 6	Ø 400 C, D, E, F	1
20	5844407S	Spacer ring 30 x 40 x 17	Ø 320 A, B	1
21	5844411W	Washer 11 x 40 x 3		1
22	7211555X	Screw HM 10 x 25		1
23	7232100D	Washer Grower M10	Standard - Automatic brake - DIN12	1
24	7262025F	Exterior circlip	Ø 25	1
25	7281081U	Key 8 x 7 x 30	Ø 320 - A, B, C	1
25	7281086Z	Key 8 x 7 x 60	Ø 400 - D, E, F	1
26	7281083W	Cotter pin 1BR 8 x 7	Ø 320 - A, B, C	1
26	7282085K	Key 8 x 7 x 50	Ø 400 D, E, F	1
27	7412061P	Bearing	C32 - A,B	1
27	7425060T	Bearing Ø 400	C, D, E, F	1
28	7460910K	SIMRIT seal		1
29	5848111T	Ring 37 x 45 x 20	For 1 or 2 input (PV)	1
30	5848101G	High speed pinion (26 teeth bore 19)	For 1 or 2 input (PV)	1
30	5848102H	High speed pinion (26 teeth bore 24)	For 1 or 2 input (PV)	1
30	5848103J	52 teeth motor pinion bore 19	2 input housing	1
30	5848104K	52 teeth motor pinion bore 24	2 input housing	1
31	7231143P	Washer plate Ø 14		2
32	7211708P	Screw HM 14 x 40	Gearbox mounting	2
-	5844621Z	Splined spacer ring 20 x 40 x 7,15		1
-	7262048F	External circlips Ø 48 (for 58 teeth pinion)	2 input housing	1
-	7282062K	Pinion key - 23 teeth	2 BR 6x6x20	1
-	5844601C	26 teeth shaft pinion		1
-	5848112U	Motor pinion washer (for 52 teeth pinion)	2 input housing	1

4. ELECTRICAL EQUIPMENT

Item	Reference	Description	Observation	Quantity
-	<u>7571404N</u>	Fuse 4A 14 x 51		1
-	<u>7571417B</u>	Fuse 25A 14 x 51		1
-	<u>7512211X</u>	Transformer	220V/380V 2 X 24 V (160VA)	1