

Spare parts catalogue for " standard pendant "

To avoid errors, when ordering please specify:

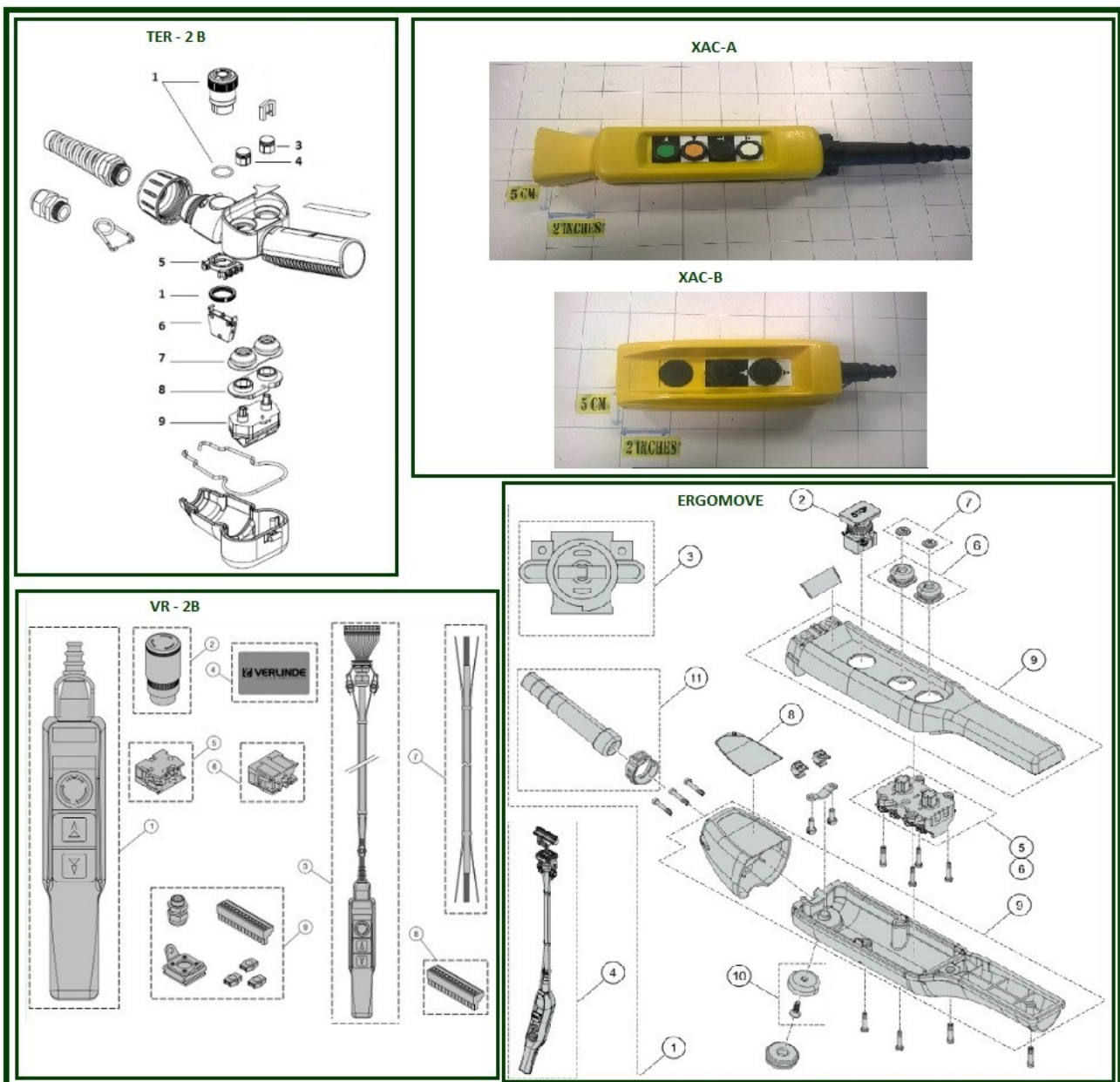
Complete type of hoist

Date of manufacture and serial number

Spare part code

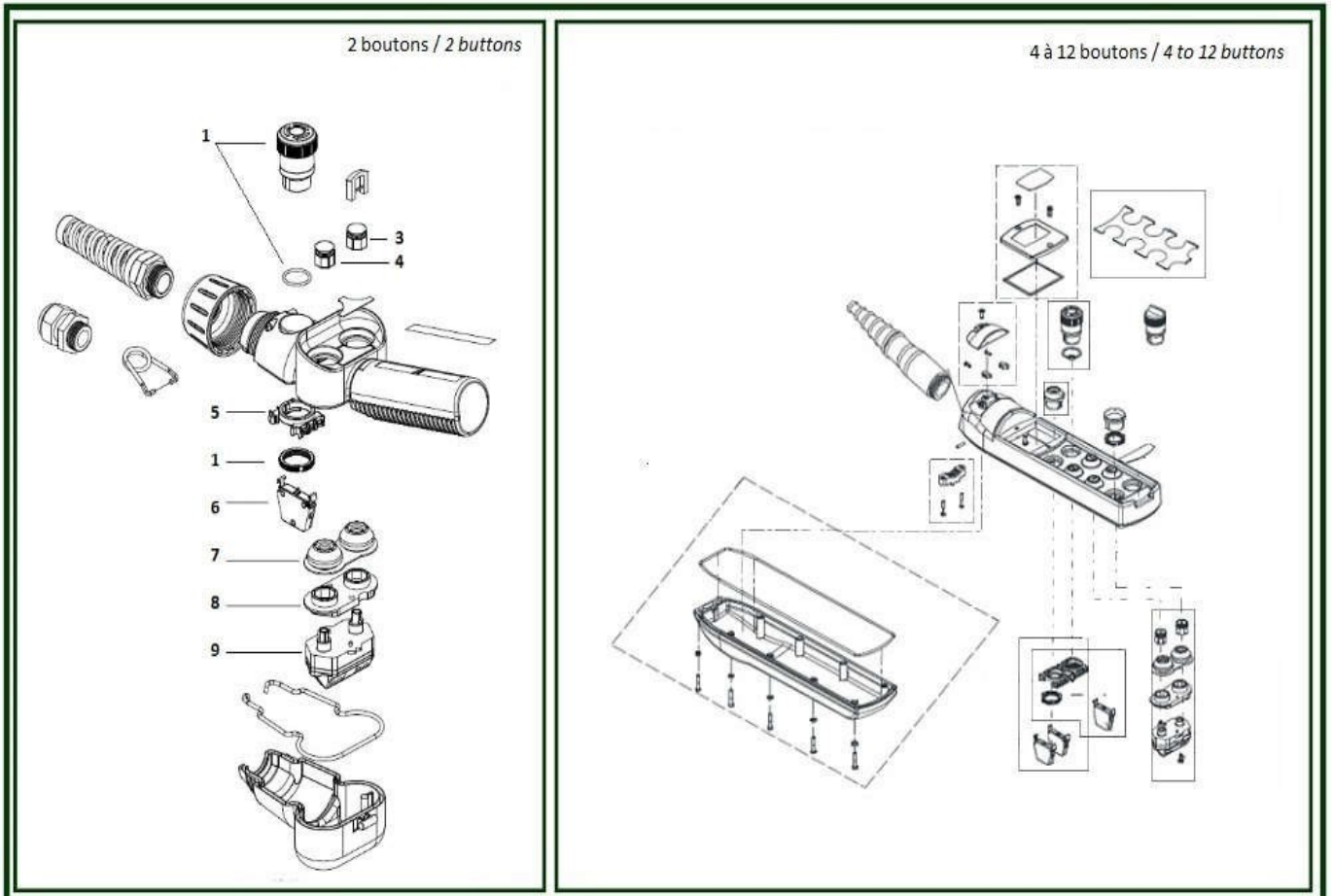
Spare part designation

Additional information

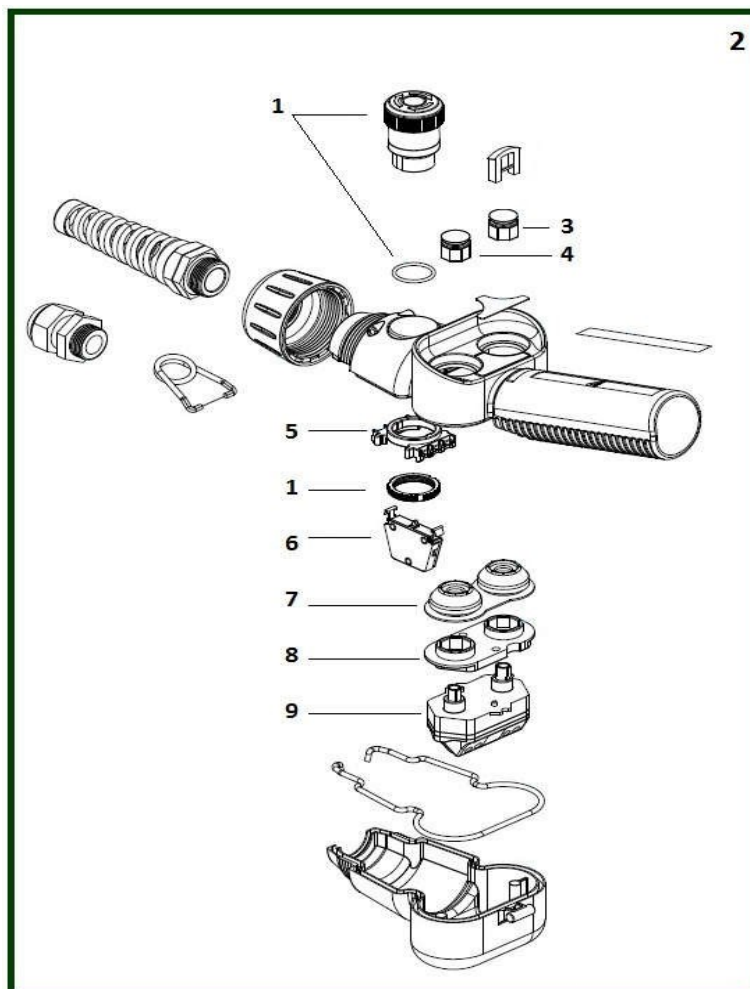


1. TER pendants - From 2002 to 2013.....	3
1.1. 2 buttons - TER.....	4
1.2. 4 to 12 buttons TER.....	5
1.3. Prewired pendants for VL hoist.....	9
1.4. Options.....	10
1.5. Table for composition BAB	11
2. XAC-A pendant - Low voltage - Before 2002.....	12
2.1. Prewired pendants for VL hoist.....	14
2.2. XAC-A pendant - To be assembled.....	16
3. XAC-B pendants - Direct voltage	18
3.1. Pendants to be assembled.....	19
4. PENDANTS - Hoist VR	20
4.1. 2 buttons PBX.....	21
4.2. 4 buttons PBX.....	23
4.3. 6 buttons PBX.....	25
4.4. 2 and 4 buttons ERGOMOVE - Since September 2014	26
4.5. 6 buttons ERGOMOVE - Since September 2014	29
4.6. 10 buttons ERGOMOVE - Since September 2014	31
4.7. 10 buttons ERGOMOVE - Option pendant label	34
5. PENDANTS - VT hoist	36
5.1. PBX - Solo VT - Since November 2011	37
5.2. PBX - VT hoist - Crane kit.....	38
5.3. PBX - Twin hoist.....	39
5.4. 6 buttons ERGOMOVE - Since September 2014	40
5.5. 10 buttons ERGOMOVE - Since September 2014	41
5.6. 10 buttons ERGOMOVE - Option pendant label	43

1. TER pendants - From 2002 to 2013

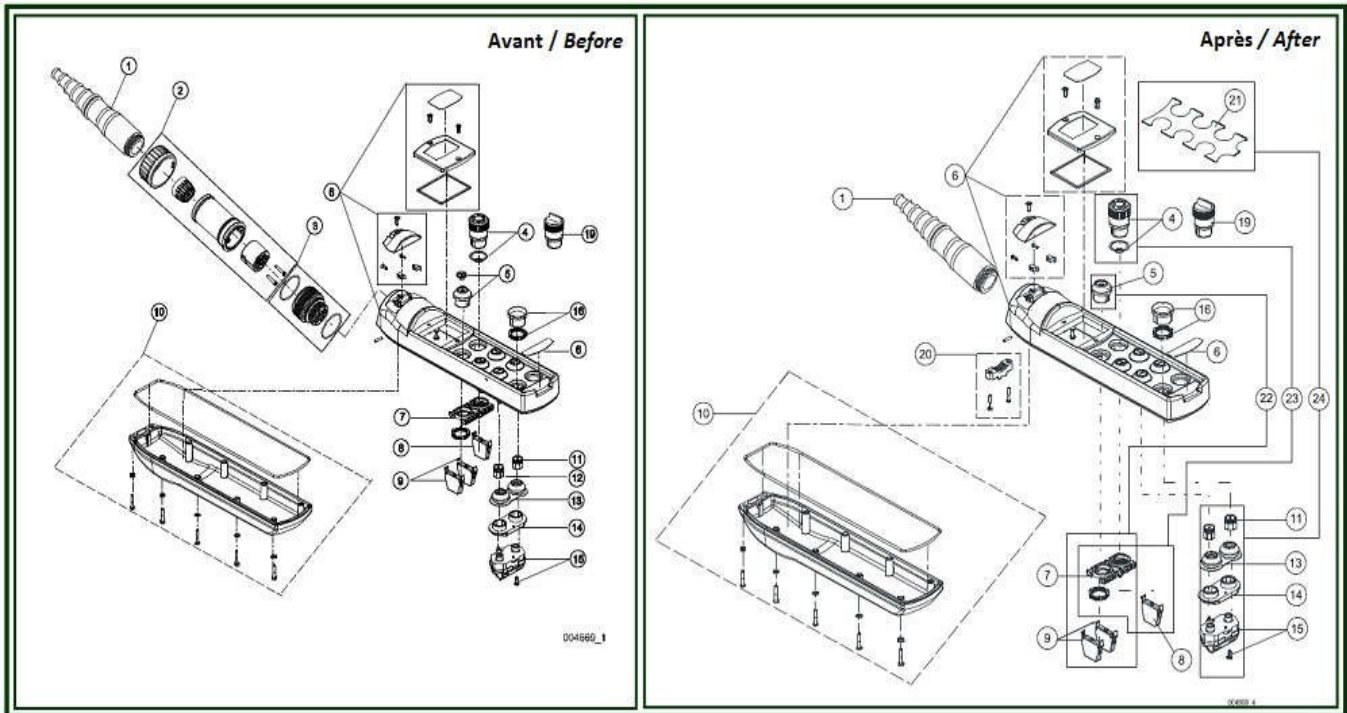


1.1. 2 buttons - TER



Item	Reference	Description	Observation	Quantity
1	VT0001040	Emergency button		1
2	52301832	Push button 2HS+ES		1
3	VT0001050	White button - 2 steps		1
4	VT0001049	Black button - 2 steps		1
5	VT0001167	Plate - 1 step		1
6	VT0001045	Contact plate NC		1
7	VT0001051	Rubber for buttons - 2 steps		1
8	VT0001052	Plate - 2 steps		1
9	VT0001053	Bloc - 2 contacts	2HS-2CT-2LT	1

1.2. 4 to 12 buttons TER



4 to 12 buttons

Item	Reference	Description	Observation	Quantity
1	<u>VT0001035</u>	Sleeve		1
2	<u>VT0001036</u>	Blanking plug		1
3	<u>VT0001037</u>	Wire harness	6 buttons	1
3	<u>VT0001038</u>	Wire harness	8 buttons	1
3	<u>VT0001039</u>	Wire harness	12 buttons	1
4	<u>VT0001040</u>	Emergency button		1
5	<u>VT0001041</u>	ON button	6-8-12 buttons	1
5	<u>VT0003624</u>	ON button		1
6	<u>VT0001042</u>	Cover	6-8 buttons	1
6	<u>VT0001043</u>	Cover	12 buttons	1
6a	<u>VT0002474</u>	MT2 and pendant display unit		1
7	<u>VT0001044</u>	Contact plate		1
8	<u>VT0001045</u>	Contact plate NC		1
9	<u>VT0001046</u>	Contact plate NO		2
10	<u>VT0001047</u>	Cover	8 buttons	1
10	<u>VT0001048</u>	Cover	12 buttons	1
11	<u>VT0001165</u>	Black button - 1 step	Option	1
11	<u>VT0001049</u>	Black button - 2 steps		1
12	<u>VT0001166</u>	White button - 1 step	Option	1
12	<u>VT0001050</u>	White button - 2 steps		1
13	<u>VT0001051</u>	Rubber for buttons - 2 steps		1
14	<u>VT0001167</u>	Plate - 1 step		1
14	<u>VT0001052</u>	Plate - 2 steps		3
15	<u>VT0001168</u>	Kit bloc - 2 contacts	1HS-1CT-1LT	1
15	<u>VT0001053</u>	Kit bloc - 2 contacts	2HS-2CT-2LT	1
16	<u>VT0001054</u>	Blanking Plug	6-12 buttons	1
17	<u>VT0002468</u>	Pendant 2HS+2CT+2LT+ON+ES	8 buttons	1
17	<u>VT0002469</u>	Pendant 2HS+2CT+2LT+SELECTOR+ON+ES	12 buttons	1
17	<u>VT0007059</u>	Pendant 2HS+2TS+ES		1
17	<u>VT0005057</u>	Pendant 2HS+2TS+ES+KLAX.	Replace VT0001057	1

4 to 12 buttons

Item	Reference	Description	Observation	Quantity
17	<u>VT0002467</u>	Pendant 2HS+2CT+ON+ES	6 buttons	1
17	<u>VT0001057</u>	Pendant 2HS+2CT+ON+ES	Not anymore distributed. Replaced by VT0005057	1
17	<u>VT0001055</u>	Pendant 2HS+2CT+2LT+ON+ES	Not anymore distributed	1
17	<u>VT0001056</u>	Pendant 2HS+2CT+2LT+ON+ES		1
19	<u>VT0001059</u>	Selector 3 positions 1/1+2/2	12 buttons	1
22	<u>VT0003812</u>	ON button set	Switch	1
23	<u>VT0003813</u>	Emergency button set	Contact + bouton	1
24	<u>VT0003814</u>	Push button	6 buttons	1
24	<u>VT0003815</u>	Push button	8 buttons	1
24	<u>VT0003816</u>	Push button	12 buttons	1
-	<u>VT0003570</u>	Stickers	ANSI - COMPASS - 6 buttons	1
-	<u>VT0003574</u>	Stickers	ANSI - COMPASS - 8 buttons	1
-	<u>VT0003578</u>	Stickers	ANSI - COMPASS - 12 buttons	1
-	<u>VT0003567</u>	Stickers	DIN - 6 buttons	1
-	<u>VT0003571</u>	Stickers	DIN - 8 buttons	1
-	<u>VT0003575</u>	Stickers	DIN - 12 buttons	1
-	<u>VT0003569</u>	Stickers	FIN - 6 buttons	1
-	<u>VT0003572</u>	Stickers	FIN - 8 buttons	1
-	<u>VT0003577</u>	Stickers	FIN - 12 buttons	1
-	<u>VT0003568</u>	Stickers	SEN - 6 buttons	1
-	<u>VT0003573</u>	Stickers	SEN - 8 buttons	1
-	<u>VT0003576</u>	Stickers	SEN - 12 buttons	1
-	<u>VT0003570</u>	Stickers	ANSI - COMPASS - 6 buttons	1
-	<u>VT0003574</u>	Stickers	ANSI - COMPASS - 8 buttons	1
-	<u>VT0003578</u>	Stickers	ANSI - COMPASS - 12 buttons	1
-	<u>VT0003567</u>	Stickers	DIN - 6 buttons	1
-	<u>VT0003571</u>	Stickers	DIN - 8 buttons	1
-	<u>VT0003575</u>	Stickers	DIN - 12 buttons	1

4 to 12 buttons

Item	Reference	Description	Observation	Quantity
-	<u>VT0003569</u>	Stickers	FIN - 6 buttons	1
-	<u>VT0003572</u>	Stickers	FIN - 8 buttons	1
-	<u>VT0003577</u>	Stickers	FIN - 12 buttons	1
-	<u>VT0003568</u>	Stickers	SEN - 6 buttons	1
-	<u>VT0003573</u>	Stickers	SEN - 8 buttons	1
-	<u>VT0003576</u>	Stickers	SEN - 12 buttons	1

1.3. Prewired pendants for VL hoist

TYPE DE BOITE	PENDANT TYPE	LONGUEUR LENGTH	CODE
2L+AU		2,2 9	1
2L+AU		2,7 9	2
2L+AU		3,2 9	3
2L+AU		3,7 9	4
2L+AU		4,2 9	5
2L+AU		4,7 9	6
2L+AU		5,2 9	7
2L+AU		5,7 9	8
2L+2VD+AU		2,2 9	9
2L+2VD+AU		2,7 9	10
2L+2VD+AU		3,2 9	11
2L+2VD+AU		3,7 9	12
2L+2VD+AU		4,2 9	13
2L+2VD+AU		4,7 9	14
2L+2VD+AU		5,2 9	15
2L+2VD+AU		5,7 9	16

NOUVELLES BAB SUR PALAN VL depuis la Commande #C60000
NEW PENDANT CODES FOR VL HOIST from Order nb #C60000

Item	Reference	Description	Observation	Quantity
1	52304280	Push button - 2HS+ES	2,2 m	1
2	52304281	Push button - 2HS+ES	2,7 m	1
3	52304282	Push button - 2HS+ES	3,2 m	1
4	52304283	Push button - 2HS+ES	3,7 m	1
5	52304284	Push button - 2HS+ES	4,2 m	1
6	52304285	Push button - 2HS+ES	4,7 m	1
7	52304286	Push button - 2HS+ES	5,2 m	1
8	52304287	Push button - 2HS+ES	5,7 m	1
9	52304289	Pendant controller - 2HS+2TS+ES	2,2 m	1
10	52304290	Pendant controller - 2HS+2TS+ES	2,7 m	1
11	52304291	Pendant controller - 2HS+2TS+ES	3,2 m	1
12	52304292	Pendant controller - 2HS+2TS+ES	3,7 m	1
13	52304293	Pendant controller - 2HS+2TS+ES	4,2 m	1
14	52304294	Pendant controller - 2HS+2TS+ES	4,7 m	1
15	52304295	Pendant controller - 2HS+2TS+ES	5,2 m	1
16	52304296	Pendant controller - 2HS+2TS+ES	5,7 m	1

1.4. Options



12

Item	Reference	Description	Observation	Quantity
1	<u>VT0001174</u>	Lamp holder		1
2	<u>55292992</u>	Plug male / female		1
3	<u>VT0001170</u>	ON/OFF selector		1
4	<u>VT0001173</u>	ON /OFF Selector with key		1
5	<u>VT0001175</u>	Red lamp holder		1
6	<u>VT0001176</u>	Yellow lamp holder		1
7	<u>VT0001177</u>	Green lamp holder		1
8	<u>VT0001734</u>	Female pin	For 4-6-8 buttons	10
9	<u>VT0001735</u>	Male pin	For 4-6-8 buttons	10
10	<u>VT0001736</u>	Cable pin removal tool		1
11	<u>VT0001737</u>	Crimping tool		1

1.5. Table for composition BAB

FONCTIONS FUNCTIONS	MOUVEMENTS MOVEMENTS	SYMBOLE : BAB PENDANT CODE	CABLE CONTROL CABLE	SYMBOLE CABLE CODE
2B (1 pour AU)	2VL+AU / 2HS+ES	1	5*1,5 (chain / chain hoist only)	6
4B (1 Pour AU)	2VL+2VD+AU / 2HS+2CT+ES	2	8*1,5 (chain / chain hoist only)	7
6B (2 pour le M/A)(2 for ON / OFF)	2VL+2VD+M+AU / 2HS+2CT+ON+ES	3	16*1,5	8
8B (2 pour le M/A)(2 for ON / OFF)	2VL+2VD+2VT+M+AU / 2HS+2CT+2LT+ON+ES	4	16*1,5	8
12B (2 pour le M/A)(2 for ON / OFF)	2VL+2VD+2VT+SJ+M+AU / 2HS+2CT+2LT+SELECTOR+ON+ES	5	16*1,5	8

Exemple : (boîte 2VL + AU + câble + prise) - votre remise)) + FORFCABL
 Example : (2VL +ES pendant +3,2m cable with plug) - your discount)) + FORFCABL

Item	Reference	Description	Observation	Quantity
1	<u>52301832</u>	Push button 2HS+ES		1
2	<u>52292956</u>	Push button 2HS+2TS+ES		1
3	<u>VT0005057</u>	Pendant 2HS+2TS+ES+KLAX.	Replace VT0001057	1
3	<u>VT0001057</u>	Pendant 2HS+2CT+ON+ES	Not anymore distributed. Replaced by VT0005057	1
4	<u>VT0001055</u>	Push button 2HS+2CT+2LT+ON+ES		1
5	<u>VT0001056</u>	Push button 2HS+2CT+2LT+ON+ES		1
6	<u>833275</u>	Push button with cable	5x1,5 mm ²	1
7	<u>833276</u>	Pendant cable	8x1,5mm ²	1
8	<u>VT0006747</u>	Cable	8x1,5mm ²	meter
-	<u>FORFCABL</u>	Wiring cost for pendant		1
-	<u>2249898</u>	Set of pendant plug + 5 meter of electric cable	Plug connected to the electric cable	1
-	<u>2249899</u>	Set of pendant plug + 10 meter of electric cable		1
-	<u>X32A2SOLO</u>	16 pin plug pendant - Male plug	VT hoist	1
-	<u>1113210</u>	Plug pendant - Crane kit - Male plug	16 pins	1
-	<u>7285035</u>	Disconnectable male plug pendant side only		1
-	<u>2249945</u>	Plastic push button plug set		1

2. XAC-A pendant - Low voltage - Before 2002



XAC-A – Pendant – Low voltage – Before 2002

Item	Reference	Description	Observation	Quantity
	<u>833275</u>	BBAP cable	5x1,5 mm ²	m
	<u>833276</u>	BBAP cable	8x1,5 mm ²	m
	<u>8812152B</u>	BBAP cable	16x1.5 mm ²	m
	<u>834476</u>	Push button - 1HS	5x1,5 mm ²	1
	<u>834479</u>	Push button - 1HS+ES	5x1,5 mm ²	1
	<u>834485</u>	Push button - 1HS+1CT	8x1,5 mm ²	1
	<u>7631418W</u>	Push button - 1HS+1CT+2LT+ON/ES	16x1.5 mm ² (cable)	1
	<u>834487</u>	Push button - 1HS+1CT+ES	8x1,5 mm ²	1
	<u>834494</u>	Push button - 1HS+2CT	8x1,5 mm ²	1
	<u>7631418X</u>	Push button - 1HS+2CT+2LT+ON/ES	16x1.5 mm ² (cable)	1
	<u>834495</u>	Push button - 1HS+2CT+ES	8x1,5 mm ²	1
	<u>834481</u>	Push button - 2HS	5x1,5 mm ²	1
	<u>834489</u>	Push button - 2HS	8x1,5 mm ²	1
	<u>834483</u>	Push button - 2HS+ES	5x1,5 mm ²	1
	<u>834491</u>	Push button - 2HS+1CT	8x1,5 mm ²	1
	<u>834492</u>	Push button - 2HS+1CT+ES	8x1,5 mm ²	1
	<u>834490</u>	Push button - 2HS+2TS+ES	8x1,5 mm ²	1
	<u>7631416T</u>	Push button - 2HS+2CT+ON+ES	16x1.5 mm ²	1
	<u>7631418Y</u>	Push button - 2HS+1CT+1LT+ON/ES	16x1.5 mm ² (cable)	1
	<u>7631418Z</u>	Push button - 2HS+2CT+2LT+ON/ES	16x1.5 mm ² (cable)	1
	<u>VT0006548</u>	Mushroom button		1
	<u>52316007</u>	Cover – Protective guard - Short	For standard ES	1
	<u>52317442</u>	Cover – Protective guard - Long	For Es key	1
	<u>VT0005063</u>	Push button - Black		1
	<u>52347116</u>	Push button - Blue		1
	<u>52425089</u>	Push button - Brown		1
	<u>VT0005065</u>	Push button - Green		1
	<u>VT0009208</u>	Push button - White		1
	<u>52340949</u>	Push button - Yellow		1

2.1. Prewired pendants for VL hoist

	TYPE DE BOITE PENDANT TYPE	LONGUEUR LENGTH	CODE
ANCIENNES BOITES A BOITONS OLD TYPE PENDANTS	1L+AU	2,2 5	1
	1L+AU	2,7 5	2
	1L+AU	3,2 5	3
	1L+AU	3,7 5	4
	1L+AU	4,2 5	5
	1L+AU	4,7 5	6
	1L+AU	5,2 5	7
	1L+AU	5,7 5	8
	2L+AU	2,2 9	9
	2L+AU	2,7 9	10
	2L+AU	3,2 9	11
	2L+AU	3,7 9	12
	2L+AU	4,2 9	13
	2L+AU	4,7 9	14
	2L+AU	5,2 9	15
	2L+AU	5,7 9	16
	2L+2VD+AU	2,2 9	17
	2L+2VD+AU	2,7 9	18
	2L+2VD+AU	3,2 9	19
	2L+2VD+AU	3,7 9	20
	2L+2VD+AU	4,2 9	21
	2L+2VD+AU	4,7 9	22
	2L+2VD+AU	5,2 9	23
	2L+2VD+AU	5,7 9	24

Prewired pendants for VL hoist

Item	Reference	Description	Observation	Quantity
1	<u>2213060A</u>	Old Push button - 1HS+ES	2,2 m	1
2	<u>2213060B</u>	Old Push button - 1HS+ES	2,7 m	1
3	<u>2213060C</u>	Old Push button - 1HS+ES	3,2 m	1
4	<u>2213060D</u>	Old Push button - 1HS+ES	3,7 m	1
5	<u>2213060E</u>	Old Push button - 1HS+ES	4,2 m	1
6	<u>2213060F</u>	Old Push button - 1HS+ES	4,7 m	1
7	<u>2213060G</u>	Old Push button - 1HS+ES	5,2 m	1
8	<u>2213060H</u>	Old Push button - 1HS+ES	5,7m	1
9	<u>2213061A</u>	Old Push button - 2HS+ES	2,2 m	1
10	<u>2213061B</u>	Old Push button - 2HS+ES	2,7 m	1
11	<u>2213061C</u>	Old Push button - 2HS+ES	3,2 m	1
12	<u>2213061D</u>	Old Push button - 2HS+ES	3,7 m	1
13	<u>2213061E</u>	Old Push button - 2HS+ES	4,2 m	1
14	<u>2213061F</u>	Old Push button - 2HS+ES	4,7m	1
15	<u>2213061G</u>	Old Push button - 2HS+ES	5,2 m	1
16	<u>2213061H</u>	Old Push button - 2HS+ES	5,7 m	1
17	<u>2213063A</u>	Old Push button - 2HS+2TS+ES	2,2 m	1
18	<u>2213063B</u>	Old Push button - 2HS+2TS+ES	2,7 m	1
19	<u>2213063C</u>	Old Push button - 2HS+2TS+ES	3,2 m	1
20	<u>2213063D</u>	Old Push button - 2HS+2TS+ES	3,7 m	1
21	<u>2213063E</u>	Old Push button - 2HS+2TS+ES	4,2 m	1
22	<u>2213063F</u>	Old Push button - 2HS+2TS+ES	4,7 m	1
23	<u>2213063G</u>	Old Push button - 2HS+2TS+ES	5,2 m	1
24	<u>2213063H</u>	Old Push button - 2HS+2TS+ES	5,7 m	1

2.2. XAC-A pendant - To be assembled

Type BAB Type BAB	Fonctions Functions	Mouvements Movements	Code BAB Pendant code	Câble Cable	Code câble Cable code
VV2	2B	1VL	1	5*1.5	18
VV5	3B (1 Pour AU)	1VL+AU	2	5*1.5	18
VV7	2B	2VL	3	5*1.5	18
VV9	3B (1 pour AU)	2VL+AU	4	5*1.5	18
VV11	4B	1VL+1VD	5	8*1.5	19
VV13	5B (1 pour AU)	1VL+1VD+AU	6	8*1.5	19
VV15	4B	2VL+2VD	7	8*1.5	19
VV16	5B (1 Pour AU)	2VL+2VD+AU	8	8*1.5	19
VV18	4B	2VL+1VD	9	8*1.5	19
VV19	5B (1 Pour AU)	2VL+1VD+AU	10	8*1.5	19
VV21	4B	1VL+2VD	11	8*1.5	19
VV22	5B (1 Pour AU)	1VL+2VD+AU	12	8*1.5	19
	6B (2 pour le M/A)	2VL+2VD+M+AU	13	16*1.5	20
VV75	8B (2 pour le M/A)	1VL+1VD+1VT+M/A	14	16*1.5 (cable)	20
VV76	8B (2 pour le M/A)	1VL+1VD+2VT+M/A	14	16*1.5 (cable)	20
VV77	8B (2 pour le M/A)	1VL+2VD+1VT+M/A	15	16*1.5 (cable)	20
VV78	8B (2 pour le M/A)	1VL+2VD+2VT+M/A	15	16*1.5 (cable)	20
VV79	8B (2 pour le M/A)	2VL+1VD+1VT+M/A	16	16*1.5 (cable)	20
VV80	8B (2 pour le M/A)	2VL+1VD+2VT+M/A	16	16*1.5 (cable)	20
VV82	8B (2 pour le M/A)	2VL+2VD+2VT+M/A	17	16*1.5 (cable)	20

XAC-A pendant - To be assembled

Item	Reference	Description	Observation	Quantity
1	<u>834476</u>	Push button - 1HS	5x1,5 mm ²	1
2	<u>834479</u>	Push button - 1HS+ES	5x1,5 mm ²	1
3	<u>834481</u>	Push button - 2HS	5x1,5 mm ²	1
4	<u>834483</u>	Push button - 2HS+ES	5x1,5 mm ²	1
5	<u>834485</u>	Push button - 1HS+1CT	8x1,5 mm ²	1
6	<u>834487</u>	Push button - 1HS+1CT+ES	8x1,5 mm ²	1
7	<u>834489</u>	Push button - 2HS	8x1,5 mm ²	1
8	<u>834490</u>	Push button - 2HS+2TS+ES	8x1,5 mm ²	1
9	<u>834491</u>	Push button - 2HS+1CT	8x1,5 mm ²	1
10	<u>834492</u>	Push button - 2HS+1CT+ES	8x1,5 mm ²	1
11	<u>834494</u>	Push button - 1HS+2CT	8x1,5 mm ²	1
12	<u>834495</u>	Push button - 1HS+2CT+ES	8x1,5 mm ²	1
13	<u>7631416T</u>	Push button - 2HS+2CT+ON+ES	16x1.5 mm ²	1
14	<u>7631418W</u>	Push button - 1HS+1CT+2LT+ON/ES	16x1.5 mm ² (cable)	1
15	<u>7631418X</u>	Push button - 1HS+2CT+2LT+ON/ES	16x1.5 mm ² (cable)	1
16	<u>7631418Y</u>	Push button - 2HS+1CT+1LT+ON/ES	16x1.5 mm ² (cable)	1
17	<u>7631418Z</u>	Push button - 2HS+2CT+2LT+ON/ES	16x1.5 mm ² (cable)	1
18	<u>833275</u>	Push button with cable	5x1,5 mm ²	1
19	<u>833276</u>	Pendant cable	8x1,5mm ²	1
20	<u>8812152B</u>	Cable	16x1.5 mm ²	meter
	<u>VT0006548</u>	Mushroom button		1
	<u>VT0005063</u>	Push button - Black		1
	<u>52347116</u>	Push button - Blue		1
	<u>52425089</u>	Push button - Brown		1
	<u>VT0005065</u>	Push button - Green		1
	<u>VT0009208</u>	Push button - White		1
	<u>52340949</u>	Push button - Yellow		1

3. XAC-B pendants - Direct voltage



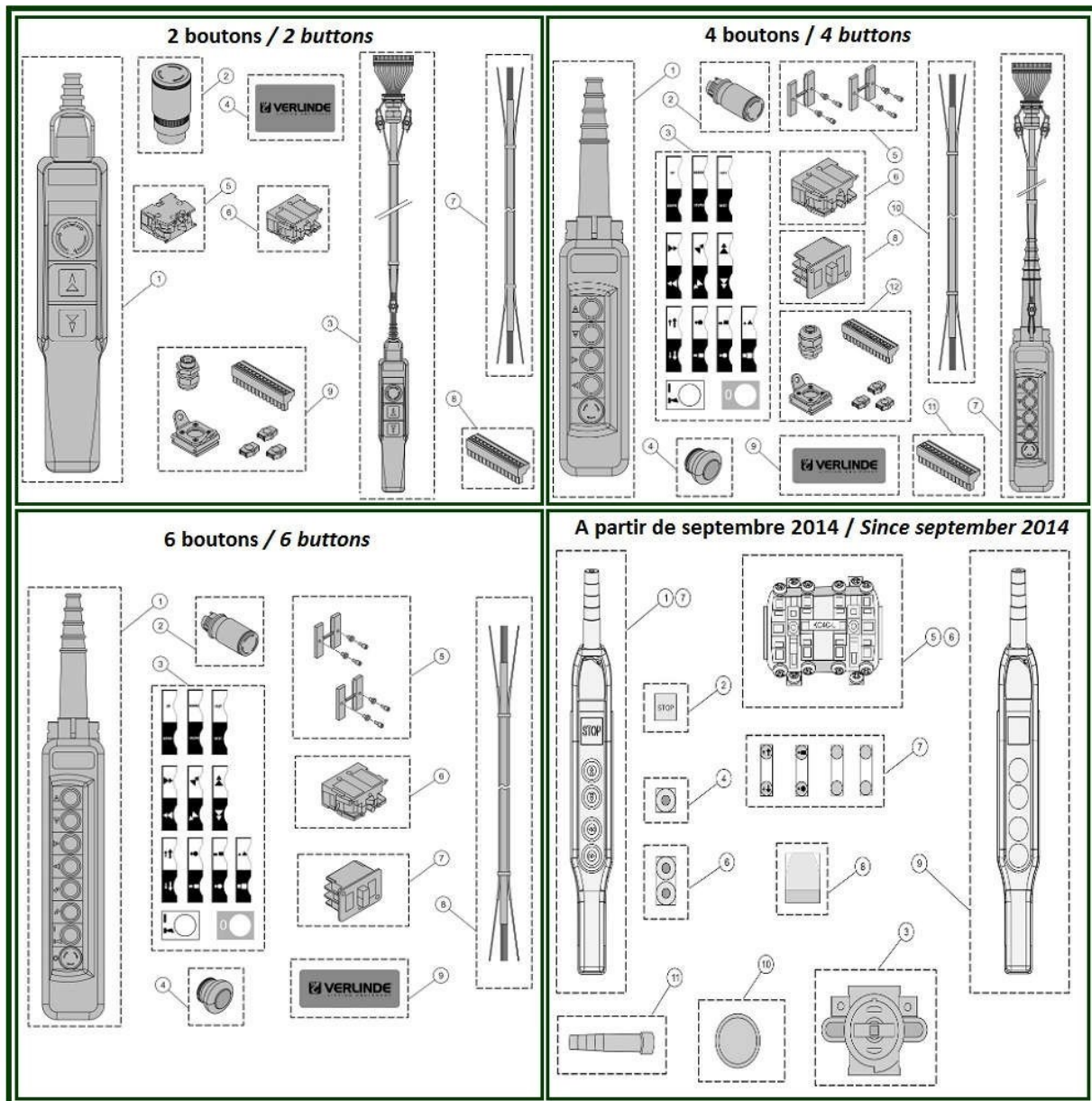
3.1. Pendants to be assembled

No plug supplied for direct control - Always indicate the hoist type

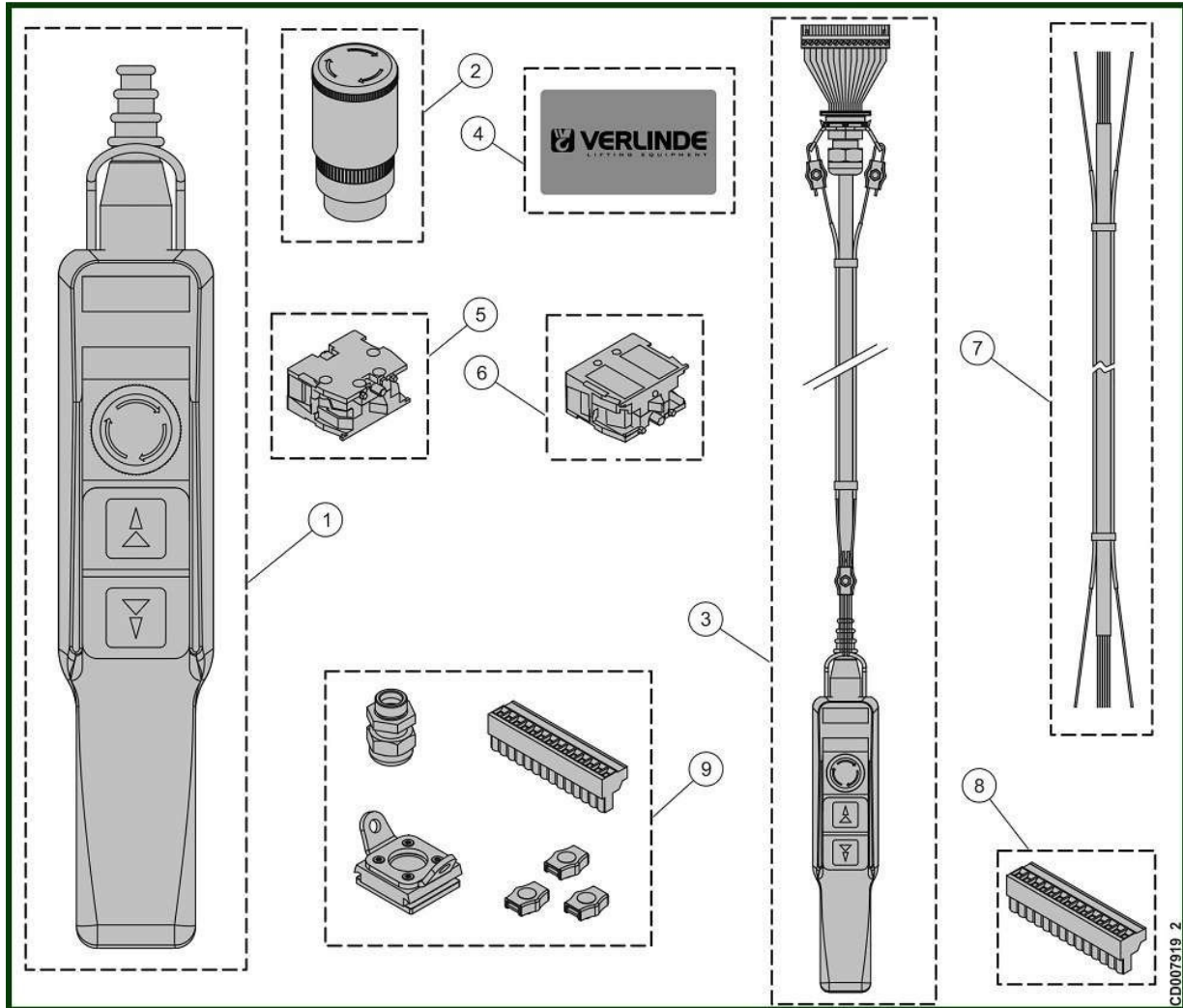
Type BAB BAB Type	Fonctions Functions	Mouvements Movements	Code BAB Pendant code	Câble Cable	Code BAB Pendant code
VV4T	3B (1Pour AU)	1VL+AU	1	8*1.5	14
VV6	3B (1Pour AU)	2VL+AU	2	12*1.5	15
VV10T	4B	1VL+1VD	3	8*1.5	14
VV20b	4B	1VL+2VD	4	12*1.5	15
VV12T	5B (1 pour AU)	1VL+1VD+AU	5	12*1.5	15
VV14	5B (1 pour AU)	2VL+2VD+AU	6	16*1.5	16
VV17	5B (1 pour AU)	2VL+1VD+AU	7	12*1.5	15
VV20T	5B (1 pour AU)	1VL+2VD+AU	8	12*1.5	15
VV40	2B	2VL	9	8*1.5	14
VV42	4B	2VL+1VD	10	12*1.5	15
VV44	4B	2VL+2VD	11	12*1.5	15
VV3	2B	1VL mono	12	8*1.5	14
VV8	3B (1Pour AU)	1VL+AU mono	13	12*1.5	15

Item	Reference	Description	Observation	Quantity
1	834508	Push button	1HS+ES	1
2	834480	Push button	2HS+ES	1
3	834509	Push button	1HS+1CT	1
4	833511	Push button	1HS+2CT	1
5	834510	Push button	1HS+1CT+ES	1
6	834488	Push button	2HS+2TS+ES	1
7	834496	Push button	2HS+1CT+ES	1
8	834512	Push button	1HS+2CT+ES	1
9	834477	Push button	2HS	1
10	834482	Push button	2HS+1CT	1
11	834519	Push button	2HS+2VD	1
12	833473	Push button	1HS mono	1
13	833474	Push button	1HS+ES mono	1
14	833276	Pendant cable	8x1,5mm ²	1
15	833277	Pendant cable	12x1,5 mm ²	1
-	834507	Push button	1VL	1
-	8812152B	Cable	16x1.5 mm2 -	meter
-	FORFCABL	Wiring cost for pendant		1

4. PENDANTS - Hoist VR



4.1. 2 buttons PBX

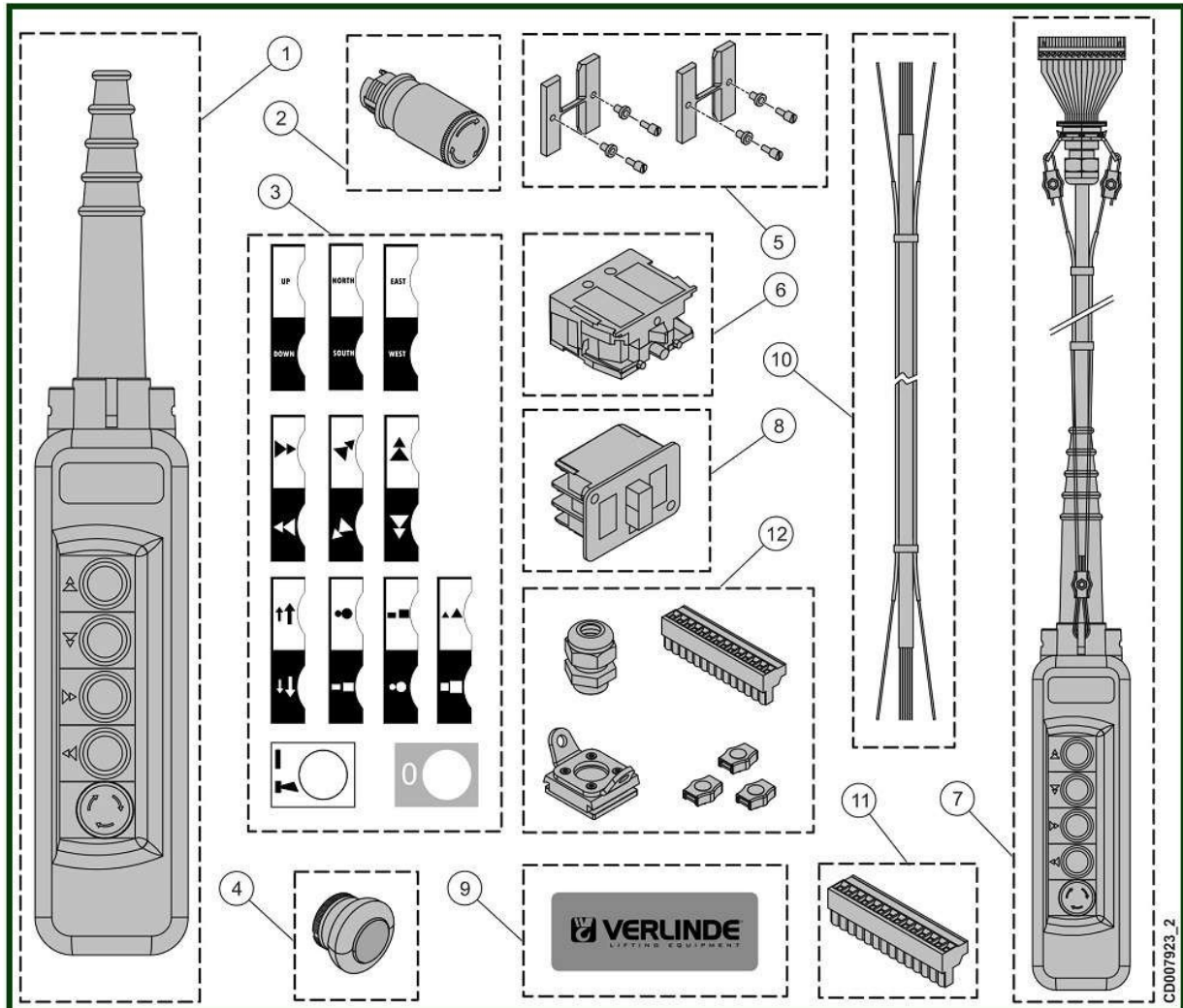


CD007919_2

2 buttons PBX

Item	Reference	Description	Observation	Quantity
1	<u>VT0005061</u>	Push button - 2HS+ES	Yellow	1
2	<u>VT0006547</u>	Emergency button		1
3	<u>VT0005612</u>	Pendant with cable - 2HS+ES	2,2 m - Yellow- CE	1
3	<u>VT0005613</u>	Pendant with cable - 2HS+ES	2,7 m - Yellow- CE	1
3	<u>VT0005614</u>	Pendant with cable - 2HS+ES	3,2 m - Yellow- CE	1
3	<u>VT0005615</u>	Pendant with cable - 2HS+ES	3,7 m - Yellow- CE	1
3	<u>VT0005616</u>	Pendant with cable - 2HS+ES	4,2 m - Yellow- CE	1
3	<u>VT0005617</u>	Pendant with cable - 2HS+ES	4,7 m - Yellow- CE	1
3	<u>VT0005618</u>	Pendant with cable - 2HS+ES	5,2 m - Yellow- CE	1
3	<u>VT0005619</u>	Pendant with cable - 2HS+ES	5,7 m - Yellow- CE	1
4	<u>VT0007837</u>	Sticker of brand	VERLINDE	1
5	<u>VT0005064</u>	Block contact	ZB2-BE101	1
6	<u>VT0005066</u>	Block contact	ZB2-BE 102	1
6	<u>VT0015041</u>	Block contact	ZB2-BE 201 "F" décalé	1
7	<u>VT0006746</u>	Cable	5x1,5 mm ² - CE	1
8	<u>VT0005108</u>	Connector	14P	1
9	<u>VT0007583</u>	Pendant plug set		1

4.2. 4 buttons PBX

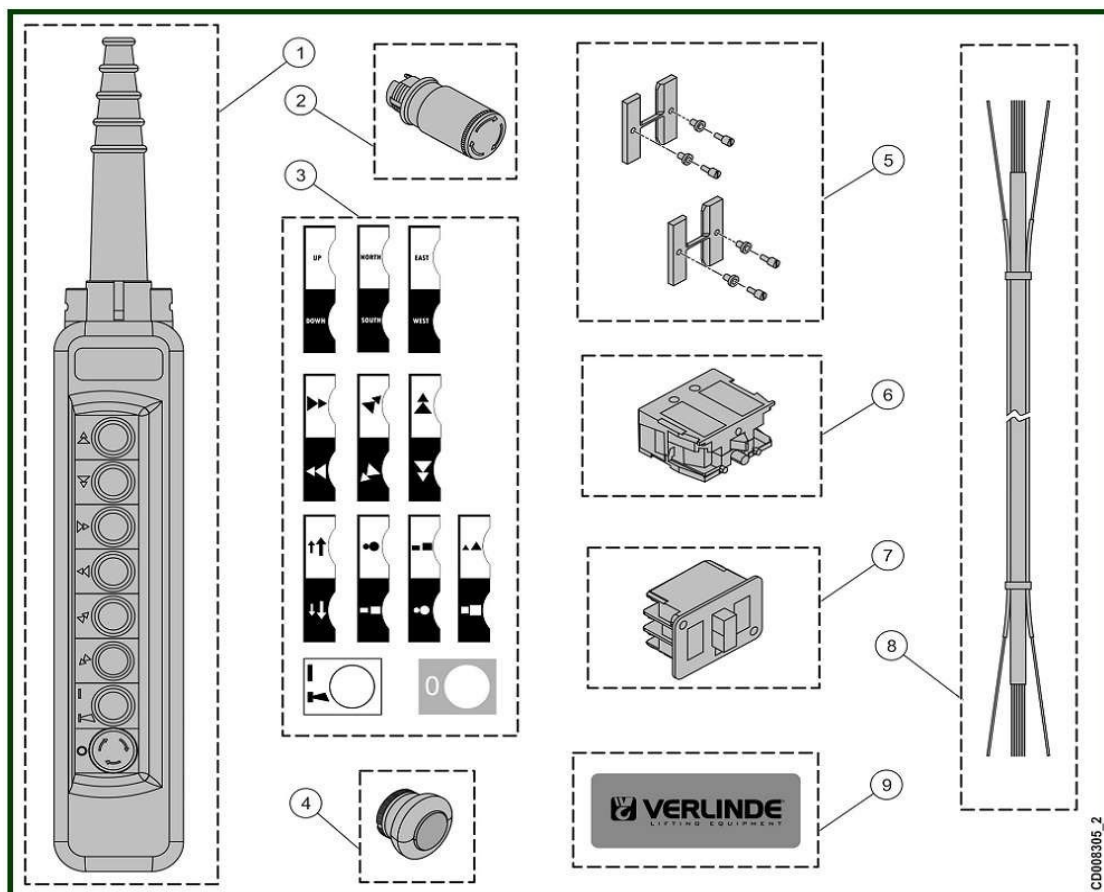


CD007923_2

4 buttons PBX

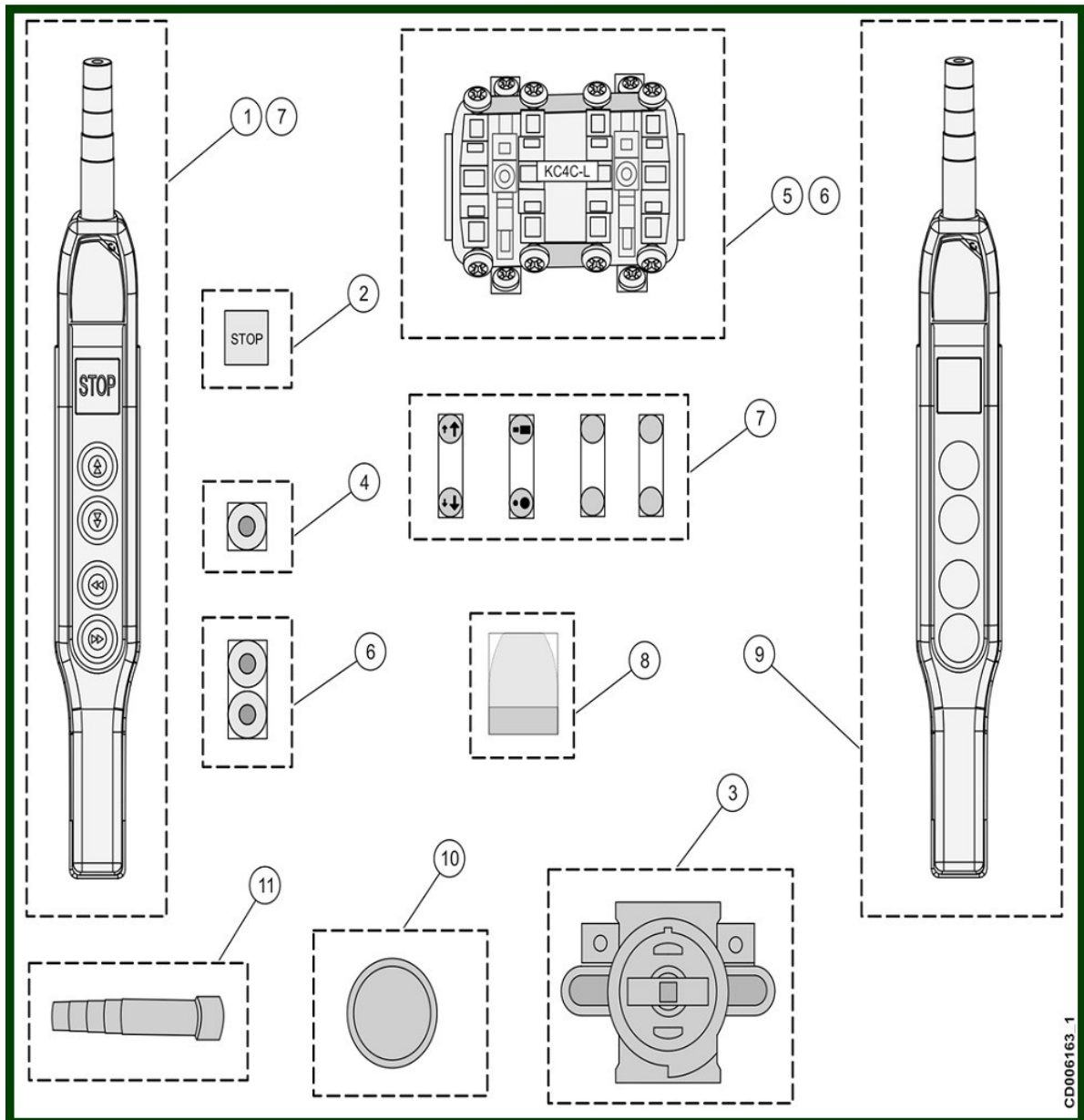
Item	Reference	Description	Observation	Quantity
1	<u>VT0005055</u>	Pendant controller 2HS+2TS+ES	Yellow	1
2	<u>VT0006548</u>	Emergency button	ZA2BS834	1
3	<u>VT0007882</u>	Set of direction symbols		1
4	<u>VT0005063</u>	Push button		1
5	<u>VT0005072</u>	Mechanical interlock		2
6	<u>VT0005066</u>	Block contact	ZB2-BE 102	1
7	<u>VT0006056</u>	Pendant with cable 2HS+2TS+ES	2,7 m - Yellow	1
7	<u>VT0006058</u>	Pendant with cable 2HS+2TS+ES	3,7 m - Yellow	1
7	<u>VT0006057</u>	Pendant with cable 2HS+2TS+ES	3,2 m - Yellow	1
7	<u>VT0006059</u>	Pendant with cable 2HS+2TS+ES	4,2 m - Yellow	1
7	<u>VT0006060</u>	Pendant with cable 2HS+2TS+ES	4,7 m - Yellow	1
7	<u>VT0006061</u>	Pendant with cable 2HS+2TS+ES	5,2 m - Yellow	1
7	<u>VT0006062</u>	Pendant with cable 2HS+2TS+ES	5,7 m - Yellow	1
7	<u>VT0006055</u>	Pendant with cable 2HS+2TS+ES	2,2 m - Yellow	1
8	<u>VT0007879</u>	Contact block	XENG1191	1
9	<u>VT0007880</u>	Sticker of brand	VERLINDE	1
10	<u>VT0006747</u>	Cable	8x1,5mm ²	meter
11	<u>VT0005108</u>	Connector	14P	1
12	<u>VT0007583</u>	Pendant plug set		1

4.3. 6 buttons PBX



Item	Reference	Description	Observation	Quantity
1	VT0005058	Push button - 2HS+2TS+2LS+ON-OFF	Yellow	1
2	VT0006548	Emergency button	ZA2BS834	1
3	VT0007882	Set of direction symbols		1
4	VT0005063	Push button		1
4	VT0005065	Green push button		1
5	VT0005072	Mechanical interlock		2
6	VT0005066	Contact block for emergency stop	ZB2BE102	1
6	VT0005064	Contact block for on/off button	ZB2BE101	2
7	VT0007879	Contact block	XENG1191	1
8	VT0008073	Pendant electric cable	16x1.52mm ²	meter
8	VT0008074	Pendant electric cable	20x1.5mm ²	meter
9	VT0007880	Sticker of brand	VERLINDE	1
-	VT0005108	Connector	14P	1

4.4. 2 and 4 buttons ERGOMOVE - Since September 2014



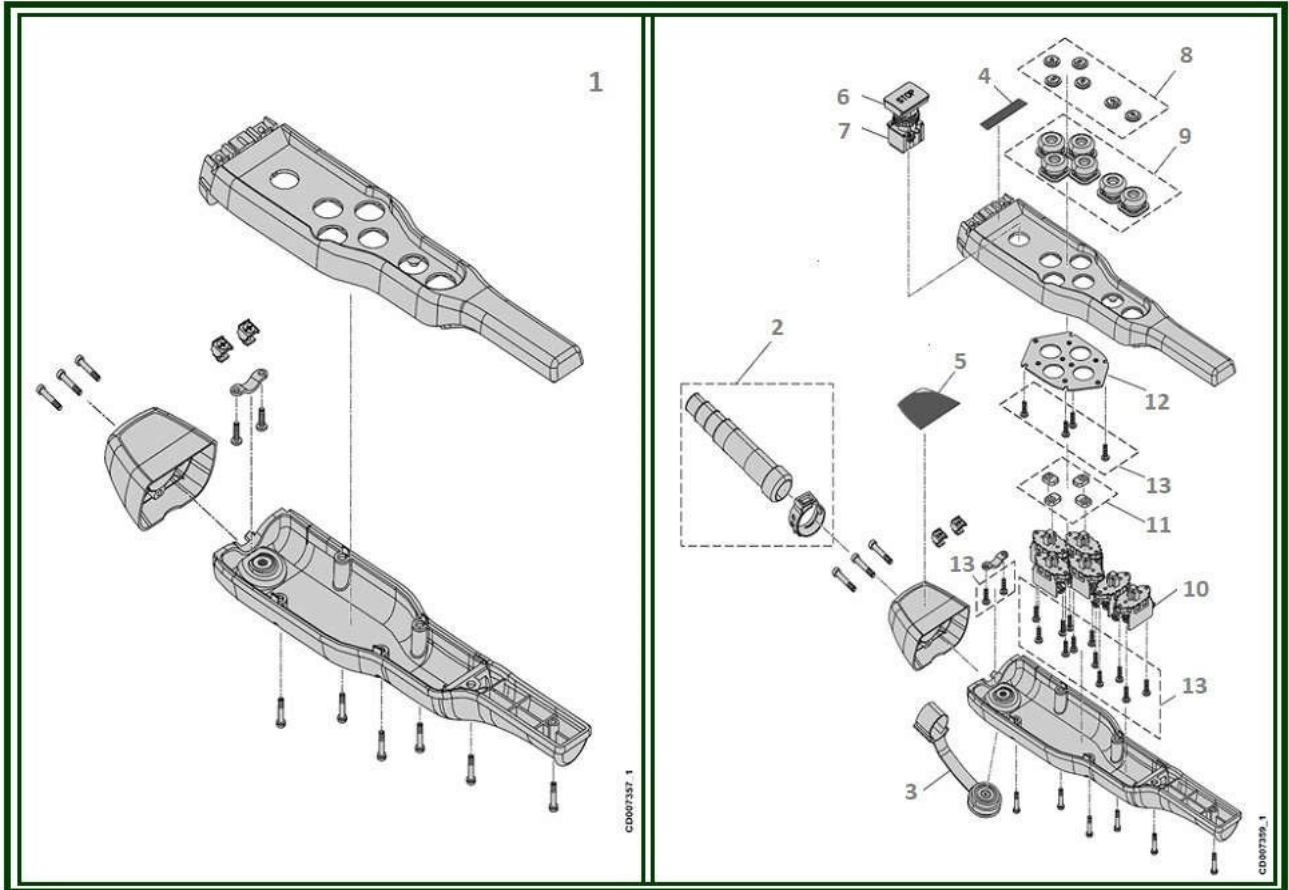
2 and 4 buttons ERGOMOVE - Since September 2014

Item	Reference	Description	Observation	Quantity
1	VT0006495	Push buttons box - 2HS2TS+ES	Yellow- 4 buttons	1
1	VT0006493	Push buttons box - 2HSES	Yellow- 2 buttons	1
2	VT0006509	Emergency push button		1
3	VT0006510	Emergency stop contact block		1
4	VT0006511	Rubber push button		1
5	VT0006512	Contact block	1 step	1
5	VT0006513	Contact block	2 steps	1
6	VT0006514	Set of 2 push buttons + contact block		1
7	VT0006754	Stickers - Direction symbols	ANSI	1
7	VT0006752	Stickers - Direction symbols	DIN	1
7	VT0006753	Stickers - Direction symbols	FIN-SEN	1
8	VT0006496	Sticker of brand	VERLINDE	1
9	VT0006515	Push button	Yellow- 2 buttons	1
9	VT0006518	Push button	Yellow- 4 buttons	1
10	VT0006517	Magnet set		1
10	VT0006516	Protective rubber sleeve		1
11	VT0014221	Cable bushing		1
	VT0006959	Push buttons box + cable + plug 2HS+2TS+ES	2,20 m - Yellow- DIN	1
	VT0006966	Push buttons box + cable + plug 2HS+2TS+ES	2,70 m - Yellow- DIN	1
	VT0006960	Push buttons box + cable + plug 2HS+2TS+ES	3,20 m - Yellow- DIN	1
	VT0006961	Push buttons box + cable + plug 2HS+2TS+ES	3,70 m - Yellow- DIN	1
	VT0006962	Push buttons box + cable + plug 2HS+2TS+ES	4,20 m - Yellow- DIN	1
	VT0006963	Push buttons box + cable + plug 2HS+2TS+ES	4,70 m - Yellow- DIN	1
	VT0006964	Push buttons box + cable + plug 2HS+2TS+ES	5,20 m - Yellow- DIN	1
	VT0006965	Push buttons box + cable + plug 2HS+2TS+ES	5,70 m - Yellow- DIN	1

2 and 4 buttons ERGOMOVE - Since September 2014

Item	Reference	Description	Observation	Quantity
	<u>VT0006958</u>	Push buttons box + cable + plug 2HS + ES	2,20 m - Yellow- DIN	1
	<u>VT0006951</u>	Push buttons box + cable + plug 2HS + ES	2,70 m - Yellow- DIN	1
	<u>VT0006952</u>	Push buttons box + cable + plug 2HS + ES	3,20 m - Yellow- DIN	1
	<u>VT0006953</u>	Push buttons box + cable + plug 2HS + ES	3,70 m - Yellow- DIN	1
	<u>VT0006954</u>	Push buttons box + cable + plug 2HS + ES	4,20 m - Yellow- DIN	1
	<u>VT0006955</u>	Push buttons box + cable + plug 2HS + ES	4,70 m - Yellow- DIN	1
	<u>VT0006956</u>	Push buttons box + cable + plug 2HS + ES	5,20 m - Yellow- DIN	1
	<u>VT0006957</u>	Push buttons box + cable + plug 2HS + ES	5,70 m - Yellow- DIN	1

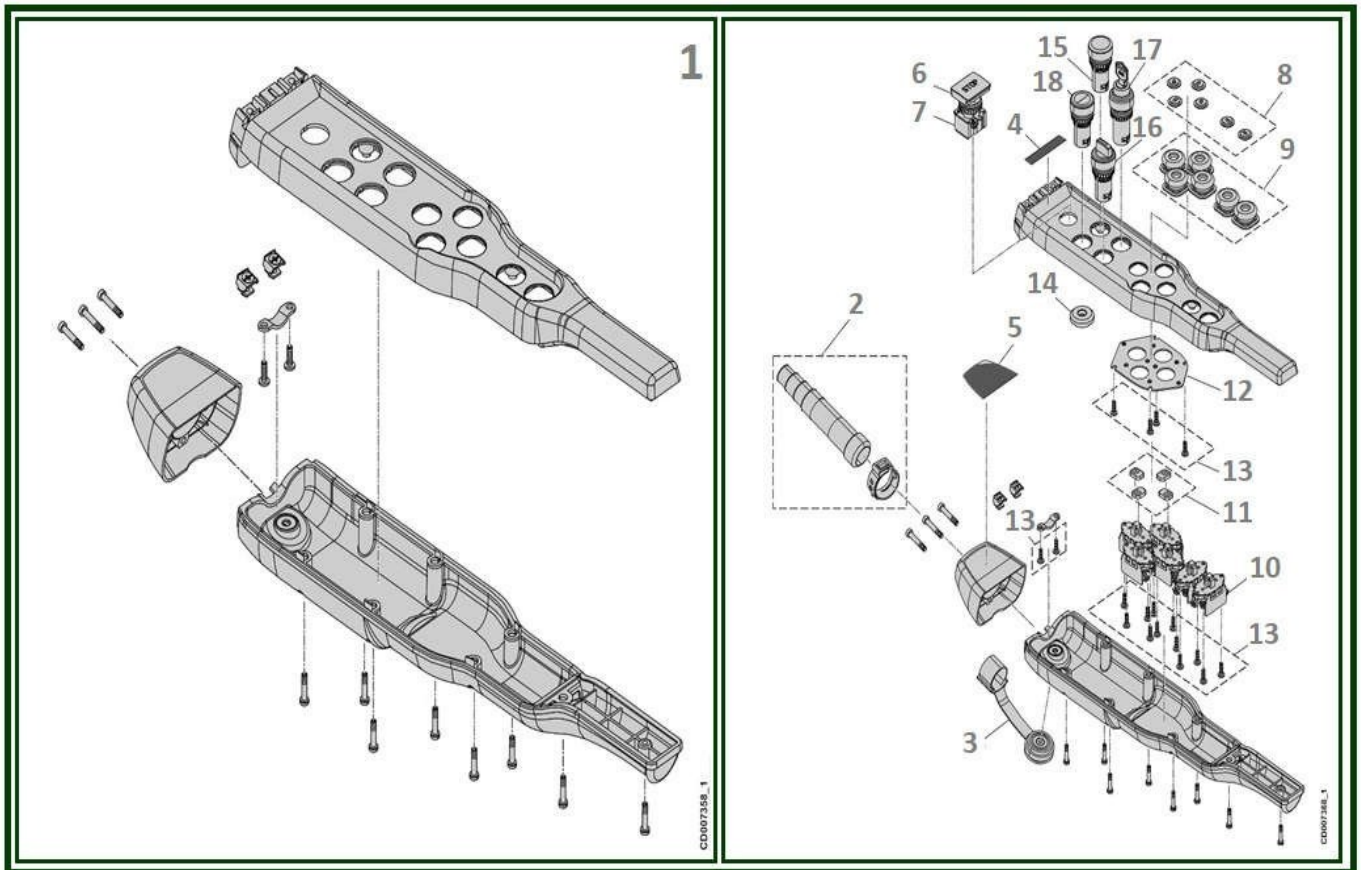
4.5. 6 buttons ERGOMOVE - Since September 2014



6 buttons ERGOMOVE – Since September 2014

Item	Reference	Description	Observation	Quantity
1	VT0007106	Pendant controller body	Yellow	1
1	VT0013522	Complete pendant controller	Yellow	1
2	VT0007149	Cable bushing		1
3	VT0010787	Magnet		1
5	VT0007148	Sticker	Logo	1
6	VT0010757	Emergency stop button		1
7	VT0010788	Contact block		1
8	VT0007147	Stickers - Direction symbols	ANSI	1
8	VT0007145	Stickers - Direction symbols	DIN	1
8	VT0007146	Stickers - Direction symbols	FIN	1
9	VT0007102	Push button		1
10	VT0013419	Contact block	Crane and trolley control (Foward/Backward and Right/Left) 2-steps	4
10	VT0007100	Contact block	Hoisting control (Up and Down) 2-steps	2
11	VT0007101	Push button		1
12	VT0007103	Shape plate		1
13	VT0007150	Screws set		1

4.6. 10 buttons ERGOMOVE - Since September 2014



10 buttons ERGOMOVE - Since September 2014

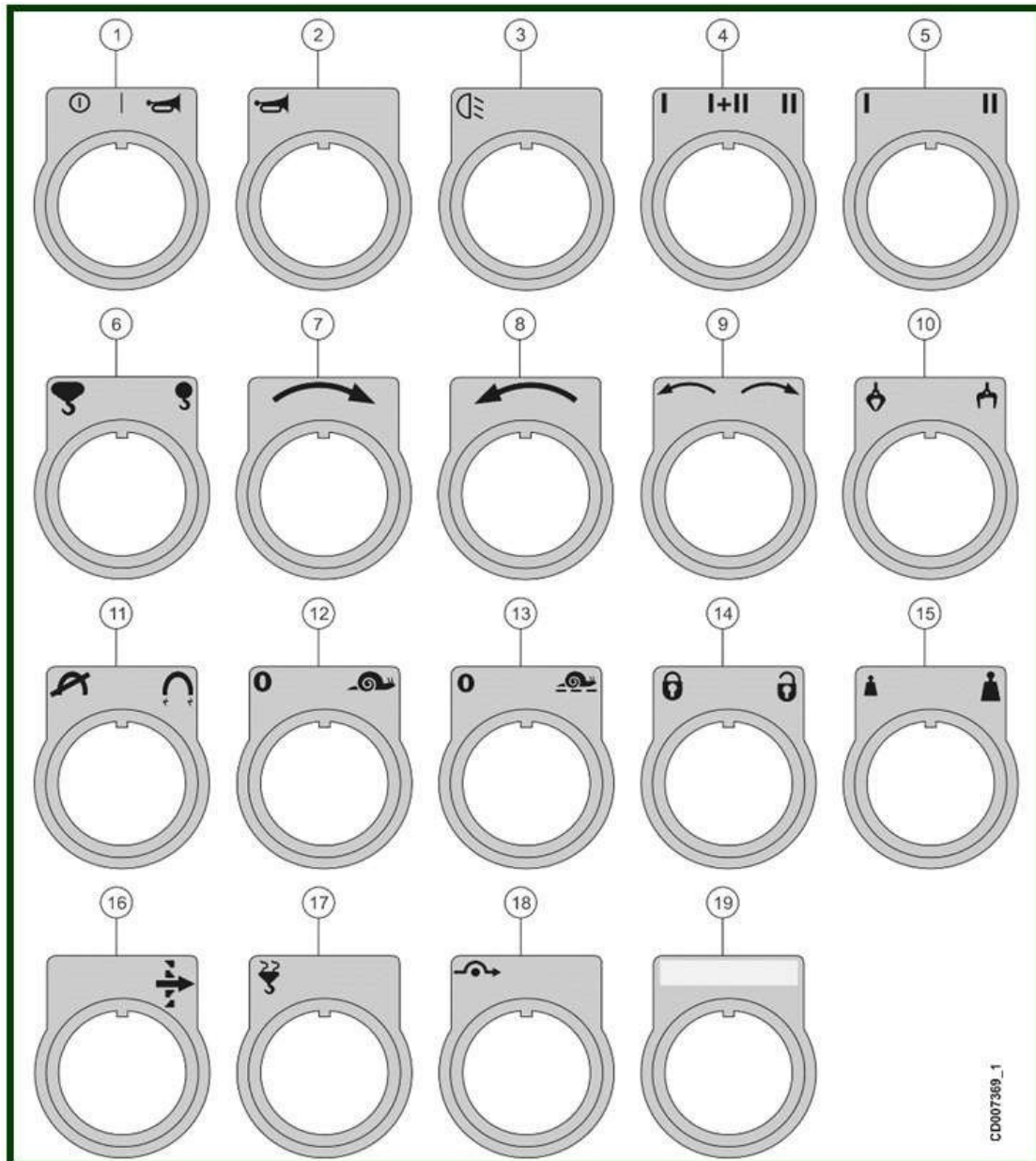
Item	Reference	Description	Observation	Quantity
1	VT0007107	Pendant controller body	Yellow	1
1	VT0013416	Complete pendant controller	Yellow	1
2	VT0007149	Cable bushing		1
3	VT0010787	Magnet		1
5	VT0007148	Sticker	Logo	1
6	VT0010757	Emergency button		1
7	VT0010788	Contact block		1
8	VT0007147	Stickers - Direction symbols	ANSI	1
8	VT0007145	Stickers - Direction symbols	DIN	1
8	VT0007146	Stickers - Direction symbols	FIN	1
9	VT0007102	Push button		1
10	VT0013419	Contact block	Crane and trolley control (Foward/Backward and Right/Left) 2-steps	4
10	VT0007100	Contact block	Hoisting control (Up and Down) 2-steps	2
11	VT0007101	Push button		1
12	VT0007103	Plaque		1
13	VT0007150	Screws set		1
14	VT0007109	Blanking plug		1
15	VT0007110	Push button with 1 NO contact		1
15	VT0010799	Push button with 2 NO contacts		
16	VT0010797	Selector switch	Switch 0-1	1
16	VT0007113	Selector switch	Switch 1-1+2-2	1
16	VT0007114	Selector switch	Switch 1-2	1
16	VT0010796	Selector switch with spring return to center	Switch 1-0-2	1
16	VT0010760	Selector switch without spring return to center	Switch 1-0-2	1
17	VT0010798	Position Key Selector	Switch 0-1	1

10 buttons ERGOMOVE - Since September 2014

Item	Reference	Description	Observation	Quantity
18	<u>VT0010790</u>	Pilot lamp - 48V - Yellow		1
18	<u>VT0010758</u>	Pilot lamp - 48V - Red		1
18	<u>VT0010789</u>	Pilot lamp - 48V - Green		1
18	<u>VT0010793</u>	Pilot lamp - 115V - Yellow		1
18	<u>VT0010792</u>	Pilot lamp - 115V - Red		1
18	<u>VT0010791</u>	Pilot lamp - 115V - Green		1
18	<u>VT0010795</u>	Pilot lamp - 230V - Yellow		1
18	<u>VT0010759</u>	Pilot lamp - 230V - Red		1
18	<u>VT0010794</u>	Pilot lamp - 230V - Green		1

4.7. 10 buttons ERGOMOVE - Option pendant label

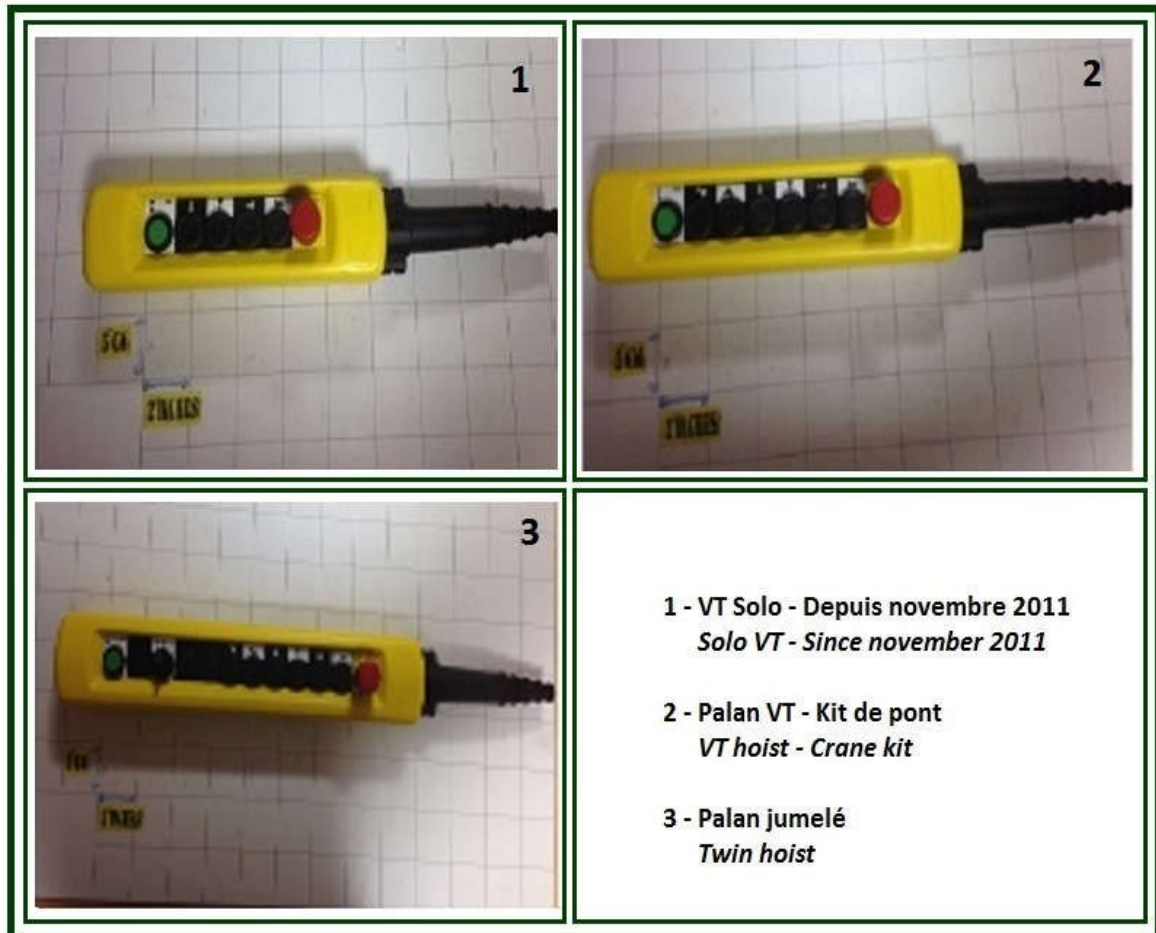
Since September 2014



10 buttons ERGOMOVE – Option pendant label

Item	Reference	Description	Observation	Quantity
1	<u>VT0007126</u>	Pendant label - Start + Horn		1
2	<u>VT0007127</u>	Pendant label - Horn		1
3	<u>VT0007128</u>	Pendant label - Light		1
4	<u>VT0007129</u>	Pendant label - Hoist selector I,I+II, II		1
5	<u>VT0007130</u>	Pendant label - Hoist selector I, II		1
6	<u>VT0007131</u>	Pendant label - Hook selection		1
7	<u>VT0007132</u>	Pendant label - Rotate right		1
8	<u>VT0007133</u>	Pendant label - Rotate left		1
9	<u>VT0007134</u>	Pendant label - Rotate left / light		1
10	<u>VT0007135</u>	Pendant label - Close and open		1
11	<u>VT0007136</u>	Pendant label - Magnet Off / On		1
12	<u>VT0007137</u>	Pendant label - Microspeed		1
13	<u>VT0007138</u>	Pendant label - Microspeed		1
14	<u>VT0007139</u>	Pendant label - Lock / unlock		1
15	<u>VT0007140</u>	Pendant label - Load limiter		1
16	<u>VT0007141</u>	Pendant label - Restricted area		1
17	<u>VT0007142</u>	Pendant label - Slack rope		1
18	<u>VT0007143</u>	Pendant label - Bypass		1
19	<u>VT0007144</u>	Blank pendant label		1

5. PENDANTS - VT hoist



5.1. PBX - Solo VT - Since November 2011



Item	Reference	Description	Observation	Quantity
1	<u>52569149</u>	Pendant controller 2HS+2CT+ES+ON/KLAXON	Yellow- 6 buttons	1

5.2. PBX - VT hoist – Crane kit



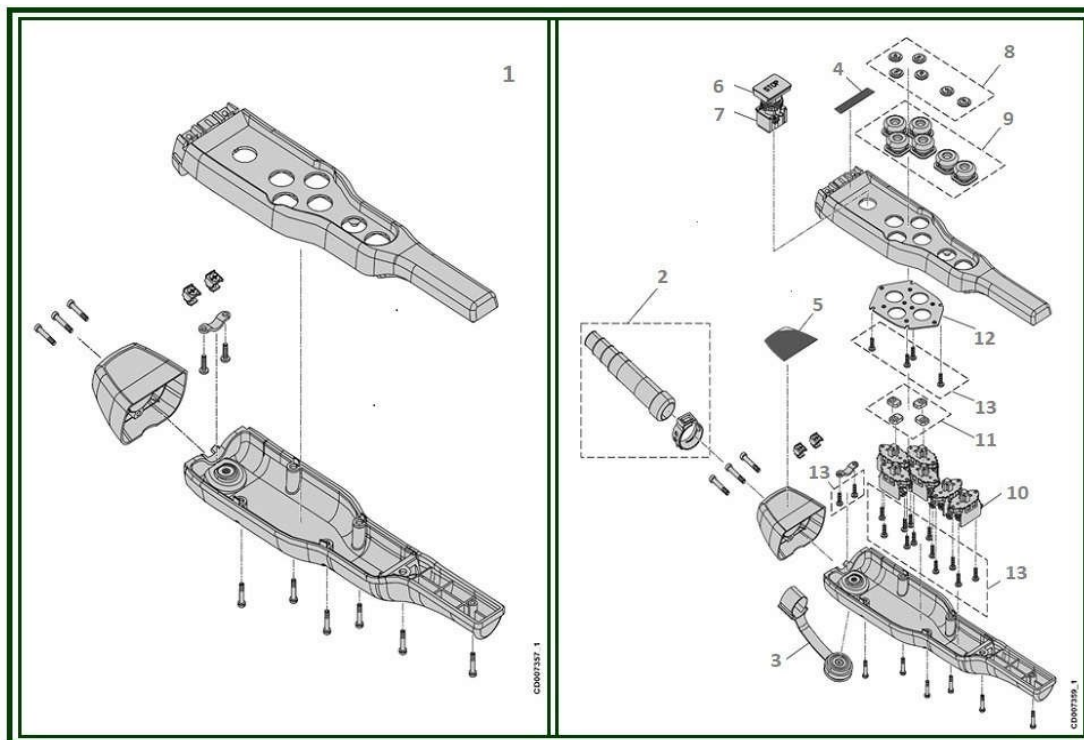
Item	Reference	Description	Observation	Quantity
1	<u>52569151</u>	Pendant controller 2HS+2TS+2LS+ON-OFF	Yellow	1

5.3. PBX – Twin hoist



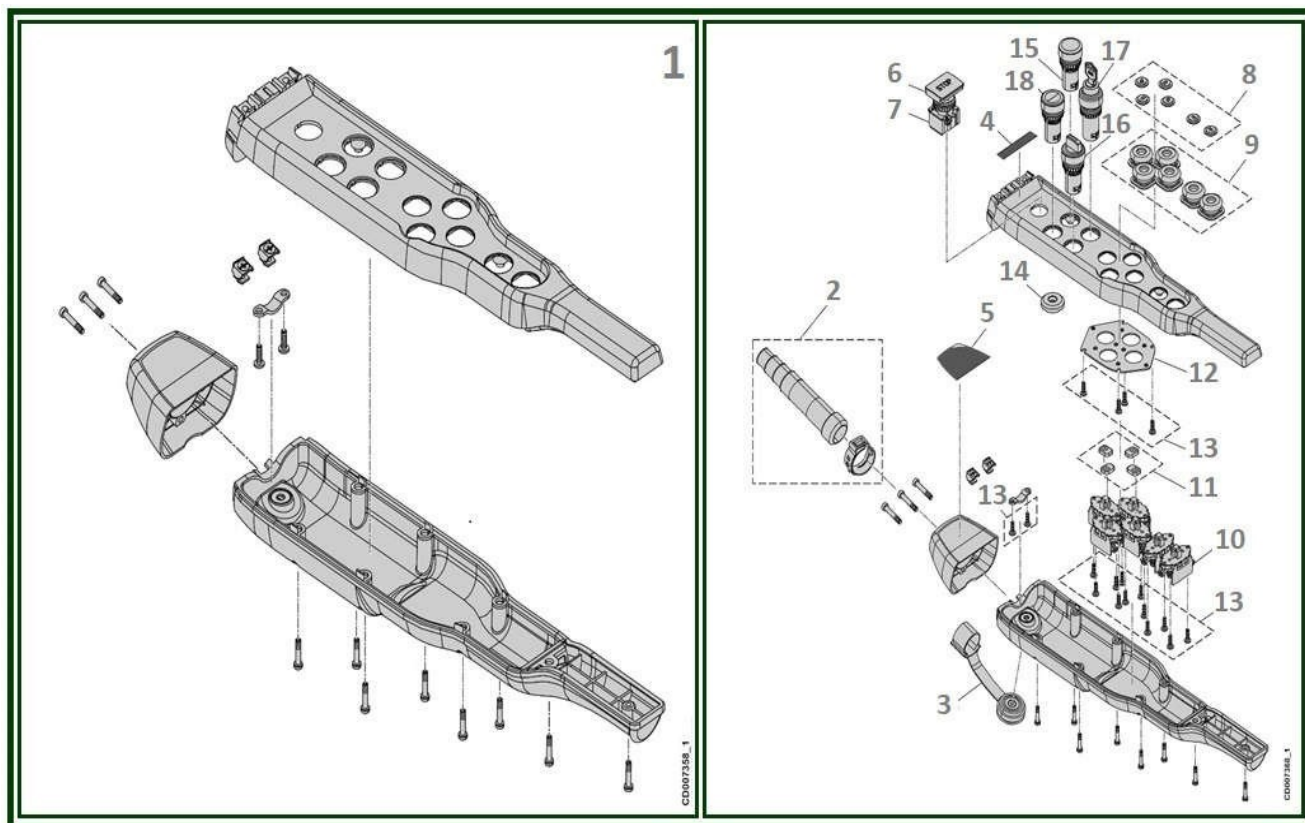
Item	Reference	Description	Observation	Quantity
1	<u>52569152</u>	Pendant controller 2HS+CT+LT+ES+selector	Yellow - 12 Boutons	1

5.4. 6 buttons ERGOMOVE - Since September 2014



Item	Reference	Description	Observation	Quantity
1	VT0007106	Pendant controller body		1
1	VT0013522	Pendant controller		1
2	VT0007149	Cable bushing		1
3	VT0010787	Magnet		1
5	VT0007148	Sticker	Logo	1
6	VT0010757	Emergency stop button		1
7	VT0010788	Contact block		1
8	VT0007147	Stickers - Direction symbols	ANSI	1
8	VT0007145	Stickers - Direction symbols	DIN	1
8	VT0007146	Stickers - Direction symbols	FIN	1
9	VT0007102	Push button		1
10	VT0007100	Contact block	Hoisting control (Up and Down) 2-step 1-button contact block	1
11	VT0007101	Push button		1
12	VT0007103	Shape plate		1
13	VT0007150	Screws set		1

5.5. 10 buttons ERGOMOVE - Since September 2014

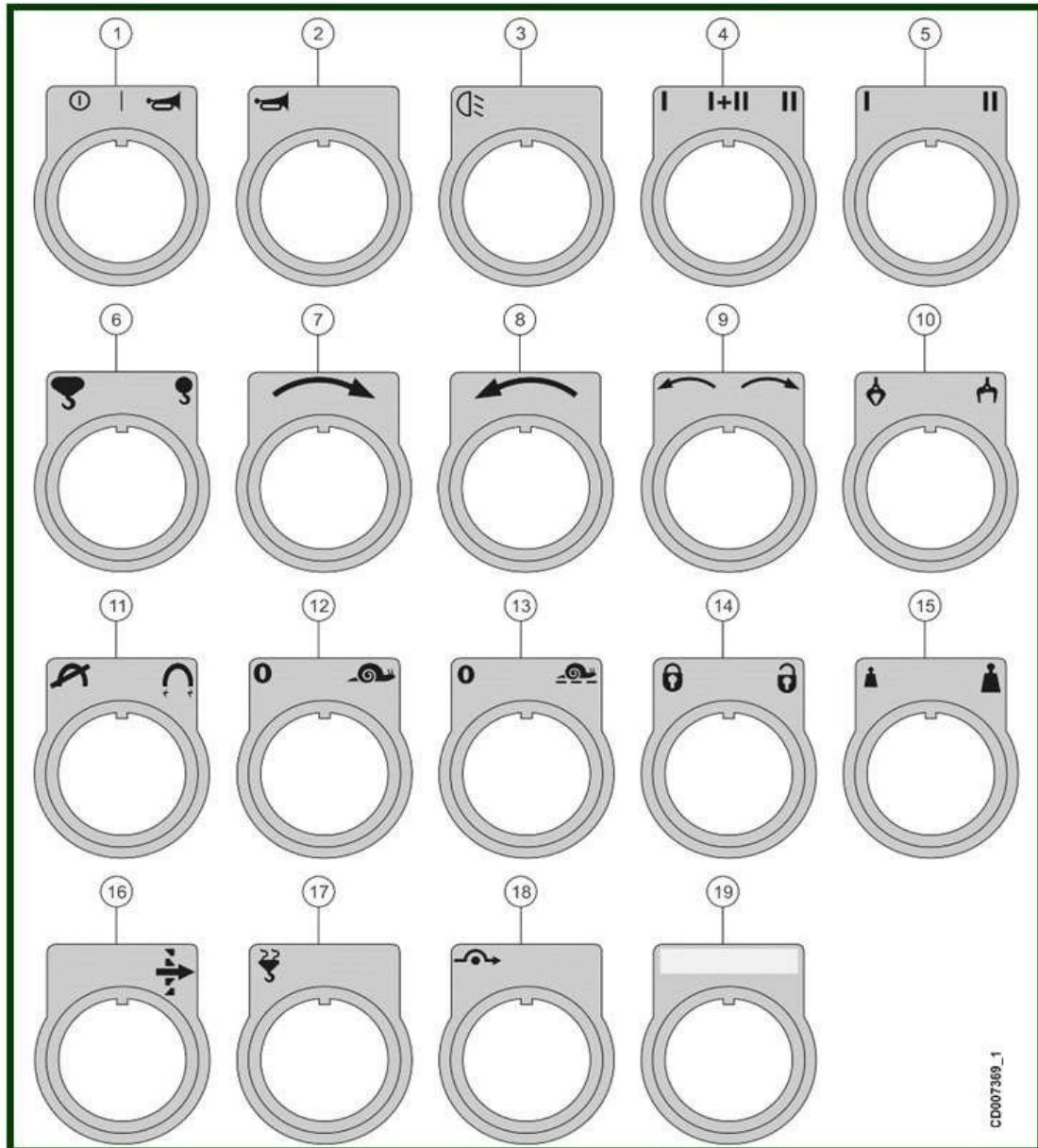


Item	Reference	Description	Observation	Quantity
1	VT0007107	Pendant controller body	Yellow	1
1	VT0013416	Pendant controller	Yellow	1
2	VT0007149	Cable bushing		1
3	VT0010787	Magnet		1
5	VT0007148	Sticker	Logo	1
6	VT0010757	Emergency stop button		1
7	VT0010788	Contact block		1
8	VT0007147	Stickers - Direction symbols	ANSI	1
8	VT0007145	Stickers - Direction symbols	DIN	1
8	VT0007146	Stickers - Direction symbols	FIN	1
9	VT0007102	Push button		1
10	VT0013419	Contact block	Crane and Trolley control (Foward/Backward and Right/Left) 2-step 1-button contact block	4

10 buttons ERGOMOVE – Since September 2014

Item	Reference	Description	Observation	Quantity
10	<u>VT0007100</u>	Contact block	Hoisting control (Up and Down) 2-step 1-button contact block	2
11	<u>VT0007101</u>	Push button		1
12	<u>VT0007103</u>	Shape plate		1
13	<u>VT0007150</u>	Screws set		1
14	<u>VT0007109</u>	Blanking Plug		1
15	<u>VT0007110</u>	Push button		1
16	<u>VT0010797</u>	Selector switch	Switch 0-1	1
16	<u>VT0007113</u>	Selector switch	Switch 1-1+2-2	1
16	<u>VT0007114</u>	Selector switch	Switch 1-2	1
16	<u>VT0010796</u>	Selector switch with spring return to center	Switch 1-0-2	1
16	<u>VT0010760</u>	Selector switch without spring return to center	Switch 1-0-2	1
17	<u>VT0010798</u>	Position Key Selector	Switch 0-1	1
18	<u>VT0010790</u>	Pilot lamp - 48V - Yellow		1
18	<u>VT0010758</u>	Pilot lamp - 48V - Red		1
18	<u>VT0010789</u>	Pilot lamp - 48V - Green		1
18	<u>VT0010793</u>	Pilot lamp - 115V - Yellow		1
18	<u>VT0010792</u>	Pilot lamp - 115V - Red		1
18	<u>VT0010791</u>	Pilot lamp - 115V - Green		1
18	<u>VT0010795</u>	Pilot lamp - 230V - Yellow		1
18	<u>VT0010759</u>	Pilot lamp - 230V - Red		1
18	<u>VT0010794</u>	Pilot lamp - 230V - Green		1

5.6. 10 buttons ERGOMOVE - Option pendant label



10 buttons ERGOMOVE – Option pendant label

Item	Reference	Description	Observation	Quantity
1	<u>VT0007126</u>	Pendant label - Start + Horn		1
2	<u>VT0007127</u>	Pendant label - Horn		1
3	<u>VT0007128</u>	Pendant label - Light		1
4	<u>VT0007129</u>	Pendant label - Hoist selector I,I+II, II		1
5	<u>VT0007130</u>	Pendant label - Hoist selector I, II		1
6	<u>VT0007131</u>	Pendant label - Hook selection		1
7	<u>VT0007132</u>	Pendant label - Rotate right		1
8	<u>VT0007133</u>	Pendant label - Rotate left		1
9	<u>VT0007134</u>	Pendant label - Rotate left / light		1
10	<u>VT0007135</u>	Pendant label - Close and open		1
11	<u>VT0007136</u>	Pendant label - Magnet Off / On		1
12	<u>VT0007137</u>	Pendant label - Microspeed		1
13	<u>VT0007138</u>	Pendant label - Microspeed		1
14	<u>VT0007139</u>	Pendant label - Lock / unlock		1
15	<u>VT0007140</u>	Pendant label - Load limiter		1
16	<u>VT0007141</u>	Pendant label - Restricted area		1
17	<u>VT0007142</u>	Pendant label - Slack rope		1
18	<u>VT0007143</u>	Pendant label - Bypass		1
19	<u>VT0007144</u>	Blank pendant label		1