

Spare parts catalog for "SM02"

To avoid errors, when ordering please specify:

- Complete type of hoist
- Date of manufacture and serial number
- Spare part code
- Spare part designation
- Additional information



0) DESCRIPTION

1) HOISTING MOTOR AND CASING

2) MECHANISM AND BRAKE

3) LIFTING ASSEMBLY

4) ELECTRIC CUBICLE FOR A VERSION

0) Description

Capacité de charge Load capacity	Type de palan Type of hoist	Modèles Models	Nombre de brins Numbers of falls	Type de chaîne Type of chain
250 kg	SM2 254M1	A	1	4x12

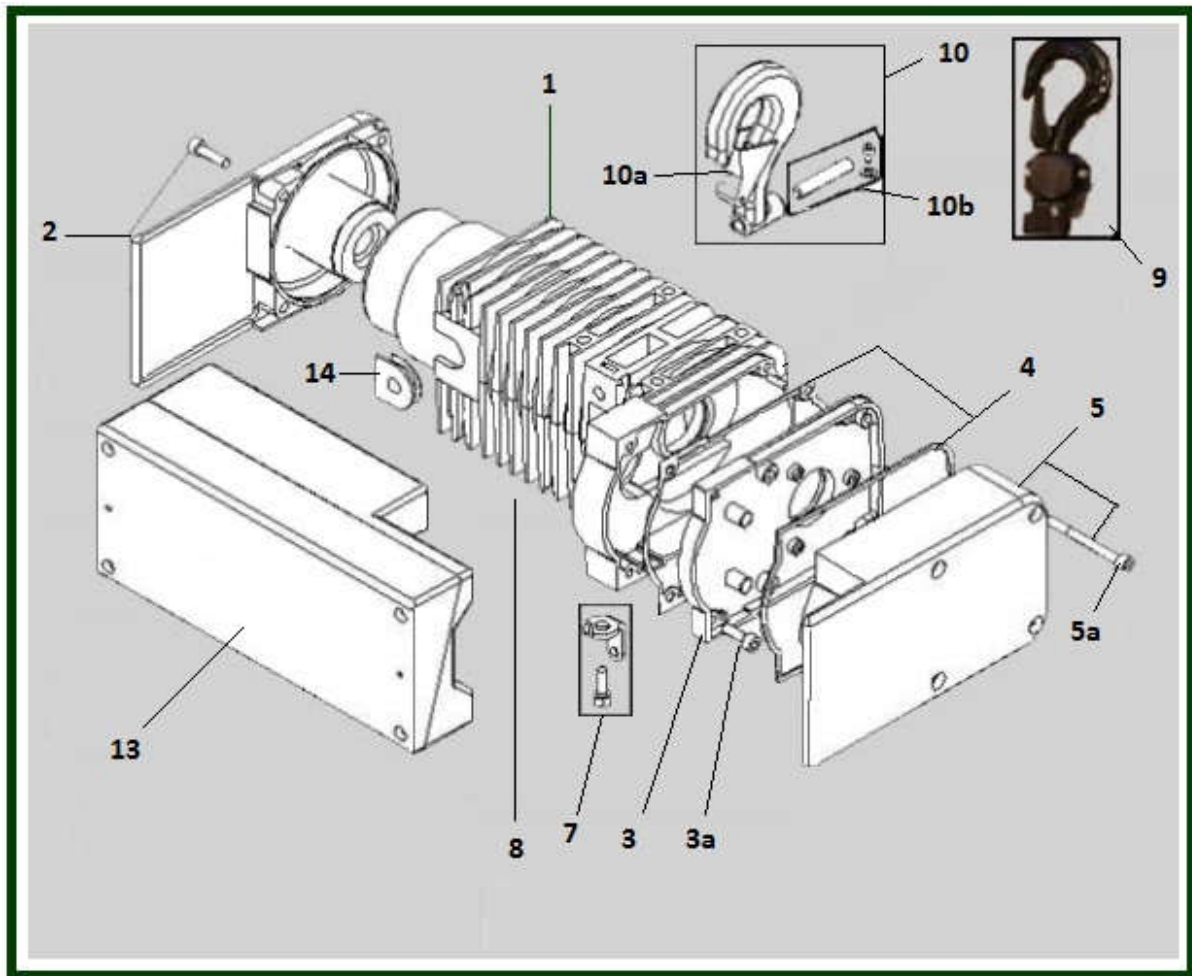
A version in inverted position



A version in normal position



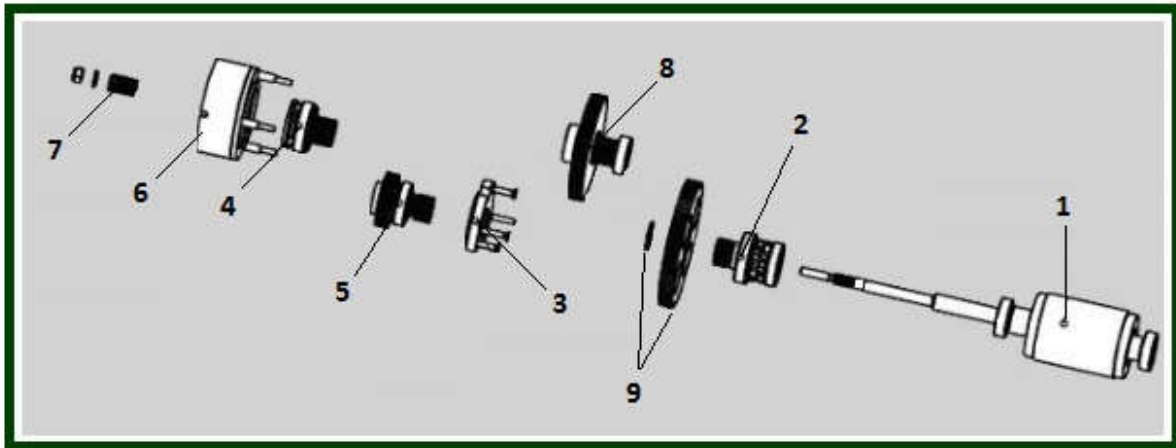
1) Hoisting motor and casing



item	reference	description	observation	Quantity
1	2218051	Casing assembled with stator - 2 speeds	230V - 50Hz - 3Ph - 2/8 poles	1
1	2218050	Casing assembled with stator - 2 speeds	400-460V - 50 60Hz - 3Ph - 2/8 poles	1
2	2218055	Motor end cap assembly		1
3	52339130	Brake mounting flange assembly		1
3a	7215353A	CHC screw 6x16		1
4	2218058	Gearbox seal and brake casing seal		1
5	2218056	Brake cover set		1
5a	52253667	Screw CHC 6x55mm		4
6	52329273	Marking	SM2	1
7	2218000	Push button station fixing point		1

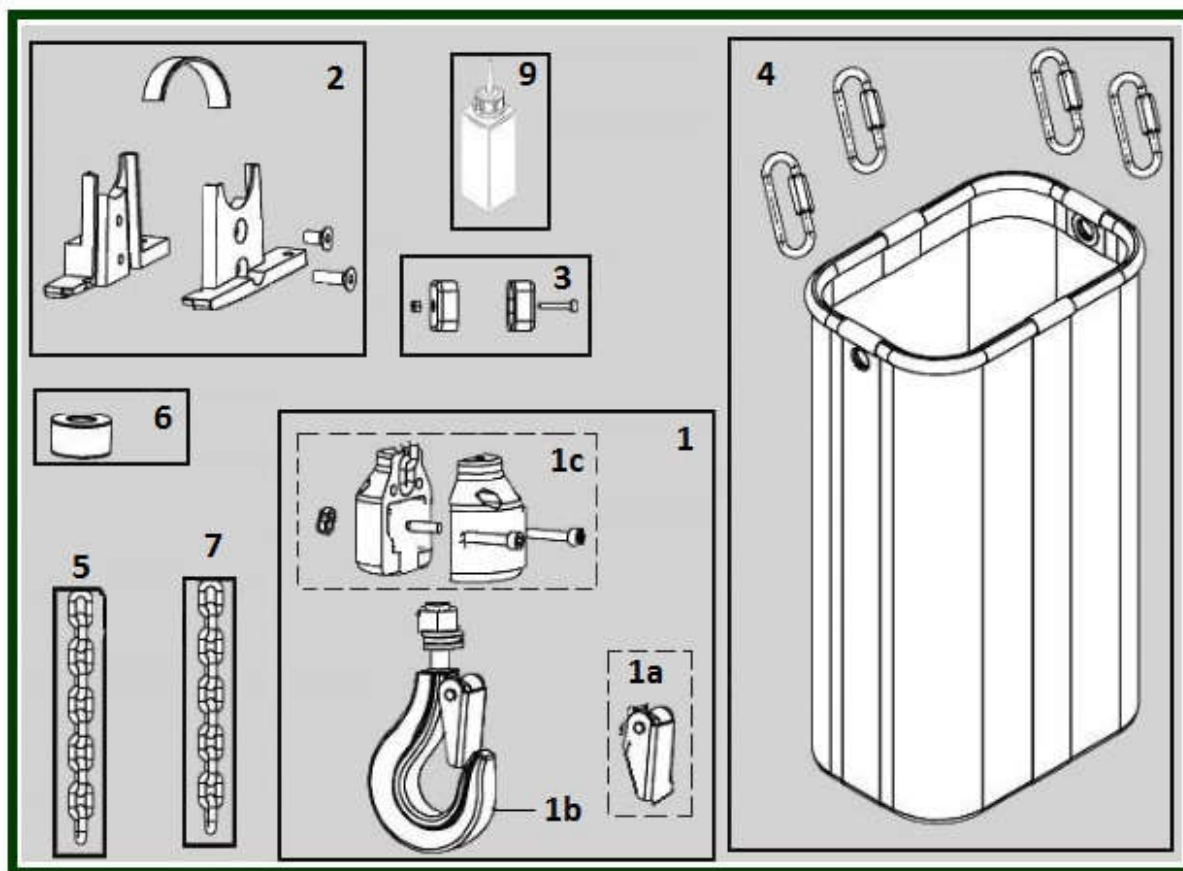
8	<u>2219918</u>	Set of 10 load plates - Hoist	250 kg	1
9	<u>52371406</u>	Swivelling hook	Type A depuis V47108 / Type A since V47108	1
10	<u>2218060</u>	Standard upper hook assembly	Type A us u D cembre 2007 / Type A up to Dec. 2007	1
10a	<u>2212016</u>	Safety latch - Steel	Crochet superieur - 1 brin / upper hook - 1 fall	1
10b	<u>52371300</u>	Hook suspension shaft set for fixed and swivelling hook		1
-	<u>52321501</u>	Set of 2 handles		1

2) Mechanism and brake



item	reference	description	observation	Quantity
1	52328299	rotor		1
2	52328297	Chain sprocket assembly		1
3	52371301	Pinion support	1er seuil / 1st step	1
4	52330765	Clutch set	SM2	1
5	52328308	Gear assembly	4m/min - 1er seuil / 1st step	1
6	2218031	Complete brake	100V 230V	1
6	2218030	Complete brake	190V 400V	1
7	2218044	limiter spring assembly		1
8	52328298	Gear assembly	2eme seuil / 2nd step	1
9	52371302	Gear wheel set		1

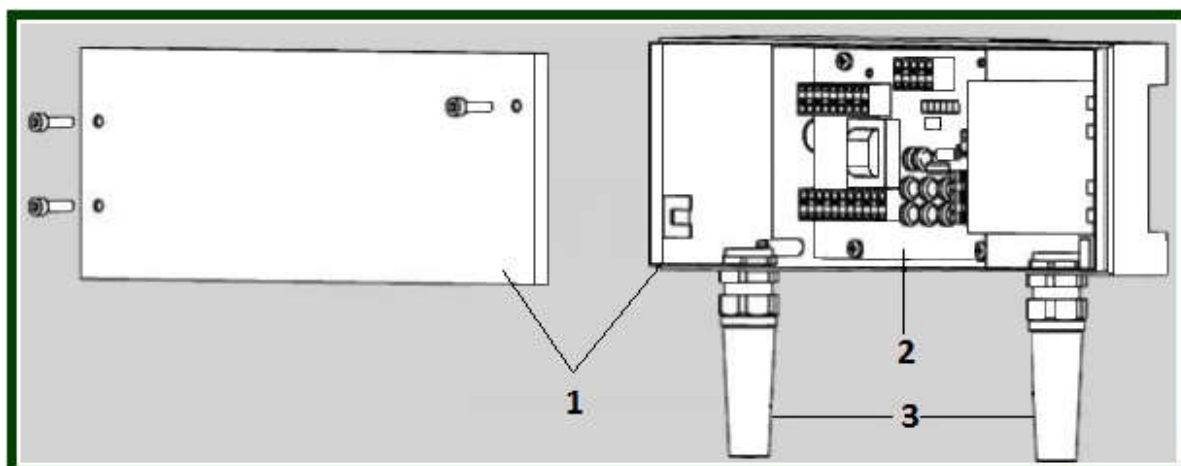
3) Lifting assembly



item	reference	description	observation	Quantity
1	52328303	lifting hook block	1 brin / 1 fall - Standard	1
1a	2212016	Safety latch - Steel	Crochet sup rieur - 1 brin / pper hook - 1 fall	1
1b	2212011	lifting hook - Standard	1 brin/ 1 fall	1
1c	52328305	Set of 2 half-casings with axle and screws		1
2	52330761	upper and lower chain guide		1
3	52328304	Slack fall stop assembly		1
4	52333407	Chain bag	C1 : 40 m - C5 : 20 m with carabiner version A - since may 2006	1
5	52328290	load chain - 4x12	en cas de remplacement de la chaine, l'utilisation de maillon de chaine est obligatoire when changing chain,using chain link is mandatory	1
6	52328580	rubber buffer stop		1
7	52330778	load chain mounting tool	links	1

9	<u>9995008</u>	oil can	125 ml	1
	<u>52341157</u>	false link		1
	<u>2218023</u>	Set of 10 load plates - Hook block	250 kg - 2 brins / 2 falls	1
	<u>52333916</u>	Support piece	Support bac à chaîne	1

4) Electric cubicle for A version



item	reference	description	observation	Quantity
1	52328295	SM2 cubicle	only for A version	1
2	834176	DC PC board	Uniquement pour treuil de type A (tension continue) only for A type hoist (direct voltage)	1
4	52333247	Spiral cable gland		2
	52292671	red power supply plug 3P	Pour version A / or A type hoist	1