

Spare parts catalog for "SM05 New - After 2003"

To avoid errors, when ordering please specify:

- Complete type of hoist
 - Date of manufacture and serial number
 - Spare part code
 - Spare part designation
 - Additional information
-



0) DESCRIPTION

1) HOISTING MOTOR AND CASING

2) MECHANISM AND BRAKE

2.1) Double break specific parts


3) LIFTING ASSEMBLY

4) ELECTRIC CUBICLE FOR A VERSION


0) Description

Capacité de charge <i>Load capacity</i>	Type de palan <i>Type of hoist</i>	Modèles <i>Models</i>	Nombre de brins <i>Number of falls</i>	Type de chaîne <i>Type of chain</i>
125 KG	SM5 124M2	D	1	4.8 X 12.5
	SM5 128M2			
250 KG	SM5 254M2	A,B,C,D,E		
	SM5 258M2			
	SM5 2516M1			
500 KG	SM5 504M1	A,B,C,E		
	SM5 508M1			
	SM5 504M2	D	2	

Inverted :
Version A (std) or Version B,C,D,E (option)

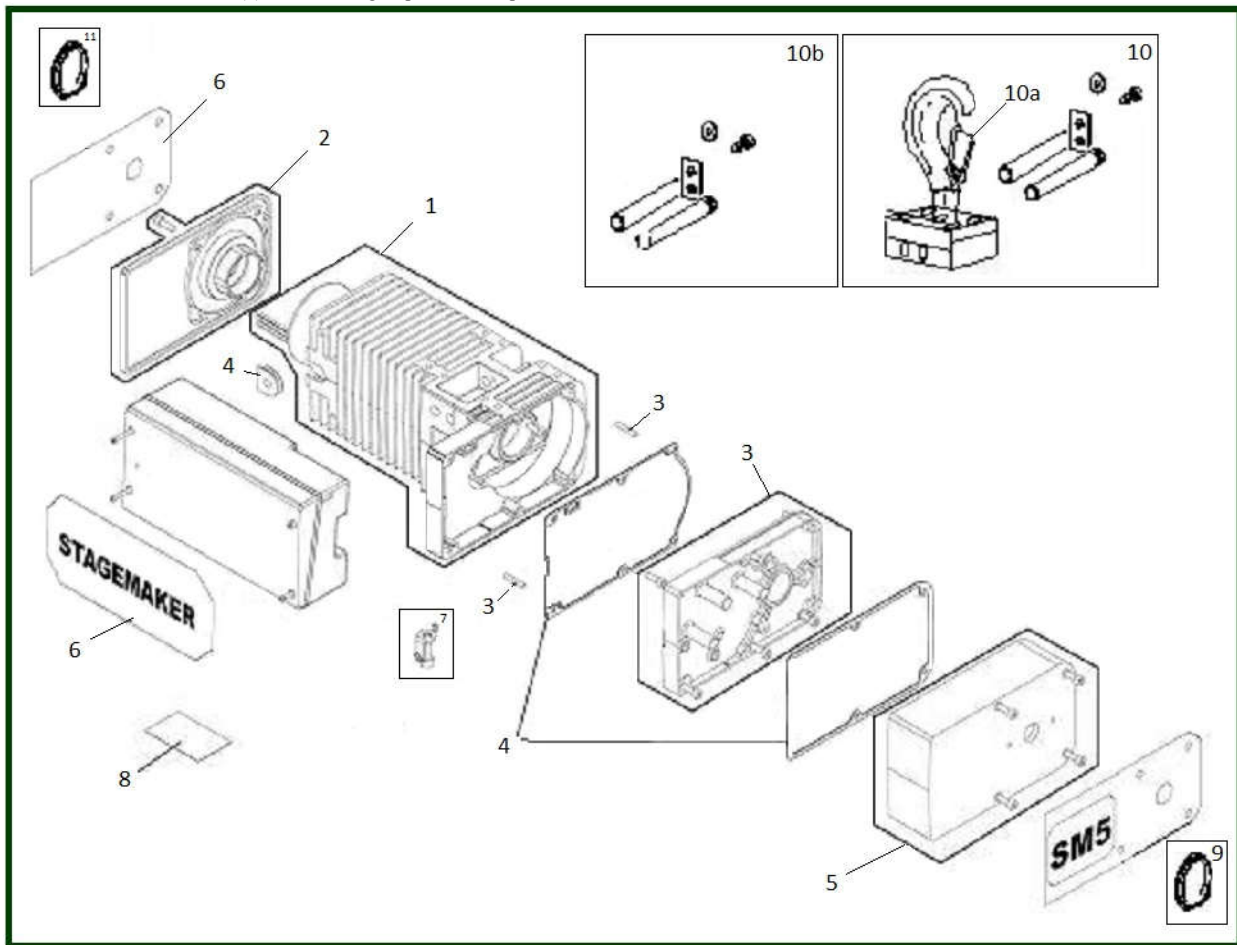


Normal :
Version B,C,D,E (Std) or version A (option)



1) Hoisting motor and casing

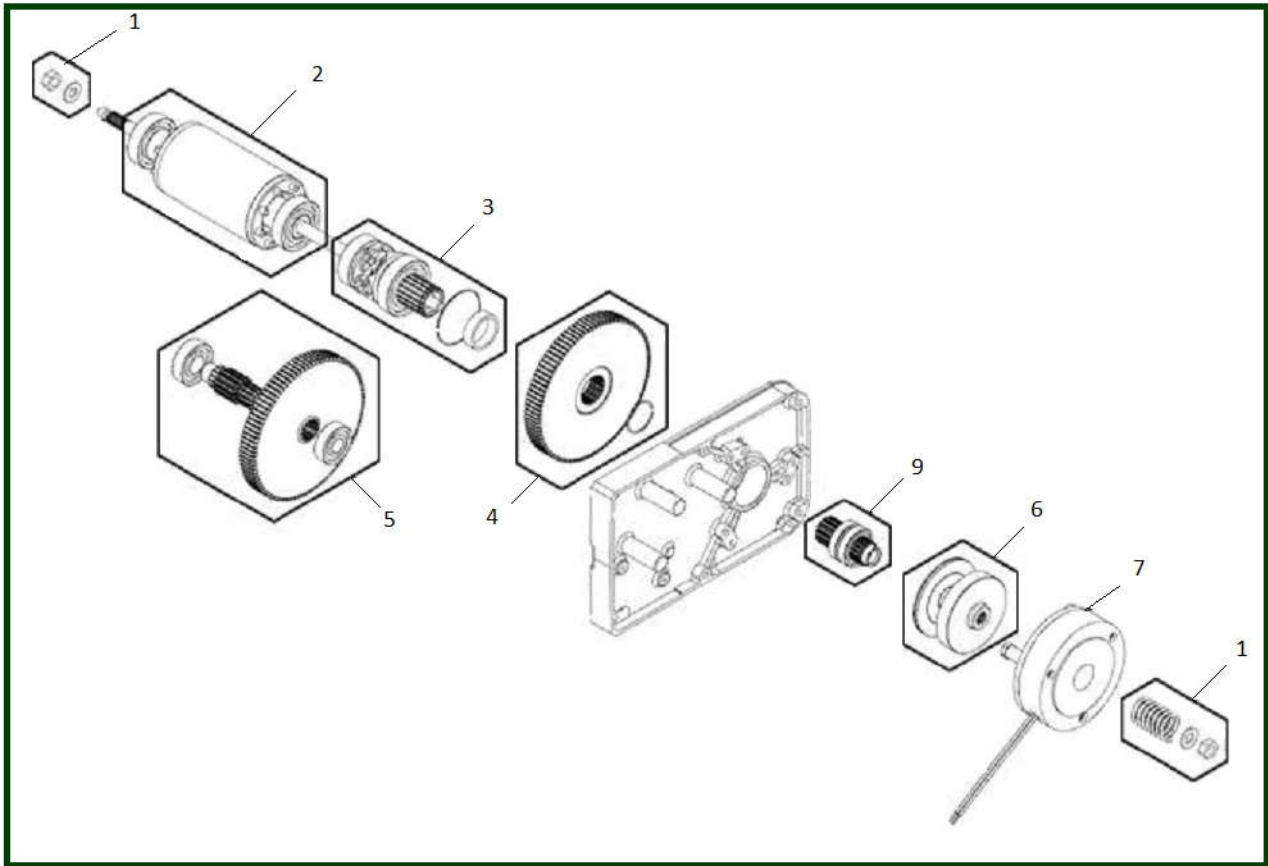
(* Used for single speed/Utilisé pour une vitesse 8m/mn 1 fall/1 brin or 4m/mn 2 falls/2 brins



item	reference	description	observation	Quantity
1	52308697	Casing assembled with stator	230V 50Hz 3PH.2&8P	1
1	52308704	Casing assembled with stator	230V 50Hz BIM.2&8P	1
1	52308702	Casing assembled with stator	230V 50Hz mono	1
1	52308699	Casing assembled with stator	230V 60Hz 3PH.2&8P	1
1	52308705	Casing assembled with stator	230V 60Hz BIM.2&8P	1
1	52308710	Casing assembled with stator	230V 400V 60Hz BIM.4P	1
1	52308709	Casing assembled with stator	230V 460V 60Hz BIM.2P	1
1	52308696	Casing assembled with stator	400V 50Hz 3PH.2&8P	1
1	52308707	Casing assembled with stator	400V 50Hz BIM.4P	1
1	52308701	Casing assembled with stator	400V 50Hz mono	1
1	52308698	Casing assembled with stator	400V 60Hz 3PH.2&8P	1
1	52308703	Casing assembled with stator	400V 60Hz BIM.2&8P	1
1	52308706	Casing assembled with stator	500V 50Hz 2V BIM	1
1	52308700	Casing assembled with stator	500V 50Hz 3PH.2&8P	1
1	52308708	Casing assembled with stator	500V 50Hz BIM.4P	1
2	52308741	Motor flange assy		1
3	52308742	Gear cover set		1
4	52308768	Set of sealings		1
5	52340760	Double brake housing module		1
5	52308747	Standard brake cover set		1
6	52311213	SM5 marking assembly		1
7	2218000	Button box fastening bracket		1
8	2219938	Set of 10 load plates - Hoist	125 kg	1
8	2219918	Set of 10 load plates - Hoist	250 kg	1
8	2219920	Set of 10 load plates - Hoist	500 kg	1
9	52283279	Cap - brake side		1

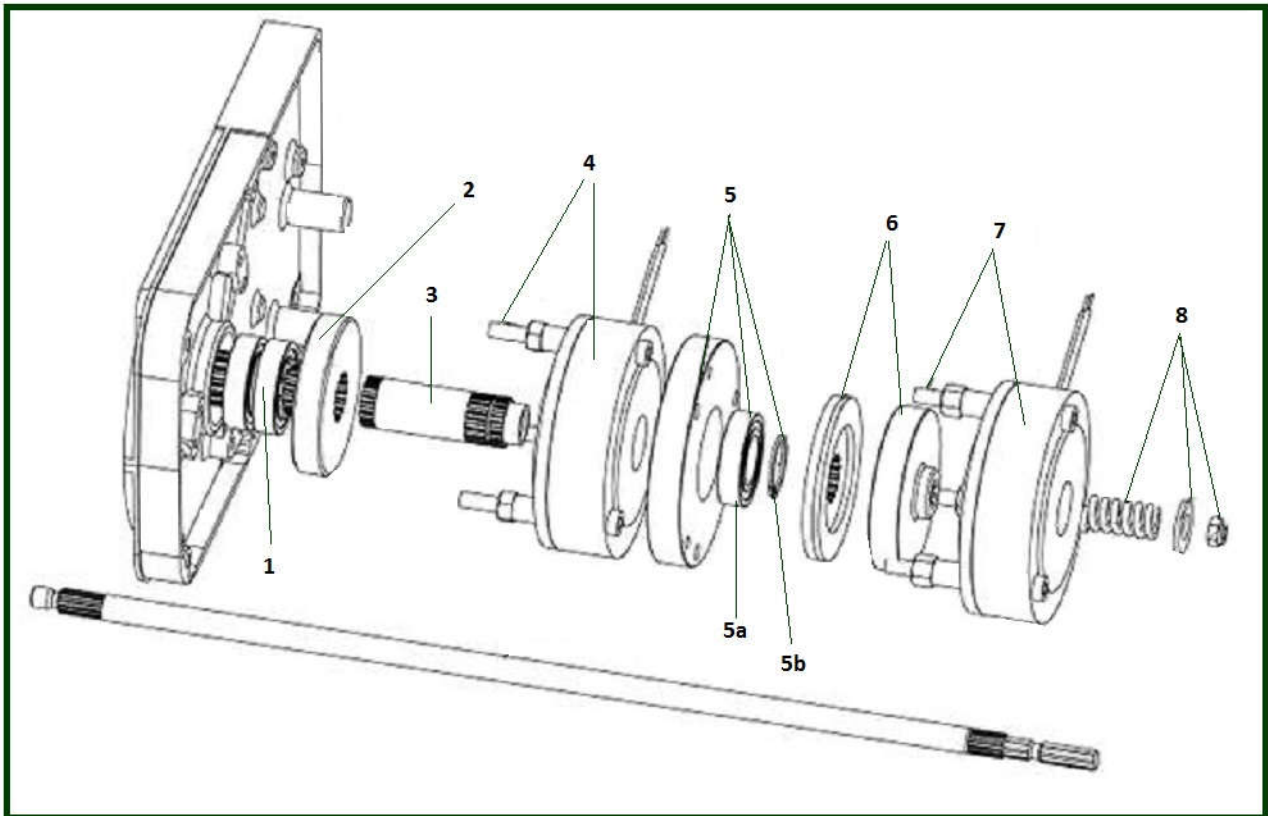
10	<u>52316782</u>	Rotating hook assembly set	Type A or Cas 1 (B,C,D,E)	1
10a	<u>2212017</u>	Safety latch - Steel plate type	1 & 2 brins - Depuis 2000 1 & 2 falls - Since 2000	1
10b	<u>2257020</u>	Kook suspension shaft set		1
11	<u>2218001</u>	Cap - Moteur side		1
-	<u>52334562</u>	Canvas rain cover		1
-	<u>52308744</u>	Cap - Brake side		1
-	<u>2257018</u>	Set of 2 handles		1

2) Mechanism and brake



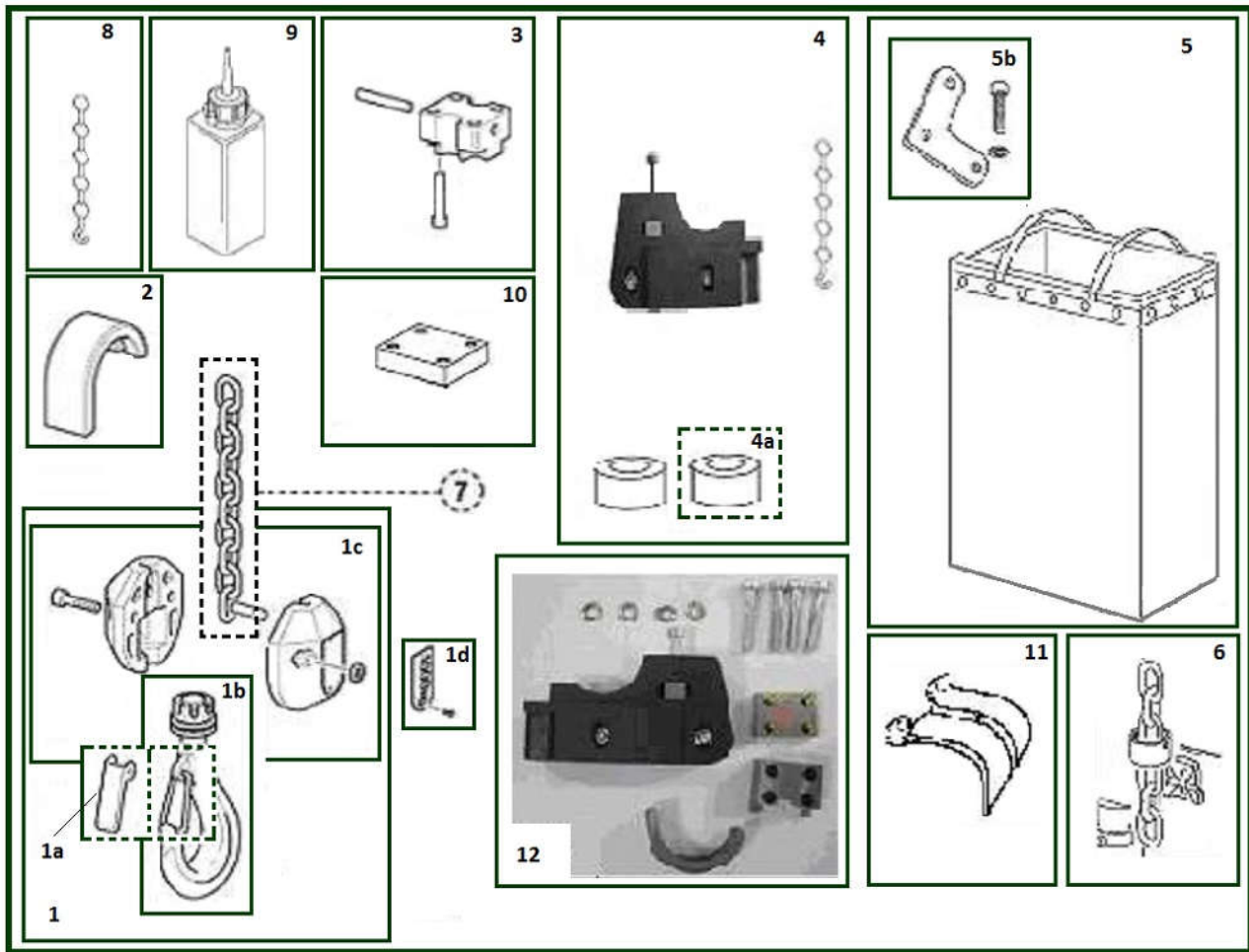
item	reference	description	observation	Quantity
1	2211016	Clutch spring set		1
2	52305652	Rotor Assembly		1
3	52305659	Chain sprocket assembly		1
4	52305473	Gear wheel set	8 m/mn	1
4	52308850	Gear wheel set	16 m/mn	1
5	52308771	Gear assembly	8 m/mn	1
5	52315180	Gear assembly	16 m/mn	1
6	52308772	Clutch set	Supérieur à 125 kg - 1 brin Higher than 125 kg - 1 fall	1
7	52305488	Brake	100VDC/230VAC	1
7	52305489	Brake	190VDC/400VAC	1
7	52305490	Brake	230VDC/500V-575VAC	1
8	52305461	Motor shaft		1
9	52305658	Pinion set		1

2.1) Double break specific parts



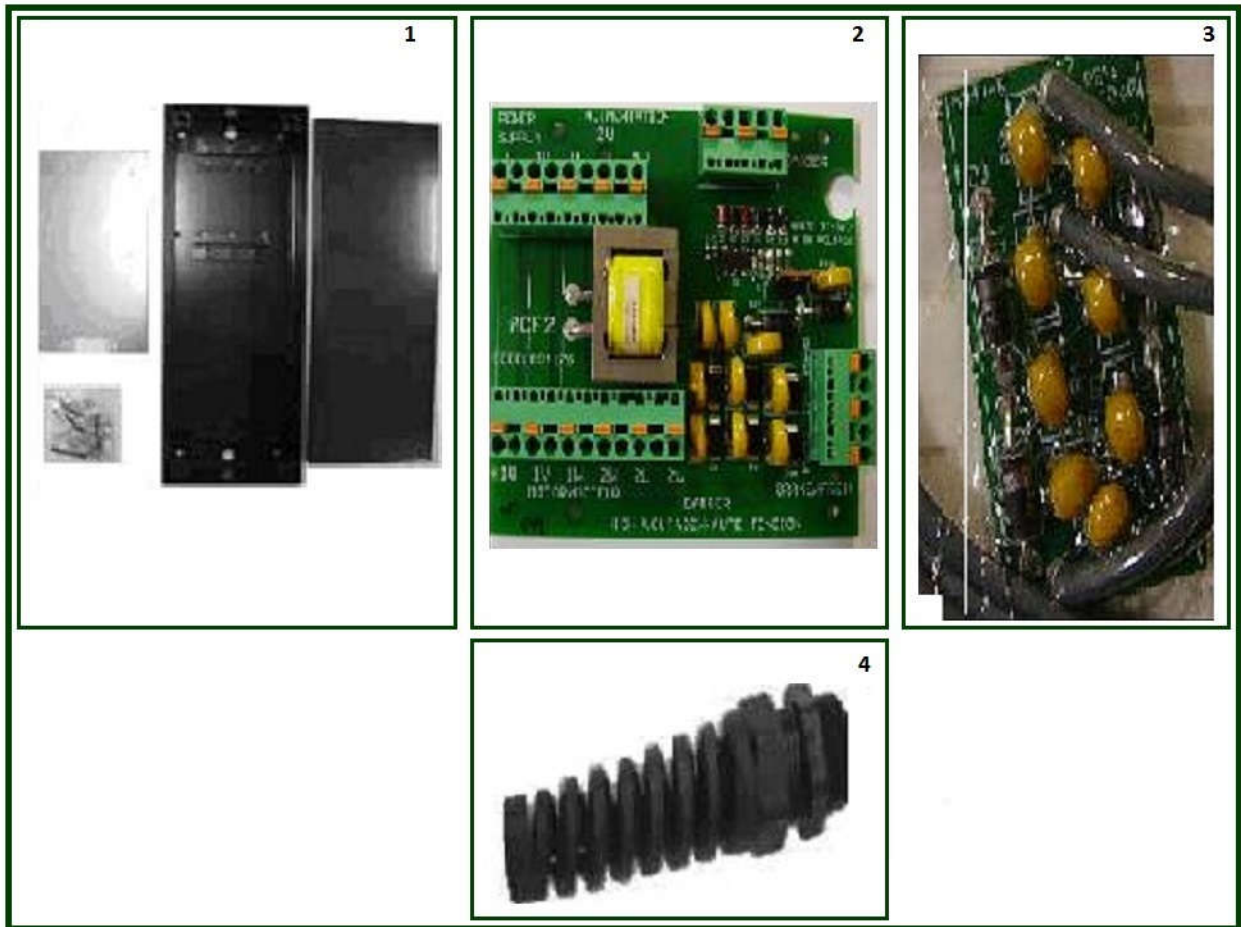
item	reference	description	observation	Quantity
1	52310083	Double brake assembly		1
2	52305514	Load limiter disc for double brake		1
3	52305516	Load limiter shaft		1
4	52340473	Brake	100VDC/ 230VAC	1
4	52340472	Brake	190VDC/ 400VAC	1
4	52340474	Brake	240VDC/ 500-575VAC	1
5	52340475	Second brake support plate/ bearing + circlip		1
5a	52253277	Bearing		1
5b	830660	Circlip	20E	1
6	52308772	Clutch set	Supérieur à 125 kg - 1 brin Higher than 125 kg - 1 fall	1
7	52340470	Brake	100VDC/ 230VAC	1
7	52340469	Brake	190VDC/ 400VAC	1
7	52340471	Brake	240VDC/ 500-575VAC	1
8	2211016	Clutch spring set		1
9	52305512	Double brake motor shaft		1

3) Lifting assembly



item	reference	description	observation	Quantity
1	52293142	Fall lifting hook block - Standard type		1
1a	2212017	Safety latch - Steel plate type	1 & 2 brins - Depuis 2000 1 & 2 falls - Since 2000	1
1b	2257006	Fall lifting hook - Standard type		1
1c	52318801	Set of 2 half-casings with axle and screws		1
1d	2219937	Set of 10 load plates - 1 fall	125 kg	1
1d	2219907	Set of 10 load plates - 1 fall	250 kg	1
1d	2219909	Set of 10 load plates - 1 fall	500 kg	1
1d	2219917	Set of 10 load plates - Hoist	160 kg	1
1d	2219919	Set of 10 load plates - Hoist	320 kg	1
1d	2219921	Set of 10 load plates - Hoist	630 kg	1
1d	2219922	Set of 10 load plates - Hoist	1000 kg	1
2	2214011	Upper chain guide		1
3	52309350	Chain anchor assembly		1
4	52391768	Chainflux chain guide set	Version A	1
4a	52305498	Rubber buffer		2
5	52333407	Chain bag	C1 : 40 m - C5 : 20 m With carabiner version A - since may 2006	1
5	52311223	Chain bag - 40 m	With carabiner version A	1
5	52328054	Chain bag - 50 m	With carabiner version A ou Cas 1 (B,C,D,E)	1
5b	52306044	Fixing plate set	With carabiner version A	1
6	2211050	Slack fall stop assembly		1
7	52322933	Load chain - Black type	4.8x12.5	1
8	2211045	Load chain mounting tool		1
9	9995008	Oil can	125 ml	1
10	52305497	Rope anchorage	Seulement dans le cas d'un mouflage en 2/1 / only to modify the hoist 2/1	1
11	NC(5)	External chain guide	Not supplied anymore replaced by 52309591	1
12	52319865	Repairing kit for SM5	When lugs on housing are broken	1

4) Electric cubicle for A version



item	reference	description	observation	Quantity
1	52340064	Empty alu. cubicle with sealing		1
1	52305931	Metal cubicle set	Pour version A jusqu'à 4/10/2004 et version E For A type hoist to 4/10/2004 and E type	1
2	834176	DC PC board	Only for A type hoist (direct voltage)	1
3	2243060	Rectifier	230V/400V/460V/500V/575V Palan standard ou stagemaker version E (tension directe) Standard hoist or stagemaker E type hoist (direct voltage)	1
4	52283994	Spiral cable gland		1
-	52293328	Filter for encoder bearing		1
-	52292671	Red power supply plug 3P+ E	Pour version A / For A type hoist	1