

Spare parts catalog for "SM05 - Before 2003"

To avoid errors, when ordering please specify:

- Complete type of hoist
 - Date of manufacture and serial number
 - Spare part code
 - Spare part designation
 - Additional information
-



0) DESCRIPTION

1) HOISTING MOTOR AND CASING

2) MECHANISM AND BRAKE

2.1) Spécific part - Double brake

3) LIFTING ASSEMBLY

4) ELECTRIC CUBIC FOR A VERSION

0) Description

Load capacity Capacité de charge	Type of hoist Type de palan	Models Modèles	Number of falls Nombre de brins	Type of chain Type de chaîne
125 Kg	SM5 124M2	D	1	4.8 x 12.5
	SM5 128M2			
250 Kg	SM5 254M2	A,B,C,D,E		
	SM5 258M2			
	SM5 2516M1			
500 Kg	SM5 504M1	A,B,C,E		
	SM5 508M1			
	SM5 504M2	D		



Version inversée A (standard) ou versions B,C,D,E

Inverted version A (std) or versions B,C,D,E (inverted option)

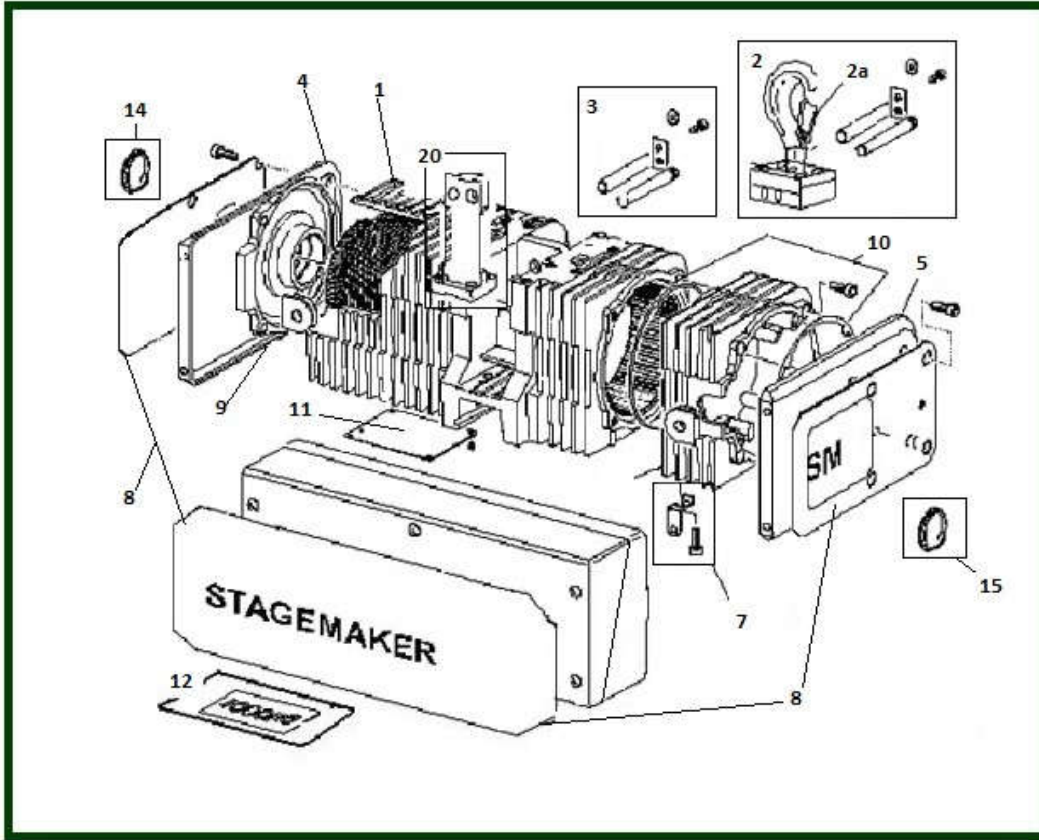


Version normale B,C,D,E (std) ou version A (option)

Normal : version B,C,D,E (std) or version A (option)

1) Hoisting motor and casing

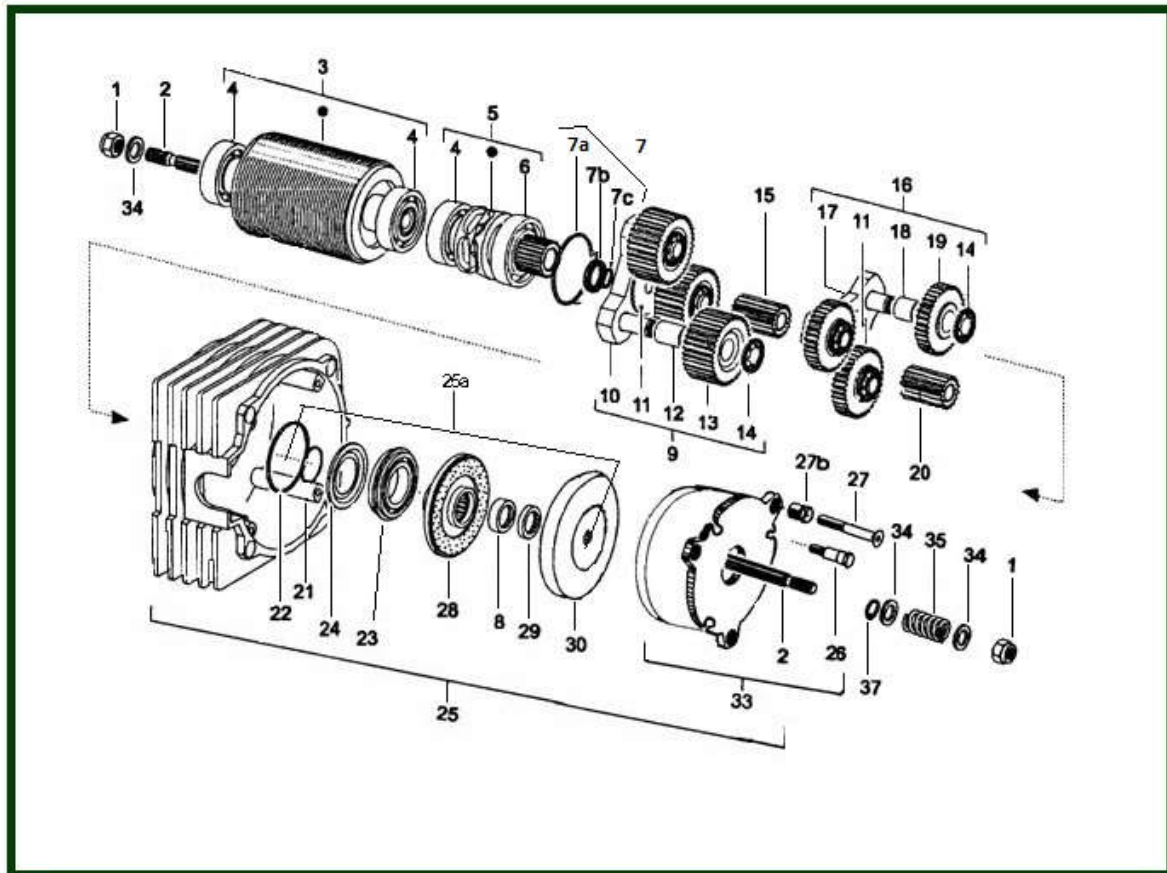
(*) Utilisé pour une vitesse/Used for single speed/ - 8m/mn 1 fall/1 brin or 4m/mn 2 falls/2 brins



item	reference	description	observation	Quantity
1	2219970	Housing assembled with stator and gear	230V 50Hz 1 Vitesse/1 speed - 4 pôles	1
1	2219965	Housing assembled with stator and gear	230V 50Hz Bi-vitesses ou utilisé en mono-vitesse 8m/mn 1 brin ou 4m/mn 2 brins 2 speeds or used for single speed 8m/mn 1 fall or 4m/mn 2 falls	1
1	2219967	Housing assembled with stator and gear	230V 60Hz Bi-vitesses ou utilisé en mono-vitesse 8m/mn 1 brin ou 4m/mn 2 brins 2 speeds or used for single speed 8m/mn 1 fall or 4m/mn 2 falls	1
1	2219969	Housing assembled with stator and gear	400V 50Hz-460V 60Hz 1 Vitesse/1 speed - 4 pôles	1
1	2219964	Housing assembled with stator and gear	400V 50Hz-460V 60Hz Bi-vitesses ou utilisé en mono-vitesse 8m/mn 1 brin ou 4m/mn 2 brins 2 speeds or used for single speed 8m/mn 1 fall or 4m/mn 2 falls	1
1	2219966	Housing assembled with stator and gear	400V 60Hz Bi-vitesses ou utilisé en mono-vitesse 8m/mn 1 brin ou 4m/mn 2 brins 2 speeds or used for single speed 8m/mn 1 fall or 4m/mn 2 falls	1

1	<u>2219968</u>	Housing assembled with stator and gear	500V 50hz-575V 60Hz Bi-vitesses ou utilisé en mono-vitesse 8m/mn 1 brin ou 4m/mn 2 brins 2 speeds or used for single speed 8m/mn 1 fall or 4m/mn 2 falls	1
1	<u>2219974</u>	Housing assembled with stator and gear	500V/50Hz-575V/60Hz 1 Vitesse/1 speed - 4 pôles	1
1	<u>2209964</u>	Housing assembled with stator and gear with loadwheel	400V 50Hz-460V 60Hz Bi-vitesses ou utilisé en mono-vitesse 8m/mn 1 brin ou 4m/mn 2 brins 2 speeds or used for single speed 8m/mn 1 fall or 4m/mn 2 falls	1
2	<u>52316782</u>	Rotating hook assembly set	Type A or Cas 1 (B,C,D,E)	1
2a	<u>2212017</u>	Safety latch - Steel plate type	1 & 2 brins - Depuis 2000 1 & 2 falls - Since 2000	1
3	<u>2257020</u>	Kook suspension shaft set		1
4	<u>2219961</u>	Motor end cap assembly	Vis M6 + Opercule de fermeture / M6 screw + Cap	1
5	<u>2219962</u>	Brake end cap assembly	Contrepoids + Vis / Counterweight + screws	1
6	<u>2210007</u>	Brake cap assembly		1
7	<u>2218000</u>	Button box fastening bracket		1
8	<u>2216047</u>	SM5 stickers and covers set		1
9	<u>2218004</u>	Cable guide		1
10	<u>2218006</u>	Sealing ring and O-ring for brake cap		1
11	<u>2216520</u>	Motor identification plate	N° de série obligatoire / Only if serial number provided	1
12	<u>2219938</u>	Set of 10 load plates - Hoist	125 kg	1
12	<u>2219918</u>	Set of 10 load plates - Hoist	250 kg	1
12	<u>2219920</u>	Set of 10 load plates - Hoist	500 kg	1
14	<u>2218001</u>	Cap - Moteur side		1
15	<u>52283279</u>	Cap - brake side		1
-	<u>52334562</u>	Canvas rain cover		1
-	<u>2257018</u>	Set of 2 handles		1

2) Mechanism and brake



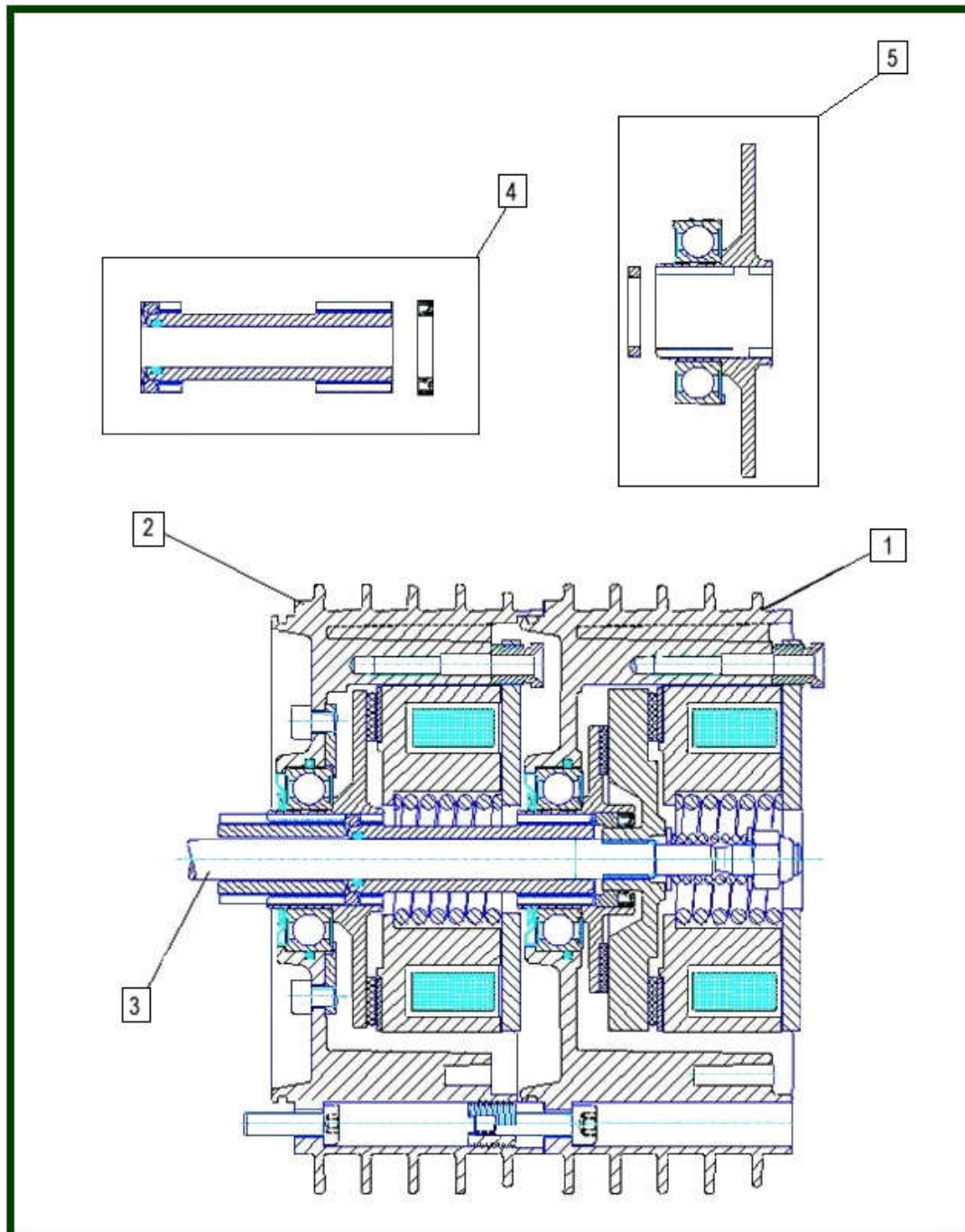
item	reference	description	observation	Quantity
2	2211501	Gear input shaft		1
3	2215000	Rotor assembly	•+4+4 - Bi vitesses / 2 speeds	1
3	2215001	Rotor assembly	•+4+4 - Mono vitesse / 1 speed	1
4	833713	Bearing		1
5	2214001	Chain sprocket assembled	•+4+6	1
7	2219983	Gear sealing set		1
9	2210520	Planet gear assembly - 2nd step	10+11+12+13+14 - 16 m/min	1
9	2210500	Planet gear assembly - 2nd step	10+11+12+13+14 - 8 m/min	1
15 - 20	2210503	Pinion	Item 15 : 2 ^e étage / 2nd step	1
16	2210510	Planet gear assembly - 1st step	11+14+17+18+9	1
25	2211071	Brake limiter, assembly + housing 100 VDC	De 220 V à 230V	1
25	2211070	Brake limiter, assembly + housing 190 VDC	De 380 V à 460 V	1
25	2211072	Brake limiter, assembly + housing 240 VDC	De 500 V à 575 V	1
25a	2219984	Metal sealing ring set and brake disc	21+22+23+ 24+28+8+29+30	1

30	<u>2211020</u>	Brake disk		1
33	<u>2211080</u>	Brake with fittings	100 V	1
33	<u>2211081</u>	Brake with fittings	190 V	1
33	<u>2211082</u>	Brake with fittings	240 V	1
33	<u>2211083</u>	Brake with fittings	330 V à 690 V	1
-	<u>2211016</u>	Clutch spring set		1
-	<u>2218009</u>	Sealing set	22+23+24+29+37	1

2.1) Spécific part - Double brake

For other parts, refer to C05 standard doc/ Pour les autres pièces, se référer aux pièces standards de la doc C05.

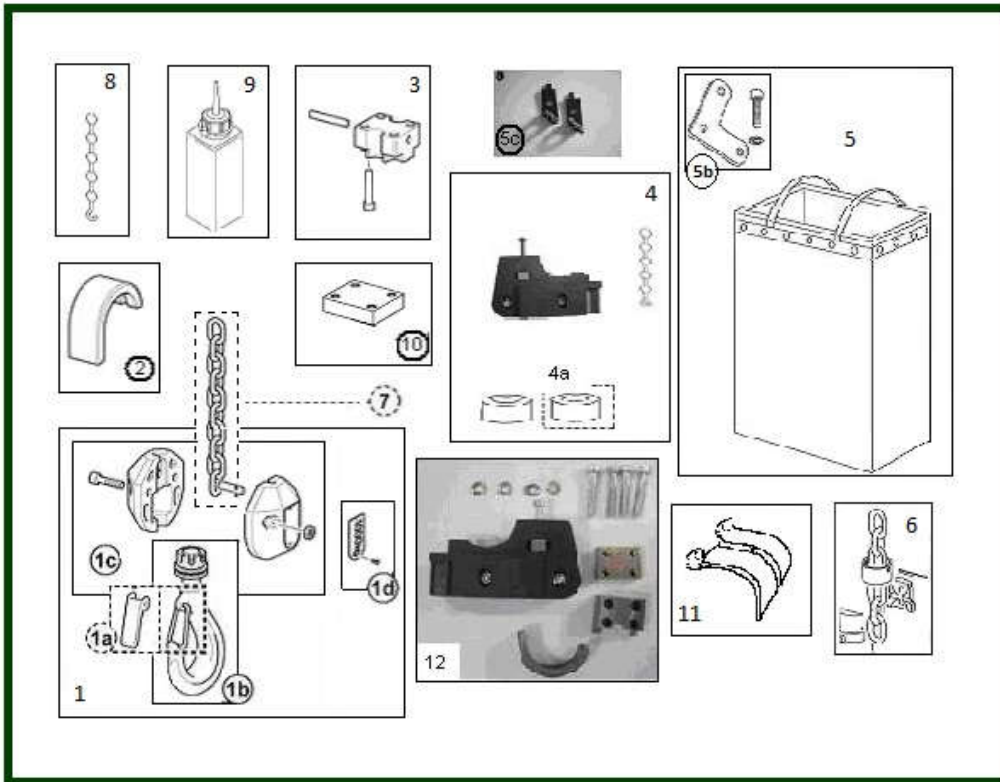
Note: use black AS312 loctite between first and second brake housing / utiliser du loctite AS312 noir entre le premier et le second frein



item	reference	description	observation	Quantity
1	2219017	First brake limiter assembly with housing	100VDC	1
1	2219007	First brake limiter assembly with housing	190VDC	1
2	2219008	First brake limiter assembly with housing	190VDC	1
2	2219018	Second brake assembly with housing	100VDC	1

3	<u>2219051</u>	Double brake motor shaft		1
4	<u>52316873</u>	Coupling pinion set		1
5	<u>52316872</u>	Friction disc assembly for second brake		1
-	<u>2219058</u>	Metal electric box		1
-	<u>52316874</u>	Sealing set		1

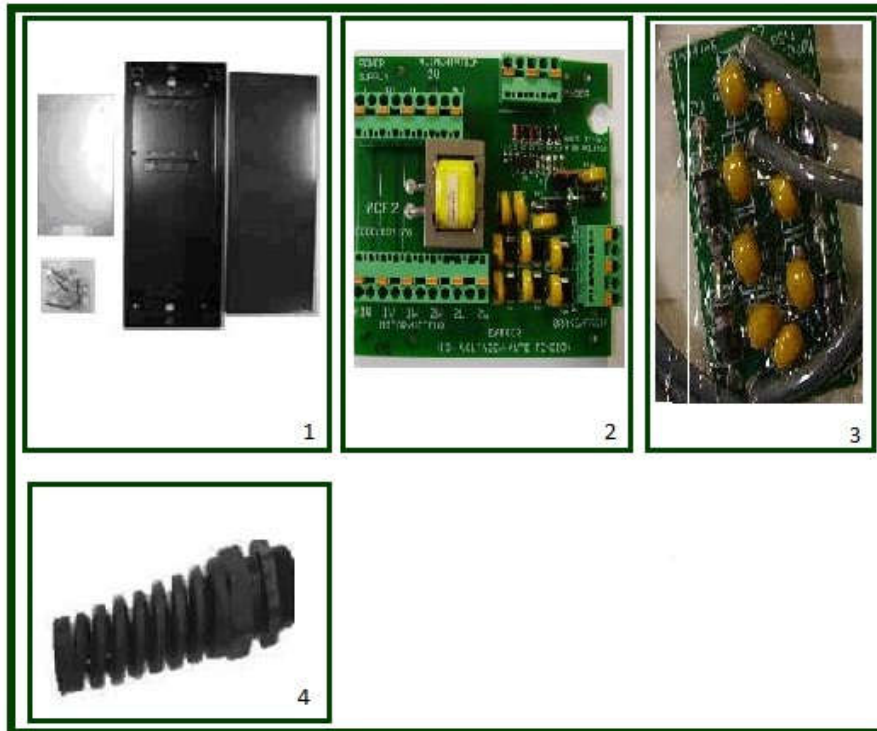
3) Lifting assembly



item	reference	description	observation	Quantity
1	52293142	Fall lifting hook block - Standard type		1
1a	2212017	Safety latch - Steel plate type	1 & 2 brins - Depuis 2000 1 & 2 falls - Since 2000	1
1b	2257006	Fall lifting hook - Standard type		1
1c	52318801	Set of 2 half-casings with axle and screws		1
1d	2219937	Set of 10 load plates - 1 fall	125 kg	1
1d	2219907	Set of 10 load plates - 1 fall	250 kg	1
1d	2219909	Set of 10 load plates - 1 fall	500 kg	1
2	2214011	Upper chain guide		1
3	2213523	Chain anchor assembly		1
4	52311106	lower chain guide set +buffers		1
4a	52305498	Rubber buffer		2
5	52311223	Chain bag - 40 m	With carabiner version A	1
5	52328054	Chain bag - 50 m	With carabiner version A ou Cas 1 (B,C,D,E)	1
5b	52306044	Fixing plate set	With carabiner version A	1
5c	2257019	Fixing plate set for old chainbag		1
6	2211050	Slack fall stop assembly		1
7	52322933	Load chain - Black type	4.8x12.5	1
8	2211045	Load chain mounting tool		1

9	<u>9995008</u>	Oil can	125 ml	1
10	<u>2213521</u>	Fix point for hoist 2/1	Seulement dans le cas d'un mouflage en 2/1 / Only to modify the hoist 2/1	1
12	<u>52300195</u>	Repairing kit for SM5	When lugs on housing are broken	1

4) Electric cubic for A version



item	reference	description	observation	Quantity
1	52307758	SM5 Metal electrical cubicle	for A type hoist (direct voltage) until 4/10/2004	1
2	834176	DC PC board	Only for A type hoist (direct voltage)	1
3	2243060	Rectifier	230V/400V/460V/500V/575V Palan standard ou stagemaker version E (tension directe) Standard hoist or stagemaker E type hoist (direct voltage)	1
4	52283994	Spiral cable gland		1
-	52292671	Red power supply plug 3P+ E	Pour version A / For A type hoist	1