

Spare parts catalog for "SM10"

To avoid errors, when ordering please specify:

- Complete type of hoist
- Date of manufacture and serial number
 - Spare part code
 - Spare part designation
 - Additional information



- 0. DESCRIPTION.....2
- 1. HOISTING MOTOR AND CASING3
- 2. MECHANISM AND BRAKE.....5
 - 2.1 Double break specific parts.....6
- 3. LIFTING ASSEMBLY7
 - 3.1 Precut chain9
- 4. ELECTRIC CUBICLE FOR A VERSION10

0. DESCRIPTION

Load capacity Capacité de charge	Type of hoist Type de palan	Models Modèles	Number of falls Nombre de brins	Type of chain Type de chaîne
250 KG	SM102516M2	D	1	6.8x17.8
500 KG	SM105016M1	A,B,C,E		
	SM10504M2	D		
	SM10508M2	D		
1000 KG	SM101004M1	A,B,C,E		
	SM101008M1			
	SM101002M2	D		
	SM101004M2			
2000 KG	SM102002M1			
	SM102004M1			

Version inversée : Version A (std) ou version B,C,D,E
(option inversée)



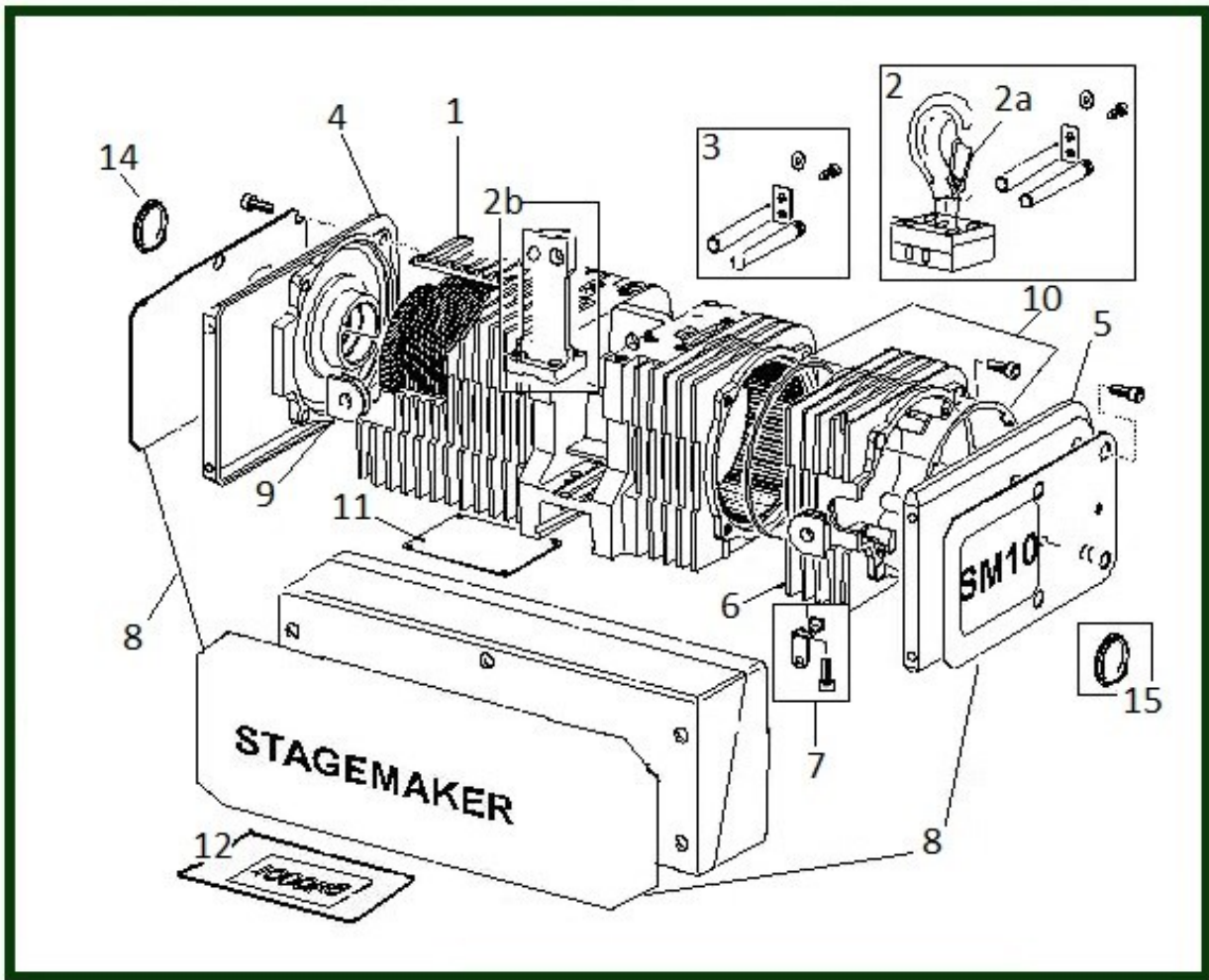
Inverted : Version A (std) or Version B,C,D,E
(inverted option)

Version normale : Version B,C,D,E (std) ou Version
A (option)



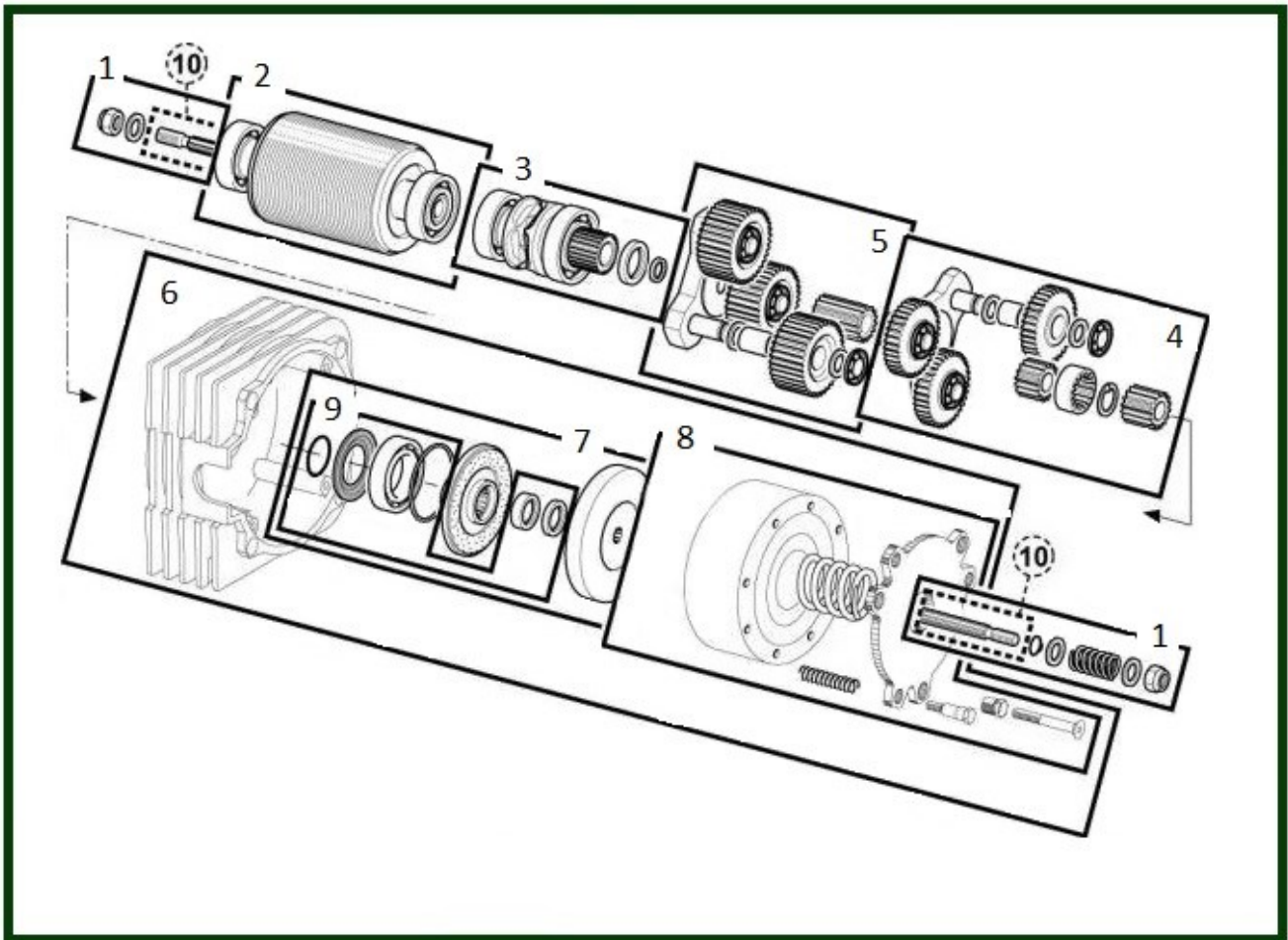
Normal : Version B,C,D,E (Std) or Version A
(option)

1. HOISTING MOTOR AND CASING



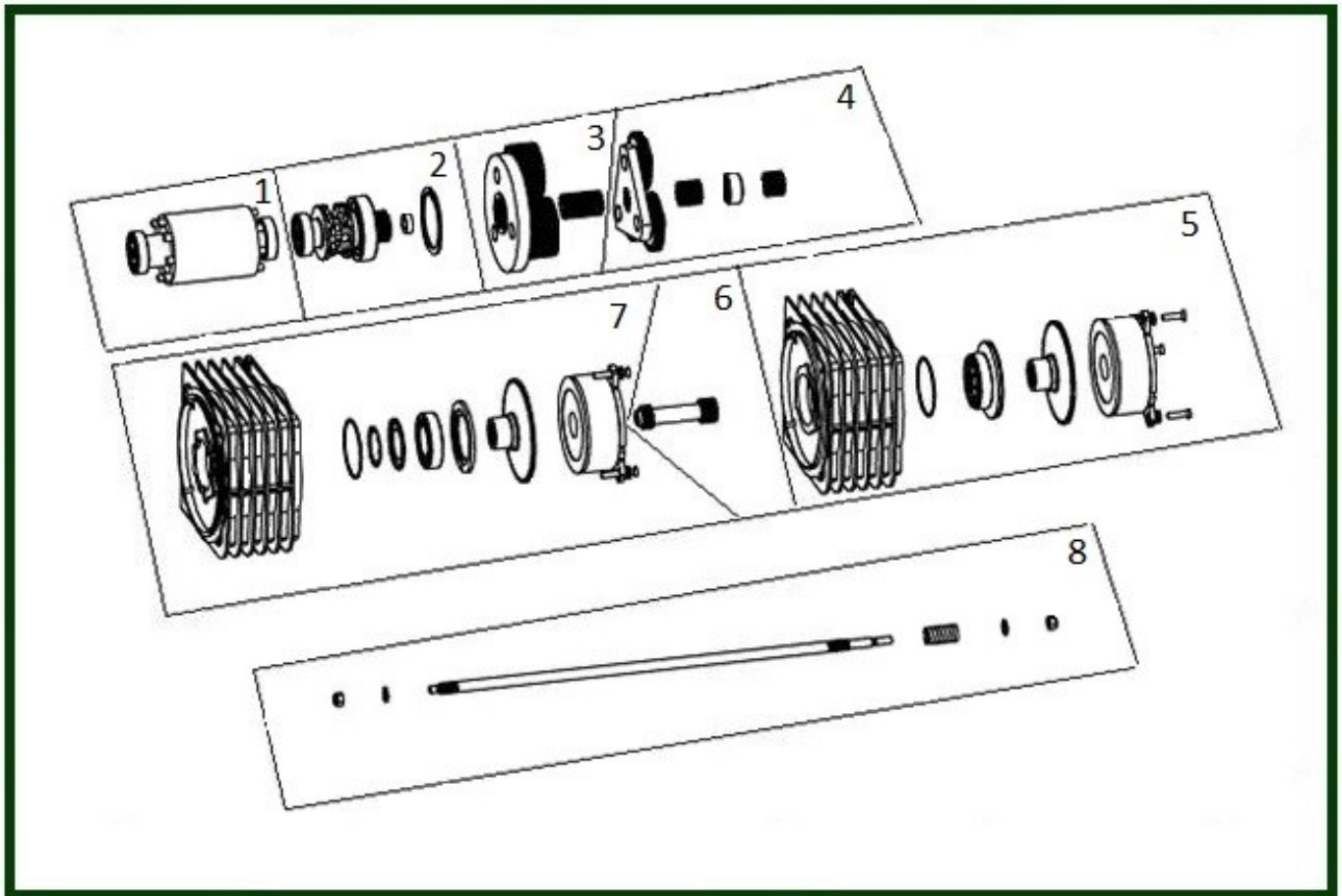
Item	Reference	Description	Observation	Quantity
1	<u>2249974</u>	Complete housing with gear rim and stator 230V 50Hz	1 speed - 4 P	1
1	<u>2249967</u>	Complete housing with gear rim and stator 230V 50Hz	2 speeds - 2&8 P	1
1	<u>2249969</u>	Complete housing with gear rim and stator 230V 60Hz	2 speeds - 2&8 P	1
1	<u>2249973</u>	Complete housing with gear rim and stator 400V 50Hz-460V 60Hz	1 speed - 4 P	1
1	<u>2249966</u>	Complete housing with gear rim and stator 400V 50Hz-460V 60Hz	2 speeds - 2&8 P	1
1	<u>2249968</u>	Complete housing with gear rim and stator 400V 60Hz	2 speeds - 2&8 P	1
1	<u>2249975</u>	Complete housing with gear rim and stator 500V 50Hz-575V 60Hz	1 speed - 4 P	1
1	<u>2249970</u>	Complete housing with gear rim and stator 500V 50Hz-575V 60Hz	2 speeds - 2&8 P	1
2	<u>52316240</u>	Rotating lower hook assembly set	Type A or Cas 1 (B-C-D-E)	1
2a	<u>2242017</u>	Safety latch - Steel plate	Suspension hook assembly / Hook block assembly	1
2b	<u>2242011</u>	Suspension member		1
3	<u>2247020</u>	Hook suspension axles set		1
4	<u>2249904</u>	Motor end cap assembly	Only for B-C-D version	1
4	<u>52293407</u>	Short flange - Motor side	Only for A & E type hoist (direct voltage)	1
5	<u>2249903</u>	Brake end cap assembly		1
5	<u>52293408</u>	Short flange - Brake side	Only for A & E type hoist (direct voltage)	1
6	<u>2240011</u>	Brake cap assembly		1
7	<u>2218000</u>	Button box fastening bracket		1
8	<u>2246047</u>	SM10 Stickers		1
9	<u>2218004</u>	Cable guide		1
10	<u>2240013</u>	Sealing ring and O-ring for brake cap		1
11	<u>2216520</u>	Motor identification plate	Only if serial number provided	1
12	<u>2219929</u>	Set of 10 load plates	1250 Kg	1
12	<u>2219921</u>	Set of 10 load plates	630 kg	1
12	<u>2219920</u>	Set of 10 load plates	500 kg	1
12	<u>2219923</u>	Set of 10 load plates	1600 kg	1
12	<u>2219922</u>	Set of 10 load plates	1000 kg	1
12	<u>2219924</u>	Set of 10 load plates	2000 kg	1
14	<u>2218001</u>	Cap - Motor side		1
15	<u>52283279</u>	Cap - brake side		1
-	<u>52334563</u>	Canvas rain cover		1
-	<u>2257018</u>	Set of 2 handles		1

2. MECHANISM AND BRAKE



Item	Reference	Description	Observation	Quantity
1	2249940	Limiter spring with motor shaft		
2	2245025	Rotor assembly	1 & 2 speeds	1
3	2249941	Chain sprocket assembly		1
4	2249938	Planetary gear train - 2nd step	8 m/min	1
4	2249951	Planetary gear train - 2nd step	16 m/min	1
5	2249937	Planetary gear train - 1st step		1
6	2241073	Complete brake assembly with brake cap	100VDC 230VAC	1
6	2241074	Complete brake assembly with brake cap	190VDC 400VAC	1
6	2241072	Complete brake assembly with brake cap	230VDC 500V 575VAC	1
7	2249972	Limiter friction assembly		1
8	2248000	Complete brake	100VDC 230VAC	1
8	2248001	Complete brake	190VDC 400VAC	1
8	2248003	Complete brake	230VDC 500V 575VAC	1
9	2240012	Set of seals for brake cap		1
10	2241501	Three motor		1

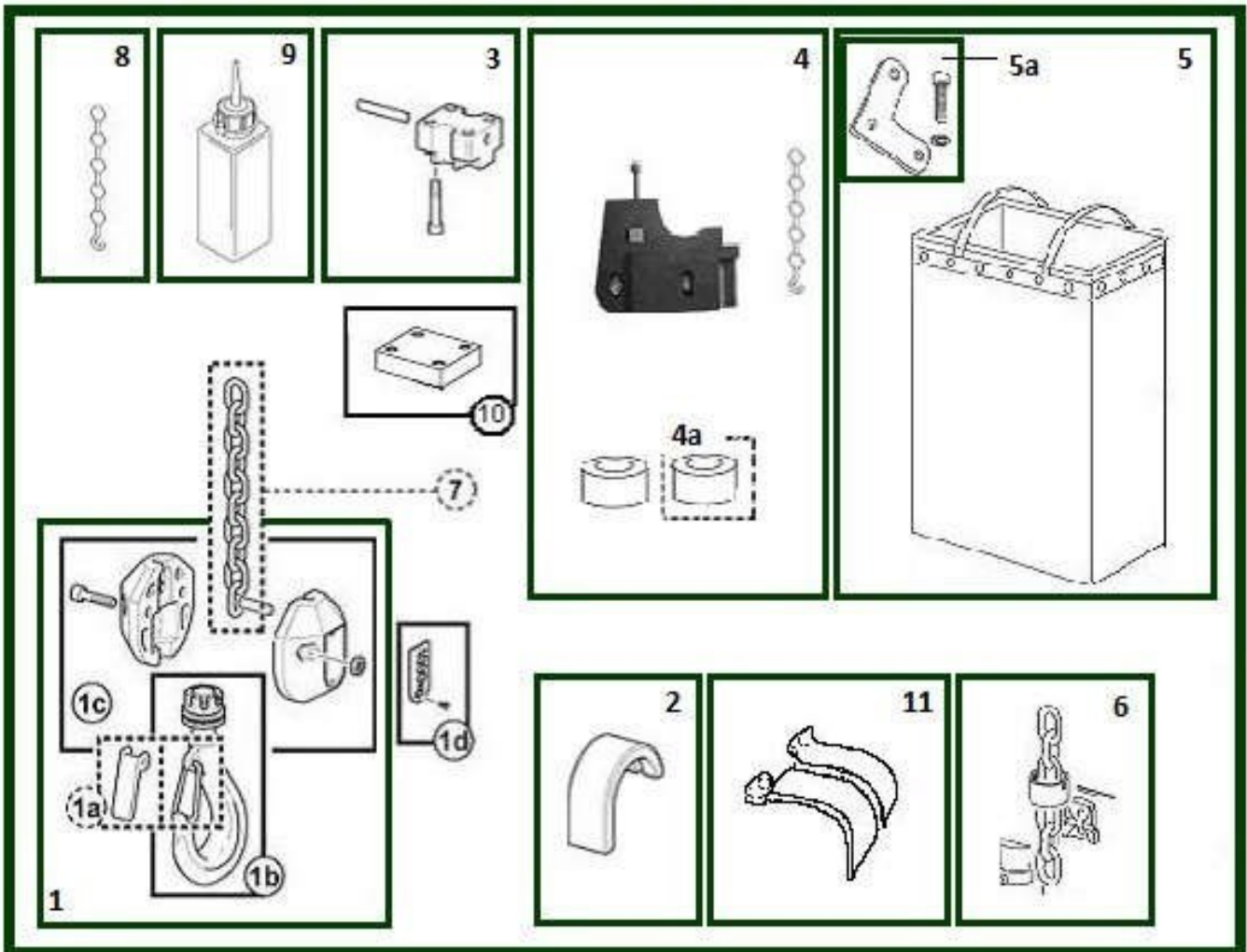
2.1 Double break specific parts



Item	Reference	Description	Observation	Quantity
1	2245025	Rotor assembly	1 & 2 speeds	1
2	2249941	Chain sprocket assembly		1
3	2249938	Planetary gear train - 2nd step	8 m/min	1
3	2249951	Planetary gear train - 2nd step	16 m/min	1
4	2249937	Planetary gear train - 1st step		1
5	2249016	1st Brake housing + brake	230VAC/100VDC	1
5	2249006	1st Brake housing + brake	400VAC/190VDC	1
6	2249054	Pinion		1
7	2249017	2nd Brake housing + brake	230VAC/100VDC	1
7	2249007	2nd Brake housing + brake	400VAC/190VDC	1
8	2249051	Motor shaft		1

3. LIFTING ASSEMBLY

Version A

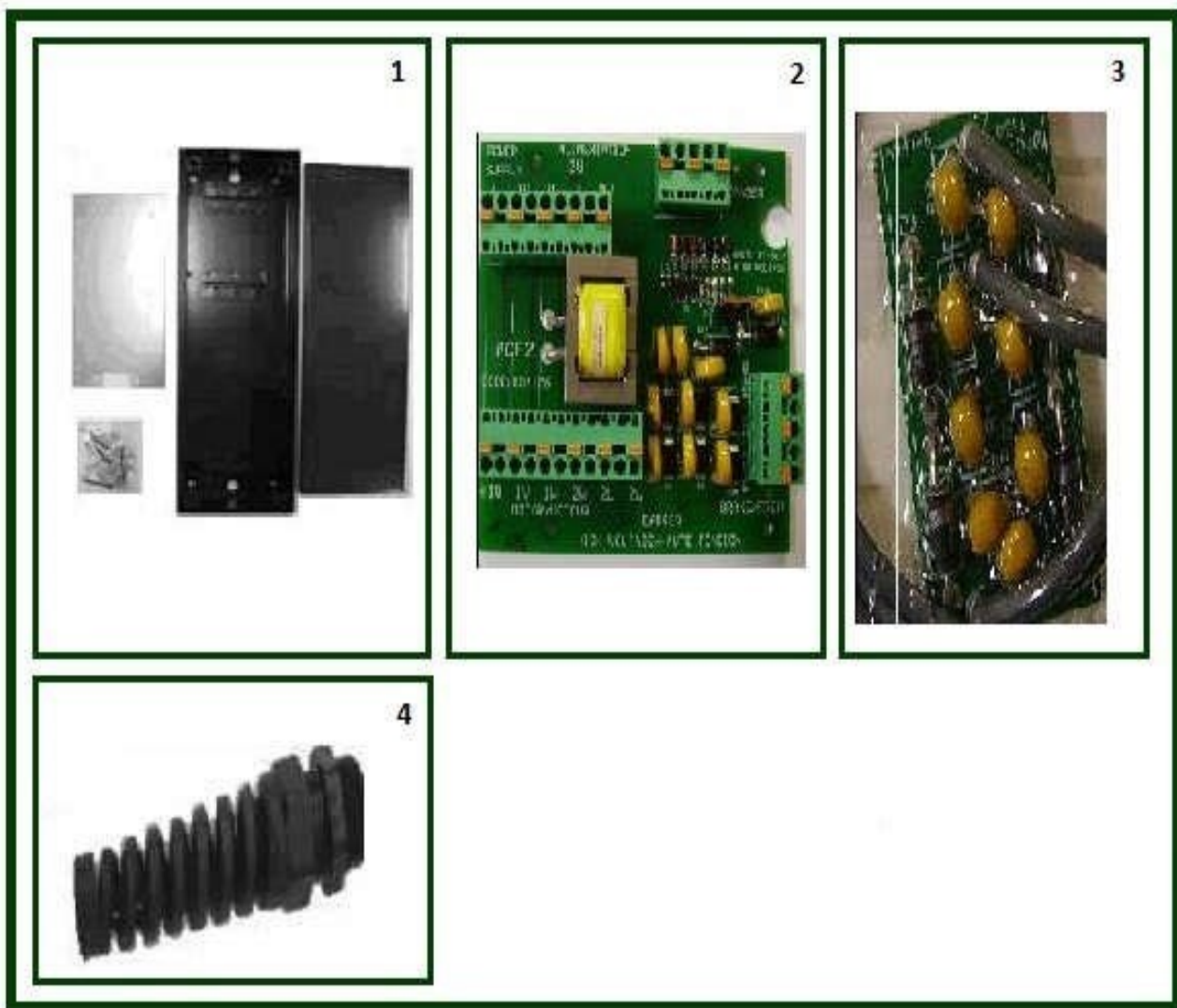


Item	Reference	Description	Observation	Quantity
1	<u>52293146</u>	Hook block	1 fall	1
1	<u>52293148</u>	Hook block	2 falls	1
1a	<u>2212017</u>	Safety latch - Steel plate type – 025T	SM5 : 2 falls – SM10 : 1 fall Since 2000	1
1b	<u>2217004</u>	Lifting hook - Standard type	SM5 : 2 falls – SM10 : 1 fall	1
1c	<u>52319867</u>	Set of 2 half-casings with axle and screws	1 fall	1
1c	<u>52319868</u>	Set of 2 half-casings with axle and screws	2 falls	1
1d	<u>2249995</u>	Set of 10 load plates	500 Kg	1
1d	<u>2219939</u>	Set of 10 load plates	630 Kg	1
1d	<u>2219914</u>	Set of 10 load plates	1 000 Kg	1
2	<u>2244011</u>	Upper chain guide	Chain 6.8x17.8	1
3	<u>2243523</u>	Chain anchor assembly	2 falls	1
4	<u>52425117</u>	Aluminium chain guide set	SM10 - LHT	1
4a	<u>52313011</u>	Rubber buffer		3
5	<u>52311223</u>	Chain bag - 40 m	With carabiner version A	1
5	<u>52328054</u>	Chain bag - 50 m	With carabiner version A or Cas 1 (B-C-D-E)	1
5b	<u>2247019</u>	Fixing plate set		1
6	<u>2249942</u>	Slack fall stop assembly		1
7	<u>52322934</u>	Black chain 6.8x17.8	Standard	1
8	<u>2241045</u>	Load chain mounting tool		1
9	<u>9995008</u>	Oil can	125 ml	1
10	<u>2243522</u>	Anchor point for hoist	Only to modify the hoist 2/1	1
11	<u>52309591</u>	External chain guide		1

3.1 Precut chain

Item	Reference	Description	Observation	Quantity
	<u>53019908</u>	Black load chain - 6.8x17.8	20 meters	1
	<u>53019909</u>	Black load chain - 6.8x17.8	24 meters	1
	<u>53019912</u>	Black load chain - 6.8x17.8	100 meters	1

4. ELECTRIC CUBICLE FOR A VERSION



Item	Reference	Description	Observation	Quantity
1	52353908	Double brake electric cubicle		1
1	2243010	Electric cubicle (lid, cover, and screws) metal		1
1	52292683	SM10 thin metal electrical cubicle	Only for A type hoist (direct voltage)	1
2	834176	DC PC board	Only for A type hoist (direct voltage)	1
3	2243060	Rectifier 230V/400V/460V/500V/575V	Standard hoist or stagemaker E type hoist (direct voltage)	1
4	52283994	Spiral cable gland		1
-	52293328	Filter for encoder bearing		1
-	52292671	Red power supply plug 3P+ E	For A type hoist	1