

Spare parts catalog for "SR02"

To avoid errors, when ordering please specify:

- Complete type of hoist
- Date of manufacture and serial number
- Spare part code
- Spare part designation
- Additional information



1) FRAME

- 1.1) Rotary hook
- 1.2) Fixed hook

2) CHAIN GUIDE 4*11 + HOOK

- 2.1) Inverted version
- 2.2) Industrial version

3) GEAR

- 3.1) 4-8 m / min - Standard limit switch
- 3.2) 4-8 m / min - Geared limit switch
- 3.3) 16 m / min - Standard limit switch
- 3.4) 16 m / min - Geared limit switch

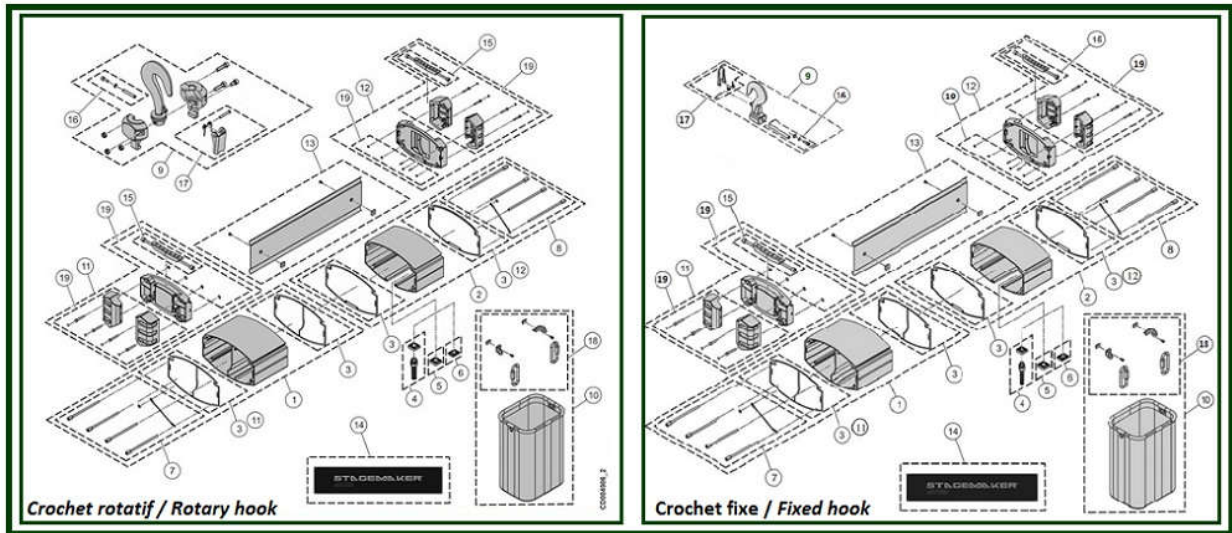
4) MOTOR

- 4.1) Single brake
- 4.2) Double brakes

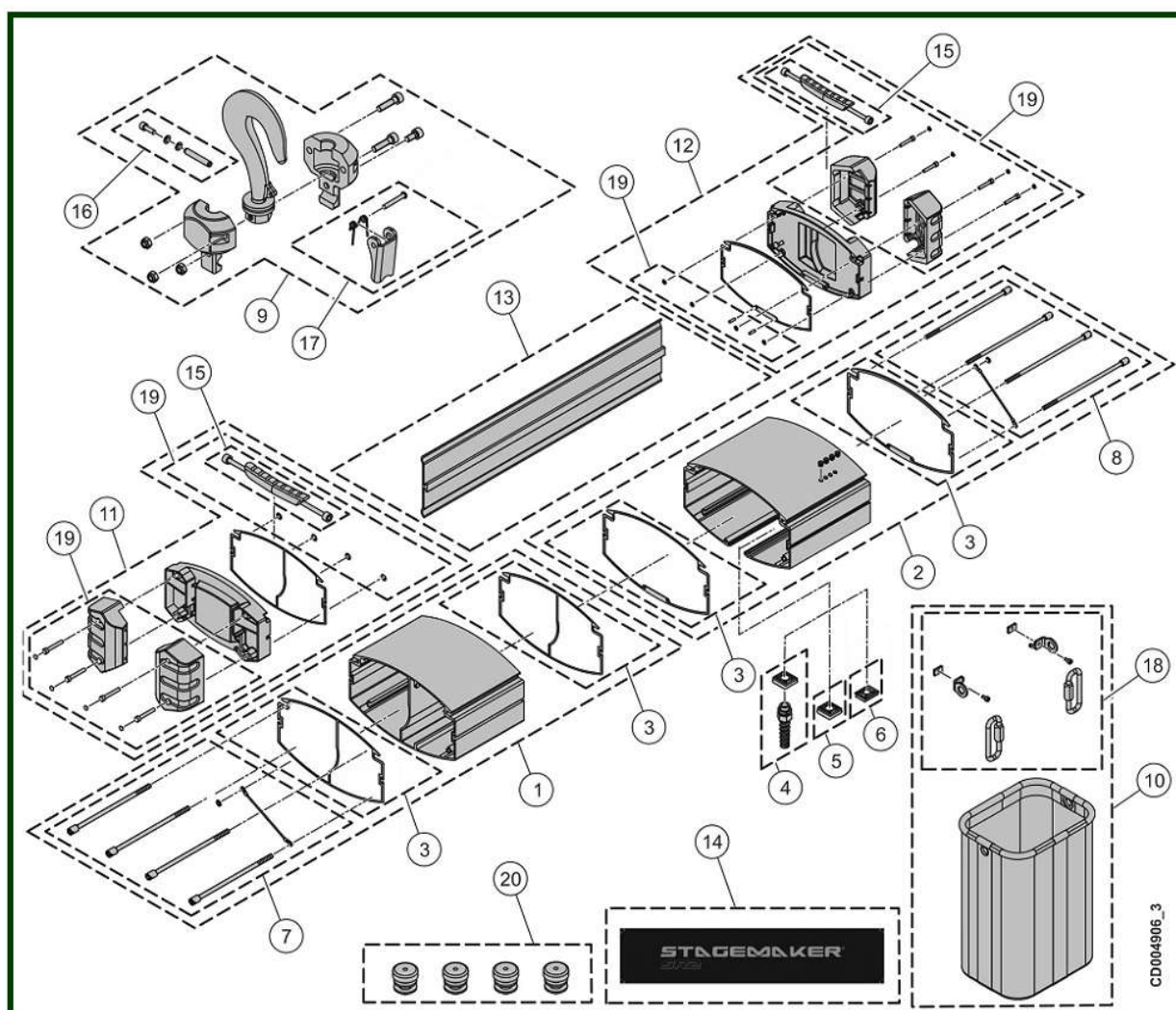
5) ELECTRICALS PARTS

- 5.1) Version A
- 5.2) Version B

1) Frame



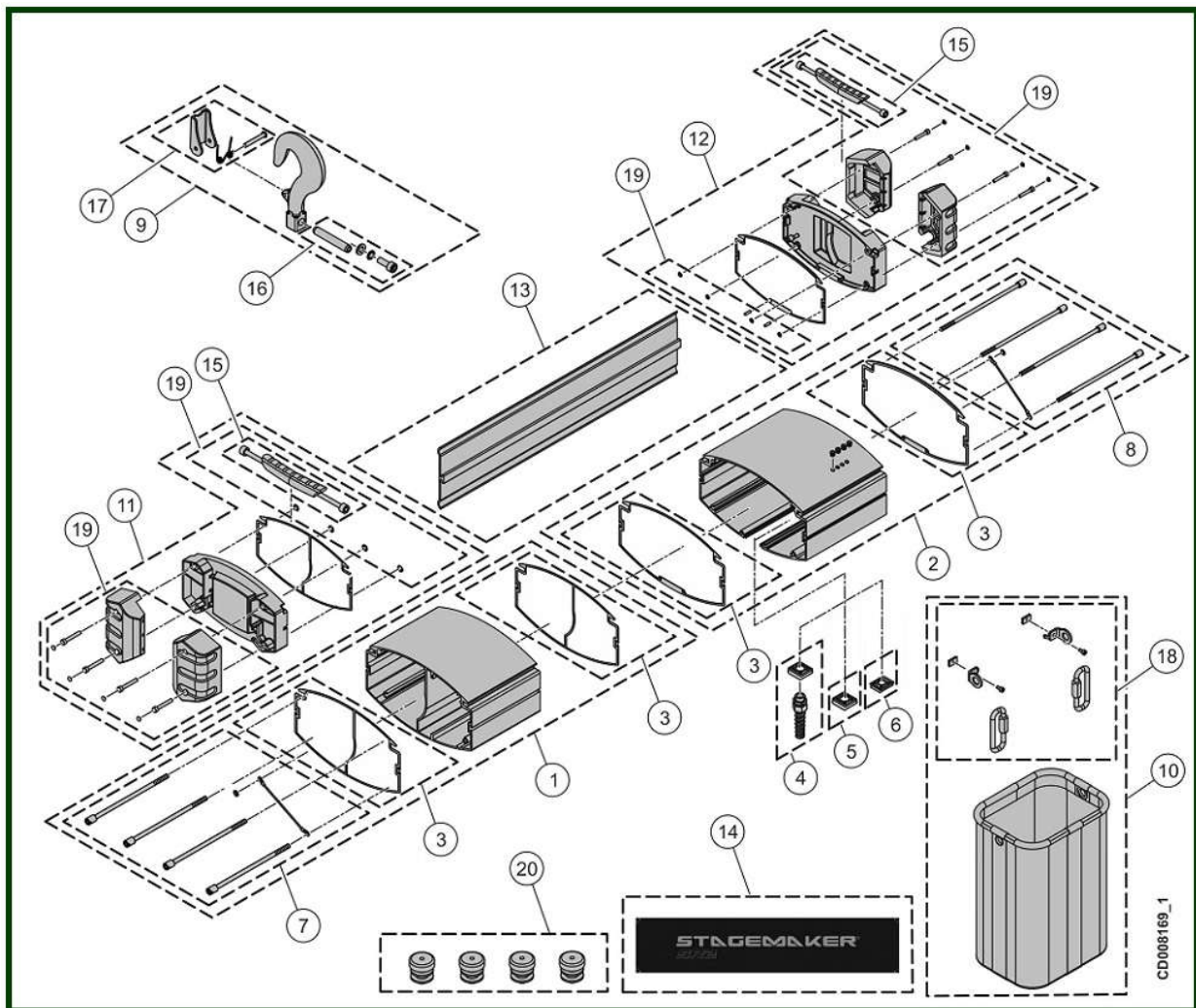
1.1) Rotary hook



item	reference	description	observation	Quantity
1	VT0004868	Frame - Motor side	Simple frein / Single brake	1
2	VT0006975	Frame - Brake side	Double freins + Fin de Course 2 ou 4 cames Double brakes + Gear Limit Switch 2 or 4 cames	1
2	VT0006974	Frame - Brake side	Simple frein + Fin de Course 2 ou 4 cames >br/> Single brake + Gear Limit Switch 2 or 4 cames	1
3	VT0004542	Sealings set		1
4	VT0007033	Cable gland set with square cable entry	PE ISO 25	1
5	VT0006383	End cap with square cable entry	ISO 25	1
6	VT0006384	End cap + Long set		1
7	VT0006279	Screws set		1
8	VT0006278	Screw set M6L127 - Brake side	Simple frein + Fin de Course 2 cames Single brake + Gear Limit Switch 2 cames	1
8	VT0006912	Screw set M6L180 - Brake side	Simple frein / Single brake	1
9	VT0006027	Rotary hook		1
10	VT0004544	Chain bucket	6 m	1
10	VT0006284	Chain bucket	16 m	1
10	VT0006667	Chain bucket	35 m	1
10	VT0005990	Chain bucket	40 m - SR2	1
11	VT0006182	Cover set - Motor side		1
12	VT0006183	Cover set - Brake side		1
13	VT0006994	Housing	Double freins / Double brakes	1
13	VT0006993	Housing	Simple frein / Single brake	1
14	VT0006039	Sticker - Brand	Double freins / Double brakes	1
14	VT0005994	Sticker - Brand	Simple frein / Single brake	1

15	<u>VT0006030</u>	Set of 2 rubber handles	Simple frein / Single brake - Double freins / Double brakes	1
16	<u>VT0004539</u>	Shaft set		1
17	<u>VT0005901</u>	Safety latch	Crochet standard / Standard hook	1
18	<u>VT0004547</u>	Fixing set - Chain bucket	6 m - 16 m - 35 m	1
18	<u>VT0006028</u>	Fixing set - Chain bucket	40 m	1
19	<u>VT0006029</u>	1 handle + protection set		1
20	<u>VT0006090</u>	Set of plug (x4)		1
-	<u>VT0006026</u>	Identification plate		1
-	<u>VT0006995</u>	Rain cover		1

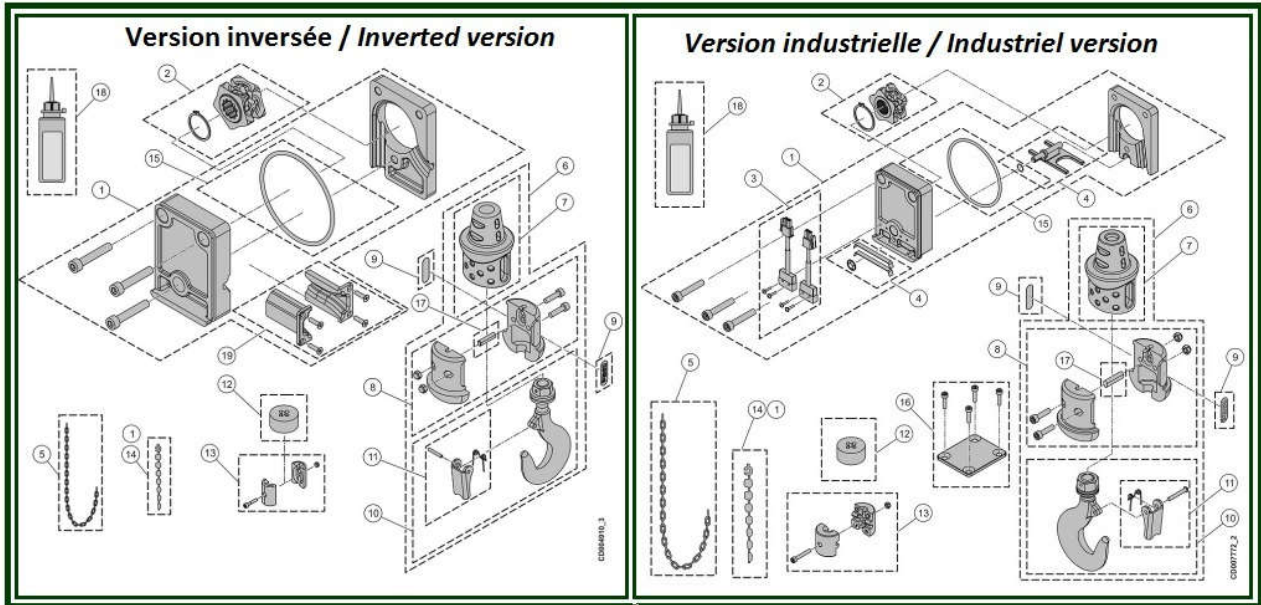
1.2) Fixed hook



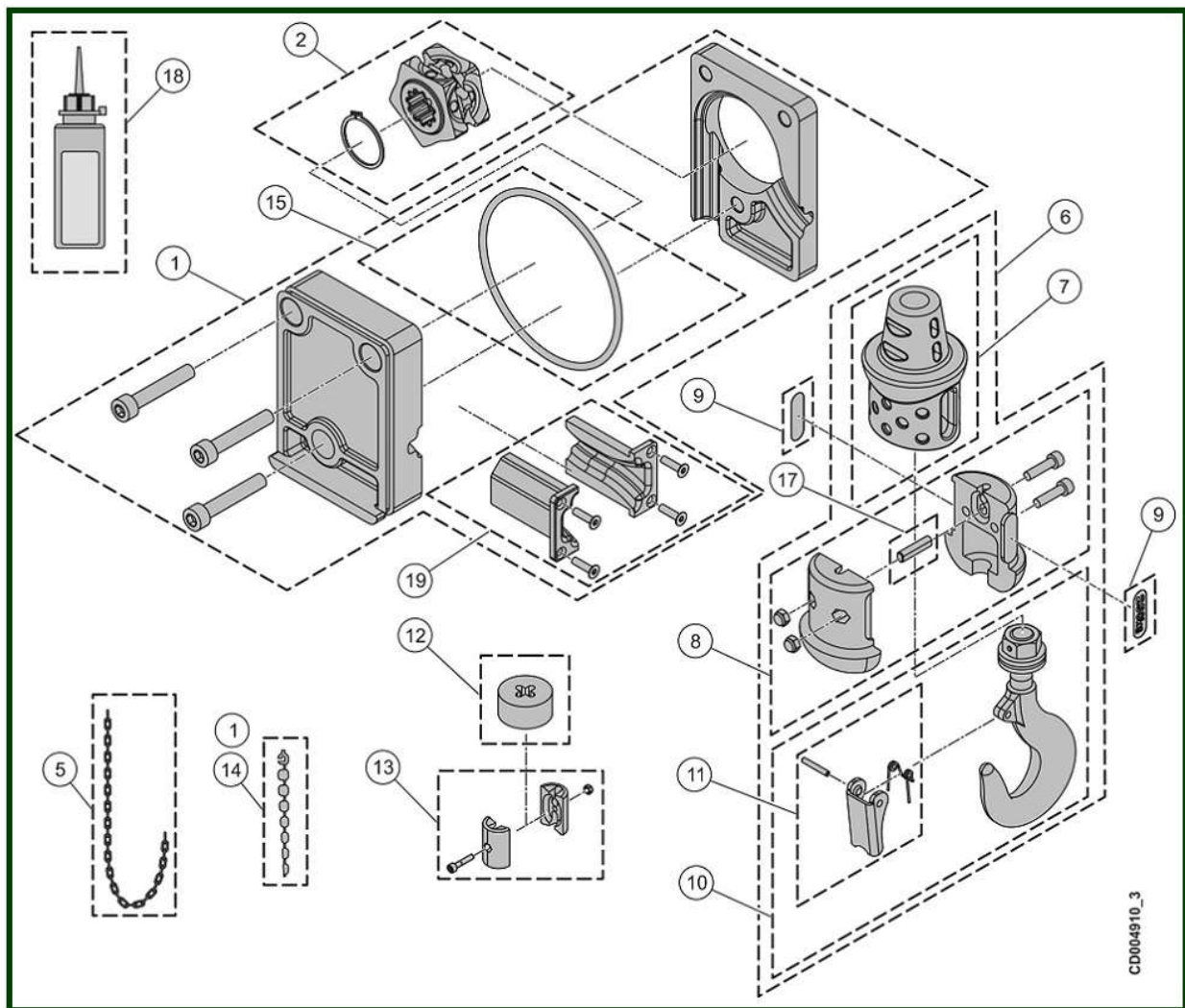
item	reference	description	observation	Quantity
1	VT0004868	Frame - Motor side	Simple frein / Single brake	1
2	VT0006975	Frame - Brake side	Double freins + Fin de Course 2 ou 4 cames Double brakes + Gear Limit Switch 2 or 4 cames	1
2	VT0006974	Frame - Brake side	Simple frein + Fin de Course 2 ou 4 cames Single brake + Gear Limit Switch 2 or 4 cames	1
3	VT0004542	Sealings set		1
4	VT0007033	Cable gland set with square cable entry	PE ISO 25	1
5	VT0006383	End cap with square cable entry	ISO 25	1
6	VT0006384	End cap + Long set		1
7	VT0006279	Screws set		1
8	VT0006278	Screw set M6L127 - Brake side	Simple frein + Fin de Course 2 cames Single brake + Gear Limit Switch 2 cames	1
8	VT0006912	Screw set M6L180 - Brake side	Simple frein / Single brake	1
9	VT0004925	Suspension hook		1
10	VT0004544	Chain bucket	6 m	1
10	VT0006284	Chain bucket	16 m	1
10	VT0006667	Chain bucket	35 m	1
10	VT0005990	Chain bucket	40 m - SR2	1
11	VT0006182	Cover set - Motor side		1
12	VT0006183	Cover set - Brake side		1
13	VT0006994	Housing	Double freins / Double brakes	1
13	VT0006993	Housing	Simple frein / Single brake	1
14	VT0006039	Sticker - Brand	Double freins / Double brakes	1
14	VT0005994	Sticker - Brand	Simple frein / Single brake	1

15	<u>VT0006030</u>	Set of 2 rubber handles	Simple frein / Single brake - Double freins / Double brakes	1
16	<u>VT0004539</u>	Shaft set		1
17	<u>VT0004905</u>	Safety latch		1
18	<u>VT0004547</u>	Fixing set - Chain bucket	6 m - 16 m - 35 m	1
18	<u>VT0006028</u>	Fixing set - Chain bucket	40 m	1
19	<u>VT0006029</u>	1 handle + protection set		1
20	<u>VT0006090</u>	Set of plug (x4)		1
-	<u>VT0006026</u>	Identification plate		1
-	<u>VT0006995</u>	Rain cover		1

2) Chain guide 4*11 + Hook

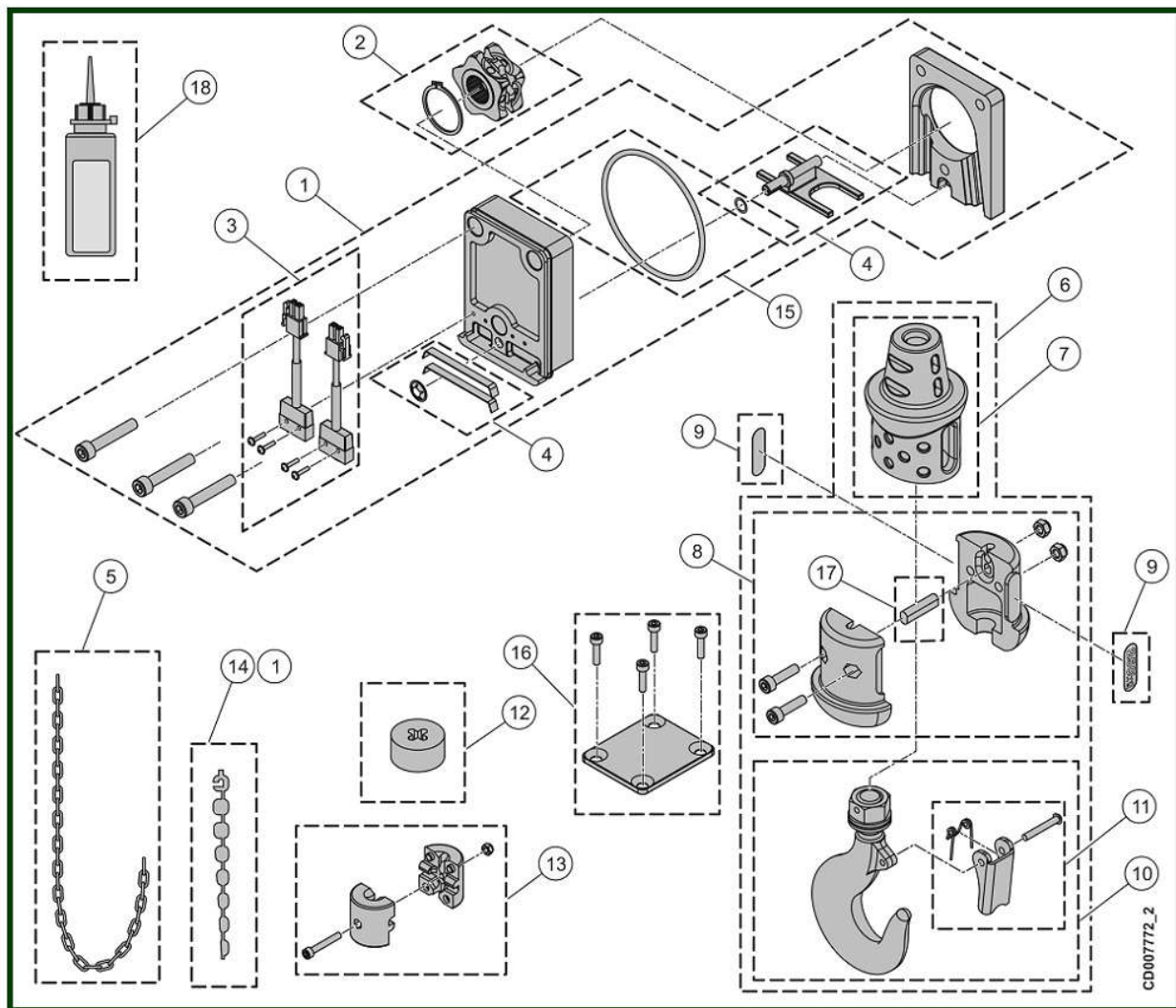


2.1) Inverted version



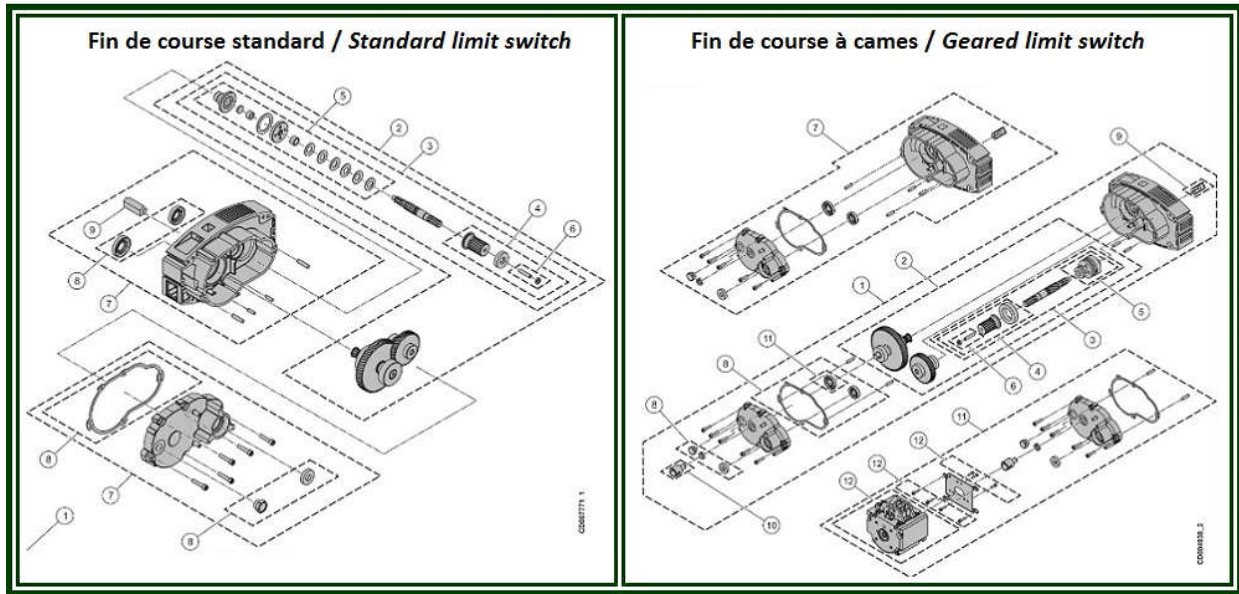
item	reference	description	observation	Quantity
1	VT0006092	Chain guide - Chain 4*11	Version inversée / Inverted version	1
2	VT0004540	Chain sprocket set		1
5	VT0005997	Black chain	4x11	1
6	VT0005996	Complete hook block		1
7	VT0004930	Rubber chain stop		1
8	VT0006094	Hook component		1
9	VT0006031	Set of 10 load plates - Hoist	250 kg - 4 m/min	1
10	VT0005998	Hook assembly		1
11	VT0005901	Safety latch	Crochet standard / Standard hook	1
12	VT0008352	Rubber chain stop		1
13	VT0004878	Chain stop		1
14	VT0005573	Chain fitting tool	CHCM-011	1
15	VT0006095	Sealings set		1
17	VT0006093	Pin		1
18	VT0006025	Oil can		1
19	VT0008560	External chain guide		1

2.2) Industrial version

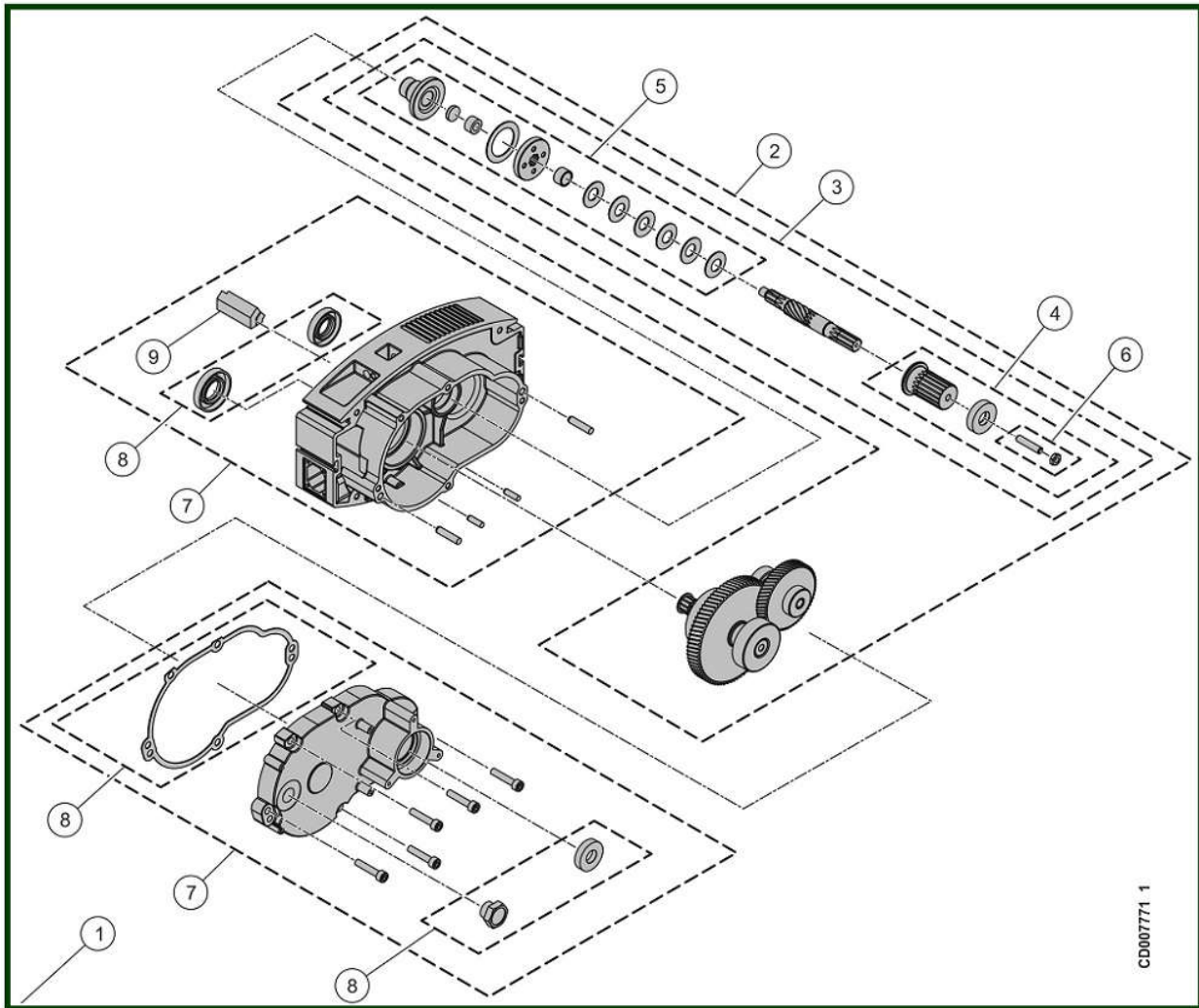


item	reference	description	observation	Quantity
1	VT0004723	Chain guide - Chain 4x11		1
2	VT0004540	Chain sprocket set		1
3	VT0004724	Switch set		1
4	VT0004541	Limit switch activator set		1
5	VT0005997	Black chain	4x11	1
6	VT0005996	Complete hook block		1
7	VT0004930	Rubber chain stop		1
8	VT0006094	Hook component		1
9	VT0006031	Set of 10 load plates - Hoist	250 kg - 4 m/min	1
10	VT0005998	Hook assembly		1
11	VT0005901	Safety latch	Crochet standard / Standard hook	1
12	VT0008352	Rubber chain stop		1
13	VT0004878	Chain stop		1
14	VT0005573	Chain fitting tool	CHCM-011	1
15	VT0006096	Sealing		1
16	VT0005087	Cap assembly		1
17	VT0006093	Pin		1
18	VT0006025	Oil can		1

3) Gear



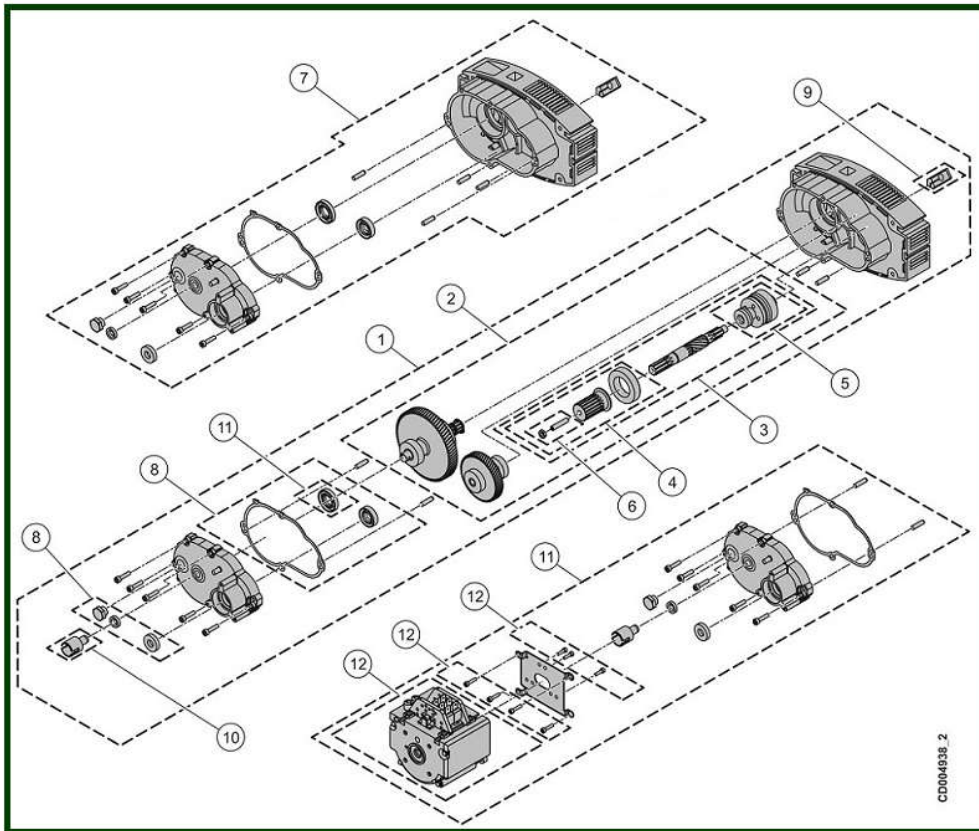
3.1) 4-8 m / min - Standard limit switch



CD000771 1

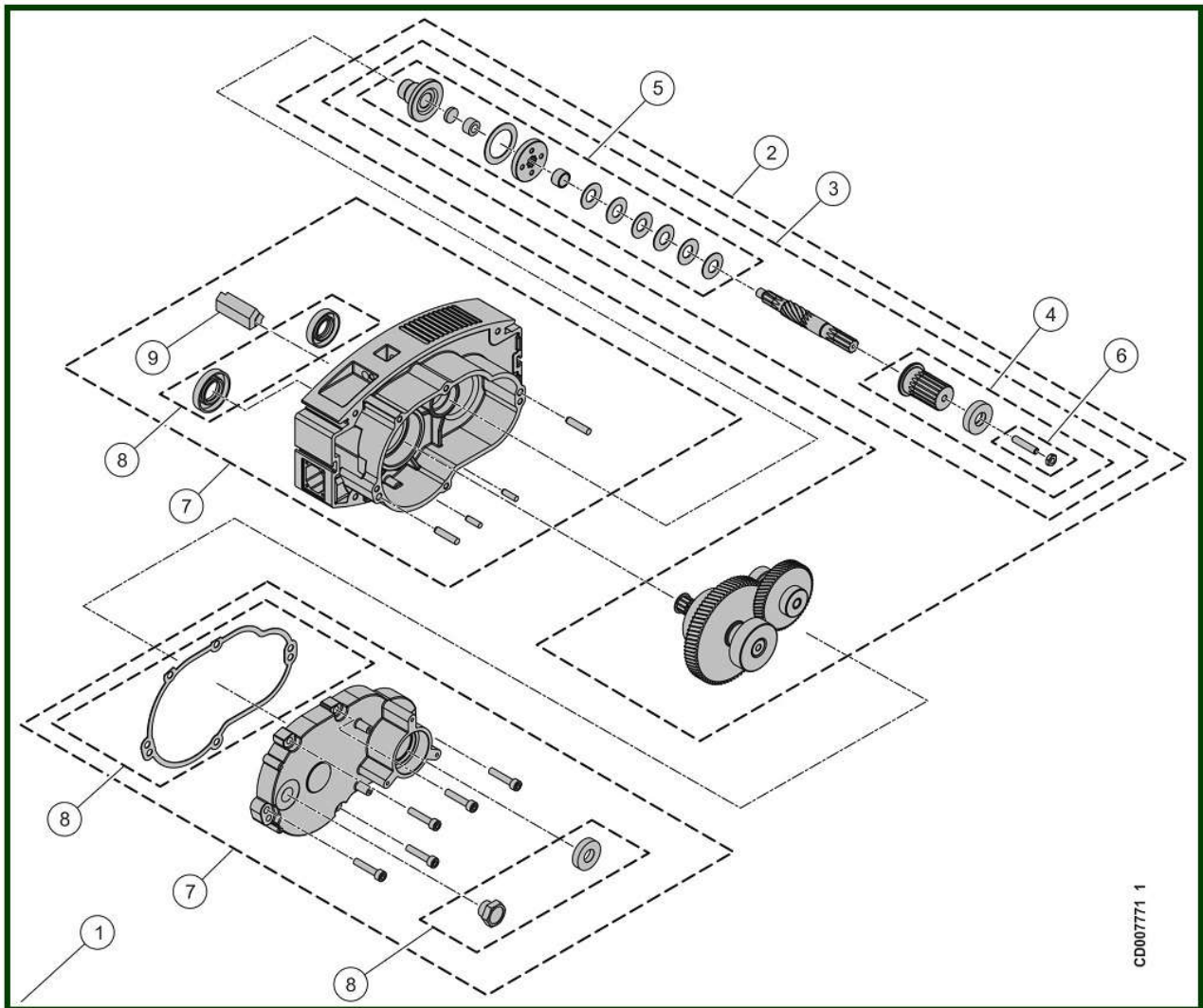
item	reference	description	observation	Quantity
1	VT0006988	Gear assembly Superior to 63 Kg	4m/8m/min	1
1	VT0007588	Gear assembly Superior to 63 Kg	4m/8m/min	1
2	VT0006286	Gear / Pinion set Superior to 63 kg	4m/8m/min	1
2	VT0006978	Gear pinion set - 8m/min	Double freins / Double brakes - Standard	1
3	VT0004727	Gear shaft with clutch Superior to 63 kg	Simple frein / Single brake	1
3	VT0006108	Load limiter	Double freins / Double brakes	1
4	VT0004548	Coupling - Brake side	Simple frein / Single brake	1
4	VT0006109	Coupling - Side brake	Double freins / Double brakes	1
5	VT0004939	Clutch Superior to 63 kg		1
6	VT0006107	Screws set		1
7	VT0004940	Frame	Standard	1
8	VT0004844	Sealings set	Standard	1
9	VT0004650	Rubber		1

3.2) 4-8 m / min - Geared limit switch



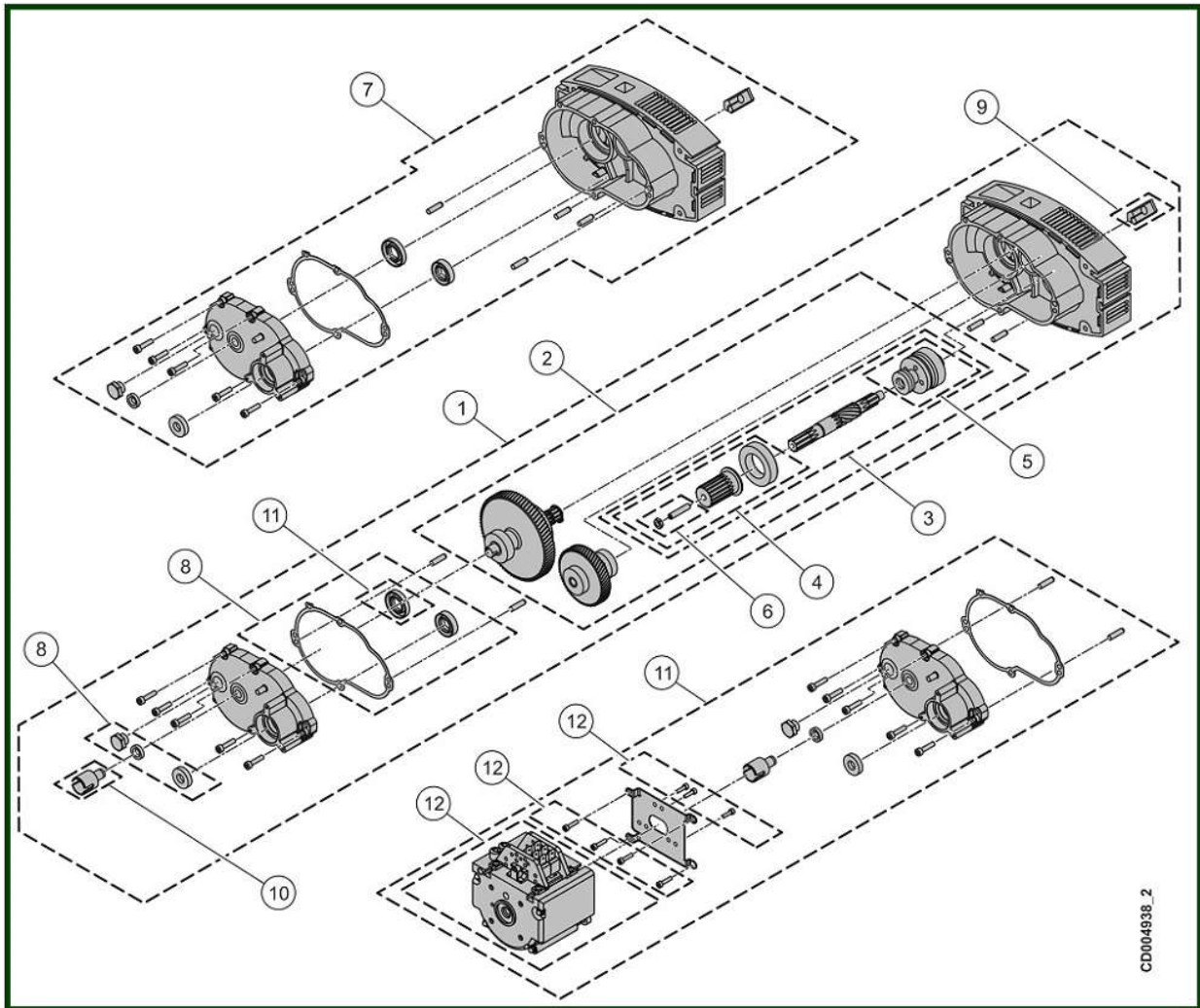
item	reference	description	observation	Quantity
1	VT0006985	Gear assembly - 4-8 m/min	Double freins / Double brakes - GLS	1
1	VT0007590	Gear assembly - 4-8 m/min	Simple frein / Single brake - GLS	1
2	VT0006981	Gear pinion set - 8m/min	Double freins / Double brakes - GLS	1
2	VT0006980	Gear pinion set - 8m/min	Simple frein / Single brake - GLS	1
3	VT0004727	Gear shaft with clutch Superior to 63 kg	Simple frein / Single brake	1
3	VT0006108	Load limiter	Double freins / Double brakes	1
4	VT0004548	Coupling - Brake side	Simple frein / Single brake	1
4	VT0006109	Coupling - Side brake	Double freins / Double brakes	1
5	VT0004939	Clutch Superior to 63 kg		1
6	VT0006107	Screws set		1
7	VT0006102	Frame	GLS	1
8	VT0006115	Sealings set	GLS	1
9	VT0004650	Rubber		1
10	VT0006101	Gearwheel	GLS	1
11	VT0006112	Adaptation set - Geared limit switch 2 steps	Hauteur de levée / Lift height : 20 m	1
11	VT0006253	Adaptation set - Geared limit switch 4 steps	Hauteur de levée / Lift height : 20 m	1
12	VT0006113	Rotating limit switch with screw set - 2 steps	VR2=>20m : 1 brin VR5=>25m : 1 brin VR12=>36m : 1 brin - 18m : 2 brins VR16=>48m : 1 brin - 24m : 2 brins VR25=>56m : 1 brin - 28m : 2 brins	1
12	VT0006252	Rotating limit switch with screw set - 4 steps	VR2=>20m : 1 brin VR5=>25m : 1 brin VR12=>36m : 1 brin - 18m : 2 brins VR16=>48m : 1 brin - 24m : 2 brins VR25=>56m : 1 brin - 28m : 2 brins	1

3.3) 16 m / min - Standard limit switch



item	reference	description	observation	Quantity
1	VT0006987	Gear assembly Superior to 63 Kg	16m/min	1
1	VT0007589	Gear assembly Superior to 63 Kg	16m/min	1
2	VT0006290	Gear / Pinion set Superior to 63 kg	16m/min	1
2	VT0006979	Gear pinion set - 16 m/min	Double freins / Double brakes - Standard	1
3	VT0004727	Gear shaft with clutch Superior to 63 kg	Simple frein / Single brake	1
3	VT0006108	Load limiter	Double freins / Double brakes	1
4	VT0004548	Coupling - Brake side	Simple frein / Single brake	1
4	VT0006109	Coupling - Side brake	Double freins / Double brakes	1
5	VT0004939	Clutch Superior to 63 kg		1
6	VT0006107	Screws set		1
7	VT0004940	Frame	Standard	1
8	VT0004844	Sealings set	Standard	1
9	VT0004650	Rubber		1

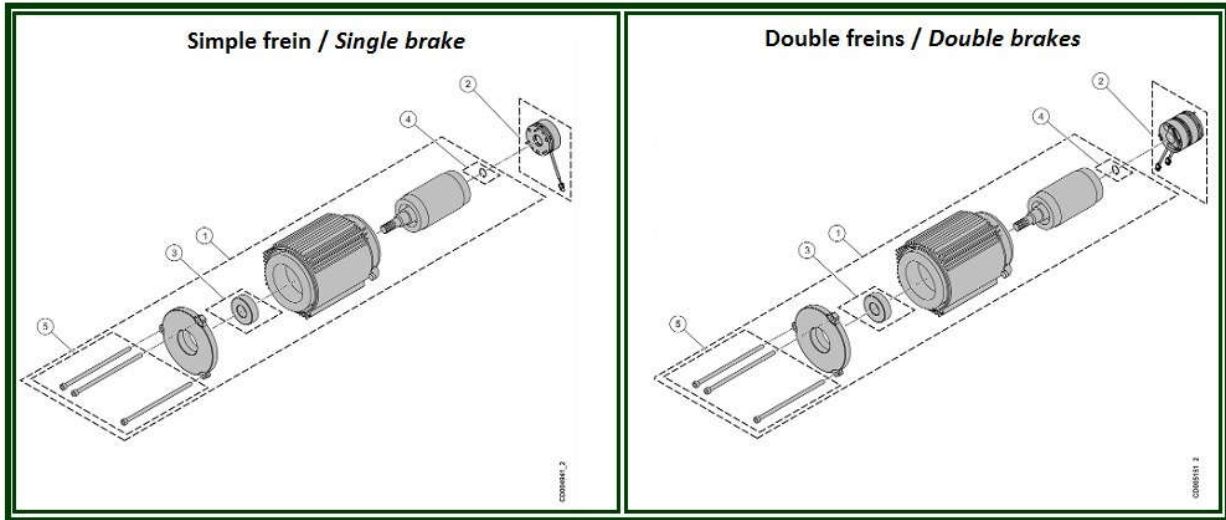
3.4) 16 m / min - Geared limit switch



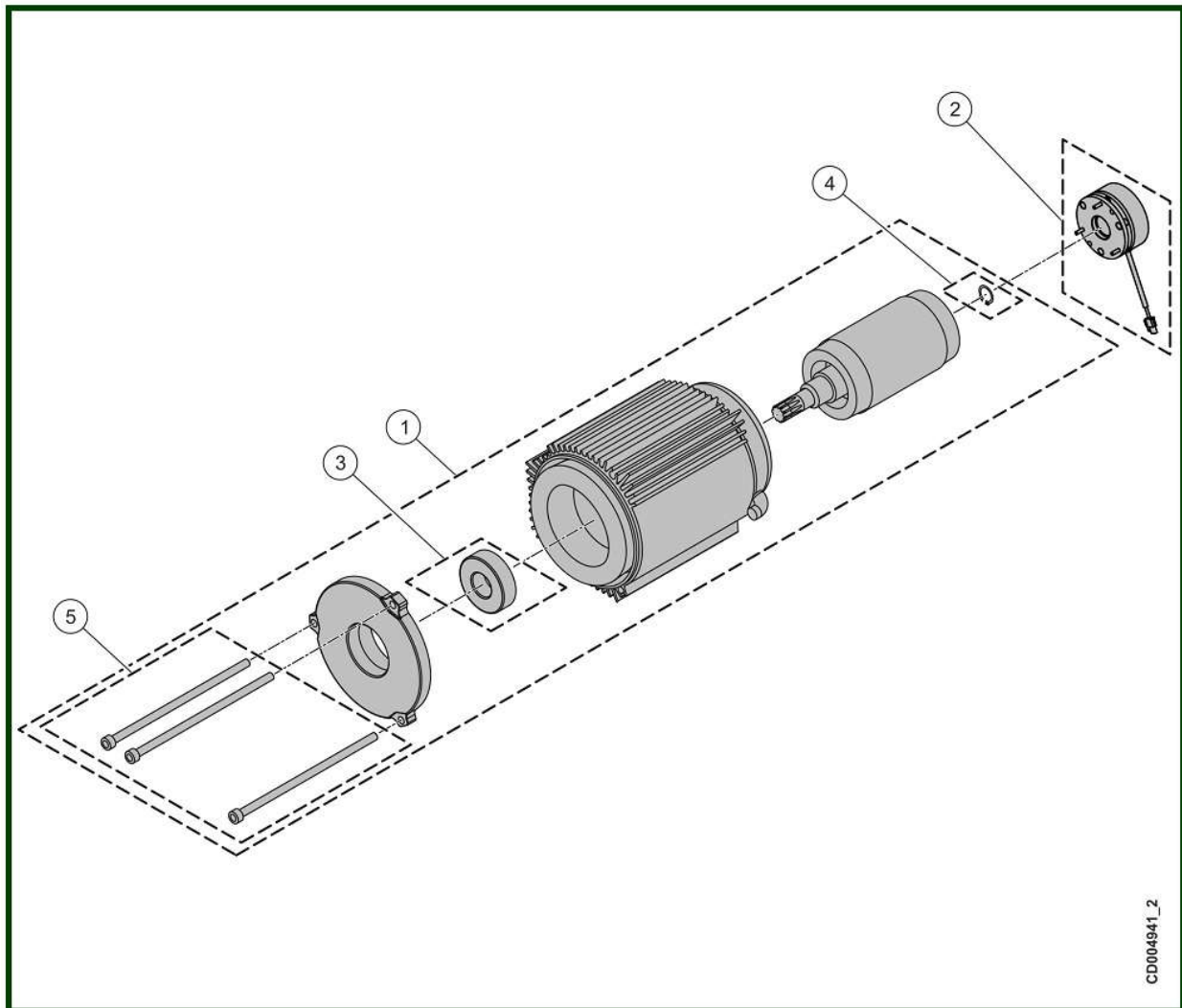
CD004938_2

item	reference	description	observation	Quantity
1	VT0006984	Gear assembly - 16 m/min	Double freins / Double brakes - GLS	1
1	VT0006986	Gear assembly - 16 m/min	Simple frein / Single brake - GLS	1
2	VT0006983	Gear pinion set - 16 m/min	Double freins / Double brakes - GLS	1
2	VT0006982	Gear pinion set - 16 m/min	Simple frein / Single brake - GLS	1
3	VT0004727	Gear shaft with clutch Superior to 63 kg	Simple frein / Single brake	1
3	VT0006108	Load limiter	Double freins / Double brakes	1
4	VT0004548	Coupling - Brake side	Simple frein / Single brake	1
4	VT0006109	Coupling - Side brake	Double freins / Double brakes	1
5	VT0004939	Clutch Superior to 63 kg		1
6	VT0006107	Screws set		1
7	VT0006102	Frame	GLS	1
8	VT0006115	Sealings set	GLS	1
9	VT0004650	Rubber		1
10	VT0006101	Gearwheel	GLS	1
11	VT0006112	Adaptation set - Geared limit switch 2 steps	Hauteur de levée / Lift height : 20 m	1
11	VT0006253	Adaptation set - Geared limit switch 4 steps	Hauteur de levée / Lift height : 20 m	1
12	VT0006113	Rotating limit switch with screw set - 2 steps	VR2=>20m : 1 brin VR5=>25m : 1 brin VR12=>36m : 1 brin - 18m : 2 brins VR16=>48m : 1 brin - 24m : 2 brins VR25=>56m : 1 brin - 28m : 2 brins	1
12	VT0006252	Rotating limit switch with screw set - 4 steps	VR2=>20m : 1 brin VR5=>25m : 1 brin VR12=>36m : 1 brin - 18m : 2 brins VR16=>48m : 1 brin - 24m : 2 brins VR25=>56m : 1 brin - 28m : 2 brins	1

4) Motor



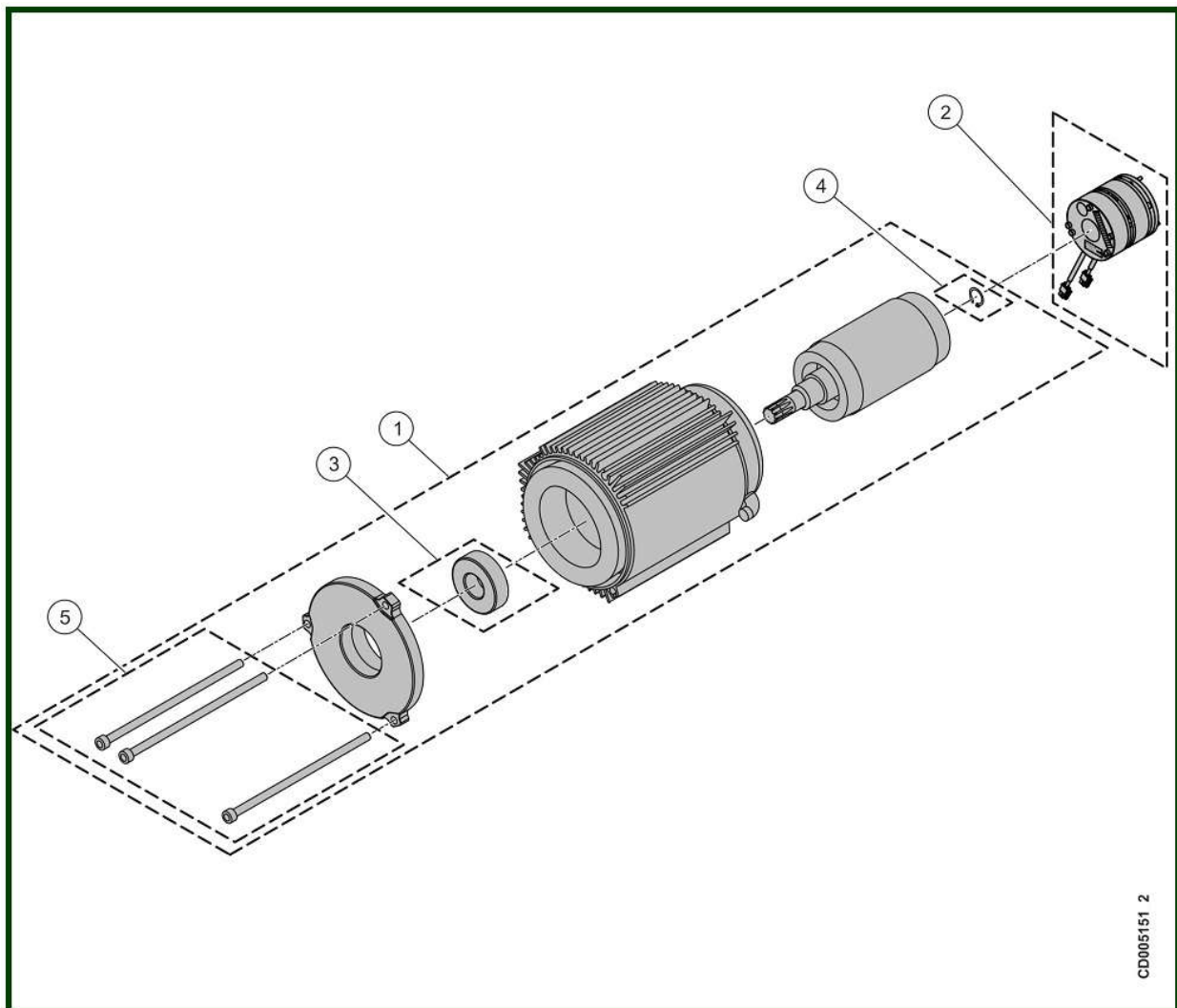
4.1) Single brake



CD004941_2

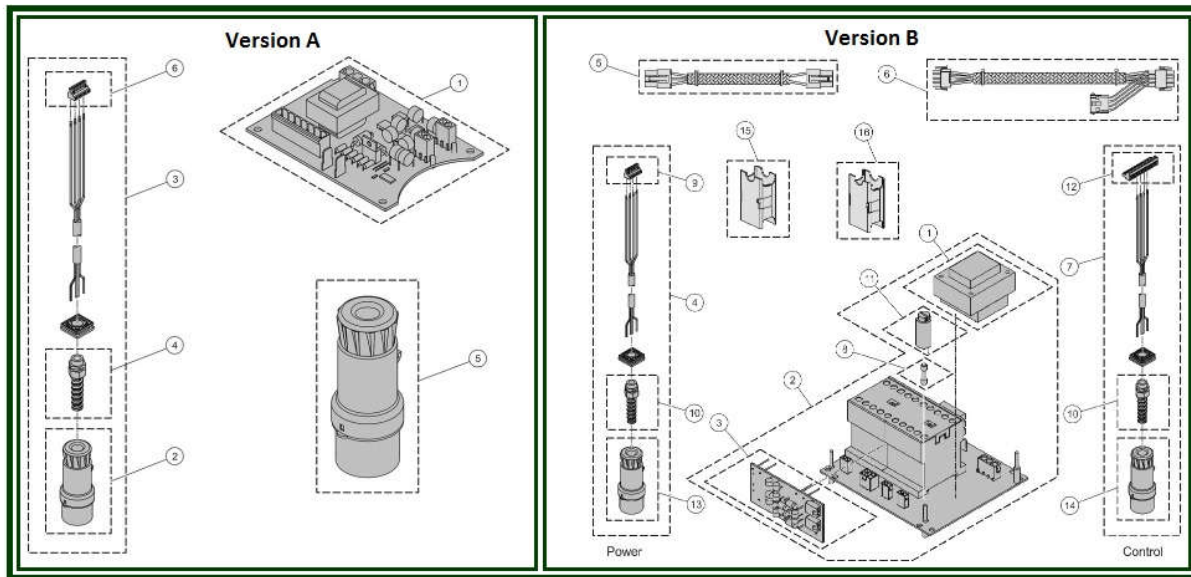
item	reference	description	observation	Quantity
1	VT0005999	Motor 1 speed 208V-230V:60Hz	1500 tours - 4 m / min	1
1	VT0006277	Motor 2 speeds 208-230V 60Hz	3000 tours - 8 m / min	1
1	VT0004654	Motor - 2 speeds 208-230V 60Hz	8-10-16-20m/min	1
1	VT0004651	Motor - 2 speeds 380-415V 50Hz (3000/750tr/min) 440-480V 60Hz (3600/900tr/min)	8-10-16-20m/min	1
2	VT0006260	Single brake	103 V	1
2	VT0004662	Single brake	190 V	1
4	VT0004663	Retaining ring		1
5	VT0005088	Screws set		1
6	VT0004665	Bearing		1

4.2) Double brakes

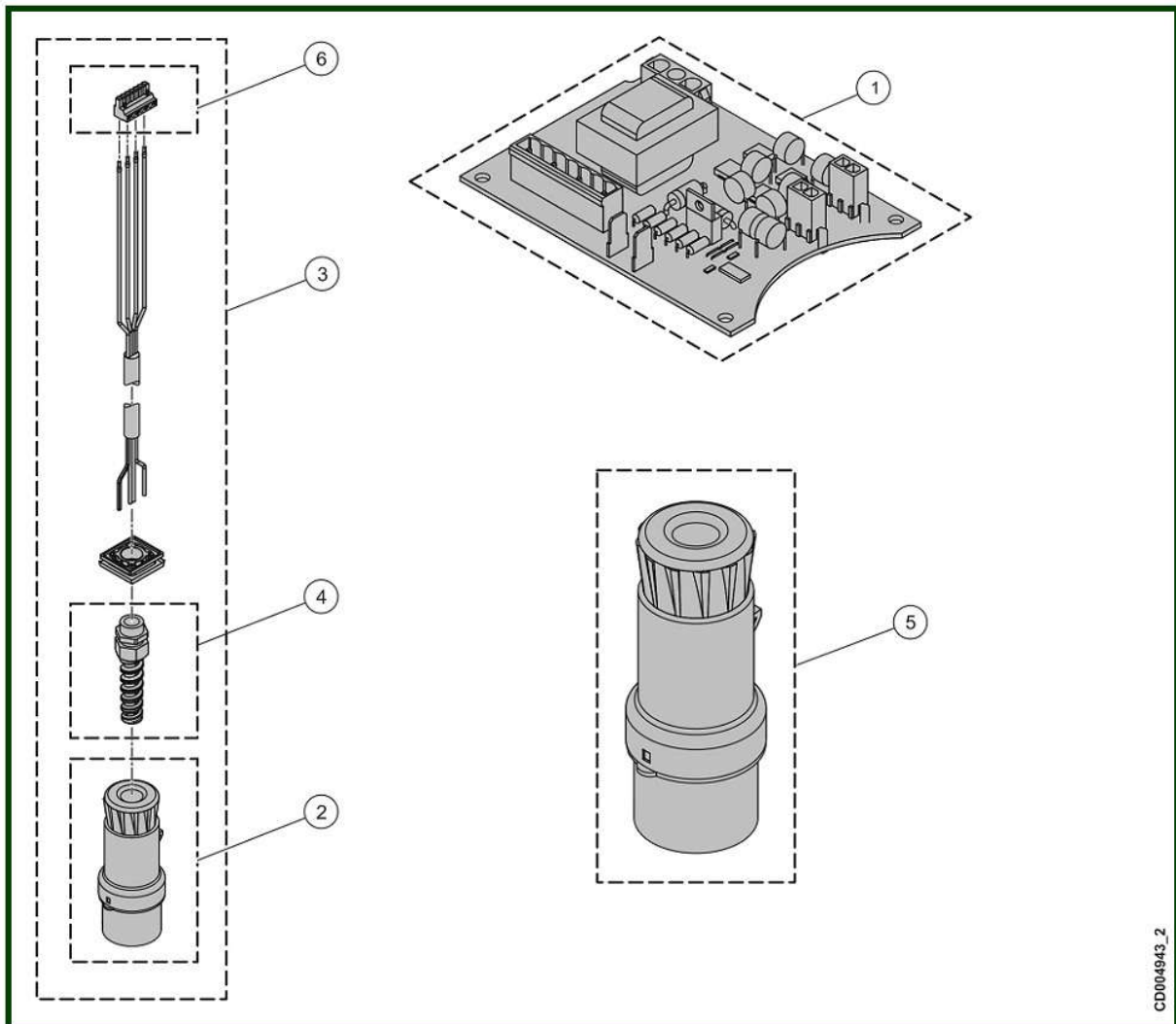


item	reference	description	observation	Quantity
1	VT0005999	Motor 1 speed 208V-230V:60Hz	1500 tours - 4 m / min	1
1	VT0006277	Motor 2 speeds 208-230V 60Hz	3000 tours - 8 m / min	1
1	VT0004654	Motor - 2 speeds 208-230V 60Hz	8-10-16-20m/min	1
1	VT0004651	Motor - 2 speeds 380-415V 50Hz (3000/750tr/min) 440-480V 60Hz (3600/900tr/min)	8-10-16-20m/min	1
2	VT0006185	Double brakes	103 V	1
2	VT0006184	Double brakes	190 V	1
4	VT0004663	Retaining ring		1
5	VT0005088	Screws set		1
6	VT0004665	Bearing		1

5) Electrical parts



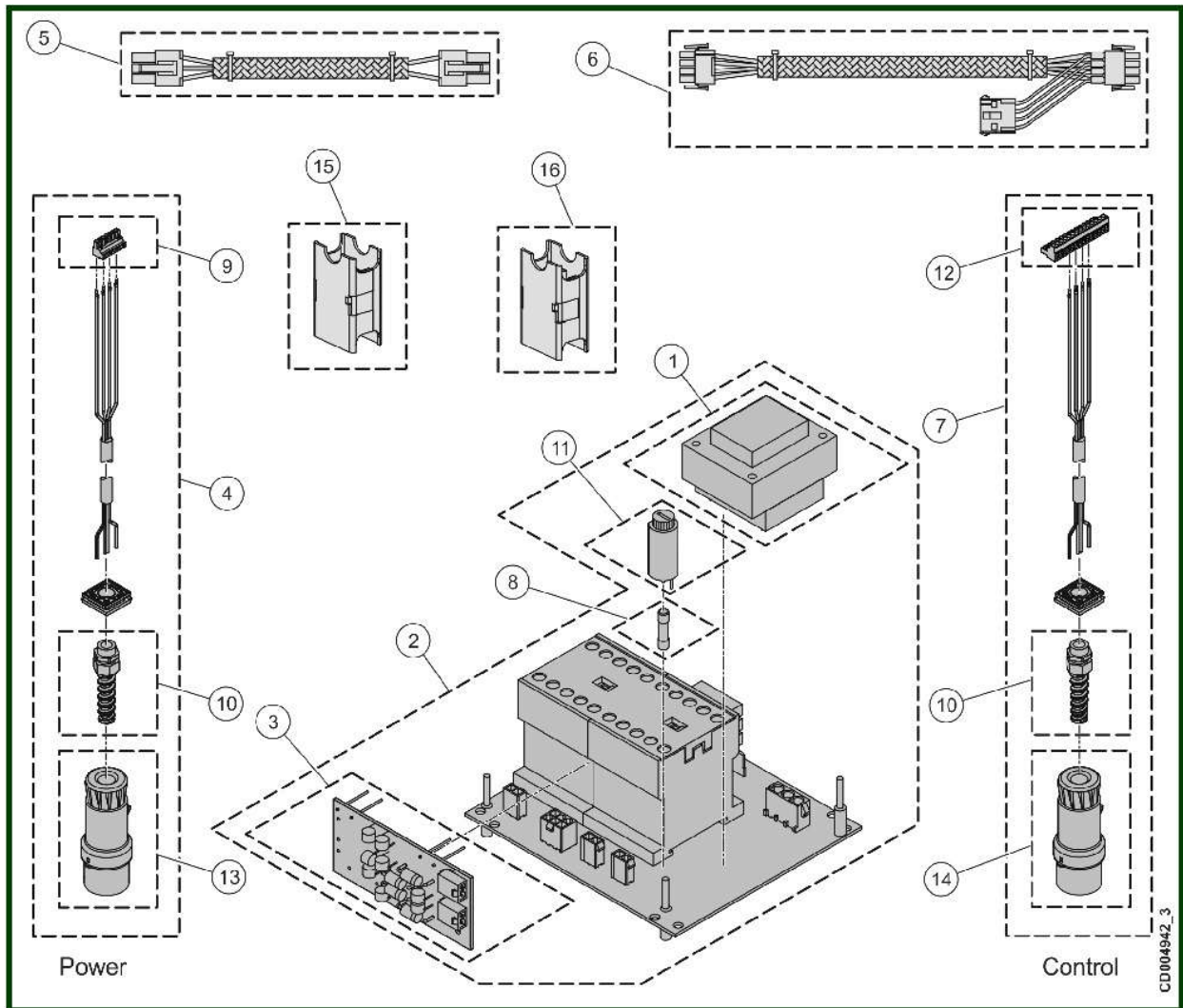
5.1) Version A



CD004943_2

item	reference	description	observation	Quantity
1	VT0006000	ACF card	208-600V - 1 vitesse / 1 speed	1
2	VT0006087	Power supply male blue plug	230V / 3P+T	1
2	VT0006086	Power supply male red plug	400V / 3P+T	1
3	VT0006078	Power supply male blue plug with cable	230V / 50-60Hz / 3P+T 0,5m	1
3	VT0006076	Power supply male red plug with cable	380-415V / 50-60Hz - 400V- 3P+T 0,5m	1
4	VT0006399	Spiral cable gland		1
5	VT0006085	Female blue plug	230V / 3P+T	1
5	VT0006001	Female red plug	400V / 3P+T	1
6	VT0005107	Connector	4P	1

5.2) Version B



item	reference	description	observation	Quantity
1	VT0006193	Transformer	208V / 115V	1
1	VT0006407	Transformer	230V / 48V	1
1	VT0006408	Transformer	230V / 115V	1
1	VT0006192	Transformer	400V / 48V	1
1	VT0006406	Transformer	460V / 115V	1
2	VT0006097	Electrical board - 1 speed - 2 brakes	208V / 50-60HZ / 115V	1
2	VT0006404	Electrical board - 1 speed - 2 brakes	230V / 50HZ / 48V	1
2	VT0006405	Electrical board - 1 speed - 2 brakes	230V / 50HZ / 115V	1
2	VT0006099	Electrical board - 1 speed - 2 brakes	400V / 50HZ / 48V	1
2	VT0006098	Electrical board - 1 speed - 2 brakes	460V / 50-60HZ / 115V	1
3	VT0004947	Rectifier - 2 brakes	230V-690V	1
4	VT0006078	Power supply male blue plug with cable	230V / 50-60Hz / 3P+T 0,5m	1
4	VT0006076	Power supply male red plug with cable	380-415V / 50-60Hz - 400V- 3P+T 0,5m	1
5	VT0004949	Wire harness - Plug control voltage		1
6	VT0004950	Wire harness - Plug power voltage		1
7	VT0006409	Control yellow plug with cable		1
8	VT0006194	Fuses set	48V	1
8	VT0006195	Fuses set	115V	1
9	VT0005107	Connector	4P	1
10	VT0006399	Spiral cable gland		1
11	VT0006191	Fuse base		1
12	VT0006412	Control connector - 5 P		1
13	VT0006087	Power supply male blue plug	230V / 3P+T	1

13	<u>VT0006086</u>	Power supply male red plug	400V / 3P+T	1
14	<u>VT0006761</u>	Control yellow plug - Female	115V - 3P+T	1
15	<u>VT0006410</u>	Power adapter	208V-600V	1
16	<u>VT0006411</u>	Control adapter	24V-230V	1