

## Spare parts catalog for "SR05"

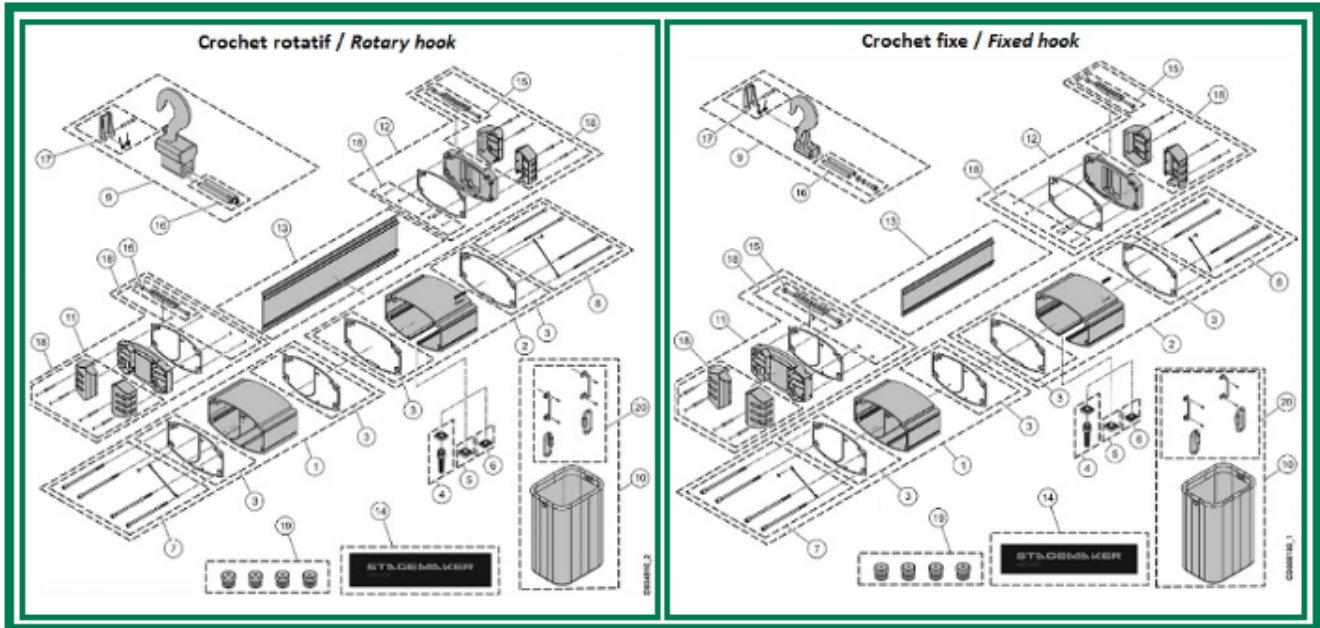
To avoid errors, when ordering please specify:

- Complete type of hoist
- Date of manufacture and serial number
- Spare part code
- Spare part designation
- Additional information

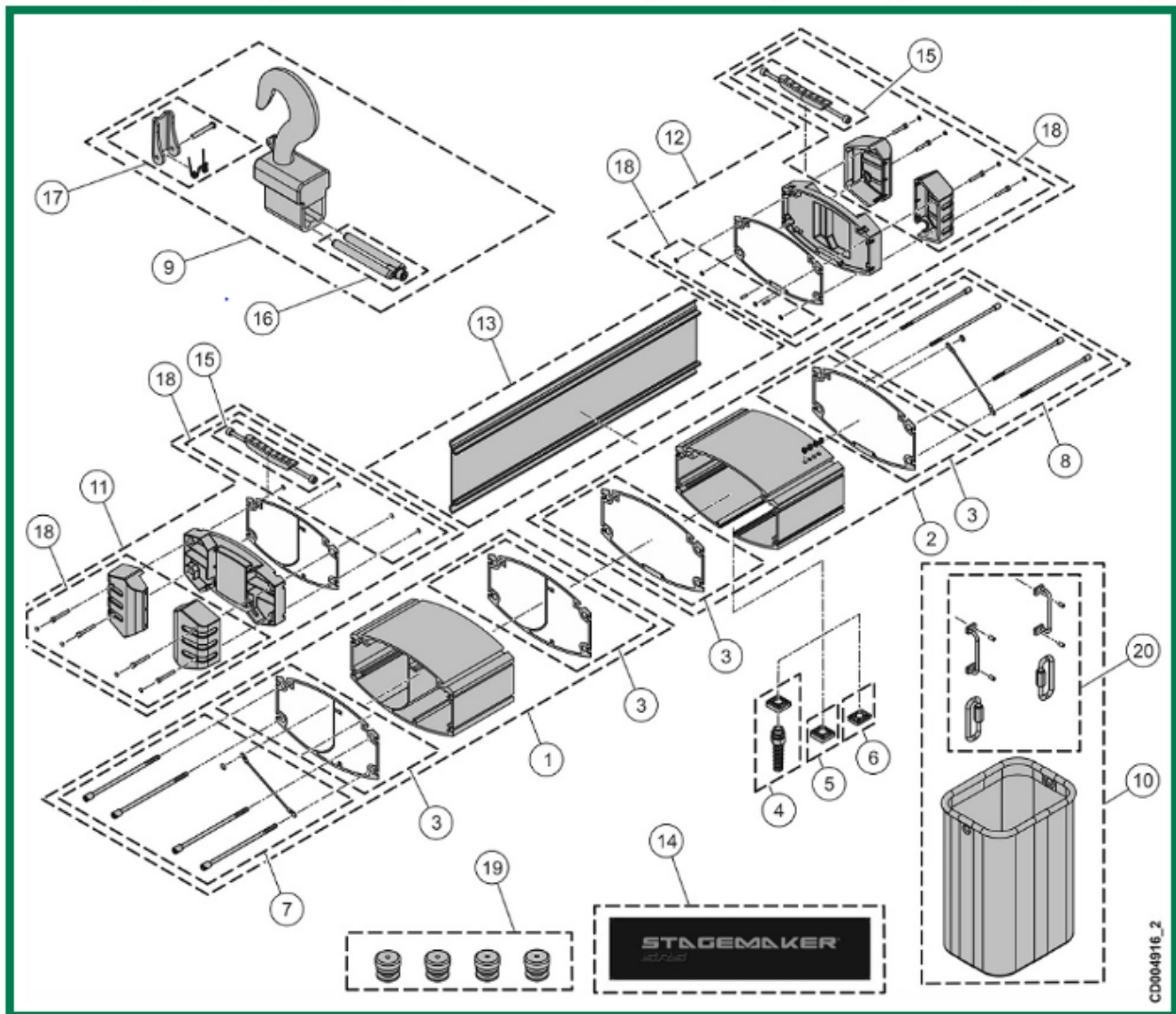


1.	FRAME.....	3
1.1.	Rotary hook.....	4
1.2.	Fixed hoist .....	7
2.	CHAIN GUIDE 5x14 + Hook block .....	10
2.1.	Inverted version .....	11
2.2.	Industrial version .....	13
2.3.	Magnetic limit switch.....	15
3.	GEAR .....	17
3.1.	Standard limit switch & Magnetic - 8 & 16 m/min .....	18
3.2.	Geared limit switch & magnetic - 8 & 16 m/min .....	20
4.	MOTOR.....	22
4.1.	Single brake.....	23
4.2.	Double brakes .....	25
5.	ELECTRICALS PARTS.....	26
5.1.	A Version .....	27
5.2.	B version.....	28

# 1. FRAME



## 1.1. Rotary hook

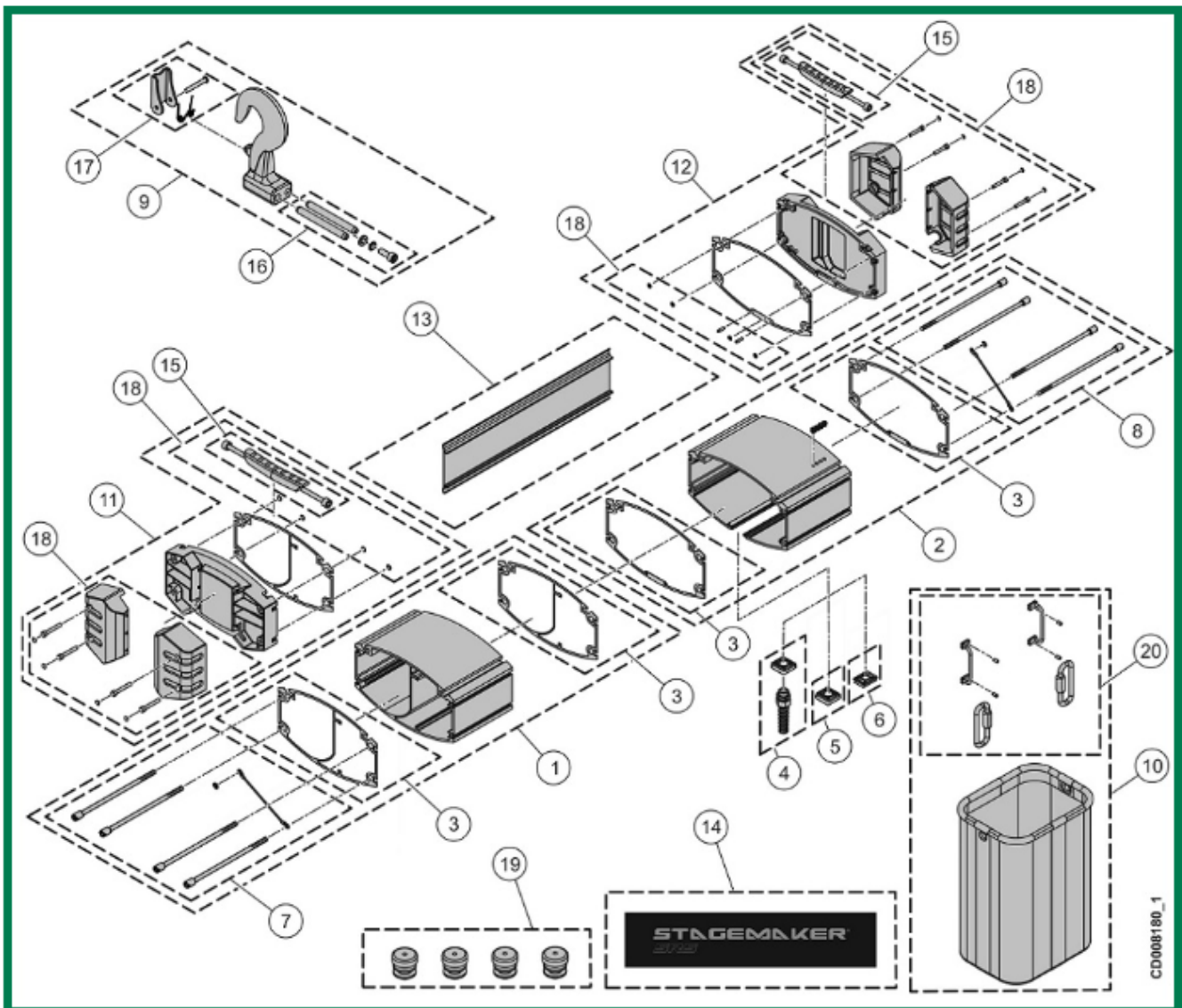


## Rotary hook

Element	Reference	Description	Observation	Quantity
1	<a href="#">VT0004555</a>	Housing set - Motor side	Standard : Single brake & double brake GLS : Double brakes	1
2	<a href="#">VT0007013</a>	Housing set - Brake side	GLS – 2 steps – Single brake	1
2	<a href="#">VT0007014</a>	Housing set - Brake side	GLS – 4 steps – Single brake	1
3	<a href="#">VT0004857</a>	Sealing set		1
4	<a href="#">VT0007033</a>	Cable gland set Square cable entry	PE ISO 25	1
5	<a href="#">VT0007034</a>	End cap Square cable entry	PE ISO 25	1
6	<a href="#">VT0007035</a>	End cap Rectangular cable entry	PE ISO 25 Only Double brakes- FDC 4 steps	1
7	<a href="#">VT0006328</a>	Screw set M6L161 – Motor side	Standard + GLS Single brake & Double brakes	1
8	<a href="#">VT0006327</a>	Screw set M6L147 - Brake side	Standard + GLS - 2 steps - Single brake	1
8	<a href="#">VT0007016</a>	Screw set M6L180 - Brake side	GLS Double brakes	1
9	<a href="#">VT0006237</a>	Rotating upper hook set		1
10	<a href="#">VT0007018</a>	Chain bucket	20 m - Reverse	1
10	<a href="#">VT0007586</a>	Chain bucket	40 m - Reverse	1
11	<a href="#">VT0006238</a>	Cover set - Motor side		1
12	<a href="#">VT0006239</a>	Cover set - Brake side	Single brake & Double brakes	1
13	<a href="#">VT0006366</a>	Housing	Double brakes	1
13	<a href="#">VT0007019</a>	Housing	Single brake	1
14	<a href="#">VT0006038</a>	Sticker - Brand	Double brakes	1
14	<a href="#">VT0006007</a>	Sticker - Brand	Single brake	1
15	<a href="#">VT0006030</a>	Set of 2 rubber handles	Single brake & Double brakes	1
16	<a href="#">VT0004862</a>	Shaft set		1
17	<a href="#">VT0005901</a>	Standard safety latch	Standard hook	1
18	<a href="#">VT0006035</a>	Handle + Protection set		1
19	<a href="#">VT0006090</a>	Set of 4 plug	GLS	1
20	<a href="#">VT0004860</a>	Kit de fixation - Chain bucket	30 m – Industrial / Normal	1
20	<a href="#">VT0006036</a>	Kit de fixation - Chain bucket	20 m - Reverse	1

Element	Reference	Description	Observation	Quantity
	<u>VT0006241</u>	Set of 10 load plates - Hoist	125 Kg	1
	<u>VT0006091</u>	Set of 10 load plates - Hoist	250 Kg	1
	<u>VT0006243</u>	Set of 10 load plates - Hoist	500 Kg	1
	<u>VT0006026</u>	Identification plate	Serial number request	1

## 1.2. Fixed hoist



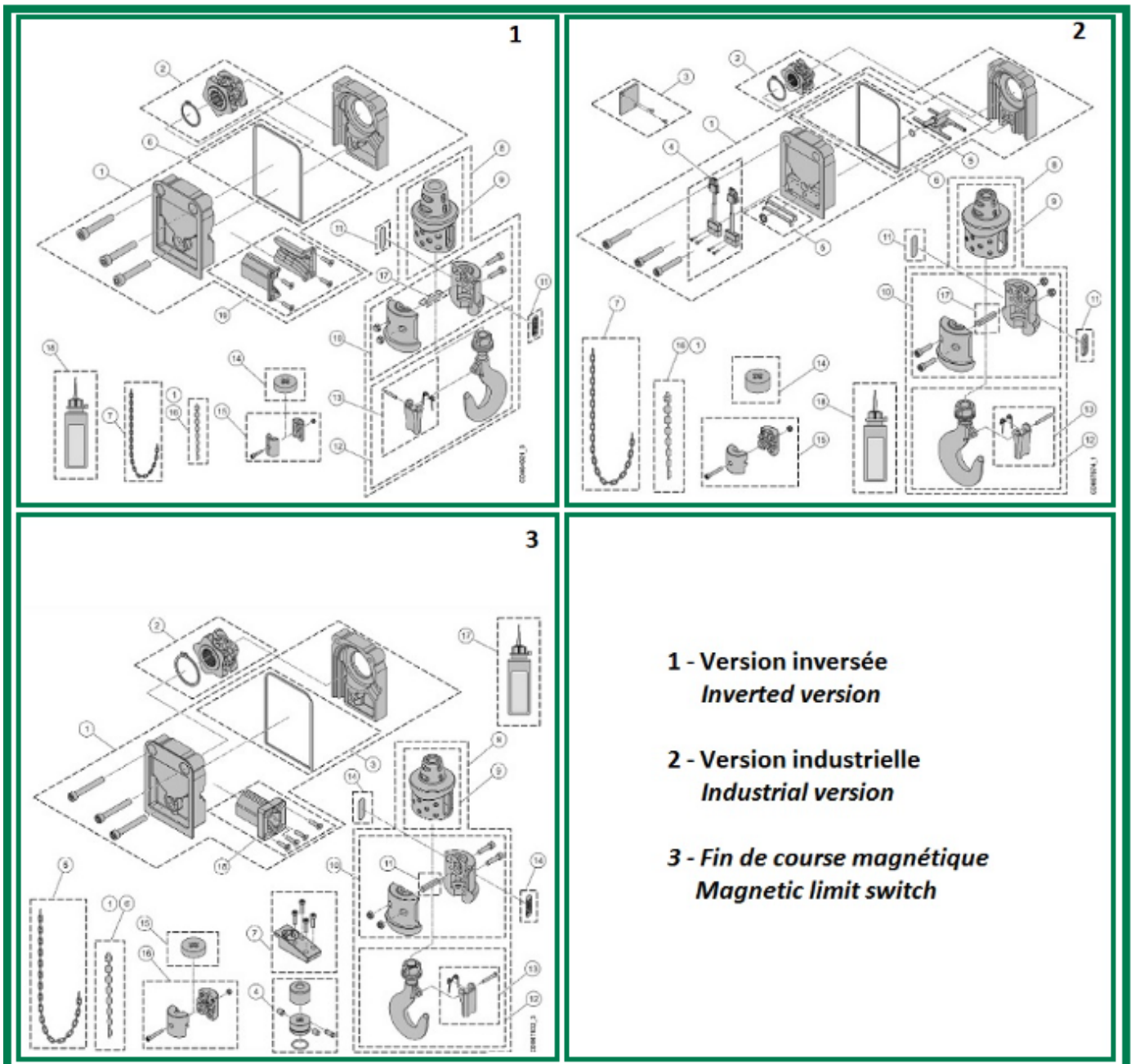
## Fixed hoist

Element	Reference	Description	Observation	Quantity
1	<a href="#">VT0004555</a>	Housing set - Motor side	Standard : Single brake & double brakes GLS : Double brakes	1
2	<a href="#">VT0007013</a>	Housing set - Brake side	GLS 2 steps - Single brake	1
2	<a href="#">VT0007014</a>	Housing set - Brake side	GLS 4 steps - Double brakes	1
3	<a href="#">VT0004857</a>	Sealing set		1
4	<a href="#">VT0007033</a>	Cable gland set Square cable entry	PE ISO 25	1
5	<a href="#">VT0007034</a>	End cap Square cable entry	PE ISO 25	1
6	<a href="#">VT0007035</a>	End cap Rectangular cable entry	PE ISO 25 Only Double brakes- FDC 4 steps	1
7	<a href="#">VT0006328</a>	Screw set M6L161 – Motor side	Standard + GLS Single brake & Double brakes	1
8	<a href="#">VT0006327</a>	Screw set M6L147 - Brake side	Standard + GLS 2 steps - Single brake	1
8	<a href="#">VT0007016</a>	Screw set M6L180 - Brake side	GLS - Double brakes	1
9	<a href="#">VT0004967</a>	Suspension hook set		1
10	<a href="#">VT0007018</a>	Chain bucket	20 m - Reverse	1
10	<a href="#">VT0007586</a>	Chain bucket	40 m - Reverse	1
11	<a href="#">VT0006238</a>	Cover set - Motor side		1
12	<a href="#">VT0006239</a>	Cover set - Brake side	Single brake & Double brakes	1
13	<a href="#">VT0006366</a>	Housing	Double brakes	1
13	<a href="#">VT0007019</a>	Housing	Single brake	1
14	<a href="#">VT0006038</a>	Sticker - Brand	Double brakes	1
14	<a href="#">VT0006007</a>	Sticker - Brand	Single brake	1
15	<a href="#">VT0006030</a>	Set of 2 rubber handles	Single brake & Double brakes	1
16	<a href="#">VT0004862</a>	Shaft set		1
17	<a href="#">VT0005901</a>	Standard safety latch	Standard safety latch	1
18	<a href="#">VT0006035</a>	Handle + Protection set		1
19	<a href="#">VT0006090</a>	Set of 4 plug	GLS	1
20	<a href="#">VT0004860</a>	Fixing set of chain bucket	30 m - Industrial/Normal	1
20	<a href="#">VT0006036</a>	Fixing set of chain bucket	20 m - Reverse	1

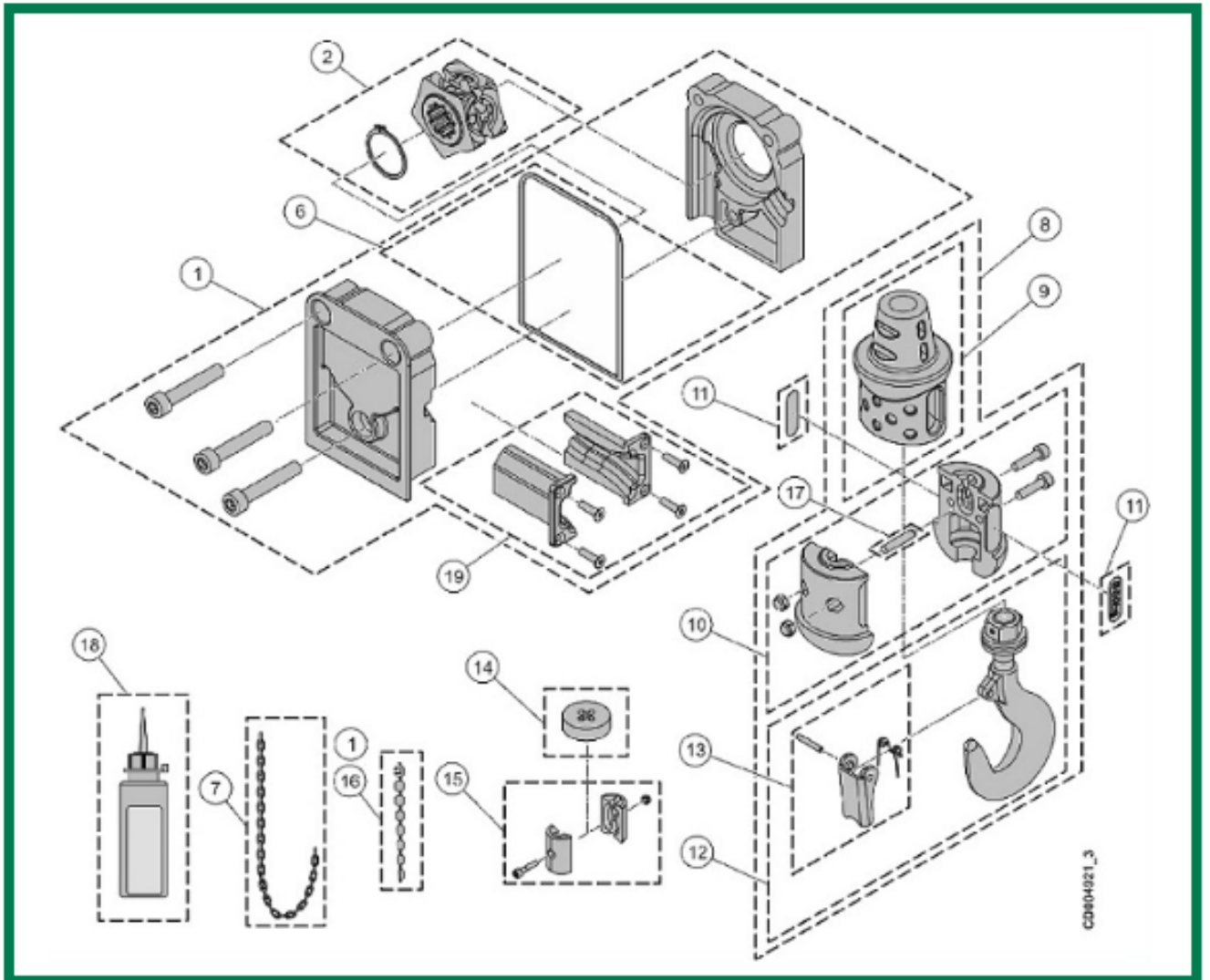


Element	Reference	Description	Observation	Quantity
-	<u>VT0006241</u>	Set of 10 load plates - Hoist	125 Kg	1
-	<u>VT0006091</u>	Set of 10 load plates - Hoist	250 Kg	1
-	<u>VT0006243</u>	Set of 10 load plates - Hoist	500 Kg	1
	<u>VT0006944</u>	Rain cover		1
	<u>VT0006026</u>	Identification plate	Serial number request	1

## 2. CHAIN GUIDE 5x14 + Hook block



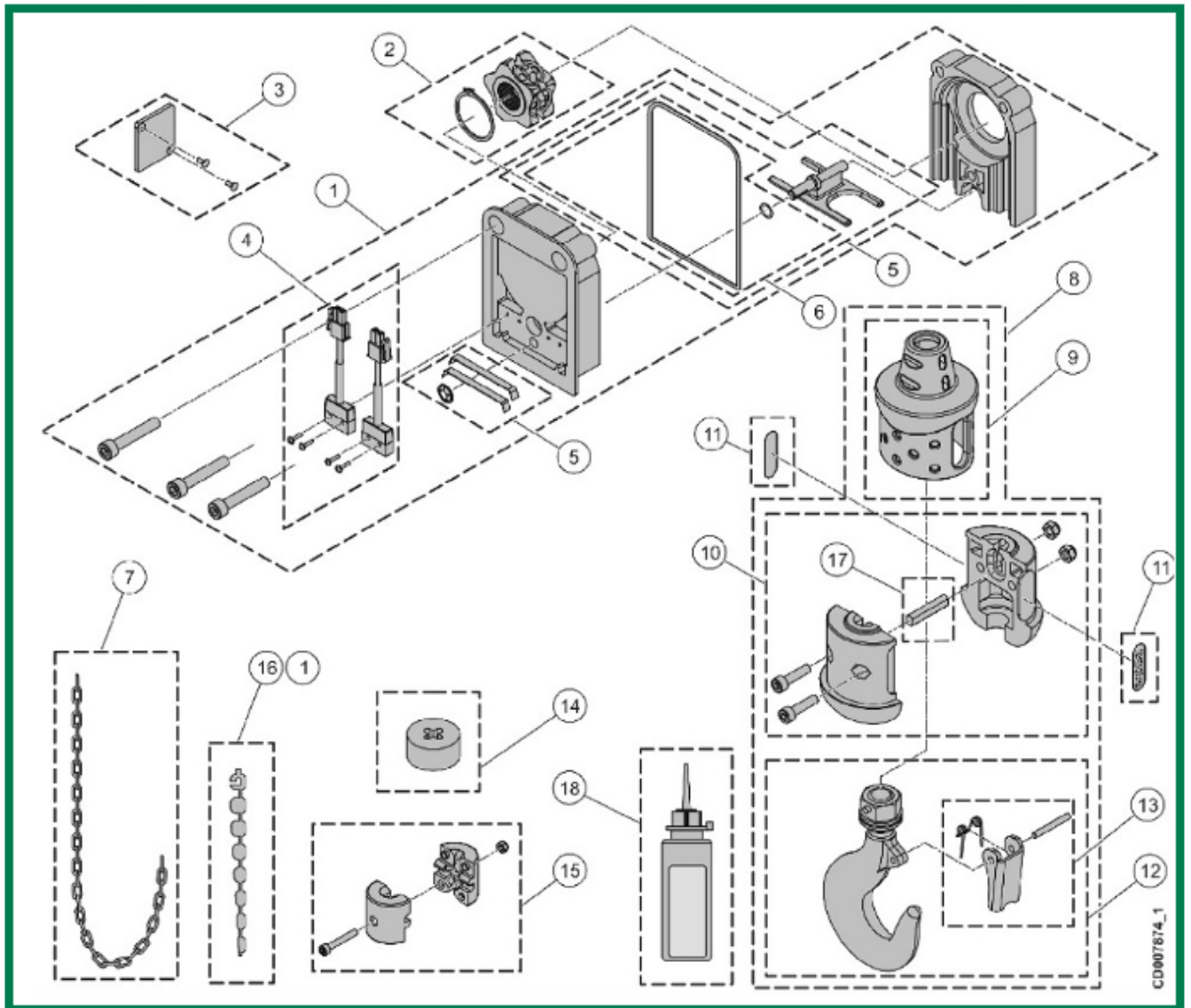
2.1. Inverted version



Inverted version

Element	Reference	Description	Observation	Quantity
1	<u>VT0006064</u>	Chain guide - Chain 5x14	Inverted version	1
2	<u>VT0005106</u>	Chain sprocket		1
6	<u>VT0006272</u>	Sealing	L102,5W76,5T0,5	1
7	<u>VT0006023</u>	Black chain - 5x14	T80 - Standard	1
7	<u>VT0012839</u>	Black chain - 5x14	T100 - Special	1
8	<u>VT0007021</u>	Complete hook block	1 brin	1
9	<u>VT0004971</u>	Rubber chain stop		1
10	<u>VT0006063</u>	Hook component		1
11	<u>VT0006031</u>	Set of 10 load plates - Hook	250 Kg - 4 m/min	1
11	<u>VT0006041</u>	Set of 10 load plates - Hook	500 Kg	1
12	<u>VT0006042</u>	Hook assembly		1
13	<u>VT0004968</u>	Safety latch set	Single brake-Standard hook 12T-0,25T	1
14	<u>VT0008153</u>	Buffer	D40T10	1
15	<u>VT0004877</u>	Chain stop		1
16	<u>VT0005574</u>	Chain fitting tool		1
17	<u>VT0006240</u>	Pin		1
18	<u>VT0007025</u>	Oil can		1
19	<u>VT0008549</u>	External chain guide		1

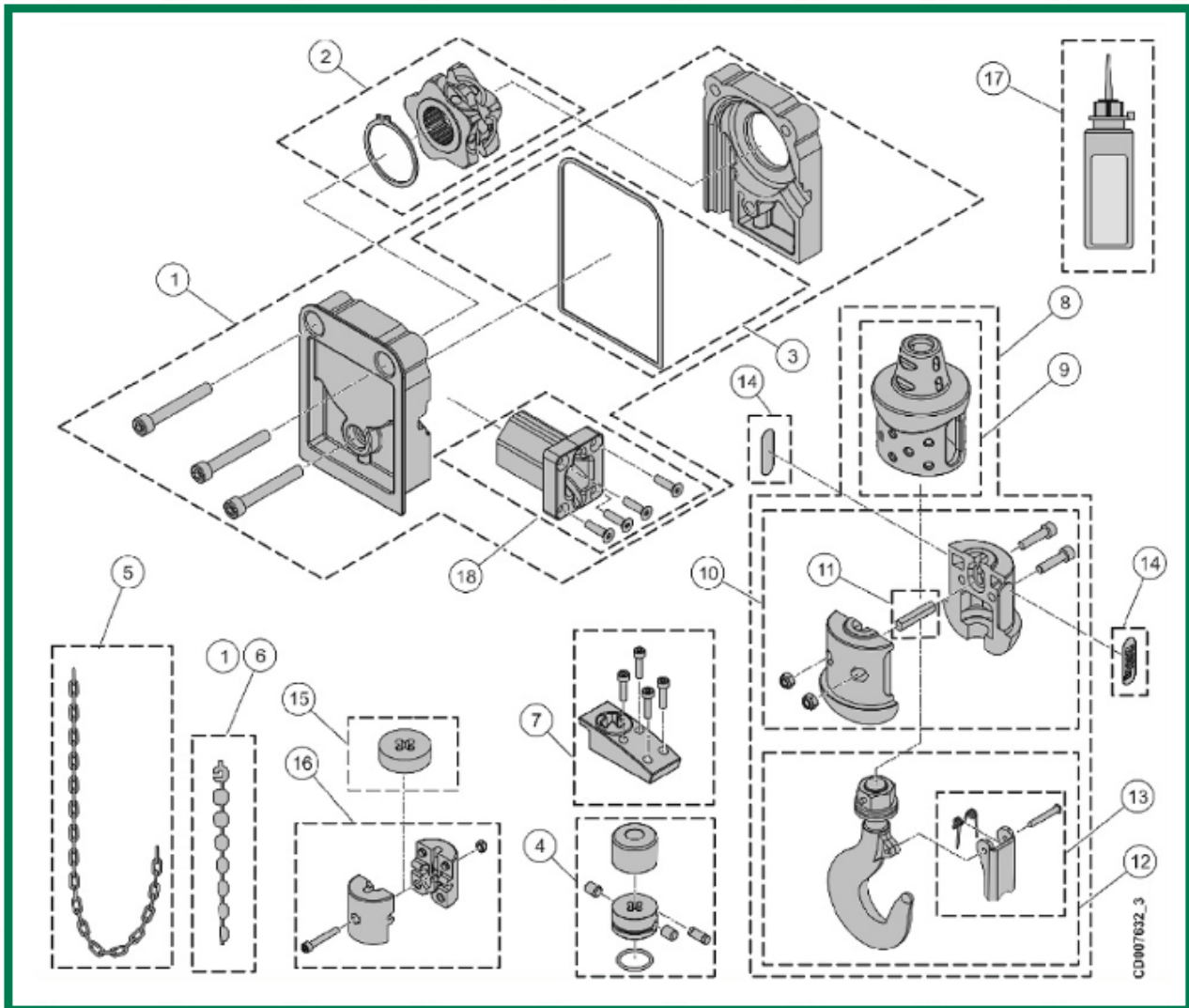
## 2.2. Industrial version



Industrial version

Element	Reference	Description	Observation	Quantity
1	<u>VT0004875</u>	Chain guide - Chain 5x14		1
2	<u>VT0005106</u>	Chain sprocket		1
3	<u>VT0004870</u>	Cap	Chain guide	1
4	<u>VT0004724</u>	Switch set		1
5	<u>VT0004872</u>	Limit switch activator		1
6	<u>VT0004871</u>	Sealing set		1
7	<u>VT0006023</u>	Black chain - 5x14	T80 - Standard	1
7	<u>VT0012839</u>	Black chain - 5x14	T100 - Special	1
8	<u>VT0007021</u>	Complete hook block	1 brin	1
9	<u>VT0004971</u>	Rubber chain stop		1
10	<u>VT0006063</u>	Hook component		1
11	<u>VT0006031</u>	Set of 10 load plates - Hook	250 Kg - 4 m/min	1
11	<u>VT0006041</u>	Set of 10 load plates - Hook	500 Kg	1
12	<u>VT0006042</u>	Hook assembly		1
13	<u>VT0004968</u>	Safety latch set	Single brake-Standard hook 0,12T-0,25T	1
14	<u>VT0008153</u>	Buffer	D40T10	1
15	<u>VT0004877</u>	Chain stop		1
16	<u>VT0005574</u>	Chain fitting tool		1
17	<u>VT0006240</u>	Pin		1
18	<u>VT0007025</u>	Oil can		1

### 2.3. Magnetic limit switch



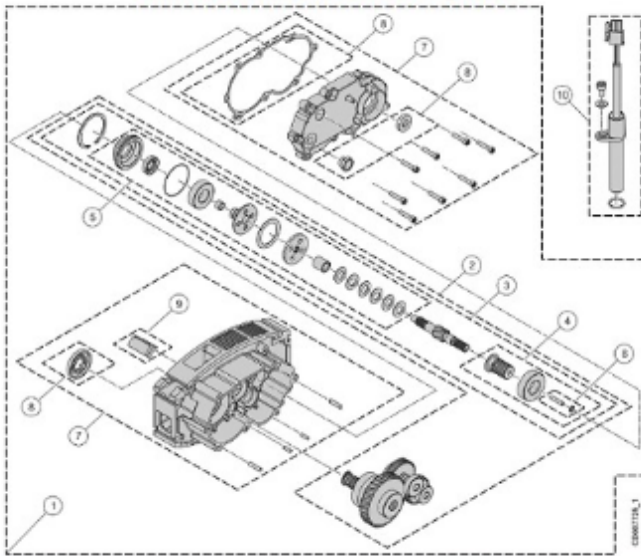
## Magnetic limit switch

Element	Reference	Description	Observation	Quantity
1	<u>VT0006064</u>	Chain guide - Chain 5x14	Inverted version	1
2	<u>VT0005106</u>	Chain sprocket		1
3	<u>VT0006272</u>	Sealing	L102,5W76,5T0,5	1
4	<u>VT0007407</u>	Magnetic limit switch activator		1
5	<u>VT0006023</u>	Black chain - 5x14	T80 - Standard	1
5	<u>VT0012839</u>	Black chain - 5x14	T100 - Special	1
6	<u>VT0005574</u>	Chain fitting tool		1
7	<u>VT0007408</u>	Set of chain entry		1
8	<u>VT0007021</u>	Complete hook block	1 brin	1
9	<u>VT0004971</u>	Rubber chain stop		1
10	<u>VT0006063</u>	Hook component		1
11	<u>VT0006240</u>	Pin		1
12	<u>VT0006042</u>	Hook assembly		1
13	<u>VT0004968</u>	Safety latch set	Single brake-Standard hook 0,12T-0,25T	1
14	<u>VT0007577</u>	Set of 10 load plates - Hook	250 Kg	1
14	<u>VT0007579</u>	Set of 10 load plates - Hook	500 Kg	1
15	<u>VT0008153</u>	Buffer	D40T10	1
16	<u>VT0004877</u>	Chain stop		1
17	<u>VT0006025</u>	Oil can		1
18	<u>VT0008549</u>	External chain guide		1

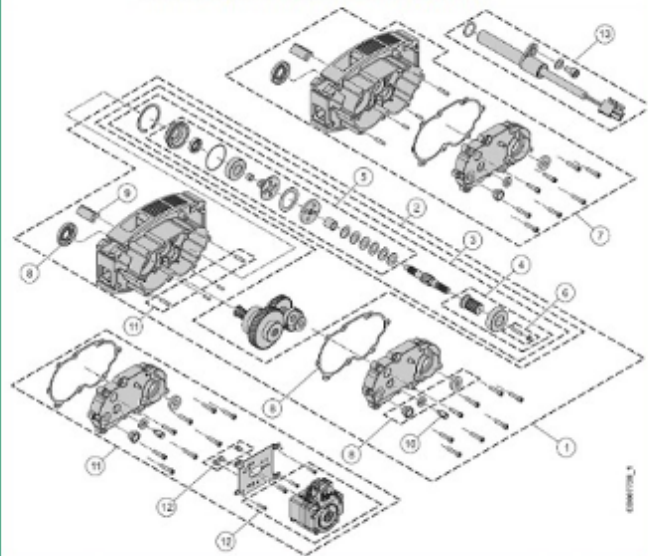


### 3. GEAR

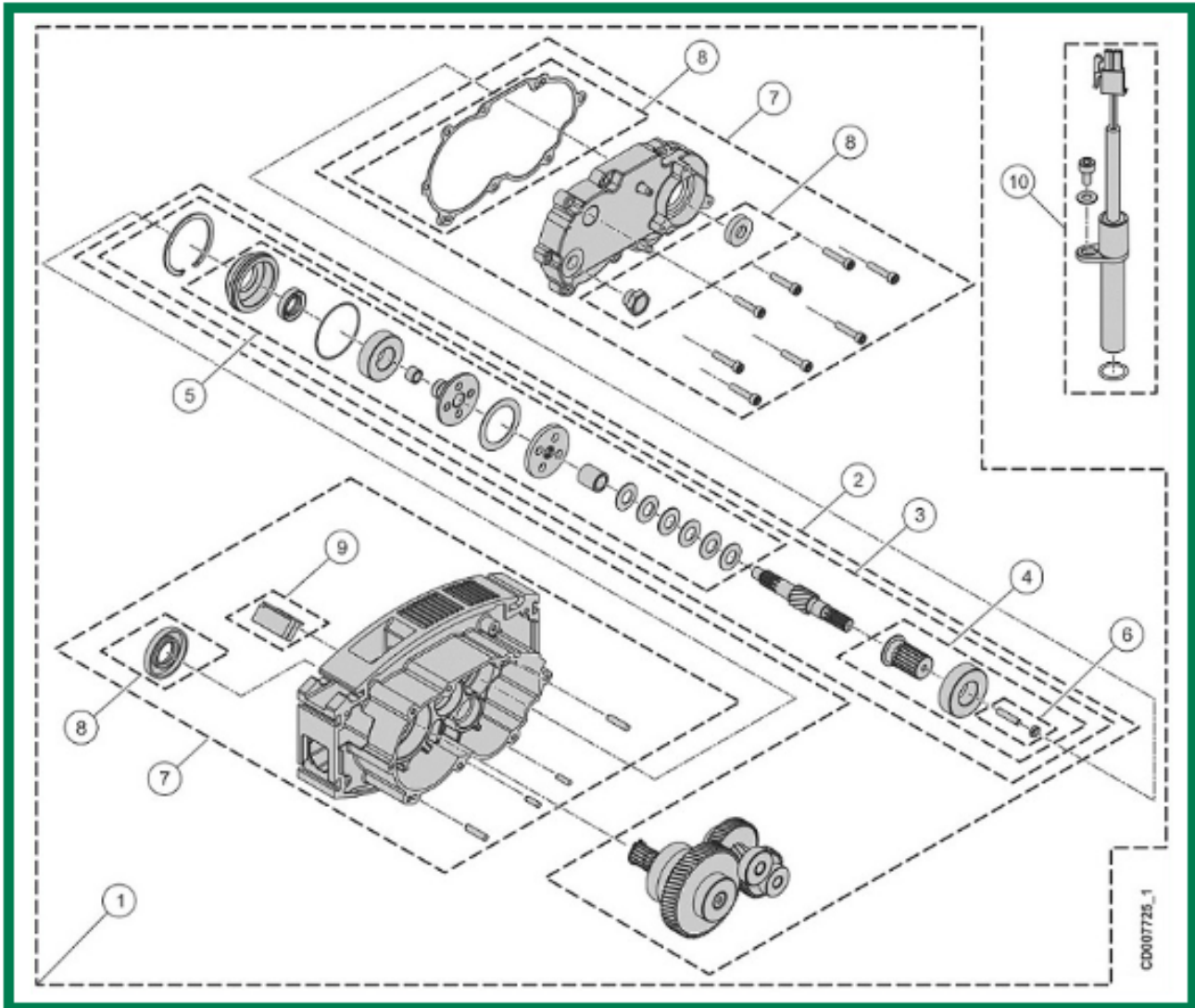
**Fin de course standard & Magnétique**  
*Standard limit switch & Magnetic*



**Fin de course à came & Magnétique**  
*Geared limit switch & Magnetic*



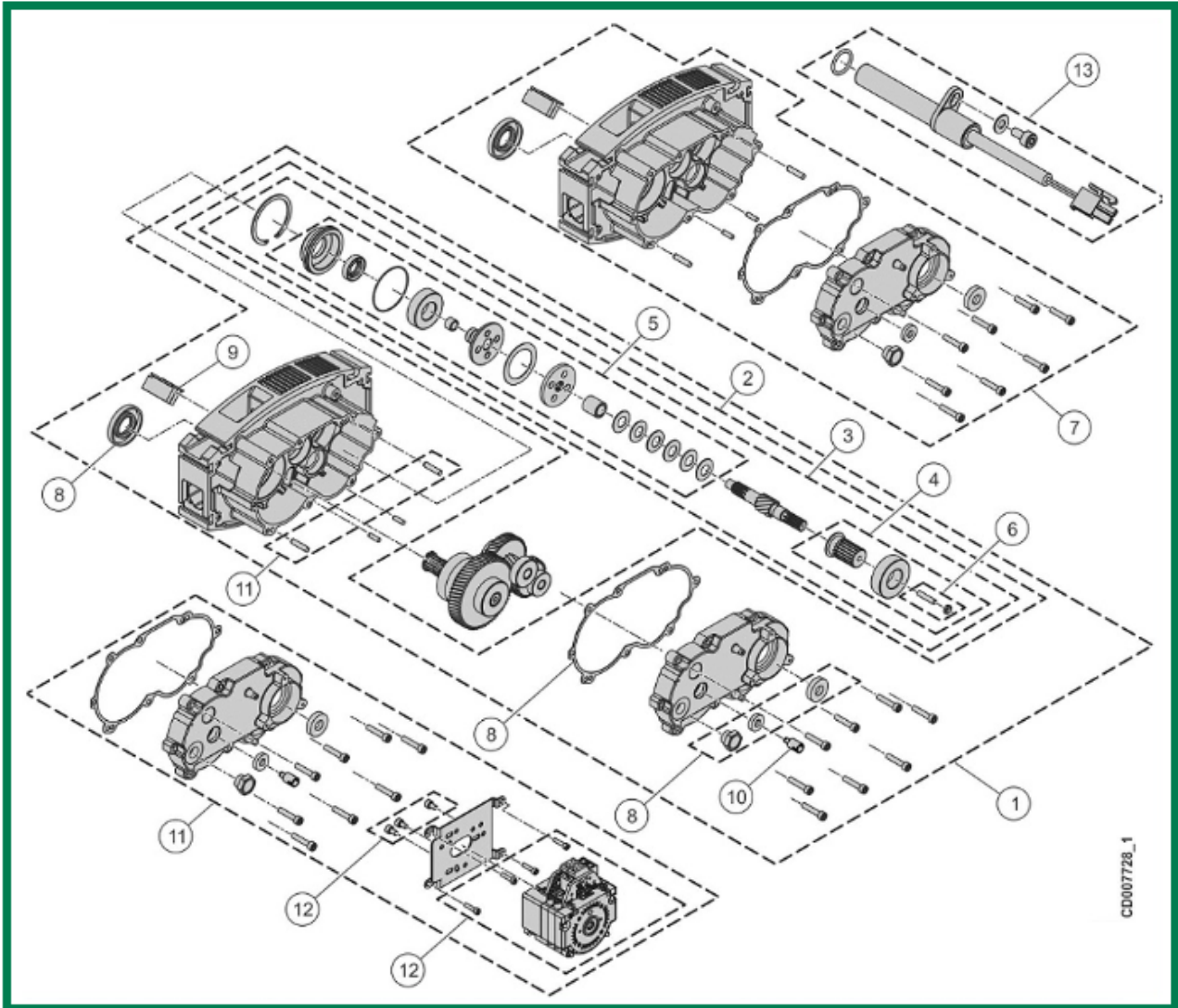
3.1. Standard limit switch & Magnetic - 8 & 16 m/min



Standard limit switch & Magnetic - 8 & 16 m/min

Element	Reference	Description	Observation	Quantity
1	<u>VT0007001</u>	Gear assembly - 8 m/min	Standard - Double brakes	1
1	<u>VT0006999</u>	Gear assembly - 8 m/min	Standard - Single brake	1
1	<u>VT0007002</u>	Gear assembly- 16 m/min	Standard - Double brakes	1
1	<u>VT0007000</u>	Gear assembly- 16 m/min	Standard - Single brake	1
2	<u>VT0006468</u>	Gear / Rotating limit switch set 8 m/min	Standard - Single brake	1
2	<u>VT0006470</u>	Gear / Rotating limit switch set 16 m/min	Standard - Single brake	1
3	<u>VT0006503</u>	Gear shaft with clutch	Double brakes- 8m/min	1
3	<u>VT0004885</u>	Gear shaft with clutch	Single brake- 8m/min	1
3	<u>VT0006248</u>	Gear shaft with clutch	Double brakes- 16m/min	1
3	<u>VT0007011</u>	Gear shaft with clutch	Single brake- 16m/min	1
4	<u>VT0006247</u>	Coupling - Brake Side	Double brakes	1
4	<u>VT0006246</u>	Coupling - Brake Side	Single brake	1
5	<u>VT0004887</u>	Clutch		1
6	<u>VT0006107</u>	Screws set		1
7	<u>VT0006997</u>	Carter	Standard	1
8	<u>VT0004890</u>	Sealing set	Standard	1
9	<u>VT0004976</u>	Rubber		1
10	<u>VT0007001</u>	Hoisting limit switch	Magnetic	1

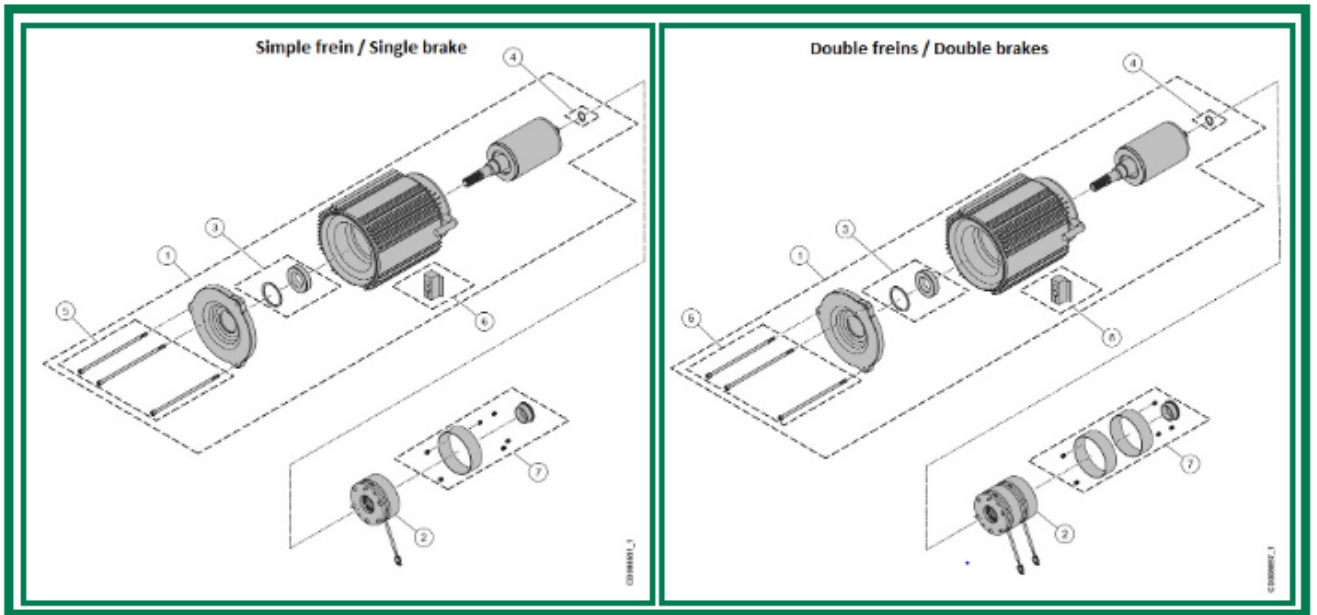
### 3.2. Geared limit switch & magnetic - 8 & 16 m/min



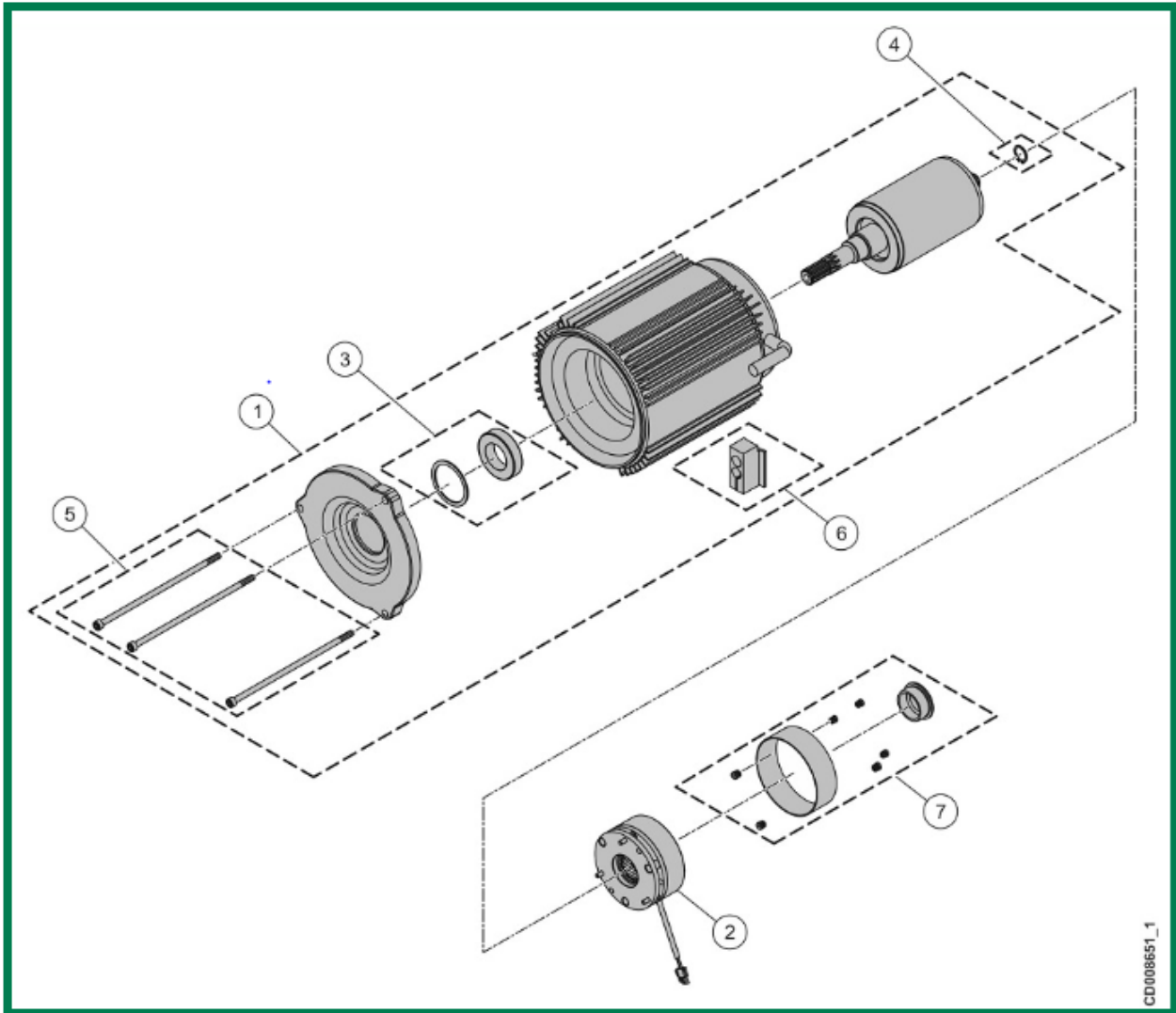
Geared limit switch & magnetic - 8 & 16 m/min

Element	Reference	Description	Observation	Quantity
1	<a href="#">VT0007005</a>	Gear assembly - 8 m/min	GLS - Double brakes	1
1	<a href="#">VT0007003</a>	Gear assembly - 8 m/min	Standard - Single brake	1
1	<a href="#">VT0007006</a>	Gear assembly- 16 m/min	GLS - Double brakes	1
1	<a href="#">VT0007004</a>	Gear assembly- 16 m/min	GLS - Single brake	1
2	<a href="#">VT0007009</a>	Gear / Rotating limit switch set - 8 m/min	GLS - Double brakes	1
2	<a href="#">VT0007007</a>	Gear / Rotating limit switch set - 8 m/min	GLS - Single brake	1
2	<a href="#">VT0007010</a>	Gear / Rotating limit switch set- 16 m/min	GLS - Double brakes	1
2	<a href="#">VT0007008</a>	Gear / Rotating limit switch set- 16 m/min	GLS - Single brake	1
3	<a href="#">VT0006503</a>	Gear shaft with clutch	Double brakes- 8m/min	1
3	<a href="#">VT0004885</a>	Gear shaft with clutch	Single brake- 8m/min	1
3	<a href="#">VT0006248</a>	Gear shaft with clutch	Double brakes- 16m/min	1
3	<a href="#">VT0007011</a>	Gear shaft with clutch	Single brake- 16m/min	1
4	<a href="#">VT0006247</a>	Coupling - Brake Side	Double brakes	1
4	<a href="#">VT0006246</a>	Coupling - Brake Side	Single brake	1
5	<a href="#">VT0004887</a>	Clutch		1
6	<a href="#">VT0006107</a>	Screws set		1
7	<a href="#">VT0006998</a>	Carter	GLS	1
8	<a href="#">VT0006250</a>	Sealing set	Rotating limit switch	1
9	<a href="#">VT0004976</a>	Rubber		1
10	<a href="#">VT0006251</a>	Pinion	Pour fin de course à came	1
11	<a href="#">VT0006256</a>	Adaptation set Geared limit switch - 2 steps	Lift height : 20m	1
11	<a href="#">VT0006255</a>	Adaptation set Geared limit switch - 4 steps	Lift height : : 20m	1
12	<a href="#">VT0006113</a>	Rotating limit switch – 2 steps		1
12	<a href="#">VT0006252</a>	Rotating limit switch – 4 steps		1
13	<a href="#">VT0007547</a>	Hoisting limit switch	Magnetic	1

## 4. MOTOR



#### 4.1. Single brake



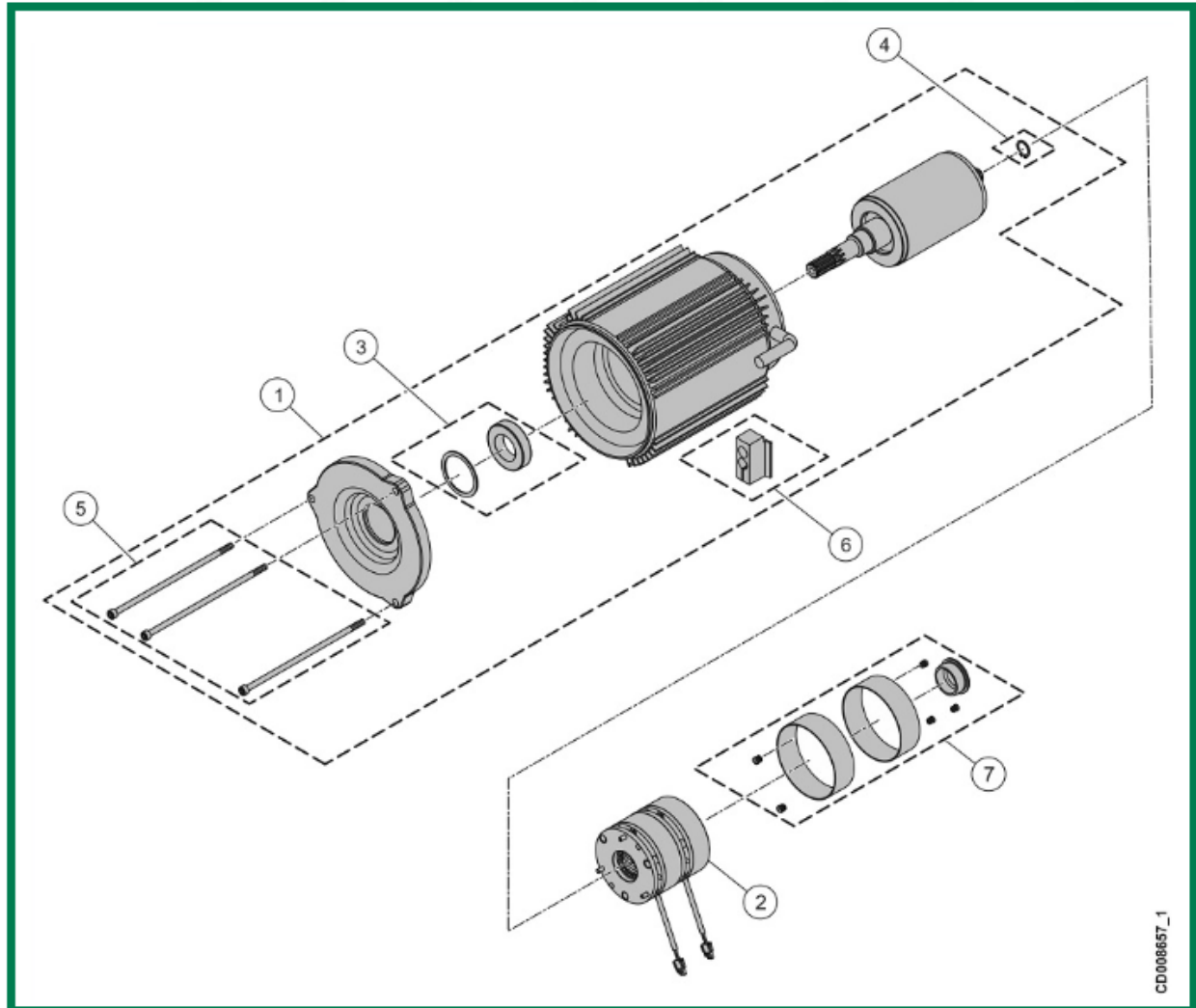
CD008651\_1

## Single brake

Element	Reference	Description	Observation	Quantity
1	<u>VT0007052</u>	Motor - 1 speed 208V-230V 60Hz	1500 tours - 4 m/min	1
1	<u>VT0006266</u>	Motor - 1 speed 380V-415V 50 Hz / 440V-480V 60Hz	1500 tours - 4 m/min	1
1	<u>VT0007054</u>	Motor - 2 speeds 208V-230V 60Hz	8m/min - 16m/min	1
1	<u>VT0007053</u>	Motor - 2 speeds 380V-415V 50Hz / 440V-480V 60Hz	8m/min - 16m/min	1
2	<u>VT0008041</u>	Single brake- 103V	Since October 2015 - week 41	1
2	<u>VT0008042</u>	Single brake- 190V	Since October 2015 - week 41	1
3	<u>VT0006267</u>	Bearing set		1
4	<u>VT0004977</u>	Retaining ring		1
5	<u>VT0006485</u>	Screws set	M6x160	1
6	<u>VT0004976</u>	Rubber		1
7	<u>VT0009220</u>	Waterproof sealings set for the brake	Single brake	1

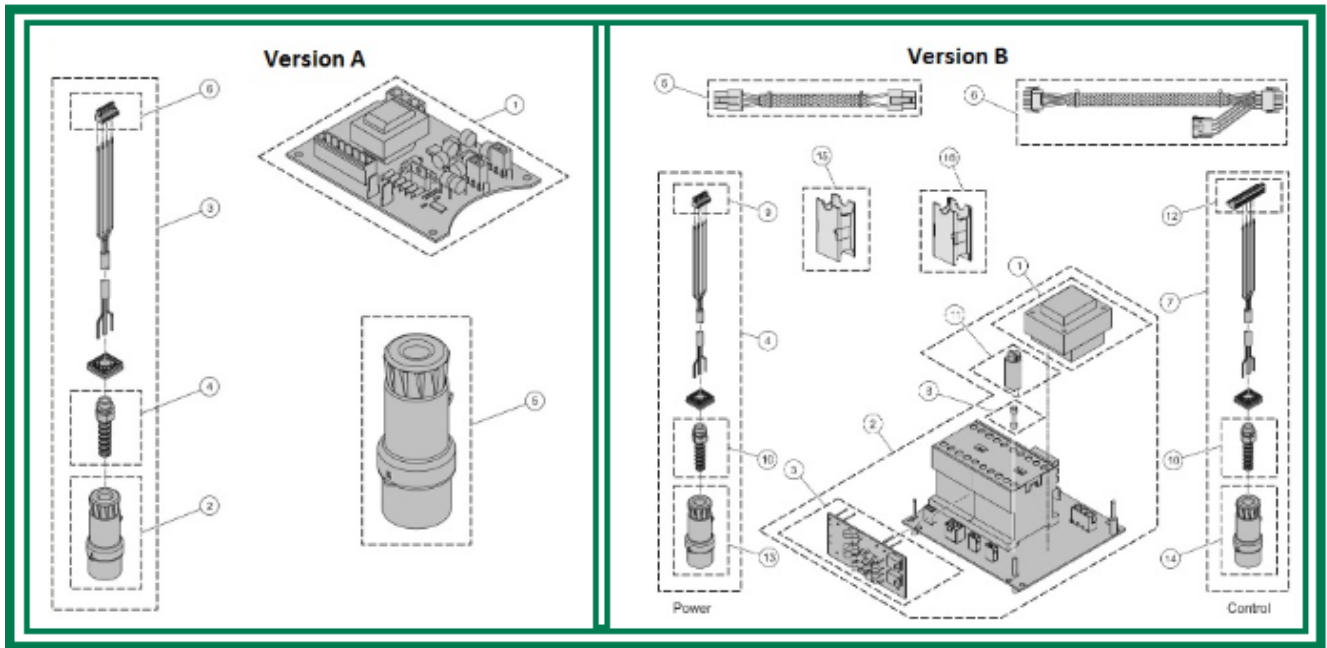


## 4.2. Double brakes

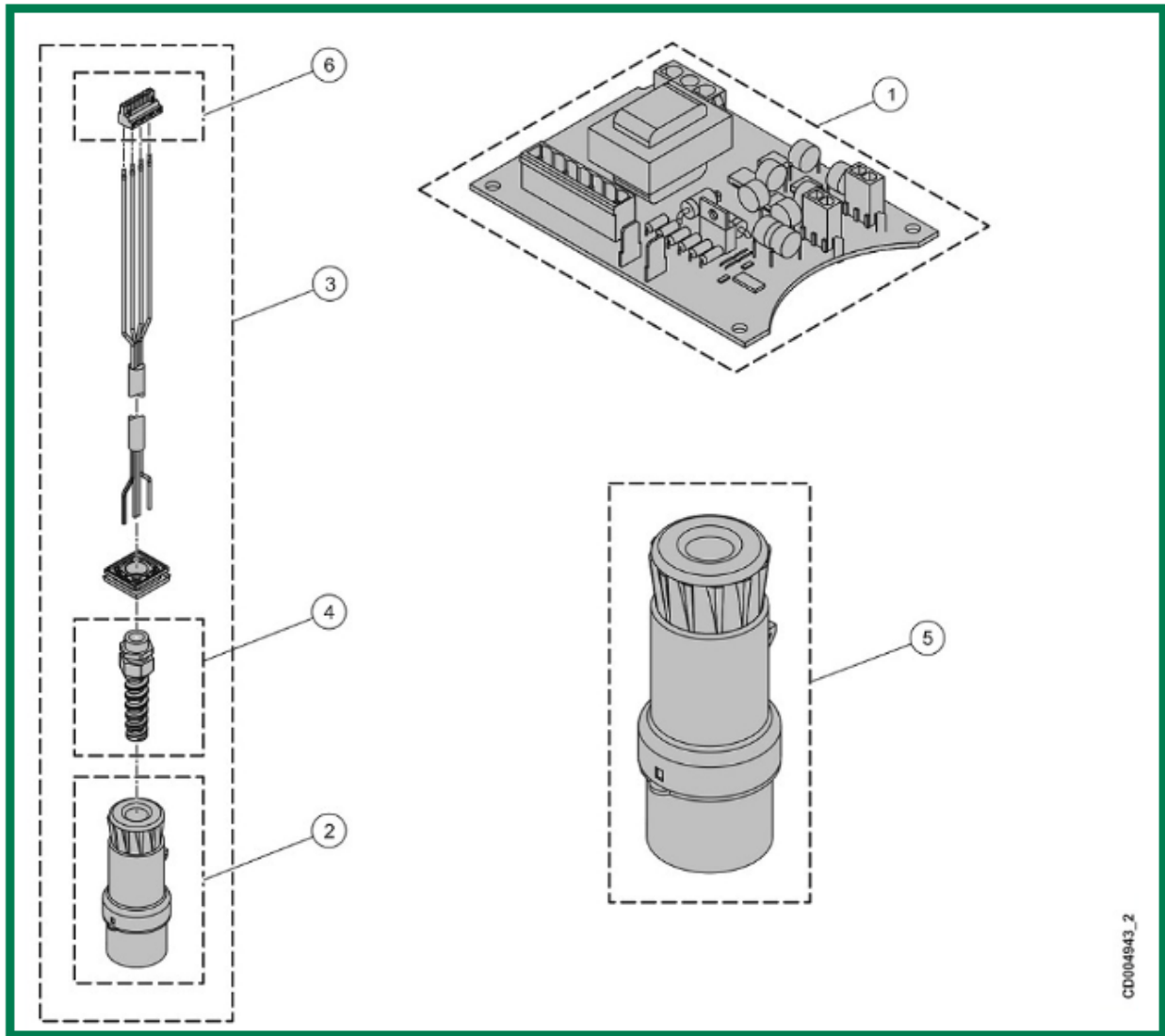


Element	Reference	Description	Observation	Quantity
1	<a href="#">VT0007052</a>	Motor - 1 speed 208V-230V 60Hz	1500 tours - 4 m/min	1
1	<a href="#">VT0006266</a>	Motor - 1 speed 380V-415V 50 Hz / 440V-480V 60Hz	1500 tours - 4 m/min	1
1	<a href="#">VT0007054</a>	Motor - 2 speeds 208V-230V 60Hz	8m/min - 16m/min	1
1	<a href="#">VT0007053</a>	Motor - 2 speeds 380V-415V 50Hz / 440V-480V 60Hz	8m/min - 16m/min	1
2	<a href="#">VT0008043</a>	Double brakes- 103V	Since October 2015-week 41	1
2	<a href="#">VT0008044</a>	Double brakes- 190V	Since October 2015-week 41	1
3	<a href="#">VT0006267</a>	Bearing set		1
4	<a href="#">VT0004977</a>	Retaining ring		1
5	<a href="#">VT0006485</a>	Screws set	M6x160	1
6	<a href="#">VT0004976</a>	Rubber		1
7	<a href="#">VT0009221</a>	Waterproof sealings set for the brake	Double brakes	1

## 5. ELECTRICAL PARTS



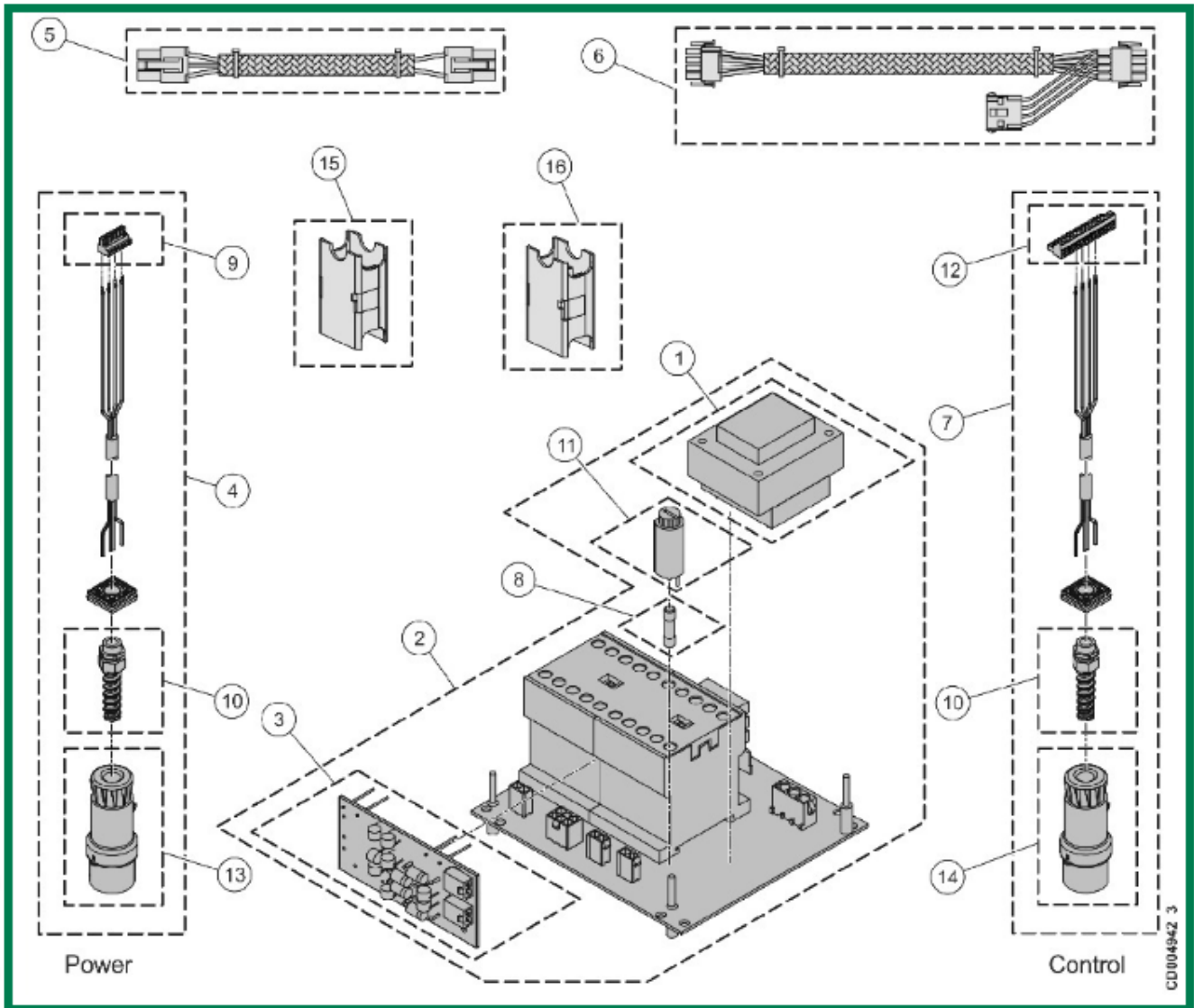
## 5.1. A Version



CD004943\_2

Element	Reference	Description	Observation	Quantity
1	<u>VT0006000</u>	ACF card	1 speed	1
2	<u>VT0006087</u>	Power supply male blue plug	230V / 3P+T EXCEPT USA	1
2	<u>VT0006086</u>	Power supply male red plug	400V / 3P+T EXCEPT USA	1
3	<u>VT0006078</u>	Power supply male blue plug with cable	230V / 50-60HZ / 3P+T EXCEPT USA	1
3	<u>VT0006076</u>	Power supply male red plug avec cable	380-415V / 50-60HZ - 400V/3P+T EXCEPT USA	1
4	<u>VT0006399</u>	Spiral cable gland	EXCEPT USA	1
5	<u>VT0006085</u>	Female blue plug	230V / 3P+T	1
5	<u>VT0006001</u>	Female red plug	400V / 3P+T	1
6	<u>VT0005107</u>	Power connector - 4 P	1 speed CE /SX07 /SCPB	1

5.2. B version



Version B

Element	Reference	Description	Observation	Quantity
1	<u>VT0006193</u>	Transformer	208V / 115V	1
1	<u>VT0006407</u>	Transformer	230V / 48V	1
1	<u>VT0006408</u>	Transformer	230V / 115V	1
1	<u>VT0006192</u>	Transformer	400V / 48V	1
1	<u>VT0006406</u>	Transformer	460V / 115V	1
2	<u>VT0006097</u>	Electrical board 1 speed - 2 brakes	208V / 50-60HZ / 115V	1
2	<u>VT0006404</u>	Electrical board 1 speed - 2 brakes	230V / 50HZ / 48V	1
2	<u>VT0006405</u>	Electrical board 1 speed - 2 brakes	230V / 50HZ / 115V	1
2	<u>VT0006099</u>	Electrical board 1 speed - 2 brakes	400V / 50HZ / 48V	1
2	<u>VT0006098</u>	Electrical board 1 speed - 2 brakes	460V / 50-60HZ / 115V	1
3	<u>VT0004947</u>	Rectifier - 2 brakes	208V - 690V	1
4	<u>VT0006078</u>	Power supply male blue plug with cable	230V / 50-60HZ / 3P+T EXCEPT USA	1
4	<u>VT0006076</u>	Power supply male red plug with cable	380-415V / 50-60HZ - 400V/3P+T EXCEPT USA	1
5	<u>VT0004949</u>	Wire harness / plug control voltage		1
6	<u>VT0004950</u>	Wire harness / plug control voltage		1
7	<u>VT0006409</u>	Control yellow plug with cable		1
8	<u>VT0006194</u>	Fuses set	48V	1
8	<u>VT0006195</u>	Fuses set	115V	1
9	<u>VT0005107</u>	Power connector - 4 P	1 speed CE /SX07 /SCPB	1
10	<u>VT0006399</u>	Spiral cable gland	EXCEPT USA	1
11	<u>VT0006191</u>	Fuses bases		1
12	<u>VT0006412</u>	Control connector - 5P		1
13	<u>VT0006087</u>	Power supply male blue plug	230V / 3P+T EXCEPT USA	1
13	<u>VT0006086</u>	Power supply male red plug	400V / 3P+T EXCEPT USA	1
14	<u>VT0006761</u>	Control yellow plug - Female		1
15	<u>VT0006410</u>	Power adapter	208V-600V	1
16	<u>VT0006411</u>	Control adapter	24V-230V	1