

## Spare parts catalogue for "SL10"

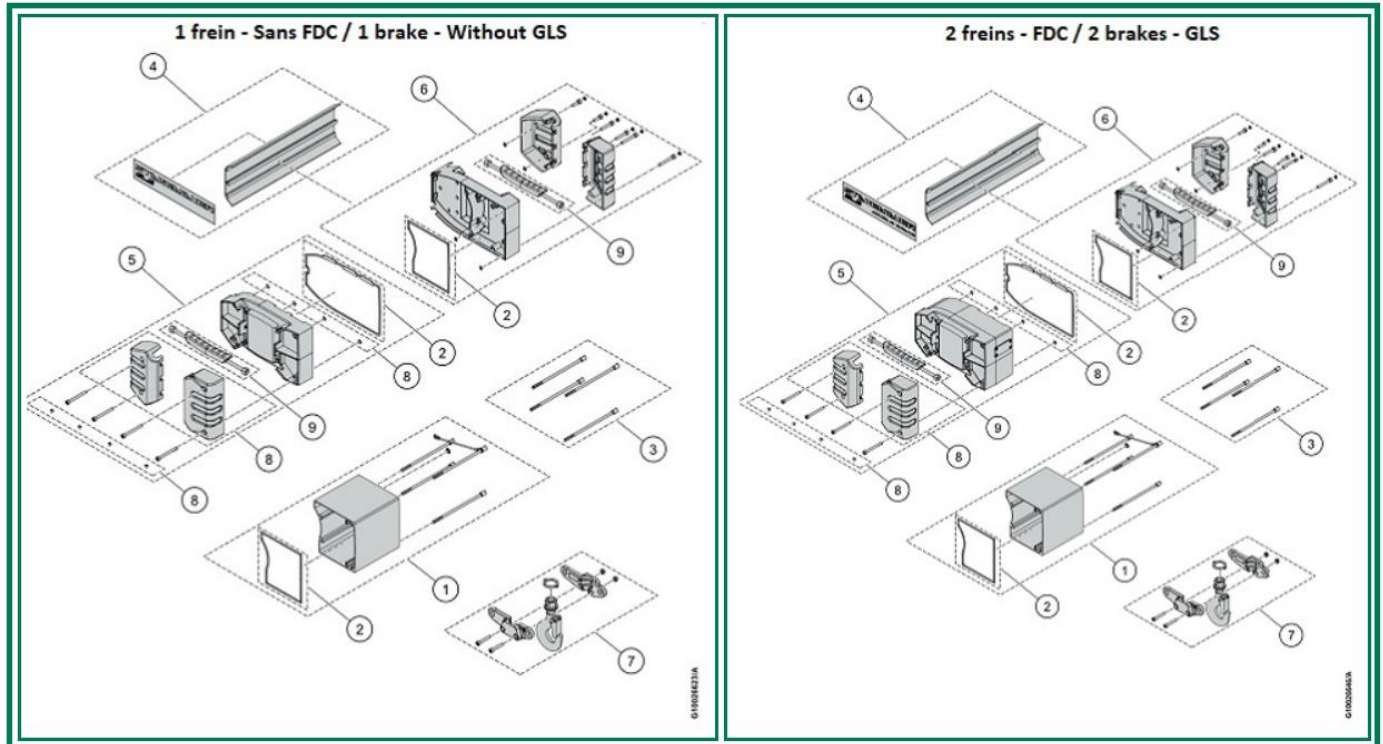
To avoid errors, when ordering please specify:

- Complete type of hoist
- Date of manufacture and serial number
- Spare part code
- Spare part designation
- Additional information



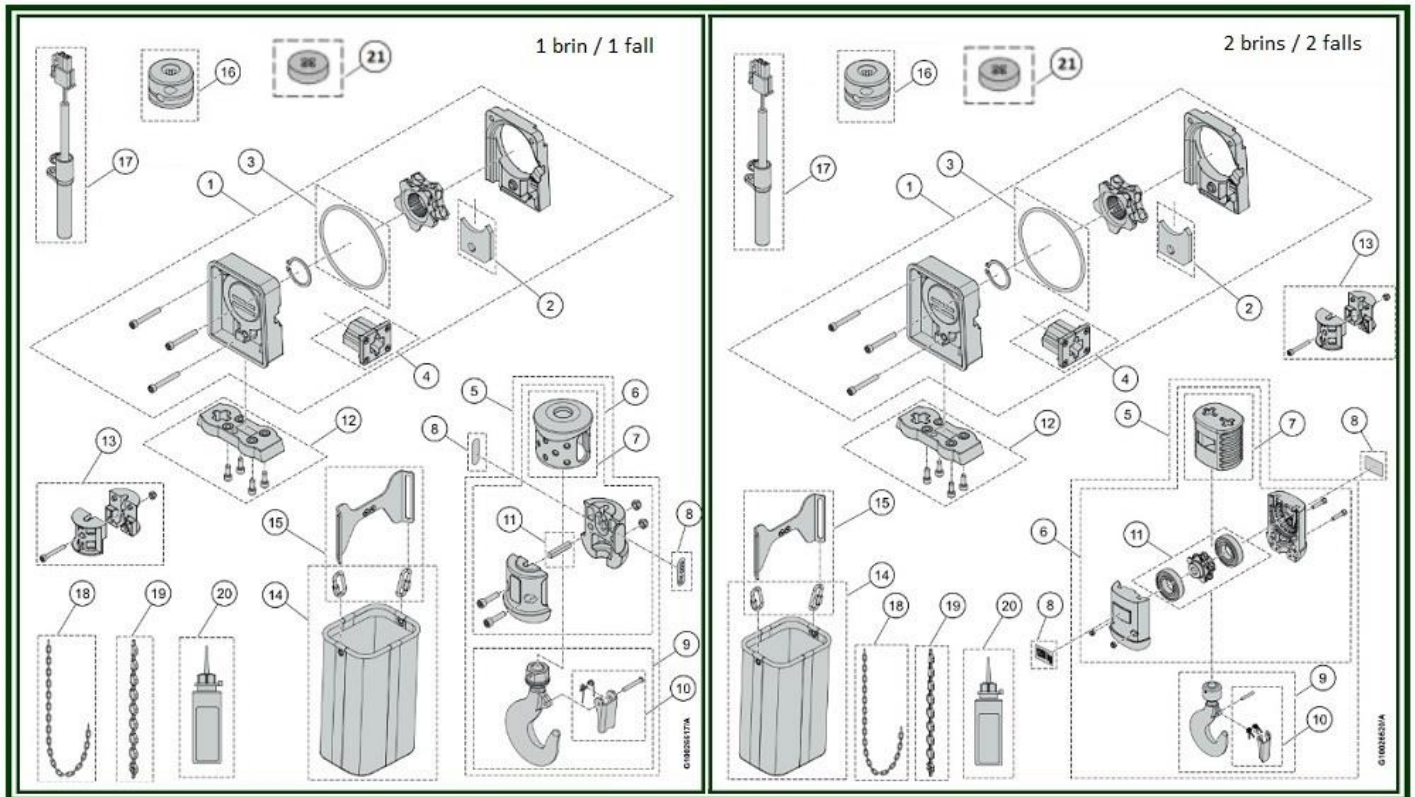
<b>1. FRAME .....</b>	<b>2</b>
<b>2. CHAIN GUIDE.....</b>	<b>3</b>
2.1. - 1 fall.....	4
2.2. - 2 falls .....	6
<b>3. GEAR.....</b>	<b>8</b>
<b>4. MOTOR .....</b>	<b>10</b>
<b>5. ELECTRICAL PARTS .....</b>	<b>12</b>

## 1. FRAME

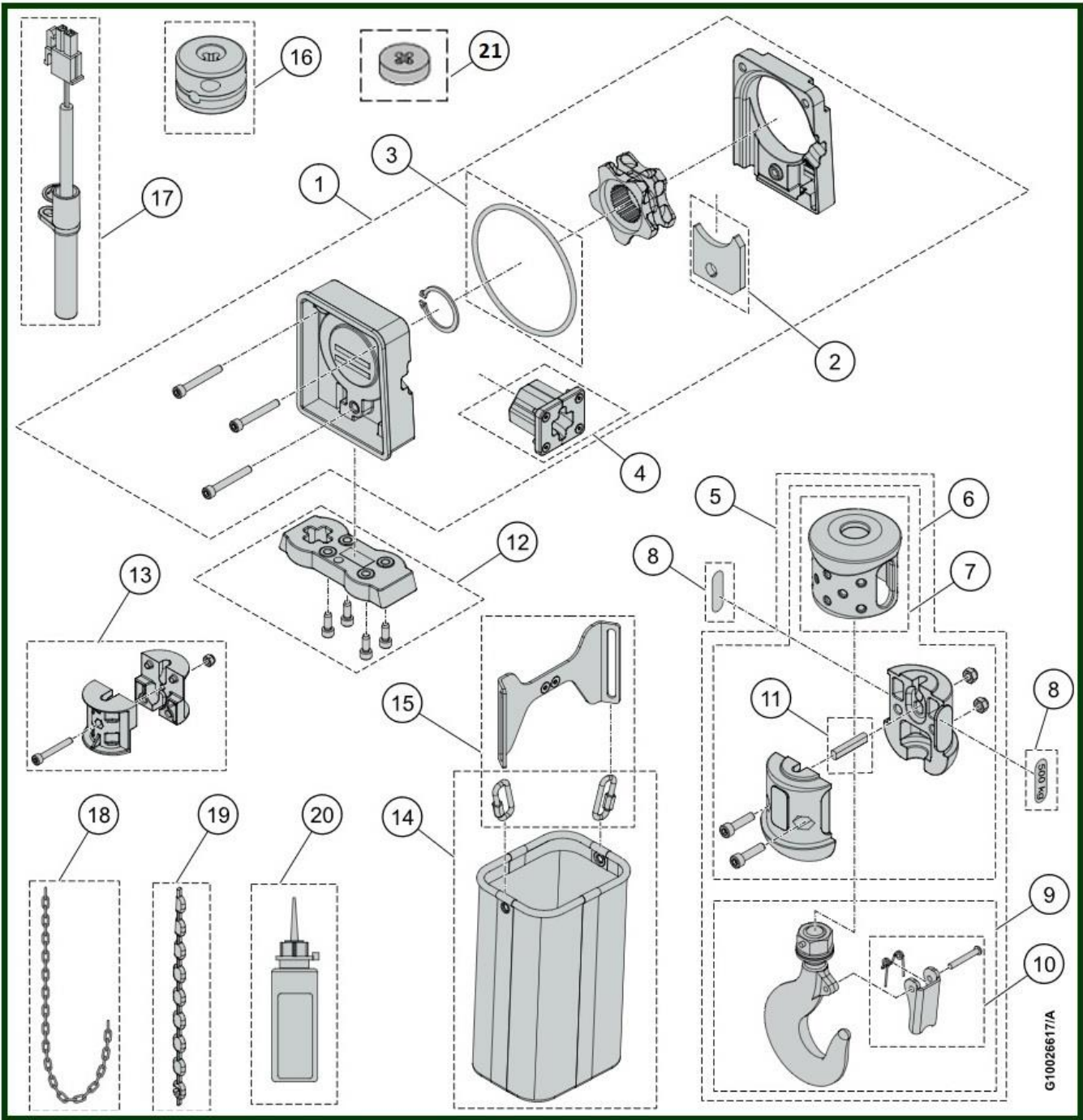


Item	Reference	Description	Observation	Quantity
1	<a href="#">VT0013076</a>	Housing module		1
2	<a href="#">VT0014441</a>	Sealing set		1
3	<a href="#">VT0007015</a>	Screw set		1
4	<a href="#">VT0014442</a>	Front cover - Short		1
4	<a href="#">VT0014443</a>	Front cover - Long		1
5	<a href="#">VT0014444</a>	Cover - Brake side	1 brake	1
5	<a href="#">VT0014445</a>	Cover - Brake side - 4 cams	2 brakes	1
6	<a href="#">VT0014461</a>	Cover - Motor side		1
7	<a href="#">VT0014501</a>	Upper suspension	Bracket - option	1
7	<a href="#">VT0017982</a>	Upper suspension	Option - Fixed hook	1
7	<a href="#">VT0014481</a>	Upper suspension	Swivel hook	1
8	<a href="#">VT0014526</a>	Buffer		1
9	<a href="#">VT0014527</a>	Handle		1
	<a href="#">VT0006945</a>	Rain cover		1

## 2. CHAIN GUIDE



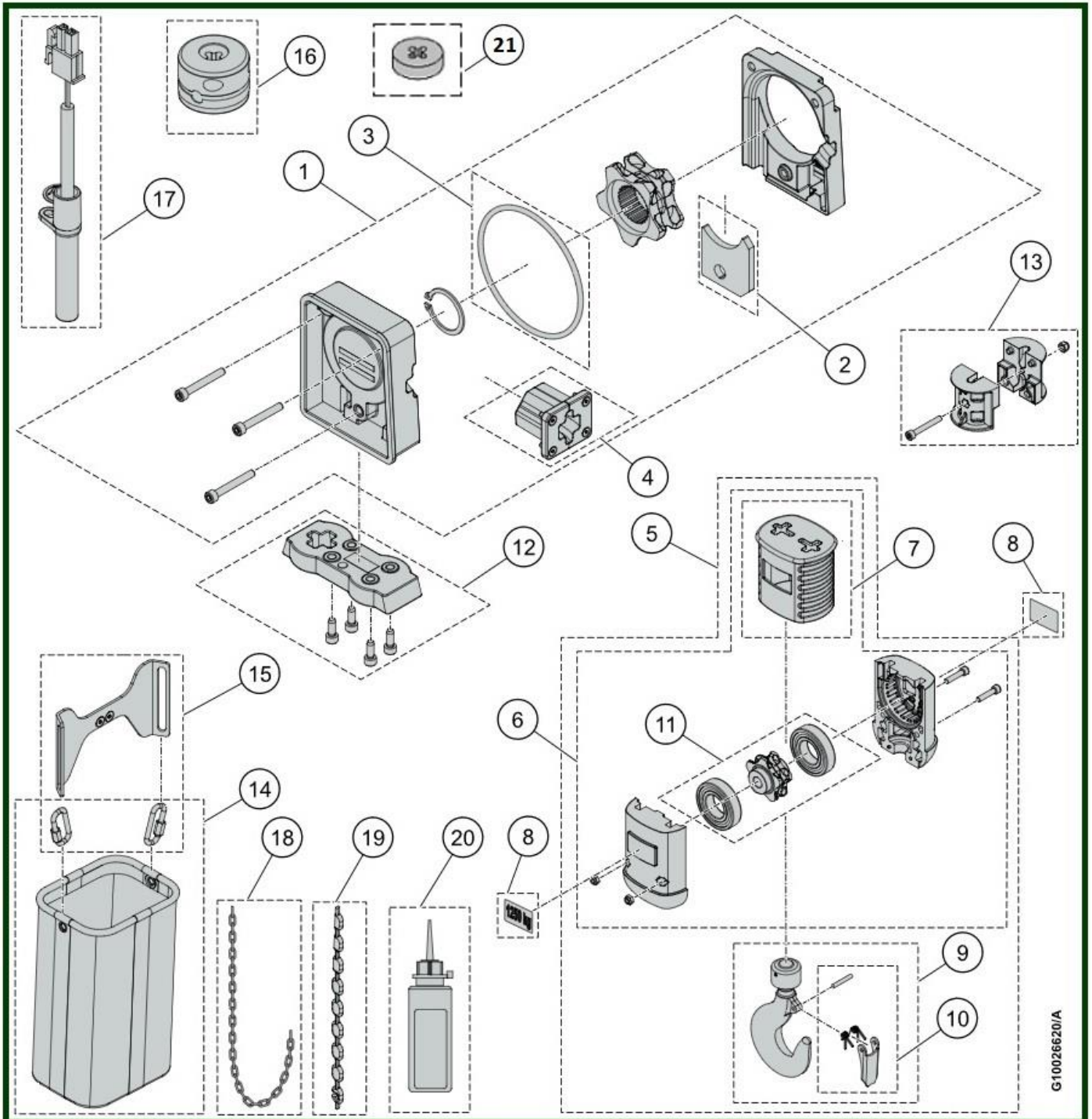
2.1. - 1 fall



Chain guide - 1 fall

Item	Reference	Description	Observation	Quantity
1	<a href="#">VT0014324</a>	Chain guide		1
2	<a href="#">VT0014581</a>	Chain ejector		1
3	<a href="#">VT0013091</a>	Round seal		1
4	<a href="#">VT0014382</a>	External chain guide		1
5	<a href="#">VT0014344</a>	Hook block	1 fall	1
6	<a href="#">VT0014402</a>	Hook component	1 fall	1
7	<a href="#">VT0013095</a>	Rubber chain stop	1 fall	1
8	<a href="#">VT0014322</a>	Set of 10 load plates - Hook	1/2 TON - 1 fall	1
8	<a href="#">VT0014323</a>	Set of 10 load plates - Hook	1 TON - 1 fall	1
8	<a href="#">VT0006388</a>	Set of 10 load plates - Hook	500 Kg - 1 fall	1
8	<a href="#">VT0014241</a>	Set of 10 load plates - Hook	630 Kg - 1 fall	1
8	<a href="#">VT0006389</a>	Set of 10 load plates - Hook	1000 Kg - 1 fall	1
9	<a href="#">VT0006372</a>	Hook assembly	1 fall	1
10	<a href="#">VT0005903</a>	Safety latch	Standard hook	1
11	<a href="#">VT0006371</a>	Pin		1
12	<a href="#">VT0014381</a>	Chain deflector		1
13	<a href="#">VT0013100</a>	Chain stop		1
14	<a href="#">VT0014341</a>	Chain bag	20 m	1
14	<a href="#">VT0014342</a>	Chain bag	50 m	1
15	<a href="#">VT0014343</a>	Chain bag fixing set		1
16	<a href="#">VT0007404</a>	Limit switch activator		1
17	<a href="#">VT0014601</a>	Magnetic limit switch set		1
18	<a href="#">VT0014362</a>	Chain	Grade 100	1
18	<a href="#">VT0014361</a>	Chain	T	1
19	<a href="#">VT0013216</a>	Chain link		1
20	<a href="#">VT0006025</a>	Oil can		1
20	<a href="#">VT0009509</a>	Grease tube		1
21	<a href="#">VT0019902</a>	Rubber buffer	Version A & B	2

2.2. - 2 falls

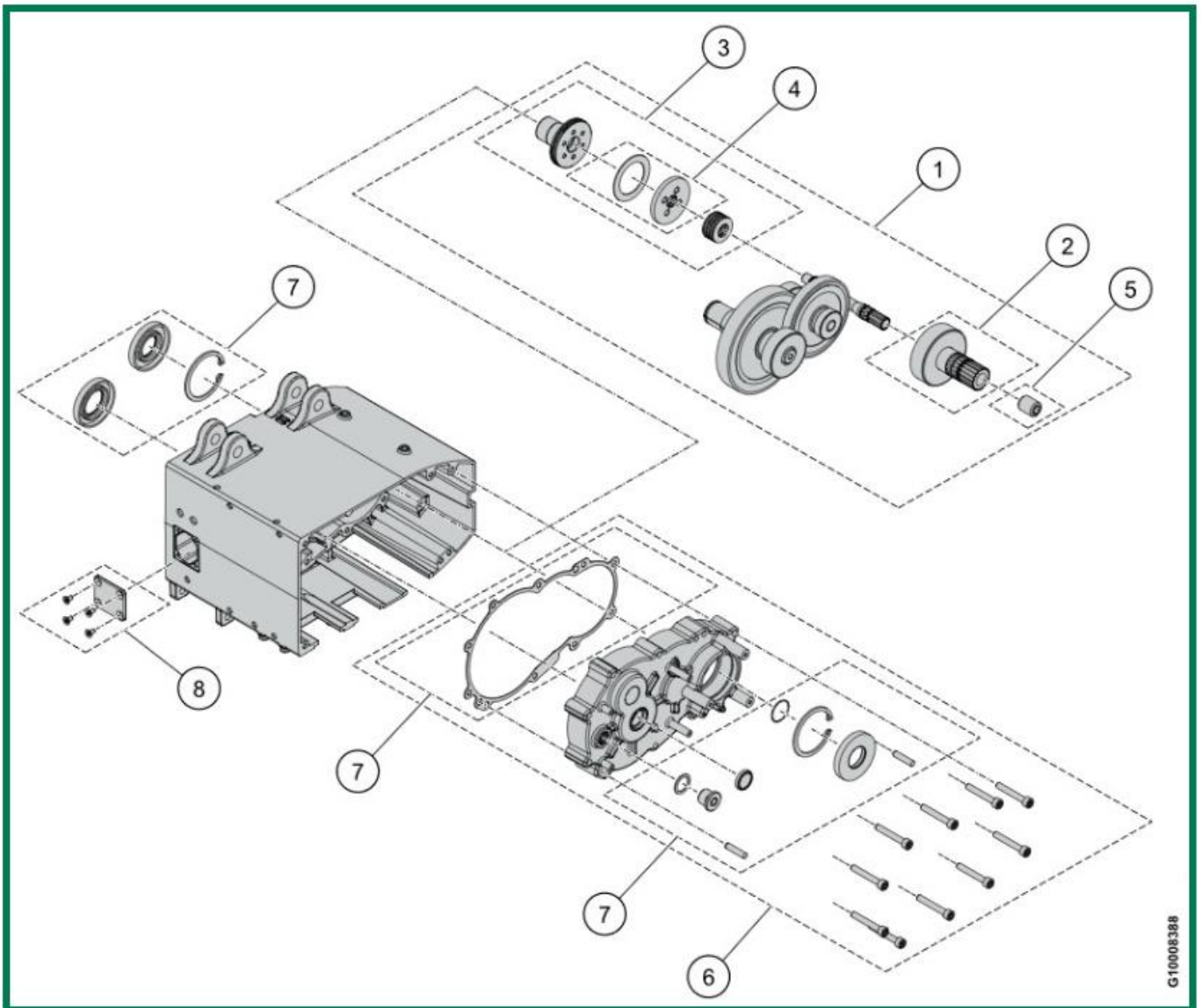


G10026620/A

Chain guide – 2 falls

Item	Reference	Description	Observation	Quantity
1	<a href="#">VT0014324</a>	Chain guide		1
2	<a href="#">VT0014581</a>	Chain ejector		1
3	<a href="#">VT0013091</a>	Round seal		1
4	<a href="#">VT0014382</a>	External chain guide		1
5	<a href="#">VT0014345</a>	Hook block	2 falls	1
6	<a href="#">VT0014401</a>	Hook component	2 falls	1
7	<a href="#">VT0013096</a>	Rubber chain stop	2 falls	1
8	<a href="#">VT0014261</a>	Set of 10 load plates - Hook	1250 Kg - 2 falls	1
8	<a href="#">VT0014281</a>	Set of 10 load plates - Hook	1600 Kg - 2 falls	1
8	<a href="#">VT0014301</a>	Set of 10 load plates - Hook	2000 Kg - 2 falls	1
8	<a href="#">VT0014321</a>	Set of 10 load plates - Hook	2500 Kg - 2 falls	1
9	<a href="#">VT0006374</a>	Hook assembly	2 falls	1
10	<a href="#">VT0005902</a>	Safety latch	RSN08 SR10 : 2 falls - SR25 : 1 fall	1
11	<a href="#">VT0014403</a>	Return Sprocket		1
12	<a href="#">VT0014381</a>	Chain deflector		1
13	<a href="#">VT0013100</a>	Chain stop		1
14	<a href="#">VT0014341</a>	Chain bag	20 m	1
14	<a href="#">VT0014342</a>	Chain bag	50 m	1
15	<a href="#">VT0014343</a>	Chain bag fixing set		1
16	<a href="#">VT0007404</a>	Limit switch activator		1
17	<a href="#">VT0014601</a>	Magnetic limit switch set		1
18	<a href="#">VT0014362</a>	Chain	Grade 100	1
18	<a href="#">VT0014361</a>	Chain	T	1
19	<a href="#">VT0013216</a>	Chain link		1
20	<a href="#">VT0006025</a>	Oil can		1
20	<a href="#">VT0009509</a>	Grease tube		1
21	<a href="#">VT0019902</a>	Rubber buffer	Version A & B	2

### 3. GEAR

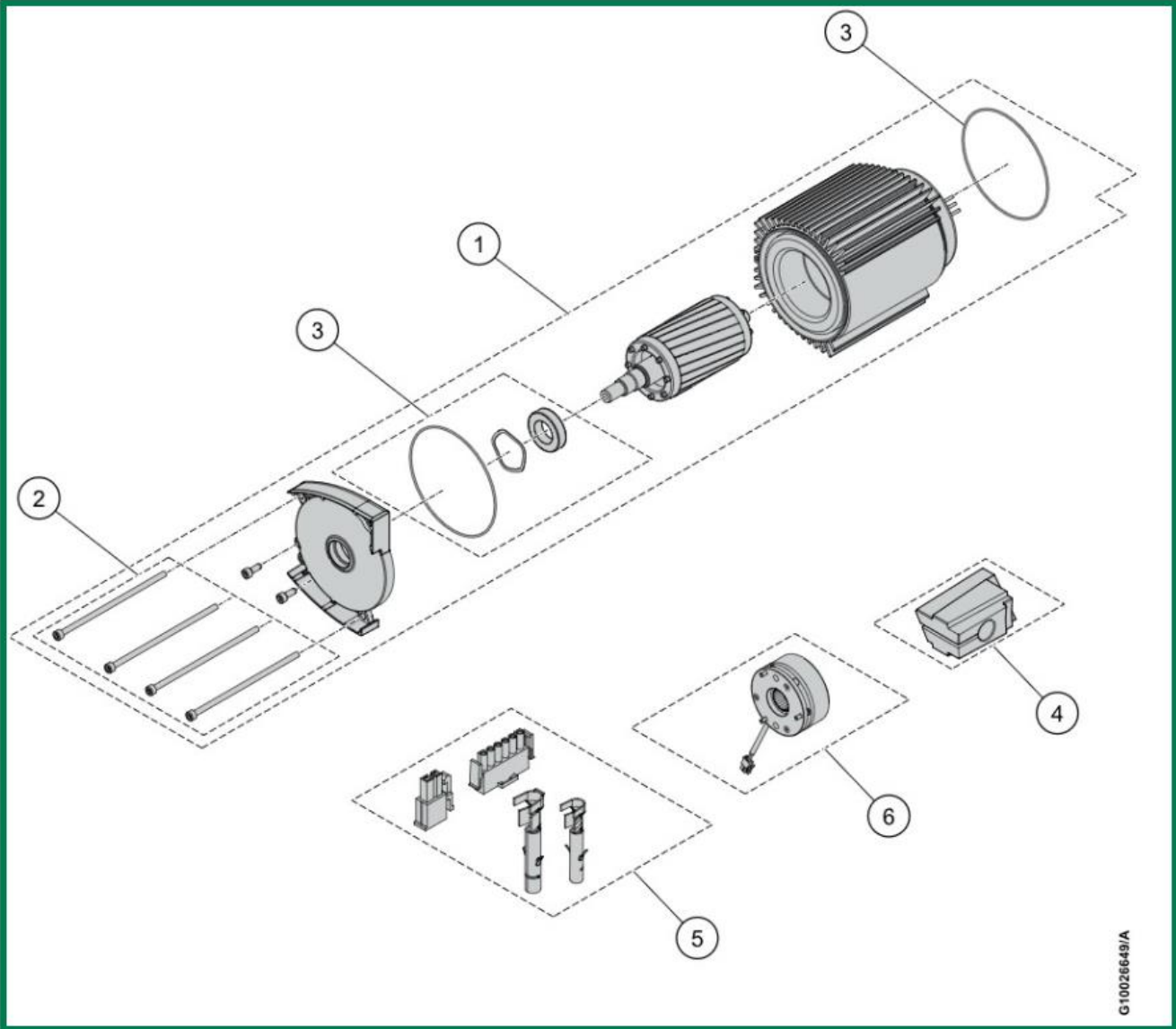




Gear

Item	Reference	Description	Observation	Quantity
1	<a href="#">VT0013120</a>	Gear pinion set	Standard - 4m/min - 1 brake	1
1	<a href="#">VT0013121</a>	Gear pinion set	Standard - 6m/min - 1 brake	1
1	<a href="#">VT0013122</a>	Gear pinion set	Standard - 8m/min - 1 brake	1
1	<a href="#">VT0013123</a>	Gear pinion set	Standard - 12m/min - 1 brake	1
1	<a href="#">VT0013124</a>	Gear pinion set	Standard - 16m/min - 1 brake	1
1	<a href="#">VT0013125</a>	Gear pinion set	Standard - 24m/min - 1 brake	1
2	<a href="#">VT0013126</a>	Brake hub set		1
3	<a href="#">VT0013127</a>	Clutch		1
4	<a href="#">VT0013128</a>	Friction disc		1
5	<a href="#">VT0012563</a>	Screw set		1
6	<a href="#">VT0013129</a>	Gear box housing set	Standard	1
7	<a href="#">VT0013136</a>	Sealing set		1
8	<a href="#">VT0013092</a>	Cap assembly		1

**4. MOTOR**

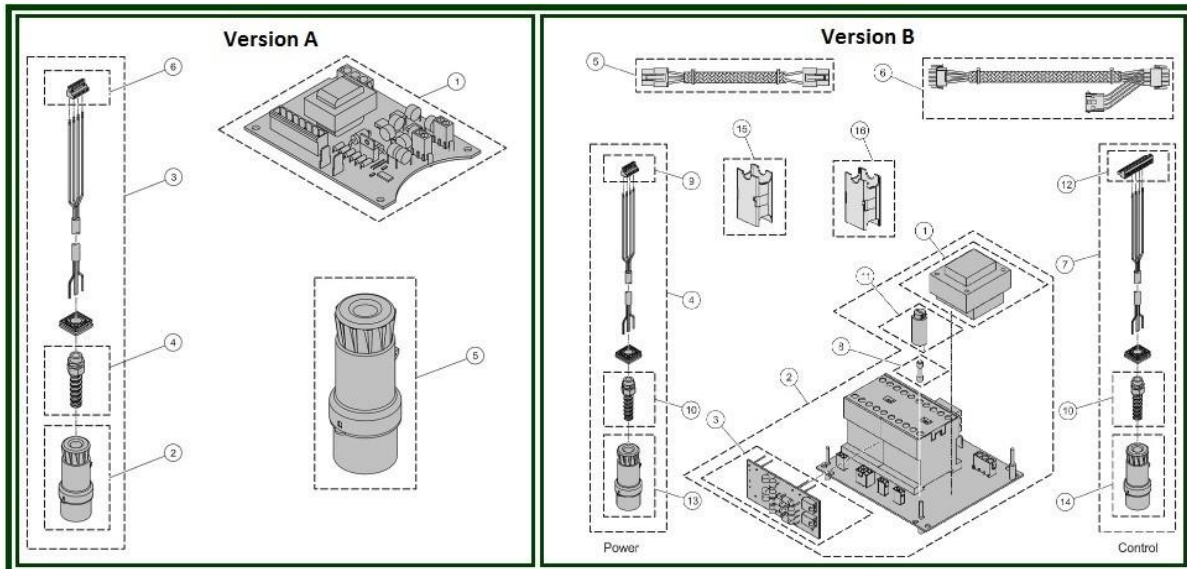


G10026649/A

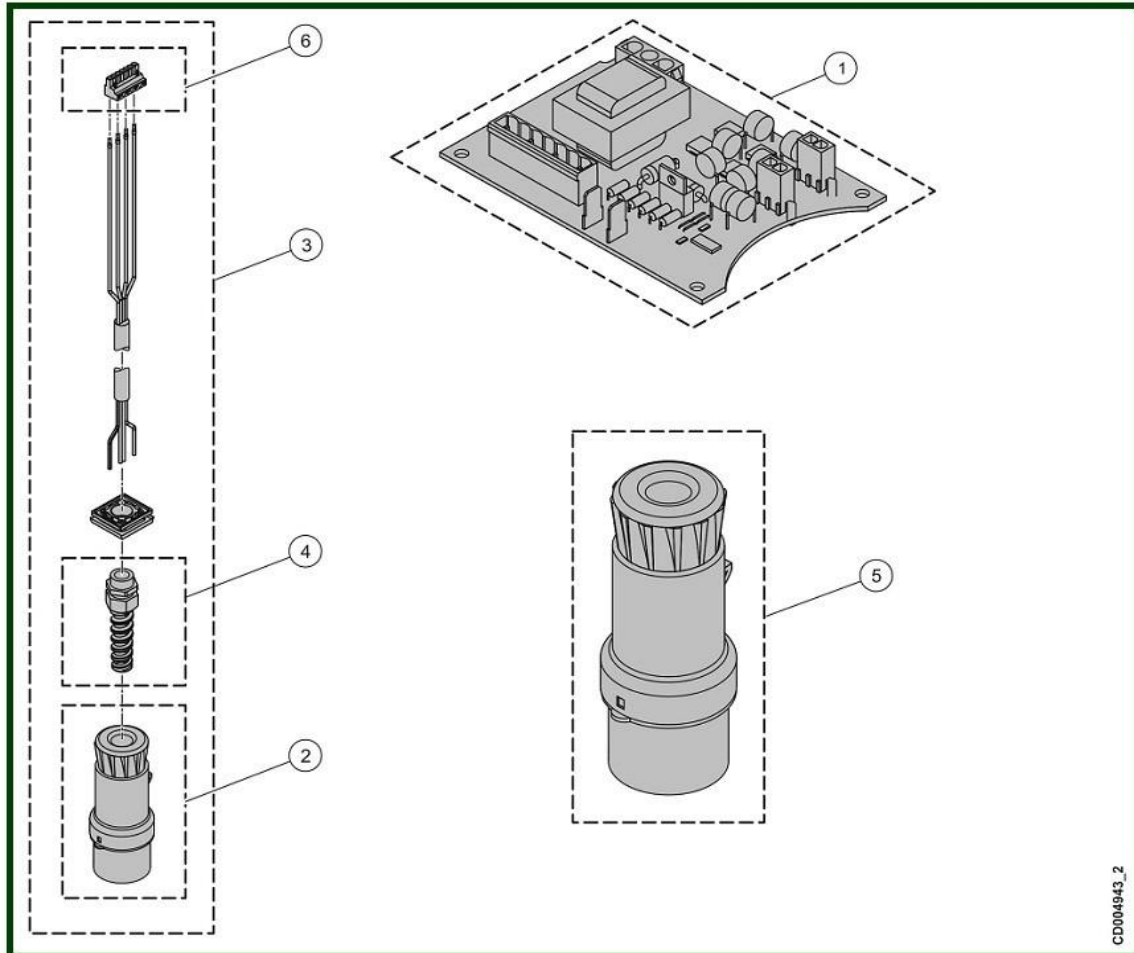
Motor

Item	Reference	Description	Observation	Quantity
1	<u>VT0014525</u>	Motor 380-415V / 50Hz	MT10NB200-209P37005E-IP55	1
2	<u>VT0010556</u>	Screw set		1
3	<u>VT0013141</u>	Sealing + Bearing set		1
4	<u>VT0013138</u>	Rubber		1
5	<u>VT0012758</u>	Motor connectors		1
6	<u>VT0008039</u>	Double brakes	103V	1
6	<u>VT0008040</u>	Double brakes	190V	1
6	<u>VT0014523</u>	Double brakes	255V	1
6	<u>VT0014524</u>	Double brakes	320V	1
6	<u>VT0008037</u>	Single brake	103V	1
6	<u>VT0008038</u>	Single brake	190V	1
6	<u>VT0014521</u>	Single brake	255V	1
6	<u>VT0014522</u>	Single brake	320V	1

## 5. ELECTRICAL PARTS

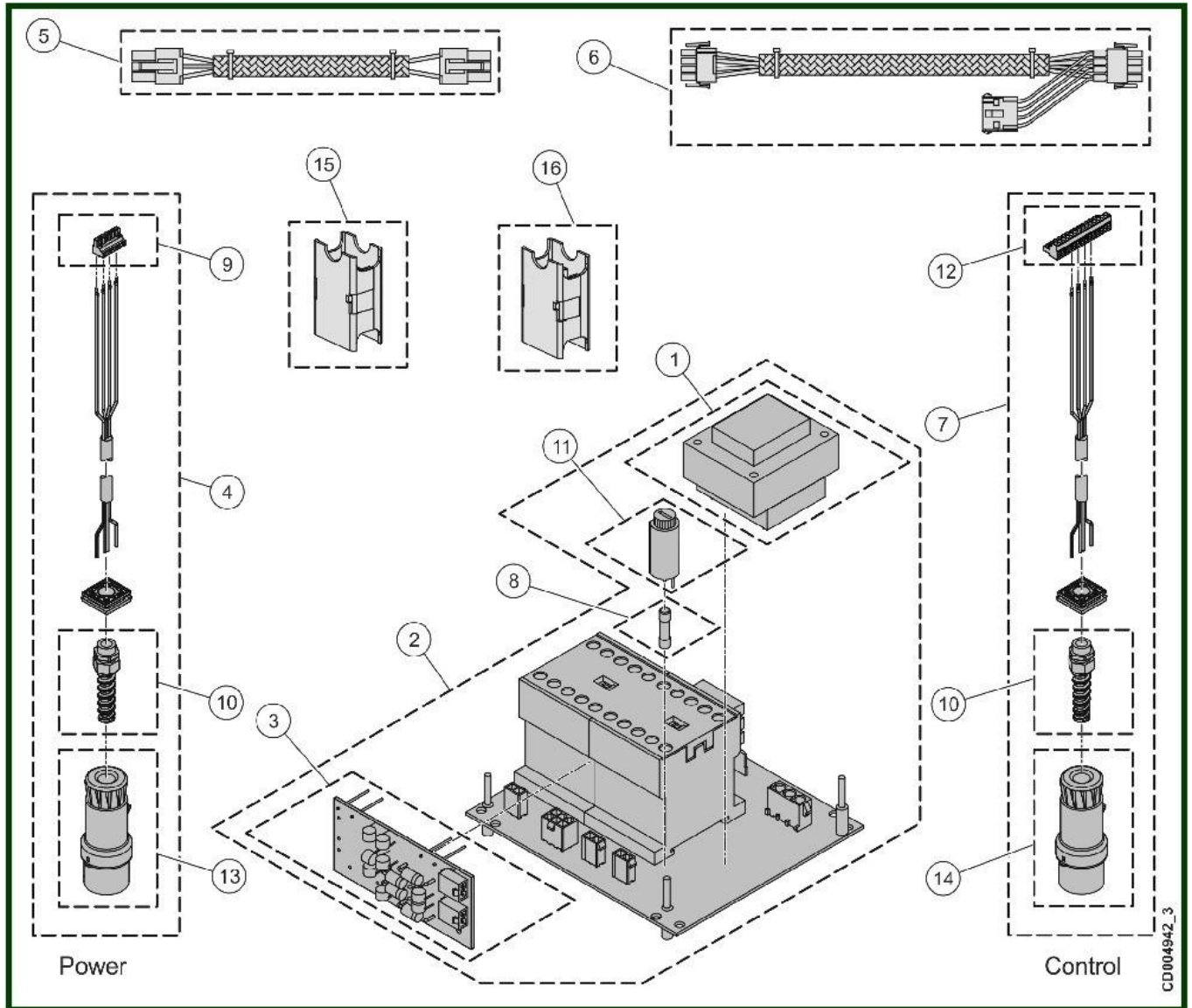


### 5.1. Version A



Item	Reference	Description	Observation	Quantity
1	<a href="#">VT0006000</a>	ACF card	1 speed	1
2	<a href="#">VT0006087</a>	Power supply male blue plug	230V / 3P+T EXCEPT USA	1
2	<a href="#">VT0006086</a>	Power supply male red plug	400V/3P+T EXCEPT USA	1
3	<a href="#">VT0006078</a>	Power supply male blue plug with cable	230V / 3P+T / 50-60Hz EXCEPT USA	1
3	<a href="#">VT0006076</a>	Power supply male red plug with cable	400V / 3P+T / 380-415V / 50-60Hz EXCEPT USA	1
4	<a href="#">VT0006399</a>	Spiral cable gland	EXCEPT USA	1
5	<a href="#">VT0006085</a>	Female blue plug	230V / 3P+T	1
5	<a href="#">VT0006001</a>	Female red plug	400V / 3P+T	1
6	<a href="#">VT0005107</a>	Power connector - 4 P	CE /SX07 /SCPB - 1 speed	1

### 5.2. Version B



Electrical parts – B Version

Item	Reference	Description	Observation	Quantity
1	<a href="#">VT0006193</a>	Transformer - 208V / 115V		1
1	<a href="#">VT0006407</a>	Transformer - 230V / 48V		1
1	<a href="#">VT0006408</a>	Transformer - 230V / 115V		1
1	<a href="#">VT0006192</a>	Transformer - 400V / 48V		1
1	<a href="#">VT0006406</a>	Transformer - 460V / 115V		1
2	<a href="#">VT0006097</a>	Electrical board - 1 speed - 2 brakes	208V / 50-60Hz / 115V	1
2	<a href="#">VT0006404</a>	Electrical board - 1 speed - 2 brakes	230V / 50Hz / 48V	1
2	<a href="#">VT0006405</a>	Electrical board - 1 speed - 2 brakes	230V / 50Hz / 115V	1
2	<a href="#">VT0006099</a>	Electrical board - 1 speed - 2 brakes	400V / 50Hz / 48V	1
2	<a href="#">VT0006098</a>	Electrical board - 1 speed - 2 brakes	460V / 50-60Hz / 115V	1
3	<a href="#">VT0004947</a>	Rectifier - 2 brakes	208V - 690V	1
4	<a href="#">VT0006078</a>	Power supply male blue plug with cable	230V / 3P+T / 50-60HZ EXCEPT USA	1
4	<a href="#">VT0006076</a>	Power supply male red plug with cable	400V / 3P+T / 380 - 415V / 50-60HZ EXCEPT USA	1
5	<a href="#">VT0004949</a>	Wire harness / plug control voltage		1
6	<a href="#">VT0004950</a>	Wire harness / plug control voltage		1
7	<a href="#">VT0006409</a>	Control yellow plug with cable	EXCEPT USA	1
8	<a href="#">VT0006194</a>	Fuses set - 48V		1
8	<a href="#">VT0006195</a>	Fuses set - 115V		1
9	<a href="#">VT0005107</a>	Power connector - 4 P	CE /SX07 /SCPB 1 vitesse / 1 speed	1
10	<a href="#">VT0006399</a>	Spiral cable gland	EXCEPT USA	1
11	<a href="#">VT0006191</a>	Fuses bases		1
12	<a href="#">VT0006412</a>	Control connector - 5 P	721-2105	1
13	<a href="#">VT0006087</a>	Power supply male blue plug	230V / 3P+T EXCEPT USA	1
13	<a href="#">VT0006086</a>	Power supply male red plug	400V/3P+T EXCEPT USA	1
14	<a href="#">VT0006761</a>	Control yellow plug - Female		1
15	<a href="#">VT0006410</a>	Power adapter	208V-600V	1
16	<a href="#">VT0006411</a>	Control adapter	24V-230V	1