

Spare parts catalogue for "SR01"

To avoid errors, when ordering please specify:

Complete type of hoist

Date of manufacture and serial number

Spare part code

Spare part designation

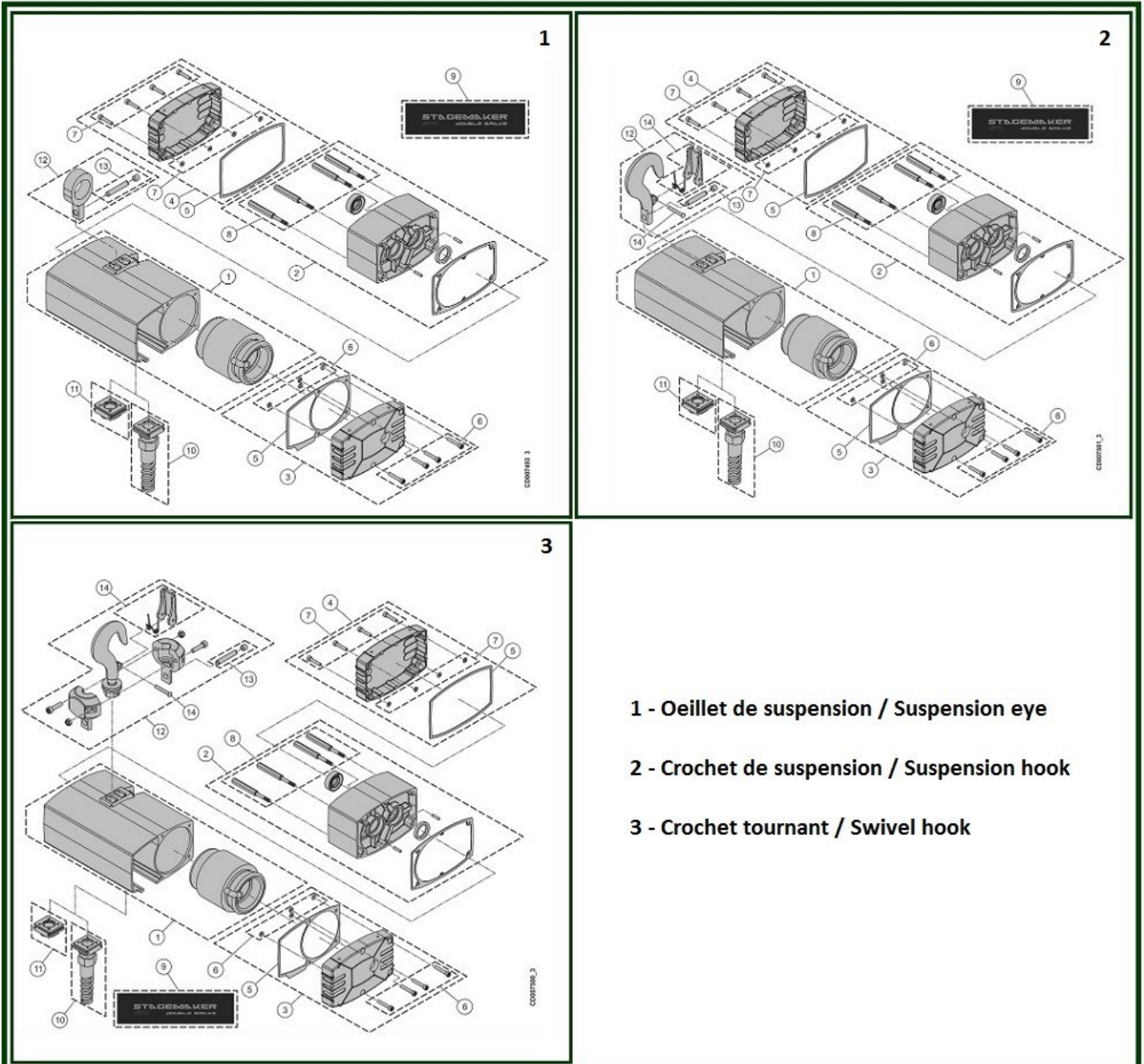
Additional information



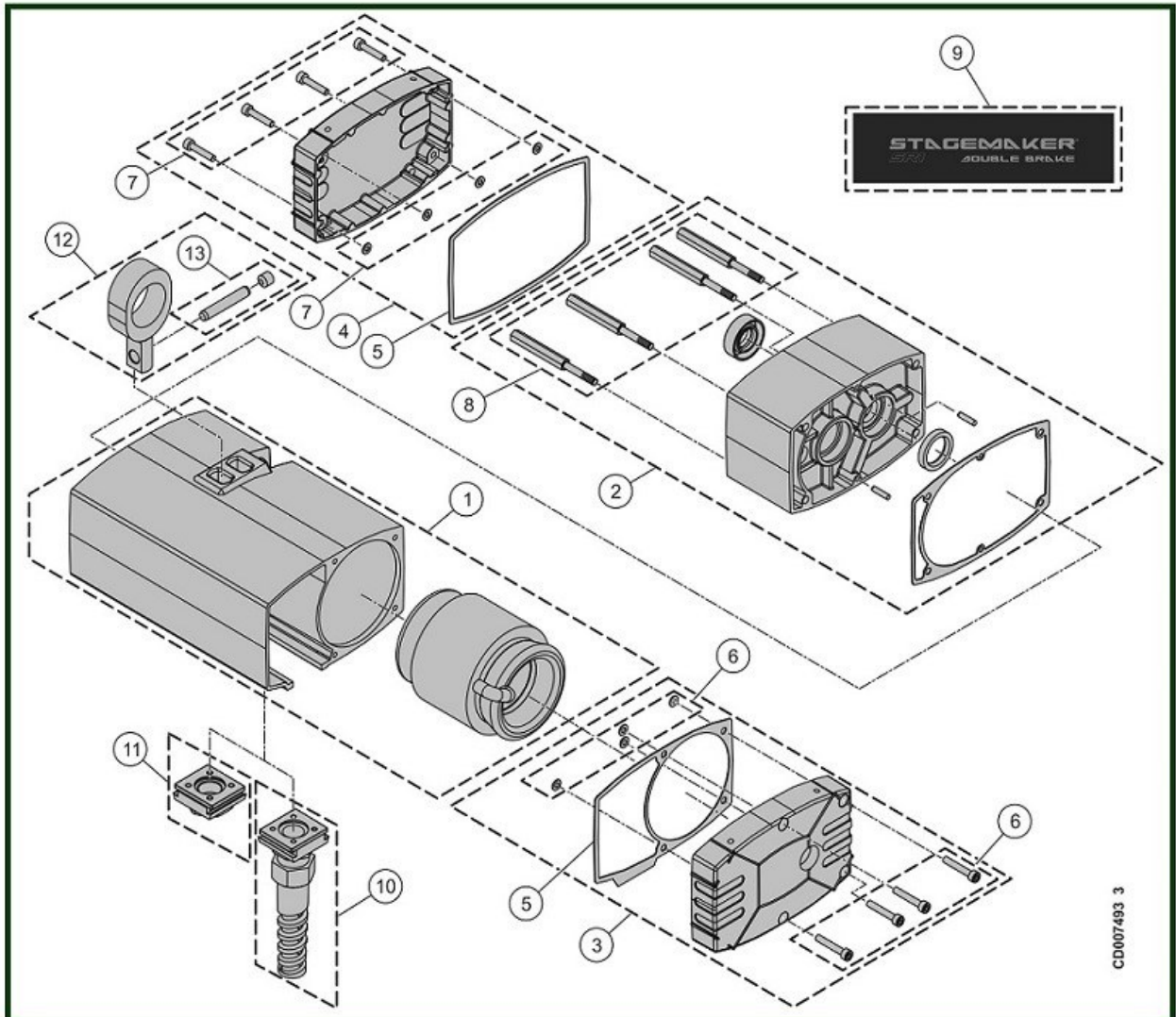
Table des matières

1. FRAME	3
1.1. Suspension eye	4
1.2. Suspension hook	6
1.3. Swivel hook.....	8
2. CHAIN GUIDE	10
2.1. Version A - 1 fall	11
2.2. Version A - 2 falls.....	13
2.3. Version B - 1 fall.....	15
2.4. Version B - 2 falls	17
3. GEAR.....	19
3.1. Single brake	20
3.2. Double brakes.....	22
4. ELECTRICAL PARTS.....	24
4.1. Version A	25
4.2. Version B with CE plug.....	27
4.3. Version B with HARTING plug.....	29

1. FRAME



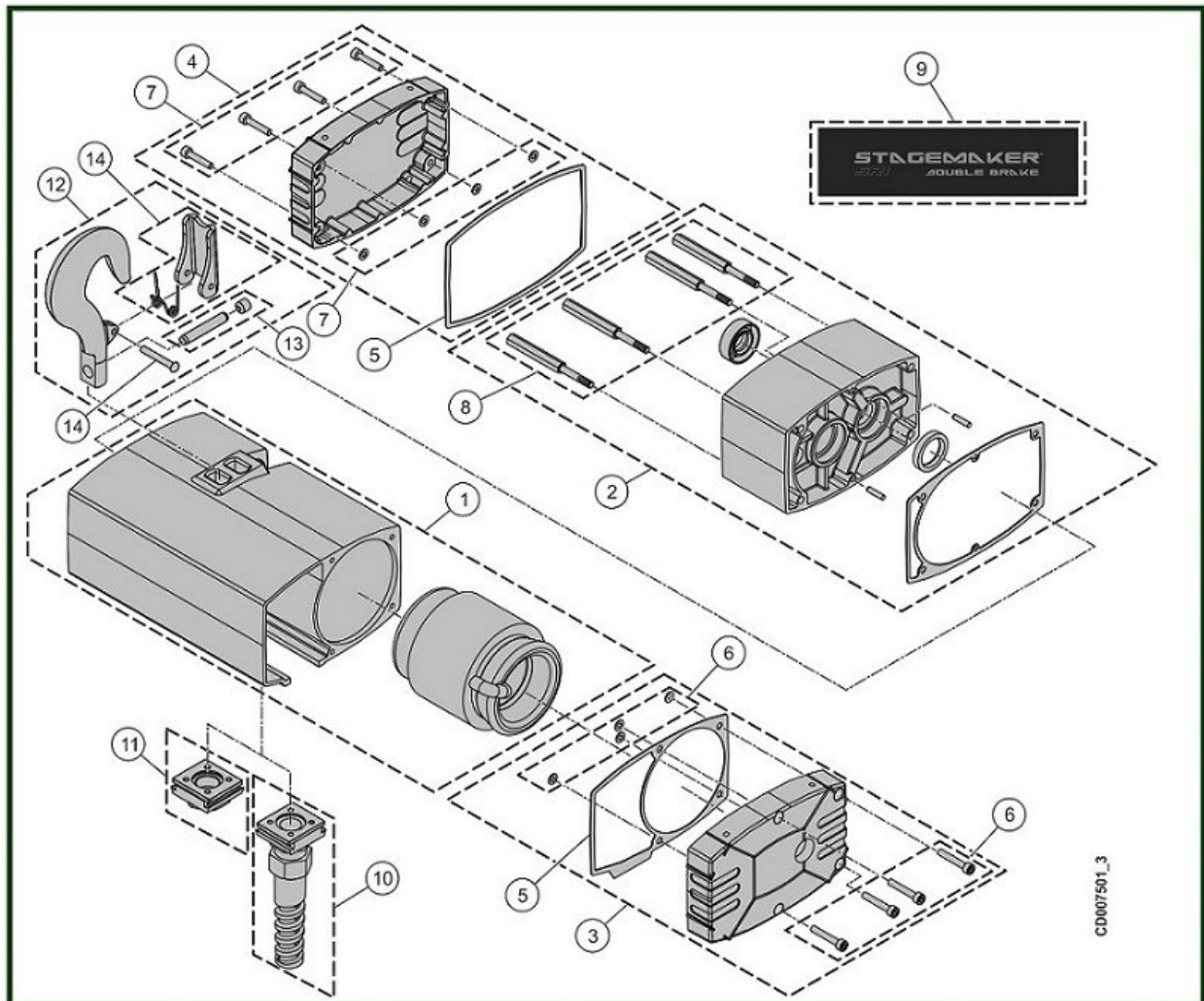
1.1. Suspension eye



FRAME – Suspension eye

Item	Reference	Description	Observation	Quantity
1	<u>VT0007170</u>	Stator module	208V 230V 60HZ 16 ² T	1
1	<u>VT0007171</u>	Stator module	230V 50HZ 15 ² T	1
1	<u>VT0007172</u>	Stator module	380V 400V 440V 50HZ 15 ² T 460V 480V 60HZ	1
2	<u>VT0007175</u>	Frame - Gear side	Double brakes	1
2	<u>VT0007176</u>	Frame - Gear side	Single brake	1
3	<u>VT0007185</u>	Cover set - Motor side		1
4	<u>VT0007151</u>	Cover set - Brake side		1
5	<u>VT0007177</u>	Sealing set		1
6	<u>VT0007186</u>	Screw set M5X30 - Motor side		1
7	<u>VT0007187</u>	Screw set M5X30 - Brake side		1
8	<u>VT0007198</u>	Screw set	Double brakes	1
8	<u>VT0007199</u>	Screw set	Single brake	1
9	<u>VT0007174</u>	Identification plate brand - Hoist	Double brakes	1
9	<u>VT0007173</u>	Identification plate brand - Hoist	Single brake	1
10	<u>VT0006950</u>	Cable gland - Square cable entry		1
11	<u>VT0007034</u>	End cap - Square cable entry	PE ISO 25	1
12	<u>VT0007227</u>	Suspension eye set		1
13	<u>VT0007230</u>	Shaft set		1
-	<u>VT0006026</u>	Identification plate	Serial number request	1
-	<u>VT0007190</u>	Rain Cover		1
-	<u>VT0007188</u>	Set of 2 handles		1

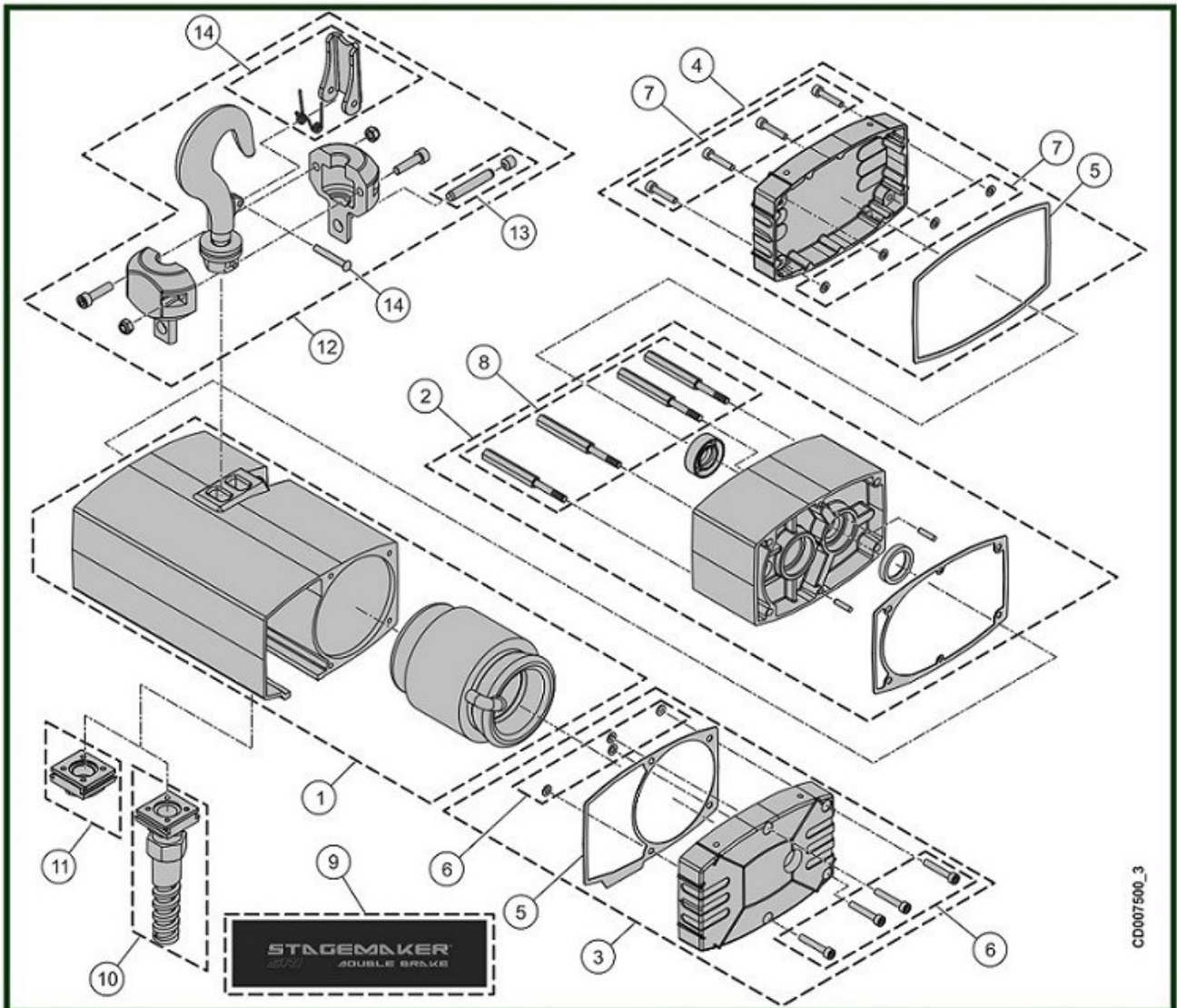
1.2. Suspension hook



FRAME – Suspension hook

Item	Reference	Description	Observation	Quantity
1	<u>VT0007170</u>	Stator module	208V 230V 60HZ 16 ² T	1
1	<u>VT0007171</u>	Stator module	230V 50HZ 15 ² T	1
1	<u>VT0007172</u>	Stator module	380V 400V 440V 50HZ 15 ² T 460V 480V 60HZ	1
2	<u>VT0007175</u>	Frame - Gear side	Double brakes	1
2	<u>VT0007176</u>	Frame - Gear side	Single brake	1
3	<u>VT0007185</u>	Cover set - Motor side		1
4	<u>VT0007151</u>	Cover set - Brake side		1
5	<u>VT0007177</u>	Sealing set		1
6	<u>VT0007186</u>	Screw set M5X30 - Motor side		1
7	<u>VT0007187</u>	Screw set M5X30 - Brake side		1
8	<u>VT0007198</u>	Screw set	Double brakes	1
8	<u>VT0007199</u>	Screw set	Single brake	1
9	<u>VT0007174</u>	Identification plate brand - Hoist	Double brakes	1
9	<u>VT0007173</u>	Identification plate brand - Hoist	Single brake	1
10	<u>VT0006950</u>	Cable gland - Square cable entry		1
11	<u>VT0007034</u>	End cap with square cable entry	PE ISO 25	1
12	<u>VT0007228</u>	Suspension hook		1
13	<u>VT0007230</u>	Shaft set		1
14	<u>VT0007197</u>	Safety latch	Swivel hook and suspension hook	1
-	<u>VT0006026</u>	Identification plate	Serial number request	1
-	<u>VT0007190</u>	Rain Cover		1
-	<u>VT0007188</u>	Set of 2 handles		1

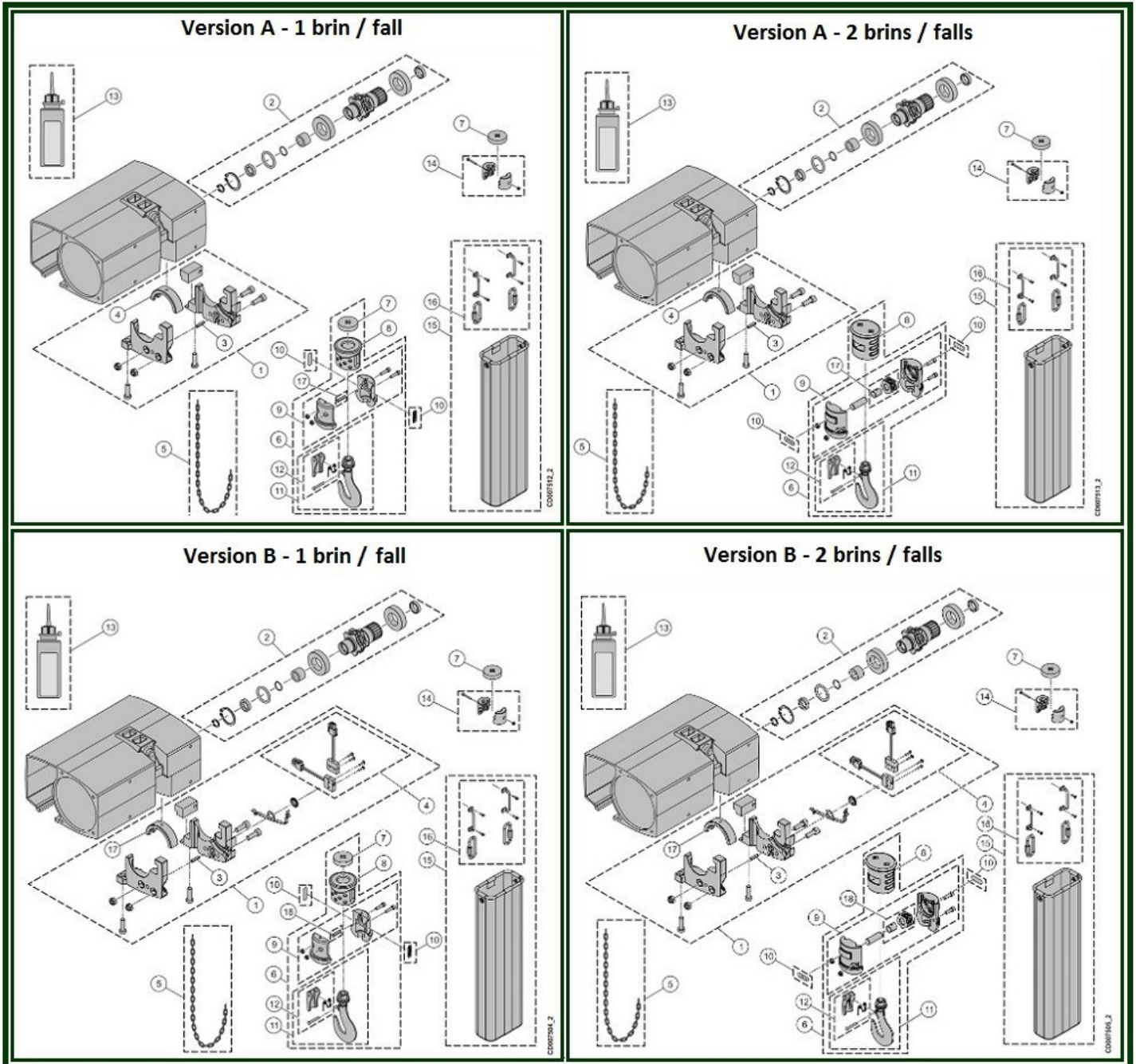
1.3. Swivel hook



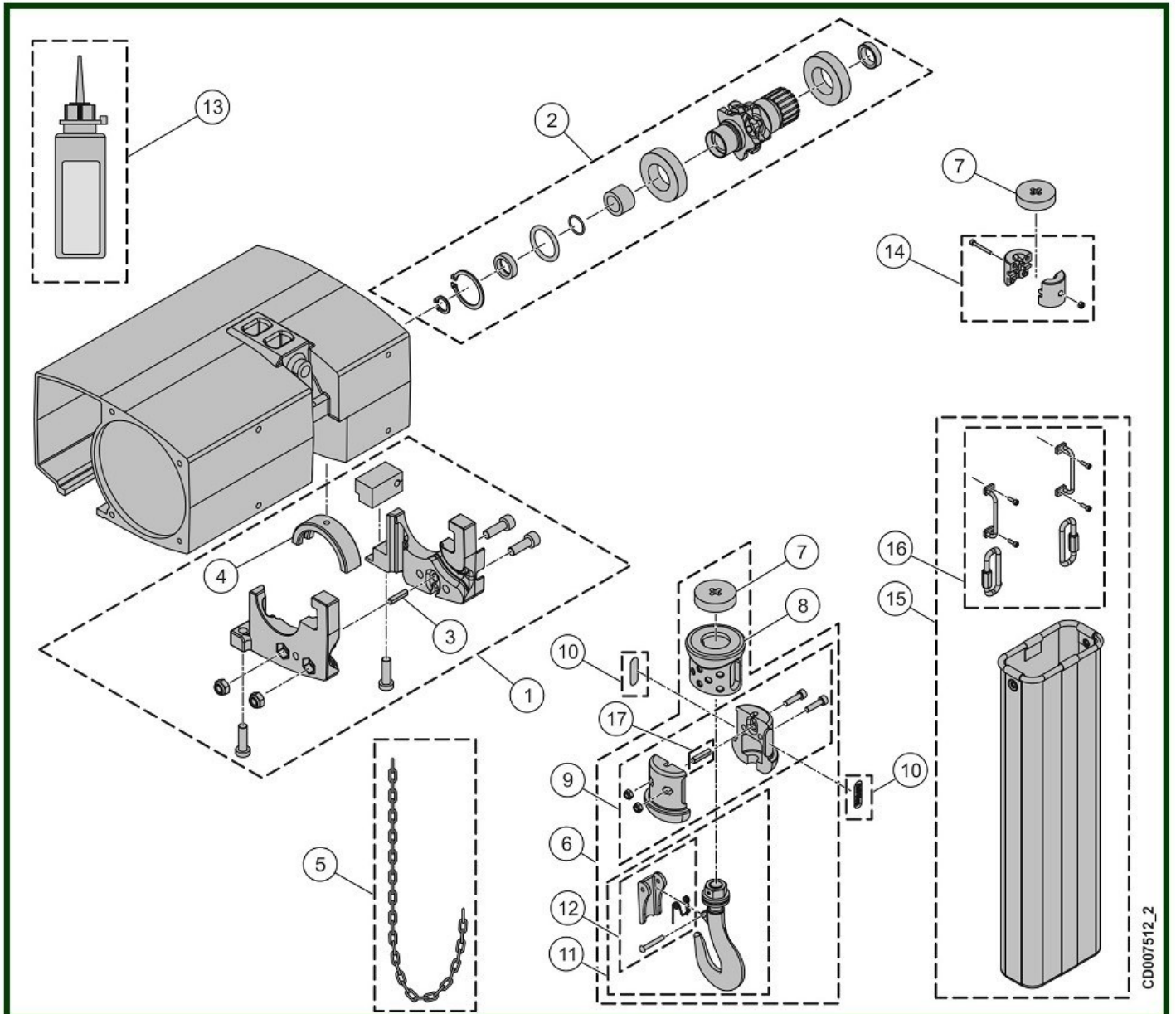
FRAME – Swivel hook

Item	Reference	Description	Observation	Quantity
1	<u>VT0007170</u>	Stator module	208V 230V 60HZ 16 ² T	1
1	<u>VT0007171</u>	Stator module	230V 50HZ 15 ² T	1
1	<u>VT0007172</u>	Stator module	380V 400V 440V 50HZ 15 ² T 460V 480V 60HZ	1
2	<u>VT0007175</u>	Frame - Gear side	Double brakes	1
2	<u>VT0007176</u>	Frame - Gear side	Single brake	1
3	<u>VT0007185</u>	Cover set - Motor side		1
4	<u>VT0007151</u>	Cover set - Brake side		1
5	<u>VT0007177</u>	Sealing set		1
6	<u>VT0007186</u>	Screw set M5X30 - Motor side		1
7	<u>VT0007187</u>	Screw set M5X30 - Brake side		1
8	<u>VT0007198</u>	Screw set	Double brakes	1
8	<u>VT0007199</u>	Screw set	Single brake	1
9	<u>VT0007174</u>	Identification plate brand - Hoist	Double brakes	1
9	<u>VT0007173</u>	Identification plate brand - Hoist	Single brake	1
10	<u>VT0006950</u>	Cable gland - Square cable entry		1
11	<u>VT0007034</u>	End cap - Square cable entry	PE ISO 25	1
12	<u>VT0007229</u>	Swivel hook		1
13	<u>VT0007230</u>	Shaft set		1
14	<u>VT0007197</u>	Safety latch	Swivel hook and suspension hook	1
-	<u>VT0006026</u>	Identification plate	Serial number request	1
-	<u>VT0007190</u>	Rain Cover		1
-	<u>VT0007188</u>	Set of 2 handles		1

2. CHAIN GUIDE



2.1. Version A - 1 fall

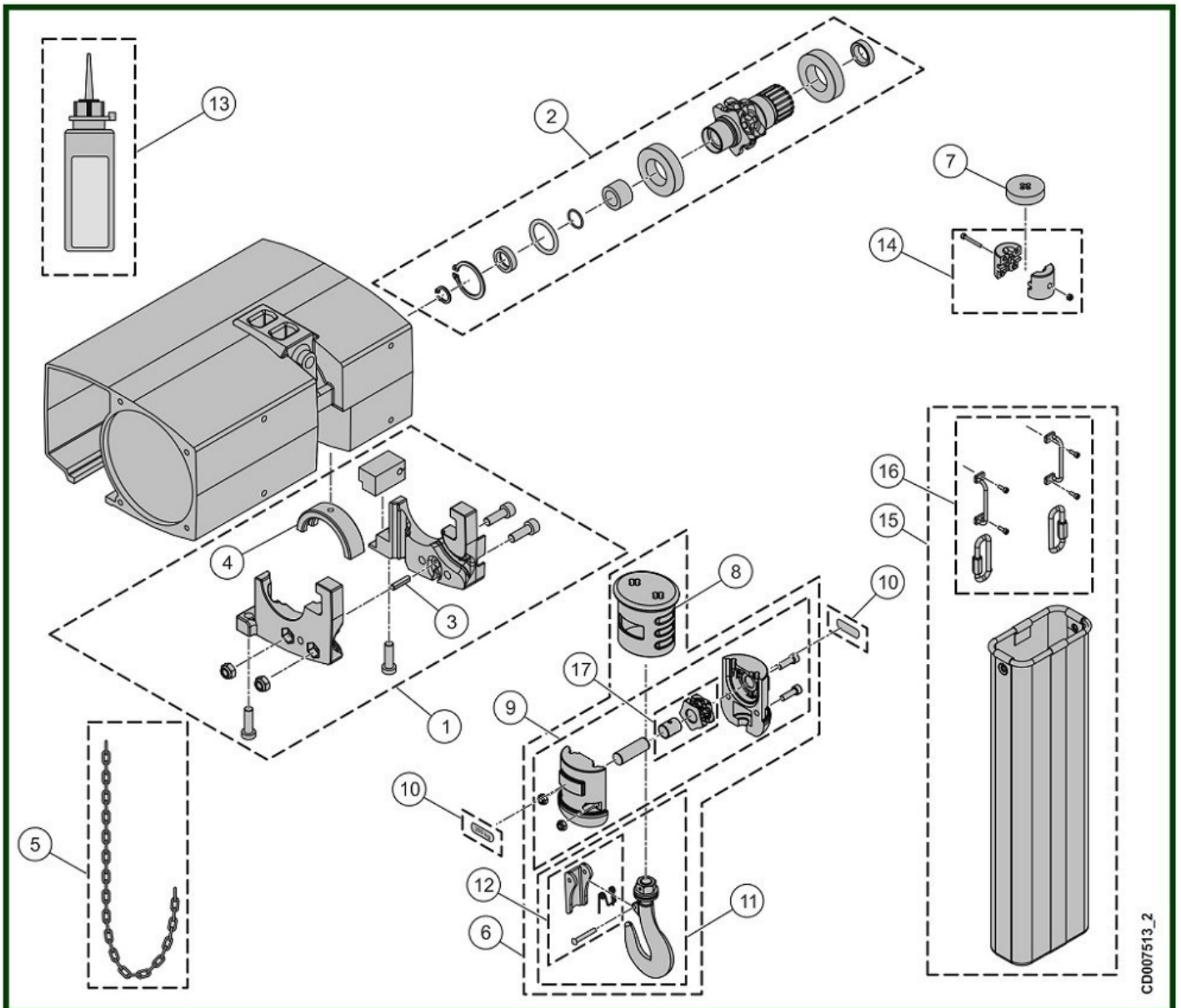


CD007512_2

CHAIN GUIDE – Version A – 1 fall

Item	Reference	Description	Observation	Quantity
1	<u>VT0007226</u>	Chain guide / assembly	Upper and lower	1
2	<u>VT0007202</u>	Chain sprocket		1
3 & 17	<u>VT0006093</u>	Pin		1
4	<u>VT0007178</u>	Upper chain guide		1
5	<u>VT0005997</u>	Black chain - 4x11		1
5	<u>VT0012840</u>	Black chain - 4x11	T100	1
6	<u>VT0007181</u>	Hook block automatic module	1 fall	1
6	<u>VT0007179</u>	Hook block standard module	1 fall	1
7	<u>VT0007711</u>	Buffer	Ø 40 - Ep./Th 10	1
8	<u>VT0007183</u>	Rubber sleeve	1 fall	1
9	<u>VT0007205</u>	Half casing set	1 fall	1
10	<u>VT0006996</u>	Set of 10 load plates	125 kg	1
10	<u>VT0006091</u>	Set of 10 load plates	250 kg	1
10	<u>VT0006031</u>	Set of 10 load plates	250 Kg - 4 m/min	1
10	<u>VT0007208</u>	Set of 10 load plates	500 Kg - 2 m/min	1
11	<u>VT0007184</u>	Hook standard lower	1+2 falls	1
11	<u>VT0006427</u>	Lower hook assembly	Automatic 1+2 falls	1
12	<u>VT0007197</u>	Safety latch	Swivel hook and suspension hook	1
13	<u>VT0006025</u>	Oil can		1
14	<u>VT0007215</u>	Chain stop		1
15	<u>VT0007218</u>	Chain bucket	16 m	1
15	<u>VT0007217</u>	Chain bucket	20 m	1
15	<u>VT0007216</u>	Chain bucket	30 m	1
16	<u>VT0007219</u>	Fixing set of hain bucket		1

2.2. Version A - 2 falls

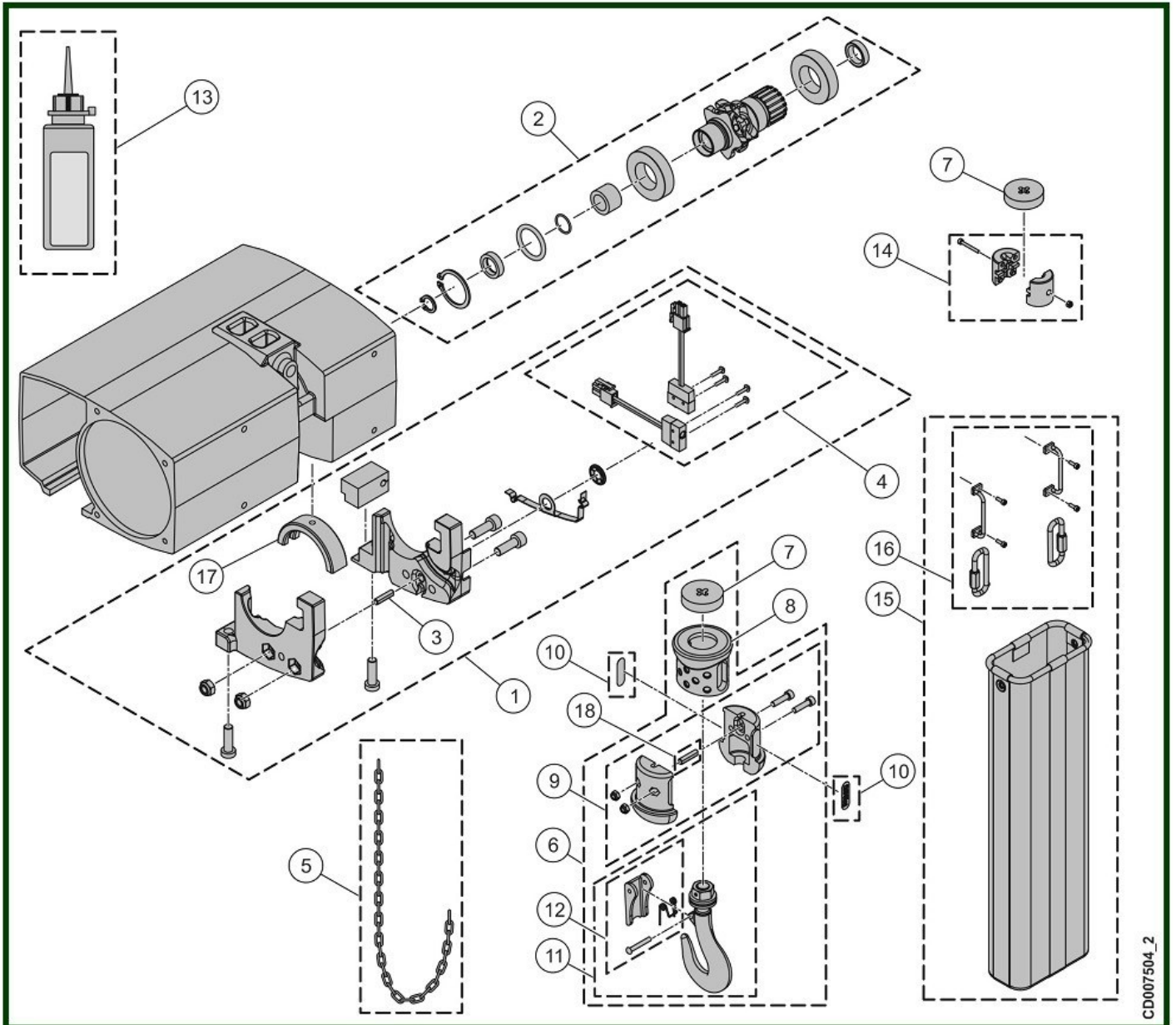


CD007513_2

CHAIN GUIDE – Version A – 2 falls

Item	Reference	Description	Observation	Quantity
1	<u>VT0007226</u>	Chain guide / assembly	Upper and lower	1
2	<u>VT0007202</u>	Chain sprocket		1
3	<u>VT0006093</u>	Pin		1
4	<u>VT0007178</u>	Upper chain guide		1
5	<u>VT0005997</u>	Black chain - 4x11		1
5	<u>VT0012840</u>	Black chain - 4x11	T100	1
6	<u>VT0007182</u>	Bottle block automatic module		1
6	<u>VT0007180</u>	Bottle block standard module	2 falls	1
7	<u>VT0007711</u>	Buffer	Ø 40 - Ep./Th 10	1
8	<u>VT0007191</u>	Rubber chain stop	2 falls	1
9	<u>VT0007206</u>	Half casing set	2 falls	1
10	<u>VT0006996</u>	Set of 10 load plates	125 kg	1
10	<u>VT0006091</u>	Set of 10 load plates	250 kg	1
10	<u>VT0006031</u>	Set of 10 load plates	250 Kg - 4 m/min	1
10	<u>VT0007208</u>	Set of 10 load plates	500 Kg - 2 m/min	1
11	<u>VT0007184</u>	Hook standard lower	1+2 falls	1
11	<u>VT0006427</u>	Lower hook assembly	Automatic 1+2 falls	1
12	<u>VT0007197</u>	Safety latch	Swivel hook and suspension hook	1
13	<u>VT0006025</u>	Oil can		1
14	<u>VT0007215</u>	Chain stop		1
15	<u>VT0007218</u>	Chain bucket	16 m	1
15	<u>VT0007217</u>	Chain bucket	20 m	1
15	<u>VT0007216</u>	Chain bucket	30 m	1
16	<u>VT0007219</u>	Fixing set of hain bucket		1
17	<u>VT0007220</u>	Return sprocket	2 falls	1

2.3. Version B - 1 fall

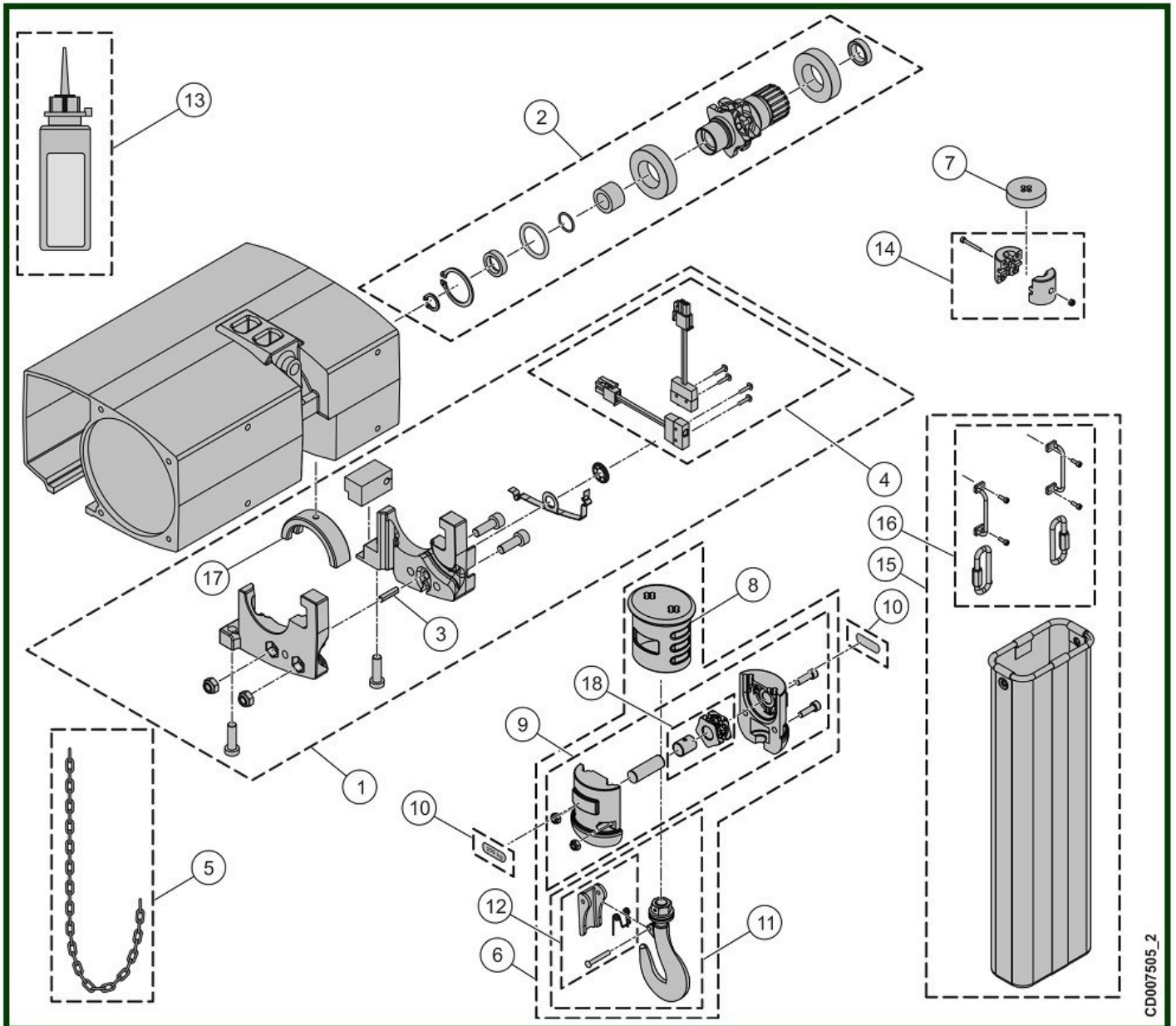


CD007504_2

CHAIN GUIDE – Version B – 1 fall

Item	Reference	Description	Observation	Quantity
1	<u>VT0007225</u>	Chain guide assembly	Upper and lower	1
2	<u>VT0007202</u>	Chain sprocket		1
3 & 18	<u>VT0006093</u>	Pin		1
4	<u>VT0007203</u>	Switch set		1
5	<u>VT0005997</u>	Black chain - 4x11		1
5	<u>VT0012840</u>	Black chain - 4x11	T100	1
6	<u>VT0007181</u>	Hook block automatic module	1 fall	1
6	<u>VT0007179</u>	Hook block standard module	1 fall	1
7	<u>VT0007711</u>	Buffer	Ø 40 - Ep./Th 10	1
8	<u>VT0007183</u>	Rubber sleeve	1 fall	1
9	<u>VT0007205</u>	Half casing set	1 fall	1
10	<u>VT0006996</u>	Set of 10 load plates	125 kg	1
10	<u>VT0006091</u>	Set of 10 load plates	250 kg	1
10	<u>VT0006031</u>	Set of 10 load plates	250 Kg - 4 m/min	1
10	<u>VT0007208</u>	Set of 10 load plates	500 Kg - 2 m/min	1
11	<u>VT0007184</u>	Hook standard lower	1+2 falls	1
11	<u>VT0006427</u>	Lower hook assembly	Automatic 1+2 falls	1
12	<u>VT0007197</u>	Safety latch	Swivel hook and suspension hook	1
13	<u>VT0006025</u>	Oil can		
14	<u>VT0007215</u>	Chain stop		1
15	<u>VT0007218</u>	Chain bucket	16 m	1
15	<u>VT0007217</u>	Chain bucket	20 m	1
15	<u>VT0007216</u>	Chain bucket	30 m	1
16	<u>VT0007219</u>	Fixing set of hain bucket		1
17	<u>VT0007178</u>	Upper chain guide		1

2.4. Version B - 2 falls

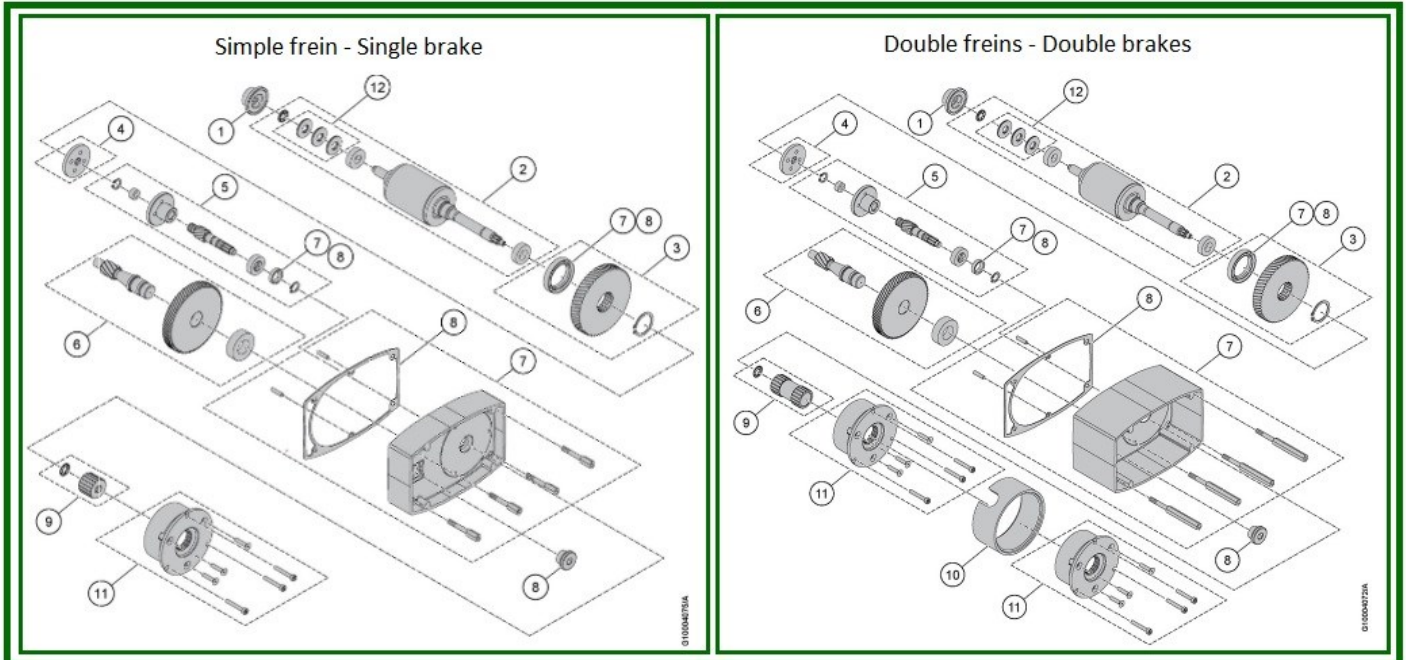


CD007505_2

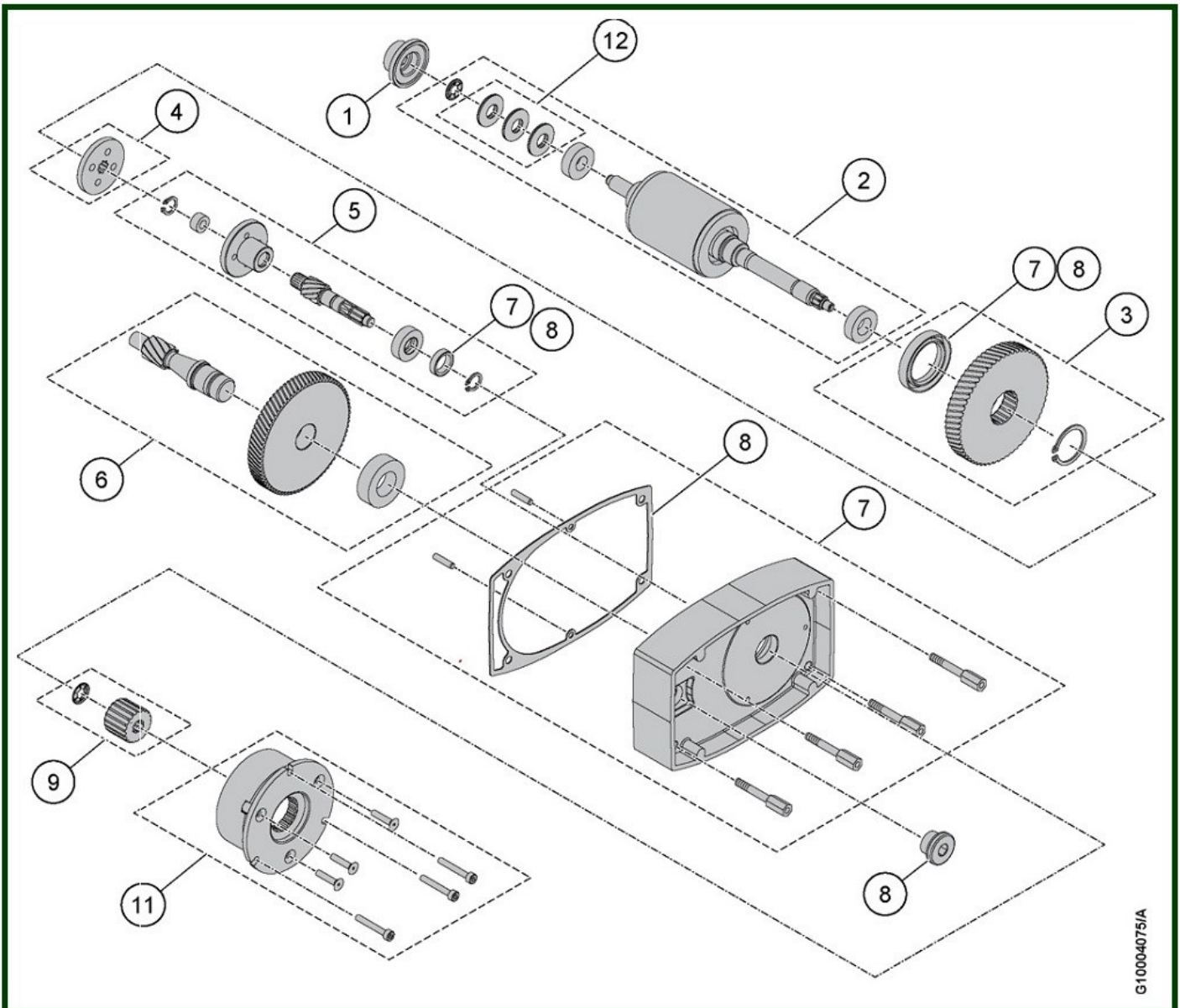
CHAIN GUIDE – Version B – 2 falls

Item	Reference	Description	Observation	Quantity
1	VT0007225	Chain guide assembly	Upper and lower	1
2	VT0007202	Chain sprocket		1
3	VT0006093	Pin		1
4	VT0007203	Switch set		1
5	VT0005997	Black chain - 4x11		1
5	VT0012840	Black chain - 4x11	T100	1
6	VT0007182	Bottle block automatic module	2 falls	1
6	VT0007180	Bottle block standard module	2 falls	1
7	VT0007711	Buffer	Ø 40 - Ep./Th 10	1
8	VT0007191	Rubber chain stop	2 falls	1
9	VT0007206	Half casing set	2 falls	1
10	VT0006996	Set of 10 load plates	125 kg	1
10	VT0006091	Set of 10 load plates	250 kg	1
10	VT0006031	Set of 10 load plates	250 Kg - 4 m/min	1
10	VT0007208	Set of 10 load plates	500 Kg - 2 m/min	1
11	VT0007184	Hook standard lower	1+2 falls	1
11	VT0006427	Lower hook assembly	Automatic 1+2 falls	1
12	VT0007197	Safety latch	Swivel hook and suspension hook	1
13	VT0006025	Oil can		
14	VT0007215	Chain stop		1
15	VT0007218	Chain bucket	16 m	1
15	VT0007217	Chain bucket	20 m	1
15	VT0007216	Chain bucket	30 m	1
16	VT0007219	Fixing set of hain bucket		1
17	VT0007178	Upper chain guide		1
18	VT0007220	Return sprocket	2 falls	1

3. GEAR



3.1. Single brake

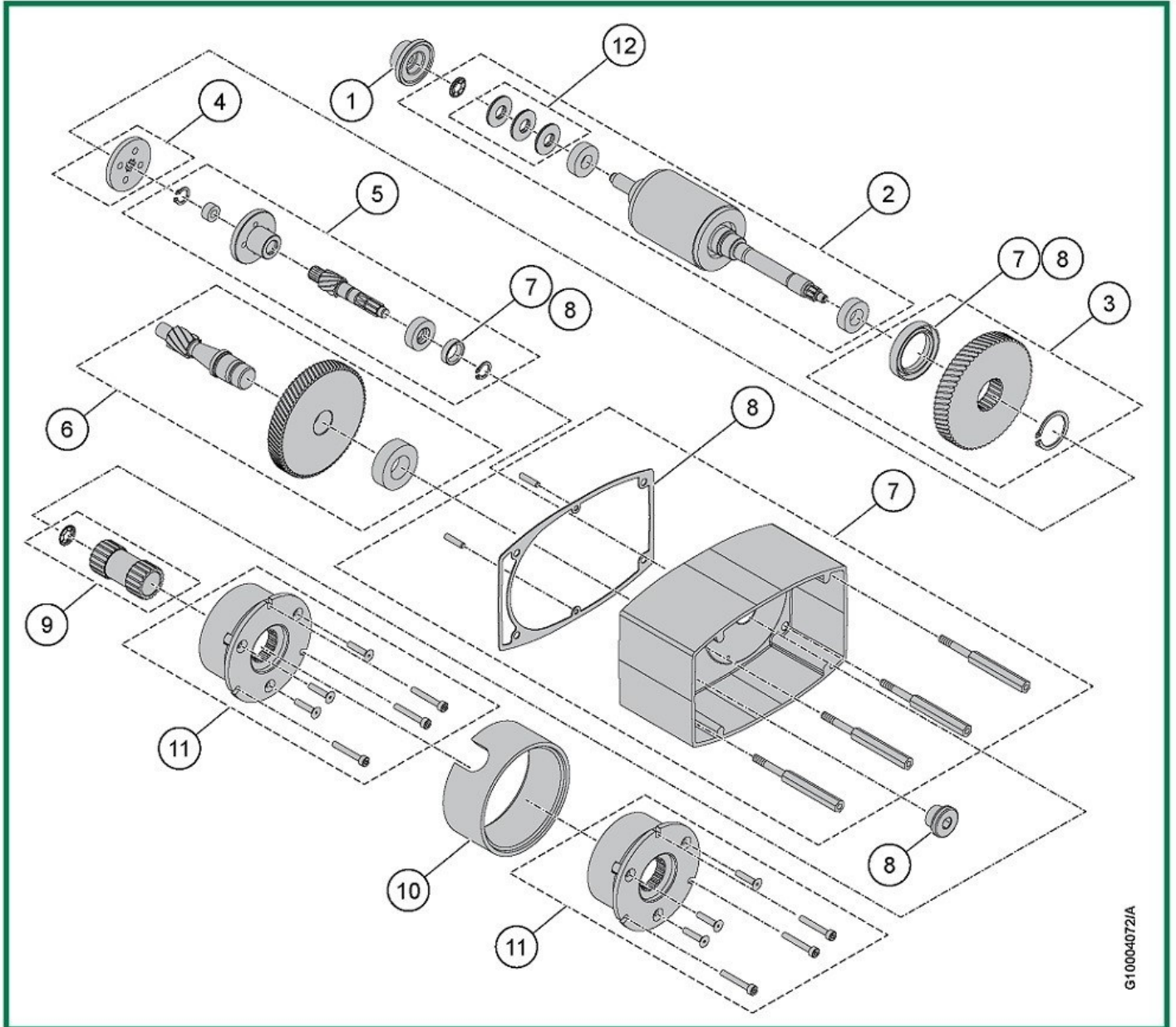


G10004075/A

GEAR – Single brake

Item	Reference	Description	Observation	Quantity
1	<u>VT0007214</u>	Clutch adjusting screw		1
2	<u>VT0007221</u>	Rotor module		1
3	<u>VT0007231</u>	Gear set - 1st step		1
4	<u>VT0007232</u>	Friction disc + Clutch set		1
5	<u>VT0007233</u>	Set gear shaft		1
6	<u>VT0007222</u>	Gear		1
7	<u>VT0007176</u>	Frame - Gear side	Single brake	1
8	<u>VT0007234</u>	Set sealing		1
9	<u>VT0007236</u>	Set brake hub	Single brake	1
11	<u>VT0007239</u>	Set brake	103V-230V	1
11	<u>VT0007593</u>	Set brake	190V-400V	1
12	<u>VT0007238</u>	Set Belleville washer		1

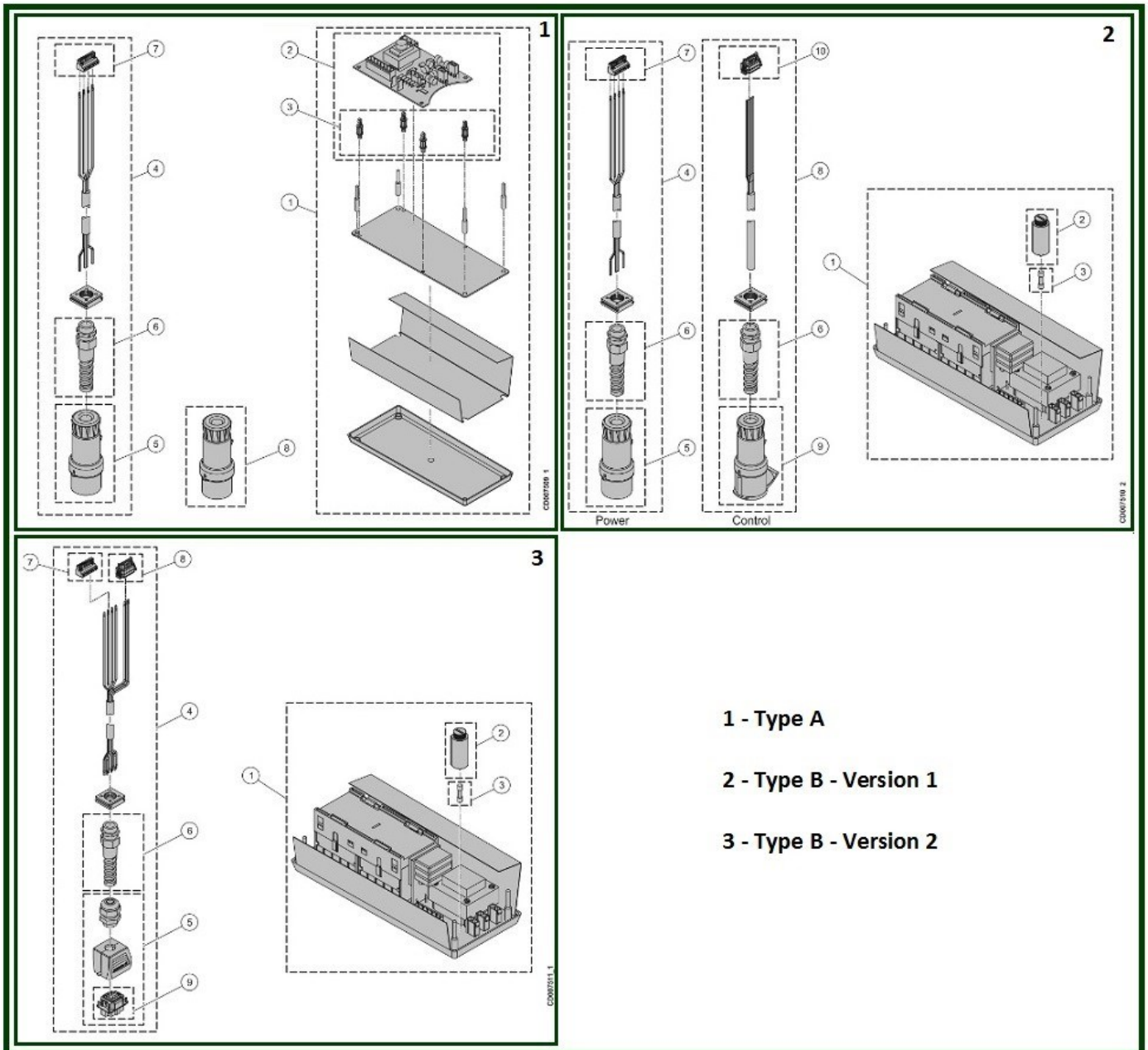
3.2. Double brakes



GEAR – Double brake

Item	Reference	Description	Observation	Quantity
1	<u>VT0007214</u>	Clutch adjusting screw		1
2	<u>VT0007221</u>	Rotor module		1
3	<u>VT0007231</u>	Gear set - 1st step		1
4	<u>VT0007232</u>	Friction disc + Clutch set		1
5	<u>VT0007233</u>	Set gear shaft		1
6	<u>VT0007222</u>	Gear		1
7	<u>VT0007175</u>	Frame - Gear side	Double brakes	1
8	<u>VT0007234</u>	Set sealing		1
9	<u>VT0007235</u>	Set brake hub	Double brakes	1
10	<u>VT0007237</u>	Ring	Double brakes	1
11	<u>VT0007239</u>	Set brake	103V-230V	1
11	<u>VT0007593</u>	Set brake	190V-400V	1
12	<u>VT0007238</u>	Set Belleville washer		1

4. ELECTRICAL PARTS

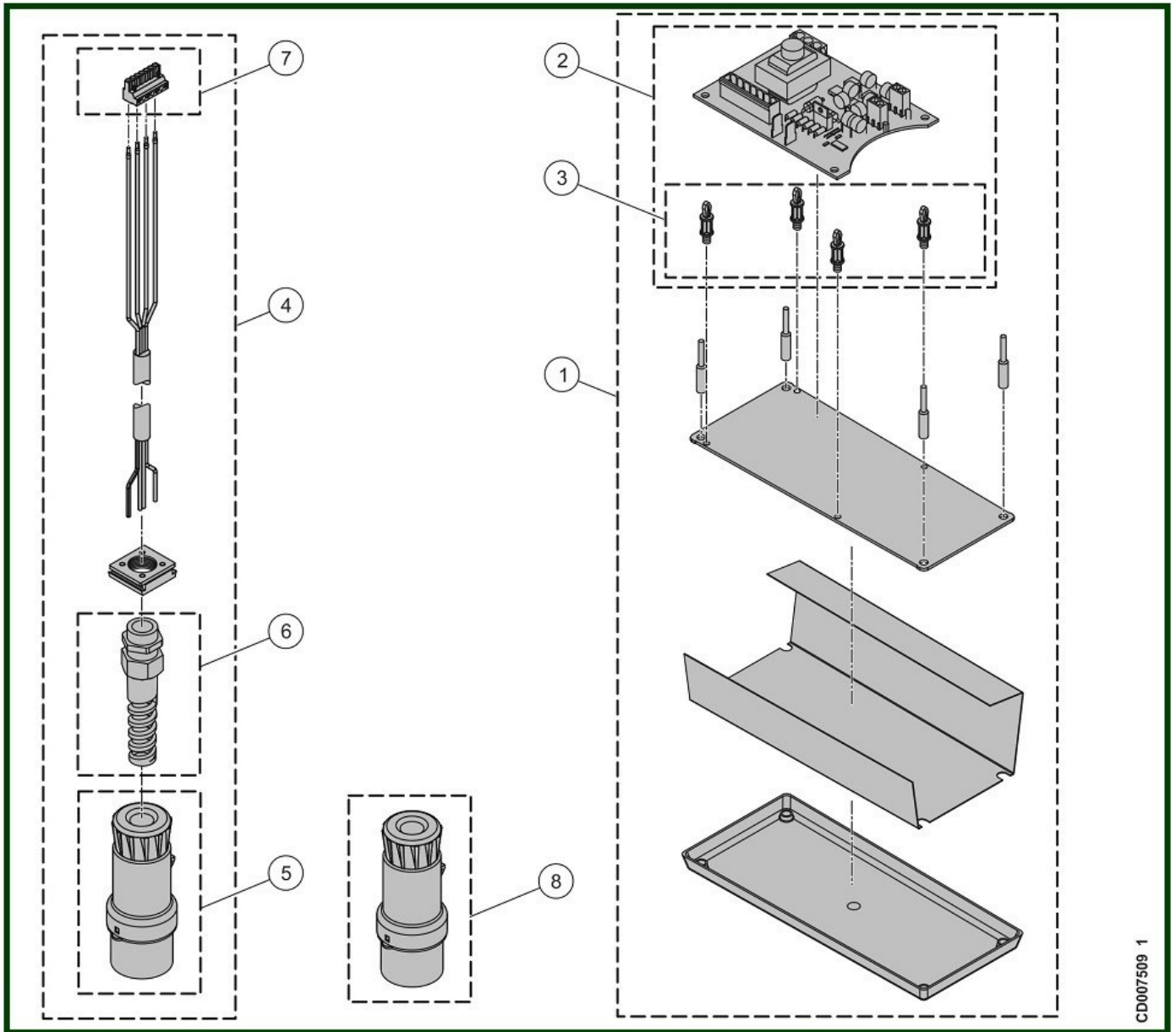


1 - Type A

2 - Type B - Version 1

3 - Type B - Version 2

4.1. Version A

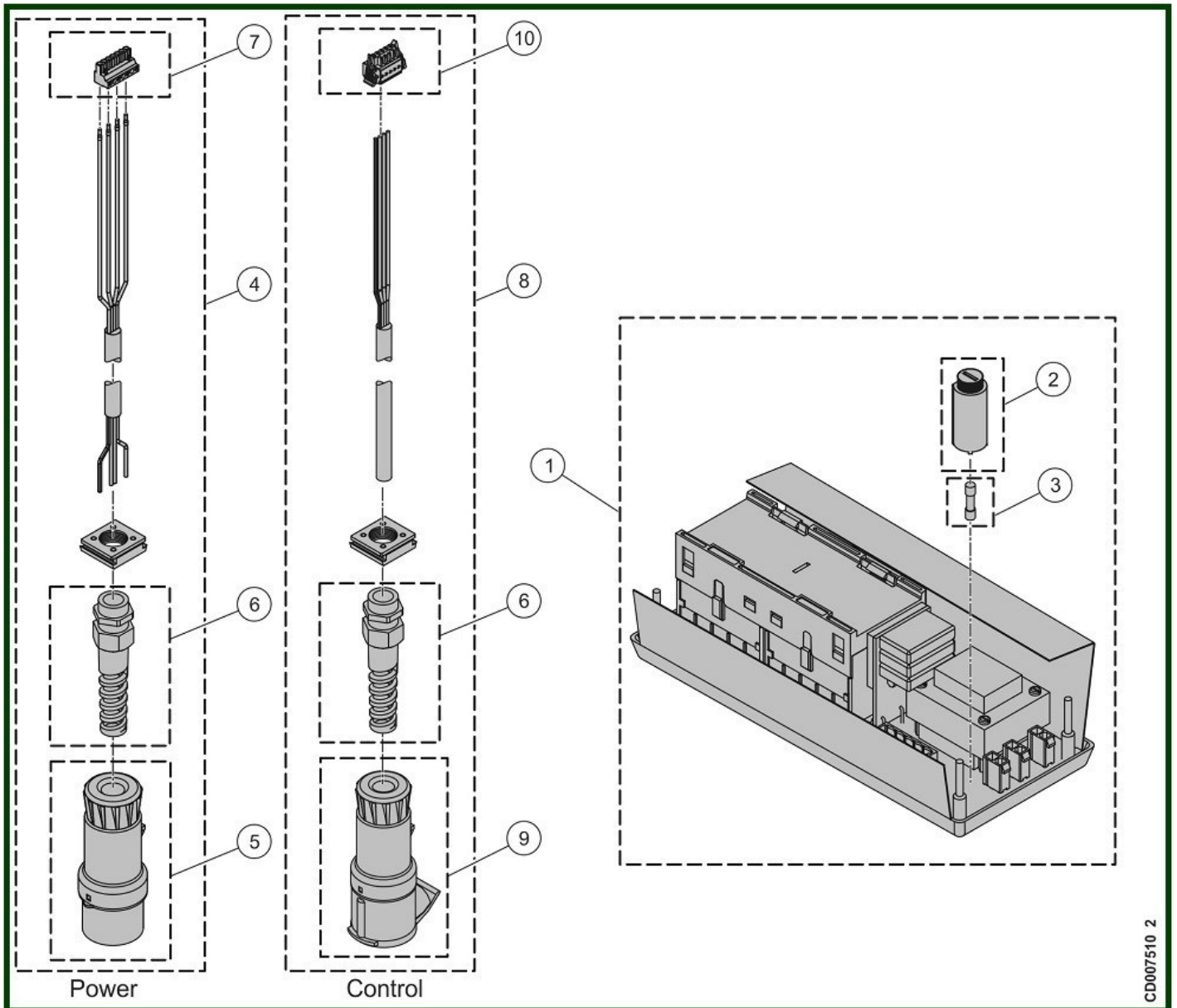


CD007509 1

ELETRICAL PARTS – Version A

Item	Reference	Description	Observation	Quantity
1	<u>VT0007209</u>	CI Board	208V-600V / 50 60Hz	1
2	<u>VT0007241</u>	CI board set	208-600V / 50 60Hz	1
3	<u>VT0007242</u>	PC board support		1
4	<u>VT0006078</u>	Power supply male blue plug with cable	230V / 3P+T / EXCEPT USA 50-60HZ	1
4	<u>VT0006076</u>	Power supply male red plug with cable	400V / 3P+T / EXCEPT USA 380-415V / 50-60HZ	1
5	<u>VT0006087</u>	Power supply male blue plug	230V / 3P+T EXCEPT USA	1
5	<u>VT0006086</u>	Power supply male red plug	400V/3P+T EXCEPT USA	1
6	<u>VT0006399</u>	Spiral cable gland	EXCEPT USA	1
7	<u>VT0005107</u>	Power connector - 4 P	CE /SX07 /SCPB 1 speed	1
8	<u>VT0006085</u>	Female blue plug	230V / 3P+T	1
8	<u>VT0006001</u>	Female red plug	400V / 3P+T	1

4.2. Version B with CE plug

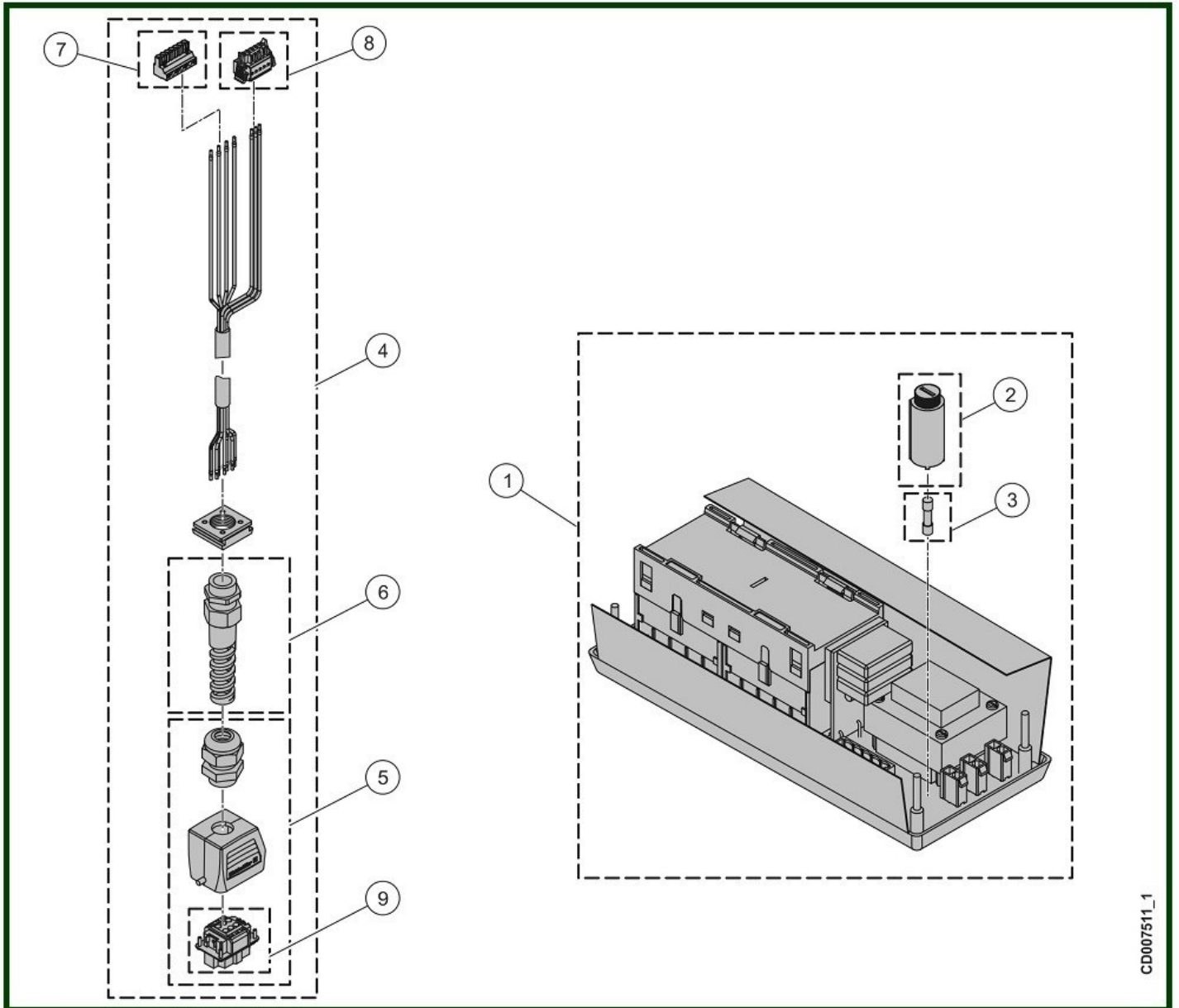


CD007510 2

ELECTRICAL PARTS – Version B with CE plug

Item	Reference	Description	Observation	Quantity
1	<u>VT0007210</u>	CI Board	208V-230V/115V 50/60Hz	1
1	<u>VT0007211</u>	CI Board	380V-415V/48V 50/60Hz	1
1	<u>VT0007212</u>	CI Board	440V-480V/48V 50/60Hz	1
1	<u>VT0007213</u>	CI Board	440V-480V/115V 50/60Hz	1
2	<u>VT0006191</u>	Fuses bases		1
3	<u>VT0007595</u>	Set of 10 fuses	50mA - 115V	1
3	<u>VT0007594</u>	Set of 10 fuses	125mA - 48V	1
4	<u>VT0006078</u>	Power supply male blue plug with cable	230V / 3P+T / EXCEPT USA 50-60HZ	1
4	<u>VT0006076</u>	Power supply male red plug with cable	400V / 3P+T / EXCEPT USA 380-415V / 50-60HZ	1
5	<u>VT0006087</u>	Power supply male blue plug	230V / 3P+T EXCEPT USA	1
5	<u>VT0006086</u>	Power supply male red plug	400V/3P+T EXCEPT USA	1
6	<u>VT0006399</u>	Spiral cable gland	EXCEPT USA	1
7	<u>VT0005107</u>	Power connector - 4 P	CE /SX07 /SCPB 1 speed	1
8	<u>VT0006409</u>	Control yellow plug with cable	EXCEPT USA	1
9	<u>VT0006761</u>	Control yellow plug - Female		1
10	<u>VT0007585</u>	Control connector - 5P	721-605	1
10	<u>VT0006412</u>	Control connector - 5 P	721-2105	1
11	<u>VT0006411</u>	Control adapter	24V-230V	1
12	<u>VT0006410</u>	Power adapter	208V-600V	1

4.3. Version B with HARTING plug



CD007511_1

ELECTRICAL PARTS – Version B with HARTING plug

Item	Reference	Description	Observation	Quantity
1	<u>VT0007210</u>	CI Board	208V-230V/115V 50/60Hz	1
1	<u>VT0007211</u>	CI Board	380V-415V/48V 50/60Hz	1
1	<u>VT0007212</u>	CI Board	440V-480V/48V 50/60Hz	1
1	<u>VT0007213</u>	CI Board	440V-480V/115V 50/60Hz	1
2	<u>VT0006191</u>	Fuses bases		1
3	<u>VT0007595</u>	Set of 10 fuses	50mA - 115V	1
3	<u>VT0007594</u>	Set of 10 fuses	125mA - 48V	1
4	<u>VT0007243</u>	Harting plug + cable set	6P+G	1
5	<u>VT0007247</u>	Harting plug		1
6	<u>VT0006399</u>	Spiral cable gland	EXCEPT USA	1
7	<u>VT0005107</u>	Power connector - 4 P	CE /SX07 /SCPB 1 speed	1
8	<u>VT0006412</u>	Control connector - 5 P	721-2105	1
9	<u>VT0007244</u>	Female Insert		1
10	<u>VT0006411</u>	Control adapter	24V-230V	1
11	<u>VT0006410</u>	Power adapter	208V-600V	1