

## Spare parts catalog for "SR10"

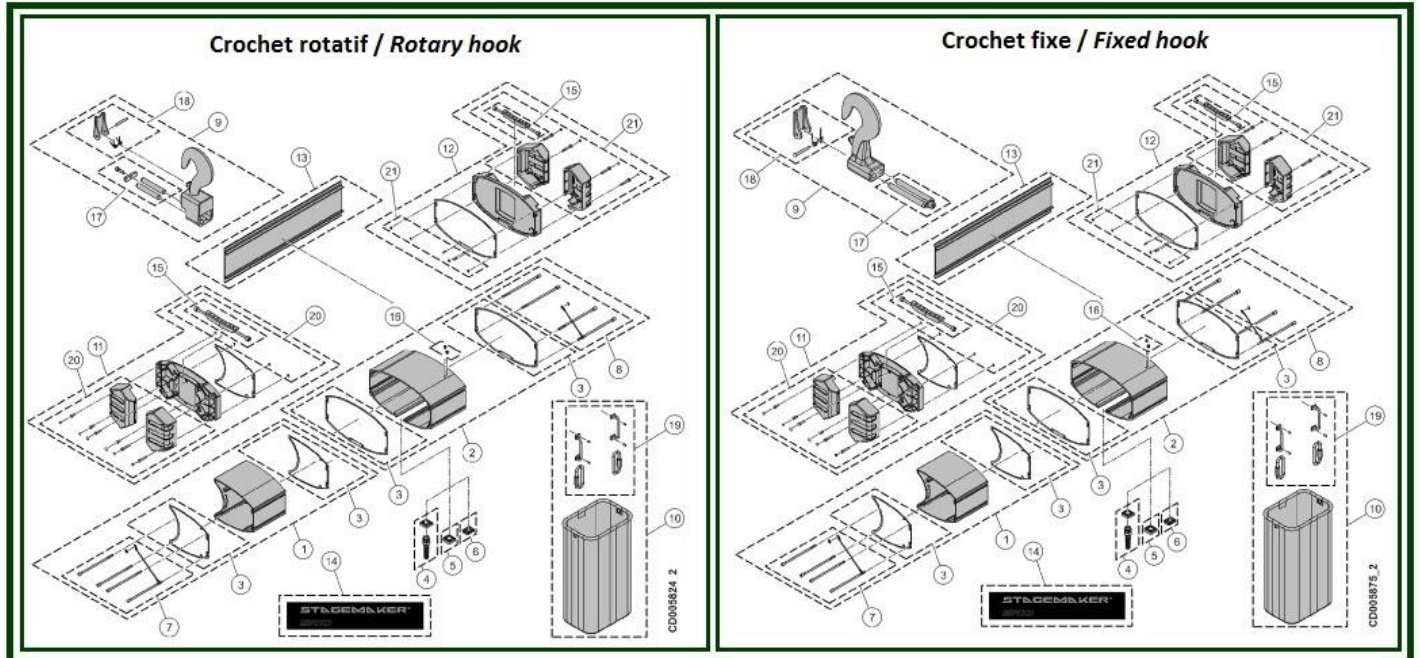
To avoid errors, when ordering please specify:

- Complete type of hoist
- Date of manufacture and serial number
  - Spare part code
  - Spare part designation
  - Additional information

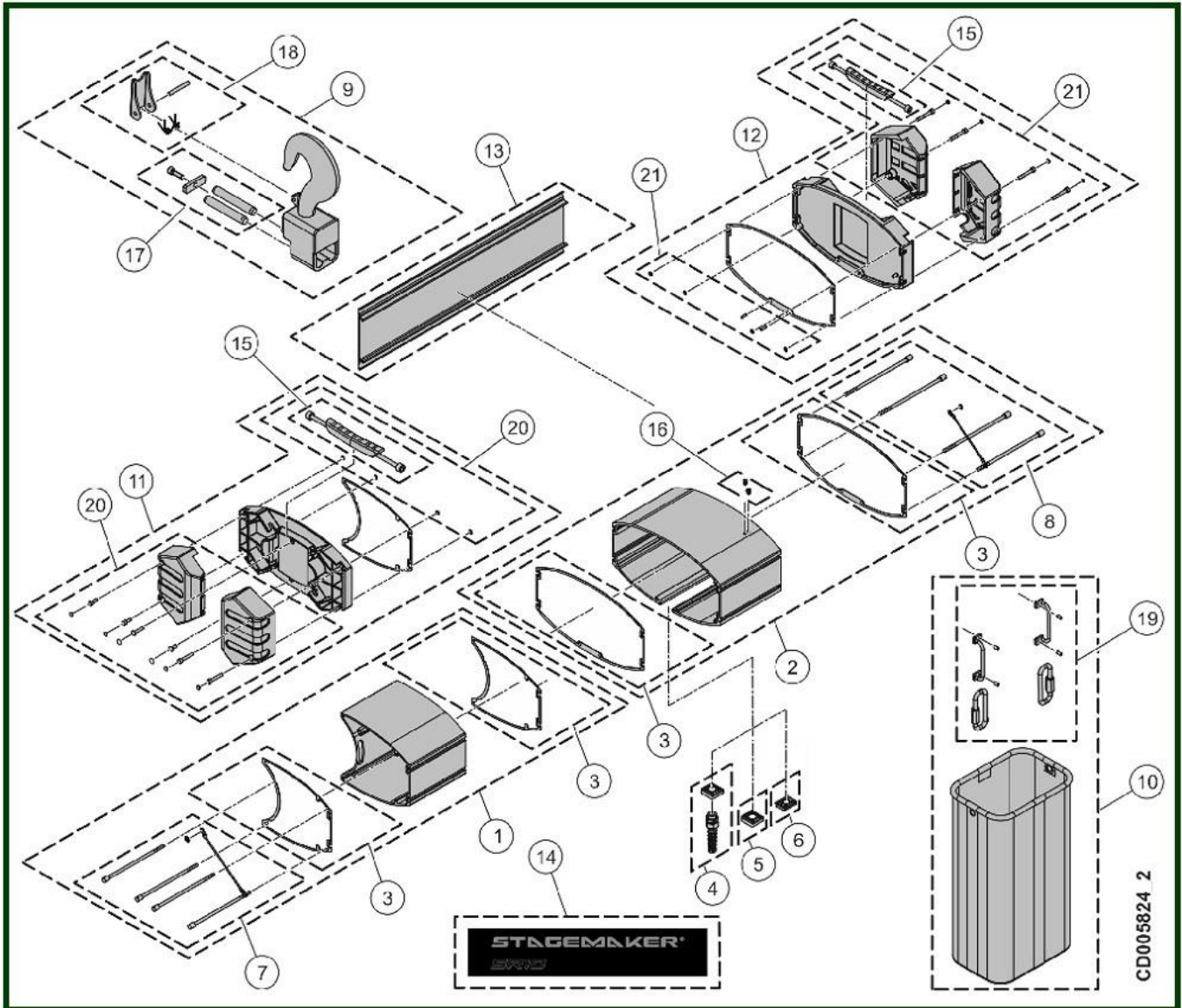


1. FRAME.....	2
1.1. Rotary hook.....	3
1.2. Fixed hook.....	5
2. CHAIN GUIDE - 7x20.....	8
2.1. A version - 1 fall .....	9
2.2. A version - 2 falls.....	11
2.3. B version - 1 fall - Gear limit switch & Magnetic .....	13
2.4. B version - 2 falls - Gear limit switch & Magnetic.....	15
3. GEAR .....	17
3.1. Standard limit switch & Magnetic .....	18
3.2. Geared limit switch & Magnetic.....	20
4. MOTOR .....	22
4.1. Single brake .....	23
4.2. Double brakes.....	25
5. ELECTRICAL PARTS .....	27
5.1. Version A.....	28
5.2. Version B.....	29

## 1. FRAME



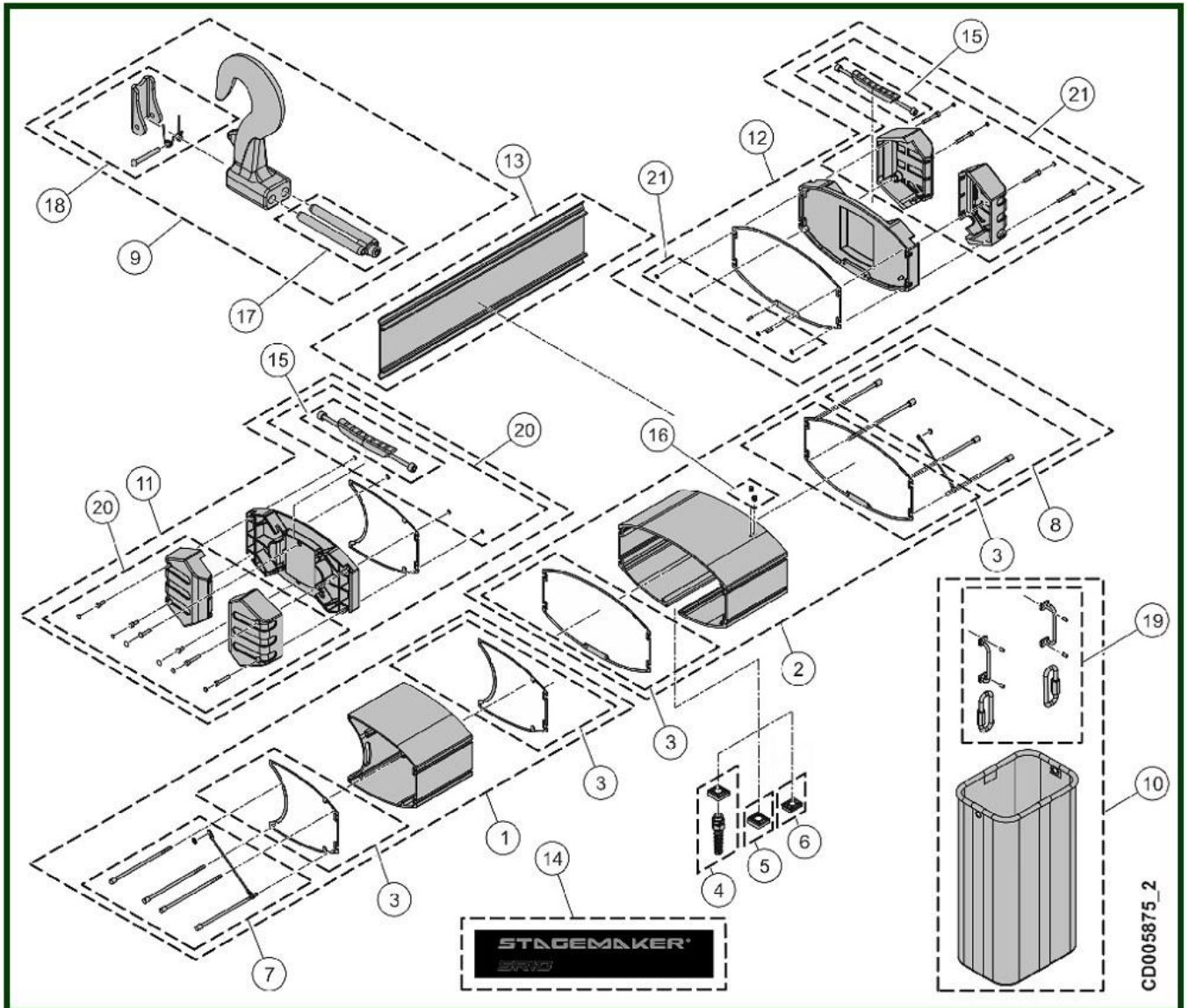
### 1.1. Rotary hook



FRAME – Rotary hook

Item	Reference	Description	Observation	Quantity
1	<u>VT0006946</u>	Housing set - Motor side		1
2	<u>VT0006948</u>	Housing set - Brake side	Double brakes + Geared limit switch 4 cams	1
2	<u>VT0006947</u>	Housing set - Brake side	Single brake + Geared limit switch 2 cams	1
3	<u>VT0006949</u>	Sealings set		1
4	<u>VT0007033</u>	Cable gland set - Square cable entry	PE ISO 25	1
5	<u>VT0007034</u>	End cap - Square cable entry	PE ISO 25	1
6	<u>VT0006384</u>	End cap + Long set		1
7	<u>VT0006911</u>	Screw set M6L165 - Motor side		1
8	<u>VT0006912</u>	Screw set M6L180 - Brake side	Single brake	1
8	<u>VT0006936</u>	Screw set M6L217 - Brake side	Double brakes	1
9	<u>VT0005561</u>	Fixed upper hook		1
9	<u>VT0006361</u>	Rotating upper hook		1
10	<u>VT0006360</u>	Chain bucket	20 m	1
10	<u>VT0007023</u>	Chain bucket	50 m	1
11	<u>VT0006385</u>	Cover set - Motor side		1
12	<u>VT0006386</u>	Cover set - Brake side		1
13	<u>VT0006367</u>	Cover set	Double brakes	1
13	<u>VT0006366</u>	Housing	Double brakes	1
14	<u>VT0006365</u>	Sticker - Brand	Double brakes	1
14	<u>VT0006364</u>	Sticker - Brand	Single brake	1
15	<u>VT0006030</u>	Set of 2 rubber handles	Single brake / Double brakes	1
16	<u>VT0006084</u>	End cap for limit switch	2 & 4 cams	4
17	<u>VT0005562</u>	Shaft set		1
18	<u>VT0005903</u>	Safety latch	1 fall	1
19	<u>VT0006036</u>	Fixing set of chain bucket	20 m - Inverse/Reverse	1
20	<u>VT0006523</u>	Rubber set - Motor side		1
21	<u>VT0006524</u>	Rubber set - Brake side		1
22	<u>VT0006048</u>	Set of 10 load plates - Hoist	500 kg	1
22	<u>VT0006050</u>	Set of 10 load plates - Hoist	1000 kg	1
22	<u>VT0006053</u>	Set of 10 load plates - Hoist	2000 kg	1
23	<u>VT0006026</u>	Identification plate	Serial number request	1
24	<u>VT0006945</u>	Rain cover		1

## 1.2. Fixed hook



## FRAME – Fixed hook

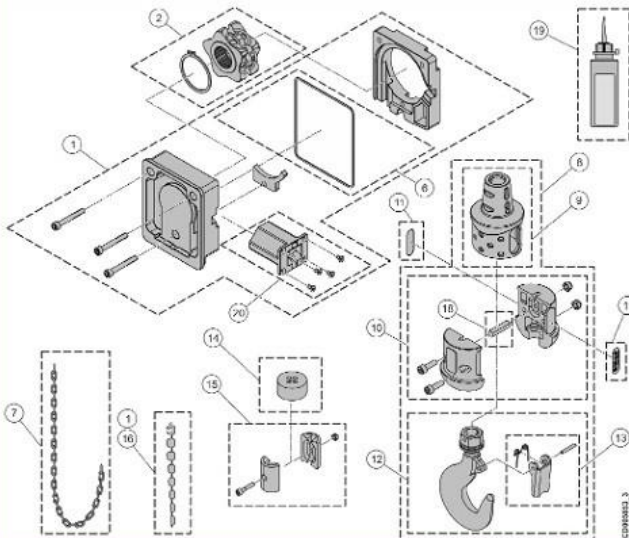
Item	Reference	Description	Observation	Quantity
1	<u>VT0006946</u>	Housing set - Motor side		1
2	<u>VT0006948</u>	Housing set - Brake side	Double brakes + Geared limit switch 4 cams	1
2	<u>VT0006947</u>	Housing set - Brake side	Single brake + Geared limit switch 2 cams	1
3	<u>VT0006949</u>	Sealings set		1
4	<u>VT0007033</u>	Cable gland set - Square cable entry	PE ISO 25	1
5	<u>VT0007034</u>	End cap - Square cable entry	PE ISO 25	1
6	<u>VT0006384</u>	End cap + Long set		1
7	<u>VT0006911</u>	Screw set M6L165 - Motor side		1
8	<u>VT0006912</u>	Screw set M6L180 - Brake side	Single brake	1
8	<u>VT0006936</u>	Screw set M6L217 - Brake side	Double brakes	1
9	<u>VT0005561</u>	Fixed upper hook		1
10	<u>VT0006360</u>	Chain bucket	20 m	1
10	<u>VT0007023</u>	Chain bucket	50 m	1
11	<u>VT0006385</u>	Cover set - Motor side		1
12	<u>VT0006386</u>	Cover set - Brake side		1
13	<u>VT0006367</u>	Cover set	Double brakes	1
13	<u>VT0006366</u>	Housing	Double brakes	1
14	<u>VT0006365</u>	Sticker - Brand	Double brakes	1
14	<u>VT0006364</u>	Sticker - Brand	Single brake	1
15	<u>VT0006030</u>	Set of 2 rubber handles	Single brake / Double brakes	1
16	<u>VT0006084</u>	End cap for limit switch	2 & 4 cams	4
17	<u>VT0005562</u>	Shaft set		1
18	<u>VT0005903</u>	Safety latch	1 fall	1
18	<u>VT0005902</u>	Safety latch	2 falls	1
19	<u>VT0006036</u>	Fixing set of chain bucket	20 m - Inverse/Reverse	1
20	<u>VT0006523</u>	Rubber set - Motor side		1
21	<u>VT0006524</u>	Rubber set - Brake side		1

## FRAME – Fixed hook

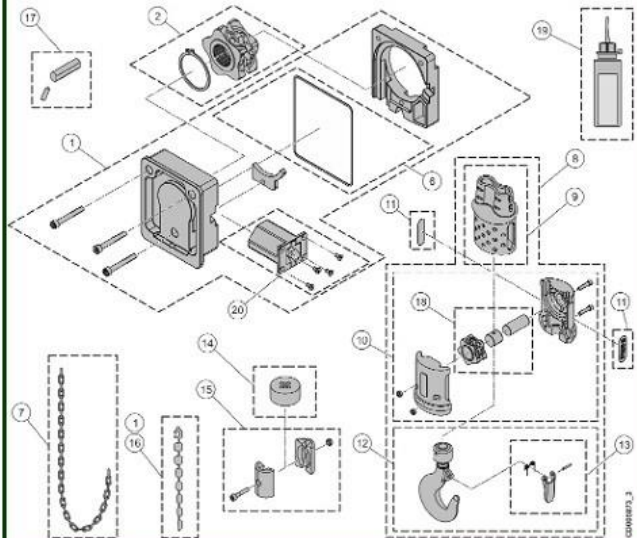
Item	Reference	Description	Observation	Quantity
22	<u>VT0006048</u>	Set of 10 load plates - Hoist	500 kg	1
22	<u>VT0006050</u>	Set of 10 load plates - Hoist	1000 kg	1
22	<u>VT0006053</u>	Set of 10 load plates - Hoist	2000 kg	1
23	<u>VT0006026</u>	Identification plate	Serial number request	1
24	<u>VT0006945</u>	Rain cover		1

## 2. CHAIN GUIDE - 7x20

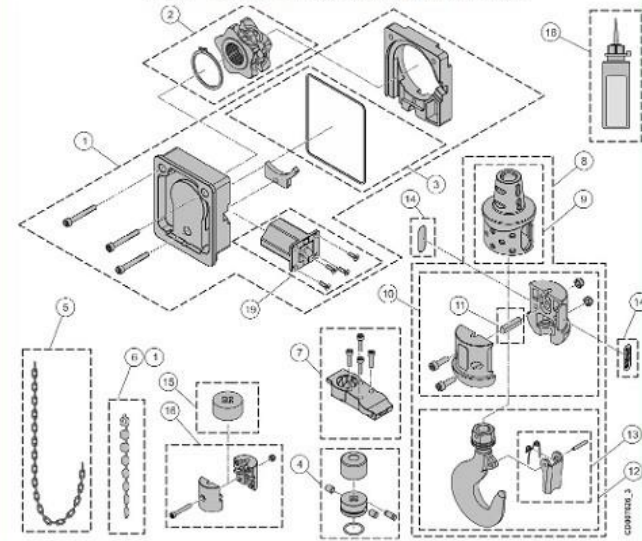
**Version A - 1 brin / 1 fall**



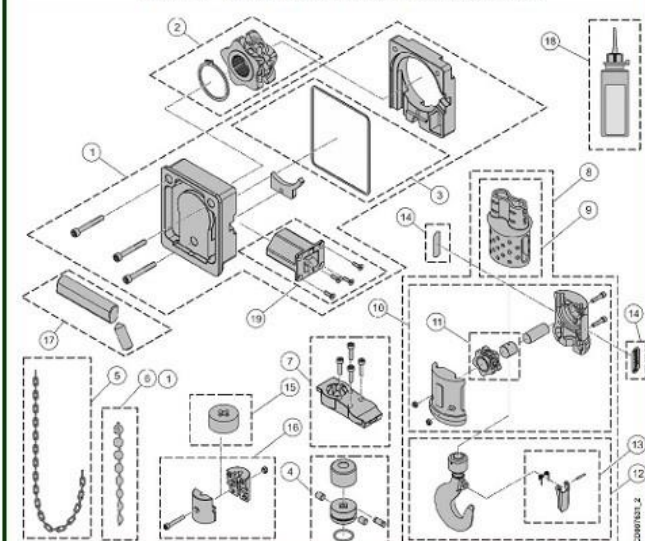
**Version A - 2 brins / 2 falls**



**Version B - 1 brin - Fin De Course à Cames & Magnétique  
1 fall - Gear limit switch & Magnetic**

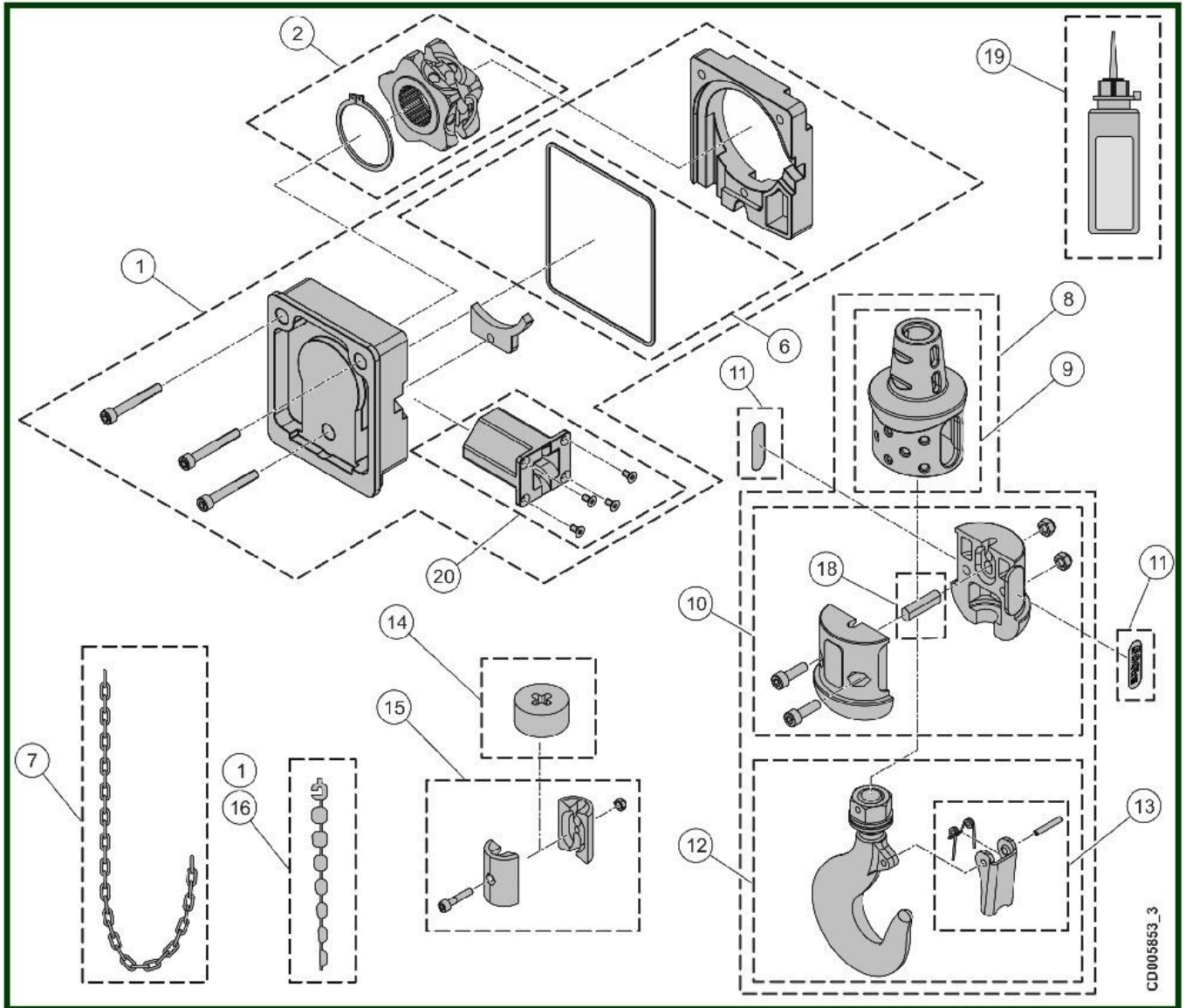


**Version B - 2 brins - Fin De Course à cames & Magnétique  
2 falls - Gear limit switch & Magnetic**





### 2.1. A version - 1 fall

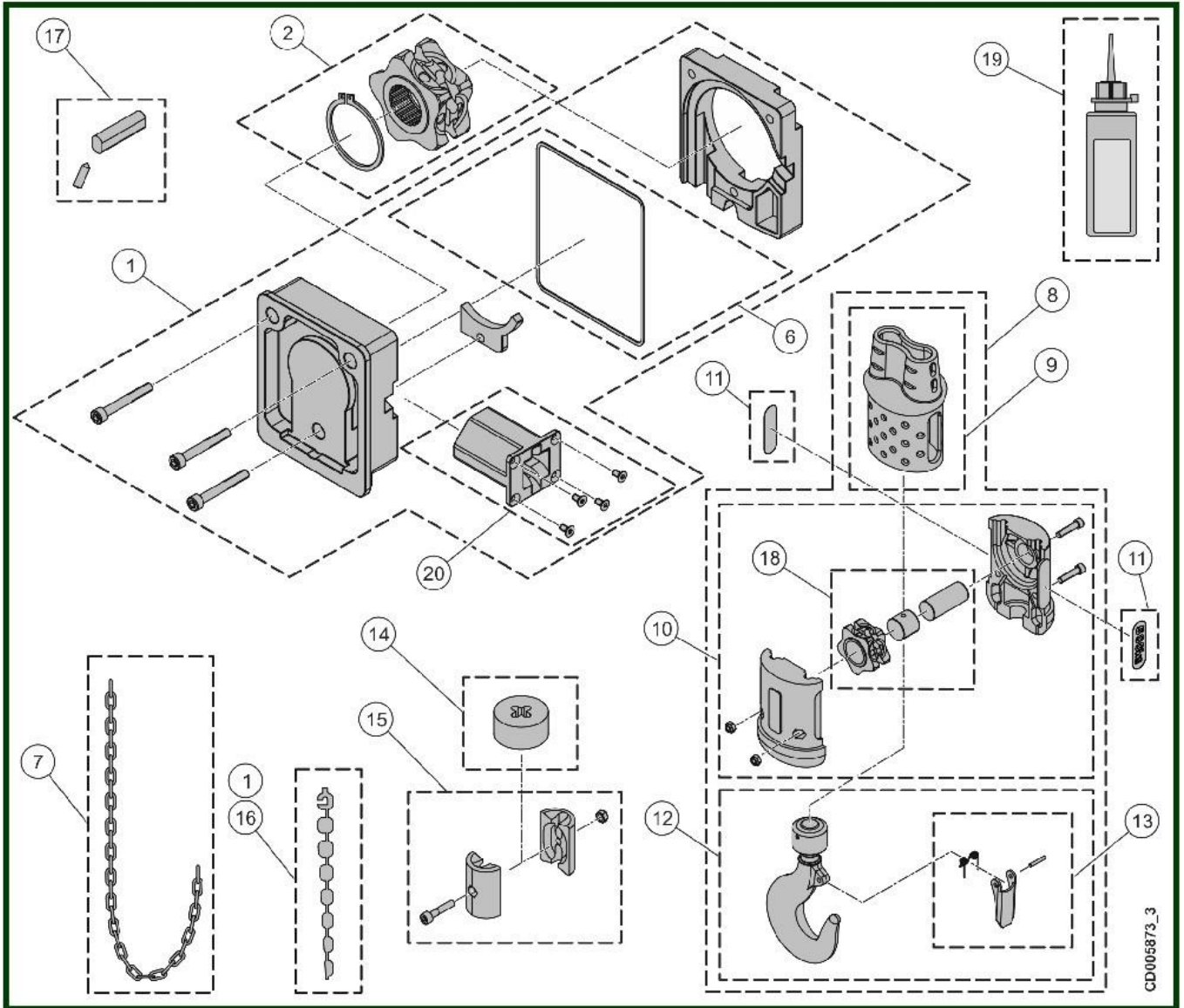


CD005853\_3

CHAIN GUIDE – 7x20 - A version – 1 fall

Item	Reference	Description	Observation	Quantity
1	<u>VT0006387</u>	Chain guide - Chain 7x20		1
2	<u>VT0005851</u>	Chain sprocket		1
6	<u>VT0006368</u>	Sealing set		1
7	<u>VT0006369</u>	Black chain - 7x20	T80 - Standard	1
7	<u>VT0009515</u>	Black chain - 7x20	T100 - Special	1
8	<u>VT0006370</u>	Hook block	1 fall	1
9	<u>VT0005855</u>	Rubber chain stop		1
10	<u>VT0006391</u>	Hook component	1 fall	1
11	<u>VT0006388</u>	Set of 10 load plates - Hook	500 Kg - 1 fall	1
11	<u>VT0006389</u>	Set of 10 load plates - Hook	1000 Kg - 1 fall	1
11	<u>VT0006390</u>	Set of 10 load plates - Hook	2000 Kg	1
12	<u>VT0006372</u>	Hook assembly	1 fall	1
13	<u>VT0005903</u>	Safety latch	1 fall	1
14	<u>VT0008134</u>	Rubber chain stop	D40 T15 Replace old model rubber	1
14	<u>VT0005863</u>	Rubber chain stop - Old model	2 falls : Never use as chain stop side hook	1
15	<u>VT0005864</u>	Chain stop	2 falls : Never use as chain stop side hook	1
16	<u>VT0005575</u>	Chain fitting tool		1
18	<u>VT0006371</u>	Axle		1
19	<u>VT0006025</u>	Oil can		1
20	<u>VT0008561</u>	External chain guide		1

## 2.2. A version - 2 falls

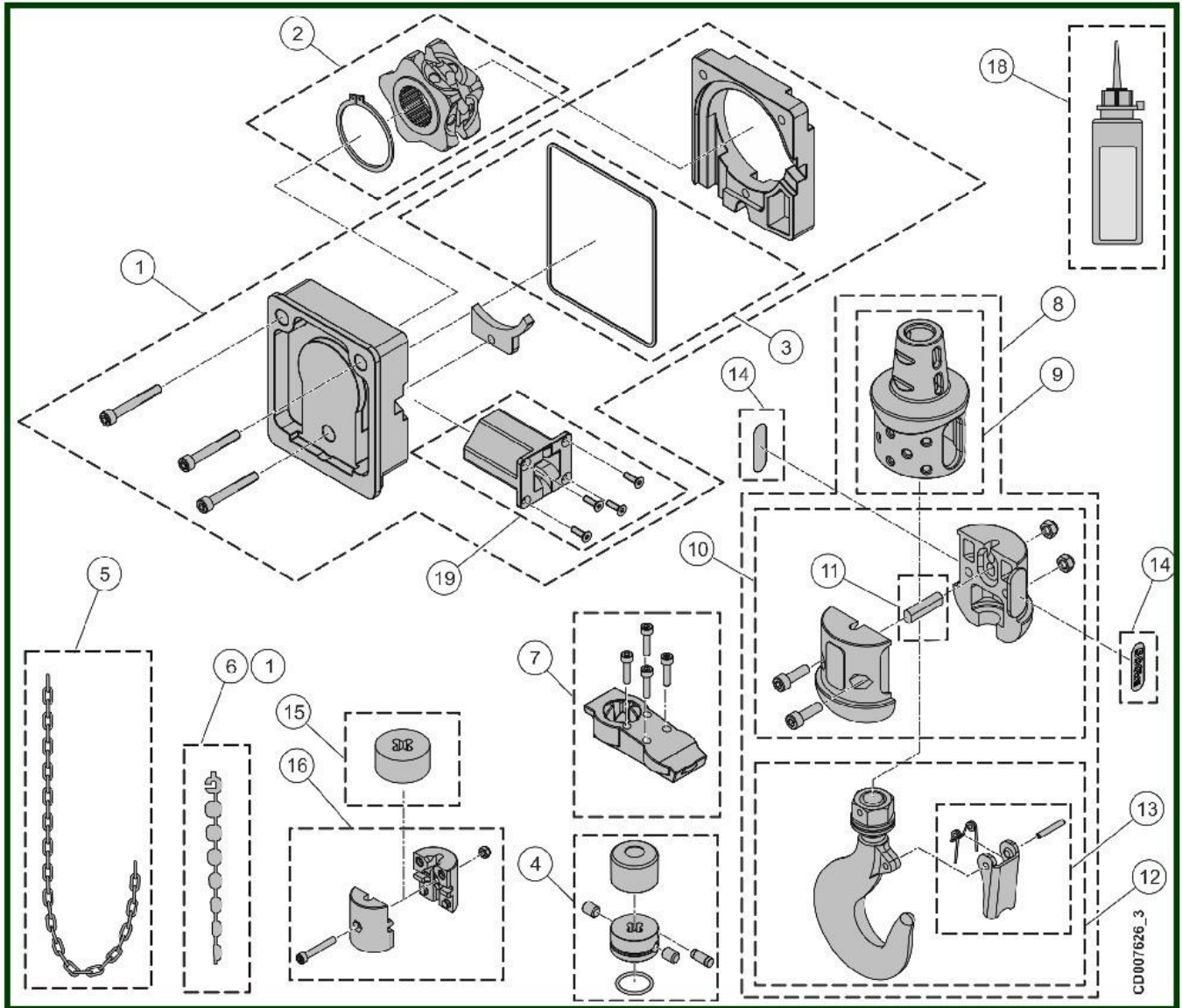


CD006873\_3

CHAIN GUIDE - 7x20 - A version - 2 falls

Item	Reference	Description	Observation	Quantity
1	<u>VT0006387</u>	Chain guide - Chain 7x20		1
2	<u>VT0005851</u>	Chain sprocket		1
6	<u>VT0006368</u>	Sealing set		1
7	<u>VT0006369</u>	Black chain - 7x20	T80 - Standard	1
7	<u>VT0009515</u>	Black chain - 7x20	T100 - Special	1
8	<u>VT0006373</u>	Hook block	2 falls	1
9	<u>VT0005868</u>	Rubber chain stop	2 falls	1
10	<u>VT0006392</u>	Hook component	2 falls	1
11	<u>VT0006388</u>	Set of 10 load plates - Hook	500 Kg - 1 fall	1
11	<u>VT0006389</u>	Set of 10 load plates - Hook	1000 Kg - 1 fall	1
11	<u>VT0006390</u>	Set of 10 load plates - Hook	2000 Kg	1
12	<u>VT0006374</u>	Hook assembly	2 falls	1
13	<u>VT0005902</u>	Safety latch	2 falls	1
14	<u>VT0008134</u>	Rubber chain stop	D40 T15 Replace old model rubber	1
14	<u>VT0005863</u>	Rubber chain stop - Old model	2 falls : Never use as chain stop side hook	1
15	<u>VT0005864</u>	Chain stop	2 falls : Never use as chain stop side hook	1
16	<u>VT0005575</u>	Chain fitting tool		1
17	<u>VT0006376</u>	Fixing stop	2 falls	1
18	<u>VT0005882</u>	Return sprocket		1
19	<u>VT0006025</u>	Oil can		1
20	<u>VT0008561</u>	External chain guide		1

**2.3. B version - 1 fall - Gear limit switch & Magnetic**

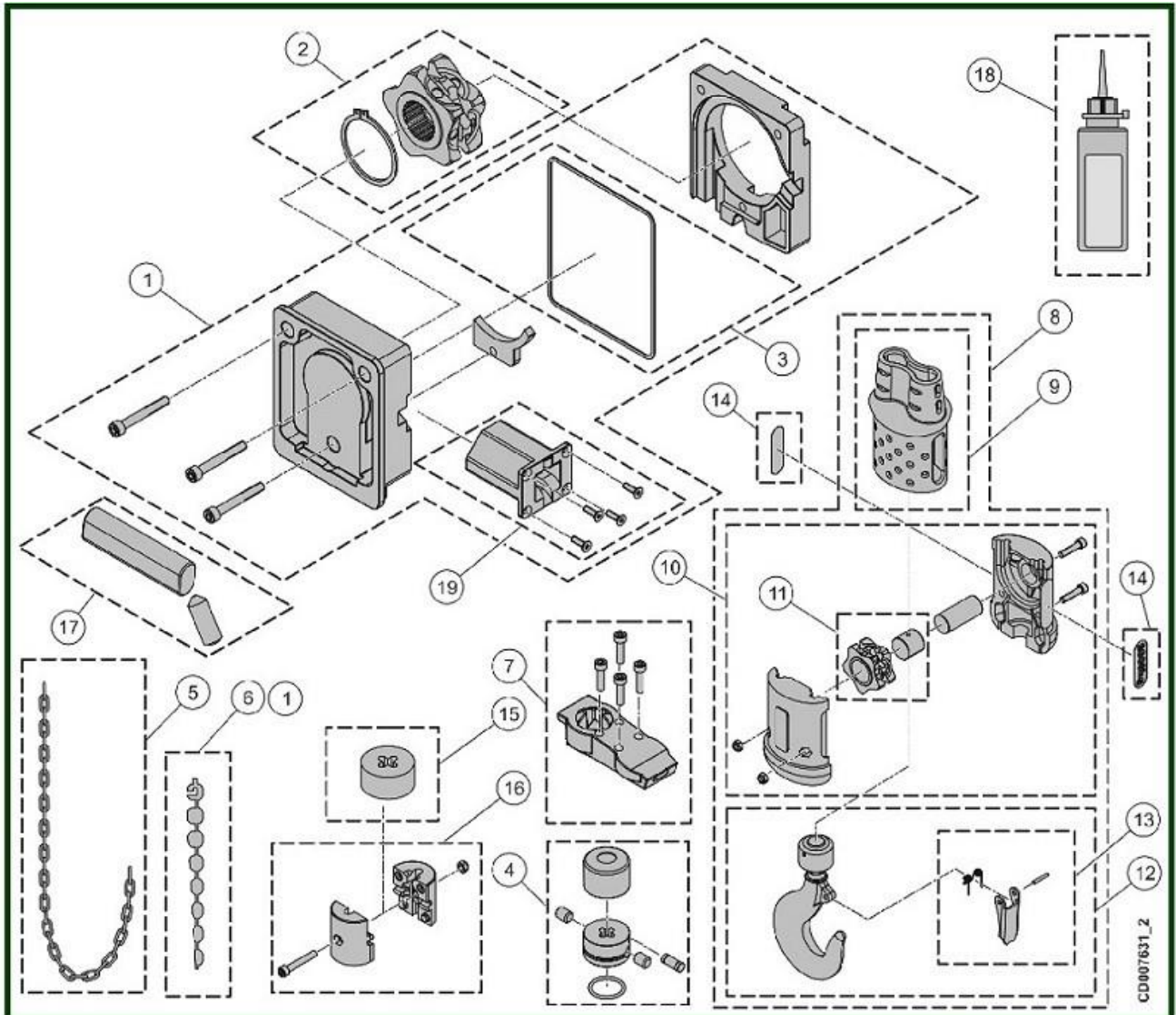


CD007626\_3

CHAIN GUIDE – 7x20 – B version – 1 fall – Gear limit switch & Magnetic

Item	Reference	Description	Observation	Quantity
1	<a href="#">VT0006387</a>	Chain guide - Chain 7x20		1
2	<a href="#">VT0005851</a>	Chain sprocket		1
3	<a href="#">VT0006368</a>	Sealing set		1
4	<a href="#">VT0007404</a>	Limit switch activator		1
5	<a href="#">VT0006369</a>	Black chain - 7x20	T80 - Standard	1
5	<a href="#">VT0009515</a>	Black chain - 7x20	T100 - Special	1
6	<a href="#">VT0005575</a>	Chain fitting tool		1
7	<a href="#">VT0007406</a>	Set of chain entry		1
8	<a href="#">VT0006370</a>	Hook block	1 fall	1
9	<a href="#">VT0005855</a>	Rubber chain stop		1
10	<a href="#">VT0006391</a>	Hook component	1 fall	1
11	<a href="#">VT0006371</a>	Axle		1
12	<a href="#">VT0006372</a>	Hook assembly	1 fall	1
13	<a href="#">VT0005903</a>	Safety latch	1 fall	1
14	<a href="#">VT0006388</a>	Set of 10 load plates - Hook	500 Kg - 1 fall	1
14	<a href="#">VT0006389</a>	Set of 10 load plates - Hook	1000 Kg - 1 fall	1
14	<a href="#">VT0006390</a>	Set of 10 load plates - Hook	2000 Kg	1
15	<a href="#">VT0008134</a>	Rubber chain stop	D40 T15 Replace old model rubber	1
15	<a href="#">VT0005863</a>	Rubber chain stop - Old model	2 falls : Never use as chain stop side hook	1
16	<a href="#">VT0007405</a>	Slack fall stop		1
18	<a href="#">VT0006025</a>	Oil can		1
19	<a href="#">VT0008561</a>	External chain guide		1

### 2.4. B version - 2 falls - Gear limit switch & Magnetic

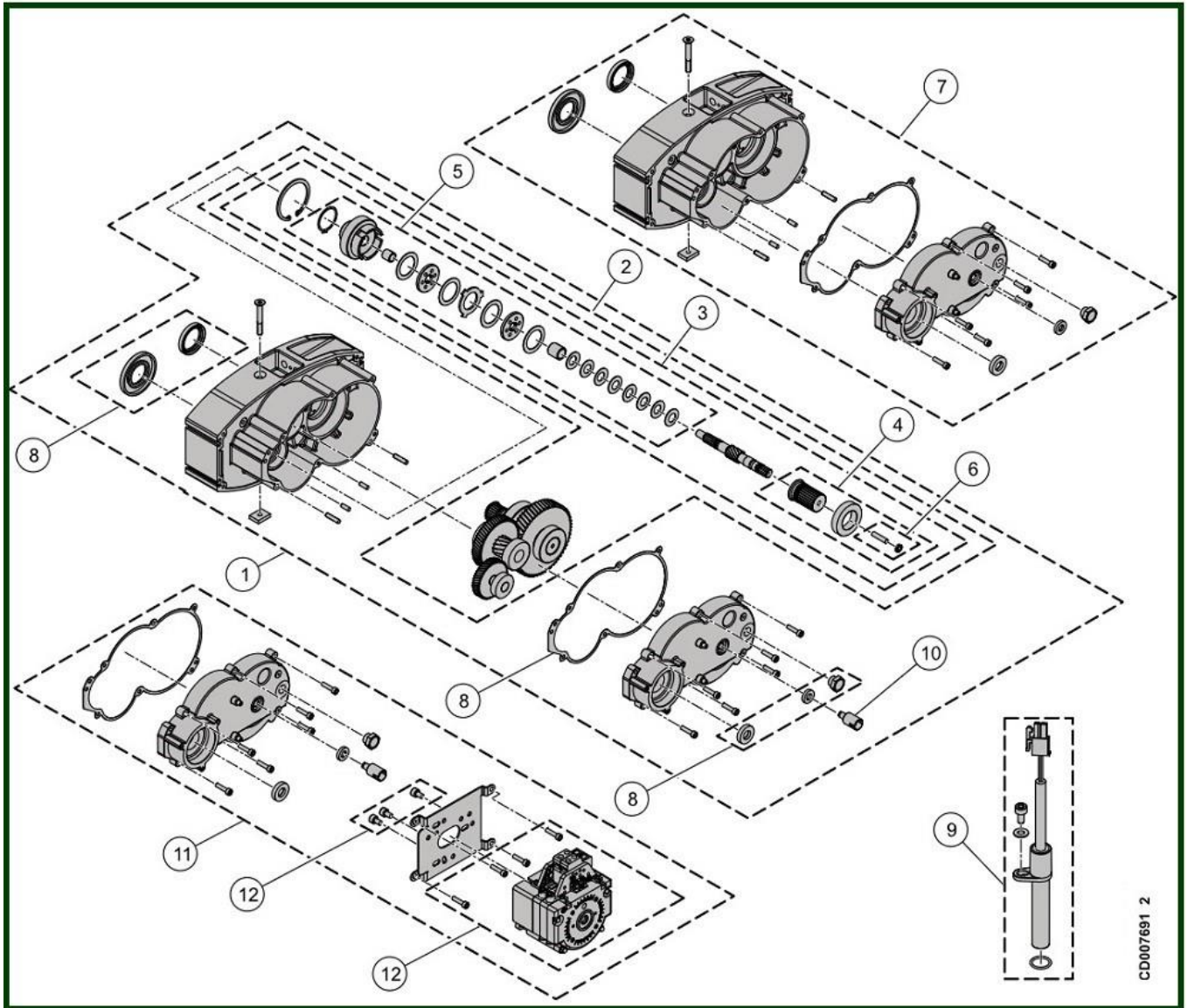


## CHAIN GUIDE – 7x20 – B version – 2 falls – Gear limit switch &amp; Magnetic

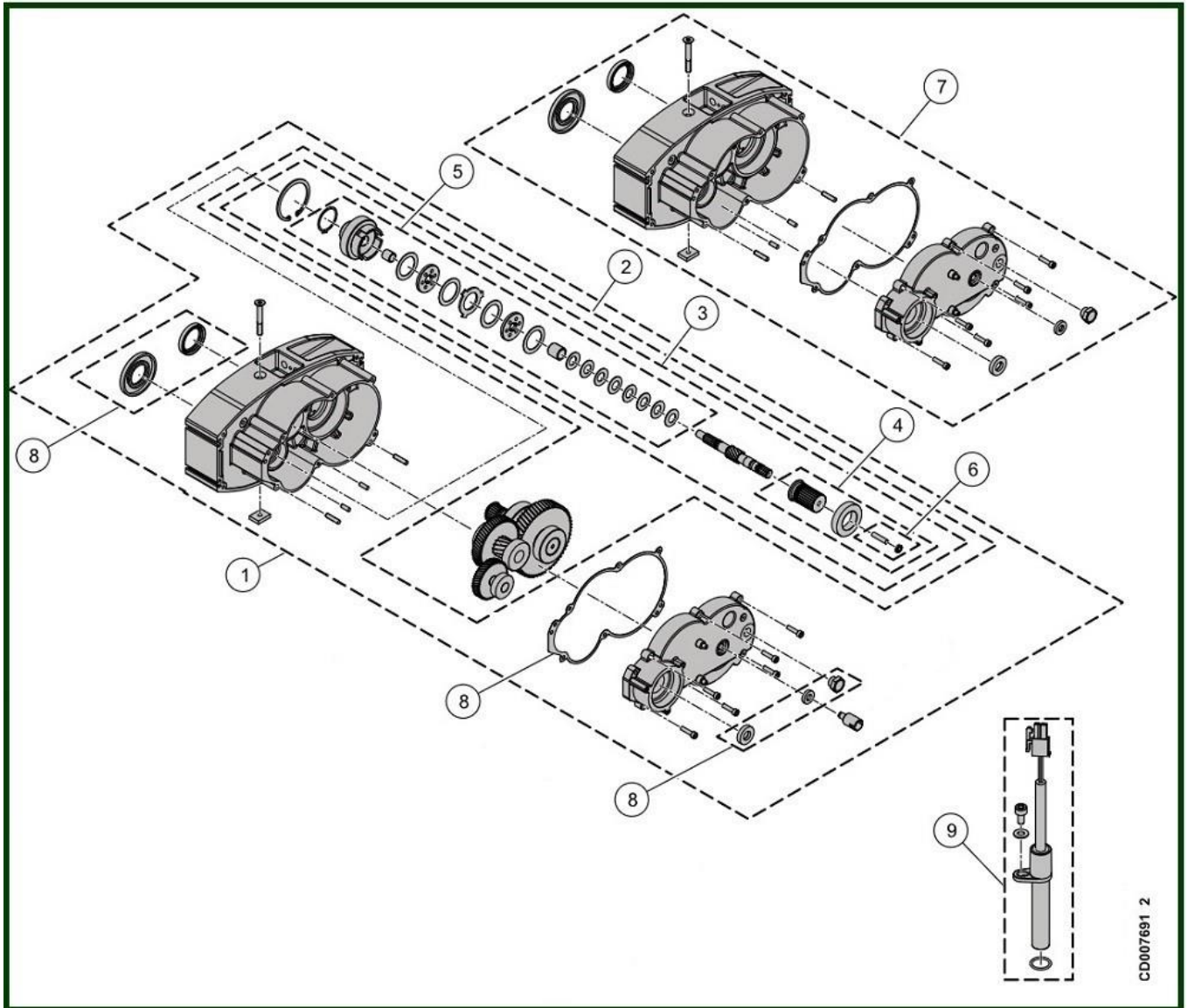
Item	Reference	Description	Observation	Quantity
1	<u>VT0006387</u>	Chain guide - Chain 7x20		1
2	<u>VT0005851</u>	Chain sprocket		1
3	<u>VT0006368</u>	Sealing set		1
4	<u>VT0007404</u>	Limit switch activator		1
5	<u>VT0006369</u>	Black chain - 7x20	T80 - Standard	1
5	<u>VT0009515</u>	Black chain - 7x20	T100 - Special	1
6	<u>VT0005575</u>	Chain fitting tool		1
7	<u>VT0007406</u>	Set of chain entry		1
8	<u>VT0006373</u>	Hook block	2 falls	1
9	<u>VT0005868</u>	Rubber chain stop	2 falls	1
10	<u>VT0006392</u>	Hook component	2 falls	1
11	<u>VT0005882</u>	Return sprocket		1
12	<u>VT0006374</u>	Hook assembly	2 falls	1
13	<u>VT0005902</u>	Safety latch	2 falls	1
14	<u>VT0006388</u>	Set of 10 load plates - Hook	500 Kg - 1 fall	1
14	<u>VT0006389</u>	Set of 10 load plates - Hook	1000 Kg - 1 fall	1
14	<u>VT0006390</u>	Set of 10 load plates - Hook	2000 Kg	1
15	<u>VT0008134</u>	Rubber chain stop	D40 T15 Replace old model rubber	1
15	<u>VT0005863</u>	Rubber chain stop - Old model	2 falls : Never use as chain stop side hook	1
16	<u>VT0007405</u>	Slack fall stop		1
17	<u>VT0006376</u>	Fixing stop	2 falls	1
18	<u>VT0006025</u>	Oil can		1
19	<u>VT0008561</u>	External chain guide		1



### 3. GEAR



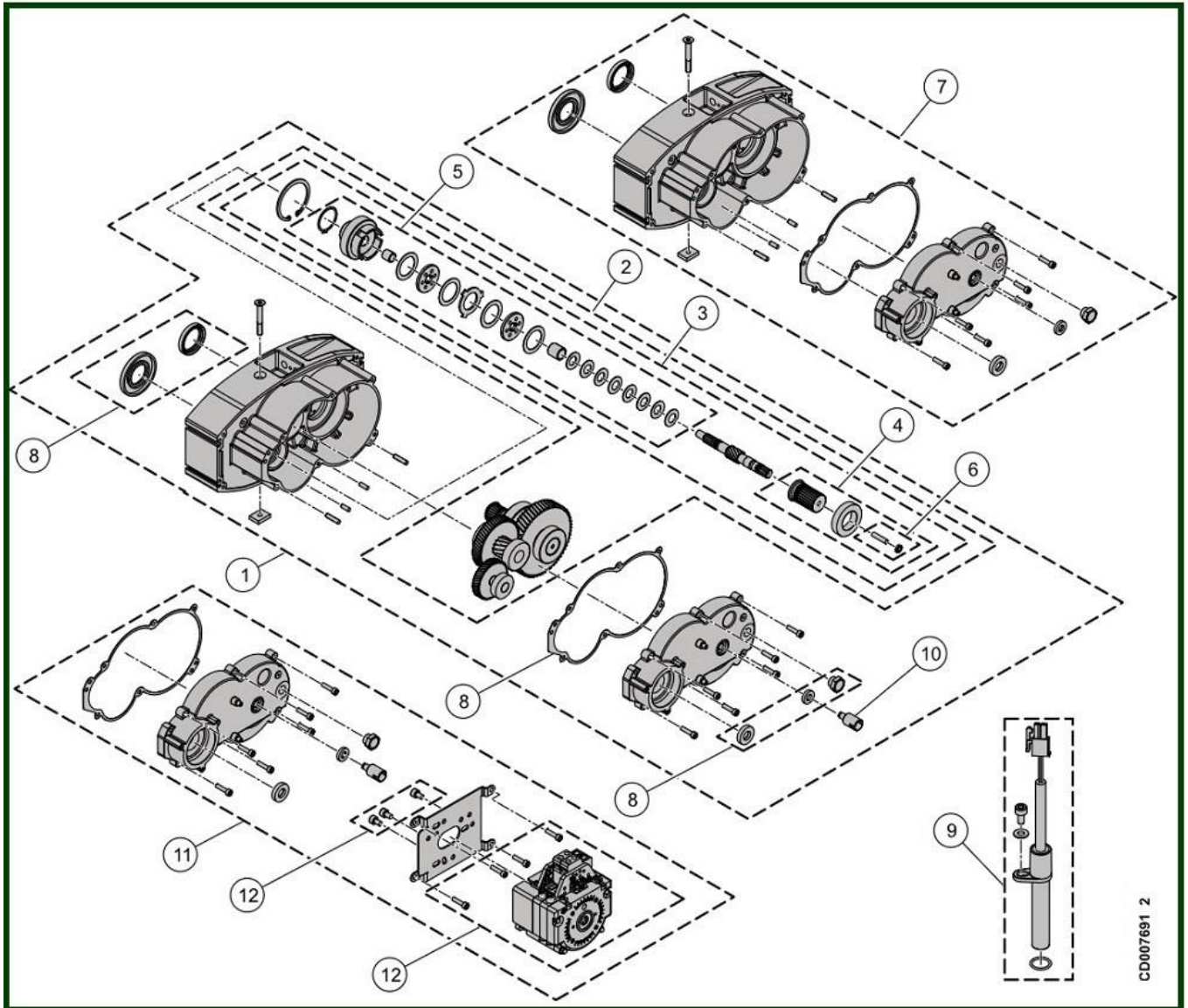
### 3.1. Standard limit switch & Magnetic



GEAR – Standard limit switch & Magnetic

Item	Reference	Description	Observation	Quantity
1	<u>VT0006968</u>	Gear assembly	8m/min - Standard Double brakes	1
1	<u>VT0006394</u>	Gear assembly	8m/min – Standard Single brake	1
1	<u>VT0007562</u>	Gear assembly	16m/min - Standard Double brakes	1
1	<u>VT0007561</u>	Gear assembly	16m/min – Standard Single brake	1
2	<u>VT0006398</u>	Gear / pinion set	8 m / min	1
2	<u>VT0007559</u>	Gear / pinion set	16 m / min	1
2	<u>VT0006970</u>	Gear pinions set	8 m/min	1
2	<u>VT0007560</u>	Gear pinions set	16 m/min	1
3	<u>VT0006969</u>	Gear shaft with clutch	8-10-16-20m/min Double brakes	1
3	<u>VT0005896</u>	Gear shaft with clutch	8 m/min + 10 m/min + 16 m/min 20 m/min	1
4	<u>VT0006525</u>	Coupling - Brake side	Double brakes	1
4	<u>VT0005897</u>	Coupling - Side brake		1
5	<u>VT0005894</u>	Clutch		1
6	<u>VT0005898</u>	Screws set		1
7	<u>VT0006375</u>	Frame		1
8	<u>VT0006526</u>	Sealings set	Standard + GLS	1
9	<u>VT0007547</u>	Hoisting limit switch	Magnetic	1

### 3.2. Geared limit switch & Magnetic

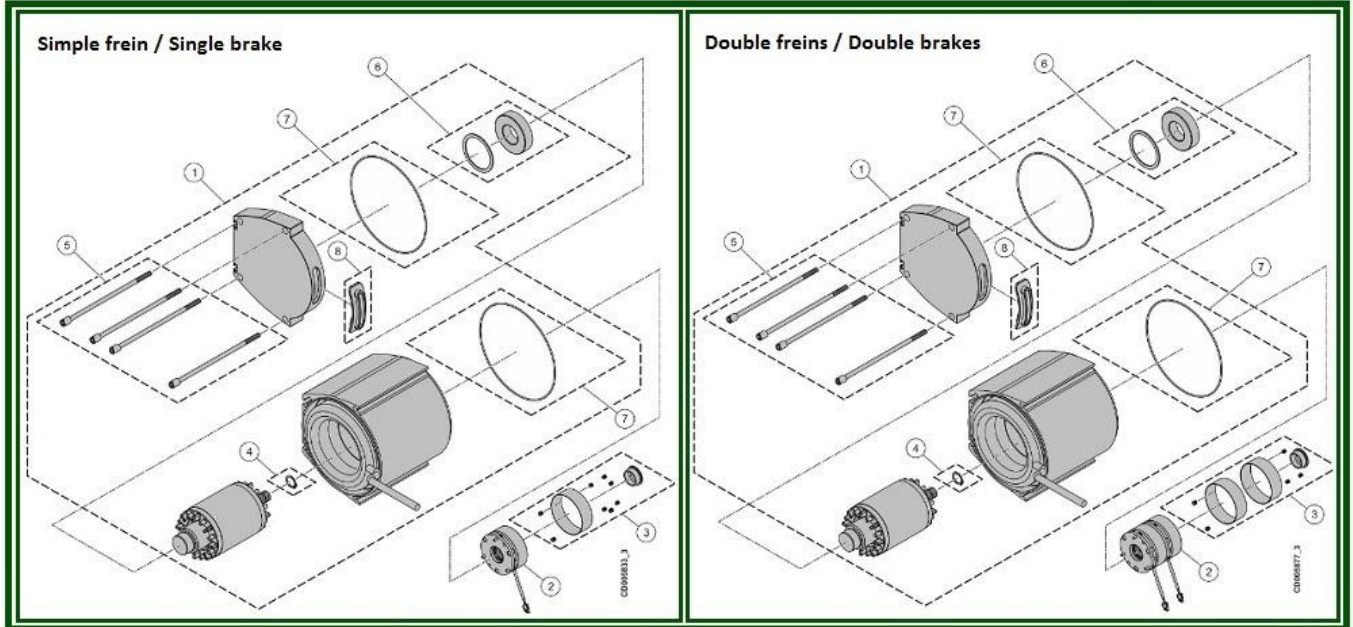


CD007691 2

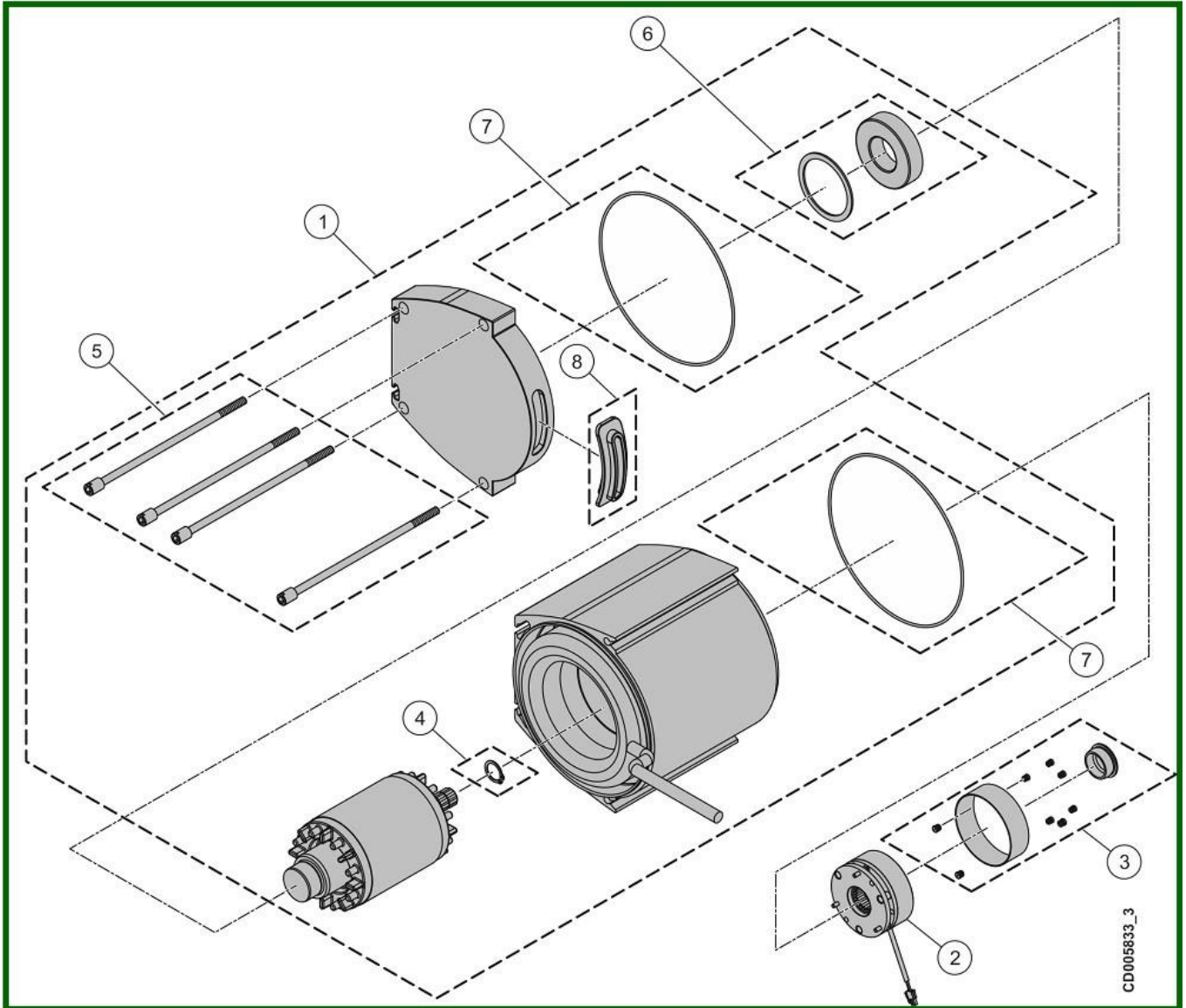
## GEAR – Gear limit switch &amp; Magnetic

Item	Reference	Description	Observation	Quantity
1	<u>VT0007564</u>	Gear assembly	GLS - 8 m/min Double brakes	1
1	<u>VT0007563</u>	Gear assembly	GLS - 8 m/min Single brake	1
1	<u>VT0007566</u>	Gear assembly	GLS - 16 m/min Double brakes	1
1	<u>VT0007565</u>	Gear assembly	GLS - 16 m/min Single brake	1
2	<u>VT0006398</u>	Gear / pinion set	8 m / min	1
2	<u>VT0007559</u>	Gear / pinion set	16 m / min	1
2	<u>VT0006970</u>	Gear pinions set	8 m/min	1
2	<u>VT0007560</u>	Gear pinions set	16 m/min	1
3	<u>VT0006969</u>	Gear shaft with clutch	8-10-16-20m/min Double brakes	1
3	<u>VT0005896</u>	Gear shaft with clutch	8 m / min + 10 m / min 16 m / min + 20 m / min	1
4	<u>VT0006525</u>	Coupling - Brake side	Double brakes	1
4	<u>VT0005897</u>	Coupling - Side brake		1
5	<u>VT0005894</u>	Clutch		1
6	<u>VT0005898</u>	Screws set		1
7	<u>VT0007567</u>	Frame	For geared limit switch	1
8	<u>VT0006527</u>	Sealing set		1
9	<u>VT0007547</u>	Hoisting limit switch	Magnetic	1
10	<u>VT0006251</u>	Gearwheel	For geared limit switch	1
11	<u>VT0007568</u>	Geared limit switch - 2 steps	SR2 : 20m - SR5 : 25m SR10 : 1B 37m - 2B : 18.5m	1
11	<u>VT0008168</u>	Geared limit switch - 4 steps	SR2 : 20m - SR5 : 25m SR10 : 1B 37m - 2B : 18.5m	1
12	<u>VT0007569</u>	Geared limit switch 2 steps with screws set	SR2 : 20m - SR5 : 25m SR10 : 1B 37m - 2B : 18.5m	1
12	<u>VT0007570</u>	Geared limit switch 4 steps with screws set	SR2 : 20m - SR5 : 25m SR10 : 1B 37m - 2B : 18.5m For geared limit switch	1

## 4. MOTOR



### 4.1. Single brake

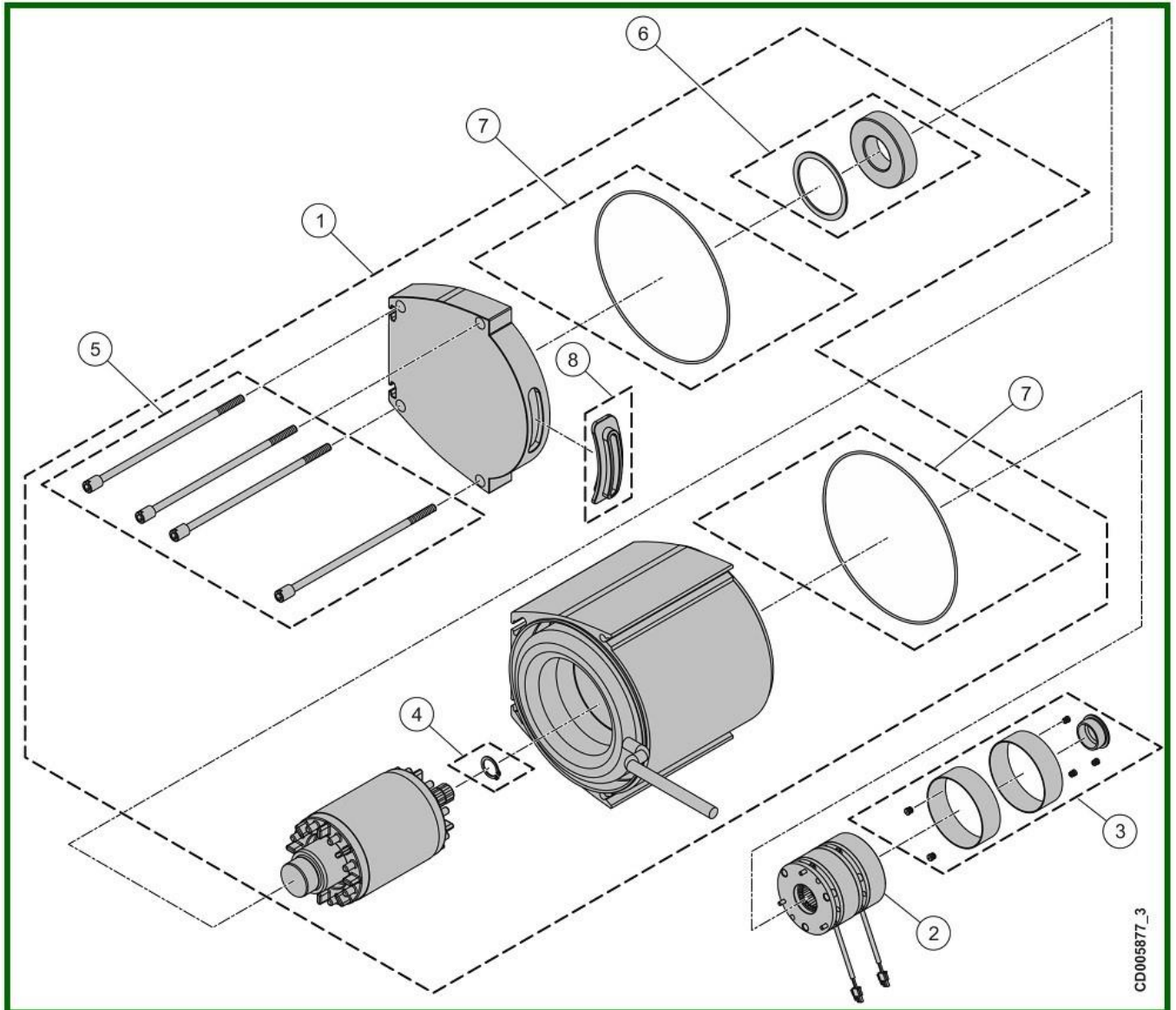


MOTOR – Single brake

Item	Reference	Description	Observation	Quantity
1	<u>VT0006381</u>	Motor - 1 speed 220-240V - 50Hz	1500 t	1
1	<u>VT0006380</u>	Motor - 1 speed 380-415V - 50Hz / 440-480 - 60Hz	1500 t	1
1	<u>VT0006378</u>	Motor - 2 speeds 220-240V - 50Hz	3000 t	1
1	<u>VT0006377</u>	Motor - 2 speeds 380-415V - 50Hz / 440-480V - 60Hz	3000 t	1
2	<u>VT0008037</u>	Single brake	103V	1
2	<u>VT0008038</u>	Single brake	190V	1
3	<u>VT0009215</u>	Waterproof sealings set for the brake	Single brake	1
4	<u>VT0005916</u>	Retaining ring		1
5	<u>VT0006530</u>	Screws set		1
6	<u>VT0006529</u>	Bearing set		1
7	<u>VT0006528</u>	Sealings set for motor		1
8	<u>VT0009244</u>	Grommet		1



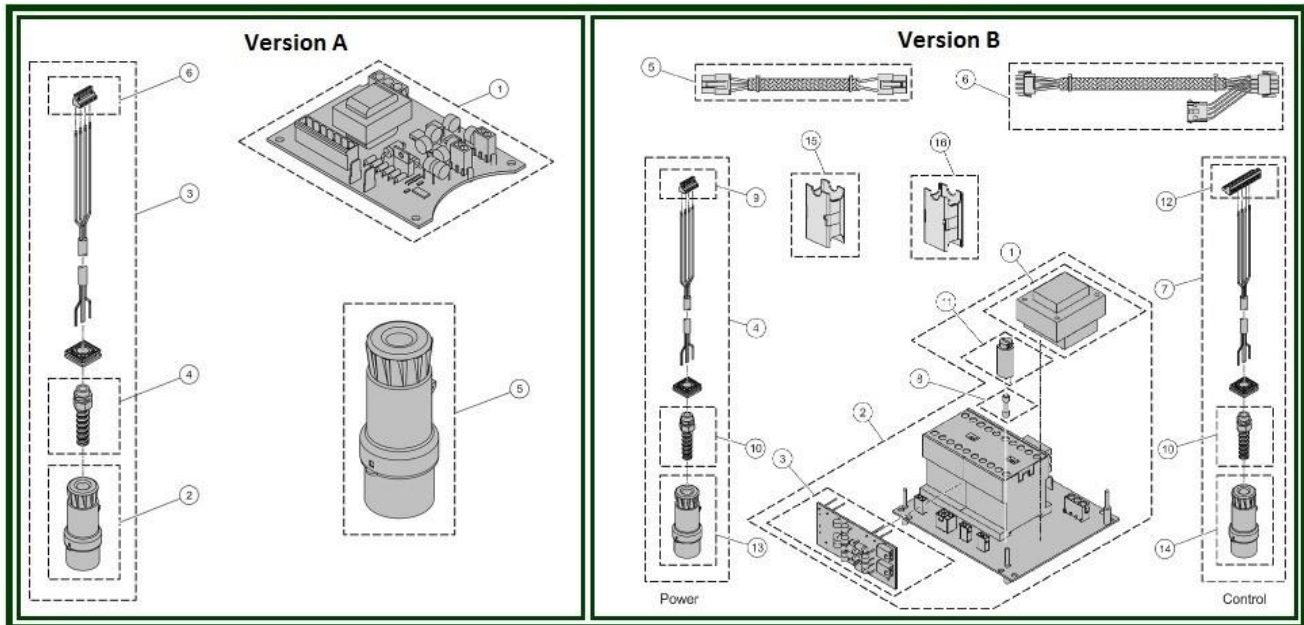
## 4.2. Double brakes



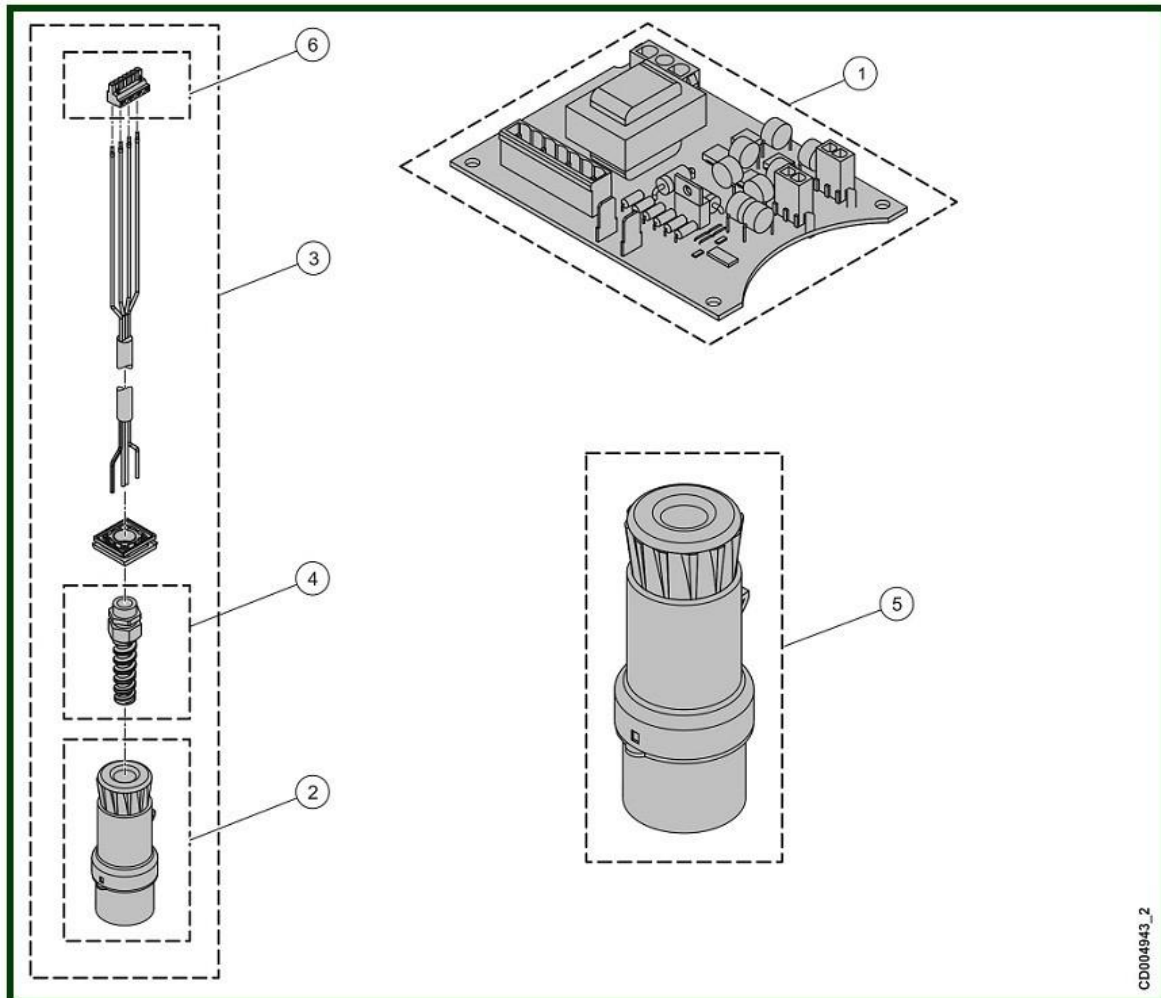
MOTOR - Double brakes

Item	Reference	Description	Observation	Quantity
1	<u>VT0006381</u>	Motor - 1 speed 220-240V - 50Hz	1500 tours	1
1	<u>VT0006380</u>	Motor - 1 speed 380-415V - 50Hz / 440-480 - 60Hz	1500 tours	1
1	<u>VT0006378</u>	Motor - 2 speeds 220- 240V - 50Hz	3000 tours	1
1	<u>VT0006377</u>	Motor - 2 speeds 380-415V - 50Hz / 440-480V - 60Hz	3000 tours	1
2	<u>VT0008039</u>	Double brakes	103V	1
2	<u>VT0008040</u>	Double brakes	190V	1
3	<u>VT0009216</u>	Waterproof sealing set for brake	Doubles brakes	1
4	<u>VT0005916</u>	Retaining ring		1
5	<u>VT0006530</u>	Screws set		1
6	<u>VT0006529</u>	Bearing set		1
7	<u>VT0006528</u>	Sealings set for motor		1
8	<u>VT0009244</u>	Grommet		1

## 5. ELECTRICAL PARTS



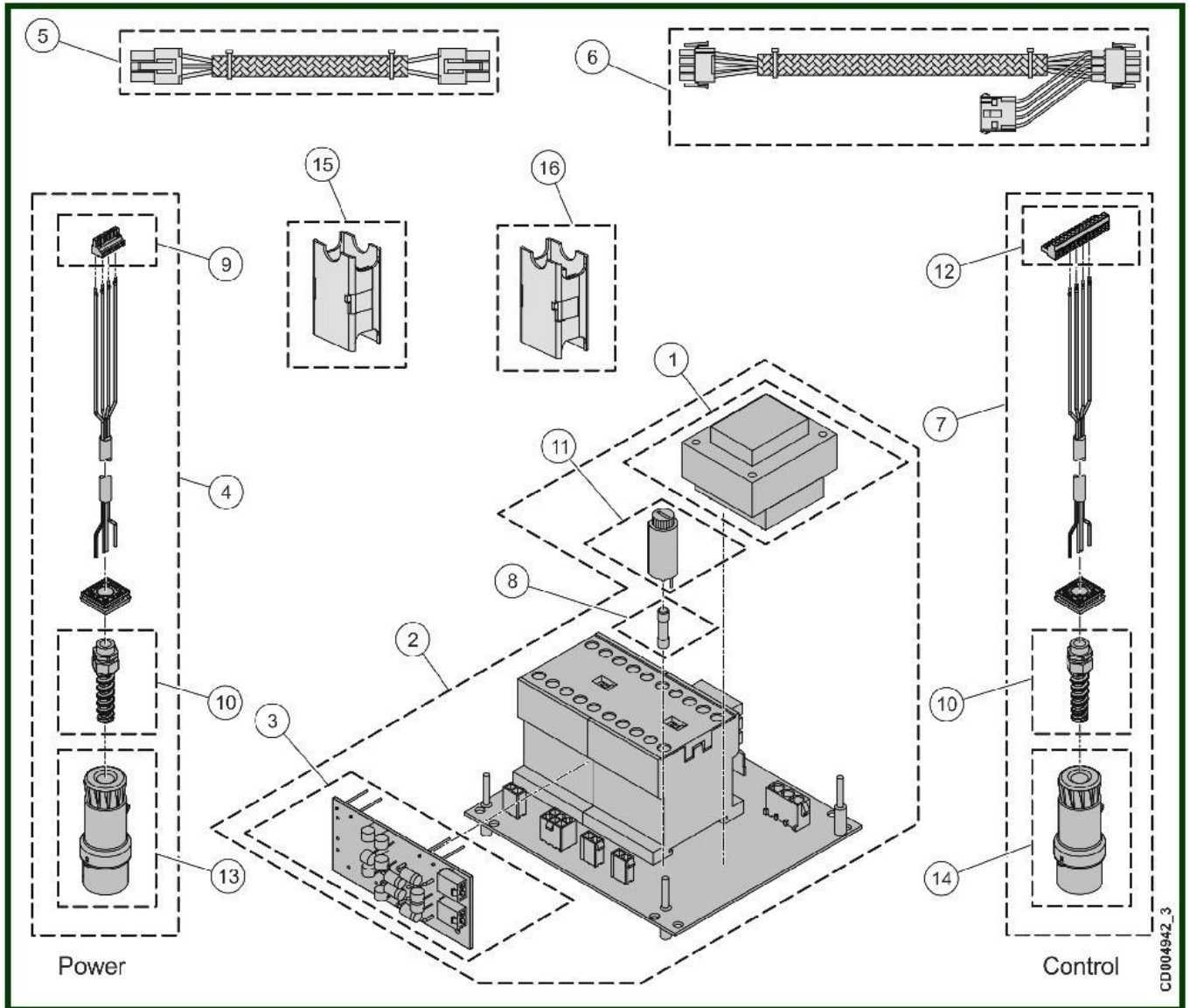
### 5.1. Version A



CD004943\_2

Item	Reference	Description	Observation	Quantity
1	<a href="#">VT0006000</a>	ACF card	1 speed	1
2	<a href="#">VT0006087</a>	Power supply male blue plug	230V / 3P+T EXCEPT USA	1
2	<a href="#">VT0006086</a>	Power supply male red plug	400V/3P+T EXCEPT USA	1
3	<a href="#">VT0006078</a>	Power supply male blue plug with cable	230V / 3P+T / 50-60Hz EXCEPT USA	1
3	<a href="#">VT0006076</a>	Power supply male red plug with cable	400V / 3P+T / 380-415V / 50-60Hz EXCEPT USA	1
4	<a href="#">VT0006399</a>	Spiral cable gland	EXCEPT USA	1
5	<a href="#">VT0006085</a>	Female blue plug	230V / 3P+T	1
5	<a href="#">VT0006001</a>	Female red plug	400V / 3P+T	1
6	<a href="#">VT0005107</a>	Power connector - 4 P	CE /SX07 /SCPB 1 speed	1

### 5.2. Version B



CD004942\_3

### Electrical parts – B Version

Item	Reference	Description	Observation	Quantity
1	<a href="#">VT0006193</a>	Transformer - 208V / 115V		1
1	<a href="#">VT0006407</a>	Transformer - 230V / 48V		1
1	<a href="#">VT0006408</a>	Transformer - 230V / 115V		1
1	<a href="#">VT0006192</a>	Transformer - 400V / 48V		1
1	<a href="#">VT0006406</a>	Transformer - 460V / 115V		1
2	<a href="#">VT0006097</a>	Electrical board - 1 speed - 2 brakes	208V / 50-60Hz / 115V	1
2	<a href="#">VT0006404</a>	Electrical board - 1 speed - 2 brakes	230V / 50Hz / 48V	1
2	<a href="#">VT0006405</a>	Electrical board - 1 speed - 2 brakes	230V / 50Hz / 115V	1
2	<a href="#">VT0006099</a>	Electrical board - 1 speed - 2 brakes	400V / 50Hz / 48V	1
2	<a href="#">VT0006098</a>	Electrical board - 1 speed - 2 brakes	460V / 50-60Hz / 115V	1
3	<a href="#">VT0004947</a>	Rectifier - 2 brakes	208V - 690V	1
4	<a href="#">VT0006078</a>	Power supply male blue plug with cable	230V / 3P+T / 50-60HZ EXCEPT USA	1
4	<a href="#">VT0006076</a>	Power supply male red plug with cable	400V / 3P+T / 380 - 415V / 50-60HZ EXCEPT USA	1
5	<a href="#">VT0004949</a>	Wire harness / plug control voltage		1
6	<a href="#">VT0004950</a>	Wire harness / plug control voltage		1
7	<a href="#">VT0006409</a>	Control yellow plug with cable	EXCEPT USA	1
8	<a href="#">VT0006194</a>	Fuses set - 48V		1
8	<a href="#">VT0006195</a>	Fuses set - 115V		1
9	<a href="#">VT0005107</a>	Power connector - 4 P	CE /SX07 /SCPB 1 vitesse / 1 speed	1
10	<a href="#">VT0006399</a>	Spiral cable gland	EXCEPT USA	1
11	<a href="#">VT0006191</a>	Fuses bases		1
12	<a href="#">VT0006412</a>	Control connector - 5 P	721-2105	1
13	<a href="#">VT0006087</a>	Power supply male blue plug	230V / 3P+T EXCEPT USA	1
13	<a href="#">VT0006086</a>	Power supply male red plug	400V/3P+T EXCEPT USA	1
14	<a href="#">VT0006761</a>	Control yellow plug - Female		1
15	<a href="#">VT0006410</a>	Power adapter	208V-600V	1
16	<a href="#">VT0006411</a>	Control adapter	24V-230V	1