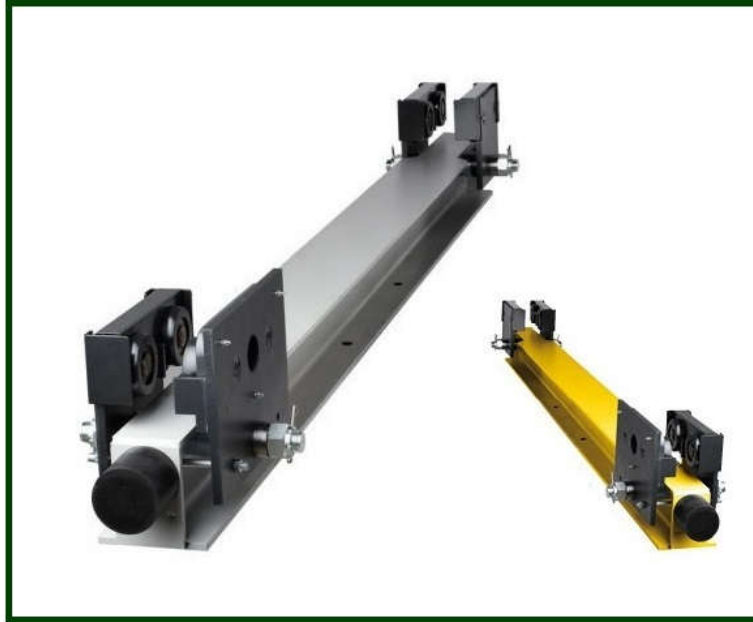


Spare parts catalog for "Endtruck UT"

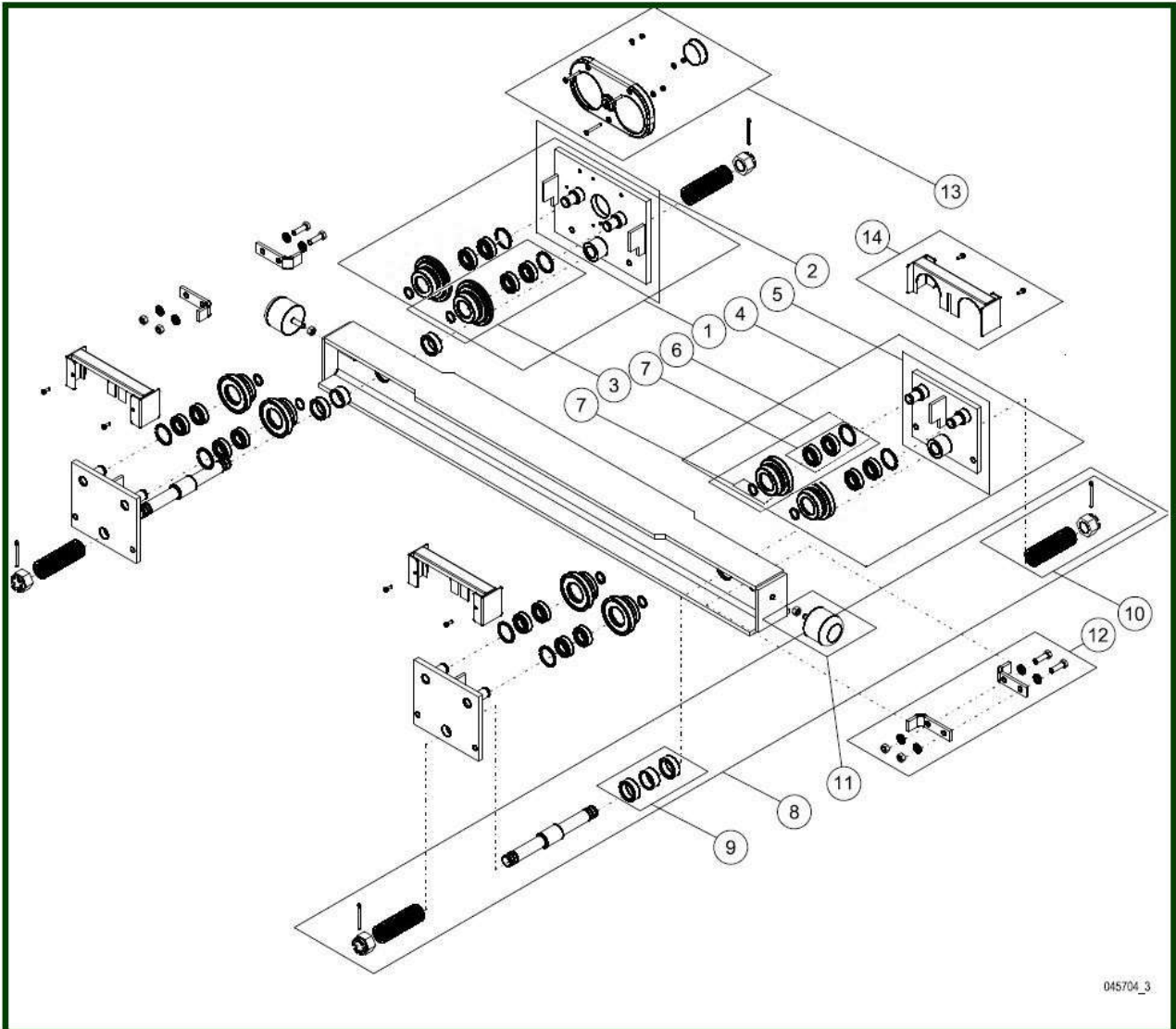
To avoid errors, when ordering please specify:

- Complete type of hoist
 - Date of manufacture and serial number
 - Spare part code
 - Spare part designation
 - Additional information
-



- 1) ENDTRUCK UT 08
- 2) ENDTRUCK UT 10
- 3) GEAR
- 4) MOTOR OF TRANSLATION TYPE MF06 - COMPACT BRAKE
- 4.1) Motor of translation MF06 - Compact brake MA 100/MA200/LA200/LA20P
- 5) MOTOR OF TRANSLATION MF06 - ELECTRICAL BRAKE LB100/LB200
- 6) MOTOR OF TRANSLATION MF07X

1) ENDTRUCK UT 08

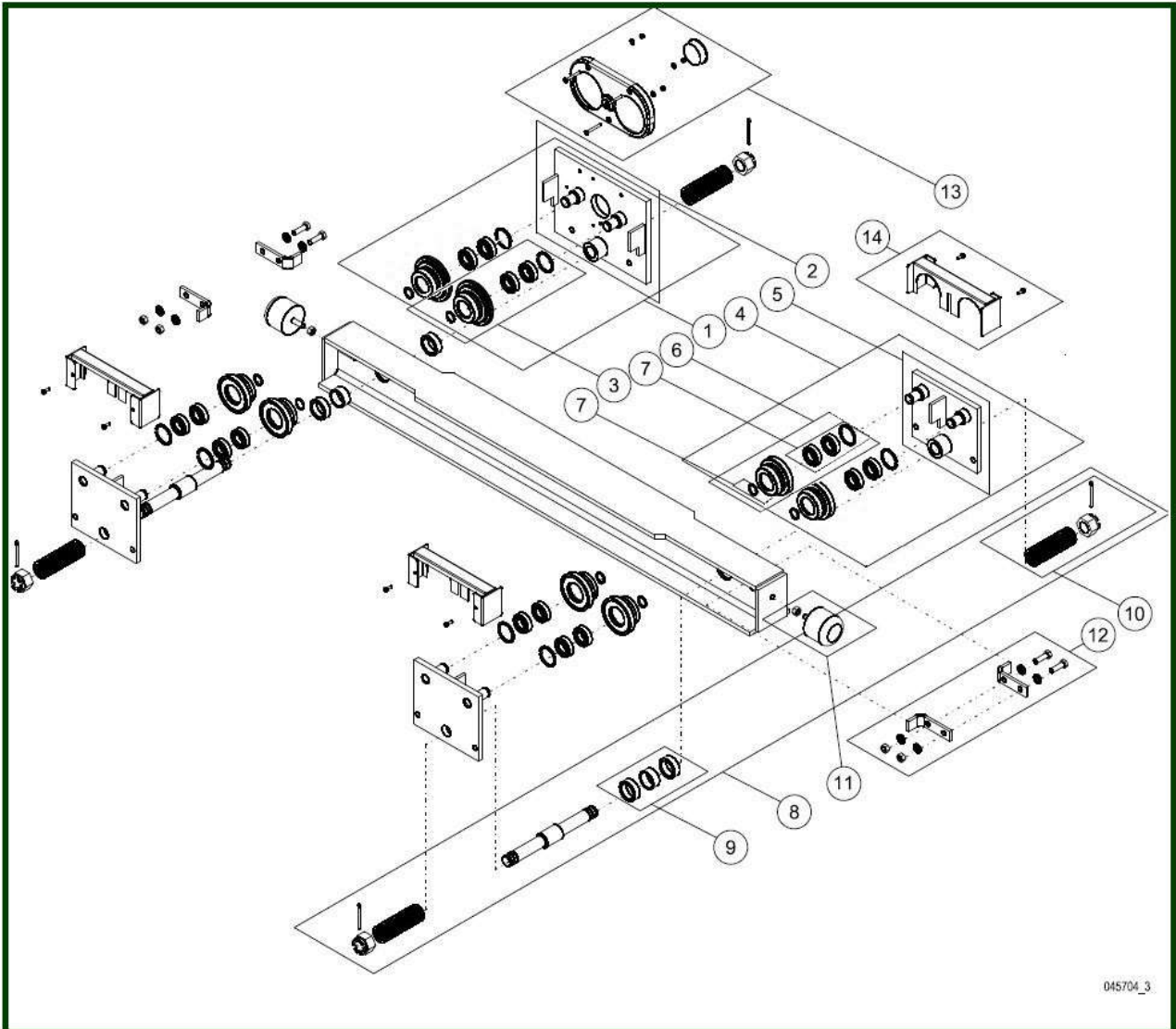


045704_3

item	reference	description	observation	Quantity
1	VT0003725	Side plate - Driving		1
2	VT0004554	Side plate - Driving		1
3	VT0003730	Travel wheel - Driving	Quantité par sommier/Quantity by endtruck	2
4	VT0003726	Side plate - Idle		1
5	VT0003728	Side plate - Idle		1
6	VT0003731	Travel wheel - Idle	Quantité par sommier/Quantity by endtruck	6
7	VT0003733	Bearing set		8
8	VT0003718	Tie rod		1
8	VT0003719	Tie rod		1
8	VT0003720	Tie rod		1
8	VT0003716	Tie rod	From 60 to 121	1
8	VT0003717	Tie rod	From 111 to 169	1
9	VT0003736	Sleeve set		1
9	VT0003737	Sleeve set		1
9	VT0003738	Sleeve set		1
9	VT0003734	Sleeve set	From 60 to 121	1
9	VT0003735	Sleeve set	From 111 to 169	1
10	VT0003739	Fixing set		1
11	VT0001033	Buffer	80x68 - D2240 - B - Sommier / End carriage GT A partir / From H0315168	1

11	<u>VT0001730</u>	Buffer	100x85-12x30 - D2241 - C - Sommier / End carriage GT A partir / From H0315168	1
11	<u>VT0000877</u>	Buffer	Système de mouflage / Reeving system 02-04 D1801 - VT2 & VT3- A partir / From H0315168	1
11	<u>VT0004003</u>	Polyurethane buffer	80x80	1
11	<u>VT0001722</u>	Polyurethane buffer	100x100-12x40 E - Sommier / End carriage GT	1
11	<u>VT0001723</u>	Polyurethane buffer	100x150-12X40 E - Sommier / End carriage GT	1
13	<u>VT0004526</u>	Cover - Travel driving		1
14	<u>VT0004525</u>	Cover - Travel idle		1

2) ENDTRUCK UT 10



045704_3

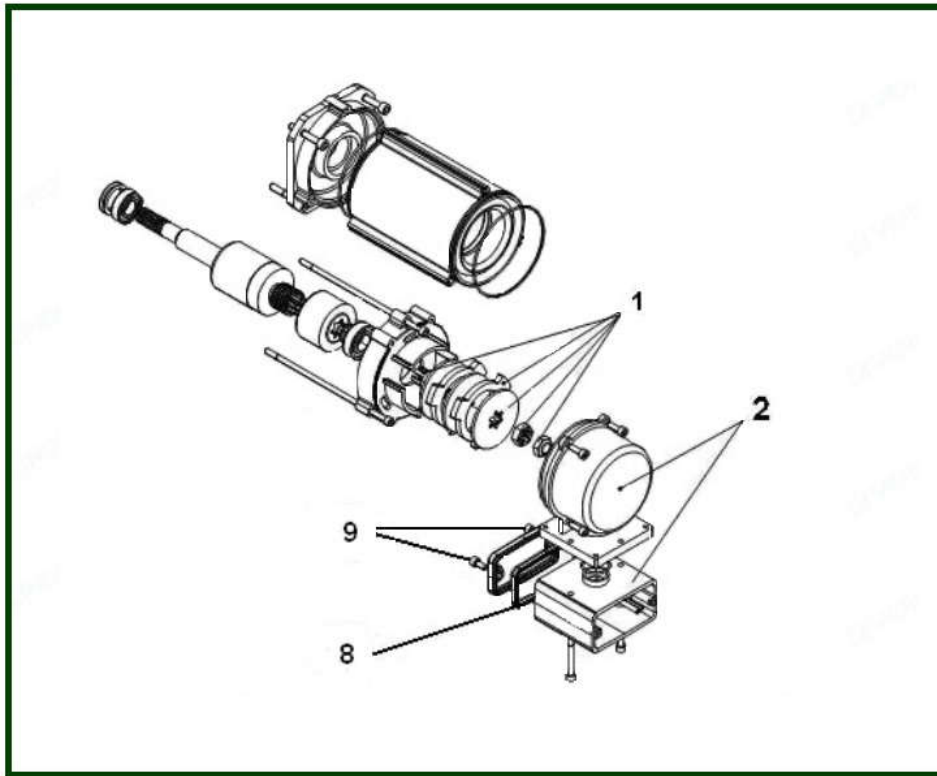
item	reference	description	observation	Quantity
1	VT0003870	Side plate - Driving		1
2	VT0003874	Side plate - Driving		1
3	VT0003875	Travel wheel - Driving	Quantité par sommier/Quantity by entruck	2
4	VT0003871	Side plate - Idle		1
5	VT0003894	Side plate - Idle		1
6	VT0003876	Travel wheel - Idle	Quantité par sommier/Quantity by entruck	6
7	VT0003879	Bearing set		8
8	VT0003882	Tie rod		1
8	VT0003883	Tie rod		1
8	VT0003884	Tie rod		1
8	VT0003880	Tie rod	From 58 to 130	1
8	VT0003881	Tie rod	From 110 to 178	1
9	VT0003889	Sleeve set		1
9	VT0003890	Sleeve set		1
9	VT0003891	Sleeve set		1
9	VT0003887	Sleeve set	From 58 to 130	1
9	VT0003888	Sleeve set	From 110 to 178	1
10	VT0003893	Fixing set		1
11	VT0001033	Buffer	80x68 - D2240 - B - Sommier / End carriage GT A partir / From H0315168	1

11	<u>VT0001730</u>	Buffer	100x85-12x30 - D2241 - C - Sommier / End carriage GT A partir / From H0315168	1
11	<u>VT0000877</u>	Buffer	Système de mouflage / Reeving system 02-04 D1801 - VT2 & VT3- A partir / From H0315168	1
11	<u>VT0004003</u>	Polyurethane buffer	80x80	1
11	<u>VT0001722</u>	Polyurethane buffer	100x100-12x40 E - Sommier / End carriage GT	1
11	<u>VT0001723</u>	Polyurethane buffer	100x150-12X40 E - Sommier / End carriage GT	1
13	<u>VT0004527</u>	Cover - Travel driving		1
14	<u>VT0004528</u>	Cover - Travel idle		1

3) Gear

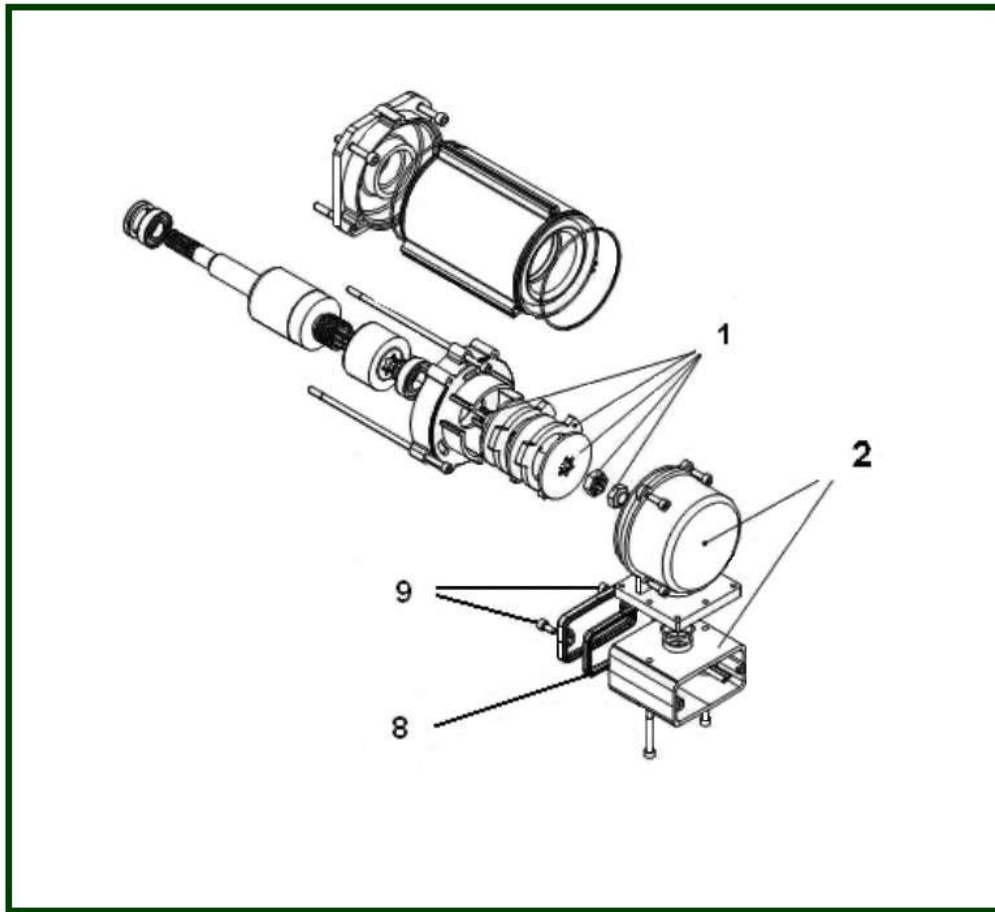
item	reference	description	observation	Quantity
1	<u>VT0003786</u>	Gear	GEK206PT1 for MF06MA - MF06MA104 - MF06LA	1
1	<u>VT0007502</u>	Gear	GEK206VT1 for MF06LB - MF07X	1

4) Motor of translation type MF06 - Compact brake



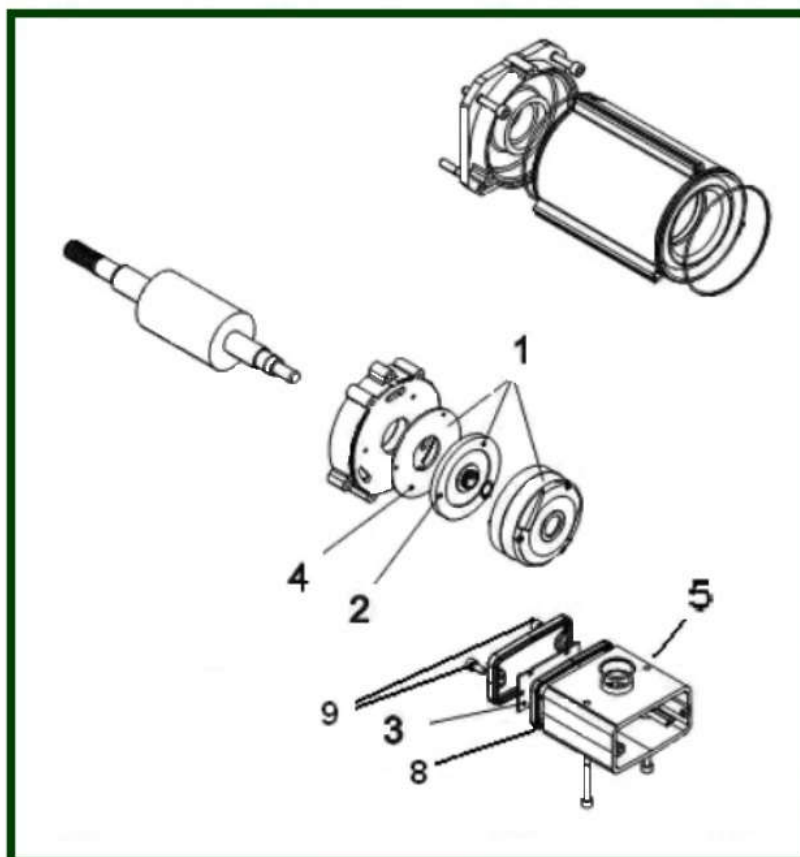
item	reference	description	observation	Quantity
1	VT0001548	Brake repairing set	MF 06	1
2	VT0000728	Junction box	MF06	1
8	52264520	Terminal box gasket		1
9	52271722	Fixing screw		1
-	52302321	Female plug set	MF 06 10 broches / pins	1
-	52296674	Filter VT007		1
-	52272627	Inverter VT007		1

4.1) Motor of translation MF06 - Compact brake MA100/MA200/LA200/LA20P



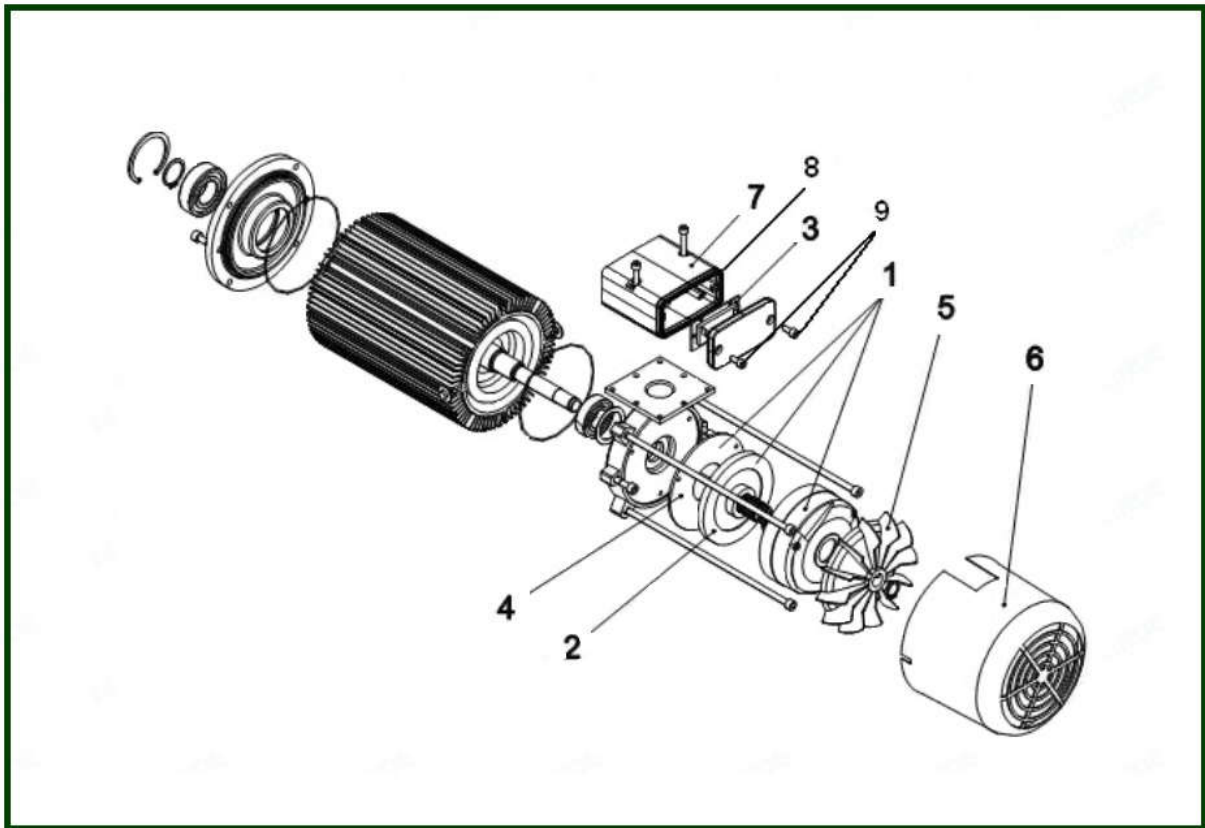
item	reference	description	observation	Quantity
1	VT0001548	Brake repairing set	MF 06	1
2	VT0000728	Junction box	MF06	1
8	52264520	Terminal box gasket		1
9	52271722	Fixing screw		1
-	52302321	Female plug set	MF 06 10 broches / pins	1
-	52296674	Filter VT007		1
-	52272627	Inverter VT007		1

5) Motor of translation MF06 - Electrical brake LB100/LB200



item	reference	description	observation	Quantity
1	VT0001546	Brake - 100V	Moteur / Motor 230 V	1
1	VT0001545	Brake - 180V	Moteur / Motor 400V	1
2	VT0001549	Brake disk	MF 06	1
3	15823007	Rectifier	Moteur / Motor 220V	1
3	15823006	Rectifier	Moteur / Motor 380 à 550V	1
5	VT0000728	Junction box	MF06	1
8	52264520	Terminal box gasket		1
9	52271722	Fixing screw		1
-	52302321	Female plug set	MF 06 10 broches / pins	1

6) Motor of translation MF07X



item	reference	description	observation	Quantity
1	52318993	Complete brake - 180V		1
1	52318995	Complete brake - 240V		1
2	VT0001559	Brake disk		1
3	15823007	Rectifier	Moteur / Motor 220V	1
3	15823006	Rectifier	Moteur / Motor 380 à 550V	1
4	VT0001560	Friction disk		1
5	VT0001561	Fan		1
6	VT0001563	Motor cover		1
7	VT0001564	Terminal box	GES/MF07X	1
8	52264520	Terminal box gasket		1
9	52271722	Fixing screw		1
-	52302321	Female plug set	MF 06 10 broches / pins	1