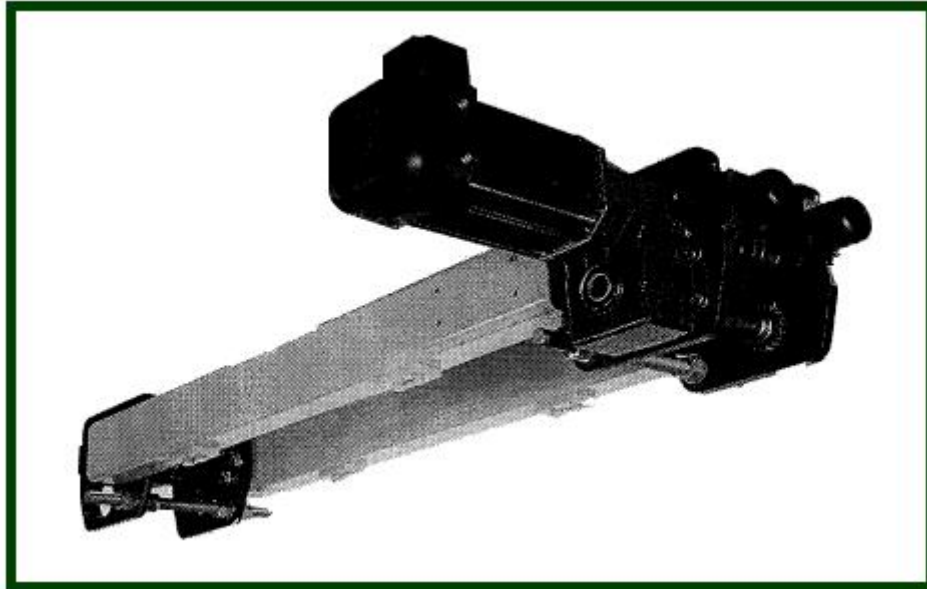


Spare parts catalog for " VB end carriages "

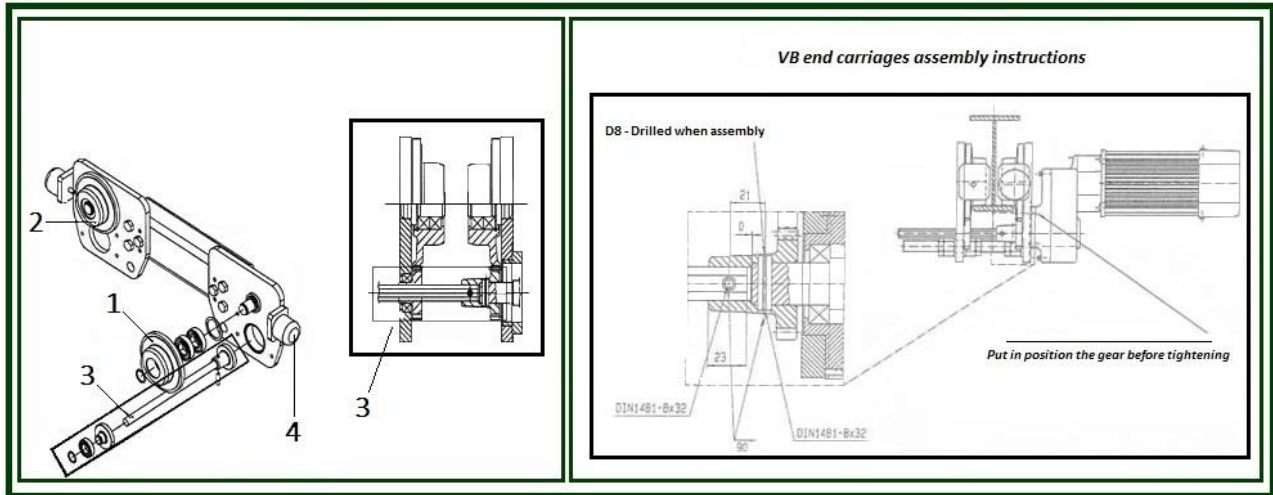
To avoid errors, when ordering please specify:

- Complete type of hoist
- Date of manufacture and serial number
- Spare part code
- Spare part designation
- Additional information



1. VB END CARRIAGES	2
2. TRAVELLING MOTOR MF07	3
3. GEARBOXES CROSS / LONG TRAVEL	4
4. TRAVELLING MACHINERY SELECTION TABLE	5

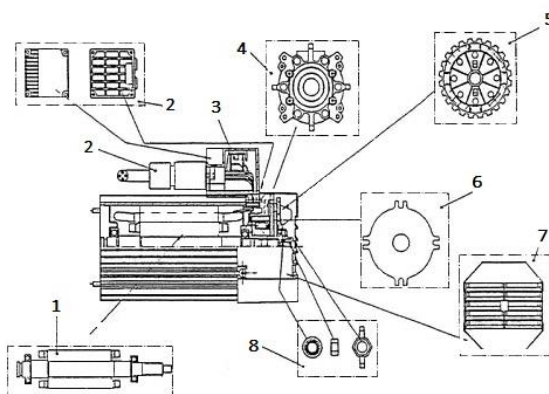
1. VB END CARRIAGES



Item	Reference	Description	Observation	Quantity
1	1113508	Complete travel wheel - Driving Ø 100	VB10D: 100mm - VB10D - VS2..R..O (VSX)	4
1	1133508	Complete travel wheel - Driving Ø 125mm	Trolley 1 GMR (2) - Trolley 2 GMR (4) VB13	4
1	1143508	Complete travel wheel - Driving Ø160	VB16	4
2	1113507	Complete wheel - Idle Ø 100	VB10D:100mm - VB10D - VS2..R..O (VSX)	4
2	1133507	Complete wheel - Idle Ø 125mm	Trolley 1 GMR (2) - Trolley 2 GMR (4) VB13	4
2	1143519	Complete wheel - Idle Ø160	VB16	4
3	VBGW-S200	Pinion set + Shaft + Pin	Fer ≤ 200 mm – 19 teeth	2
3	VBGW-S350	Pinion set + Shaft + Pin	From 200 to 350 mm – 19 teeth	2
4	15038001	Buffer	All types	4
5	P1LA023	Drive pinion	All types	2

2. TRAVELLING MOTOR MF07

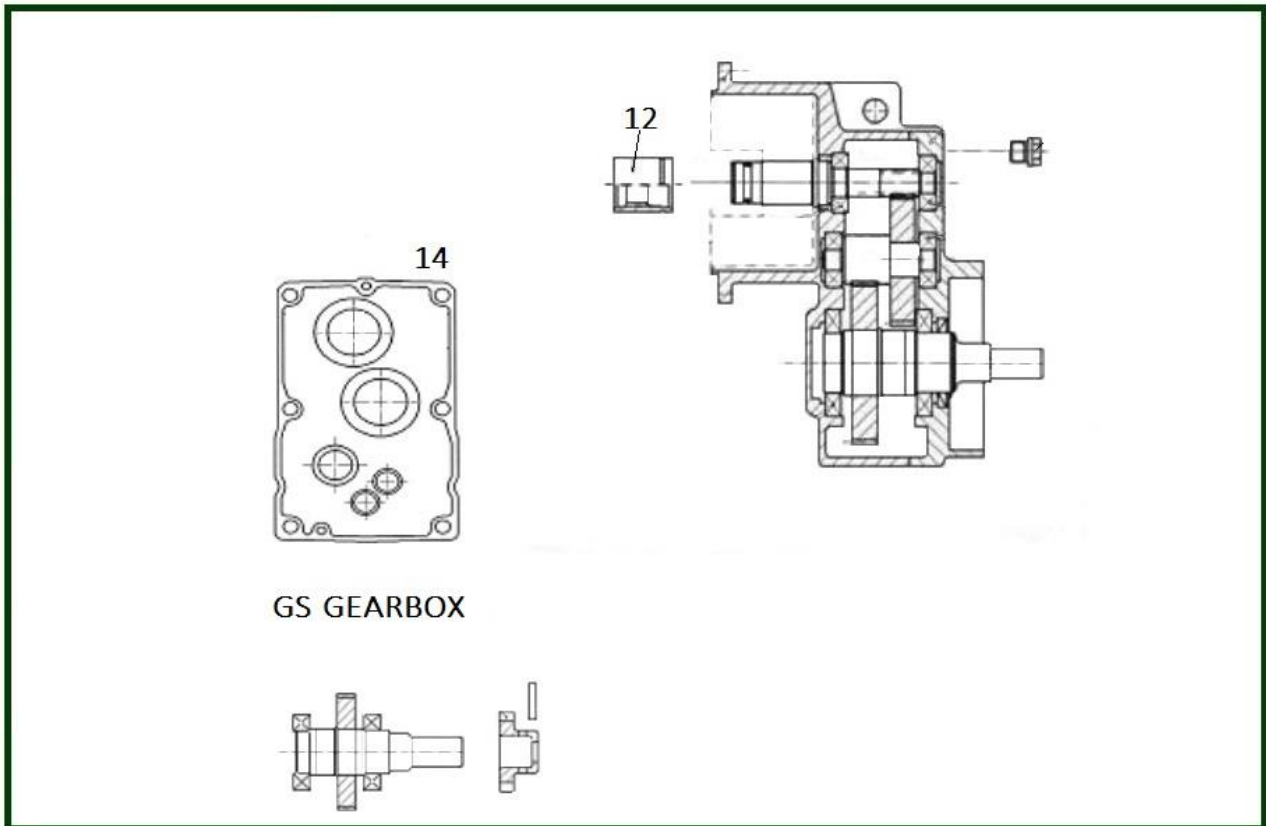
Code ancien moteur Prise WIELAND	Code nouveau moteur Prise plastique au 1/5/99	Moteur	Vitesse Tr/min	Puissance	Tension
25808102	25808102P	MF07LA104	3000/750	0.25/0.06kw	220V/50HZ
25808103	25808103P	MF07LA104	3000/750	0.25/0.06kw	380V/50HZ
25809103	25809103P	MF07LA104+PTC	3000/750	0.25/0.06kw	380V/50HZ
25808104	25808104P	MF07LA104	3000/750	0.25/0.06kw	415V/50HZ
25518102	25518102P	MF07LA206	1500/500	0.27/0.07kw	220V/50HZ
25518103	25518103P	MF07LA206	1500/500	0.27/0.07kw	380/400V/50HZ
25518104	25518104P	MF07LA206	1500/500	0.27/0.07kw	415V/50HZ
25808302	25808302P	MF07LB104	3000/750	0.45/0.11kw	220V/50HZ
25808303	25808303P	MF07LB104	3000/750	0.45/0.11kw	380/400V/50HZ
25808304	25808304P	MF07LB104	3000/750	0.45/0.11kw	415V/50HZ
25809302	25809302P	MF07LB104+PTC	3000/750	0.45/0.11kw	230V/50HZ
25809303	25809303P	MF07LB104+PTC	3000/750	0.45/0.11kw	380V/50HZ
25809304	25809304P	MF07LB104+PTC	3000/750	0.45/0.11kw	415V/50HZ
25518202	25518202P	MF07ZB206	1500/500	0.37/0.10kw	220V/50HZ
25518203	25518203P	MF07ZB206	1500/500	0.37/0.10kw	380/400V/50HZ
25518204	25518204P	MF07ZB206	1500/500	0.37/0.10kw	415V/50HZ
25508412	25508412P	MF07ZC104	3000/750	0.65/0.15kw	220V/50HZ
25508413	25508413P	MF07ZC104	3000/750	0.65/0.15kw	380/400V/50HZ
25508414	25508414P	MF07ZC104	3000/750	0.65/0.15kw	415V/50HZ
-	25808112	MF07S104	3000/750	0.20/0.05kw	230V/50HZ
-	25808113	MF07S104	3000/750	0.20/0.05kw	400V/50HZ
-	52297888	MF07LB100	3000	0.45kw	400V/50HZ



Item	Reference	Description	Observation	Quantity
2	15822002	Complete connecting WIELAND box	Before 1999	1
2	15522001	Complete connecting plastic box		1
2	52298744	Complete connecting box q plug	With set VT hoist	1
2	1113211	Female plastic socket		1
3	15823007	Rectifier	Motor 220V	1
3	15823006	Rectifier	Motor 380 à 550V	1
4	15823001	Brake coil with holder	170V	1
5	15823004	Brake wheel with friction material		1
6	15823003	Fixed braking armature		1
7	15822001	Brake coil with holder		1
8	15823005	Brake disc locking set		1
	15823002	Spring set - 6 parts	MF07LA104/2NM : Quantity 3 MF07LA206/2.6NM : Quantity 4 MF07LB104/2.6NM : Quantity 4 MF07ZC104/4NM : Quantity 6 MF07S104/2NM : Quantity 3	3

3. GEARBOXES CROSS / LONG TRAVEL

From 1998 to 2008



Item	Reference	Description	Observation	Quantity
12	P1G0005	Coupling	VS1 N1 - VS3 N2 To february 1996	1
14	15803206	Set of sealing	Gear GS2-GS3	1
-	15803204	Set of bearings	Gear GS313-315-320-325-332 RPL	1
-	15803205	Set of bearings	Gear GS340 RPL	1
-	1117511	Gear GS113RPC		1
-	1117510	Gear GS115RPC	Speed 20/5 After april 1999	1
-	1117509	Gear GS120RPC		1
-	1117500	Gear GS309RPC		1
-	1117503	Gear GS313RPC		1
-	1117504	Gear GS315RPC	Speed 20/5	1
-	1117505	Gear GS320RPC	Speed 20/5	1
-	1117506	Gear GS325RPC		1
-	1117507	Gear GS332RPC	Speed 10/2,5	1
-	1117508	Gear GS340RPC	Speed 10/2,5	1

4. TRAVELLING MACHINERY SELECTION TABLE

VB10, Speed/vitesse m/mn (50Hz)	VB13 ratio rapport	total weight <2000	with load <4000	kg <6000	/ poids total (FEM 2m) <8000	en charge <10000
5/1.33	32	A	A	A	A	A
8/2.66	20	A	A	A	A	A
10/2.5	32	B	B	B	B	B
12/3	25	B	B	B	B	B
16/4	20	K	K	K	B	C
20/5	15	K	K	B	C	C
25/6,3	13	K	K	C	C	E
32/8	09	K	C	C	E	E
40/10	07	B	C	E	E	4xC

VB16 Speed/vitesse m/mn (50Hz)	ratio rapport	total weight <4000	with load <6000	kg <8000	/ poids total (FEM 2m) <10000	en charge <12000
5/1.33	40	A	A	A	A	A
8/2.66	25	A	A	A	A	A
10/2.5	40	B	B	B	B	B
12/3	32	B	B	B	B	B
16/4	25	B	B	B	B	C
20/5	20	K	K	B	C	C
25/6,3	15	K	K	C	C	C
32/8	13	K	C	C	E	E
40/10	09	C	C	E	E	E