

Spare parts catalogue for "VL16-VL20-VL25-XC3"

To avoid errors, when ordering please specify:

- Complete type of hoist
- Date of manufacture and serial number
- Spare part code
- Spare part designation
- Additional information



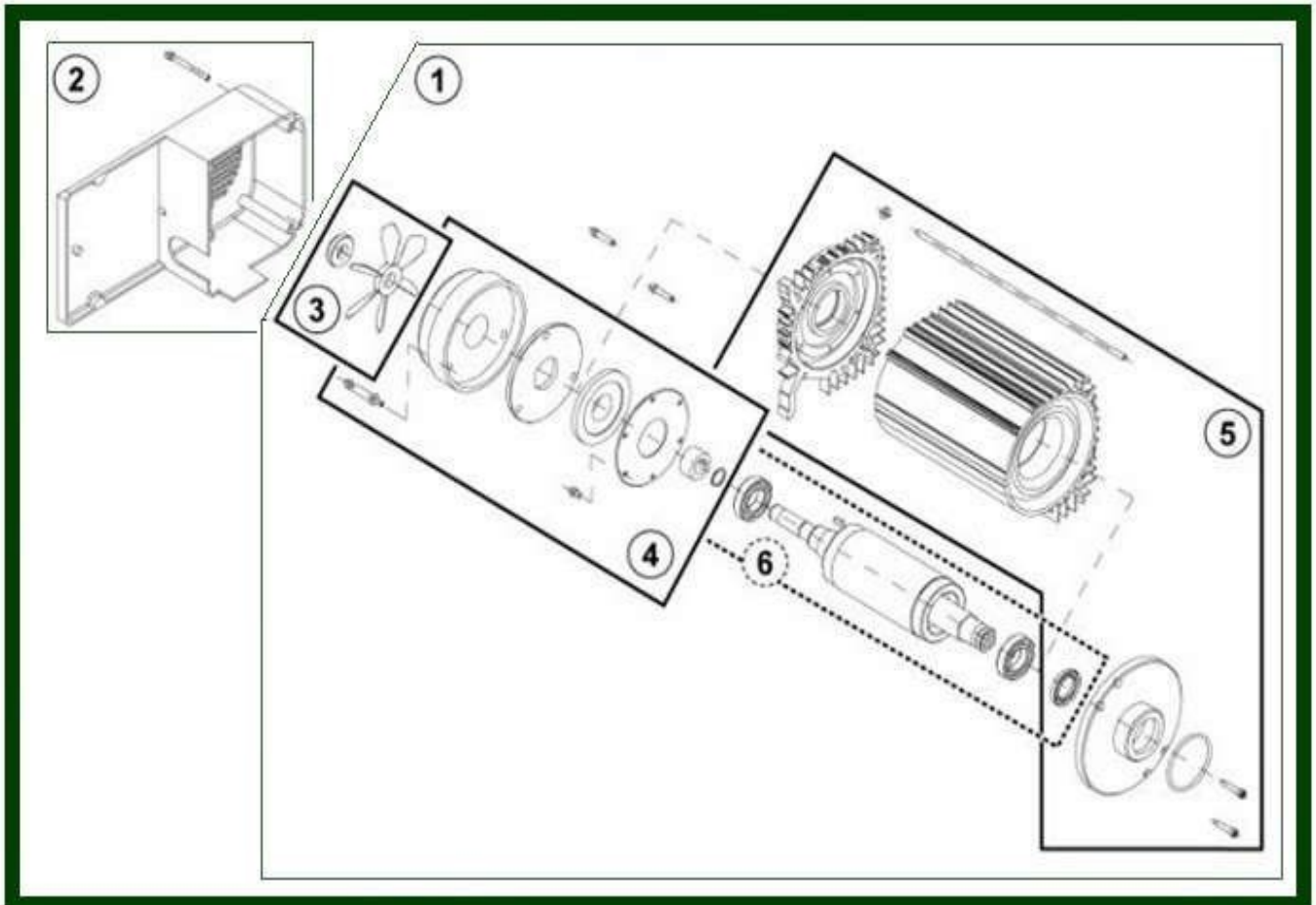
0. HOIST DESCRIPTION	3
1. HOISTING MOTOR AND CASING	4
1.1. Hoisting motor and casing - After May 2003	6
2. GEAR.....	8
2.1. Double brake-Optional.....	10
3. LIFTING ASSEMBLY	11
3.1. VL16 / D	12
3.2. VL20-VL25 / E&F.....	15
3.3. Precut chain.....	18
4. ELECTRIC BOX.....	19
4.1. Upper and lower limit switches - To April 2006	22
4.2. Upper and lower limit switches - since May 2006	23
4.3. Rotating limit switch - 2 steps	24
4.4. Rotating limit switch - 4 steps	25
4.5. 2 cam rotating limit switch - After 2009.....	26
5. NORMAL HEADROOM TROLLEY	27
5.1. Two speeds TMU motor	28
5.2. Travelling machinery (Variation speed).....	30
5.3. Chain travel	31
5.4. C3 trolley - 2001 to 3200 Kg	32
5.5. C5 Trolley - 3200 to 5000 Kg.....	34
6. LOW HEADROOM TROLLEY	36
6.1. Electric trolley - Main drawing - 3 falls.....	38
6.2. Cross member - 3 falls.....	40
6.3. Hook block - 3 falls	41
6.4. Chain bag - 3 & 4 falls.....	43
6.5. Synchro assy - 3 falls.....	44
6.6. TMU3 – Variation speed.....	45
7. ELECTRIC TROLLEY – BOGGIE.....	46
7.1. Swivelling trolley from 0 to 5000 Kg.....	47
7.2. Swivelling trolley - From 5000 to 7500 Kg.....	49
8. FIXING OF THE PULLING WHEEL	51

0. HOIST DESCRIPTION

Type de palan VERLINDE	Type de palan UNEPAL	Charge de charge	Nbre de brins	Vitesse m / min	Puissance mot. / KW	Rapport de réduction	FEM	Chaîne
Type of hoist VERLINDE	Type of hoist UNEPAL	Load capacity	Nber of falls	Speedm / min	Motor power . / KW	Gear ratio		chain
VL 16 1008 b2	100XC318W2	1000 Kg	1	8 / 2	3,5 / 0,86	113	2 m	9 / 27
VL 16 1608 b1	160XC318W1	1600 Kg	1	8 / 2	3,5 / 0,86	113	1 8m	9 / 27
VL 16 2004 b2	200XC324W2	2000 Kg	2	4 / 1	3,5 / 0,86	113	2 m	9 / 27
VL 16 3204 b1	320XC324W1	3200 Kg	2	4 / 1	3,5 / 0,86	113	1 8m	9 / 27
VL 16 2504 b1	250XC324W1	2500 Kg	2	4 / 1	3,5 / 0,86	113	1 8m	9 / 27
VL 20 2008 b1	200XC318W1	2000 Kg	1	8 / 2	3,5 / 0,86	113	1 8m	11,3 / 31
VL 20 2504 b2	250XC324W2	2500 Kg	2	4 / 1	3,5 / 0,86	113	2m	11,3 / 31
VL 20 4004 b1	400XC324W1	4000 Kg	2	4 / 1	3,5 / 0,86	113	1 8m	11,3 / 31
VL 25 1606 b2	160XC316W2	1600 Kg	1	6,3 / 1,6	3,5 / 0,86	145	2m	11,3 / 31
VL 25 2506 b1	250XC316W1	2500 Kg	1	6,3 / 1,6	3,5 / 0,86	145	1 8m	11,3 / 31
VL 25 3203 b2	320XC323W2	3200 Kg	2	3,2 / 0,7	3,5 / 0,86	145	2m	11,3 / 31
VL 25 5003 b1	500XC323W1	5000 Kg	2	3,2 / 0,7	3,5 / 0,86	145	1 8m	11,3 / 31

1. HOISTING MOTOR AND CASING

Before S/N 0352273 (52273)

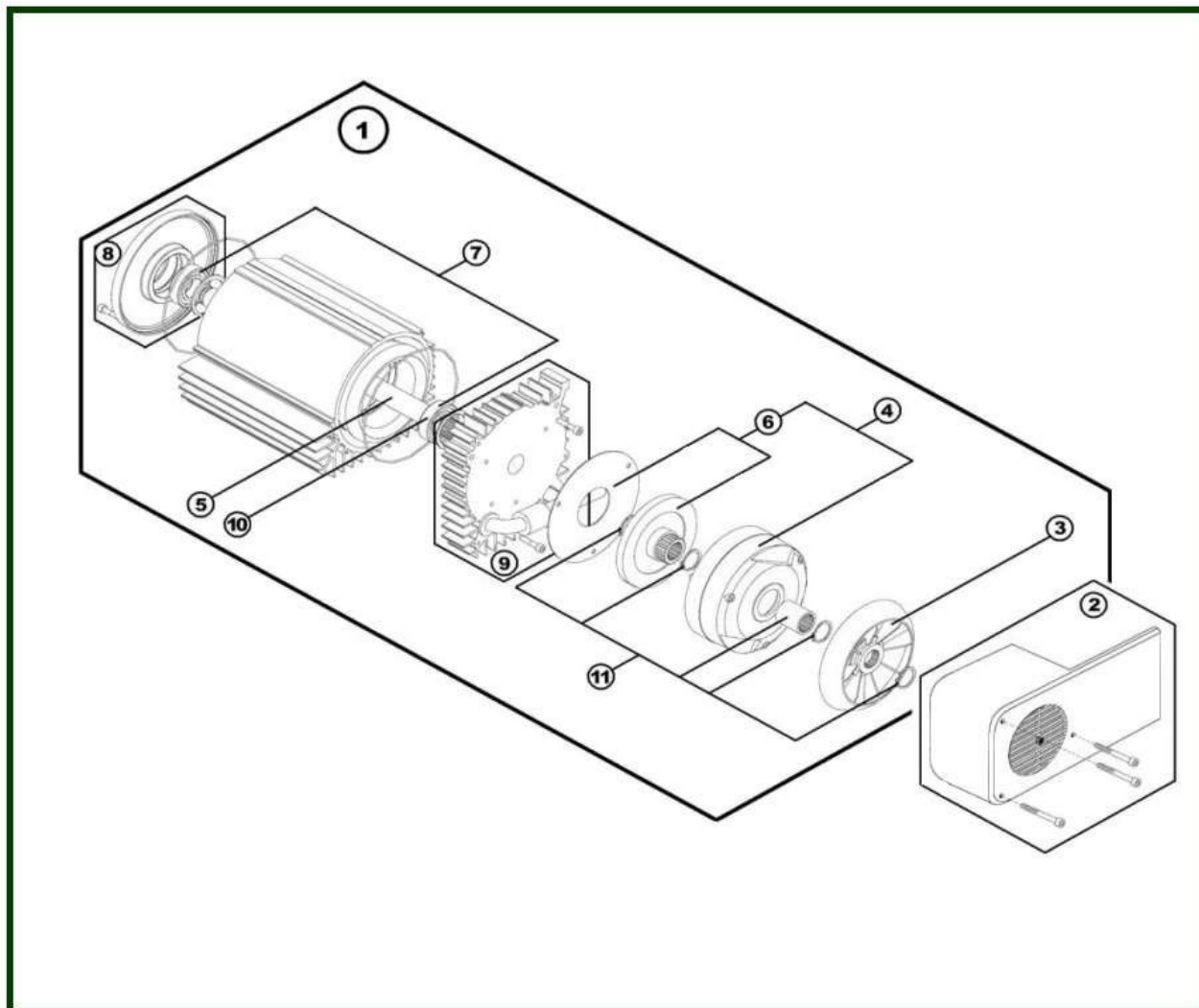


Hoisting motor and casing
Before S/N 0352273 (52273)

Item	Reference	Description	Observation	Quantity
1	<u>2245030</u>	Complete motor 230V/50Hz + Pinion	VL16-VL20	1
1	<u>2245035</u>	Complete motor 230V/50Hz + Pinion	VL25	1
1	<u>2245033</u>	Complete motor 230V/60Hz + Pinion	VL16-VL20	1
1	<u>2245038</u>	Complete motor 230V/60Hz + Pinion	VL25	1
1	<u>2245031</u>	Complete motor 400V/50Hz-460V/60Hz + Pinion	VL16-VL20	1
1	<u>2245036</u>	Complete motor 400V/50Hz-460V/60Hz + Pinion	VL25	1
1	<u>2245034</u>	Complete motor 400V/60Hz + Pinion	VL16-VL20	1
1	<u>2245039</u>	Complete motor 400V/60Hz + Pinion	VL25	1
1	<u>2245032</u>	Complete motor 500V/50Hz-575V/60Hz + Pinion	VL16-VL20	1
1	<u>2245037</u>	Complete motor 500V/50Hz-575V/60Hz + Pinion	VL25	1
2	<u>2279901</u>	Cover + screws - Brake side		1
3	<u>2279906</u>	Fan set		1
4	<u>2279956</u>	Brake assembly - 95 V		1
4	<u>2279958</u>	Brake assembly - 225 V		1
4	<u>2279957</u>	Brake assembly - 190 V		1
5	<u>2279907</u>	Stator assembly	Not supplied anymore	1
6	<u>2279909</u>	Rotor assembly	Not supplied anymore	1
-	<u>2279550</u>	Rain cover		1
-	<u>52316219</u>	Brake disk and pinions		1
-	<u>52314616</u>	Brake pinion replacement kit		1

1.1. Hoisting motor and casing - After May 2003

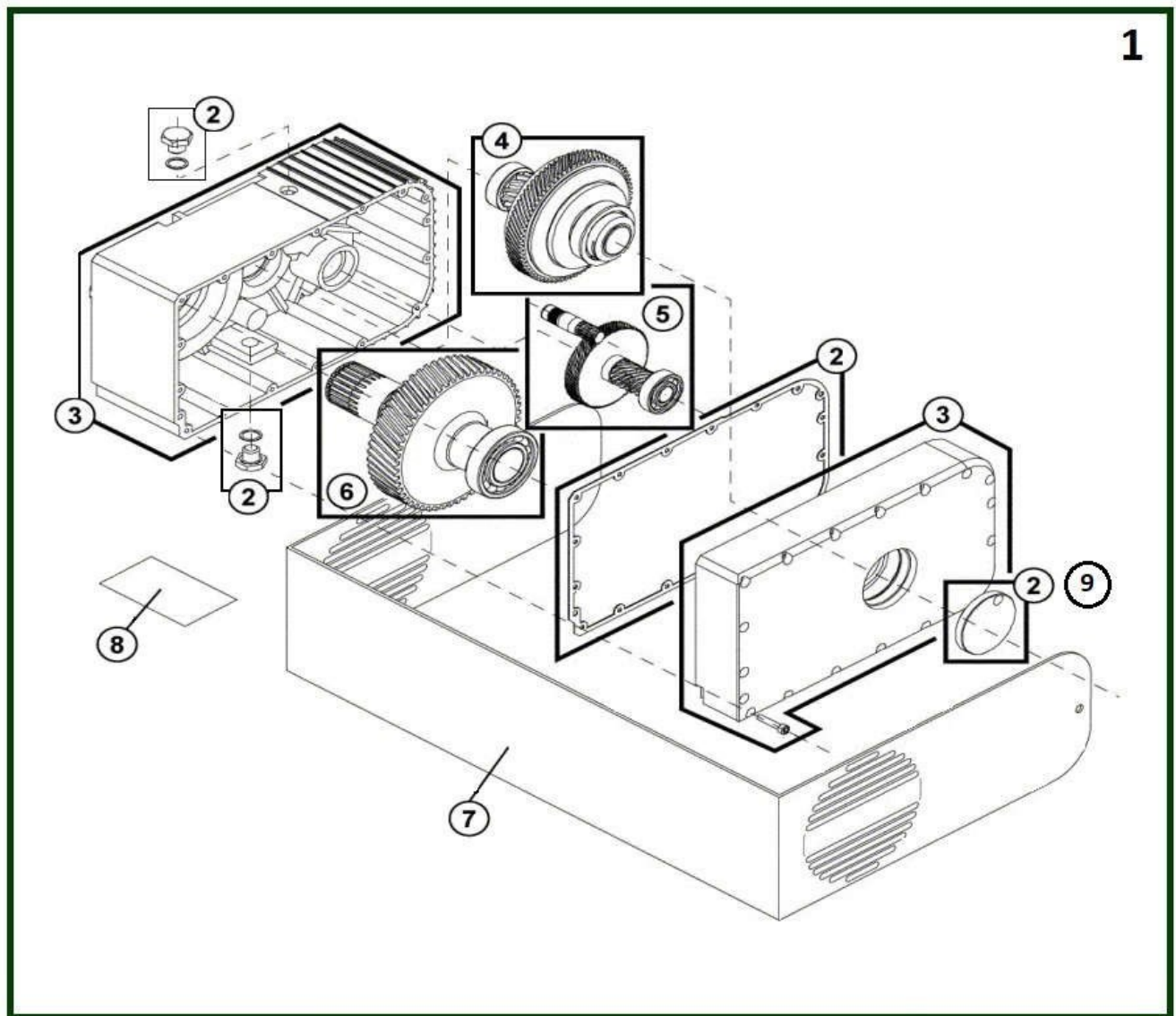
After S/N 0352273 (C52273)



Hoisting motor and casing - After May 2003

Item	Reference	Description	Observation	Quantity
1	2245030	Complete motor - 230V/50Hz + Pinion	VL16-VL20	1
1	2245035	Complete motor - 230V/50Hz + Pinion	VL25	1
1	2245033	Complete motor - 230V/60Hz + Pinion	VL16-VL20	1
1	2245038	Complete motor - 230V/60Hz + Pinion	VL25	1
1	2245031	Complete motor - 400V/50Hz-460V/60Hz +Pinion	VL16-VL20	1
1	2245036	Complete motor - 400V/50Hz-460V/60Hz + Pinion	VL25	1
1	2245034	Complete motor - 400V/60Hz + Pinion	VL16-VL20	1
1	2245039	Complete motor - 400V/60Hz + Pinion	VL25	1
1	2245032	Complete motor - 500V/50Hz-575V/60Hz + Pinion	VL16-VL20	1
1	2245037	Complete motor - 500V/50Hz-575V/60Hz + Pinion	VL25	1
1	53905428	Motor, Hoisting motor - Coder 48 PTS 400V 50Hz	VL16	1
1	53905432	Motor, Hoisting motor - Coder 48 PTS 400V 50Hz	VL25	1
2	2279901	Cover + screws - Brake side		1
3	2275040	Fan set		1
4	2275045	Brake assembly - 100V		1
4	2275042	Brake assembly -180V		1
4	2275043	Brake assembly - 240V		1
4	2275044	Brake assembly - 290V		1
5	2275052	Rotor assembly inverter		1
5	2275051	Rotor assembly 2 speeds		1
6	2275041	Brake disc assembly for 2 speed and inverter motor		1
7	2275050	Bearing set inverter motor		1
7	2275049	Bearing set 2 speeds motor		1
8	2275046	Gearbox side end flange		1
9	2275047	Brake side end flange		1
10	2275048	Sensor bearing (inverter)		1
11	2275053	Circlip and splined tube assembly		1
.	2279550	Rain cover		1

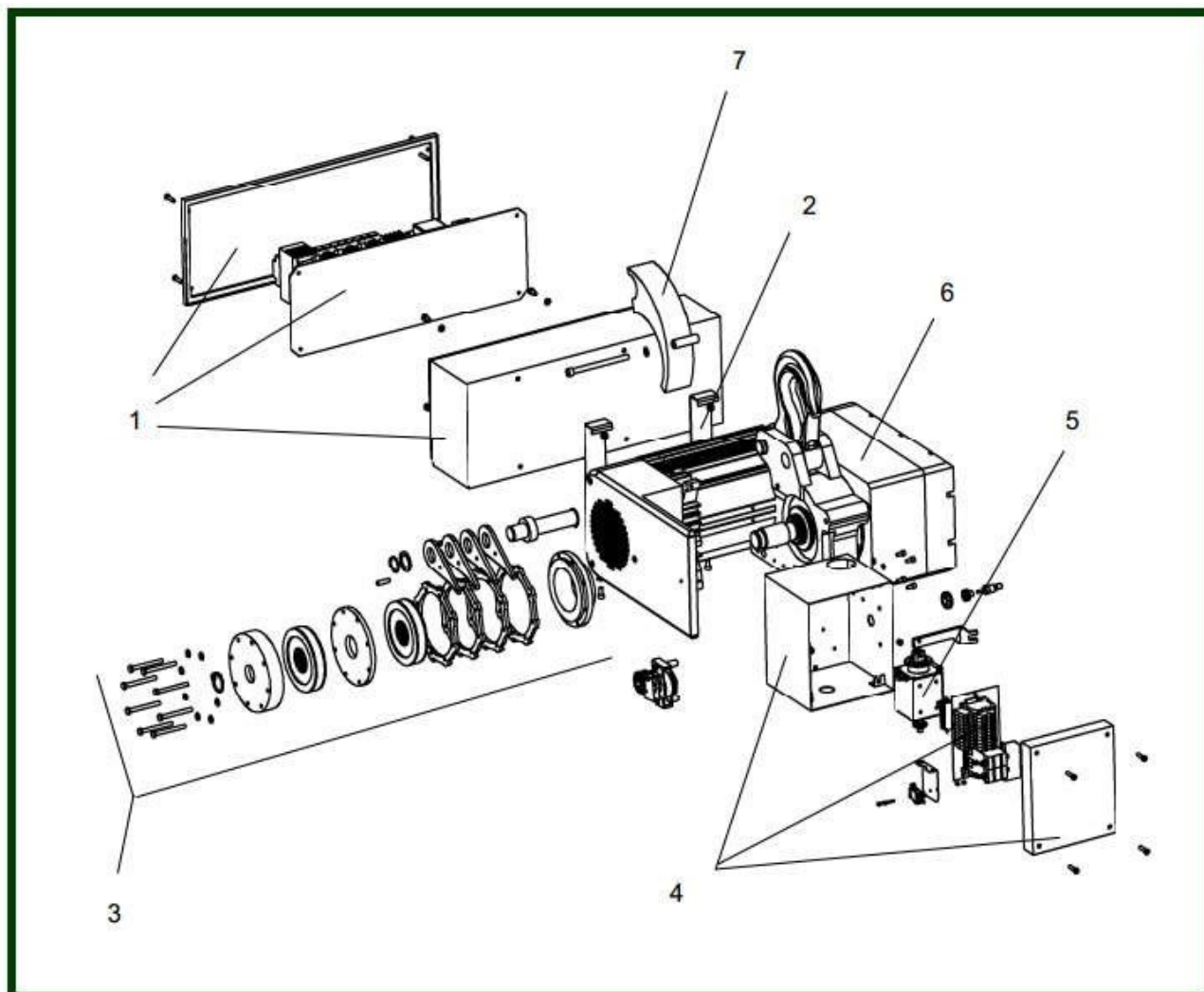
2. GEAR



Gear

Item	Reference	Description	Observation	Quantity
1	<u>2260500</u>	Hoisting gearbox – Type 113	VL16-VL20	1
1	<u>2270500</u>	Hoisting gearbox – Type 144.2	VL25	1
2	<u>2279923</u>	Set of seals		1
3	<u>2270000</u>	Casing		1
4	<u>2279904</u>	Gear set 2 step (load limiter)		1
5	<u>2279902</u>	Gear set 1 step - Type 113	VL16-VL20	1
5	<u>2279903</u>	Gear set 1 step - Type 144.2	VL25	1
6	<u>2279905</u>	Gear set 3 steps		1
7	<u>2266031</u>	Stickers and cover set	VL16	1
7	<u>2266041</u>	Stickers and cover set	VL20	1
7	<u>2276031</u>	Stickers and cover set	VL25	1
8	<u>2219922</u>	Set of 10 load plates - Hoist	1000 Kg	1
8	<u>2219923</u>	Set of 10 load plates - Hoist	1600 Kg	1
8	<u>2219924</u>	Set of 10 load plates - Hoist	2000 Kg	1
8	<u>2219892</u>	Set of 10 load plates - Hoist	2500 Kg	1
8	<u>2219893</u>	Set of 10 load plates - Hoist	3200 Kg	1
8	<u>2219894</u>	Set of 10 load plates - Hoist	4000 Kg	1
8	<u>2219895</u>	Set of 10 load plates - Hoist	5000 Kg	1
9	<u>2270003</u>	Plug cover	VL16-VL20-VL25	1
-	<u>2271008</u>	Clutch nut	M35X1.5	1

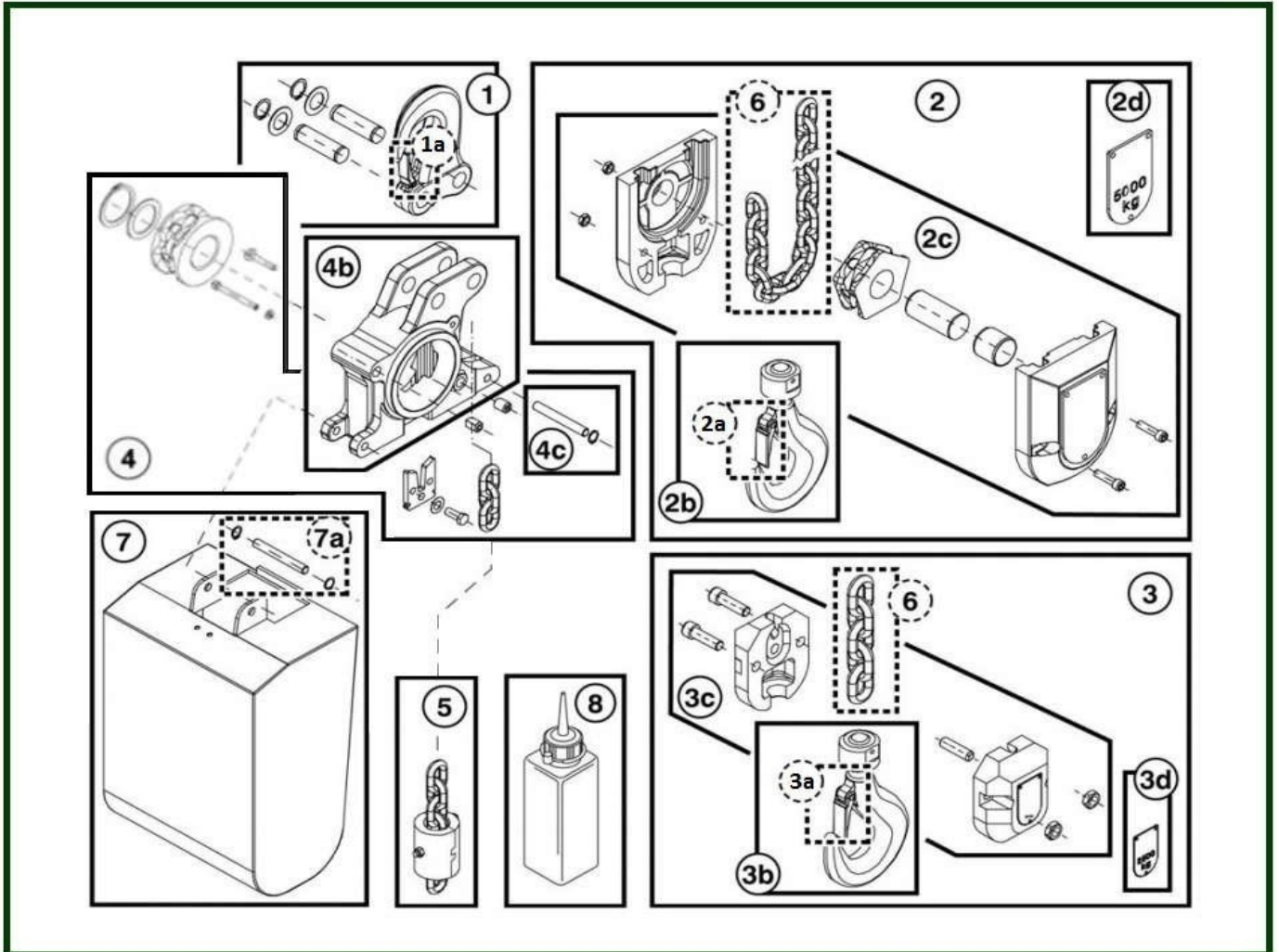
2.1. Double brake-Optional



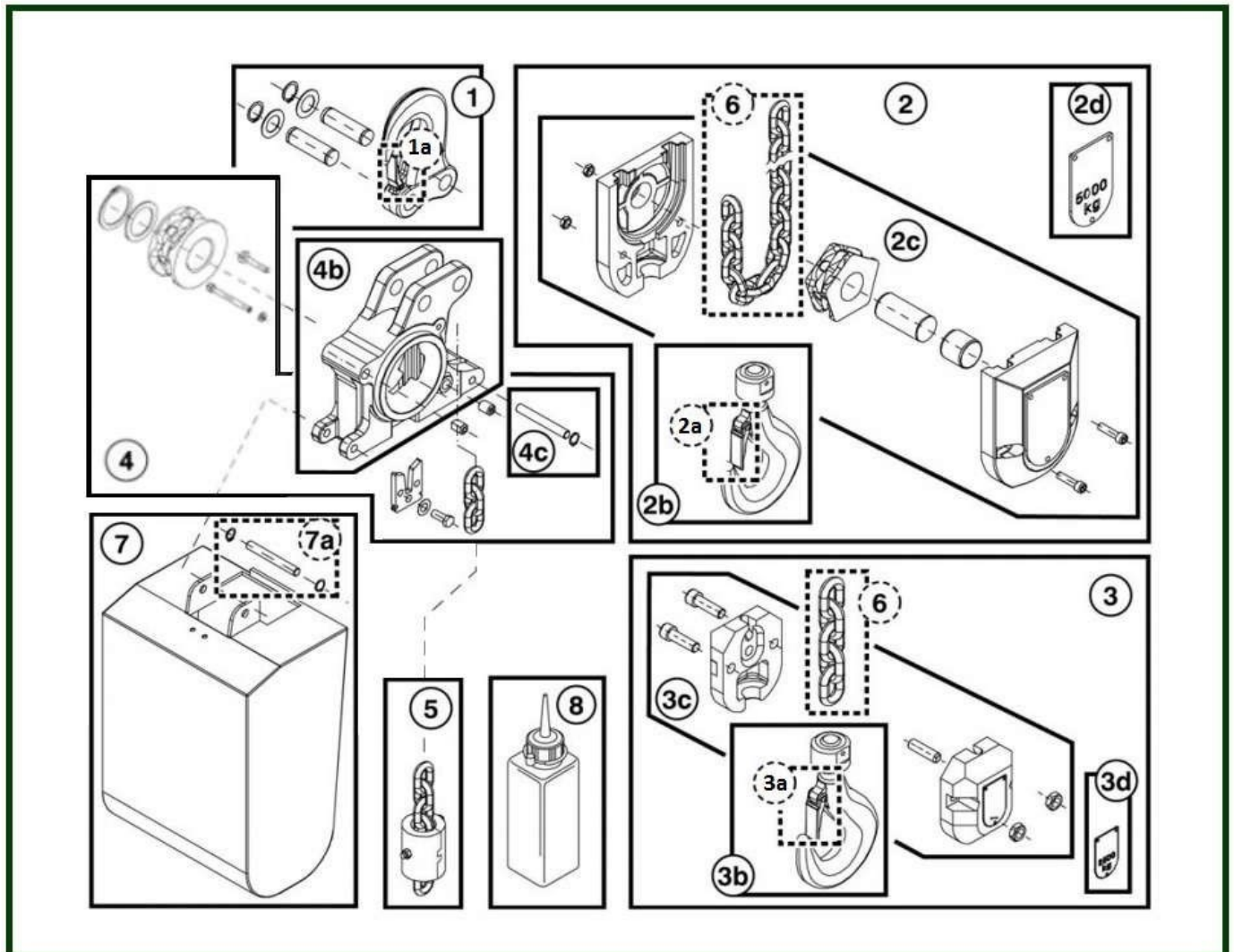
Item	Reference	Description	Observation	Quantity
1	52336943	Low voltage cubicle assembly		1
2	52338342	Low voltage cubicle support bracket		1
3	52337007	Brake assembly		1
4	52336944	Jack cubicle assembly		1
5	52335461	Jack		1
6	52337923	Gearbox GE25-1 - 8/2 m/min		1
6	52337909	Gearbox GE25-4 - 6.3/1.6m/min		1
7	52335439	Kit carter de protection		1

3. LIFTING ASSEMBLY

Since July 2004 the chain bucket are now in plastic



3.1. VL16 / D



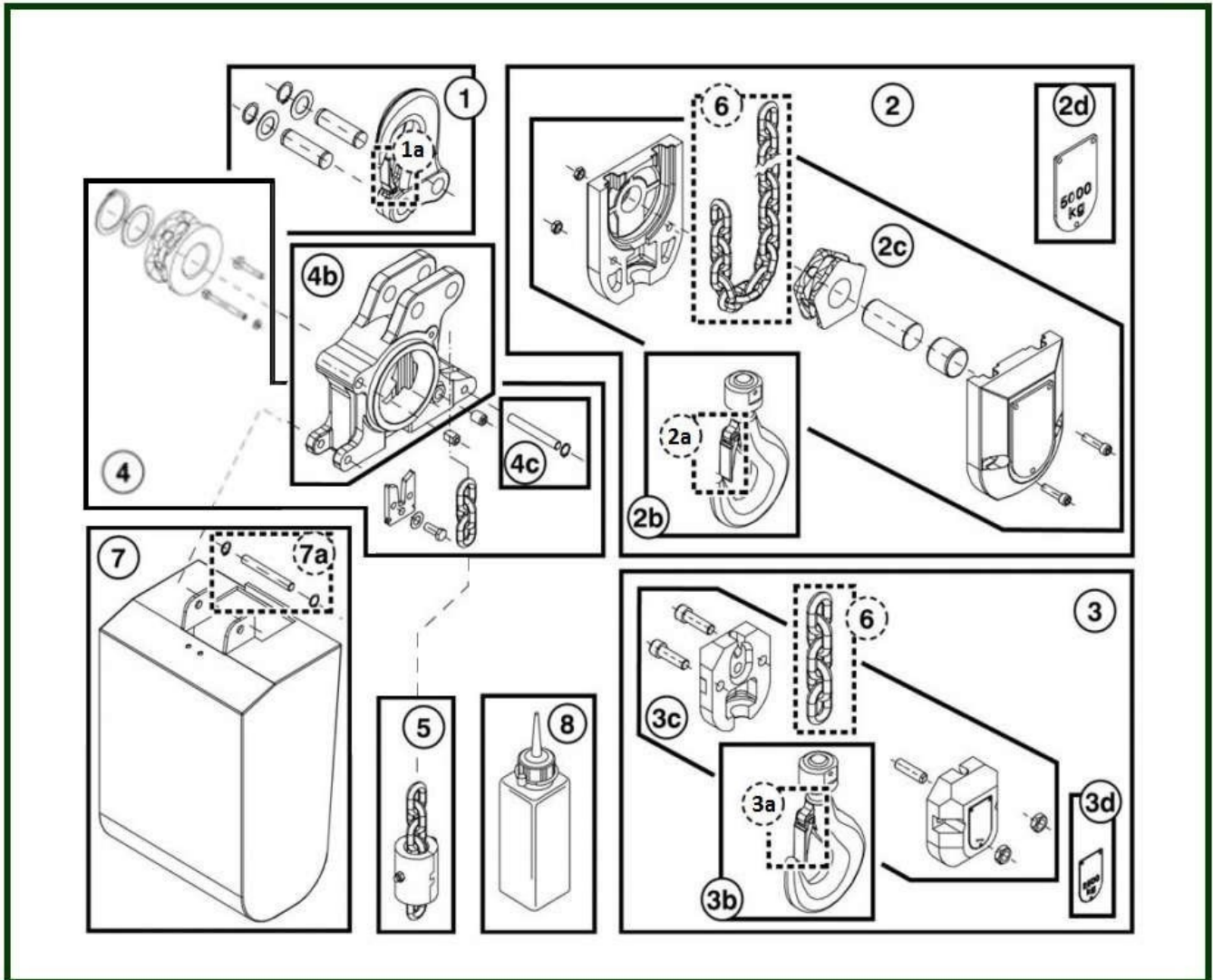
VL16 / D

Item	Reference	Description	Observation	Quantity
1	2279955	Suspension hook assembly perpendicular		1
1a - 2a - 3a	2279914	Safety latch - Steel plate + Upper hook	VL16 : 2 falls VL20-VL25 : 1 fall	1
2	2269915	Hook block assembly - 2 falls	Chain 9x27	1
2	52371864	Hook block assembly - Stainless steel - 2 falls	Chain 9x27	1
2b	2267000	Hook - 2 falls	Chain 9x27 - Max 3.2T	1
2b	52339567	Automatic hook - 2 falls	Chain 9x27	1
2b	52370692	Hook - Stainless steel - 2 falls	Chain 9x27	1
2c	2269916	Set of 2 half-casings with axle, return sprocket, and screws - 2 falls	Chain 9x27	1
2d	2269902	Set of 10 load plates - 2 falls	2000 kg - Chain 9x27	1
2d	2269920	Set of 10 load plates - 2 falls	2500 kg - Chain 9x27	1
2d	2269903	Set of 10 load plates - 2 falls	3200 kg - Chain 9x27	1
3	2269900	Hook block assembly - 1 fall	Chain 9x27	1
3	2267011	Hook block assembly - Automatic - 1 fall	Chain 9x27	1
3	52371863	Hook block assembly - Stainless steel - 1 fall	Chain 9x27	1
3a	52727572	Safety latch - Stainless steel - 1 fall		1
3a	2242017	Safety latch - Steel plate type	VL16 - 1600 kg Suspension hook assembly Hook block assembly	1
3b	2242021	Hook - 1 fall	VL16	1
3b	52370691	Hook - Stainless steel - 1 fall	Chain 9x27 630 kg-2m & 1 000kg-1Bm	1
3c	2269917	Set of 2 half-casings with axle, return sprocket, and screws - 1 fall	VL16 - Chain 9x27	1
3d	2269909	Set of 10 load plates - 1 fall	1000 kg - Chain 9x27	1
3d	2269910	Set of 10 load plates - 1 fall	1200 kg - Chain 9x27	1
3d	2269901	Set of 10 load plates - 1 fall	1600 kg - Chain 9x27	1
4	2269913	Chain sprocket assembly + ejector	Chain 9x27	1
4b	2265502	Chain guide	Chain 9x27	1
4c	2269914	Chain sprocket with ejector - 2 falls only	Chain 9x27	1
5	2269942	Chain stop	Chain 9x27	1
6	2263500V	Galvanized chain - 9x27		1
6	2273500V	Galvanized chain - 11.3x31		1
6	2263502V	Stainless steel chain - 9x27		1
6	2273502V	Stainless steel chain - 11.3x31		1
6a	1832000000	Chain lifting tool		1

VL16 / D

Item	Reference	Description	Observation	Quantity
7	<u>2279930</u>	Chain bucket plastic - 1 & 2 falls	VL16 : 16 m VL20-VL25 : 12 m	1
7	<u>2279936</u>	Steel Chain bucket	VL16-VL20 : 16 m VL25 : 12 m	1
7	<u>2279931</u>	Steel chain bucket - 1 & 2 falls	VL16 : 50 m VL20-VL25 : 30 m	1
7	<u>2279932</u>	Steel chain bucket - 1 & 2 falls	VL16 : 80 m VL20-VL25 : 50 m	1
7a	<u>2279912</u>	Axle of suspension chain bucket	VL16-VL20-VL25	1
8	<u>9995008</u>	Oil can - 125 ml	Hoist C-P-K	1
-	<u>2279550</u>	Rain cover		1
-	<u>2264005</u>	Chain ejector	Chain 9x27	1
-	<u>2274005</u>	Chain ejector	Chain 11.3x31	1
-	<u>1101390</u>	Extension for chain bucket	For EX hoist before 2008	1

3.2. VL20-VL25 / E&F



VL20-VL25 / E & F

Item	Reference	Description	Observation	Quantity
1	2279955	Perpendicular suspension hook assembly -		1
1a - 2a - 3a	2279914	Safety latch - Steel plate + Upper hook	VL16 : 2 falls VL20-VL25 : 1 fall	1
1bis	2279920	Perpendicular suspension bracket assembly	VL25 - Chariot TDV C3 (3000 Kg)	1
1bis	2279921	Perpendicular suspension bracket assembly	VL25 - Chariot TDV C5 (5000 Kg)	1
2	2279915	Hook block assembly - 2 falls	Chain 11.3x31mm	1
2	52386396	Hook block assembly - Stainless steel - 2 falls	Chain 11.3x31mm	1
2a	52319604	Steel plate safety latch - 3 falls	VL25 - 7,5T - N° 2.5 After 06/99	1
2b	2277001	Hook - 2 falls	Chain 11.3x31 - 5T	1
2b	52339568	Automatic hook - 2 falls	C20 - Chain 11.3x31	1
2b	52339569	Automatic hook - 2 falls	VL25 - Chain 11.3x31	1
2b	52291845	Lower hook block - 3 falls	Chain 11.3x31 - 7.5 T	1
2b	52386394	Stainless steel hook - 2 falls	Chain 11.3x31 - Max 3.2T	1
2c	2279916	Set of 2 half-casings with axle, return sprocket, and screws 2 falls	Chain 11,3x31	1
2d	2269905	Set of 10 load plates - 2 falls	2500 Kg - Chain 11,3X31	1
2d	2269907	Set of 10 load plates - 2 falls	3200 Kg - Chain 11,3X31	1
2d	2269906	Set of 10 load plates - 2 falls	4000 kg - Chain 11,3X31	1
2d	2269908	Set of 10 load plates - 2 falls	5000 kg - Chain 11,3X31	1
3	2279900	Hook block assembly - 1 fall	Chain 11.3x31	1
3	2277011	Hook block assembly - Automatic 1 fall	Chain 11.3x31	1
3	52371865	Hook block assembly - Stainless steel - 1 fall	Chain 11.3x31	1
3a	52727572	Safety latch - Stainless steel - 1 fall		1
3a	2242017	Safety latch - Steel plate type	VL16 : 1 fall - 1600 kg Hook block assembly	1
3b	2277000	Hook - 1 fall	Chain 11.3x31 - Max 2.5 T	1
3b	2277015	Hook - Automatic - 1 fall	Chain 11.3x31	1
3b	52370698	Hook - Stainless steel - 1 fall	Chain 11.3x31	1
3c	2279917	Set of 2 half-casings with axle, return sprocket, and screws 1 fall	Chain 11.3x31	1

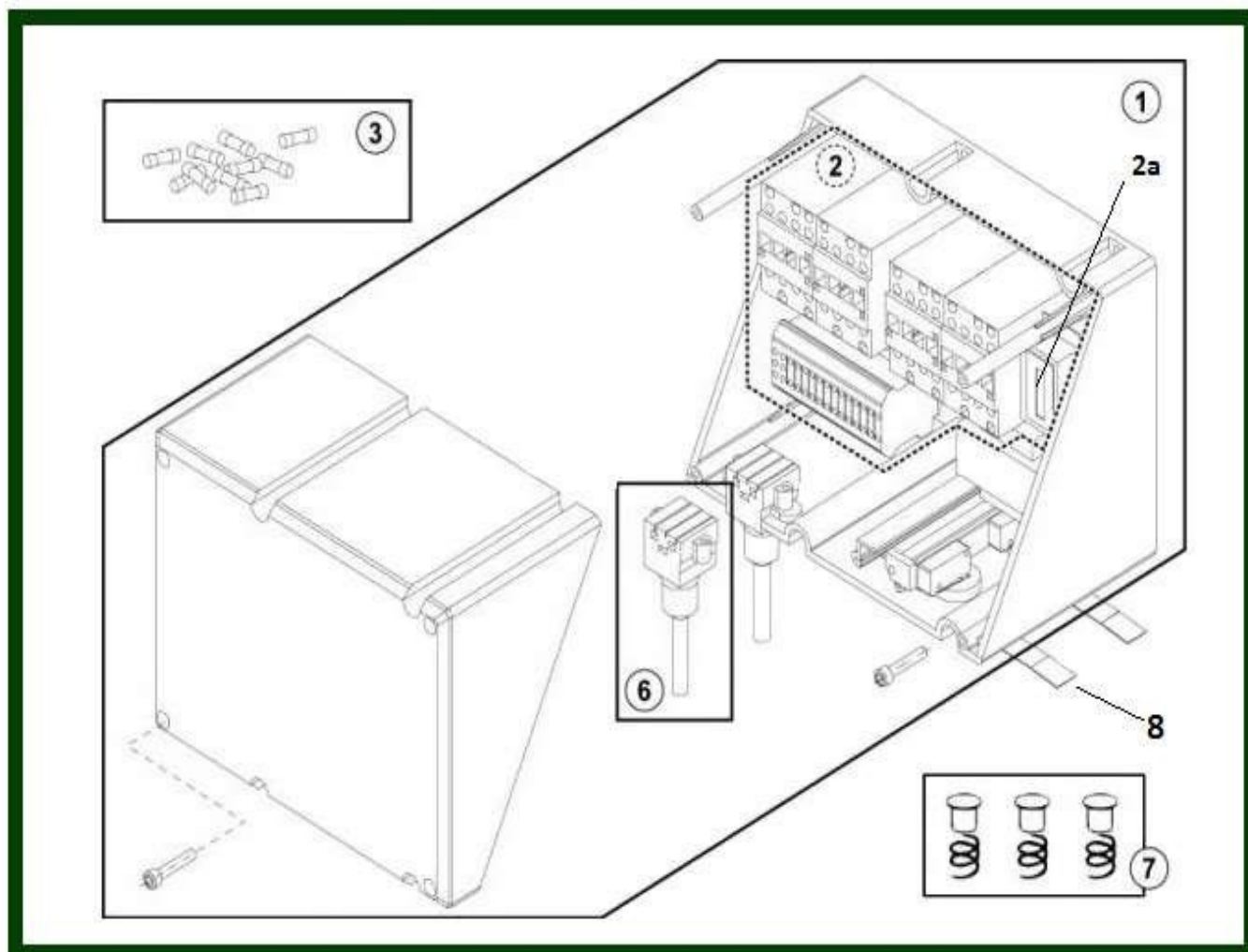
VL20-VL25 / E & F

Item	Reference	Description	Observation	Quantity
3d	2269911	Set of 10 load plates - 1 fall	1600 kg - Chain 11.3x31	1
3d	2269904	Set of 10 load plates - 1 fall	2000 kg - Chain 11.3x31	1
3d	2269912	Set of 10 load plates - 1 fall	2500 kg - Chain 11.3x31	1
4	2279911	Chain sprocket assembly + ejector	Chain 11.3x31	1
4b	2275502	Chain guide	Chain 11.3x31	1
4c	2279910	Chain sprocket with ejector 2 falls only	Chain 11.3x31	1
4d	2274005	Chain ejector	Chain 11.3x31	1
5	2279942	Chain stop	Chain 11.3x31	1
6	2273500V	Galvanized chain - 11.3x31		1
6	2273502V	Stainless steel chain - 11.3x31		1
6a	1832403990	Chain lifting tool		1
7	52292004	Chain bucket - 3 falls & 4 falls	C20-VL25 3 falls : 3 m - 4 falls : 6 m	1
7	52293324	Chain bucket - 3 falls & 4 falls	C20-VL25 3 falls : 9 m - 4 falls : 15 m	1
7	52294886	Chain bucket - 3 falls & 4 falls	C20-VL25 3 falls : 16 m - 4 falls : 25 m	1
7	2279930	Chain bucket plastic - 1 & 2 falls	VL16 : 16 m VL20-VL25 : 12 m Since July 2004	1
7	2279936	Steel Chain bucket	VL16-VL20 : 16 m VL25 : 12 m	1
7	2279931	Steel chain bucket - 1 & 2 falls	VL16 : 50 m VL20-VL25 : 30 m	1
7	2279932	Steel chain bucket - 1 & 2 falls	VL16 : 80 m VL20-VL25 : 50 m	1
7a	2279912	Axle of suspension chain bucket	VL16-VL20-VL25	1
8	9995008	Oil can - 125 ml	Hoist C-P-K	1
-	2279550	Rain cover		1
-	1101390	Extension for chain bucket	For EX hoist before 2008	1

3.3. Precut chain

Item	Reference	Description	Observation	Quantity
	<u>53020151</u>	Galvanized load chain - 9x27	6 meters	1
	<u>53020152</u>	Galvanized load chain - 9x27	10 meters	1
	<u>53020171</u>	Galvanized load chain - 9x27	12,5 meters	1
	<u>53020176</u>	Galvanized load chain - 9x27	100 meters	1
	<u>53020179</u>	Galvanized load chain - 11.3x31	9 meters	1

4. ELECTRIC BOX



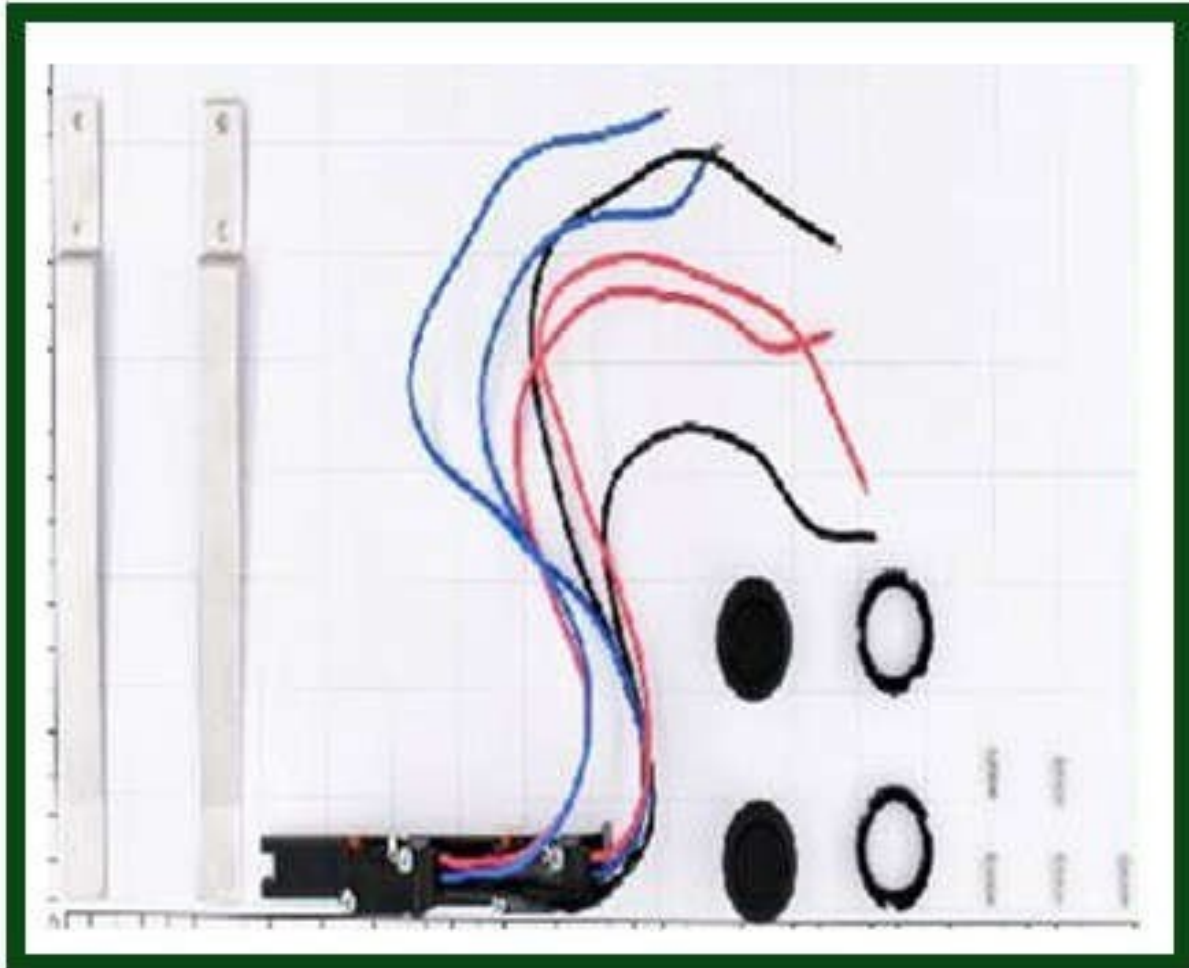
Electric box

Item	Reference	Description	Observation	Quantity
1	2263015	Electric cubicle casing (box + cover) ABS		1
1	52353633	Electric cubicle casing (box + cover) NORYL	Only USA	1
1	52271066	Electric cubicle with board	RSA 230/48V VL25 - Renault	1
1	52271062	Electric cubicle with board	RSA 400V VL25 - Renault	1
1	52270370	Electric cubicle with board RVI + And cam limit switch	220V	1
2	2263006	Circuit board 2HS+ON/OFF	230V - 50 60Hz - 48vac	1
2	2263004	Circuit board 2HS+ON/OFF	400V - 50 60Hz - 48vac	1
2	2263007	Circuit board 2HS+ON/OFF	500V - 50 60Hz - 48vac	1
2	2263023	Circuit board 2HS+ON/OFF (without transformer)	000V - 50 60Hz - 48vac	1
2	2263024	Circuit board 2HS+ON/OFF (without transformer)	000V - 50 60Hz - 115vac	1
2a	2213002	Time counter	50Hz - 48vac	1
2a	2213027	Time counter	60Hz - 48vac	1
2a	2213028	Time counter	60Hz - 115vac	1
2b	7532136E	Main contactor	400-460-500-575V - 115vac	1
2b	7532220W	Main contactor - LC1D18E7	230V - 48vac Motor P2-P3 - O-K1	1
2b	7532126U	Main contactor - LC1D123E	400-460-500-575V - 48vac	1
2b	7983066	Reversing contactor - LC2D129E	230V - 115vac Motor P1-P2-P3-N1-N2 - AK1-AK2	1
2c	7983069	Reversing contactor	230V - 115vac	1
2c	7531132P	Reversing contactor - LC2D12F7	400-460-500-575V - 115 vac Motor P1-P2-P3 - AK1-AK2	1
2c	7531220J	Reversing contactor - LC2D18E7	230V - 48 vac Motor P4 - AK1-AK2	1
2c	7531122C	Reversing contactor - LC2D129E	400-460-500-575V- 48 vac Motor P1-P2-P3-N1-N2 - AK1-AK2	1
2d	1113029	Two speed selection contactor- LC1D258E	230V - 48 vac Motor P4/P5 AK4 (7532324J)	1
2d	1113027	Two speed selection contactor- LC1D128E	400-460-500-575V - 48 vac Motor P1-P2-P3 AK4 (7532122Q)	1
2d	7532132A	Two speed selection contactor- LC1D128F7	400-460-500-575V - 115 vac	1
2d	7532336X	Two speed selection contactor- LC1D258F7	230V - 115 vac	1

Electric box

Item	Reference	Description	Observation	Quantity
2e	7983023	Transformer	230V 50 60Hz - 48vac	1
2e	7983026	Transformer	230V/460V 60Hz - 115 vac	1
2e	7983021	Transformer	400V 50 60Hz - 48vac	1
2e	7983029	Transformer	400V 50 60Hz - 115vac	1
2e	7983025	Transformer	460V 50 60Hz - 48vac	1
2e	7983022	Transformer	500V 50 60Hz - 48vac	1
2e	7983027	Transformer	575V 60Hz - 115vac	1
2e	7983024	Transformer	575V 50 60Hz - 48vac	1
2f	2243060	Rectifier 230-400-460-500-575V	C05 - VL25 Hoist standard or stagemaker version E (direct voltage)	1
2f	2243061	Rectifier reconnectable 230-460V	C05 - VL25 - Only USA	1
3	2249979	Set of 10 fuses	48V	1
4	2249947	Cable gland assembly		1
5	2219814	Plug cover set		1
6	2249946	Trolley plug set	TDU - M+F Standard	1
6	2249982	Power supply plug		1
6	2249945	Push button plug set		1
7	2269010	Set of 3 springs + support	Chain 9x27	1
7	2279010	Set of 3 springs + support	Chain 11.3x31	1
	2269911	Set of 10 load plates - 1 fall	1600 kg - Chain 11.3x31	1
	2269001	Trigger plate	To April 2006	2
	52381239	Support coffret		1

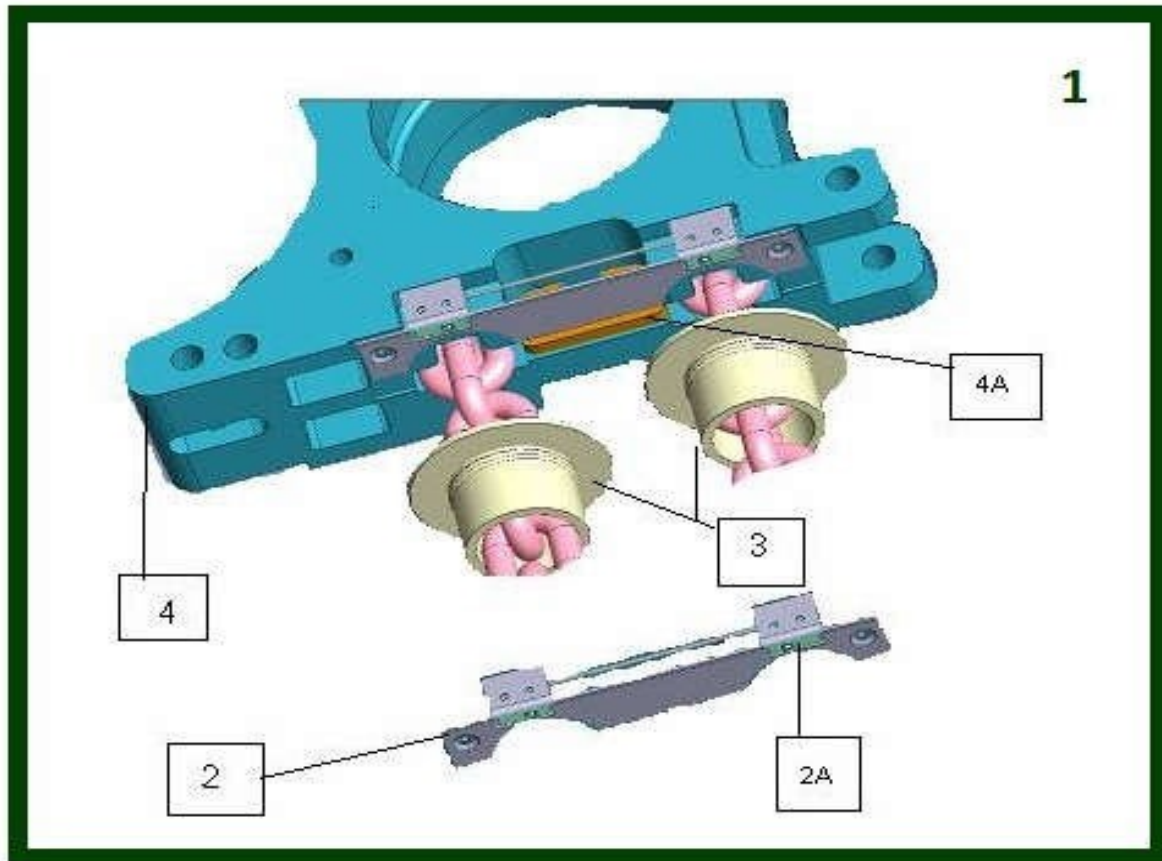
4.1. Upper and lower limit switches - To April 2006



Item	Reference	Description	Observation	Quantity
	<u>2263050</u>	Upper and lower limit switch assembly	To April 2006	1

4.2. Upper and lower limit switches - since May 2006

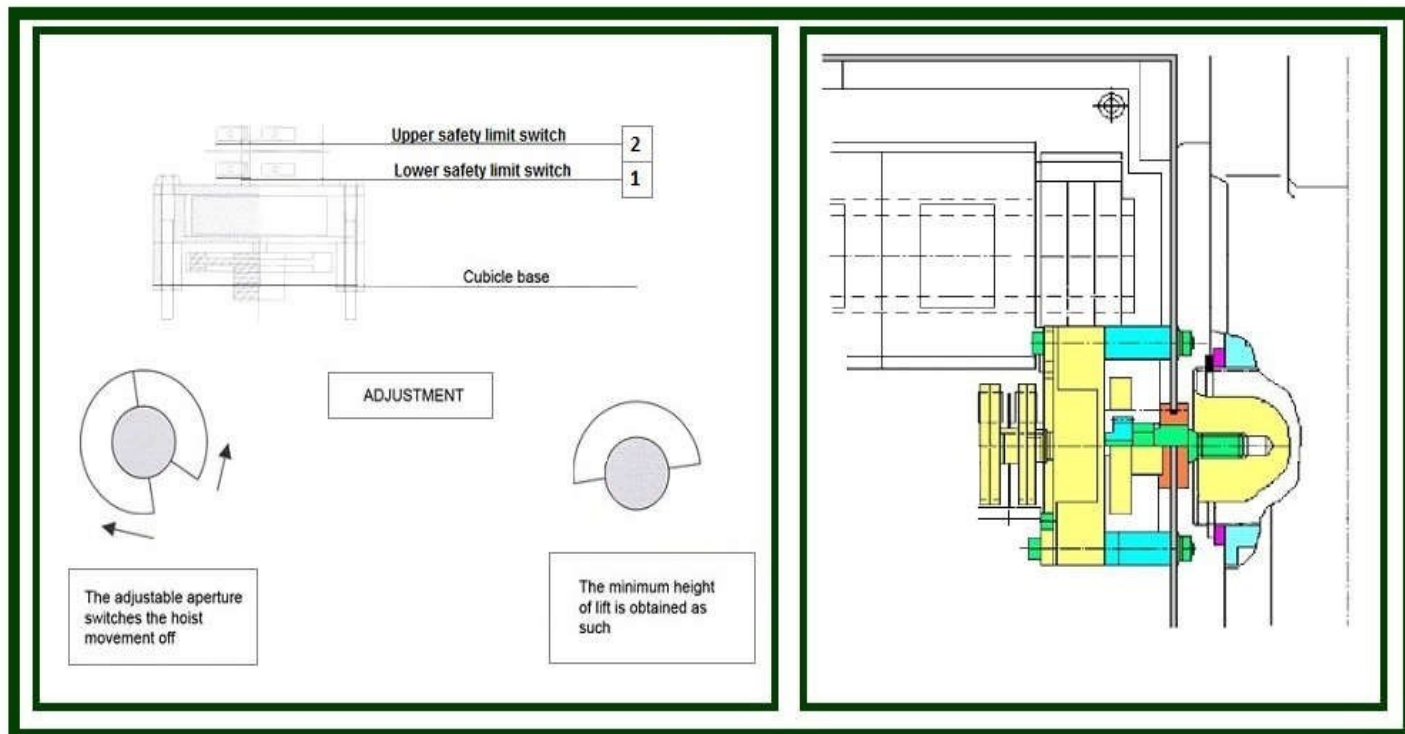
Since May 2006



Item	Reference	Description	Observation	Quantity
1	52335903	Chain guide assembly + spring + limit switch up and down + ejector	Chain 9x27	1
1	52335905	Chain guide assembly + spring + limit switch up and down + ejector	Chain 11.3x31	1
2	52332038	Limit switch assembly + support bracket		1
2A	52326175	Micro-switch - Standard & CSA type	After12/2005	2
3	2269010	Set of 3 springs + support	Chain 9x27	1
3	2279010	Set of 3 springs + support	Chain 11.3x31	1
4	2265502	Chain guide	Chain 9x27	1
4	2265502	Chain guide	Chain 11.3x31	1
4A	2264005	Chain ejector	Chain 9x27	1
4A	2274005	Chain ejector	Chain 11.3x31	1

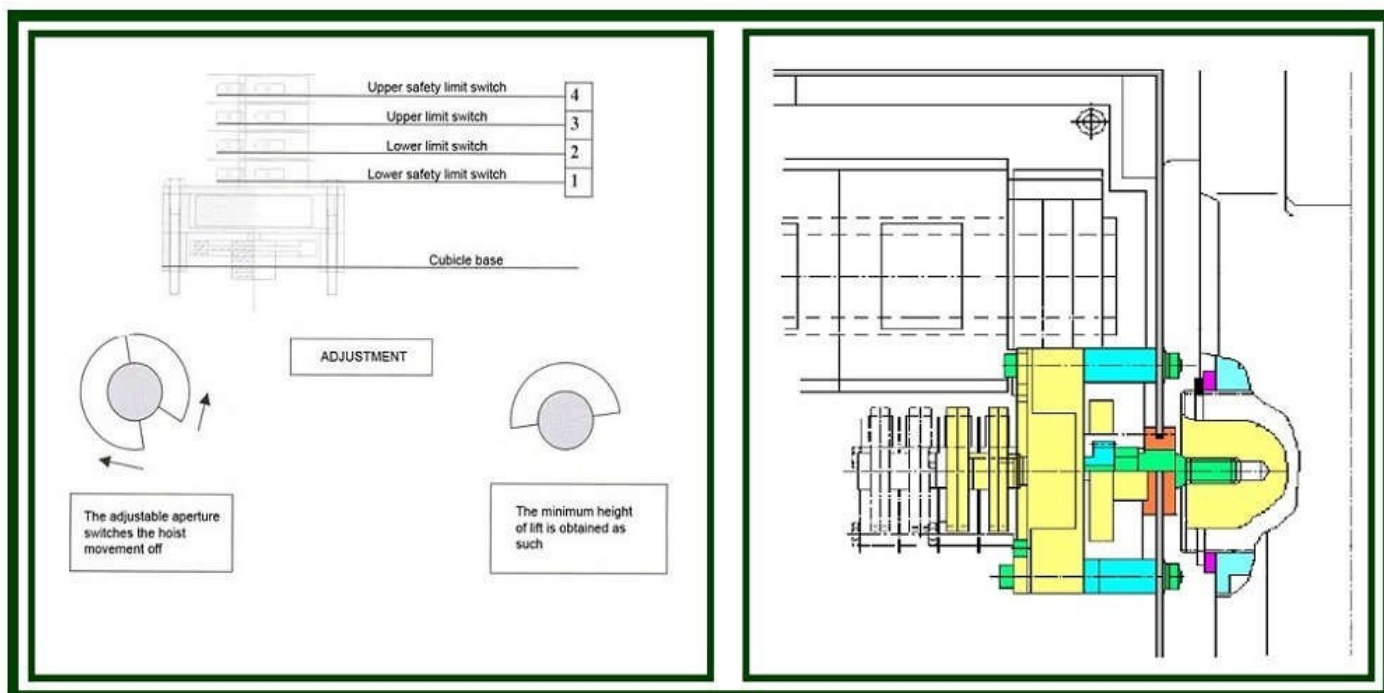
4.3. Rotating limit switch - 2 steps

Use only with metal cubicle



Item	Reference	Description	Observation	Quantity
1	52272210	2 cam limit switch	VL16 : Height of lift on 1 fall VL20/VL25 : Height of lift on 1 fall 0 to 10 m included - Ratio 15	1
1	52272211	2 cam limit switch	VL16 : Height of lift on 1 fall VL20/VL25 : Height of lift on 1 fall 11 to 17 m included - Ratio 25	1
1	52272212	2 cam limit switch	VL16 : Height of lift on 1 fall VL20/VL25 : Height of lift on 1 fall 18 to 60 m included - Ratio 83+1/3	1
1	52272213	2 cam limit switch	VL16 : Height of lift on 1 fall VL20/VL25 : Height of lift on 1 fall 61 to 72 m included - Ratio 100	1
-	833864	Cover	Push buttons	1
-	833866	Connector	Push buttons	1
=	52270369	Metal cubicle RVI equipped for 2 cam limit switch	VL16-VL20-VL25	1
=	52741878	Axle module	VL16-VL20-VL25	1

4.4. Rotating limit switch - 4 steps



Item	Reference	Description	Observation	Quantity
1	52292342	4 cam limit switch	VL16 : Height of lift on 1 fall : 0 to 11 m included VL20/VL25 : Height of lift on 1 fall : 0 to 10 m included Ratio 15	1
1	52275005	4 cam limit switch	VL16 : Height of lift on 1 fall : 12 to 18 m included VL20/VL25 : Height of lift on 1 fall : 11 to 17 m included Ratio 25	1
1	52275006	4 cam limit switch	VL16 : Height of lift on 1 fall : 19 to 62 m included VL20/VL25 : Height of lift on 1 fall : 18 to 60 m included Ratio 83+1/3	1
-	833864	Cover	Push buttons	1
-	833866	Connector	Push buttons	1
=	52741878	Axle module	VL16-VL20-VL25	1

4.5. 2 cam rotating limit switch - After 2009

Rotating limit switch 4 step, see chap 4.3

1

3

Visser le petit axe dans la noix avec un peu de Loctite n°243

Screw the little shaft in the chain sprocket with some Loctite n°243

2

4

Ce fin de course ne peut pas être installé sur un coffret plastique standard

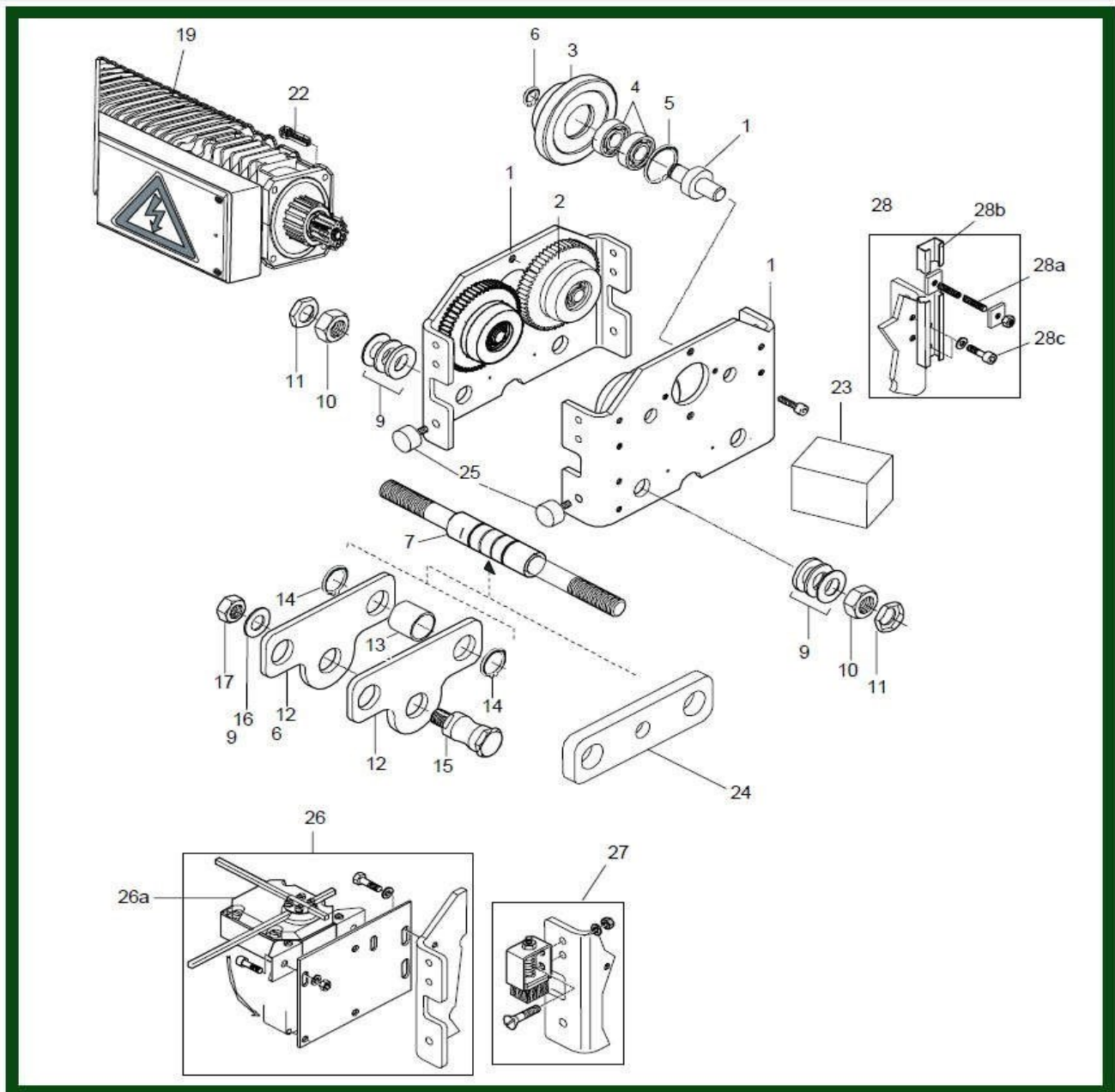
This limit switch can't fit in the standard plastic cubicle

Palans Hoist	VL16	VL20	VL25
Hauteur de levée maximale Maximum height of lift	32 m sur 1 brin/ 1 fall 16 m sur 2 brins/ 2 falls	30 m sur 1 brin/ 1 fall 15 m sur 2 brins/ 2 falls	30 m sur 1 brin/ 1 fall 15 m sur 2 brins/ 2 falls
Chaîne Chain	9 x 27	11.3x31	11.3x31

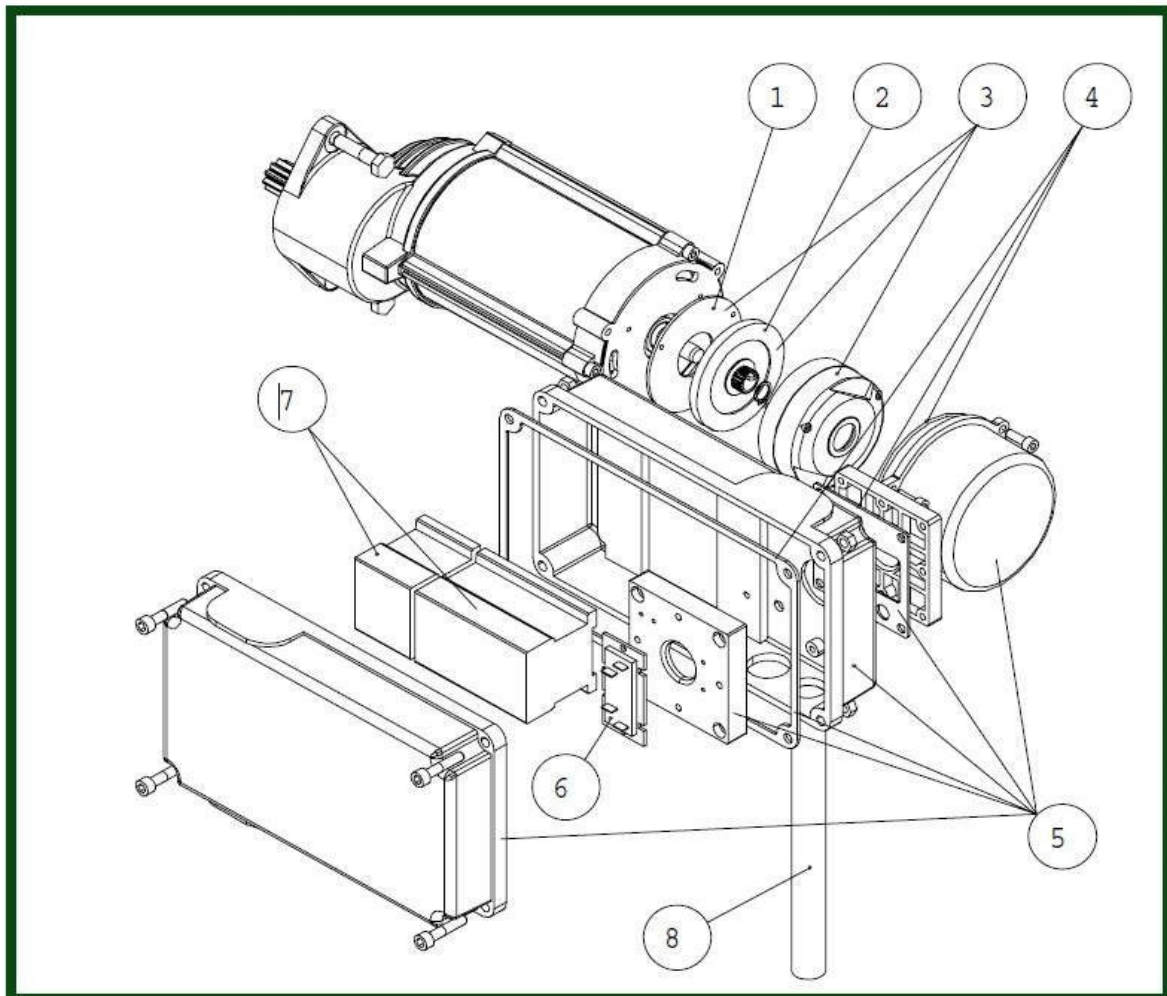
Item	Reference	Description	Observation	Quantity
1	52343062	Subset box full + Subset rotating limit	380-400-415VAC 48V 50-60Hz	1
2	52343058	Kit axe de liaison	To rotating limit switch 2 steps After 2009, with plastic cubicle	1
3	52343055	Pinion - Nut side		1
4	52872585	Subset rotating limit		1
-	7541514Y	Hoisting limit switch	Lift height : 32 m	1

5. NORMAL HEADROOM TROLLEY

NHT



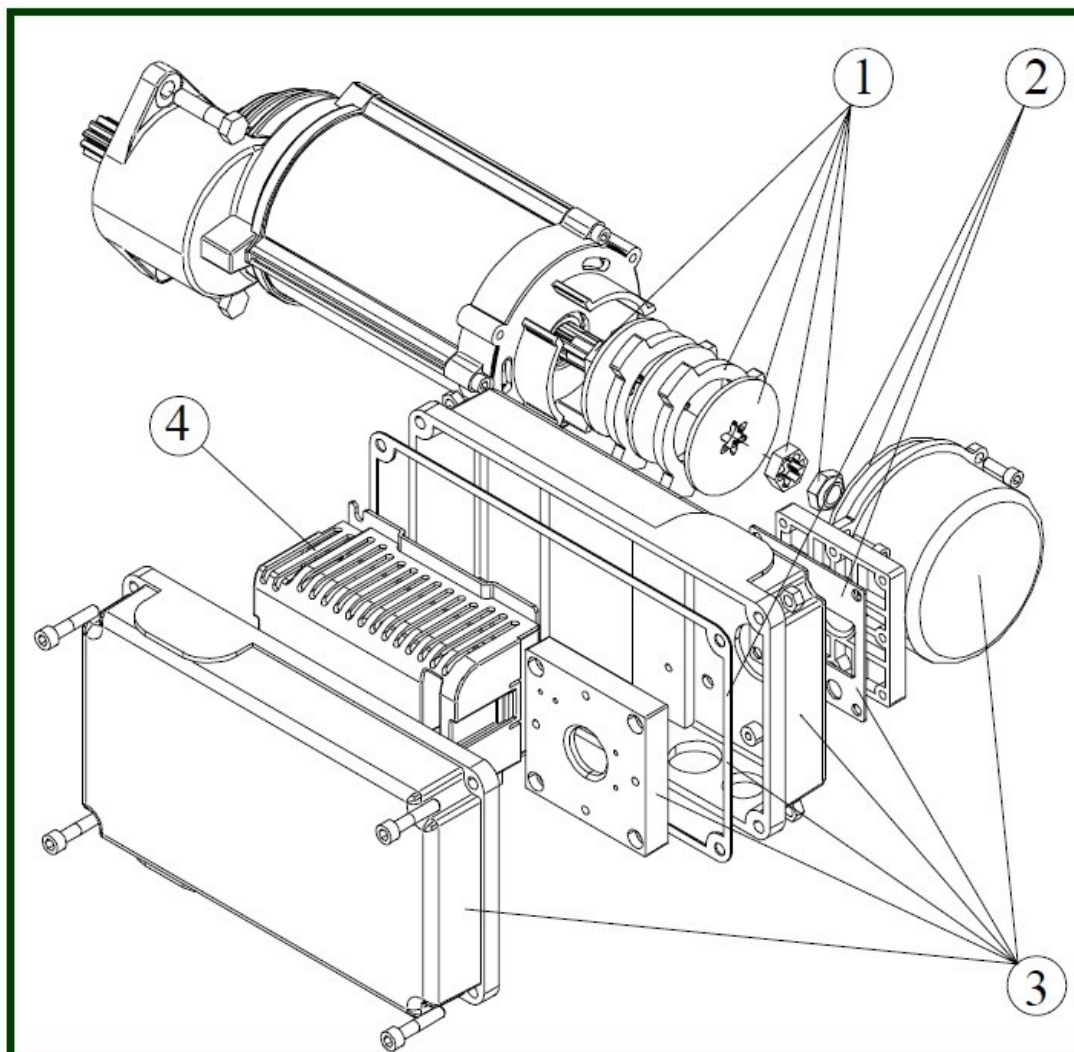
5.1. Two speeds TMU motor



Two speeds TMU motor

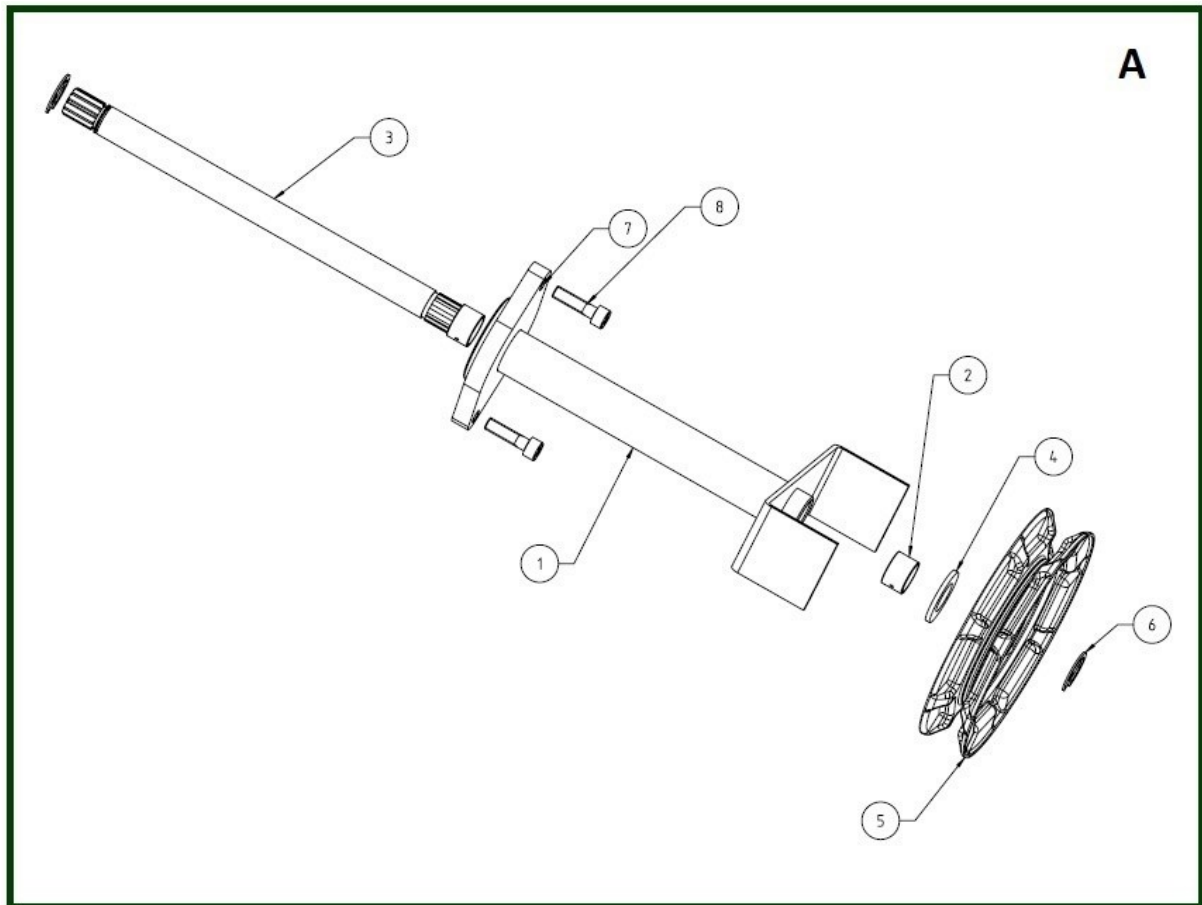
Item	Reference	Description	Observation	Quantity
1	<u>52269590</u>	Friction plate	NM38710KLV	1
2	<u>52269587</u>	Brake disc	NM38710JPV	1
3	<u>52269582</u>	Brake disc - 180V	NM38710NR2V	1
4	<u>52300292</u>	Sealing set	M06-008V	1
5	<u>52300291</u>	Terminal box	M06-007V	1
6	<u>60010152</u>	Rectifier	NM181NR2V Motor 220V	1
6	<u>60003169</u>	Rectifier	NM181NR4V Motor 380 to 550V	1
7	<u>52306794</u>	Reversing contactor - 110V	M06-011V	1
7	<u>52306795</u>	Reversing contactor - 230V	M06-012V	1
7	<u>52306792</u>	Reversing contactor- 48V	M06-010V	1
8	<u>52297959</u>	Connection Cable	CCGCELCP-04	1
-	<u>52908158</u>	Fixing set		1

5.2. Travelling machinery (Variation speed)



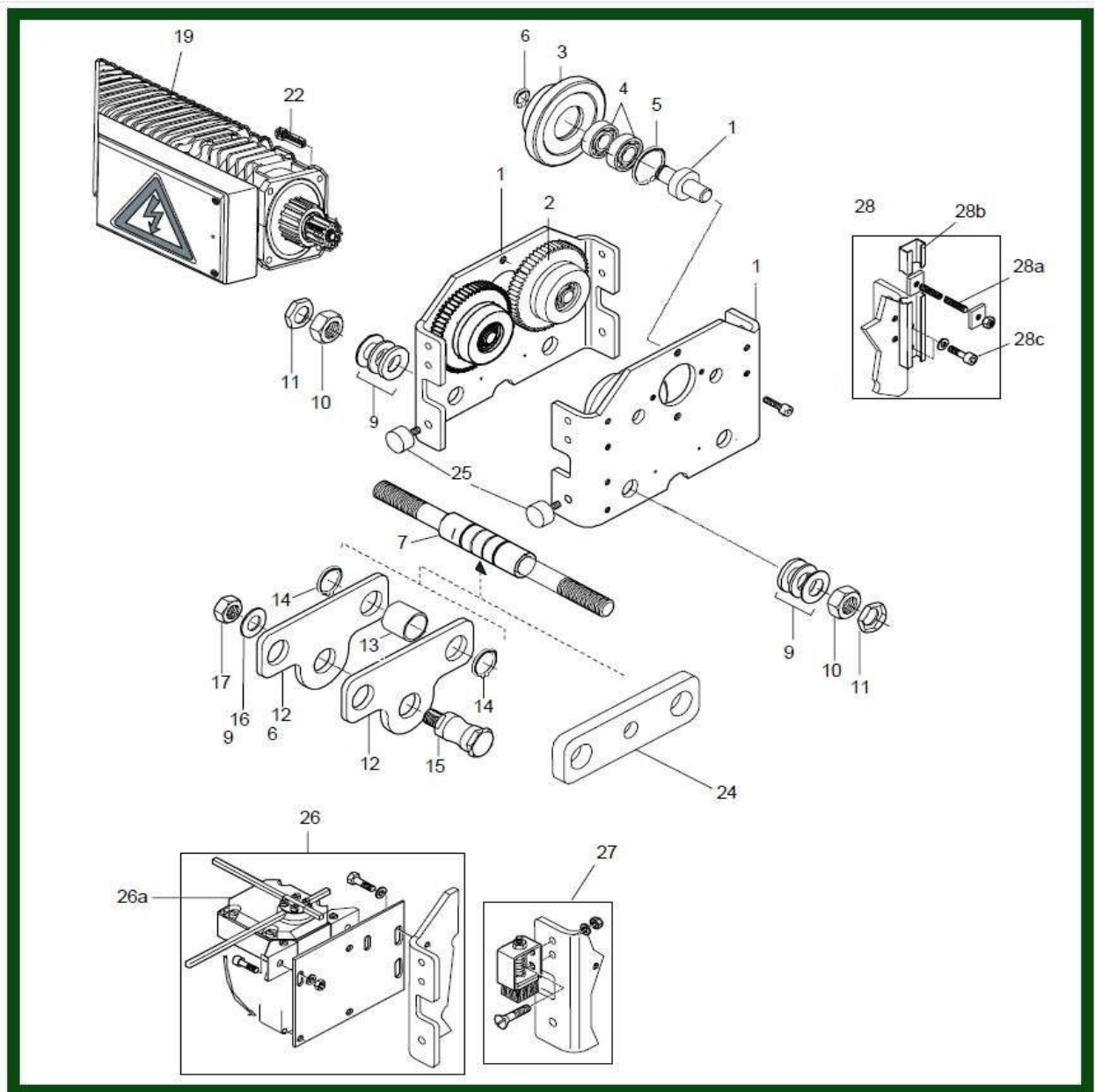
Item	Reference	Description	Observation	Quantity
1	52296293	Brake repair set		1
2	52300292	Sealing set		1
3	52300291	Terminal box		1
4	52300287	Inverter 48 V + filter		1
4	52300288	Inverter 115 V + filter		1
5	52297959	Connection Cable	CCGCELCP-04	1

5.3. Chain travel



Item	Reference	Description	Observation	Quantity
1	53155221	CHM shaft		1
2	52845788	Radial sliding bearing		1
3	53155216	Axle		1
4	52294797	Flat washer	M20	1
5	52724779	Travelling hand wheel - \varnothing 165 mm		1
6	52846624	Circlips D.20X1.2mm		1
7	52738485	Contact washer		1
8	52286823	Screw M8x30	DIN912	1
	820003	Galvanized chain - 5x27.1		1
	53020194	Precut Galvanized chain - 5x27.1	9,8 m	1
A	53155441	Chain operated manual travelling	For C1 to C5	1

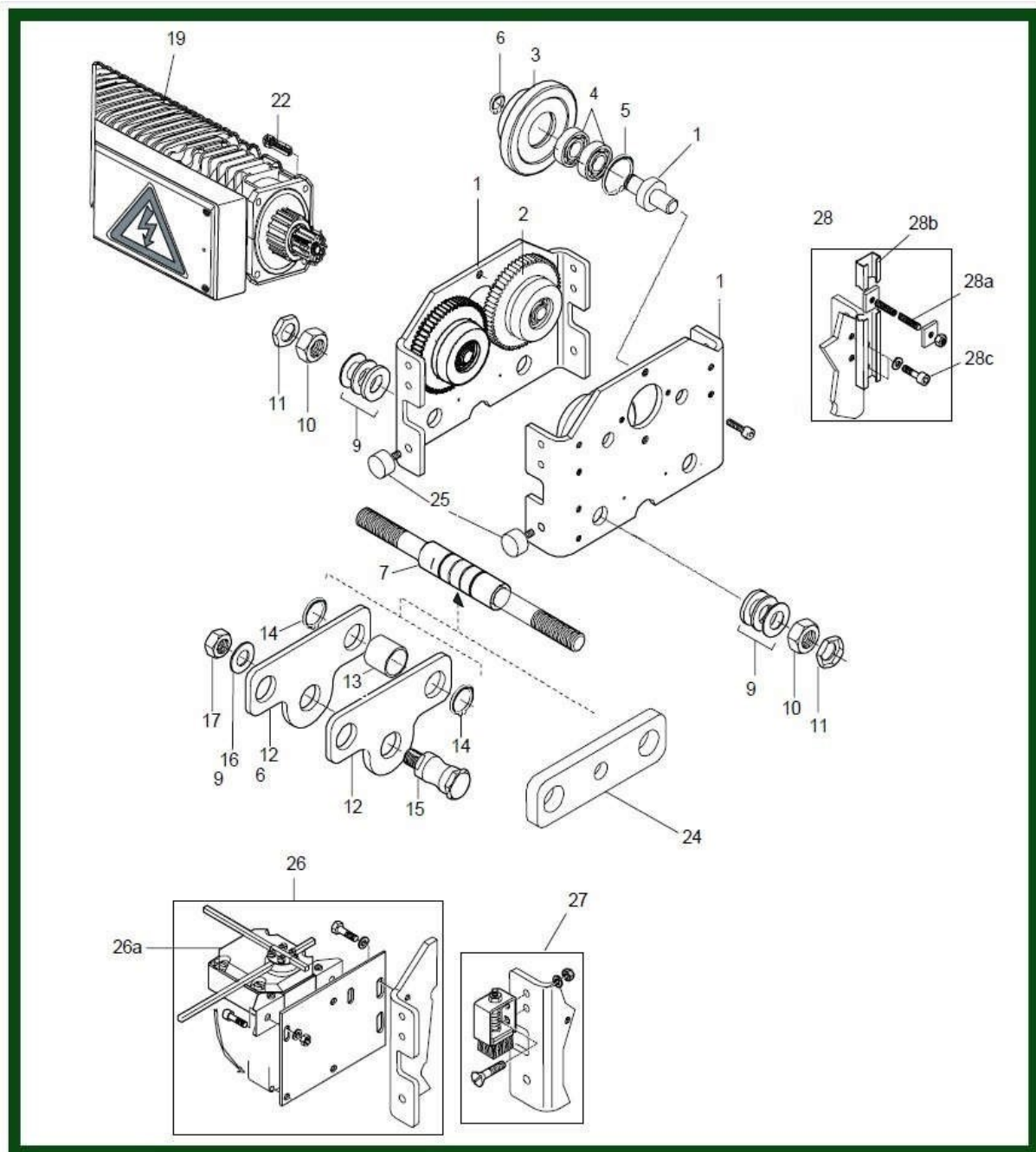
5.4. C3 trolley - 2001 to 3200 Kg



Chariot C3 – 2001 to 3200 Kg

Item	Reference	Description	Observation	Quantity
1	2161000	Side plate	C3 < 3200 kg	2
2	558929	Travel wheel driving - 99 teeth	C3 - Ø 100x150 mm - Standard	2
3	558928	Travel wheel idler without shaft	C3 - Ø 100x150 mm - Standard	2
5	300079	Retaining ring		1
6	830201	Circlips ext.	<3200 kg	4
7	2162563	Tension rod for the wide beam = 82-137	<3200 kg	2
7	2162564	Tension rod for the wide beam = 140-190	<3200 kg	2
7	2162565	Tension rod for the wide beam = 198-248	<3200 kg	2
7	2162566	Tension rod for the wide beam = 260-310	<3200 kg	2
9	832114	Washers M30 ep = 3mm	<3200 kg	0
9	400773	Washers M30 ep = 4mm	<3200 kg	0
10	831530	Nut H M30	<3200 kg	4
11	831577	Nut PAL M30	<3200 kg	4
12	558942	Coupling part	C3 <3200 kg	1
13	558945	Positioning tube	CHM30 < 3200 kg	2
14	400081	Circlips	CHM30 < 3200 kg	4
15	558947	Suspension axle	CHM20/30 <3200 kg	1
16	832110	Washer	CHM20/30 <3200 kg	1
17	831596	Nylstop nut	<3200 kg	1
19	52304882	TMU Motor 400V 48V-0.3Kw	<3200kg <5000kg Short & long - C10	1
22	830203	Screw HM 8x20	FNE & PRC	1
24	2277020	Perpendicular adaptation part	<3200 kg	1
25	558993	Stop	C2-C3-C5	4
26	601801	Complete limit switch	<3200kg <5000kg	1
26a	7541312D	Limit switch	C1-C2-C3	1
28	601806	Line drive ironwork - 235 mm	<3200kg <5000kg	1
28	601807	Line drive ironwork - 435 mm	<3200kg <5000kg	1
28a	602910	Line drive ironwork - 170 mm	<3200kg <5000kg	1
28a	602911	Line drive ironwork - 400 mm	<3200kg <5000kg	1
28b	558997	Line drive ironwork 235 mm	<3200kg <5000kg	1
28b	558999	Line drive ironwork 435 mm	<3200kg <5000kg	1
28c	7215453J	Screw CHC 8x16	<3200kg <5000kg	1
-	601805	Limit switch trigger	1 for 1 step - 2 for 2 step	1

5.5. C5 Trolley - 3200 to 5000 Kg

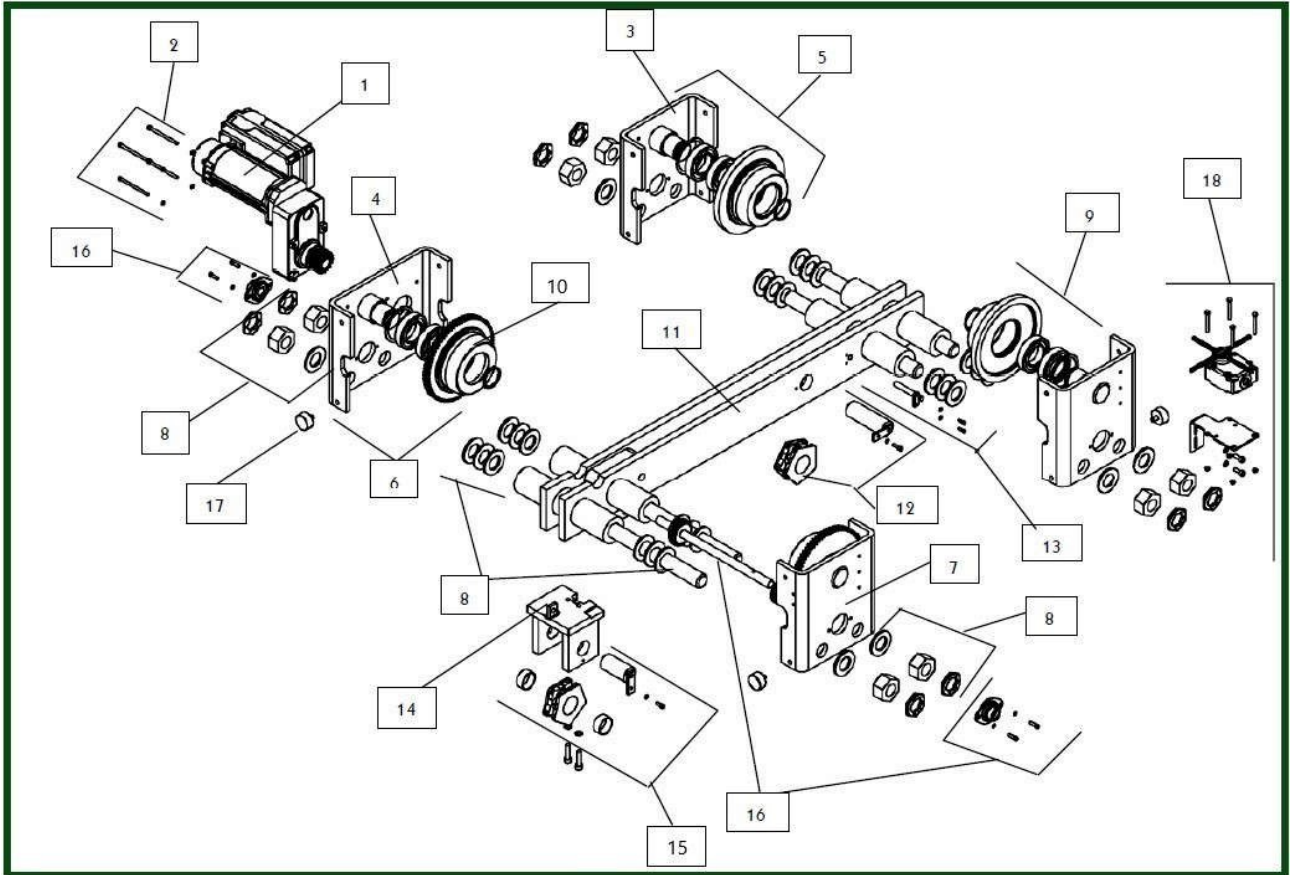


C5 trolley – 3000 to 5000 Kgs

Item	Reference	Description	Observation	Quantity
1	2181000	Side plate	C5 < 5000 kg	2
2	558949	Driving wheel with bearings	TMU / LS	2
3	558948	Idle wheel with bearings 3+4+5	<5000kg	2
5	300079	Retaining rings		2
6	400078	Ext. circlips	C5 < 5000kg - Ø 35	4
7	2182553	Tension rod for the wide beam = 82-110	<5000kg	2
7	2182554	Tension rod for the wide beam = 113-150	<5000kg	2
7	2182555	Tension rod for the wide beam = 155-200	<5000kg	2
7	2182556	Tension rod for the wide beam = 206-248	<5000kg	2
7	2182557	Tension rod for the wide beam = 260-310	<5000kg	2
9	8584225	Washer M36 - ep = 2,5mm	<5000kg	0
9	8584206	Washer M36 - ep = 6mm	<5000kg	0
10	8004234	Nut H M36	<5000kg	4
11	8004208	PAL nut M36	<5000kg	4
19	52304882	TMU Motor 400V 48V-0.3Kw	<3200kg <5000kg - Short & long	1
22	830203	Screw HM 8x20	FNE & PRC	1
24	2182000	Adaptation part – Perp.	<5000kg	1
25	558993	Stop	C2-C3-C5	4
26	601801	Complete limit switch	<3200kg <5000kg	1
26a	7541312D	Limit switch	C1-C2-C3	1
28	601806	Line drive ironwork - 235 mm	<3200kg <5000kg	1
28	601807	Line drive ironwork - 435 mm	<3200kg <5000kg	1
28a	602910	Line drive ironwork - 170 mm	<3200kg <5000kg	1
28a	602911	Line drive ironwork - 400 mm	<3200kg <5000kg	1
28b	558997	Line drive ironwork 235 mm	<3200kg <5000kg	1
28b	558999	Line drive ironwork 435 mm	<3200kg <5000kg	1
28c	7215453J	Screw CHC 8x16	<3200kg <5000kg	1
-	601805	Limit switch trigger	1 for 1 step - 2 for 2 step	1

6. LOW HEADROOM TROLLEY

LHT

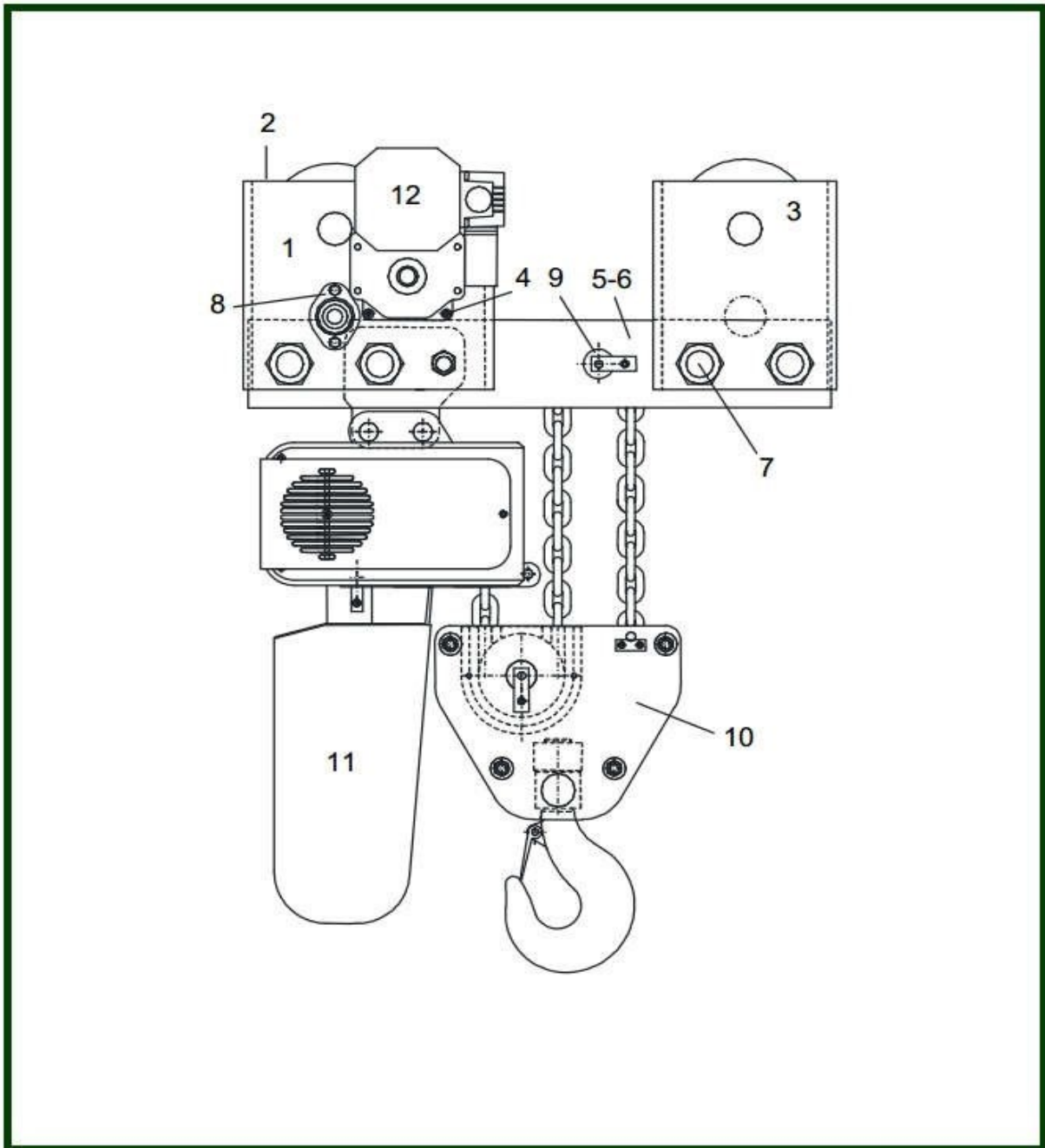


Low Headroom trolley

Item	Reference	Description	Observation	Quantity
1	52332076	Motor 400V / 48V / 50 Hz		1
1	52328891	Motor 400V / 115V / 50 Hz		1
2	820222	Motor fixing screw		4
3	52331649	Gear side flange + axle		3
4	52331650	Motor side flange + axle		1
5	52331653	Gear side flange assembly	T75E-SF06 Flange + complete wheel	2
6	52331654	Motor side flange assembly	T75E-SD07 Flange + complete wheel	1
7	52331655	Synchro flange assembly		1
8	52333038	Tie rod 100 to 149 mm		4
8	52333039	Tie rod 150 mm		4
8	52333040	Tie rod 151 to 199 mm		4
8	52333042	Tie rod 200 to 222 mm		4
8	52333044	Tie rod 223 to 249 mm		4
8	52333045	Tie rod 250 to 299 mm		4
8	52333046	Tie rod 300 to 310 mm		4
8	52333047	Tie rod - 300 to 310 mm		4
8	52333049	Tie rod de 310 mm		4
9	52330352	Complete Idler roller		2
10	52330355	Complete motor roller		2
11	52288053	Cross bar	Less than or equal to 190mm	1
11	52292482	Cross bar	Greater than or equal to 300mm	1
12	52337811	Chain sprocket	Crossmember side, sprocket, shaft, screws	1
13	52294011	End fastener module		1
14	52288049	Support return sprocket		1
15	52337896	Return sprocket module		1
16	35002016	Driving wheel system		1
17	558993	Stop	C2-C3-C5 - <3200kg <5000kg	4
18	601801	Complete limit switch	C2-C3-C5 - <3200kg <5000kg	1
-	601805	Limit switch trigger	1 for 1 step - 2 for 2 step	1

6.1. Electric trolley - Main drawing - 3 falls

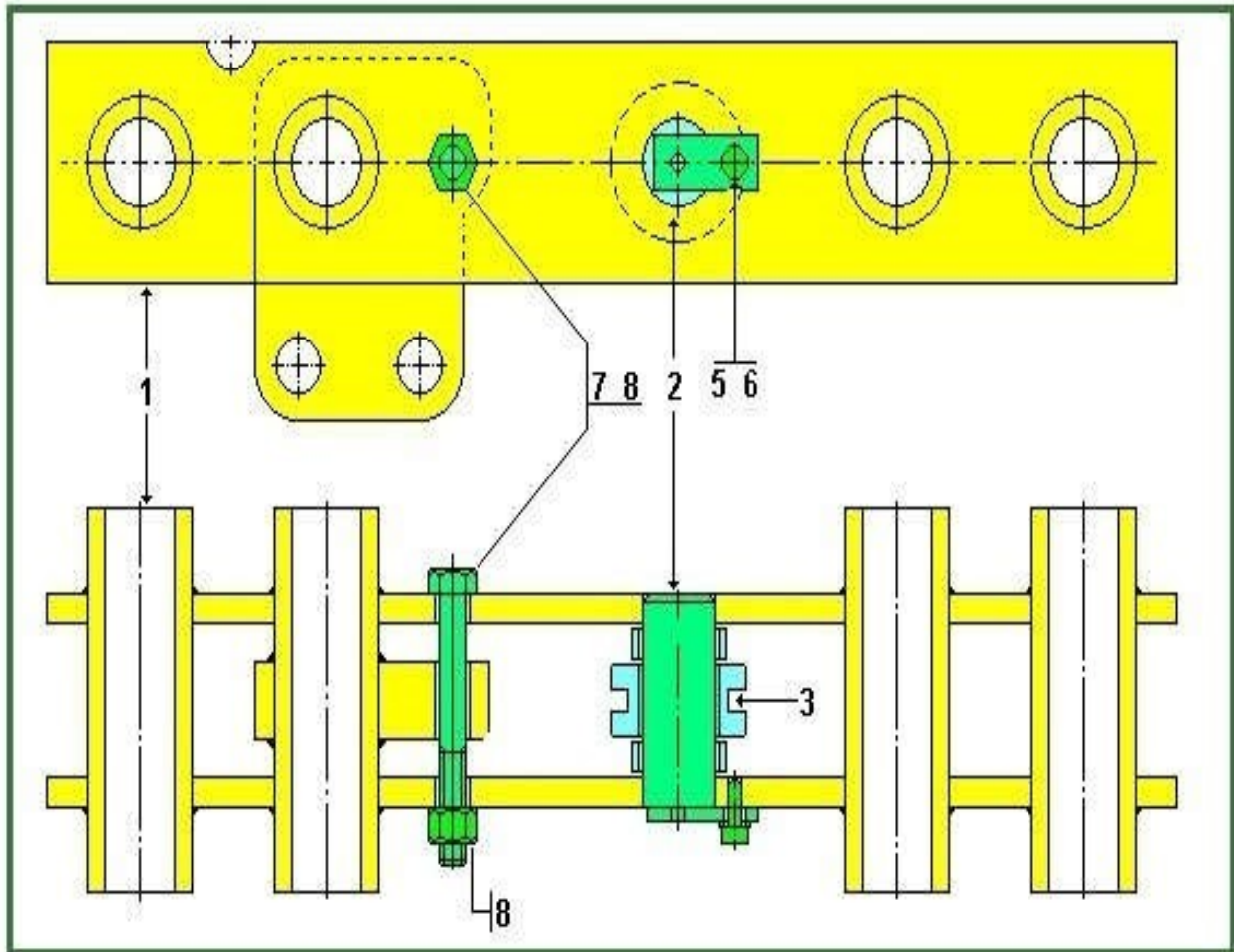
MF07



Electric trolley – Main drawing – 3 falls

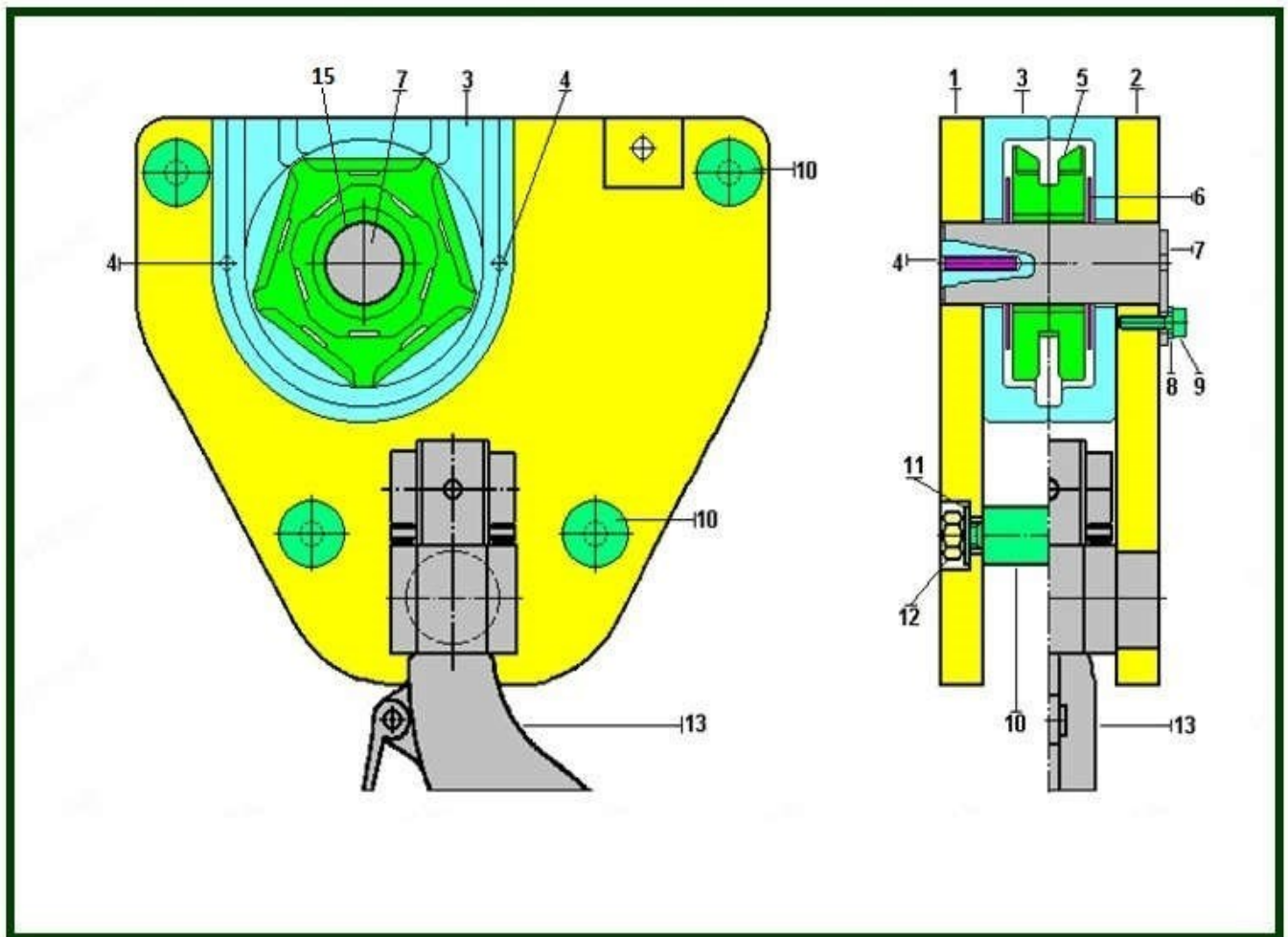
Item	Reference	Description	Observation	Quantity
1	<u>550248</u>	Side plate driving side		1
2	<u>550249</u>	Side plate synchro		1
3	<u>550246</u>	Side plate idle		2
4	<u>8011550</u>	Screw		4
5	<u>52287978</u>	Cross member assembly L190	For girder 130 - 198 mm	1
6	<u>52292082</u>	Cross member assembly L300	For girder 200 - 300 mm	1
7	<u>52292071</u>	Tie rod + bush + washer 130-138		1
7	<u>52292072</u>	Tie rod + bush + washer 139-150		1
7	<u>52292073</u>	Tie rod + bush + washer 151-189		1
7	<u>52292074</u>	Tie rod + bush + washer 190-197		1
7	<u>52292075</u>	Tie rod + bush + washer 198-200		1
7	<u>52292076</u>	Tie rod + bush + washer 201-249		1
7	<u>52292077</u>	Tie rod + bush + washer 250-299		1
7	<u>52292078</u>	Tie rod + bush + washer 300-310		1
8	-	S.E. synchro	Consult us	1
9	<u>2274015</u>	Return wheel assembly		1
10	-	3 fall hook block assy	Consult us	1
11	-	Chain bag assy	Consult us	1
12	<u>553669</u>	Gearbox	400V	1
-	<u>601805</u>	Limit switch trigger	1 for 1 step - 2 for 2 step	1

6.2. Cross member - 3 falls



Item	Reference	Description	Observation	Quantity
1	52287978	Cross member assembly L190	For girder 130 - 198 mm	1
1	52292082	Cross member assembly L300	For girder 200 - 300 mm	1
2	52287983	Return wheel shaft		1
3	2274015	Return wheel assembly		1
4	52288051	Bush		1
5	830909	Screw CHC M6x20		1
6	832021	Washer		1
7	52291833	Screw		1
8	831593	Nylstop nut	∅ 10	1
-	2267008	Return wheel bush		1

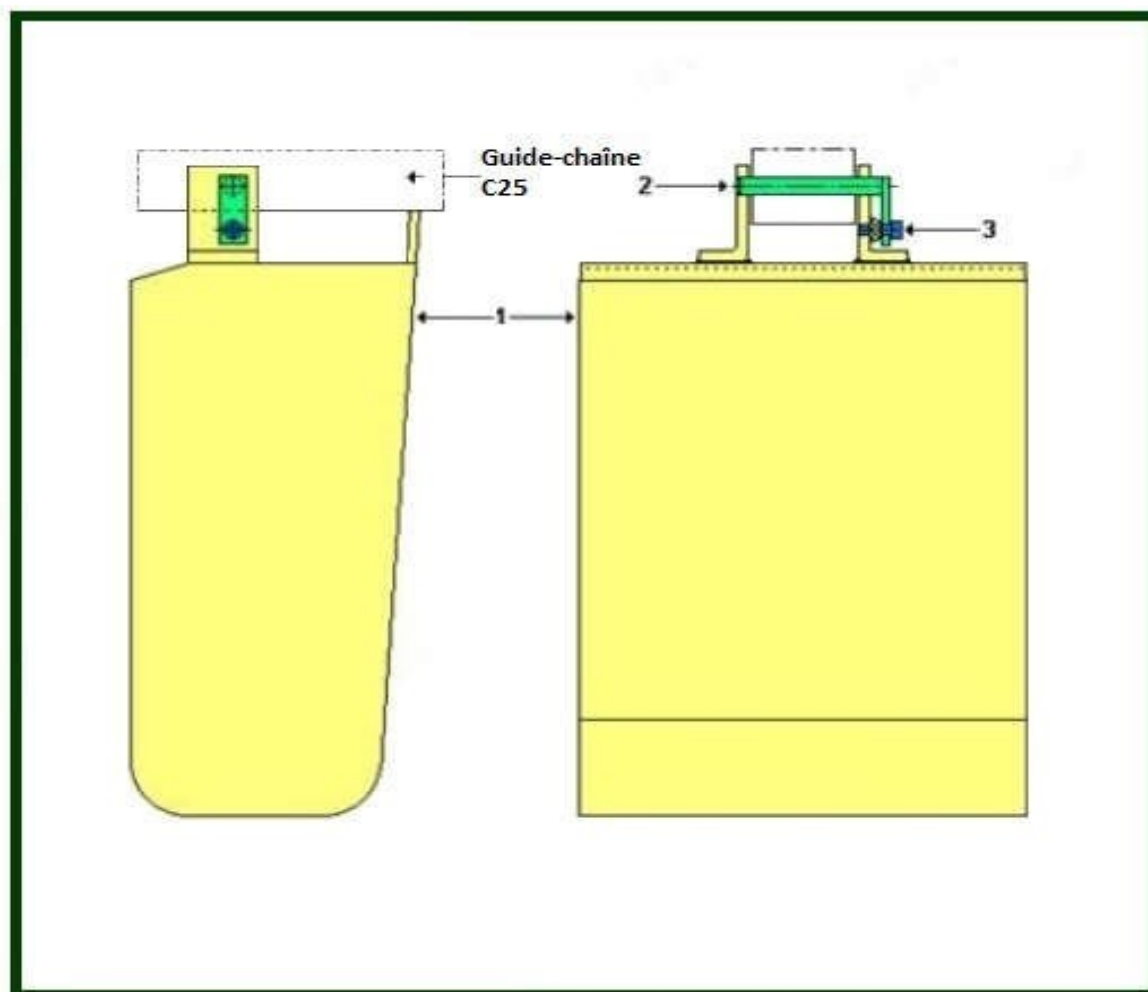
6.3. Hook block - 3 falls



Hook block – 3 falls

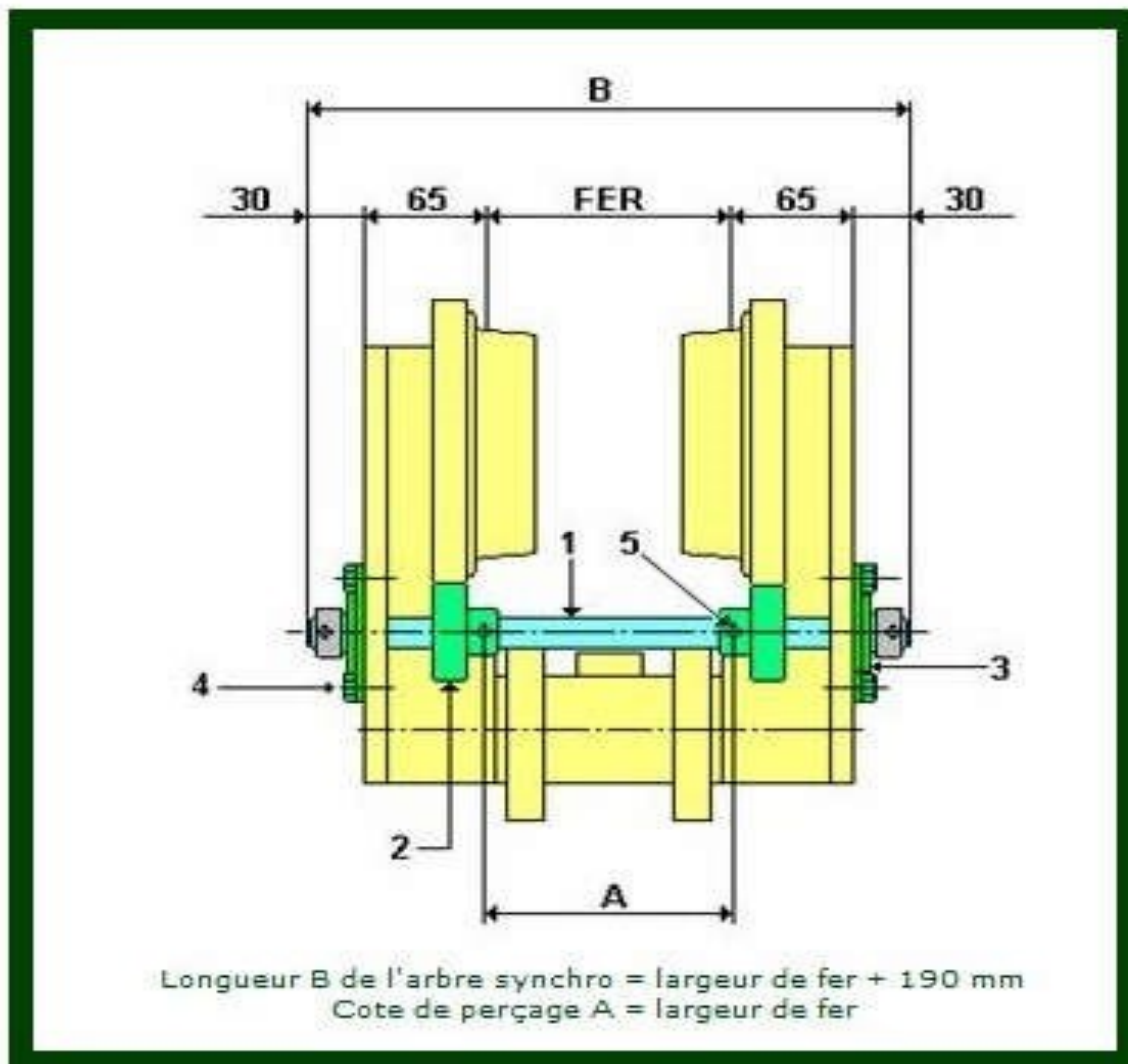
Item	Reference	Description	Observation	Quantity
1	<u>52287546</u>	Side plate - Left		1
2	<u>52287545</u>	Side plate - Right		1
3	<u>52292239</u>	Half chain guide		2
4	<u>831616</u>	Dowel		4
5	<u>2274001</u>	Return wheel		1
6	<u>8584225</u>	Washer M36 ep = 2,5mm	<5000kg	2
7	<u>52287983</u>	Return wheel shaft		1
8	<u>832021</u>	Washer plate		1
9	<u>830909</u>	Screw CHC M6x20		1
10	<u>52291844</u>	Hook block bush		4
11	<u>7231122R</u>	Washer		8
12	<u>831594</u>	Nut M16		8
13	<u>52291845</u>	Lower hook block - 3 falls	Chain 11.3x31 - 7.5 T	1
14	<u>52315931</u>	Safety latch - Steel plate type n° 2.5	After 06/99	1
15	<u>2267008</u>	Return wheel bush		1
-	<u>52292235</u>	Hookblock - 3 falls	VL25	1
	<u>53535535</u>	Rope anchorage		1

6.4. Chain bag - 3 & 4 falls



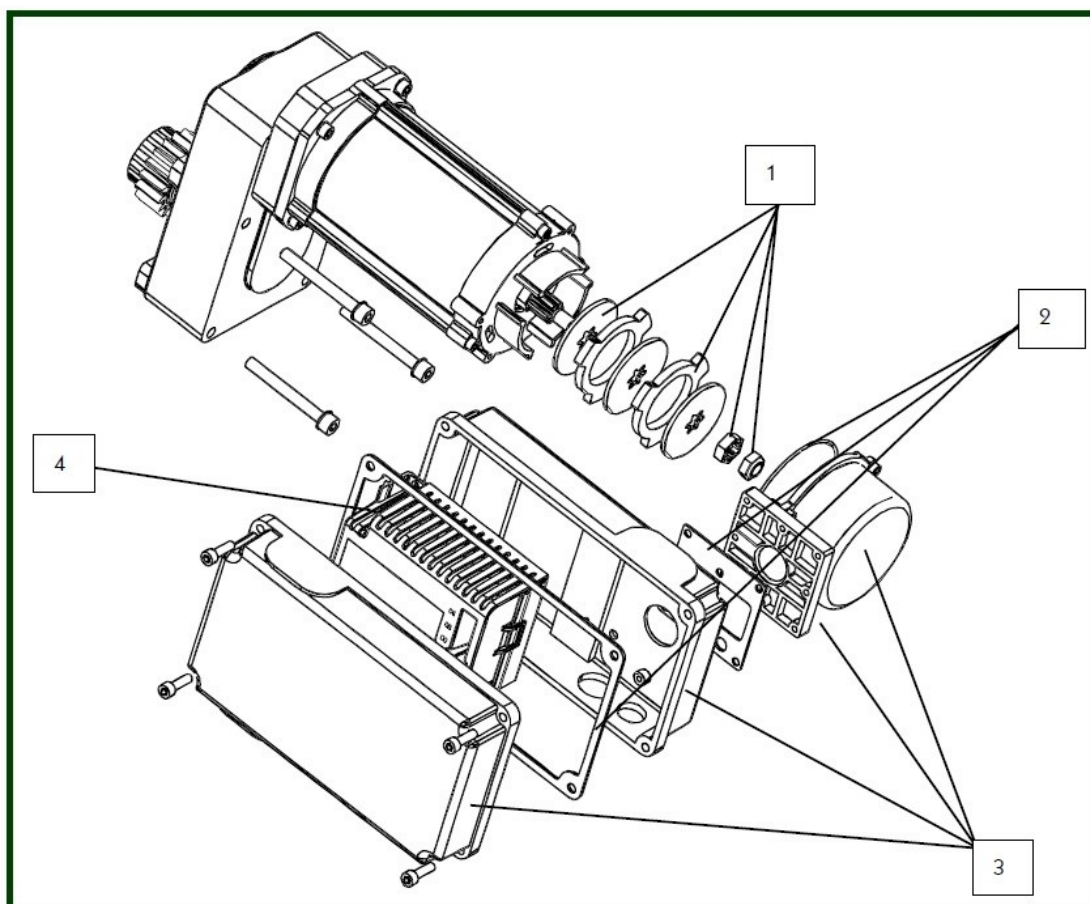
Item	Reference	Description	Observation	Quantity
1	52292004	Chain bucket - 3 falls & 4 falls	VL20-VL25 - 3 falls : 3 m - 4 falls : 6 m	1
1	52293324	Chain bucket - 3 falls & 4 falls	VL20-VL25 - 3 falls : 9 m - 4 falls : 15 m	1
1	52294886	Chain bucket - 3 falls & 4 falls	VL20-VL25 - 3 falls : 16 m - 4 falls : 25 m	1
2	52292006	Chain bag suspension shaft		1
3	7215353A	Screw CHC 6x16		5

6.5. Synchro assy - 3 falls



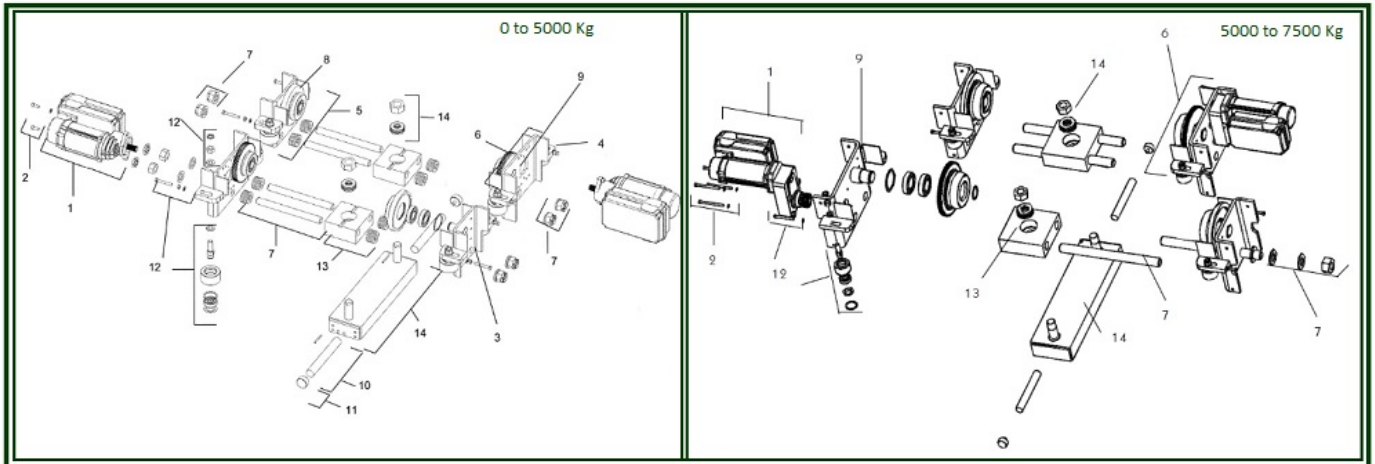
Item	Reference	Description	Observation	Quantity
1	810306	Synchro shaft		1
2	550250	Synchro pinion	Trolley 2/93	2
3	831785	Synchro bush		2
4	7211454N	Screw		4
5	831617	Washer		2

6.6. TMU3 – Variation speed

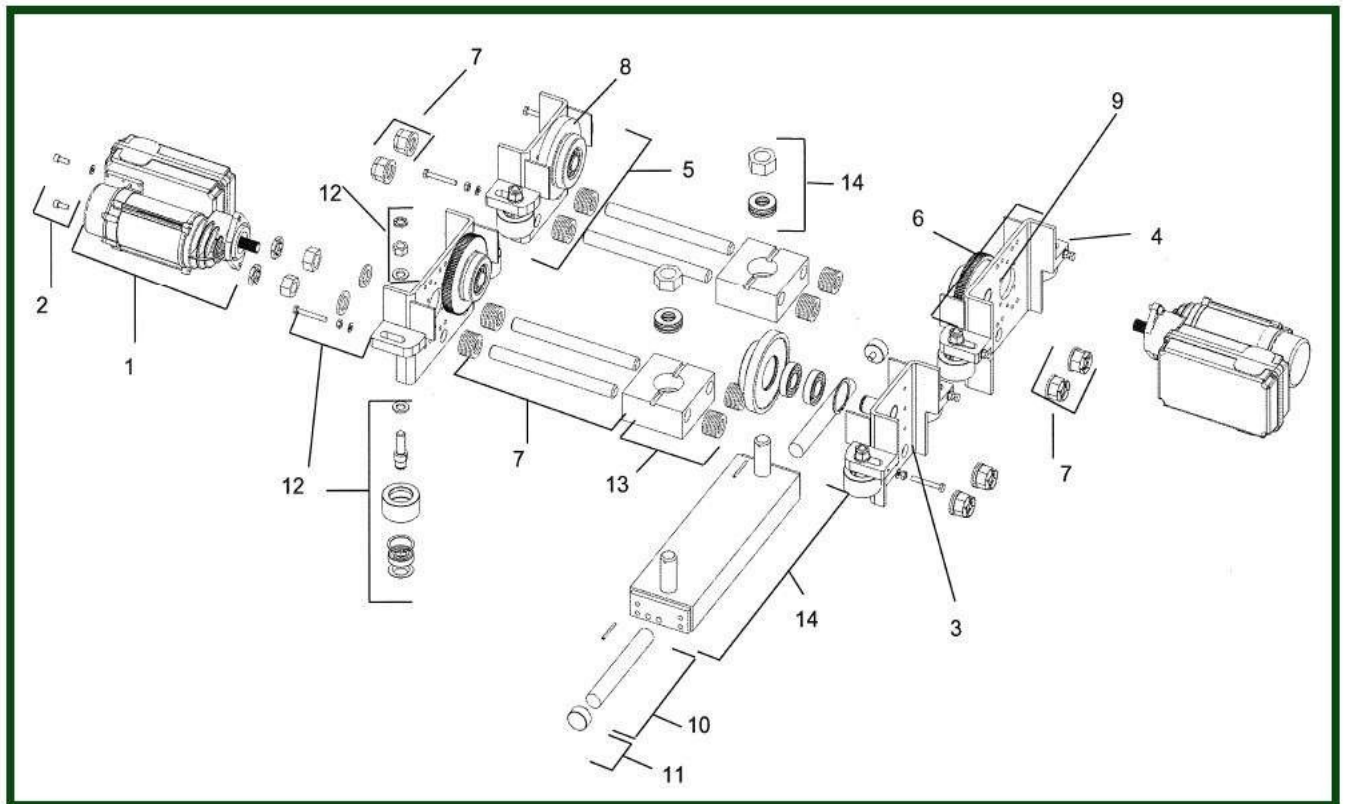


Item	Reference	Description	Observation	Quantity
1	52296293	Brake repair set		1
2	52300292	Sealing set		2
3	52300291	Terminal box		2
4	52300287	Inverter 48 V + filter		4
4	52300288	Inverter 115 V + filter		2
	52333698	Connection cable		1

7. ELECTRIC TROLLEY – BOGGIE



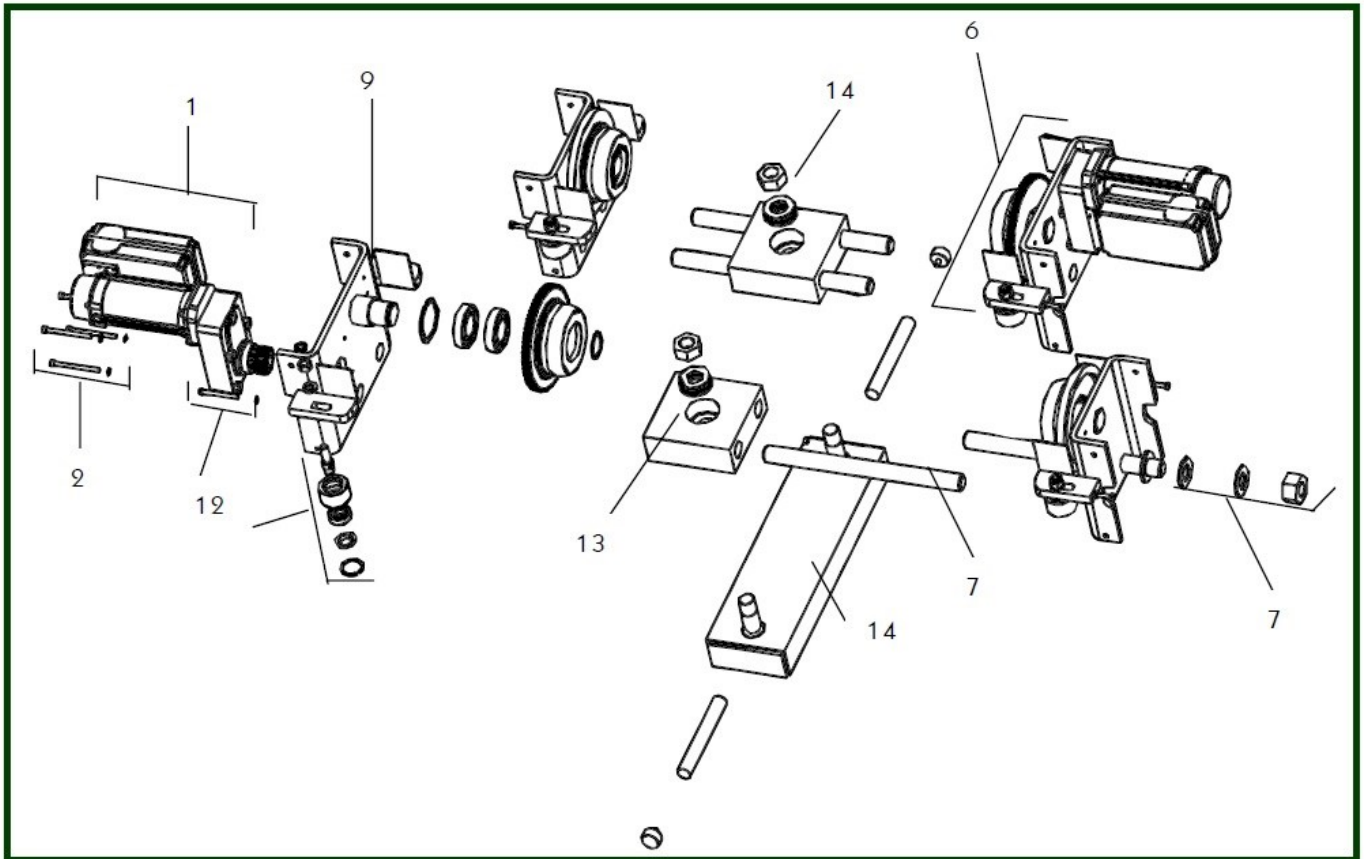
7.1. Swivelling trolley from 0 to 5000 Kg



Swivelling trolley from 0 to 5000 kg

Item	Reference	Description	Observation	Quantity
1	52299089	TMU Motor 400V 48V	< 1000 kg	2
1	52304882	TMU Motor 400V 48V-0.3Kw	3200kg to 5000kg C10 Short & long - C10	2
1	52299090	TMU Motor 400V 115V	< 1000 kg	2
1	52304881	TMU Motor 400V 115V	1001 Kg to 5000 Kg	2
2	52311193	Motor fixing screw and washer		4
3	52299591	Travel wheel beam + axle	TMU	2
4	52299593	Travel wheel beam + axle	TMU	2
5	52299598	Gear side flange assembly		2
6	52299599	Motor side flange assembly		2
7	556966	Tie rod 66 to 110 mm		1
7	556967	Tie rod 113 to 170 mm		1
7	556968	Tie rod 178 to 240 mm		1
7	556969	Tie rod 248 to 310 mm		1
8	558928	Travel wheel idler without shaft	C3 - Ø 100x150 mm - Standard	2
9	558929	Travel wheel driving - 99 teeth	C3 - Ø 100x150 mm - Standard	2
10	556962	Stop lengthen		2
11	558993	Stop	C2-C3-C5	2
12	4501211W	Guide roller set		8
13	5502103X	Crosshead only		2
14	52314816	Coupling cross bar set	C05	1
14	52314817	Coupling cross bar set	C10	1
	52306470	Cubicle		1

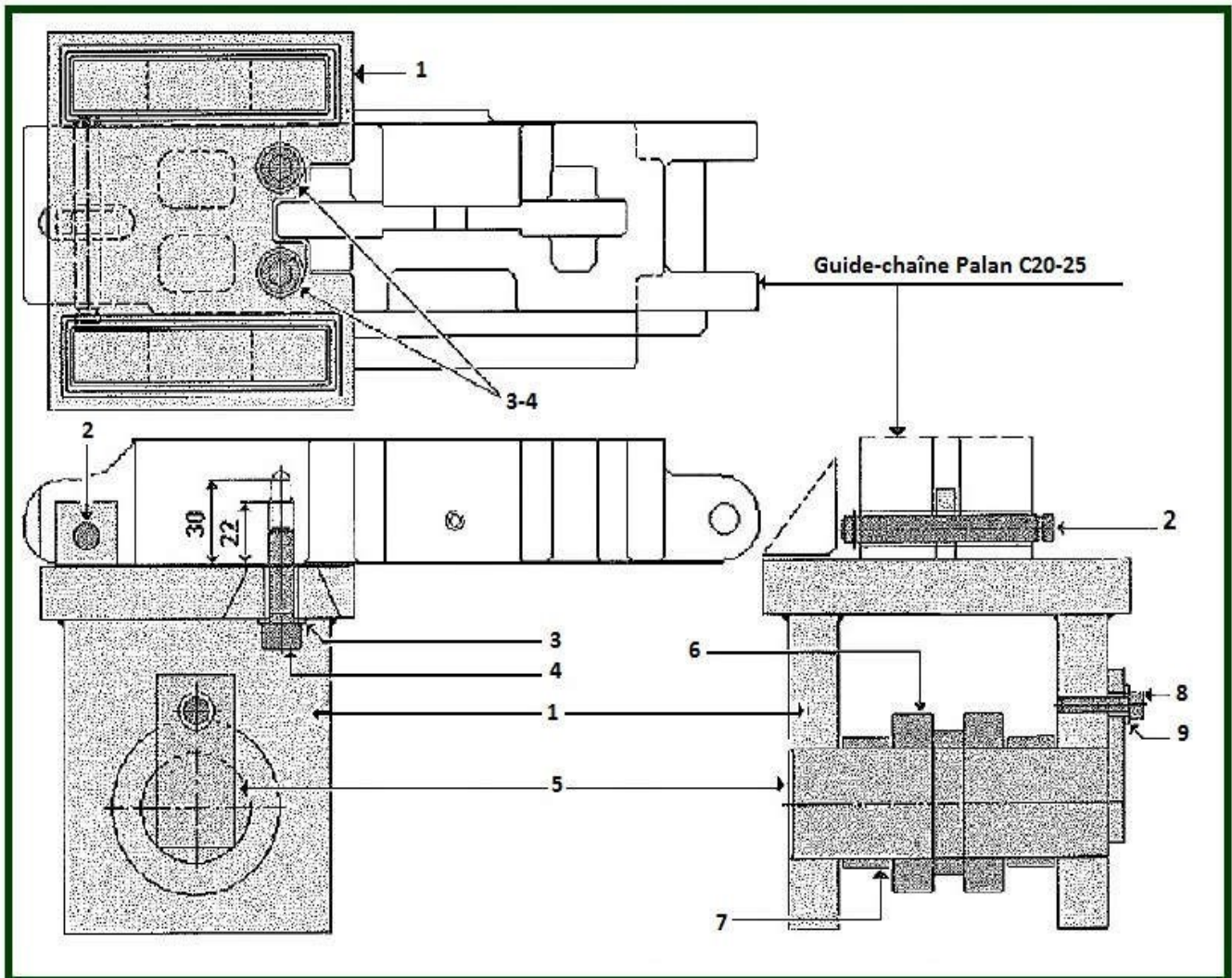
7.2. Swivelling trolley - From 5000 to 7500 Kg



Swivelling trolley – From 5000 to 7500 Kgs

Item	Reference	Description	Observation	Quantity
1	52332076	TMU Motor 400V 48V 50 Hz		2
1	52328891	TMU Motor 400V 115V 50 Hz		2
2		Screw + washer fixing motor	Consult us	8
3	52330358	Travel wheel beam + axle		2
4	52330360	Travel wheel beam + axle		2
5	52330361	Gear side flange assembly		2
6	52330362	Motor side flange assembly		2
7	52333038	Tie rod 100 to 149 mm		1
7	52333039	Tie rod 150 mm		1
7	52333040	Tie rod 151 to 199 mm		1
7	52333042	Tie rod 200 to 222 mm		2
7	52333044	Tie rod 223 to 249 mm		2
7	52333045	Tie rod 250 to 299 mm		2
7	52333046	Tie rod 300 to 310 mm		2
8	52330352	Complete Idler roller		2
9	52330355	Complete motor roller		2
10	556962	Stop lengthen		2
11	558993	Stop		2
12	4501211W	Guide roller set		8
13	5512106V	Coupling cross bar set		2
14	556970	Coupling cross bar set		1

8. FIXING OF THE PULLING WHEEL



Item	Reference	Description	Observation	Quantity
1	52288049	Support return sprocket		1
2	2273505	Fixe point pin	VL25 - with the axle brake)	1
3	832024	AZ Washer	PRC2-CPR3 - AZ 10Zn	2
4	830908	Screw	M10x35	2
5	52292479	Return wheel shaft		1
6	2274015	Return wheel assembly		1
7	52288050	Bush		2
9	832021	Washer		1
-	52294009	Chain guide subassy for low headroom trolley		1