

Spare parts catalogue for "VX02 – Since June 2019"

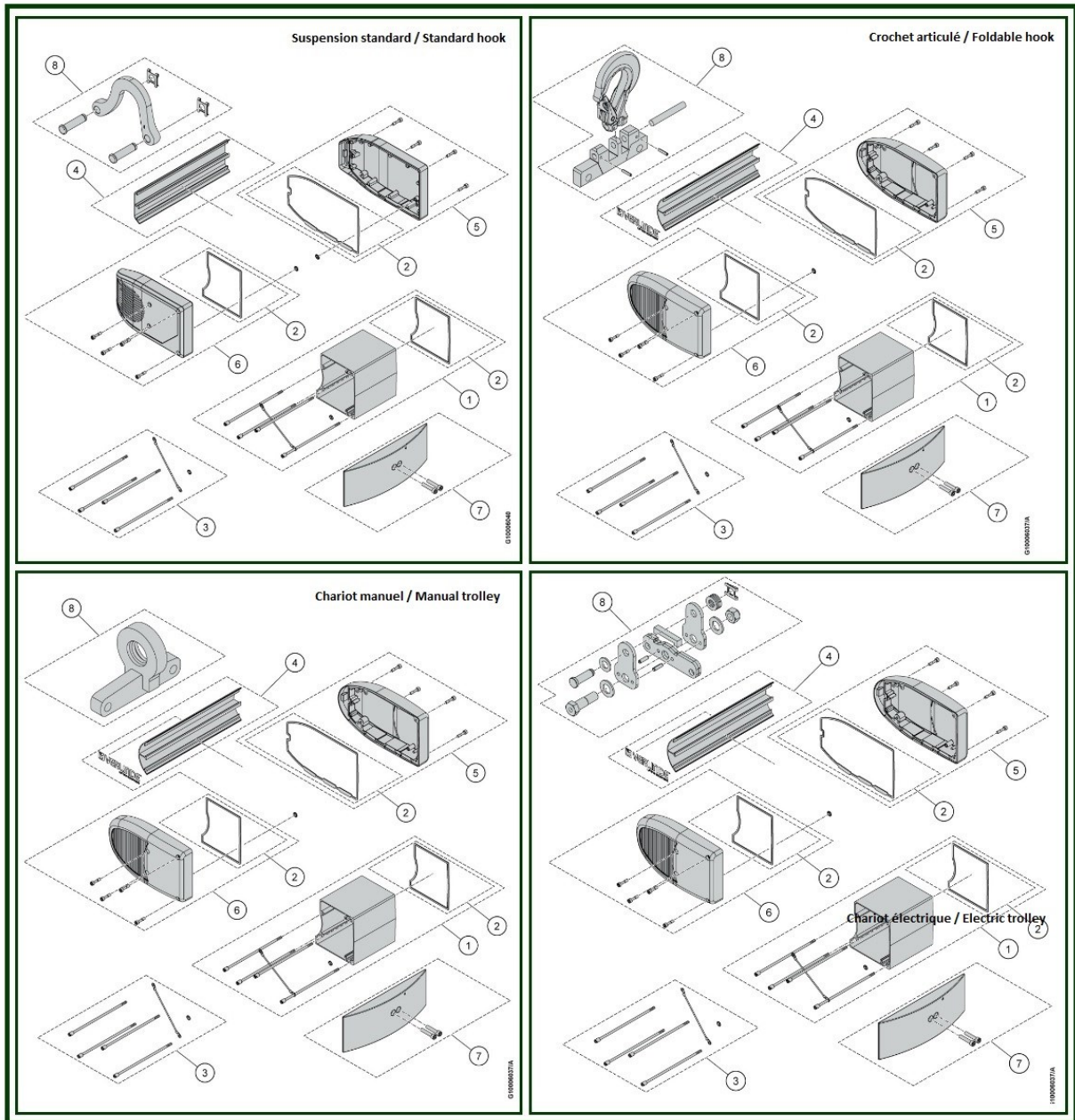
To avoid errors, when ordering please specify:

- Complete type of hoist
- Date of manufacture and serial number
- Spare part code
- Spare part designation
- Additional information

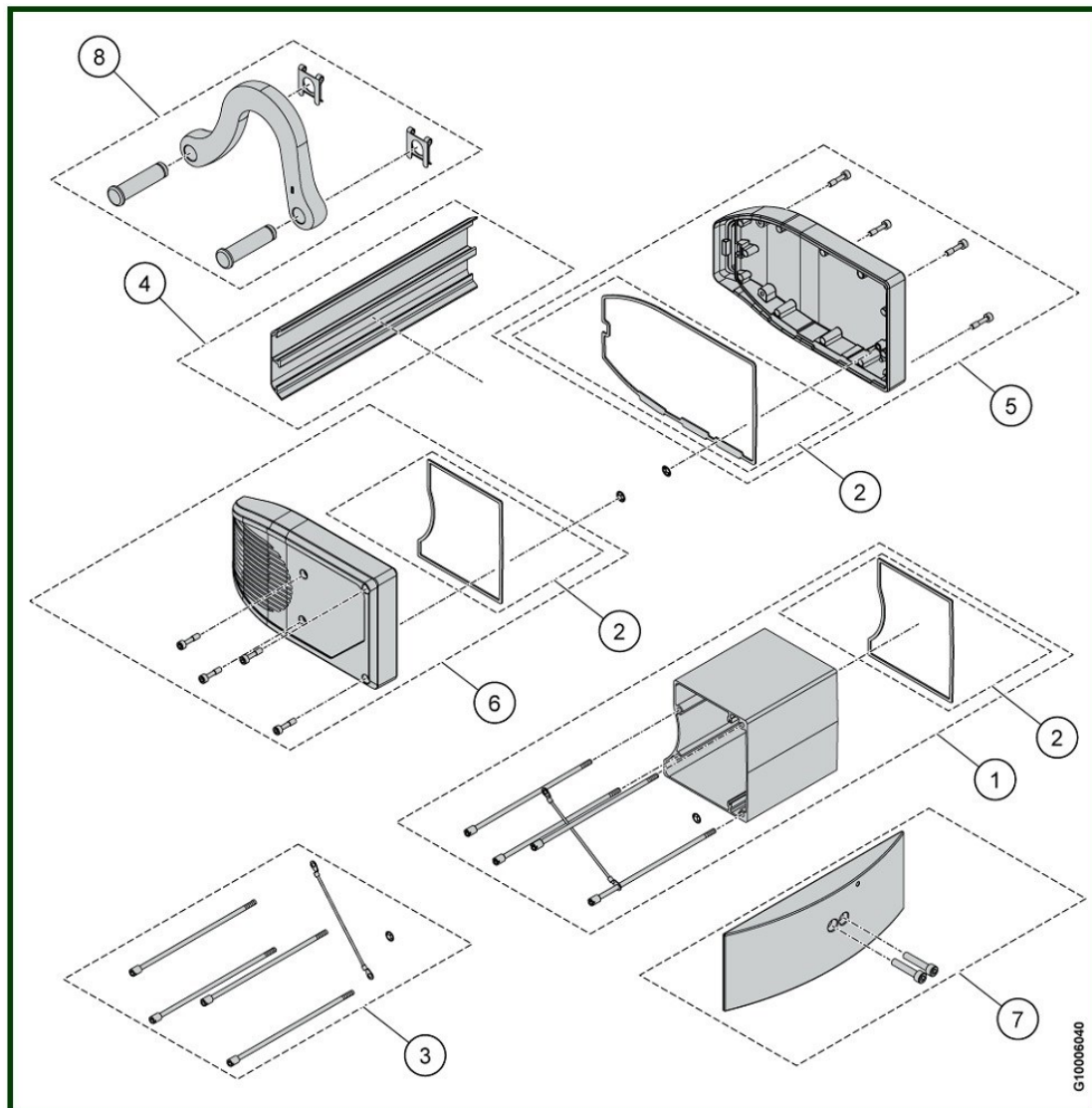


1. FRAME.....	3
1.1. Standard suspension.....	4
1.2. Foldable hook.....	5
1.3. Manual trolley.....	6
1.4. Electric trolley	7
2. CHAIN GUIDE	8
2.1. Standard hook - 1 fall.....	9
2.2. Standard hook - 2 falls	11
2.3. Automatic hook - 1 fall.....	13
2.4. Automatic hook - 2 falls	15
3. GEAR	17
3.1. Gear – Options	19
4. MOTOR.....	20
5. ELECTRICAL PARTS	22
5.1. Solo equipment - Standard	22
6. PUSH BUTTONS.....	26
6.1. 2 buttons.....	27
6.2. 4 buttons.....	29
6.3. 6 Push buttons	31
6.4. Push buttons – From September 2014	32
7. CHARIOT CHVX10	35

1. FRAME

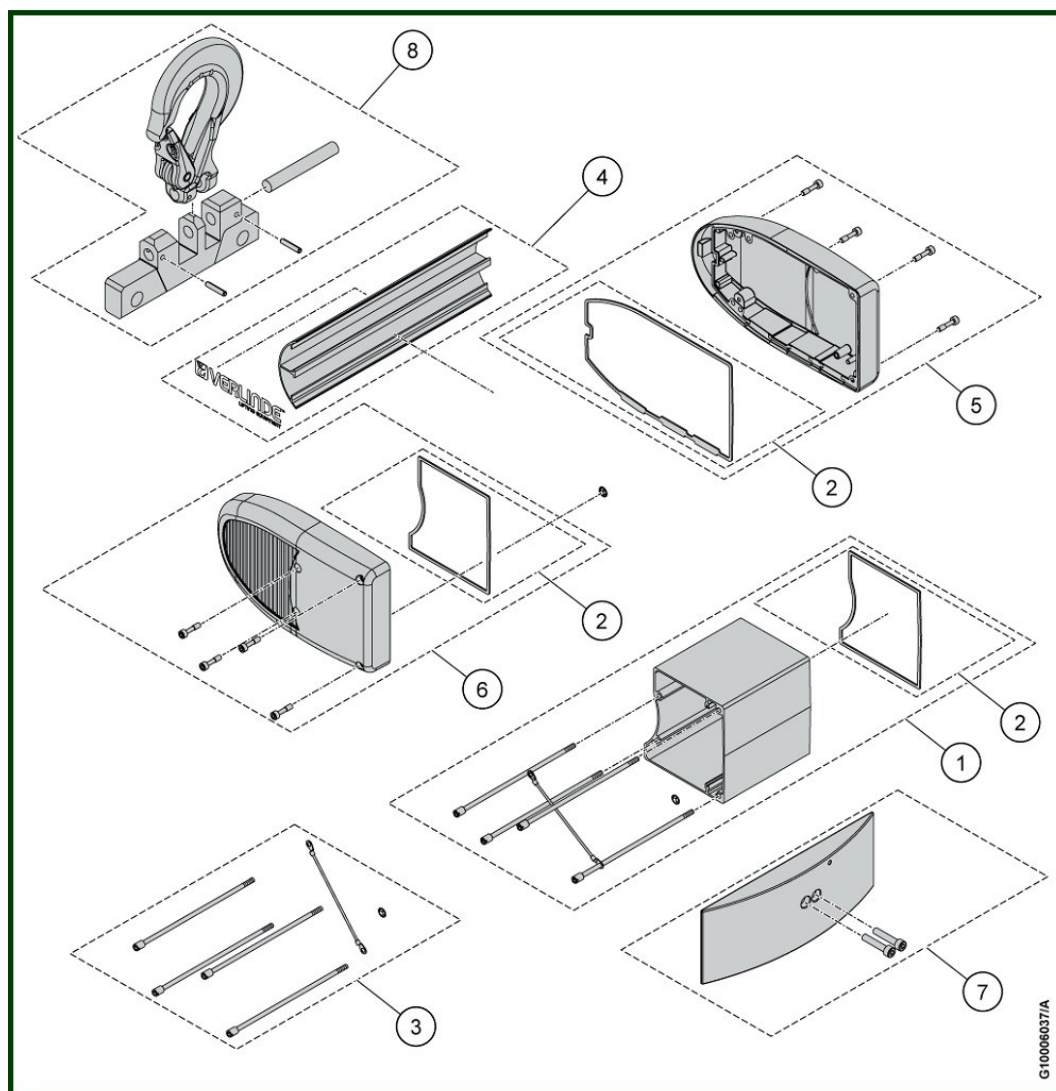


1.1. Standard suspension



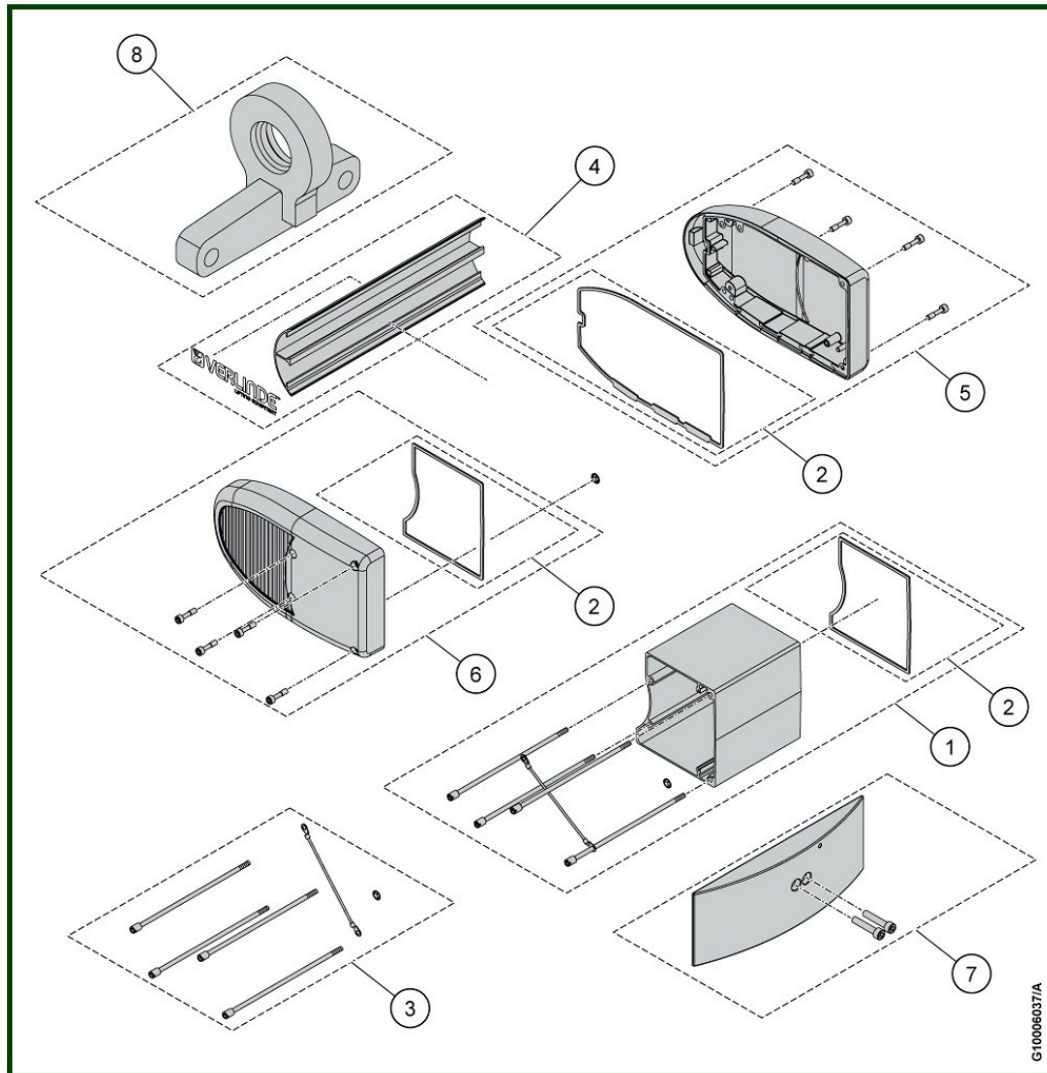
Element	Reference	Description	Observation	Quantity
1	VT0012588	Housing module		1
2	VT0012589	Sealing set		1
3	VT0012590	Screw set		1
4	VT0012956	Cover set - Front side	VERLINDE	1
4	VT0013949	Cover set - Front side	2 brakes extension	1
5	VT0012592	Cover set - Brake side	VERLINDE	1
6	VT0012593	Cover set - Motor side	VERLINDE	1
7	VT0012594	Counterweight		1
8	VT0013901	Upper short suspension	Standard	1
8	VT0012524	Upper long suspension	Standard	1
-	VT0013965	Rain cover		1
	VT0013966	Rain cover	2 brakes extension	1

1.2. Foldable hook



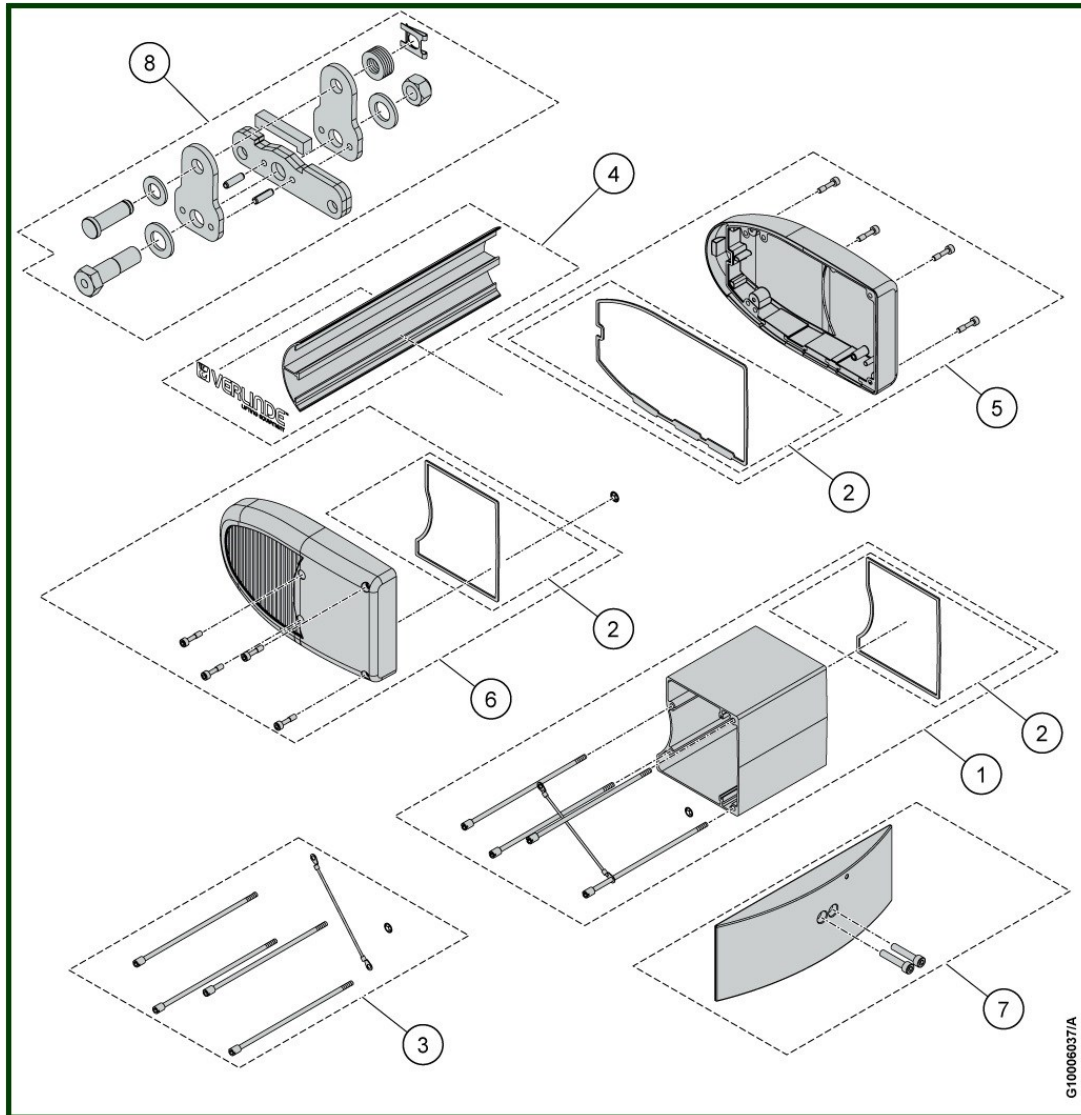
Element	Reference	Description	Observation	Quantity
1	VT0012588	Housing module		1
2	VT0012589	Sealing set		1
3	VT0012590	Screw set		1
4	VT0012956	Cover set - Front side	VERLINDE	1
4	VT0013949	Cover set - Front side	2 brakes extension	1
5	VT0012592	Cover set - Brake side	VERLINDE	1
6	VT0012593	Cover set - Motor side	VERLINDE	1
7	VT0012594	Counterweight		1
8	VT0013784	Upper long suspension	Foldable hook	1
-	VT0013965	Rain cover		1
-	VT0013966	Rain cover	2 brakes extension	1

1.3. Manual trolley



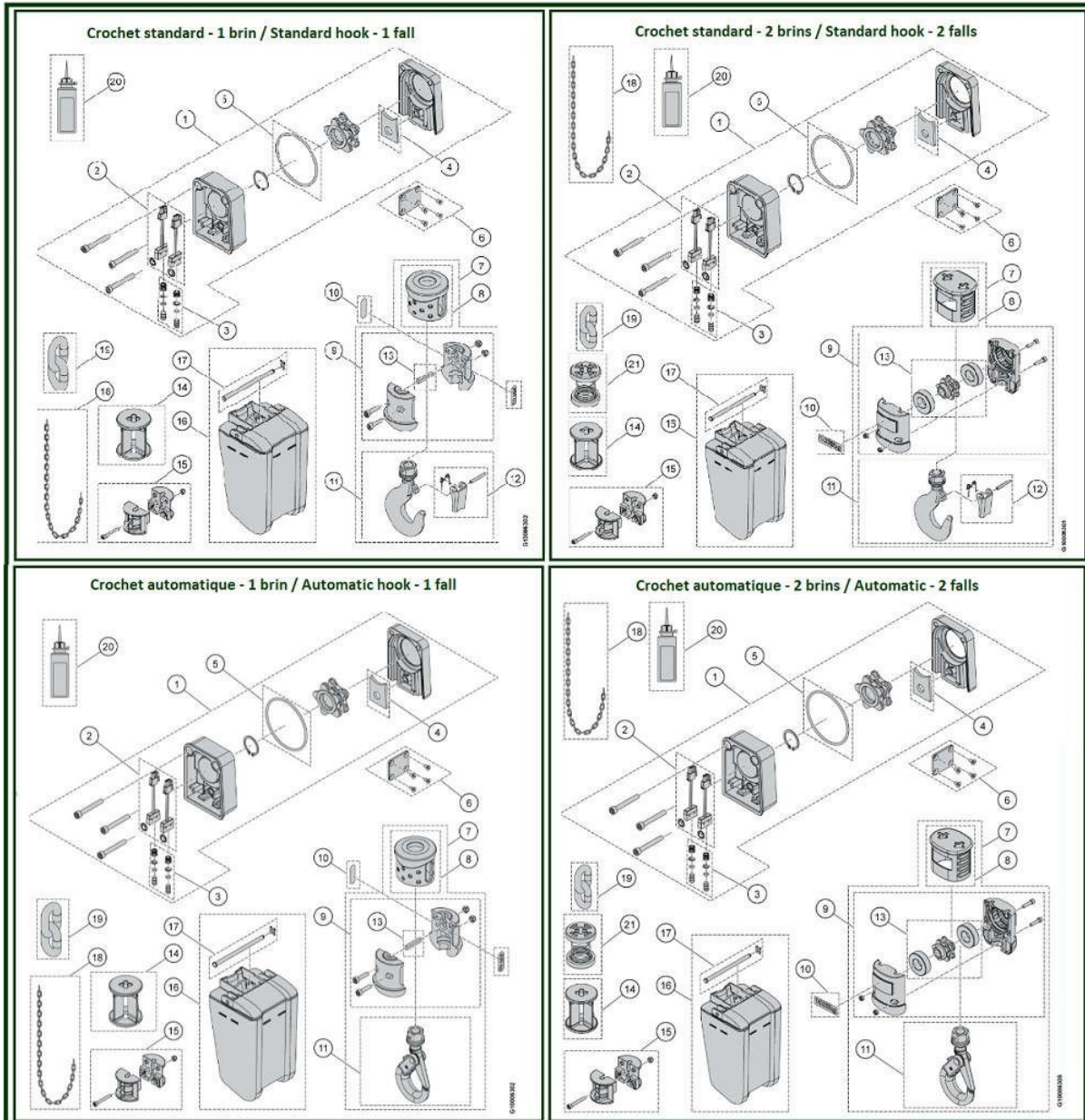
Element	Reference	Description	Observation	Quantity
1	VT0012588	Housing module		1
2	VT0012589	Sealing set		1
3	VT0012590	Screw set		1
4	VT0012956	Cover set - Front side	VERLINDE	1
4	VT0013949	Cover set - Front side	2 brakes extension	1
5	VT0012592	Cover set - Brake side	VERLINDE	1
6	VT0012593	Cover set - Motor side	VERLINDE	1
7	VT0012594	Counterweight		1
8	VT0013785	Upper suspension	Eye rotated	1
-	VT0013965	Rain cover		1
-	VT0013966	Rain cover	2 brakes extension	1

1.4. Electric trolley

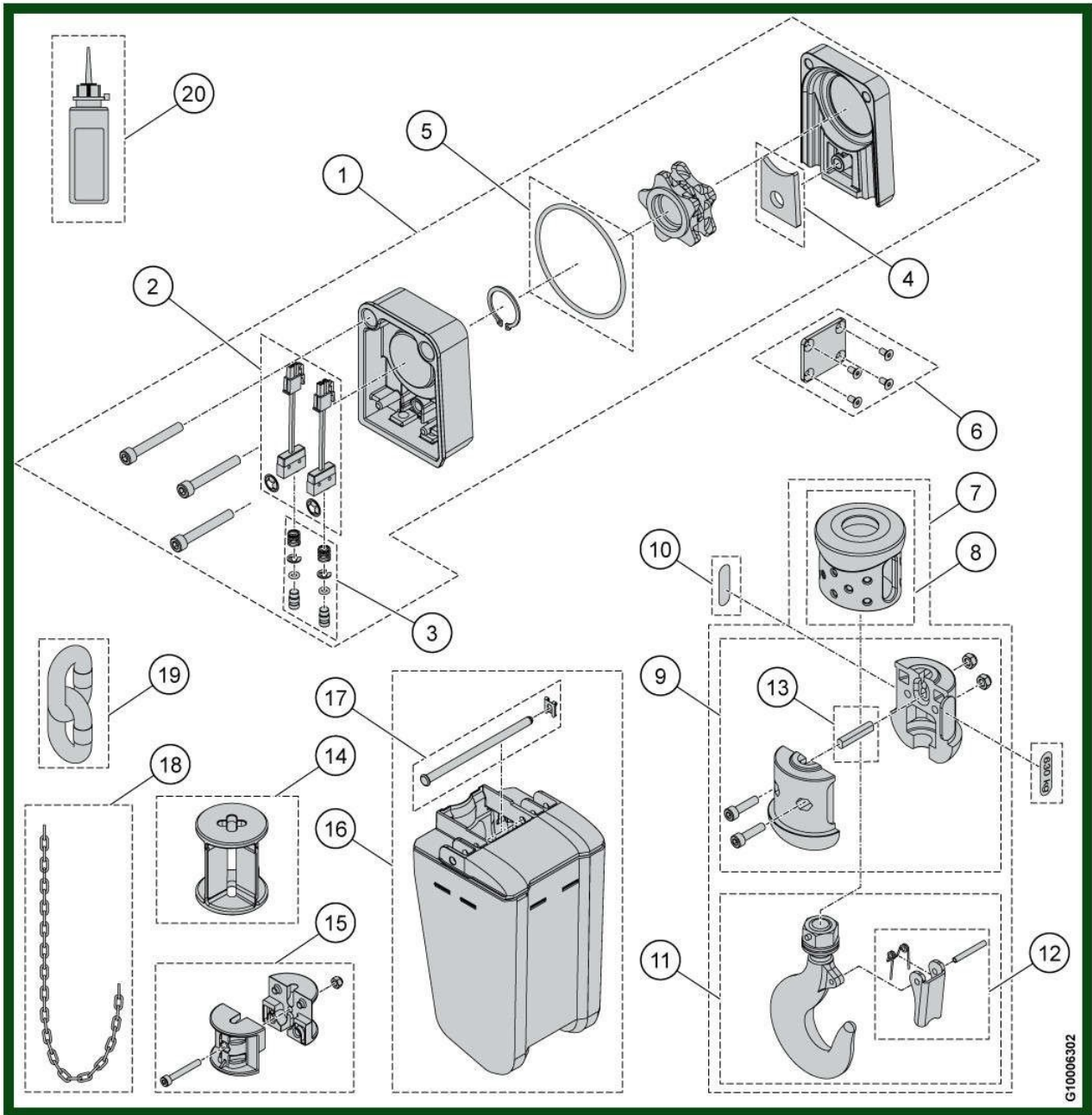


Element	Reference	Description	Observation	Quantity
1	VT0012588	Housing module		1
2	VT0012589	Sealing set		1
3	VT0012590	Screw set		1
4	VT0012956	Cover set - Front side	VERLINDE	1
4	VT0013949	Cover set - Front side	2 brakes extension	1
5	VT0012592	Cover set - Brake side	VERLINDE	1
6	VT0012593	Cover set - Motor side	VERLINDE	1
7	VT0012594	Counterweight		1
8	VT0013782	Upper suspension	C1	1
-	VT0013965	Rain cover		1
-	VT0013966	Rain cover	2 brakes extension	1

2. CHAIN GUIDE



2.1. Standard hook - 1 fall

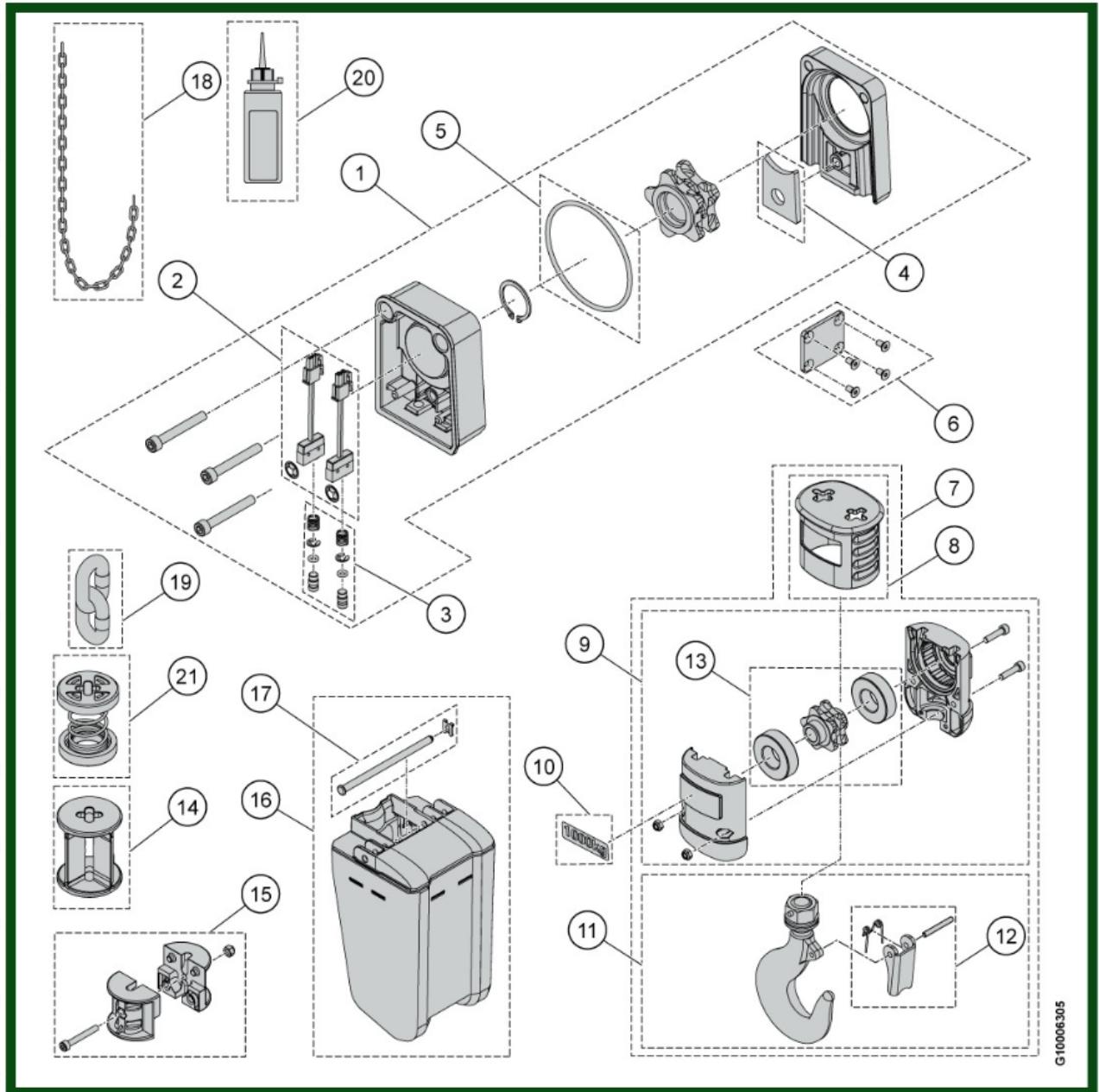


G10006302

Standard hook - 1 fall

Element	Reference	Description	Observation	Quantity
1	VT0012636	Chain guide	Sprocket - 6 pockets	1
2	VT0012526	Switch set		1
3	VT0012637	Activator switch		1
4	VT0012638	Chain ejector		1
5	VT0006095	O-ring		1
6	VT0012639	Cap assembly		1
7	VT0012640	Hook block - 1 fall	Standard crochet	1
8	VT0012642	Rubber chain stop		1
9	VT0012643	Hook component - 1 fall		1
10	VT0012650	Set of 10 load plates - 1 fall	1/4T	1
10	VT0012649	Set of 10 load plates - 1 fall	1/8T	1
10	VT0014090	Set of 10 load plates - 1 fall	63 Kg	1
10	VT0012645	Set of 10 load plates - 1 fall	125 Kg	1
10	VT0012646	Set of 10 load plates - 1 fall	160 Kg	1
10	VT0004932	Set of 10 load plates - 1 fall	250 Kg	1
10	VT0012647	Set of 10 load plates - 1 fall	320 Kg	1
11	VT0004926	Hook - 1 fall		1
12	VT0004905	Safety latch		1
13	VT0012654	Pin		1
14	VT0012656	Activator switch		1
15	VT0012657	Chain stop	4,1x12,1	1
16	VT0012658	Chain bucket	6 m	1
17	VT0012586	Fixing set		1
18	VT0012659	Chain - 4,1x12,1	Standard T	1
18	VT0013985	Chain - 4,1x12,1	Stainless steel	1
18	VT0012836	Precut chain- 4,1x12,1	3,5 m	1
18	VT0012837	Precut chain- 4,1x12,1	5 m	1
18	VT0012838	Precut chain- 4,1x12,1	10 m	1
19	VT0014141	Chain fitting tool		1
20	VT0006025	Oil can		1

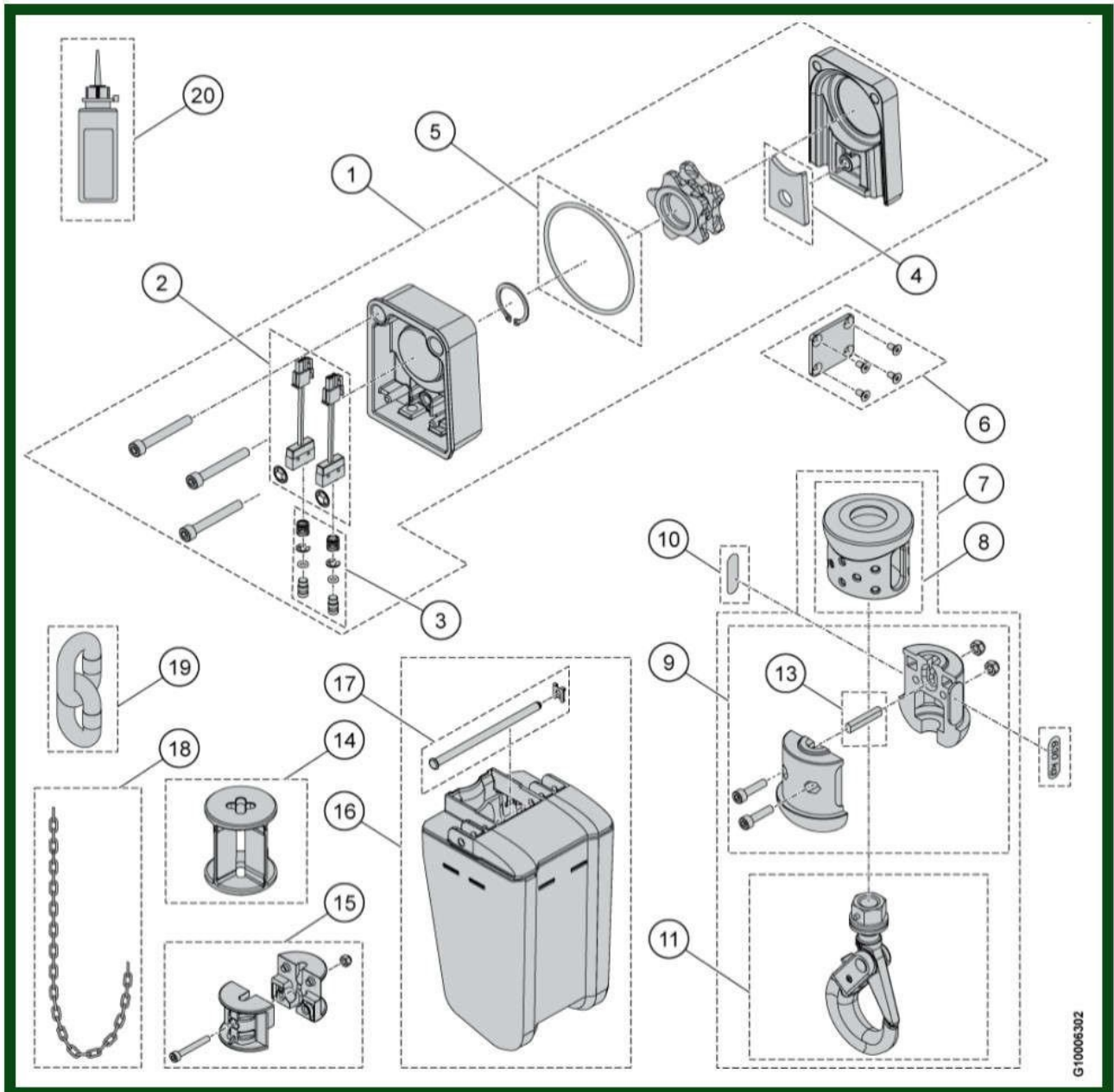
2.2. Standard hook - 2 falls



Standard hook - 2 falls

Element	Reference	Description	Observation	Quantity
1	<u>VT0012636</u>	Chain guide	Sprocket - 6 pockets	1
2	<u>VT0012526</u>	Switch set		1
3	<u>VT0012637</u>	Activator switch		1
4	<u>VT0012638</u>	Chain ejector		1
5	<u>VT0006095</u>	O-ring		1
6	<u>VT0012639</u>	Cap assembly		1
7	<u>VT0012641</u>	Hook block - 2 falls	Standard	1
8	<u>VT0012535</u>	Rubber chain stop - 2 falls		1
9	<u>VT0012644</u>	Hook component - 2 falls		1
10	<u>VT0009110</u>	Set of 10 load plates 2 falls	1/2T	1
10	<u>VT0014081</u>	Set of 10 load plates 2 falls	500 Kg	1
11	<u>VT0004975</u>	Hook - 2 falls		1
12	<u>VT0004905</u>	Safety latch		1
13	<u>VT0012655</u>	Sprocket		1
14	<u>VT0012656</u>	Activator switch		1
15	<u>VT0012657</u>	Chain stop	4,1x12,1	1
16	<u>VT0012658</u>	Chain bucket	6 m	1
17	<u>VT0012586</u>	Fixing set		1
18	<u>VT0012659</u>	Chain- 4,1x12,1	Standard T	1
18	<u>VT0013985</u>	Chain- 4,1x12,1	Stainless steel	1
18	<u>VT0012836</u>	Precut chain - 4,1x12,1	3,5 m	1
18	<u>VT0012837</u>	Precut chain - 4,1x12,1	5 m	1
18	<u>VT0012838</u>	Precut chain - 4,1x12,1	10 m	1
20	<u>VT0006025</u>	Oil can		1
21	<u>VT0009186</u>	Activator switch	2 falls	1

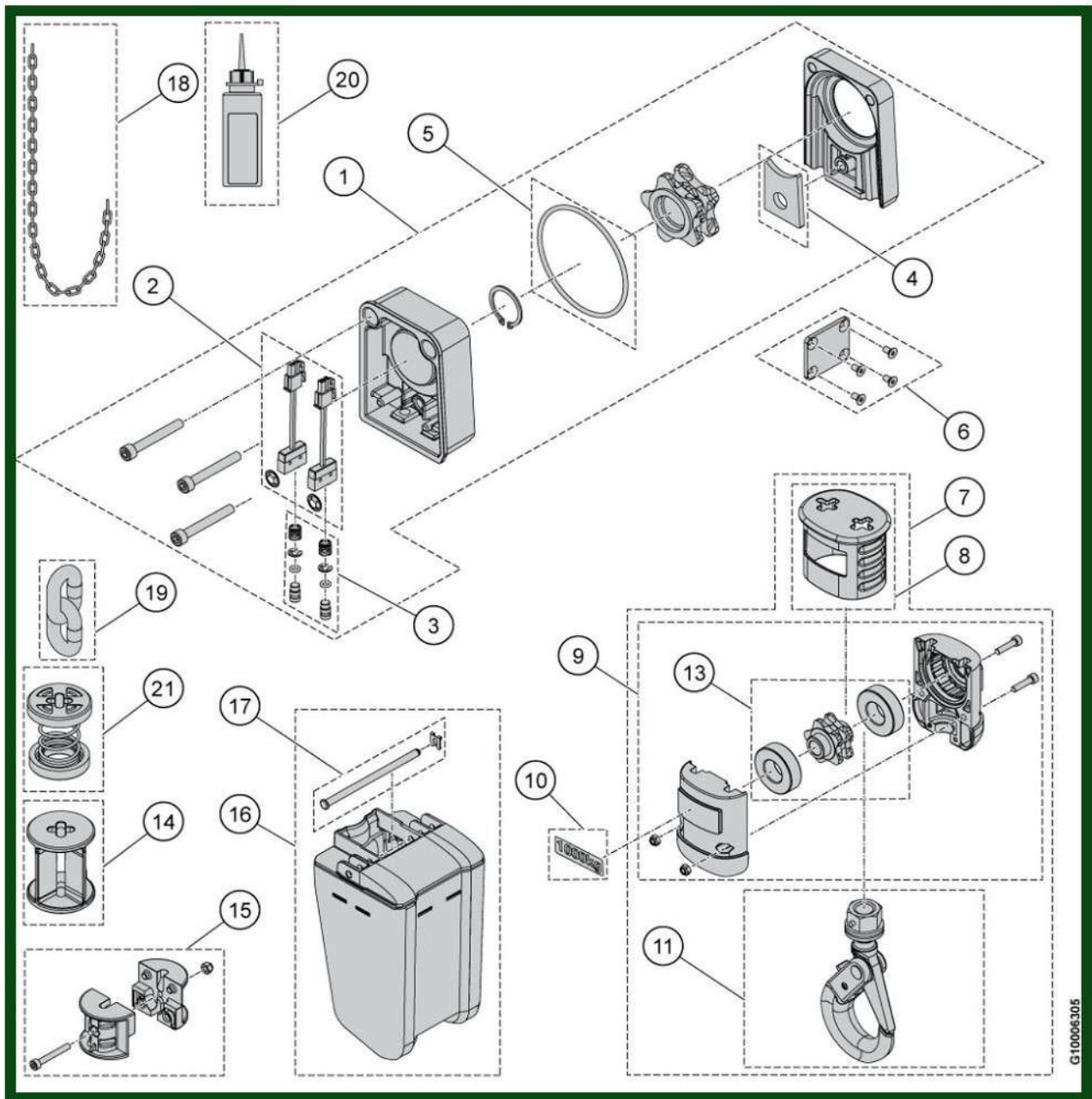
2.3. Automatic hook - 1 fall



Automatic hook – 1 fall

Element	Reference	Description	Observation	Quantity
1	VT0012636	Chain guide	Sprocket - 6 pockets	1
2	VT0012526	Switch set		1
3	VT0012637	Activator switch		1
4	VT0012638	Chain ejector		1
5	VT0006095	O-ring		1
6	VT0012639	Cap assembly		1
7	VT0013967	Hook block - 1 fall	Automatic hook	1
8	VT0012642	Rubber chain stop		1
9	VT0012643	Hook component - 1 fall		1
10	VT0012650	Set of 10 load plates 1 fall	1/4T	1
10	VT0012649	Set of 10 load plates 1 fall	1/8T	1
10	VT0014090	Set of 10 load plates 1 fall	63 Kg	1
10	VT0012645	Set of 10 load plates 1 fall	125 Kg	1
10	VT0012646	Set of 10 load plates 1 fall	160 Kg	1
10	VT0004932	Set of 10 load plates 1 fall	250 Kg	1
10	VT0012647	Set of 10 load plates 1 fall	320 Kg	1
11	VT0013981	Automatic hook - 1 Brin		1
13	VT0012654	Pin		1
14	VT0012656	Activator switch		1
15	VT0012657	Chain stop	4,1x12,1	1
16	VT0012658	Chain bucket	6 m	1
17	VT0012586	Fixing set		1
18	VT0013985	Chain - 4,1x12,1	Stainless steel	1
18	VT0012659	Chain - 4,1x12,1	Standard T	1
18	VT0012836	Precut chain - 4,1x12,1	3,5 m	1
18	VT0012837	Precut chain - 4,1x12,1	5 m	1
18	VT0012838	Precut chain - 4,1x12,1	10 m	1
20	VT0006025	Oil can		1

2.4. Automatic hook - 2 falls

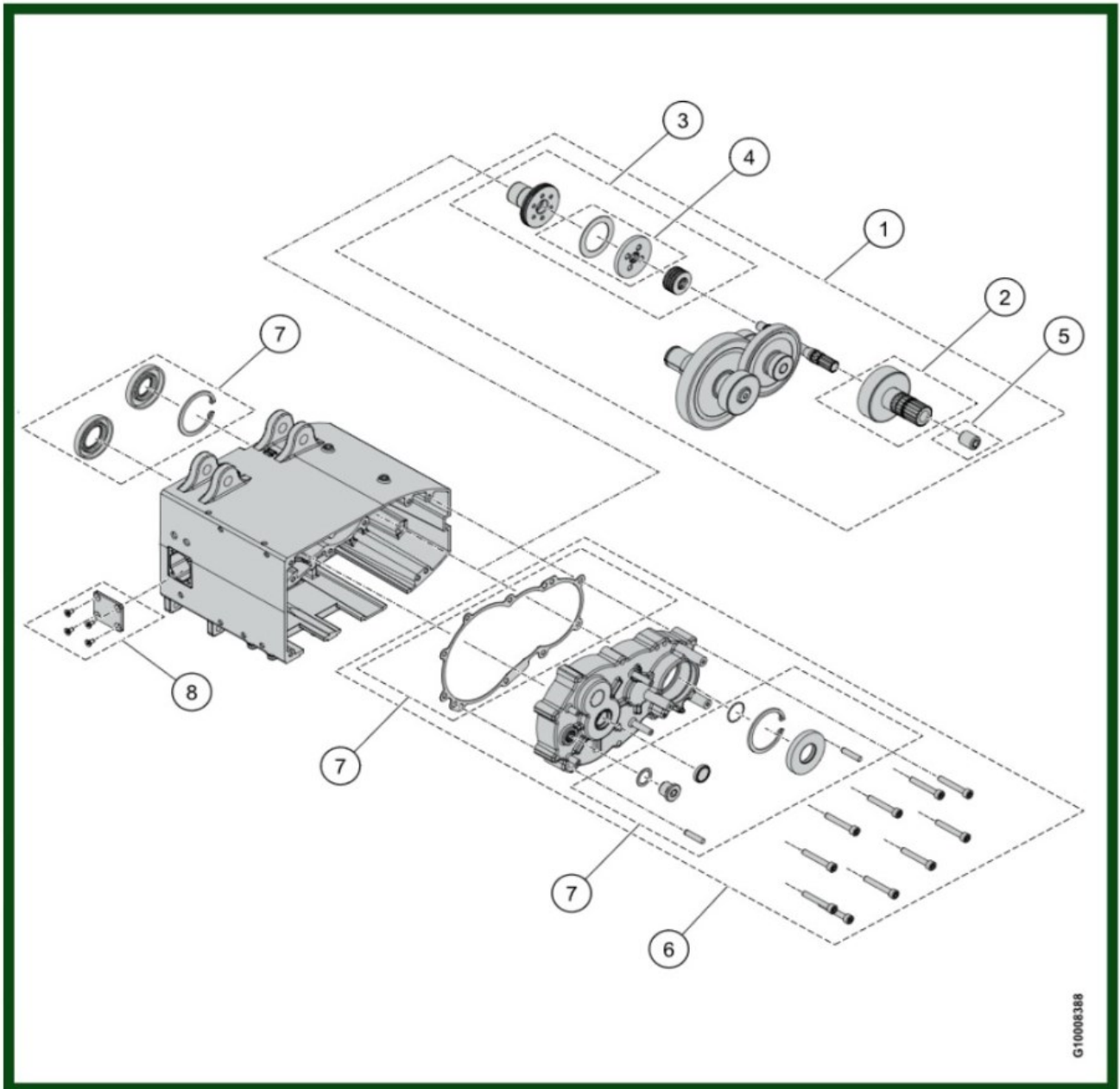


G10006305

Automatic hook – 2 falls

Element	Reference	Description	Observation	Quantity
1	VT0012636	Chain guide	Sprocket - 6 pockets	1
2	VT0012526	Switch set		1
3	VT0012637	Activator switch		1
4	VT0012638	Chain ejector		1
5	VT0006095	O-ring		1
6	VT0012639	Cap assembly		1
7	VT0013968	Hook block - 2 falls	Automatic hook	1
8	VT0012535	Rubber chain stop - 2 falls		1
9	VT0012644	Hook component - 2 falls		1
10	VT0009110	Set of 10 load plates 2 falls	1/2T	1
10	VT0014081	Set of 10 load plates 2 falls	500 Kg	1
11	VT0013982	Automatic hook - 2 falls		1
13	VT0012655	Sprocket		1
14	VT0012656	Activator switch		1
15	VT0012657	Chain stop	4,1x12,1	1
16	VT0012658	Chain bucket	6 m	1
17	VT0012586	Fixing set		1
18	VT0013985	Chain - 4,1x12,1	Stainless steel	1
18	VT0012659	Chain - 4,1x12,1	Standard T	1
18	VT0012836	Precut chain - 4,1x12,1	3,5 m	1
18	VT0012837	Precut chain - 4,1x12,1	5 m	1
18	VT0012838	Precut chain - 4,1x12,1	10 m	1
19	VT0014141	Chain fitting tool		1
20	VT0006025	Oil can		1
21	VT0009186	Activator switch	2 falls	1

3. GEAR



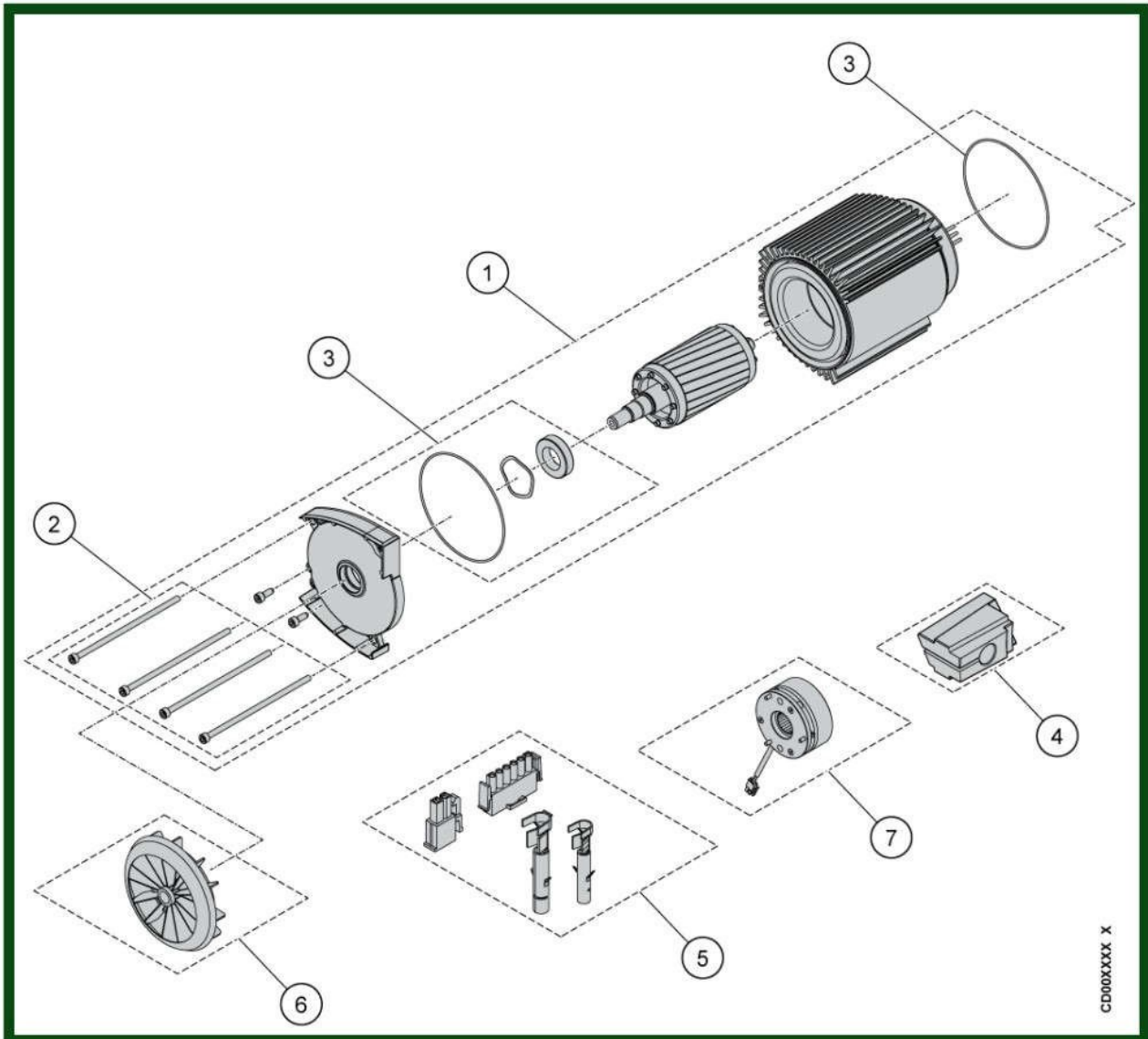
Gear

Element	Reference	Description	Observation	Quantity
1	<u>VT0012660</u>	Gear assembly	6m/min	1
1	<u>VT0012661</u>	Gear assembly	8m/min	1
1	<u>VT0012662</u>	Gear assembly	12m/min	1
1	<u>VT0012663</u>	Gear assembly	16m/min	1
1	<u>VT0012664</u>	Gear assembly	24/min	1
2	<u>VT0012665</u>	Brake hub		1
3	<u>VT0012666</u>	Clutch		1
4	<u>VT0012667</u>	Friction disc		1
5	<u>VT0012563</u>	Screw set		1
6	<u>VT0012669</u>	Gear housing set	GLS	1
6	<u>VT0012668</u>	Gear housing set	Standard	1
7	<u>VT0012671</u>	Sealing set	GLS	1
7	<u>VT0012670</u>	Sealing set	Standard	1
8	<u>VT0012639</u>	Cap assembly		1

3.1. Gear – Options

Element	Reference	Description	Observation	Quantity
1	<u>VT0009358</u>	Frame extension		1
2	<u>VT0014016</u>	Support plate - Gear		1
3	<u>VT0014018</u>	Limit switch + screw		1
3	<u>VT0014019</u>	Limit switch + screw		1
3	<u>VT0014015</u>	Limit switch + screw		1
3	<u>VT0014017</u>	Limit switch + screw		1
4	<u>VT0014010</u>	Support plate + screw		1
7	<u>VT0014023</u>	Complete limit switch + Sealing	2 cams / 180 rotations	1
7	<u>VT0014021</u>	Complete limit switch + Sealing	2 cams / 280 rotations	1
7	<u>VT0014022</u>	Complete limit switch + Sealing	4 cams / 180 rotations	1
7	<u>VT0014020</u>	Complete limit switch + Sealing	4 cams / 280 rotations	1
8	<u>VT0014013</u>	Wiring set	2 cams	1
8	<u>VT0014012</u>	Wiring set	4 cams	1
9	<u>VT0013949</u>	Cover set - Front side	2 brakes extension	1

4. MOTOR

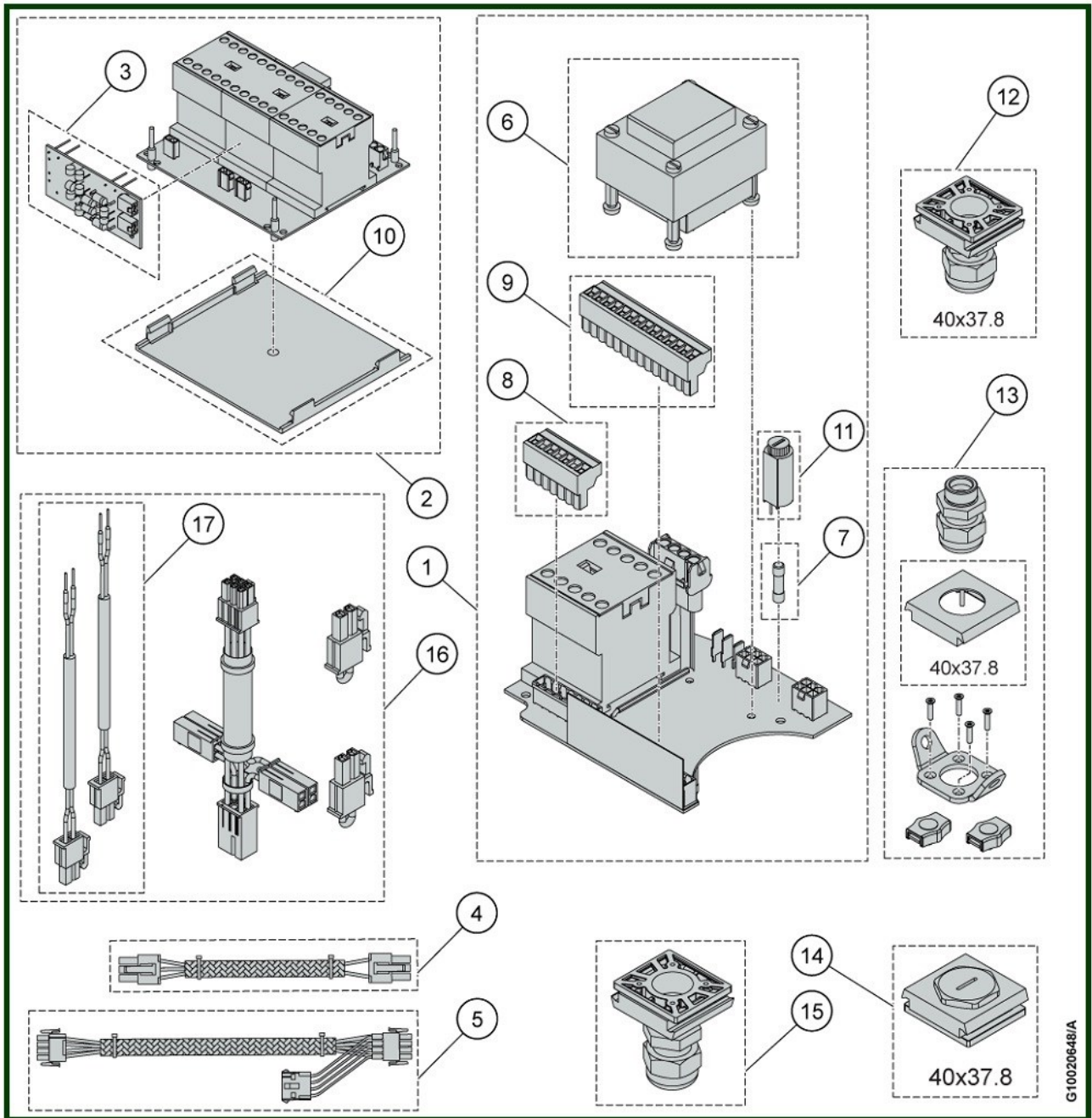


MOTOR

Element	Reference	Description	Observation	Quantity
1	<u>VT0012672</u>	Motor - 2 speeds	380V-415V 50Hz 460V-480V 60Hz 0,36 Kw	1
2	<u>VT0010445</u>	Screw set		1
3	<u>VT0012673</u>	Sealing + bearings set		1
4	<u>VT0012674</u>	Rubber		1
5	<u>VT0012758</u>	Motor connectors		1
6	<u>VT0012675</u>	Fan set		1
7	<u>VT0006260</u>	Single brake		1
7	<u>VT0004662</u>	Single brake		1
7	<u>VT0006354</u>	Single brake		1
7	<u>VT0006353</u>	Single brake		1
7	<u>VT0006185</u>	Double brakes		1
7	<u>VT0006184</u>	Double brakes		1
7	<u>VT0006355</u>	Double brakes		1
7	<u>VT0006356</u>	Double brakes		1

5. ELECTRICAL PARTS

5.1. Solo equipment - Standard



Solo equipment - Standard

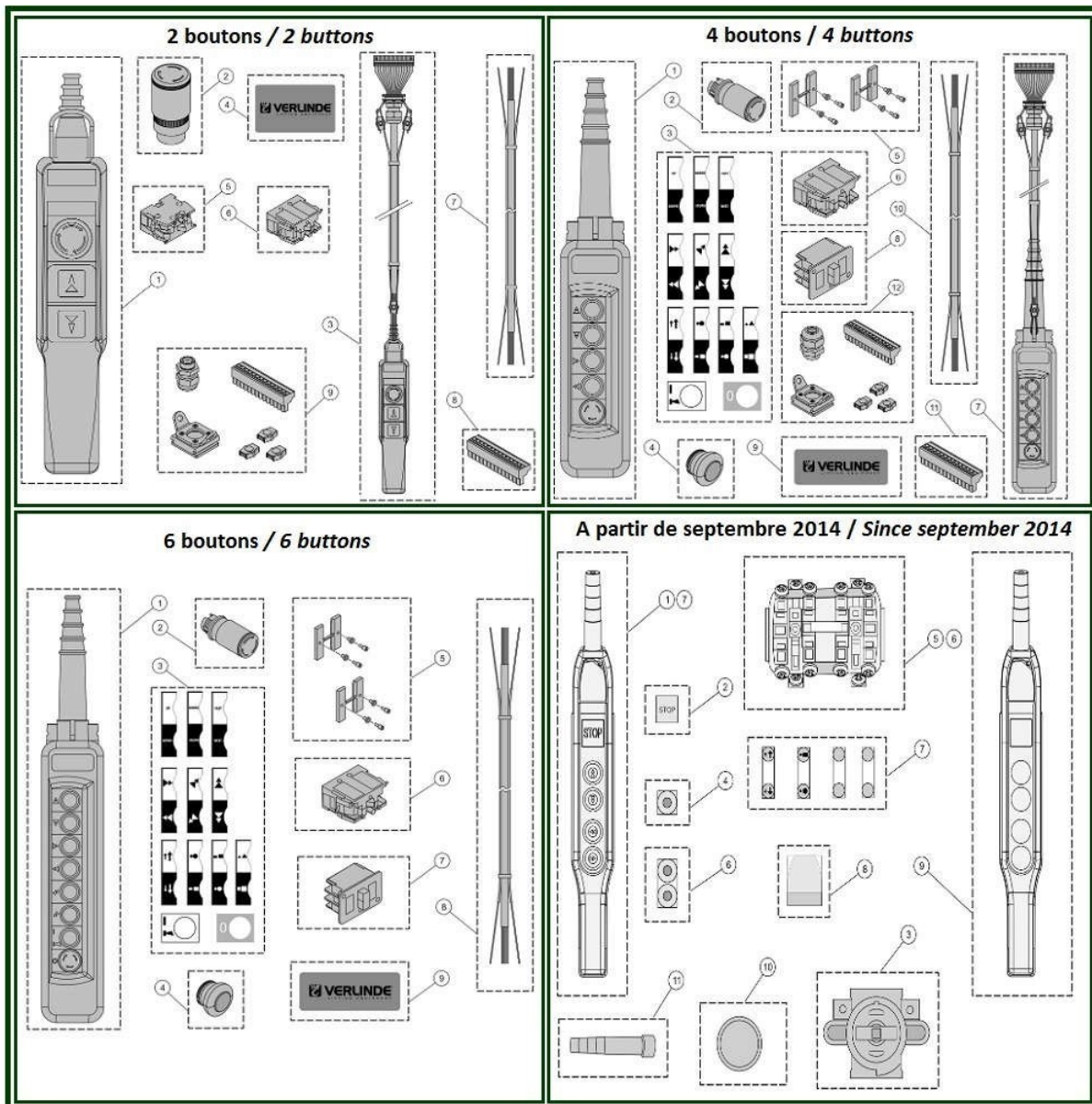
Element	Reference	Description	Observation	Quantity
1	VT0009195	Power supply board - Solo hoist	230V / 24V - 50 Hz	1
1	VT0006430	Power supply board - Solo hoist	230V / 48V - 50 Hz	1
1	VT0006431	Power supply board - Solo hoist	230V / 115V - 50 Hz	1
1	VT0011276	Power supply board - Solo hoist	230V / 230V - 50 Hz	1
1	VT0004944	Power supply board - Solo hoist	380-415V / 24V - 50 Hz	1
1	VT0004942	Power supply board - Solo hoist	380-415V / 48V - 50 Hz	1
1	VT0005312	Power supply board - Solo hoist	380-415V / 115V - 50 Hz	1
1	VT0005313	Power supply board - Solo hoist	380-415V / 230V - 50 Hz	1
1	VT0007409	Power supply board - Solo hoist	460-480V / 24V - 60 Hz	1
1	VT0006432	Power supply board - Solo hoist	460-480V / 48V - 60 Hz	1
1	VT0006433	Power supply board - Solo hoist	460-480V / 48V - 60 Hz	1
1	VT0012571	Power supply board - Solo hoist	460-480V / 230V - 60 Hz	1
1	VT0006434	Power supply board - Solo hoist	460-480V / 48V - 60 Hz	1
1	VT0006446	Power supply board - Solo hoist	500-525V / 115V - 50 Hz	1
1	VT0006435	Power supply board - Solo hoist	575V / 48V - 60 Hz	1
1	VT0006447	Power supply board - Solo hoist	575V / 115V - 60 Hz	1
2	VT0005302	Motor control board - 2 speeds 1 brake	230V-690V / 50-60HZ / 24V	1
2	VT0004945	Motor control board - 2 speeds 1 brake	230V-690V / 50-60HZ / 48V	1
2	VT0005303	Motor control board - 2 speeds 1 brake	230V-690V / 50-60HZ / 110V	1
2	VT0005304	Motor control board - 2 speeds 1 brake	230V-690V / 50-60HZ / 230V	1
2	VT0005305	Motor control board - 2 speeds 2 brakes	230V-690V / 50-60HZ / 24V	1
2	VT0005306	Motor control board - 2 speeds 2 brakes	230V-690V / 50-60HZ / 48V	1
2	VT0005307	Motor control board - 2 speeds 2 brakes	230V-690V / 50-60HZ / 110V	1
2	VT0005308	Motor control board - 2 speeds 2 brakes	230V-690V / 50-60HZ / 230V	1
3	VT0004946	Rectifier - 1 brake	230V-690V	1
3	VT0004947	Rectifier - 2 brakes	230V-690V	1
3	VT0004948	Rectifier reconnectable	208V-690V	1
4	VT0004949	Wire harness / Plug control voltage		1
5	VT0004950	Wire harness / Plug power voltage		1

Solo equipment - Standard

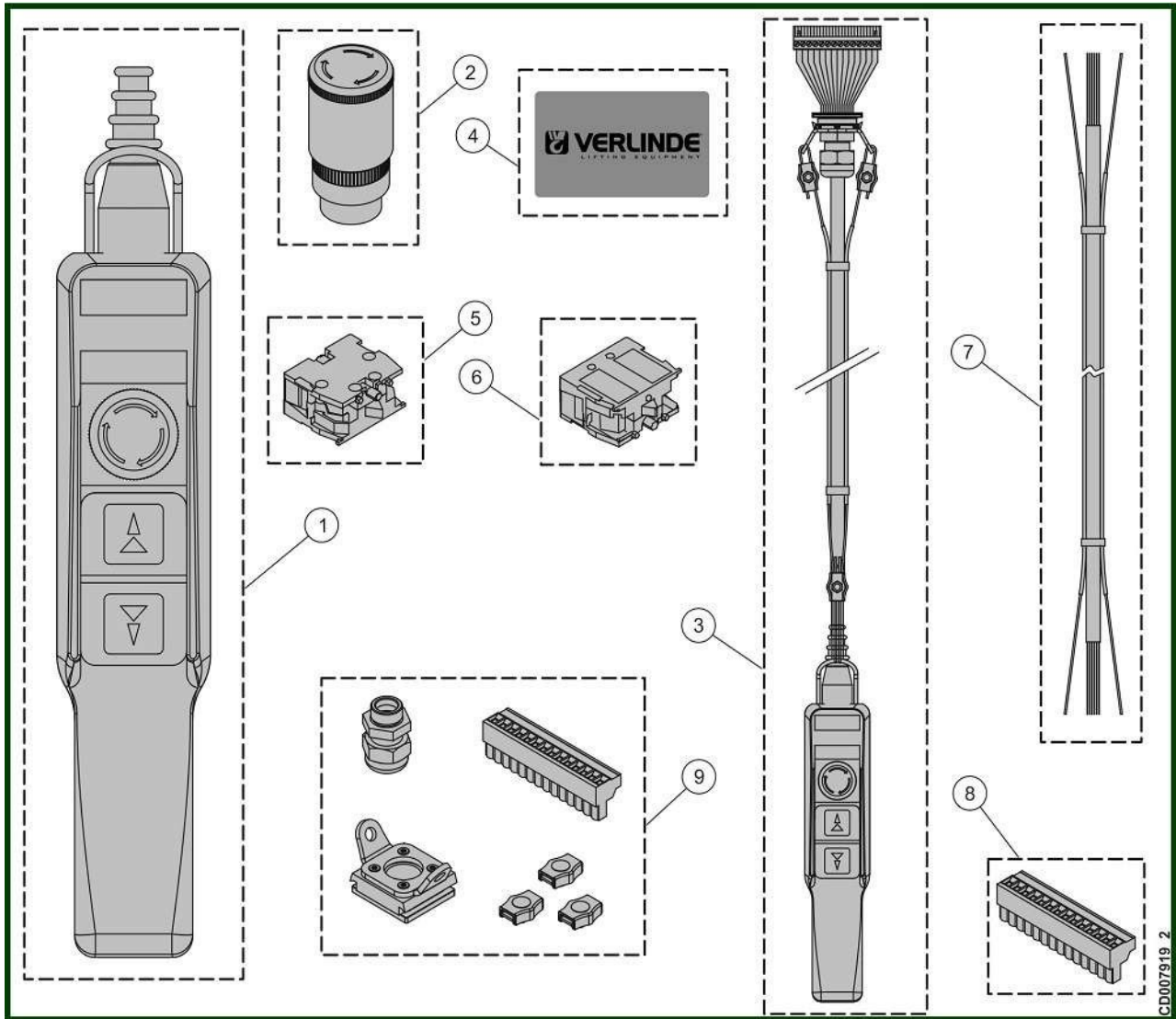
Element	Reference	Description	Observation	Quantity
6	VT0009197	Transformer	230V / 24V	1
6	VT0006325	Transformer	230V / 48V	1
6	VT0006439	Transformer	208V 230V / 115V	1
6	VT0009198	Transformer	230V / 230V	1
6	VT0004952	Transformer	380-415V / 24V	1
6	VT0004953	Transformer	380-415V / 48V	1
6	VT0004951	Transformer	380-415V / 115V	1
6	VT0004954	Transformer	380-415V / 230V	1
6	VT0012579	Transformer	460-480V / 24V - 60 Hz	1
6	VT0006437	Transformer	460V / 48V	1
6	VT0012572	Transformer	500-525V / 24V	1
6	VT0006436	Transformer	500V / 48V	1
6	VT0012573	Transformer	500-525V / 115V	1
6	VT0012574	Transformer	500-525V / 230V	1
6	VT0012580	Transformer	575V / 24V	1
6	VT0006438	Transformer	575V / 48V	1
6	VT0008540	Transformer	575V / 115V	1
6	VT0012581	Transformer	575V / 230V	1
6	VT0012575	Transformer	690V / 24V	1
6	VT0012576	Transformer	690V / 48V	1
6	VT0012577	Transformer	690V / 115V	1
6	VT0012578	Transformer	690V / 230V	1
7	VT0007706	Set of 10 fuses	24V	1
7	VT0007305	Set of 10 fuses	48V	1
7	VT0006194	Set of 10 fuses	115V	1
7	VT0008541	Set of 10 fuses	230V	1
8	VT0005107	Wire harness / Plug power voltage	4P	1
9	VT0005108	Power supply connector	14P	1
10	VT0006441	Insulation plate		1
11	VT0006191	Fuse base		1
12	VT0006393	Cable gland set Square cable entry	Power supply ISO 20	1
13	VT0006508	Cable gland set Rectangular cable entry	Power supply - Only VX2 ISO 20	1
14	VT0005090	Cable gland set Square cable entry	Square cable entry	1

15	<u>VT0006089</u>	End cap Square cable entry		1
16	<u>VT0006326</u>	Cable gland set Square cable entry	Flat cable - 4G2.5	1
17	<u>VT0008551</u>	Set of GLS connection		1
18	<u>VT0008550</u>	GLS cable	600mm - 24-230V 50-60Hz 2 for 2 Cames or 4 for 4 Cames	1
-	<u>VT0006967</u>	Time counter		1

6. PUSH BUTTONS



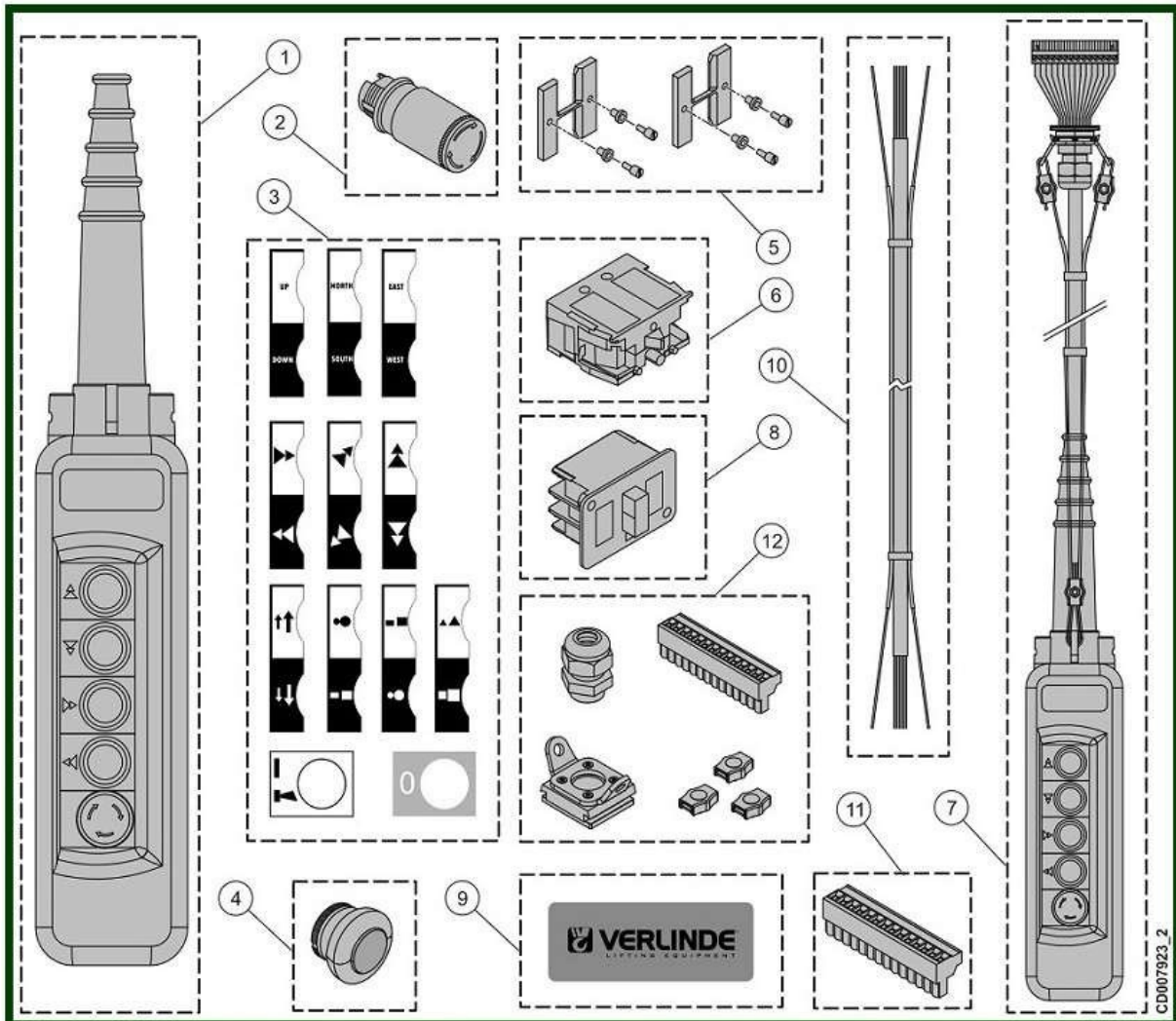
6.1. 2 buttons



2 buttons

Element	Reference	Description	Observation	Quantity
1	<u>VT0005061</u>	Pendant controller 2HS+ES	Yellow	1
2	<u>VT0006547</u>	Emergency push button		1
3	<u>VT0005612</u>	Pendant with cable 2HS+ES	2,2 m - Yellow- CE	1
3	<u>VT0005613</u>	Pendant with cable 2HS+ES	2,7 m - Yellow- CE	1
3	<u>VT0005614</u>	Pendant with cable 2HS+ES	3,2 m - Yellow- CE	1
3	<u>VT0005615</u>	Pendant with cable 2HS+ES	3,7 m - Yellow- CE	1
3	<u>VT0005616</u>	Pendant with cable 2HS+ES	4,2 m - Yellow- CE	1
3	<u>VT0005617</u>	Pendant with cable 2HS+ES	4,7 m - Yellow- CE	1
3	<u>VT0005618</u>	Pendant with cable 2HS+ES	5,2 m - Yellow- CE	1
3	<u>VT0005619</u>	Pendant with cable 2HS+ES	5,7 m - Yellow- CE	1
4	<u>VT0007837</u>	Sticker of brand	VERLINDE	1
5	<u>VT0005064</u>	Contact block	ZB2-BE101	1
6	<u>VT0005066</u>	Contact block	ZB2-BE 102	1
7	<u>VT0006746</u>	Cable	5x1,5 mm ² - CE	1
8	<u>VT0005108</u>	Control voltage connector	14P	1
9	<u>VT0007583</u>	Pendant plug set		1

6.2. 4 buttons

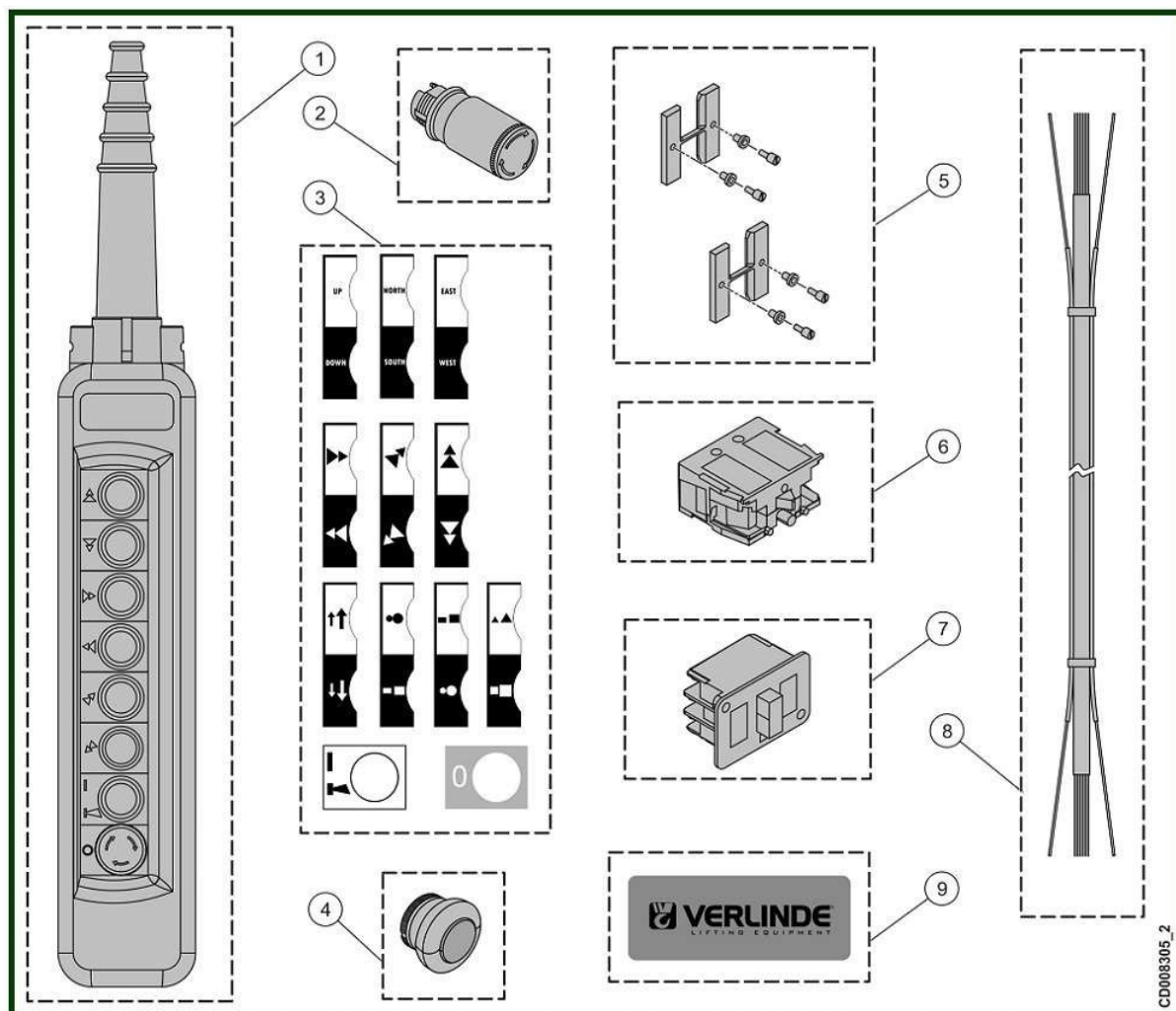


CD007923_2

4 buttons

Element	Reference	Description	Observation	Quantity
1	<u>VT0005055</u>	Pendant controller 2HS+2TS+ES	Yellow	1
2	<u>VT0006548</u>	Emergency push button		1
3	<u>VT0007882</u>	Set of direction symbols		1
4	<u>VT0005063</u>	Push button		1
5	<u>VT0005072</u>	Mechanical interlock		2
6	<u>VT0005066</u>	Block contact	ZB2-BE 102	1
7	<u>VT0006056</u>	Pendant with cable 2HS+2TS+ES	2,7 m - Yellow	1
7	<u>VT0006058</u>	Pendant with cable 2HS+2TS+ES	3,7 m - Yellow	1
7	<u>VT0006057</u>	Pendant with cable 2HS+2TS+ES	3,2 m - Yellow	1
7	<u>VT0006059</u>	Pendant with cable 2HS+2TS+ES	4,2 m - Yellow	1
7	<u>VT0006060</u>	Pendant with cable 2HS+2TS+ES	4,7 m - Yellow	1
7	<u>VT0006061</u>	Pendant with cable 2HS+2TS+ES	5,2 m - Yellow	1
7	<u>VT0006062</u>	Pendant with cable 2HS+2TS+ES	5,7 m - Yellow	1
7	<u>VT0006055</u>	Pendant with cable 2HS+2TS+ES	2,2 m - Yellow	1
8	<u>VT0007879</u>	Contact block	XENG1191	1
9	<u>VT0007880</u>	Sticker of brand	VERLINDE	1
10	<u>VT0006747</u>	Cable	8x1,5mm ²	meter
11	<u>VT0005108</u>	Control voltage connector	14P	1
12	<u>VT0007583</u>	Pendant plug set	ISO	1

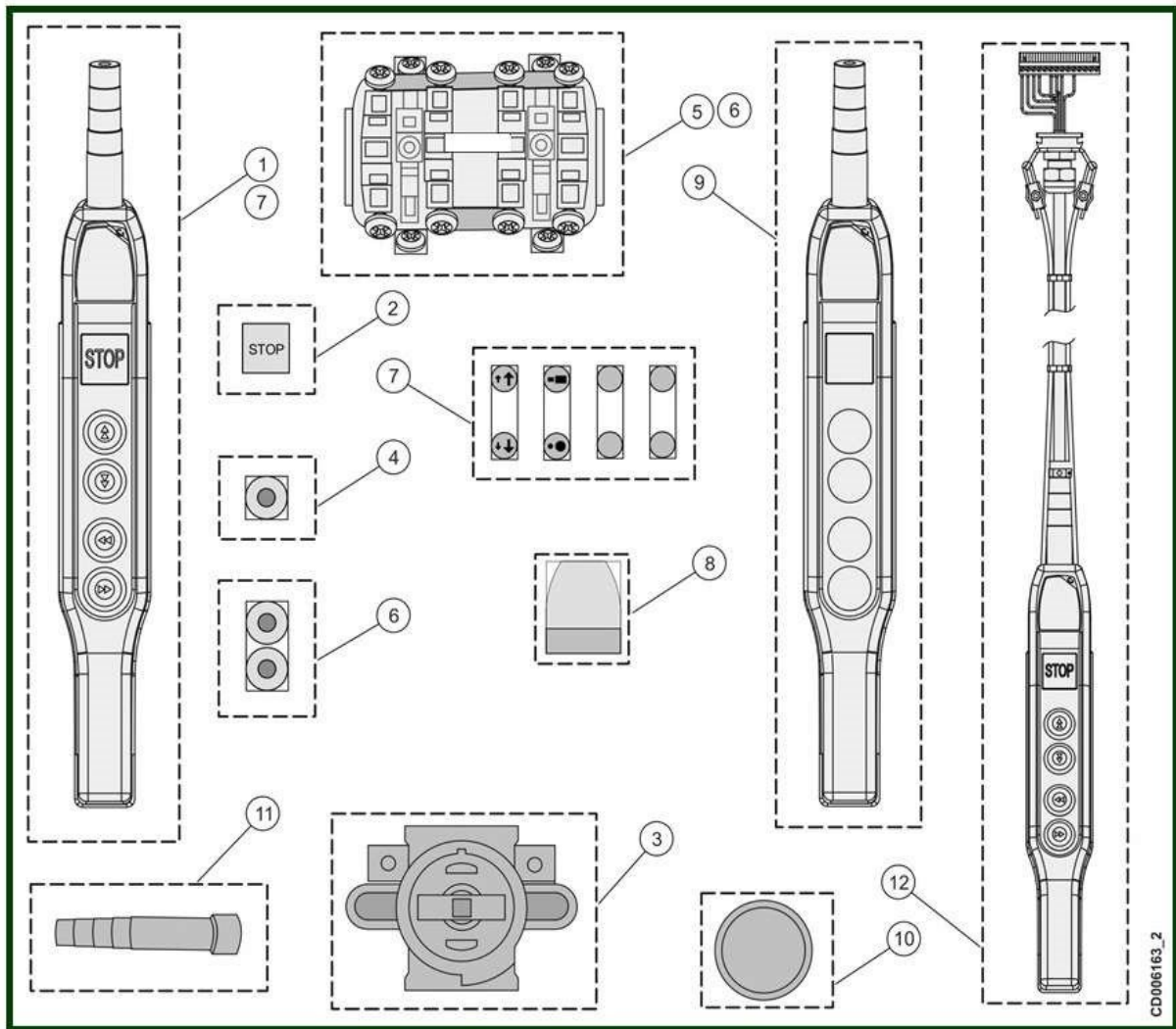
6.3. 6 Push buttons



CD008305_2

Element	Reference	Description	Observation	Quantity
1	VT0005058	Pendant controller 2HS+2TS+2LS+ON-OFF	Yellow	1
2	VT0006548	Emergency push button		1
3	VT0007882	Set of direction symbols		1
4	VT0005063	Push button		1
5	VT0005072	Mechanical interlock		2
6	VT0005066	Contact block	ZB2-BE 102	1
7	VT0007879	Contact block	XENG1191	1
8	VT0008073	Pendant electric cable	16x1.52mm ²	m
8	VT0008074	Pendant electric cable	20x1.5mm ²	m
9	VT0007880	Sticker of brand	VERLINDE	1
-	VT0005108	Control voltage connector	14P	1

6.4. Push buttons – From September 2014

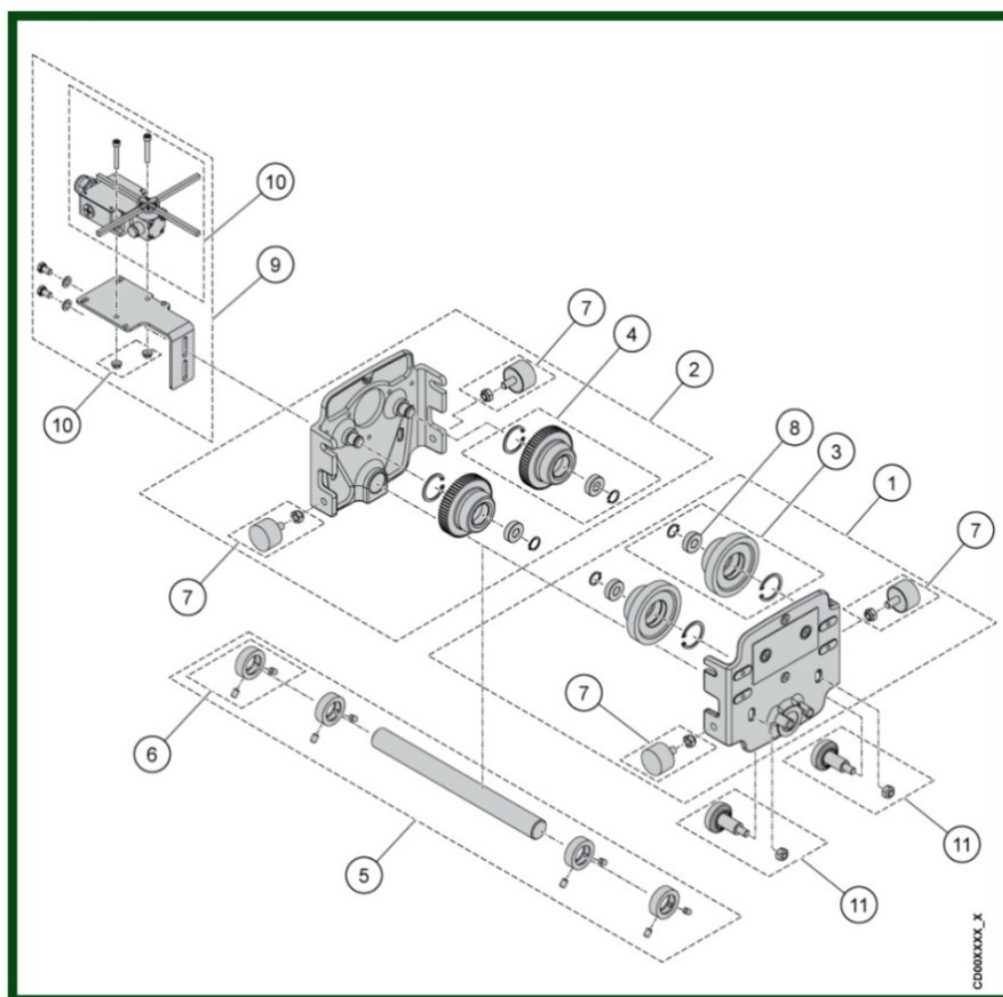


Push buttons – From September 2014

Element	Reference	Description	Observation	Quantity
1	<u>VT0006493</u>	Push buttons box - 2HS+ES	Yellow - 2 Push buttons	1
1	<u>VT0006495</u>	Push buttons box - 2HS+2TS+ES	Yellow - 4 Push buttons	1
2	<u>VT0006509</u>	Emergency push button		1
3	<u>VT0006510</u>	Emergency stop contact block		1
4	<u>VT0006511</u>	Rubber push button		1
5	<u>VT0006512</u>	Contact block	1 step	1
5	<u>VT0006513</u>	Contact block	2 steps	1
6	<u>VT0006514</u>	Set of 2 push buttons + contact block		1
7	<u>VT0006752</u>	Stickers - Direction symbols	DIN	1
7	<u>VT0006753</u>	Stickers - Direction symbols	FIN-SEN	1
7	<u>VT0006754</u>	Stickers - Direction symbols	ANSI	1
8	<u>VT0006496</u>	Sticker of brand	VERLINDE	1
9	<u>VT0006515</u>	Pendant housing	Yellow- 2 Push buttons	1
9	<u>VT0006518</u>	Pendant housing	Yellow- 4 Push buttons	1
10	<u>VT0006517</u>	Magnet	24mm	1
11	<u>VT0006516</u>	Cable bushing		1
12	<u>VT0006958</u>	Push buttons box + cable + plug 2 HS+ES	2,20 m – Yellow- DIN	1
12	<u>VT0006951</u>	Push buttons box + cable + plug 2 HS+ES	2,70 m – Yellow- DIN	1
12	<u>VT0006952</u>	Push buttons box + cable + plug 2 HS+ES	3,20 m – Yellow- DIN	1
12	<u>VT0006953</u>	Push buttons box + cable + plug 2 HS+ES	3,70 m – Yellow- DIN	1
12	<u>VT0006954</u>	Push buttons box + cable + plug 2 HS+ES	4,20 m – Yellow- DIN	1
12	<u>VT0006955</u>	Push buttons box + cable + plug 2 HS+ES	4,70 m – Yellow- DIN	1
12	<u>VT0006956</u>	Push buttons box + cable + plug 2 HS+ES	5,20 m – Yellow- DIN	1
12	<u>VT0006957</u>	Push buttons box + cable + plug 2 HS+ES	5,70 m – Yellow- DIN	1

Element	Reference	Description	Observation	Quantity
13	<u>VT0006959</u>	Push buttons box + cable + plug 2HS+2TS+ES	2,20 m – Yellow- DIN	1
13	<u>VT0006966</u>	Push buttons box + cable + plug 2HS+2TS+ES	2,70 m – Yellow- DIN	1
13	<u>VT0006960</u>	Push buttons box + cable + plug 2HS+2TS+ES	3,20 m – Yellow- DIN	1
13	<u>VT0006961</u>	Push buttons box + cable + plug 2HS+2TS+ES	3,70 m – Yellow- DIN	1
13	<u>VT0006962</u>	Push buttons box + cable + plug 2HS+2TS+ES	4,20 m – Yellow- DIN	1
13	<u>VT0006963</u>	Push buttons box + cable + plug 2HS+2TS+ES	4,70 m – Yellow- DIN	1
13	<u>VT0006964</u>	Push buttons box + cable + plug 2HS+2TS+ES	5,20 m – Yellow- DIN	1
13	<u>VT0006965</u>	Push buttons box + cable + plug 2HS+2TS+ES	5,70 m – Yellow- DIN	1

7. CHARIOT CHVX10



Element	Reference	Description	Observation	Quantity
1	VT0012816	Side plate assembly idle		1
2	VT0012817	Side plate assembly driving		1
3	VT0007061	Set of travel wheels - idle		1
4	VT0007063	Set of travel wheels - motor		1
5	VT0012818	Cross bar	200 mm	1
5	VT0012819	Cross bar	310 mm	1
6	VT0012820	Setting ring		1
7	VT0012821	Buffer		1
8	VT0012822	Bearing		1
9	VT0012824	Limit switch + Fixing plate		1
10	VT0012825	Limit switch		1
11	VT0012826	Support roller		1
-	VT0009508	Limit switch activator		1
-	VT0013881	Screw set		1