

Spare parts catalog for "VX05 – Since June 2019"

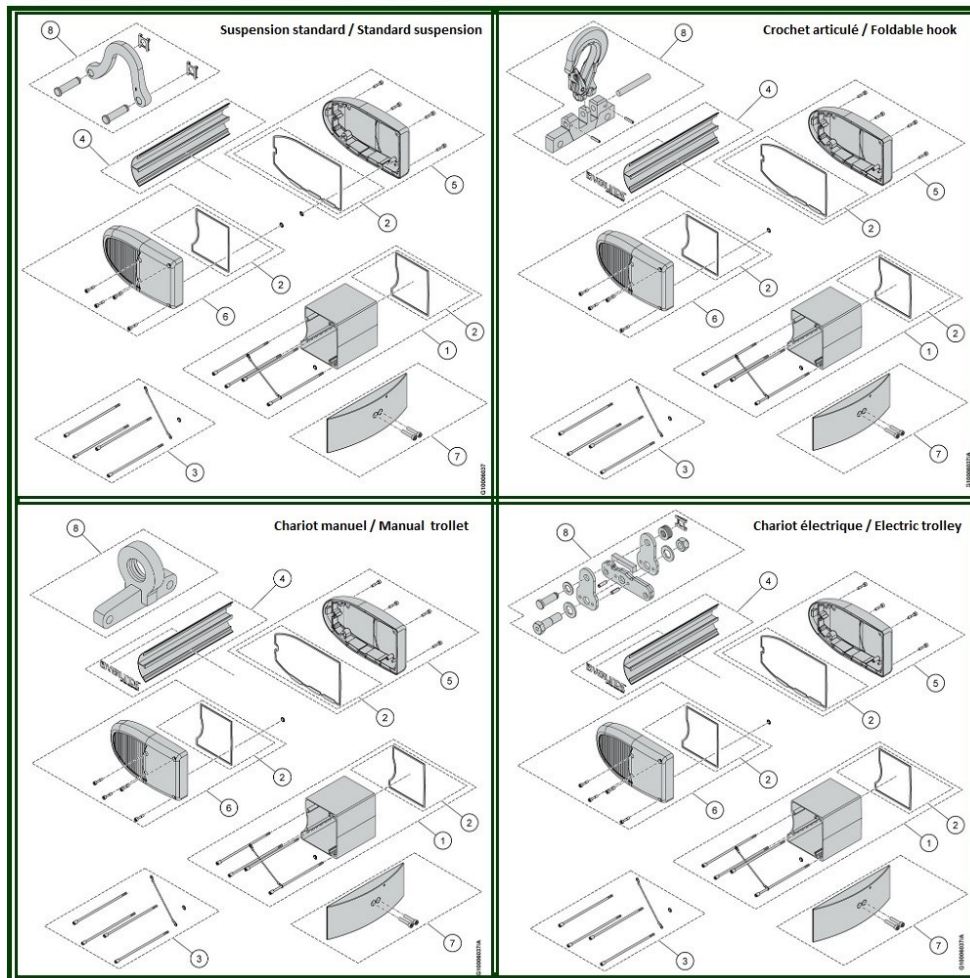
To avoid errors, when ordering please specify:

- Complete type of hoist
- Date of manufacture and serial number
- Spare part code
- Spare part designation
- Additional information

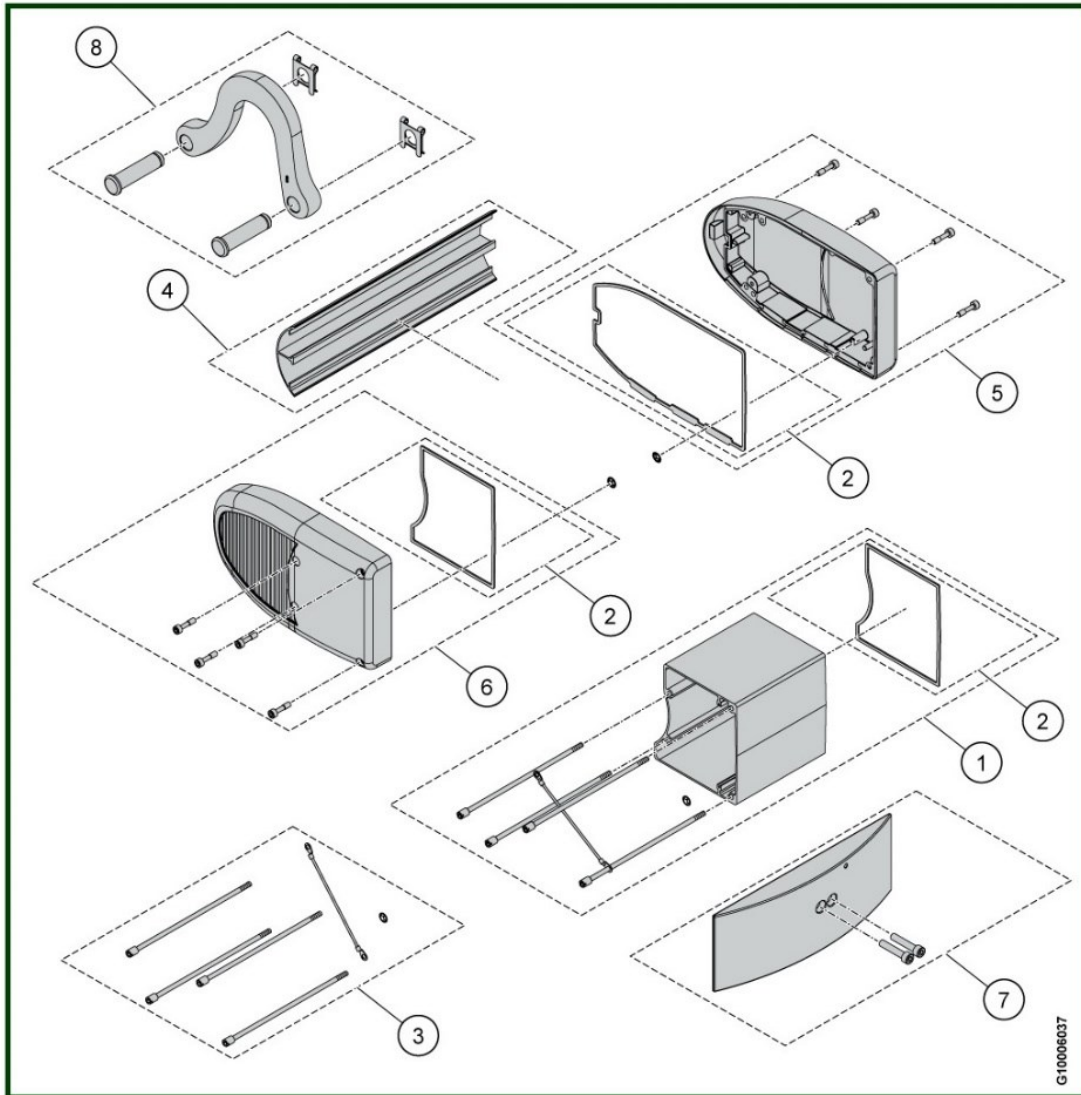


1. FRAME	3
1.1. Suspension standard	4
1.2. Foldable hook	5
1.3. Manual trolley	6
1.4. Electric trolley	7
2. CHAIN GUIDE	8
2.1. Standard hook - 1 fall	9
2.2. Standard hook - 2 falls	11
2.3. Automatic hook - 1 fall	13
2.4. Automatic hook - 2 falls	15
3. GEAR	17
3.1. Limit switch - Options	18
4. MOTOR	19
5. ELECTRICAL PARTS	21
5.1. Solo equipment - Standard	21
6. PUSH BUTTONS	25
6.1. 2 buttons	26
6.2. 4 buttons	28
6.3. 6 buttons	30
6.4. Push buttons - From September 2014	31
7. TROLLEY	34
7.1. CHVX10 trolley	35
7.2. CHVX32 trolley	36
8. TWO SPEEDS TMU	37

1. FRAME

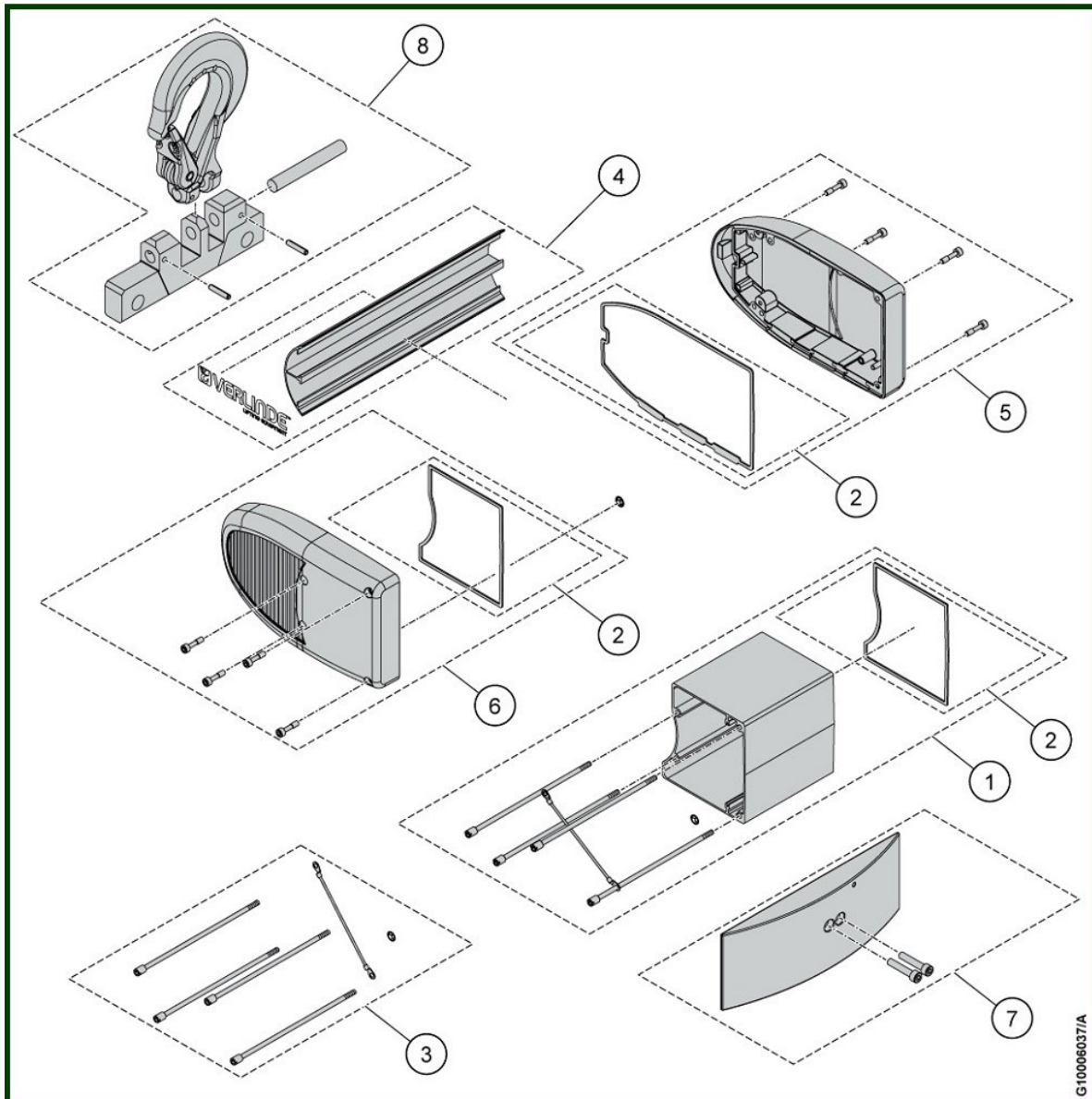


1.1. Suspension standard



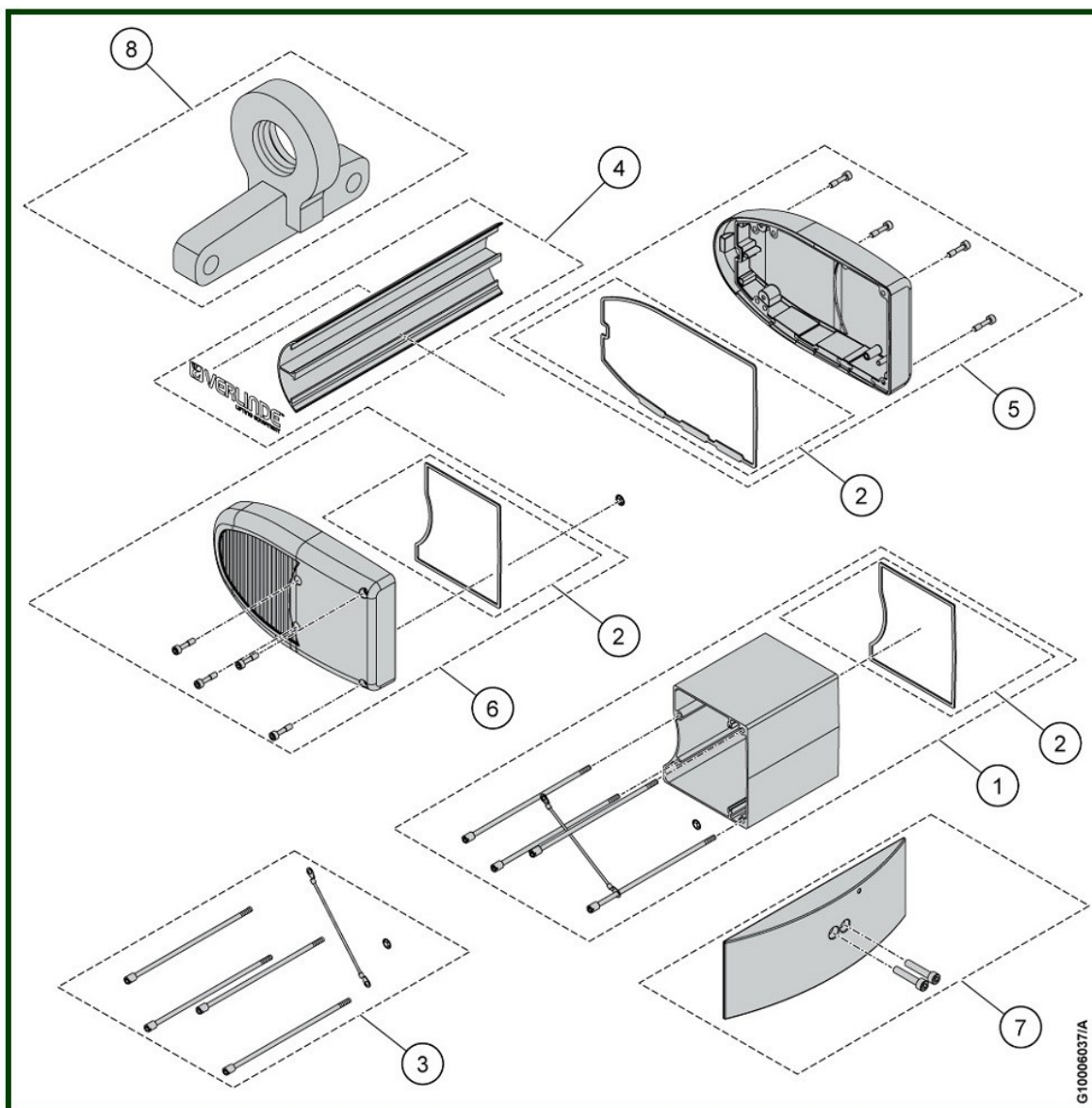
Item	Reference	Description	Observation	Quantity
1	VT0012520	Module carter		1
2	VT0009308	Sealings set		1
3	VT0007015	Screws set		1
4	VT0012518	Cover set - Front side		1
4	VT0013781	Cover set - Front side	2 brakes extension	1
5	VT0012519	Cover set - Brake side		1
6	VT0012521	Cover set - Motor side		1
7	VT0012522	Counterweight		1
8	VT0012523	Short suspension	Standard	1
10	VT0012524	Long suspension	Standard	1

1.2. Foldable hook



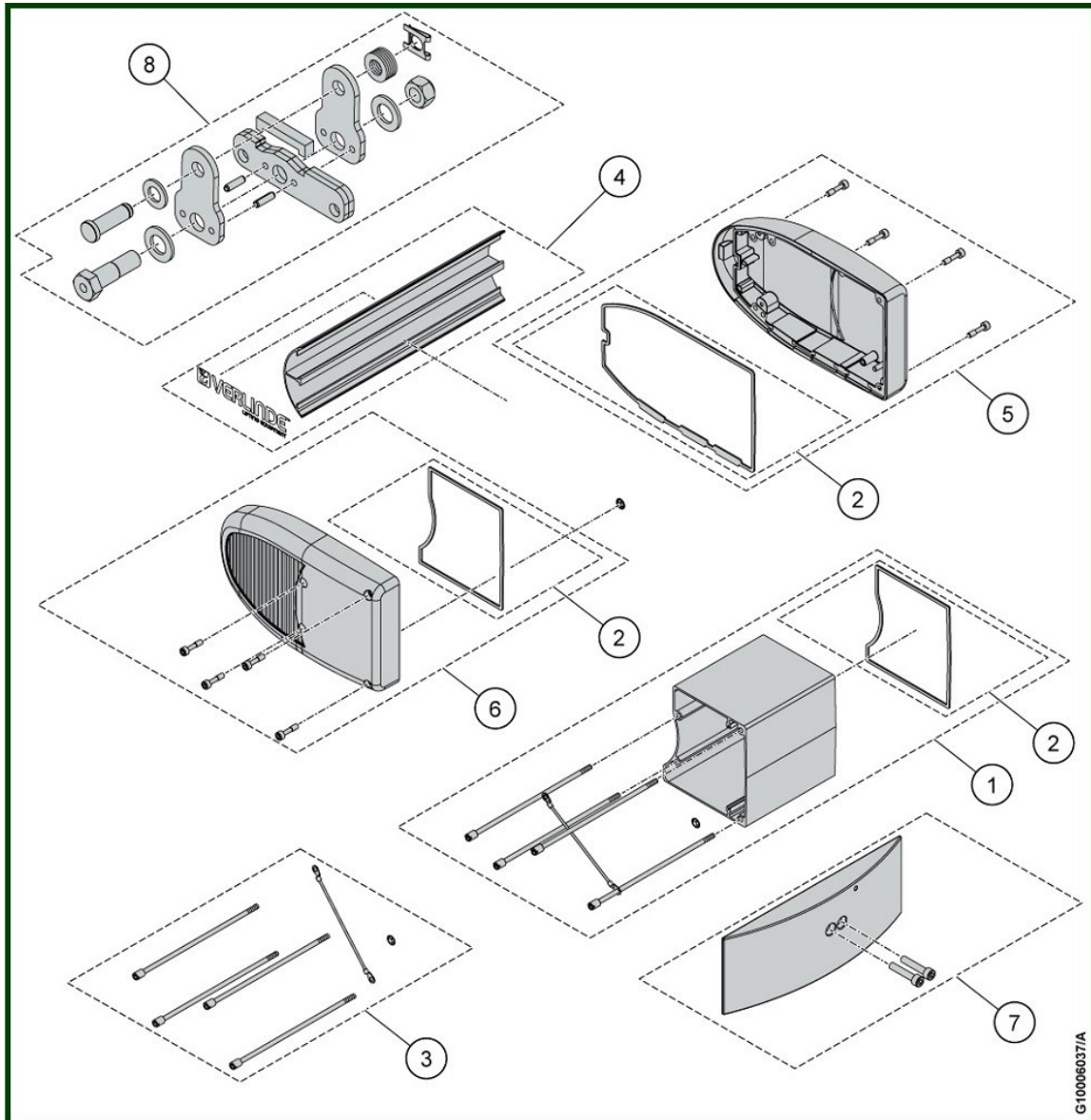
Item	Reference	Description	Observation	Quantity
1	VT0012520	Module carter		1
2	VT0009308	Sealings set		1
3	VT0007015	Screws set		1
4	VT0012518	Cover set - Front side		1
4	VT0013781	Cover set - Front side	2 brakes extension	1
5	VT0012519	Cover set - Brake side		1
6	VT0012521	Cover set - Motor side		1
7	VT0012522	Counterweight		1
8	VT0013784	Foldable hook		1

1.3. Manual trolley



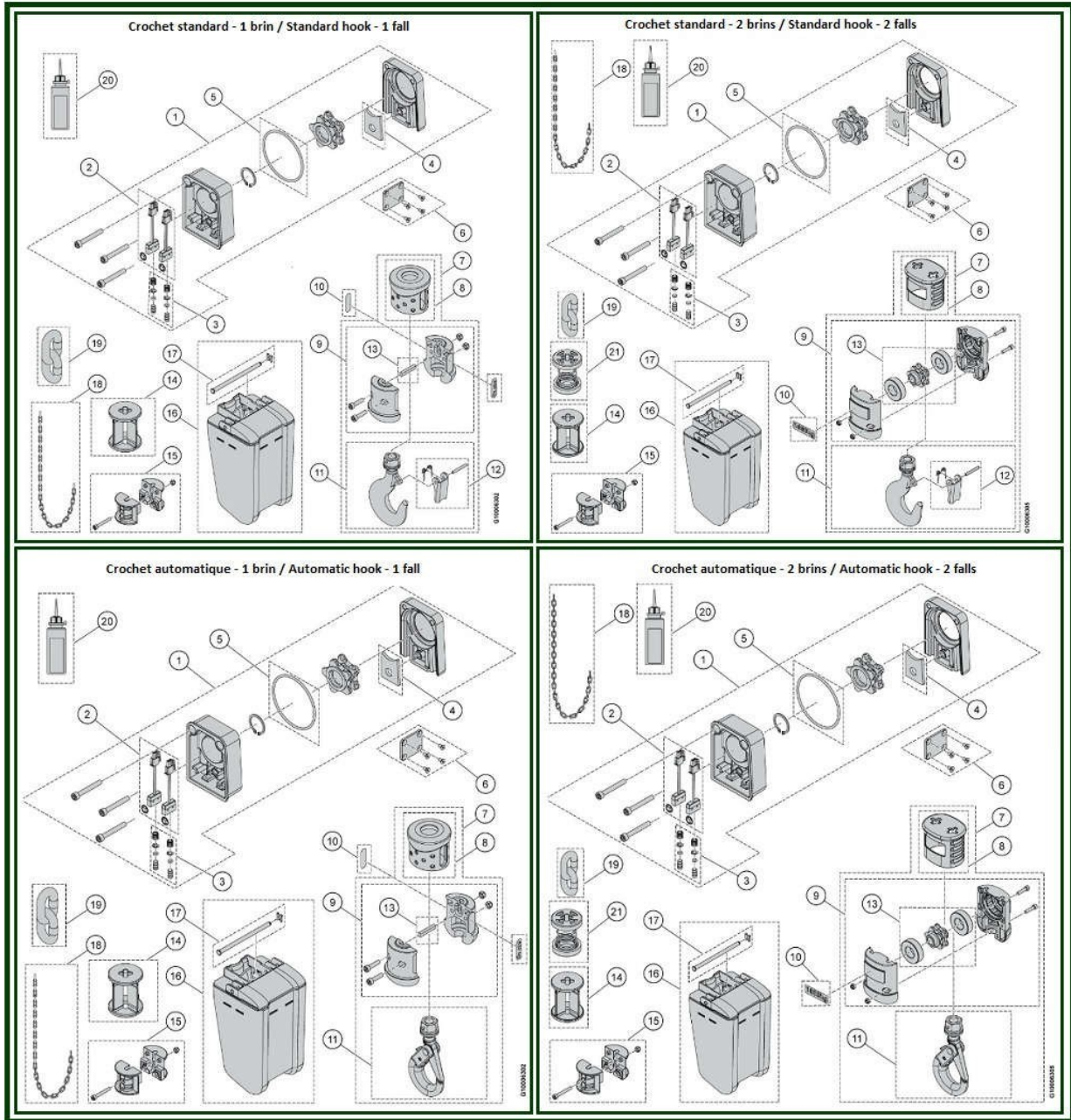
Item	Reference	Description	Observation	Quantity
1	VT0012520	Module carter		1
2	VT0009308	Sealings set		1
3	VT0007015	Screws set		1
4	VT0012518	Cover set - Front side		1
4	VT0013781	Cover set - Front side	2 brakes extension	1
5	VT0012519	Cover set - Brake side		1
6	VT0012521	Cover set - Motor side		1
7	VT0012522	Counterweight		1
8	VT0013785	Upper suspension	Eye rotated	1

1.4. Electric trolley

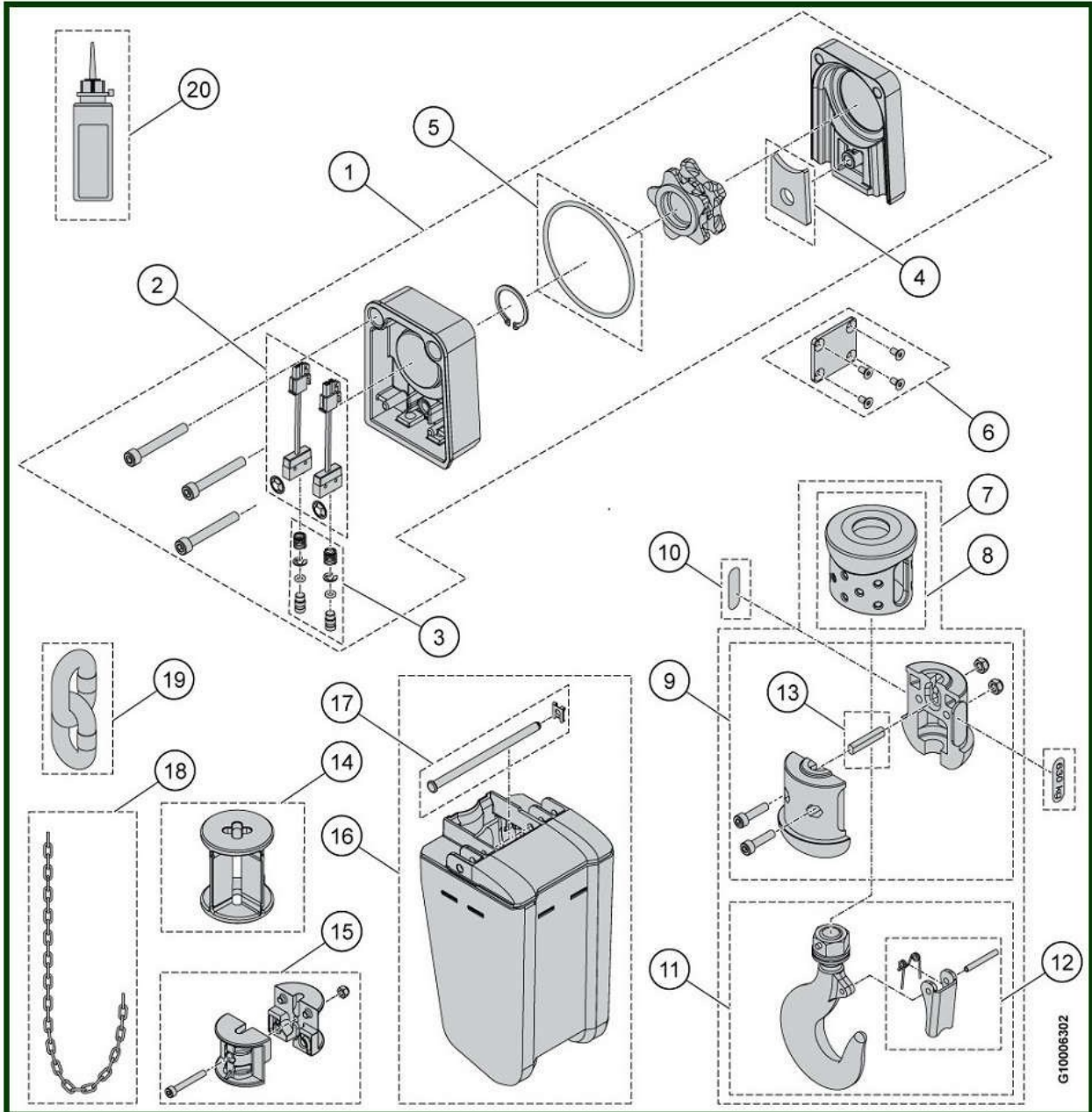


Item	Reference	Description	Observation	Quantity
1	VT0012520	Module carter		1
2	VT0009308	Sealings set		1
3	VT0007015	Screws set		1
4	VT0012518	Cover set - Front side		1
4	VT0013781	Cover set - Front side	2 brakes extension	1
5	VT0012519	Cover set - Brake side		1
6	VT0012521	Cover set - Motor side		1
7	VT0012522	Counterweight		1
8	VT0013782	Electric trolley	C1	1
8	VT0013783	Electric trolley	C2-C3	1

2. CHAIN GUIDE



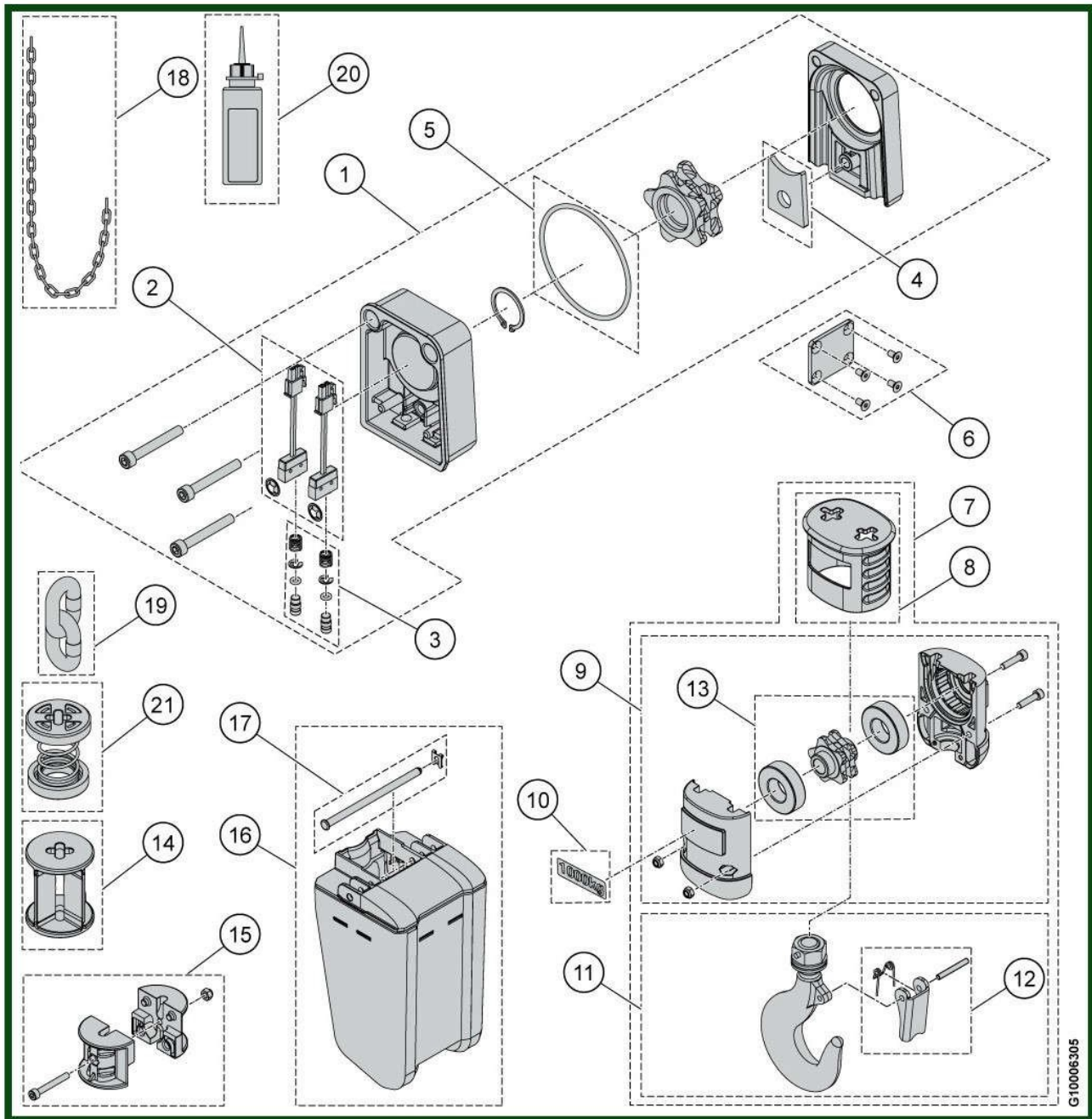
2.1. Standard hook - 1 fall



Standard hook - 1 fall

Item	Reference	Description	Observation	Quantity
1	<u>VT0012525</u>	Chain guide		1
2	<u>VT0012526</u>	Switch set		1
3	<u>VT0012527</u>	Activator switch		1
4	<u>VT0012528</u>	Chain ejector		1
5	<u>VT0006095</u>	O-ring		1
6	<u>VT0012529</u>	Cap assembly		1
7	<u>VT0012530</u>	Hook block	Standard hook	1
8	<u>VT0012534</u>	Rubber chain stop		1
9	<u>VT0012536</u>	Hook component		1
10	<u>VT0014082</u>	Set of 10 load plates	1/2 TON	1
10	<u>VT0008658</u>	Set of 10 load plates	1/4 TON	1
10	<u>VT0014084</u>	Set of 10 load plates	150 kg	1
10	<u>VT0014086</u>	Set of 10 load plates	160 kg	1
10	<u>VT0006340</u>	Set of 10 load plates	250 kg	1
10	<u>VT0006341</u>	Set of 10 load plates	320 kg	1
10	<u>VT0005870</u>	Set of 10 load plates	500 kg	1
10	<u>VT0006342</u>	Set of 10 load plates	630 kg	1
11	<u>VT0004975</u>	Hook		1
12	<u>VT0012996</u>	Safety latch	Standard	1
13	<u>VT0006240</u>	Pin		1
14	<u>VT0012656</u>	Activator switch		1
15	<u>VT0012546</u>	Chain stop	5,1x15,1	1
16	<u>VT0012585</u>	Chain bucket	6 m	1
17	<u>VT0012586</u>	Fixing set		1
18	<u>VT0013117</u>	Chain	Standard	1
18	<u>VT0014121</u>	Chain	DAT (grade 100) 5,1x15,1 T	1
18	<u>VT0013056</u>	Precut chain	3,5 m	1
18	<u>VT0013057</u>	Precut chain	5 m	1
18	<u>VT0013058</u>	Precut chain	10 m	1
19	<u>VT0013317</u>	Chain link		1
20	<u>VT0006025</u>	Oil can		1

2.2. Standard hook - 2 falls

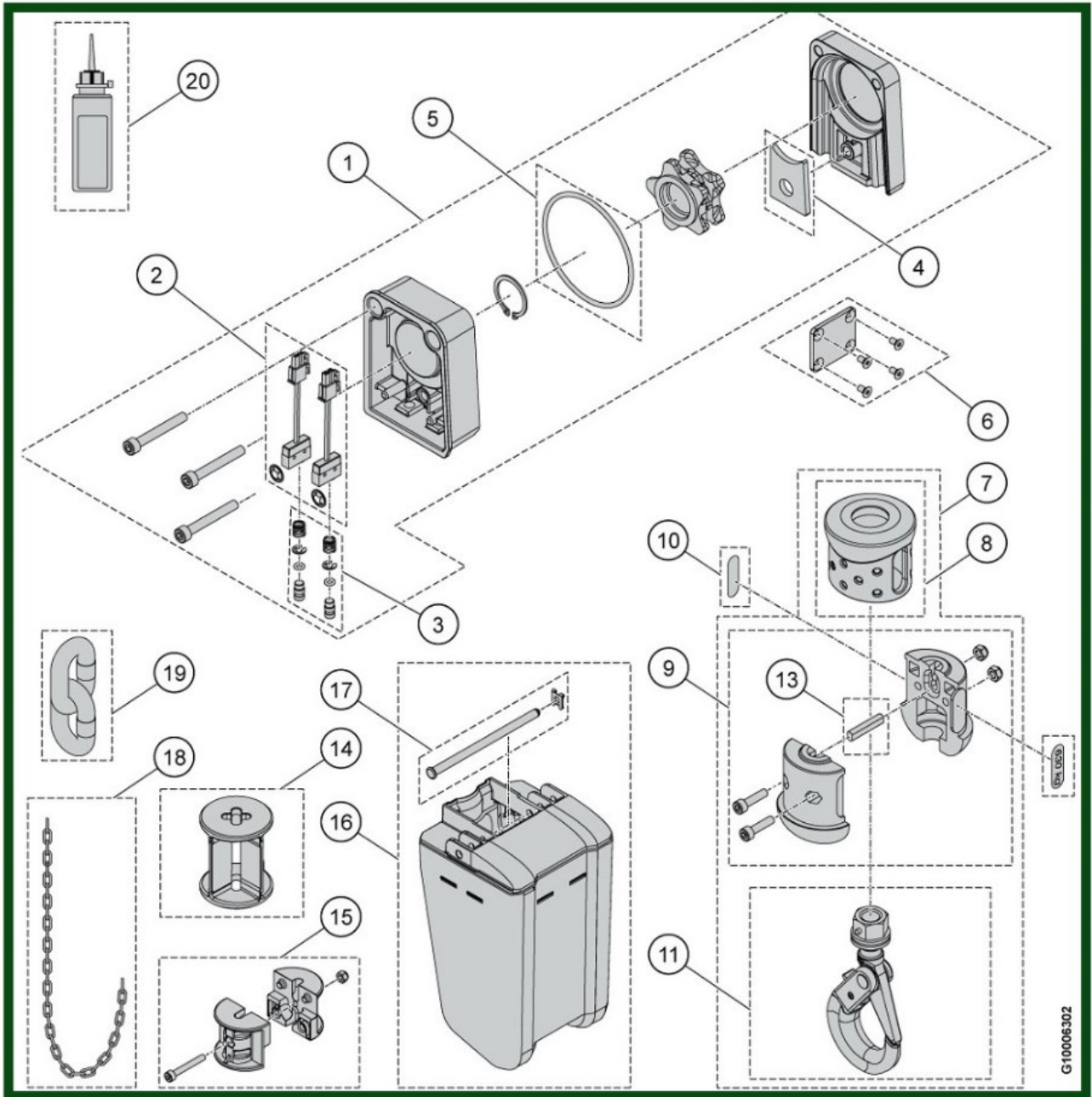


G10006305

Standard hook - 2 falls

Item	Reference	Description	Observation	Quantity
1	<u>VT0012525</u>	Chain guide		1
2	<u>VT0012526</u>	Switch set		1
3	<u>VT0012527</u>	Activator switch		1
4	<u>VT0012528</u>	Chain ejector		1
5	<u>VT0006095</u>	O-ring		1
6	<u>VT0012529</u>	Cap assembly		1
7	<u>VT0012531</u>	Hook block		1
8	<u>VT0012535</u>	Rubber chain stop		1
9	<u>VT0012537</u>	Hook component		1
10	<u>VT0014081</u>	Set of 10 load plates	500 kg	1
10	<u>VT0014088</u>	Set of 10 load plates	630 kg	1
10	<u>VT0014085</u>	Set of 10 load plates	1000 kg	1
11	<u>VT0005861</u>	Hook		1
12	<u>VT0005903</u>	Safety latch	Standard	1
13	<u>VT0012545</u>	Sprocket wheel		1
15	<u>VT0012546</u>	Chain stop	5,1x15,1	1
16	<u>VT0012585</u>	Chain bucket	6 m	1
17	<u>VT0012586</u>	Fixing set		1
18	<u>VT0013117</u>	Chain	Standard 5,1x15,1	1
18	<u>VT0014121</u>	Chain	DAT (grade 100) 5,1x15,1 T	1
18	<u>VT0013056</u>	Precut chain	Standard - 3,5 m	1
18	<u>VT0013057</u>	Precut chain	Standard - 5 m	1
18	<u>VT0013058</u>	Precut chain	Standard - 10 m	1
19	<u>VT0013317</u>	Chain link		1
20	<u>VT0006025</u>	Oil can		1
21	<u>VT0008838</u>	Spring set		1

2.3. Automatic hook - 1 fall

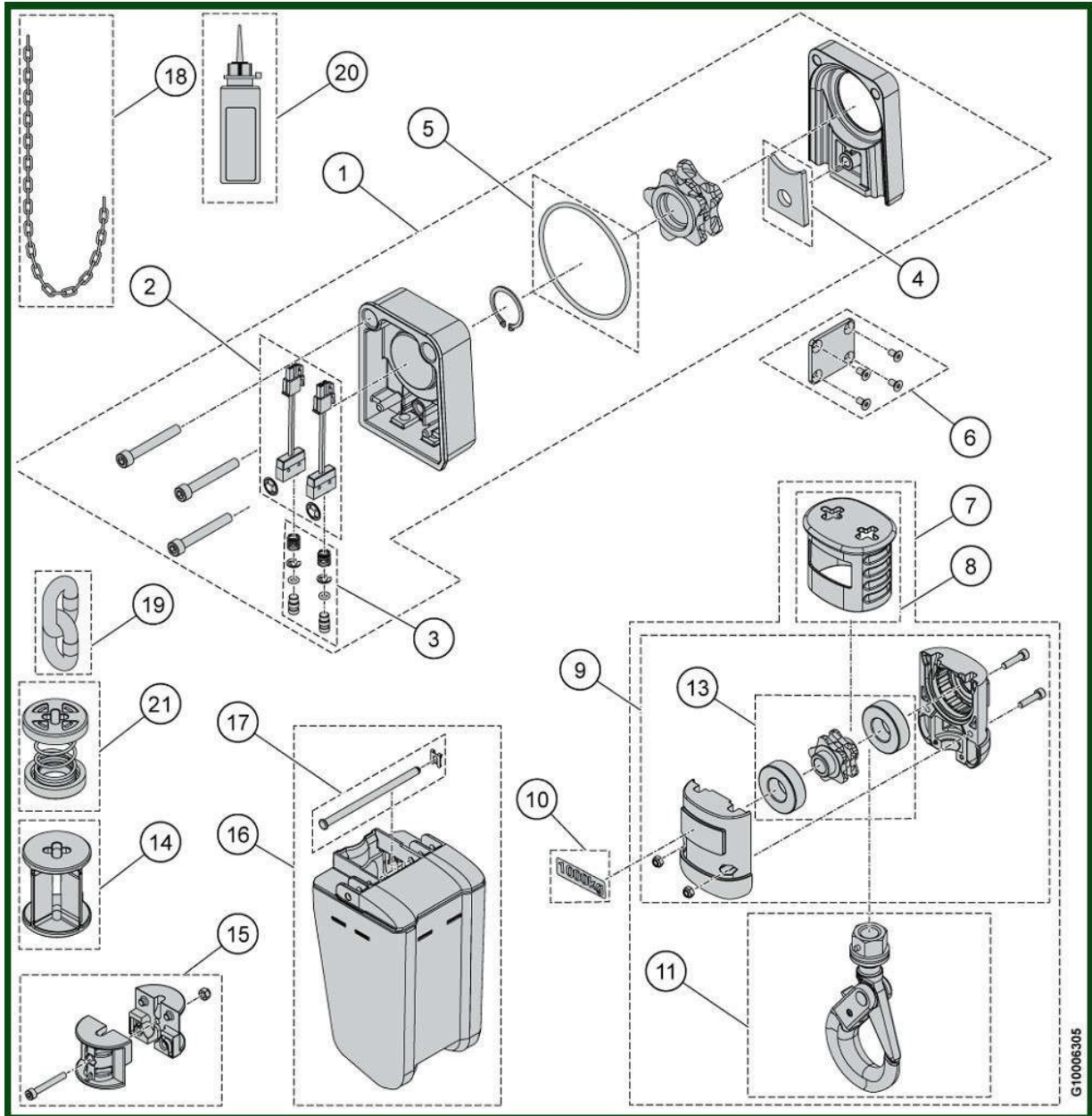


G10006302

Automatic hook - 1 fall

Item	Reference	Description	Observation	Quantity
1	<u>VT0012525</u>	Chain guide		1
2	<u>VT0012526</u>	Switch set		1
3	<u>VT0012527</u>	Activator switch		1
4	<u>VT0012528</u>	Chain ejector		1
5	<u>VT0006095</u>	O-ring		1
6	<u>VT0012529</u>	Cap assembly		1
7	<u>VT0012532</u>	Hook block	Automatic hook	1
8	<u>VT0012534</u>	Rubber chain stop		1
9	<u>VT0012536</u>	Hook component		1
10	<u>VT0014084</u>	Set of 10 load plates	150 kg	1
10	<u>VT0014086</u>	Set of 10 load plates	160 kg	1
10	<u>VT0006340</u>	Set of 10 load plates	250 kg	1
10	<u>VT0006341</u>	Set of 10 load plates	320 kg	1
10	<u>VT0005870</u>	Set of 10 load plates	500 kg	1
10	<u>VT0006342</u>	Set of 10 load plates	630 kg	1
11	<u>VT0006453</u>	Automatic hook		1
13	<u>VT0006240</u>	Pin		1
15	<u>VT0012546</u>	Chain stop	5,1x15,1	1
16	<u>VT0012585</u>	Chain bucket	6 m	1
17	<u>VT0012586</u>	Fixing set		1
18	<u>VT0014121</u>	Chain	DAT (grade 100) 5,1x15,1 T	1
18	<u>VT0013117</u>	Chain	Standard 5,1x15,1	1
18	<u>VT0013056</u>	Precut chain	3,5 m	1
18	<u>VT0013057</u>	Precut chain	5 m	1
18	<u>VT0013058</u>	Precut chain	10 m	1
19	<u>VT0013317</u>	Chain link		1
20	<u>VT0006025</u>	Oil can		1

2.4. Automatic hook - 2 falls

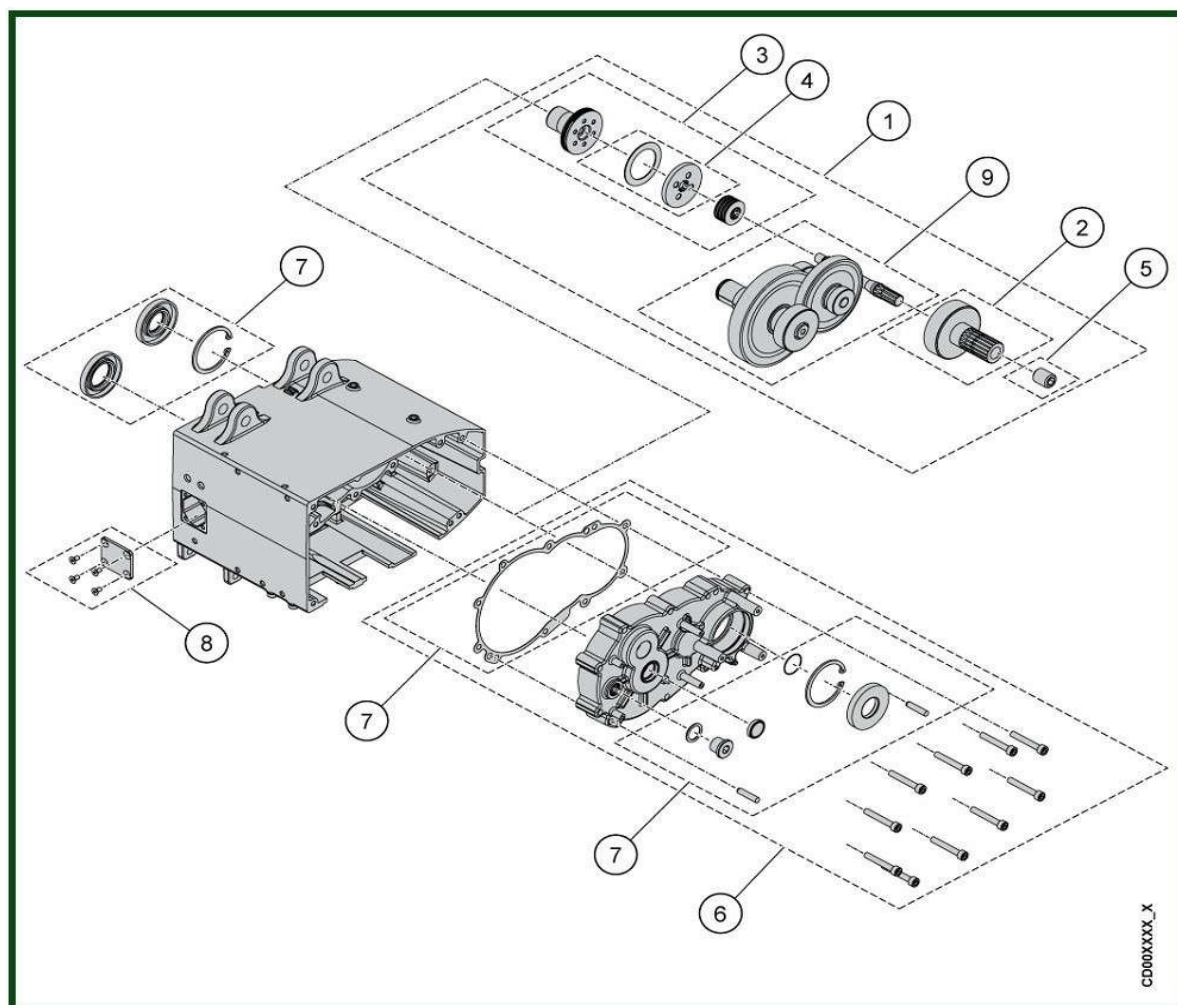


G10006305

Automatic hook - 2 falls

Item	Reference	Description	Observation	Quantity
1	<u>VT0012525</u>	Chain guide		1
2	<u>VT0012526</u>	Switch set		1
3	<u>VT0012527</u>	Activator switch		1
4	<u>VT0012528</u>	Chain ejector		1
5	<u>VT0006095</u>	O-ring		1
6	<u>VT0012529</u>	Cap assembly		1
7	<u>VT0012533</u>	Hook block	Automatic hook	1
8	<u>VT0012535</u>	Rubber chain stop		1
9	<u>VT0012537</u>	Hook component		1
10	<u>VT0014081</u>	Set of 10 load plates	500 kg	1
10	<u>VT0014088</u>	Set of 10 load plates	630 kg	1
10	<u>VT0014085</u>	Set of 10 load plates	1000 kg	1
11	<u>VT0006486</u>	Automatic hook		1
13	<u>VT0012545</u>	Sprocket wheel		1
15	<u>VT0012546</u>	Chain stop	5,1x15,1	1
16	<u>VT0012585</u>	Chain bucket	6 m	1
17	<u>VT0012586</u>	Fixing set		1
18	<u>VT0013117</u>	Chain	Standard 5,1x15,1	1
18	<u>VT0014121</u>	Chain	DAT (grade 100) 5,1x15,1 T	1
18	<u>VT0013056</u>	Precut chain	3,5 m	1
18	<u>VT0013057</u>	Precut chain	5 m	1
18	<u>VT0013058</u>	Precut chain	10 m	1
19	<u>VT0013317</u>	Chain link		1
20	<u>VT0006025</u>	Oil can		1
21	<u>VT0008838</u>	Spring set		1

3. GEAR

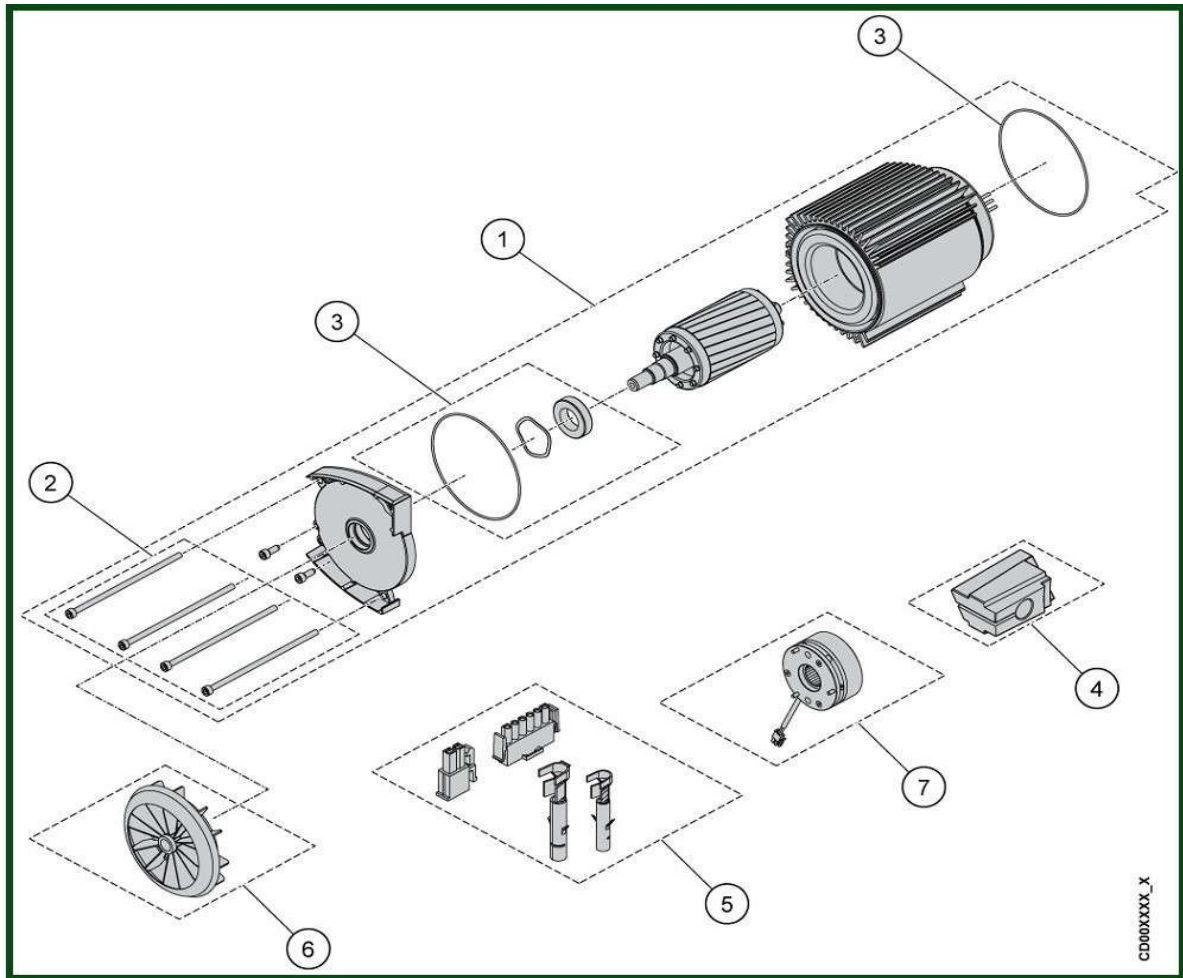


Item	Reference	Description	Observation	Quantity
1	VT0012496	Gear pinion set	4m/min	1
1	VT0012556	Gear pinion set	8m/min	1
1	VT0012557	Gear pinion set	12m/min	1
1	VT0012558	Gear pinion set	16m/min	1
1	VT0012559	Gear pinion set	24m/min	1
2	VT0012560	Brake hub + Screw		1
3	VT0012561	Clutch		1
4	VT0012562	Friction disc		1
5	VT0012563	Kit vis		1
6	VT0012583	Gearbox housing set	FDC	1
6	VT0012564	Gearbox housing set	Standard	1
7	VT0012584	Sealings set	FDC	1
7	VT0012565	Sealings set	Standard	1
8	VT0012529	Cap assembly		1

3.1. Limit switch - Options

Item	Reference	Description	Observation	Quantity
1	<u>VT0009359</u>	Frame extension		1
2	<u>VT0014001</u>	Support plate - Gear		1
3	<u>VT0014005</u>	Limit switch + screw	2 cams / 180	1
3	<u>VT0014003</u>	Limit switch + screw	2 cams / 280	1
3	<u>VT0014004</u>	Limit switch + screw	4 cams / 180	1
3	<u>VT0014002</u>	Limit switch + screw	4 cams / 280	1
4	<u>VT0014010</u>	Support plate + screw		1
5	<u>VT0014011</u>	Coupling shaft		1
6	<u>VT0008692</u>	Joint		1
7	<u>VT0014009</u>	Complete limit switch + Sealing	2 cams / 180	1
7	<u>VT0014007</u>	Complete limit switch + Sealing	2 cams / 280	1
7	<u>VT0014008</u>	Complete limit switch + Sealing	4 cams / 180	1
7	<u>VT0014006</u>	Complete limit switch + Sealing	4 cams / 280	1
8	<u>VT0014013</u>	Wiring set	2 Cams	1
8	<u>VT0014012</u>	Wiring set	4 Cams	1
9	<u>VT0013781</u>	Capot frontal	2 brakes extension	1

4. MOTOR

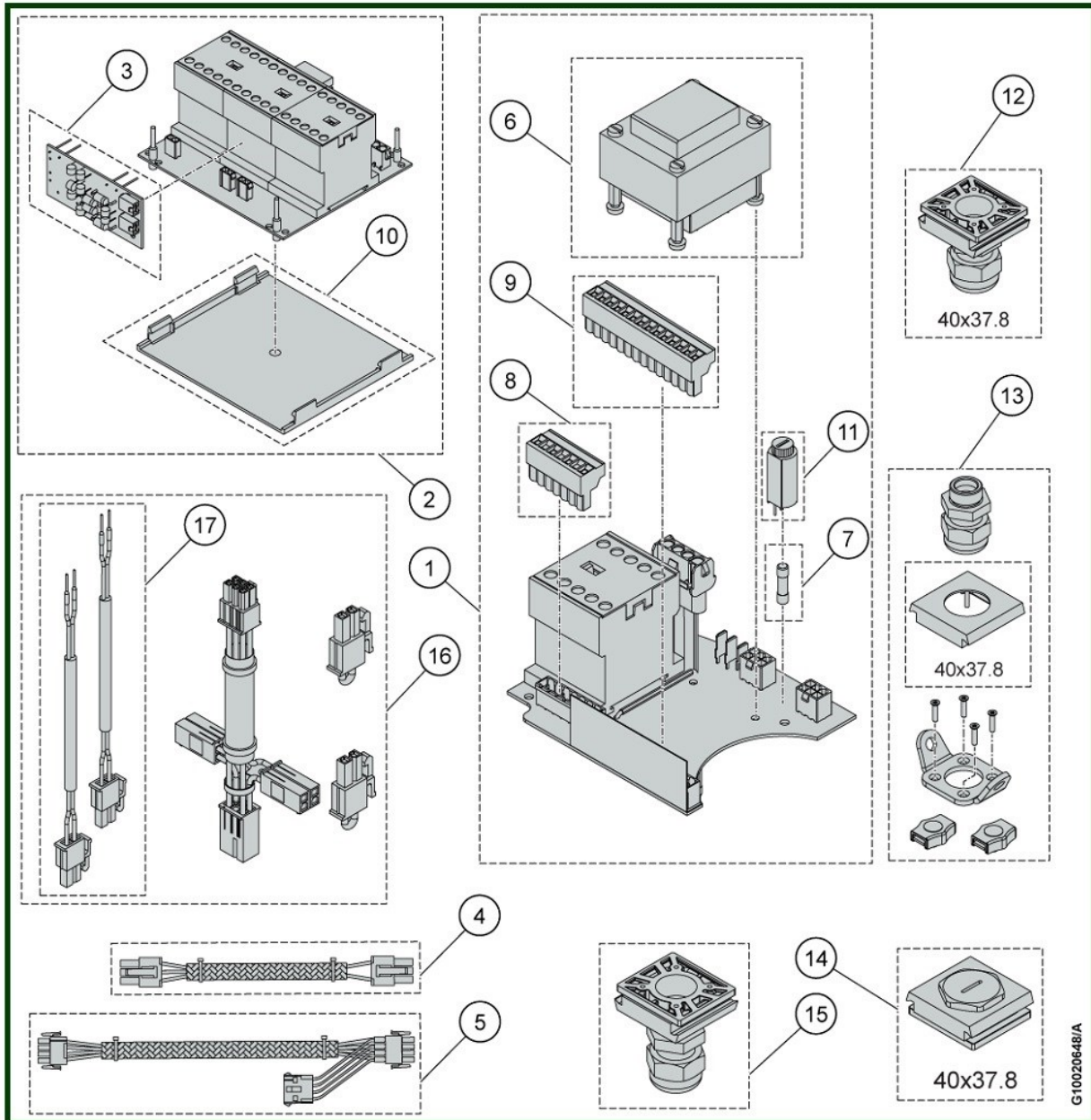


Motor

Item	Reference	Description	Observation	Quantity
1	<u>VT0012757</u>	Motor - 2 speeds	220-240V 50Hz	1
1	<u>VT0012566</u>	Motor - 2 speeds	380-415V 50Hz 440-480V 60Hz	1
1	<u>VT0012756</u>	Motor - 2 speeds	500-525V 50Hz 575V 60Hz	1
2	<u>VT0010556</u>	Kit vis		1
3	<u>VT0012567</u>	Sealing + Bearing set		1
4	<u>VT0012568</u>	Rubber		1
5	<u>VT0012758</u>	Motor connectors		1
6	<u>VT0012570</u>	Fan set		1
7	<u>VT0004661</u>	Single brake	103V	1
7	<u>VT0004979</u>	Single brake	190V	1
7	<u>VT0006473</u>	Single brake	255V	1
7	<u>VT0006474</u>	Single brake	320V	1
7	<u>VT0006259</u>	Double brakes	103V	1
7	<u>VT0006258</u>	Double brakes	190V	1
7	<u>VT0006475</u>	Double brakes	255V	1
7	<u>VT0006476</u>	Double brakes	320V	1

5. ELECTRICAL PARTS

5.1. Solo equipment - Standard



G10020648/A

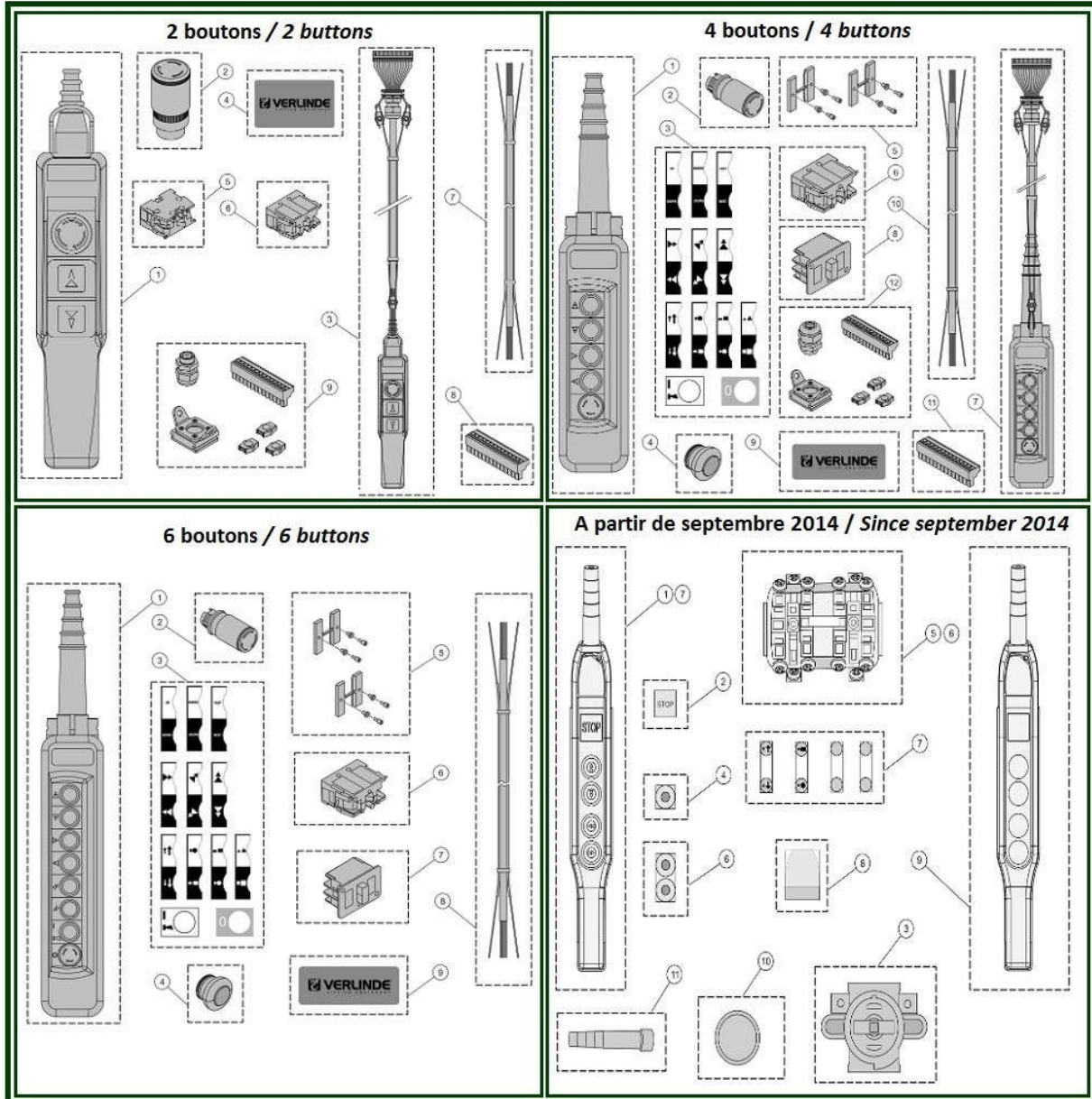
Solo equipment - Standard

Item	Reference	Description	Observation	Quantity
1	VT0009195	Power supply board - Solo hoist	230V / 24V - 50 Hz	1
1	VT0006431	Power supply board - Solo hoist	230V / 115V - 50 Hz	1
1	VT0011276	Power supply board - Solo hoist	230V / 230V - 50 Hz	1
1	VT0004944	Power supply board - Solo hoist	380-415V / 24V - 50 Hz	1
1	VT0004942	Power supply board - Solo hoist	380-415V / 48V - 50 Hz	1
1	VT0005312	Power supply board - Solo hoist	380-415V / 115V - 50 Hz	1
1	VT0005313	Power supply board - Solo hoist	380-415V / 230V - 50 Hz	1
1	VT0007409	Power supply board - Solo hoist	460-480V / 24V - 60 Hz	1
1	VT0006432	Power supply board - Solo hoist	460-480V / 48V - 60 Hz	1
1	VT0006433	Power supply board - Solo hoist	460-480V / 115V - 60 Hz	1
1	VT0012571	Power supply board - Solo hoist	460-480V / 230V - 60 Hz	1
1	VT0006434	Power supply board - Solo hoist	500-525V / 48V - 50 Hz	1
1	VT0006446	Power supply board - Solo hoist	500-525V / 115V - 50 Hz	1
1	VT0006435	Power supply board - Solo hoist	575V / 48V - 60 Hz	1
1	VT0006447	Power supply board - Solo hoist	575V / 115V - 60 Hz	1
1	VT0006430	Power supply board - Solo hoist	230V / 48V - 50 Hz	1
2	VT0005302	Motor control board - 2 speeds 1 brake	230V-690V / 50-60HZ / 24V	1
2	VT0004945	Motor control board - 2 speeds 1 brake	230V-690V / 50-60HZ / 48V	1
2	VT0005303	Motor control board - 2 speeds 1 brake	230V-690V / 50-60HZ / 110V	1
2	VT0005304	Motor control board - 2 speeds 1 brake	230V-690V / 50-60HZ / 230V	1
2	VT0005305	Motor control board - 2 speeds 2 brakes	230V-690V / 50-60HZ / 24V	1
2	VT0005306	Motor control board - 2 speeds 2 brakes	230V-690V / 50-60HZ / 48V	1
2	VT0005307	Motor control board - 2 speeds 2 brakes	230V-690V / 50-60HZ / 110V	1
2	VT0005308	Motor control board - 2 speeds 2 brakes	230V-690V / 50-60HZ / 230V	1
3	VT0004946	Rectifier - 1 brake	230V-690V	1
3	VT0004947	Rectifier - 2 brakes	230V-690V	1
3	VT0004948	Rectifier reconnectable	208V-690V	1
4	VT0004949	Wire harness - Basse tension		1
5	VT0004950	Power supply connector		1

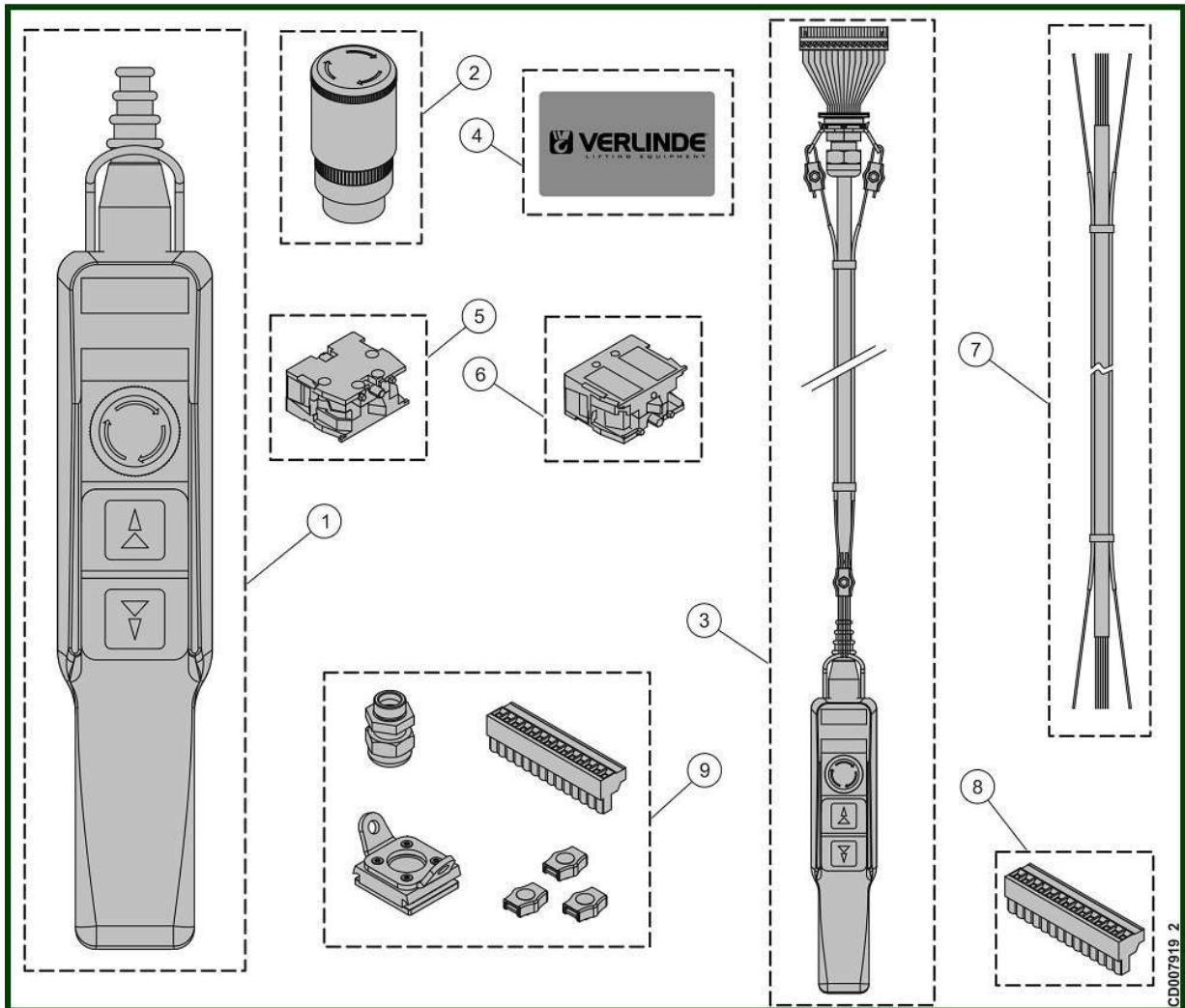
Item	Reference	Description	Observation	Quantity
6	VT0009197	Transformer	230V / 24V	1
6	VT0006325	Transformer	230V / 48V	1
6	VT0006439	Transformer	230V / 115V	1
6	VT0009198	Transformer	230V / 230V	1
6	VT0004952	Transformer	380-415V / 24V	1
6	VT0004953	Transformer	380-415V / 48V	1
6	VT0004951	Transformer	380-415V / 115V	1
6	VT0004954	Transformer	380-415V / 230V	1
6	VT0012579	Transformer	460-480V / 24V - 60 Hz	1
6	VT0006437	Transformer	460-480V / 48V - 60 Hz	1
6	VT0012572	Transformer	500-525V / 24V	1
6	VT0006436	Transformer	500-525V / 48V	1
6	VT0012573	Transformer	500-525V / 115V	1
6	VT0012574	Transformer	500-525V / 230V	1
6	VT0012580	Transformer	575V / 24V	1
6	VT0006438	Transformer	575V / 48V	1
6	VT0008540	Transformer	575V / 115V	1
6	VT0012581	Transformer	575V / 230V	1
6	VT0012575	Transformer	690V / 24V	1
6	VT0012576	Transformer	690V / 48V	1
6	VT0012577	Transformer	690V / 115V	1
6	VT0012578	Transformer	690V / 230V	1
7	VT0007706	Transformer	24V	1
7	VT0004915	Set of 10 fuses	48V	1
7	VT0004955	Set of 10 fuses	115V	1
7	VT0008541	Set of 10 fuses	230V	1
8	VT0005107	Power supply connector	4P	1
9	VT0005108	Control voltage connector	14P	1
10	VT0006441	Insulation plate		1
11	VT0006191	Fuse base		1
12	VT0006393	Cable gland set Square cable entry	Trolley – Power supply ISO 20	1
13	VT0005089	Cable gland set Rectangular cable entry	Power supply - Only VR2 ISO 20	1
14	VT0005090	Cable gland set Square cable entry	Push button	1
15	VT0006089	End cap		1
16	VT0006326	Cable gland set Square cable entry	Flat cable - 4G2.5	1

Item	Reference	Description	Observation	Quantity
17	<u>VT0008551</u>	GLS set of connection		1
18	<u>VT0008550</u>	GLS cable	600mm - 24-230V 50-60Hz 2 for 2 steps or 4 for 4 steps	1
-	<u>VT0006967</u>	Time counter		1

6. PUSH BUTTONS



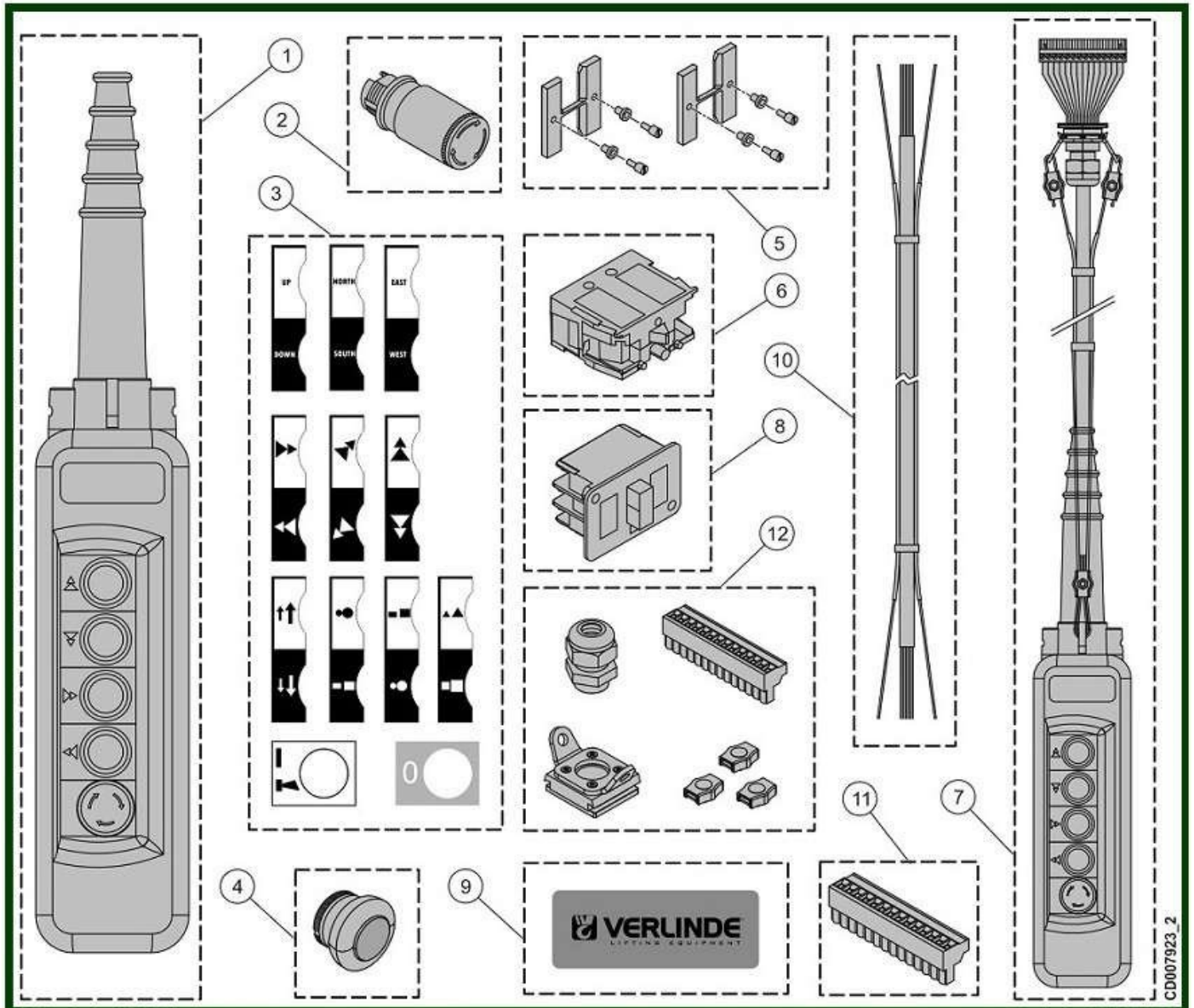
6.1. 2 buttons



2 buttons

Item	Reference	Description	Observation	Quantity
1	<u>VT0005061</u>	Pendant controller - 2HS+ES	Yellow	1
2	<u>VT0006547</u>	Emergency push button		1
3	<u>VT0005612</u>	Pendant with cable - 2HS+ES	2,2 m - Yellow - CE	1
3	<u>VT0005613</u>	Pendant with cable - 2HS+ES	2,7 m - Yellow - CE	1
3	<u>VT0005614</u>	Pendant with cable - 2HS+ES	3,2 m - Yellow - CE	1
3	<u>VT0005615</u>	Pendant with cable - 2HS+ES	3,7 m - Yellow - CE	1
3	<u>VT0005616</u>	Pendant with cable - 2HS+ES	4,2 m - Yellow - CE	1
3	<u>VT0005617</u>	Pendant with cable - 2HS+ES	4,7 m - Yellow - CE	1
3	<u>VT0005618</u>	Pendant with cable - 2HS+ES	5,2 m - Yellow - CE	1
3	<u>VT0005619</u>	Pendant with cable - 2HS+ES	5,7 m - Yellow - CE	1
4	<u>VT0007837</u>	Sticker of brand	VERLINDE	1
5	<u>VT0005064</u>	Block contact	ZB2-BE101	1
6	<u>VT0005066</u>	Block contact	ZB2-BE 102	1
7	<u>VT0006746</u>	Cable	5x1,5 mm ² - CE	1
8	<u>VT0005108</u>	Control voltage connector	14P	1
9	<u>VT0007583</u>	Pendant plug set	ISO	1

6.2. 4 buttons

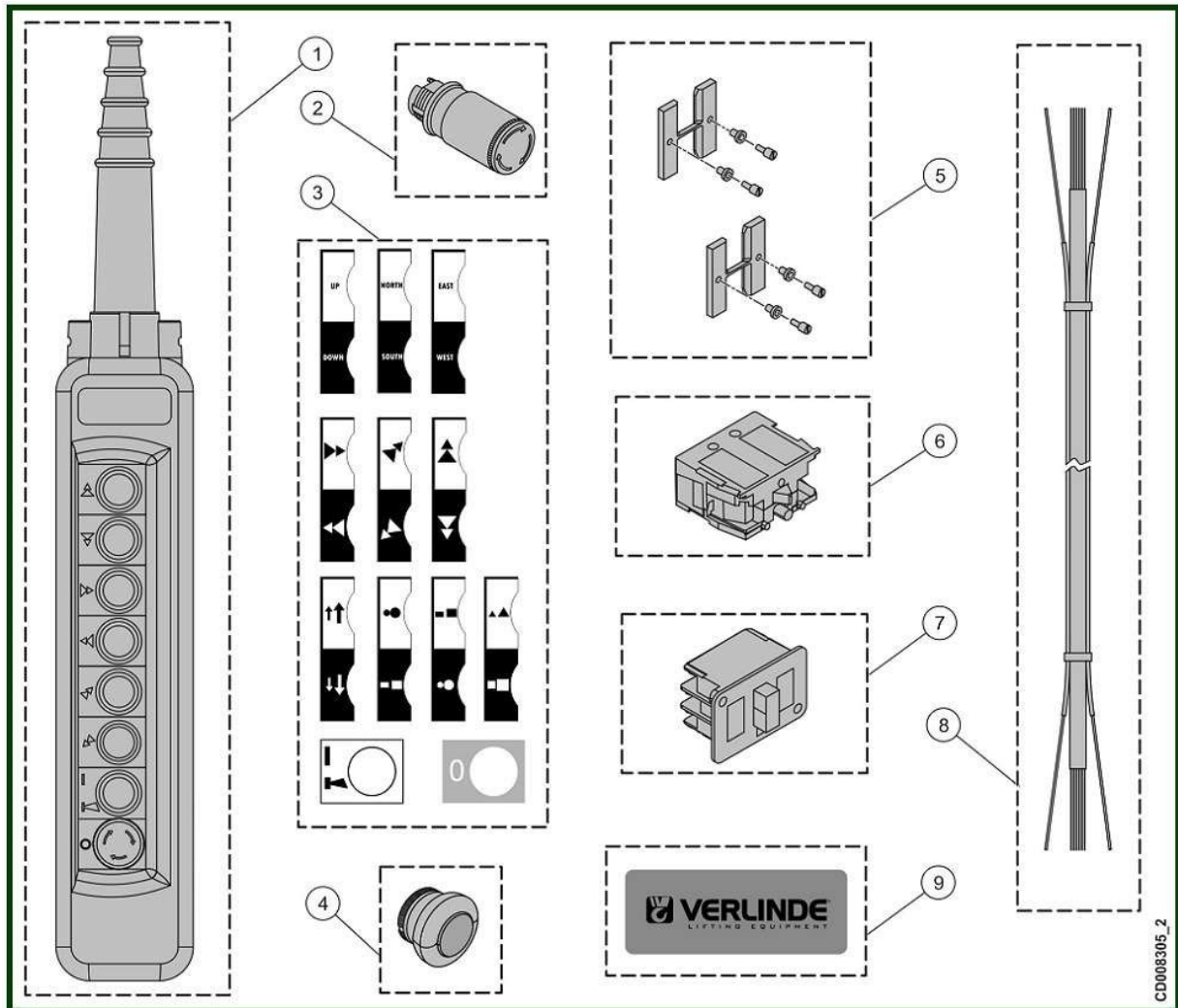


CD007923_2

4 buttons

Item	Reference	Description	Observation	Quantity
1	<u>VT0005055</u>	Pendant controller 2HS+2TS+ES	Yellow	1
2	<u>VT0006548</u>	Emergency push button		1
3	<u>VT0007882</u>	Set of direction symbols		1
4	<u>VT0005063</u>	Push button		1
5	<u>VT0005072</u>	Mechanical interlock		2
6	<u>VT0005066</u>	Block contact	ZB2-BE 102	1
7	<u>VT0006056</u>	Pendant with cable 2HS+2TS+ES	2,7 m - Yellow	1
7	<u>VT0006058</u>	Pendant with cable 2HS+2TS+ES	3,7 m - Yellow	1
7	<u>VT0006057</u>	Pendant with cable 2HS+2TS+ES	3,2 m - Yellow	1
7	<u>VT0006059</u>	Pendant with cable 2HS+2TS+ES	4,2 m - Yellow	1
7	<u>VT0006060</u>	Pendant with cable 2HS+2TS+ES	4,7 m - Yellow	1
7	<u>VT0006061</u>	Pendant with cable 2HS+2TS+ES	5,2 m - Yellow	1
7	<u>VT0006062</u>	Pendant with cable 2HS+2TS+ES	5,7 m - Yellow	1
7	<u>VT0006055</u>	Pendant with cable 2HS+2TS+ES	2,2 m - Yellow	1
8	<u>VT0007879</u>	Block contact	XENG1191	1
9	<u>VT0007880</u>	Sticker of brand	VERLINDE	1
10	<u>VT0006747</u>	Cable	8x1,5mm ²	meter
11	<u>VT0005108</u>	Control voltage connector	14P	1
12	<u>VT0007583</u>	Pendant plug set	ISO	1

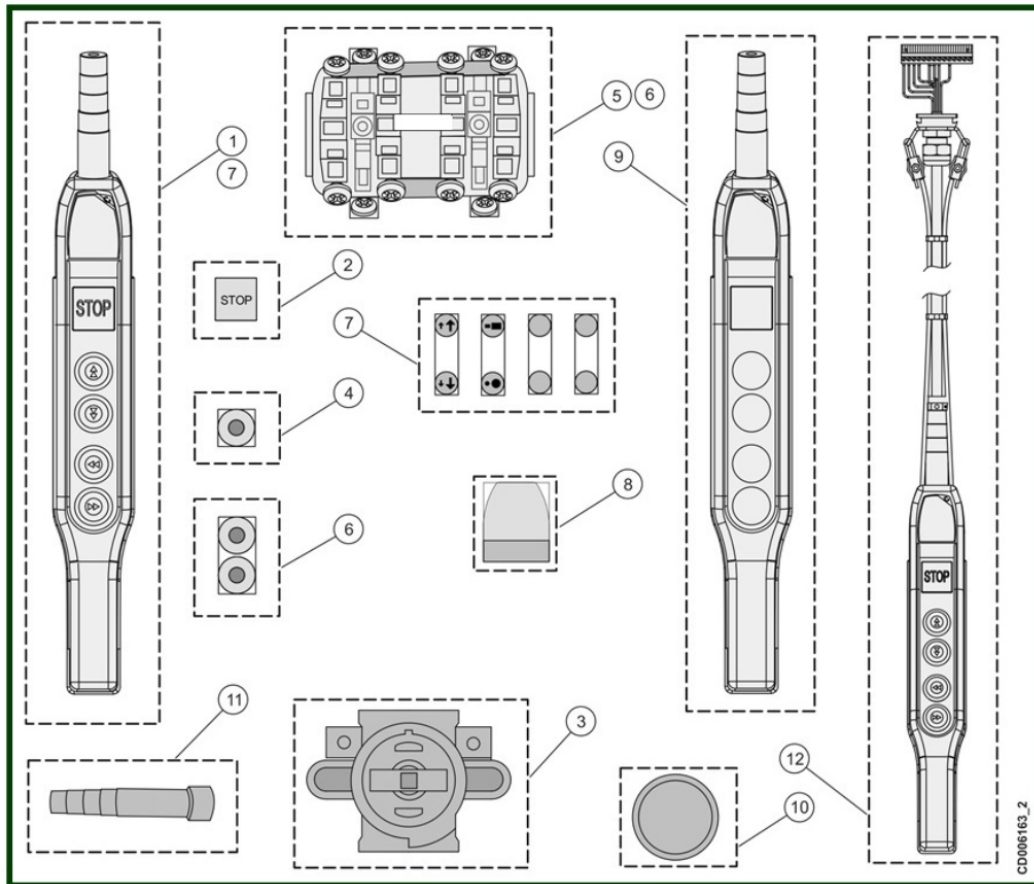
6.3. 6 buttons



CD008305_2

Item	Reference	Description	Observation	Quantity
1	VT0005058	Push button- 2HS+2TS+2LS+ON-OFF	Yellow	1
2	VT0006548	Emergency push button		1
3	VT0007882	Set of direction symbols		1
4	VT0005063	Push button		1
5	VT0005072	Mechanical interlock		2
6	VT0005066	Block contact	ZB2-BE 102	1
7	VT0007879	Block contact	XENG1191	1
8	VT0008073	Pendant electric cable	16x1.52mm ²	meter
8	VT0008074	Pendant electric cable	20x1.5mm ²	meter
9	VT0007880	Sticker of brand	VERLINDE	1
-	VT0005108	Control voltage connector	14P	1

6.4. Push buttons - From September 2014

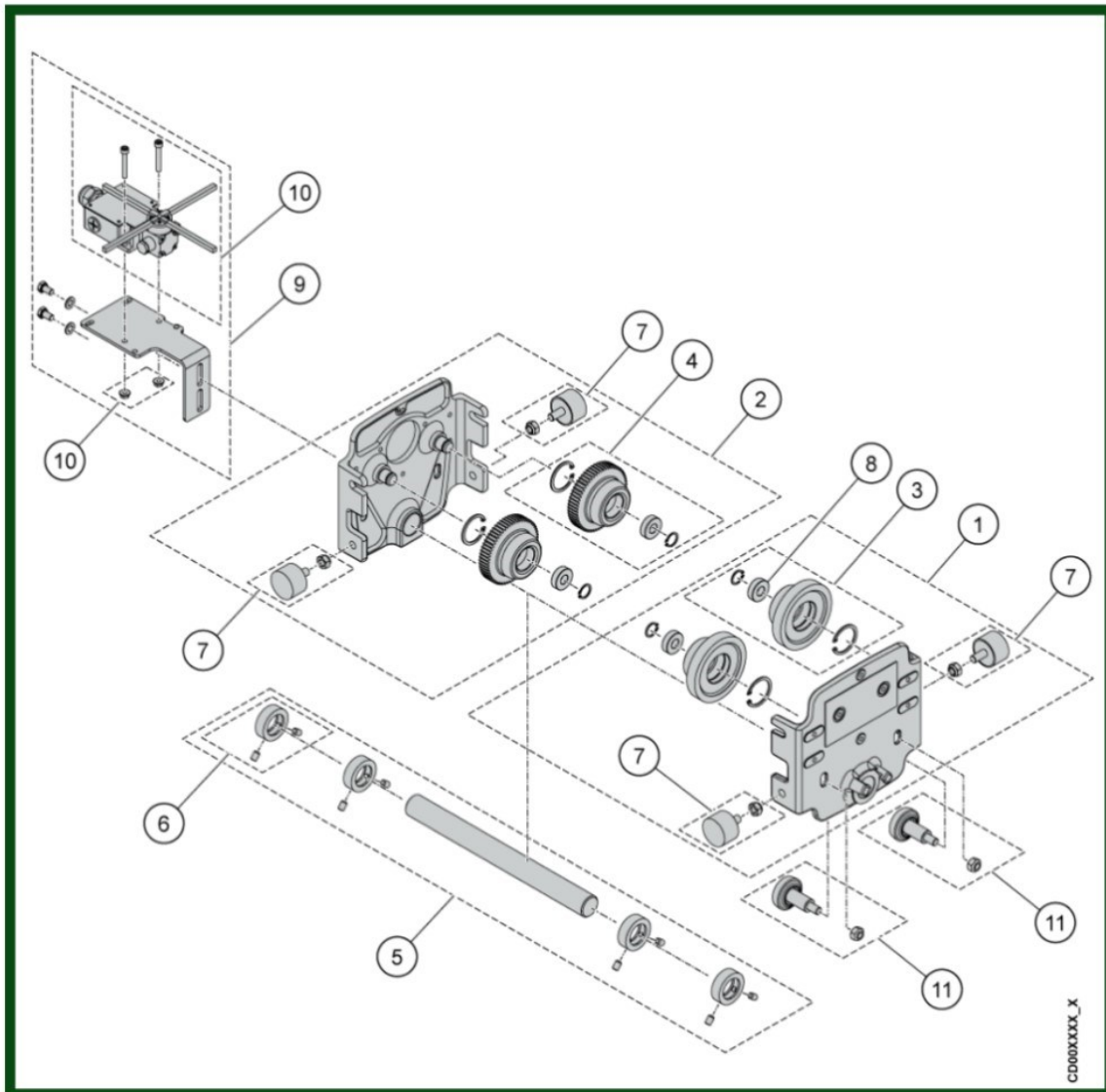


Push buttons - From September 2014

Item	Reference	Description	Observation	Quantity
1	<u>VT0006495</u>	Push button box - 2 HS+2TS+ES	Yellow - 4 buttons	1
1	<u>VT0006493</u>	Push button box - 2 HS+ES	Yellow - 2 buttons	1
2	<u>VT0006509</u>	Emergency push button		1
3	<u>VT0006510</u>	Emergency stop contact block		1
4	<u>VT0006511</u>	Rubber push button		1
5	<u>VT0006513</u>	Bloc de contact	2 steps	1
6	<u>VT0006514</u>	Set of 2 push buttons + contact block		1
7	<u>VT0006754</u>	Stickers - Direction symbols	ANSI	1
7	<u>VT0006752</u>	Stickers - Direction symbols	DIN	1
7	<u>VT0006753</u>	Stickers - Direction symbols	FIN-SEN	1
8	<u>VT0006496</u>	Sticker of brand	VERLINDE	1
9	<u>VT0006515</u>	Pendant housing	Yellow - 2 buttons	1
9	<u>VT0006518</u>	Pendant housing	Yellow - 4 buttons	1
10	<u>VT0006517</u>	Magnet		1
10	<u>VT0006516</u>	Bouchon caoutchouc		1
11	<u>VT0007032</u>	Entrée de Cable		1
12	<u>VT0006958</u>	Push buttons box + cable + plug 2HS+ES	2,20 m - Yellow - DIN	1
12	<u>VT0006951</u>	Push buttons box + cable + plug	2,70 m - Yellow - DIN	1
12	<u>VT0006952</u>	2HS+ES	3,20 m - Yellow - DIN	1
12	<u>VT0006953</u>	Push buttons box + cable + plug	3,70 m - Yellow - DIN	1
12	<u>VT0006954</u>	2HS+ES	4,20 m - Yellow - DIN	1
12	<u>VT0006955</u>	Push buttons box + cable + plug	4,70 m - Yellow - DIN	1
12	<u>VT0006956</u>	2HS+ES	5,20 m - Yellow - DIN	1
12	<u>VT0006957</u>	Push buttons box + cable + plug	5,70 m - Yellow - DIN	1
13	<u>VT0006959</u>	Push buttons box + cable + plug 2HS+2TS+ES	2,20 m - Yellow - DIN	1
13	<u>VT0006966</u>	Push buttons box + cable + plug 2HS+2TS+ES	2,70 m - Yellow - DIN	1
13	<u>VT0006960</u>	Push buttons box + cable + plug 2HS+2TS+ES	3,20 m - Yellow - DIN	1
13	<u>VT0006961</u>	Push buttons box + cable + plug 2HS+2TS+ES	3,70 m - Yellow - DIN	1
13	<u>VT0006962</u>	Push buttons box + cable + plug 2HS+2TS+ES	4,20 m - Yellow - DIN	1

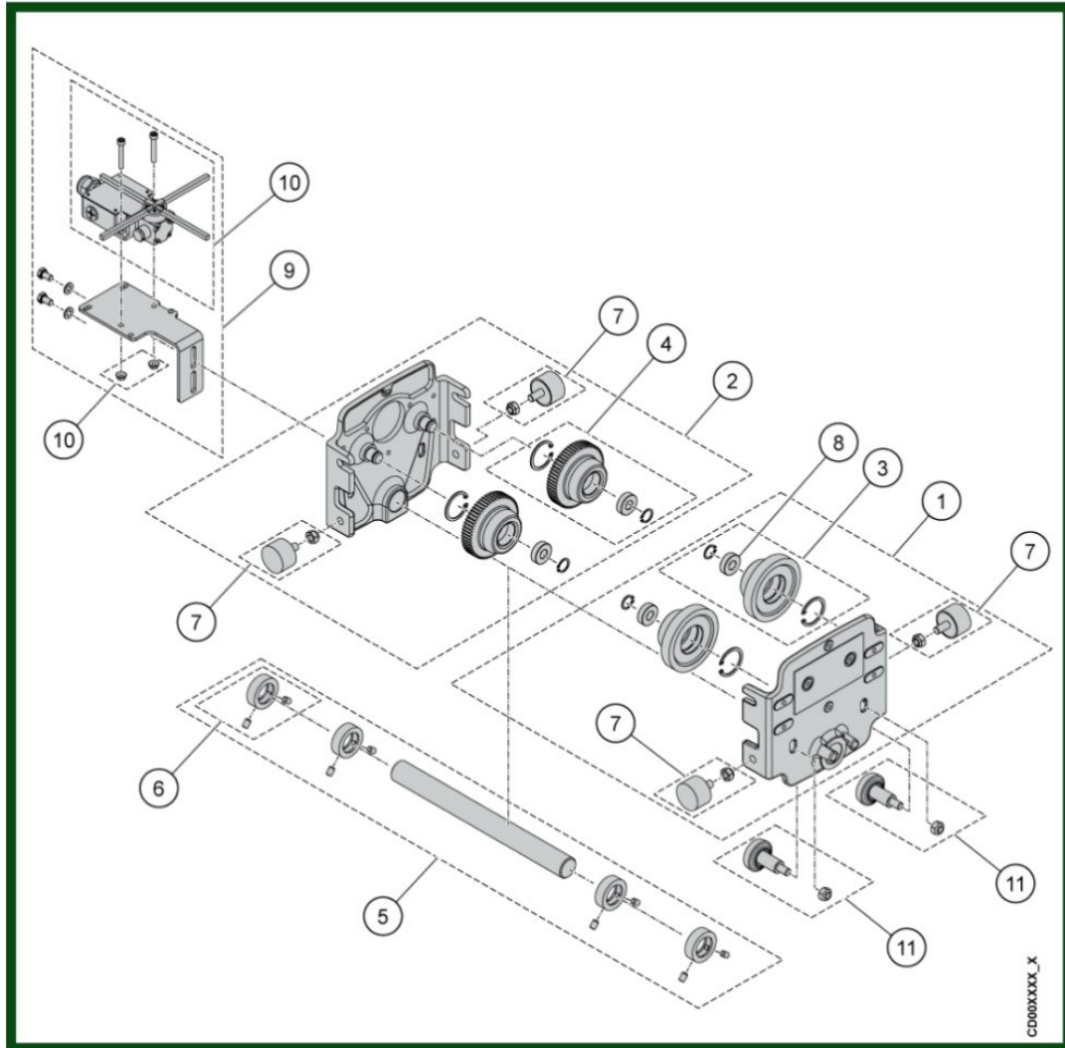
13	<u>VT0006965</u>	Push buttons box + cable + plug 2HS+2TS+ES	5,70 m - Yellow - DIN	1
13	<u>VT0006963</u>	Push buttons box + cable + plug 2HS+2TS+ES	4,70 m - Yellow - DIN	1
13	<u>VT0006964</u>	Push buttons box + cable + plug 2HS+2TS+ES	5,20 m - Yellow - DIN	1

7.1. CHVX10 trolley



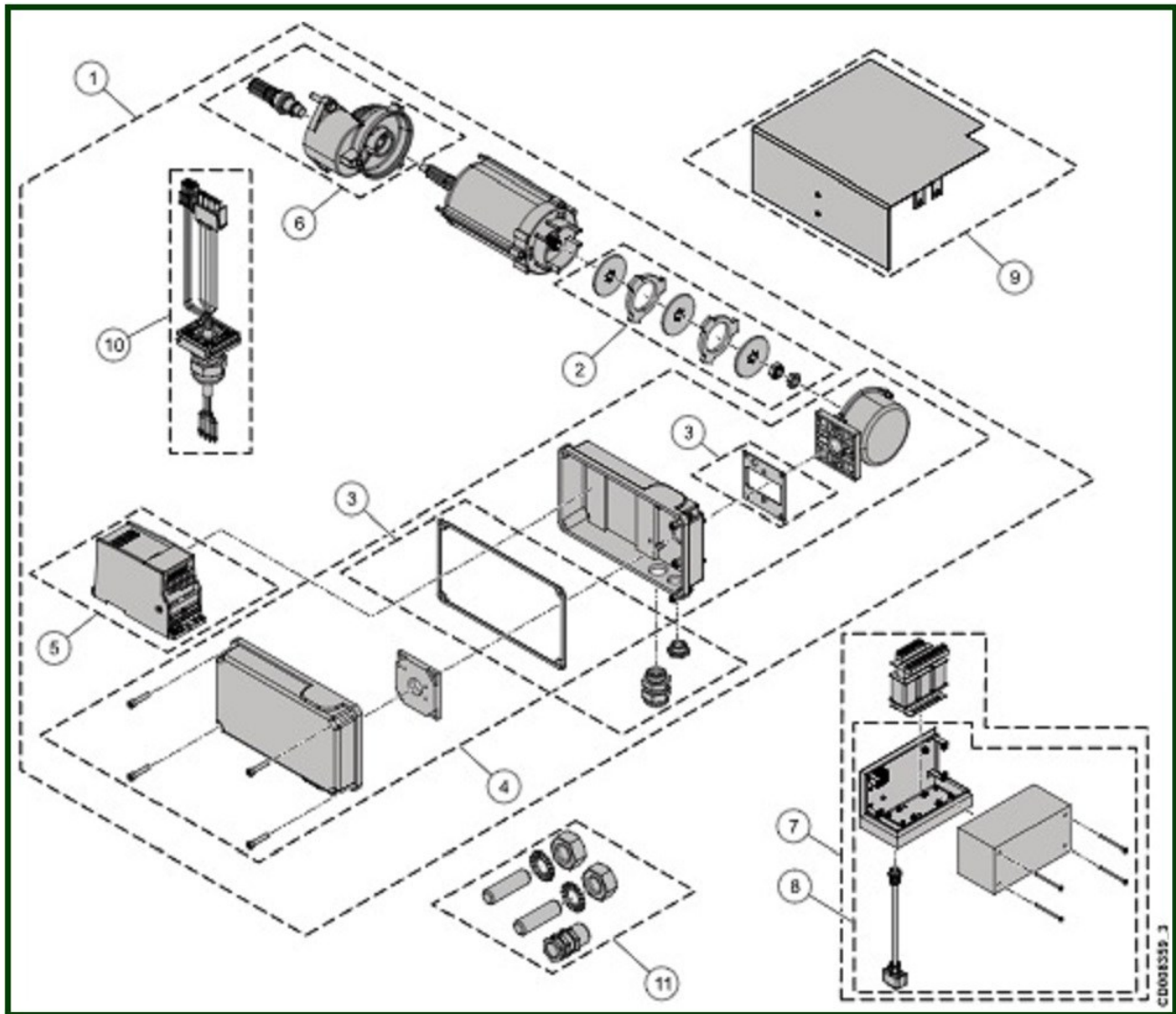
Item	Reference	Description	Observation	Quantity
1	VT0012816	Side plate assembly idle		1
2	VT0012817	Side plate assembly driving		1
3	VT0007061	Set of travel wheels - Idle		1
4	VT0007063	Set of travel wheels - Motor		1
5	VT0012818	Cross bar	200 mm	1
5	VT0012819	Cross bar	310 mm	1
6	VT0012820	Setting ring		1
7	VT0012821	Buffer		1
8	VT0012822	Bearing		1
9	VT0012824	Limit switch + Fixing plate		1
10	VT0012825	Limit switch		1
11	VT0012826	Support roller guide		1

7.2. CHVX32 trolley



Item	Reference	Description	Observation	Quantity
1	VT0013196	Side plate assembly idle		1
2	VT0013197	Side plate assembly -Driving		1
3	VT0008783	Set of travel wheels - Idle		1
4	VT0008782	Set of travel wheels - Motor		1
5	VT0012997	Cross bar	200 mm	1
5	VT0012998	Cross bar	310 mm	1
6	VT0012820	Setting ring		1
7	VT0012821	Buffer		1
8	VT0012823	Bearing		1
9	VT0012824	Limit switch + Fixing plate		1
10	VT0012825	Limit switch		1
11	VT0012826	Bearing		1
	VT0013881	Screws set		1

8. TWO SPEEDS TMU



TMU BI-VITESSES

Item	Reference	Description	Observation	Quantity
1	VT0013921	Motor MF06MK104 136A83055-IP66	208-230V/110V/60Hz	1
1	VT0013922	Motor MF06MK104 136C85055E-IP66	440V/110V/50Hz	1
1	VT0013923	Motor MF06MK104 136P85054EHIP66	380-415V/48V/50Hz 440-480V/48V/60Hz	1
1	VT0013924	Motor MF06MK104 136P85054E-IP66	380-415V/48V/50Hz 440-480V/48V/60Hz	1
1	VT0013925	Motor MF06MK104 136P85054EKIP66	380-415V/48V/50Hz 440-480V/48V/60Hz	1
1	VT0013926	Motor MF06MK104 136P85054--IP66	380-415V/48V/50Hz 440-480V/48V/60Hz	1
1	VT0013927	Motor MF06MK104 136P85054-KIP66	380-415V/48V/50Hz 440-480V/48V/60Hz	1
1	VT0013928	Motor MF06MK104 136P85055E-IP66	380-415V/48V/50Hz 440-480V/48V/60Hz	1
1	VT0013909	Motor MF06MK104 136P85055-IP66	380-415V/48V/50Hz 440-480V/48V/60Hz	1
1	VT0013907	Motor MF06MK104 136P85078E-IP66	380-415V/48V/50Hz 440-480V/48V/60Hz	1
1	VT0013908	Motor MF06MK104 136P85078-IP66	380-415V/48V/50Hz 440-480V/48V/60Hz	1
1	VT0013914	Motor MF06MK104 136285054-IP66	500-525V/48V/50Hz 575-600V/48V/60Hz	1
1	VT0013915	Motor MF06MK104 136285055-IP66	500-525V/110V/50Hz 575-600V/110V/60Hz	1
1	VT0013916	Motor MF06MK104 136285055-KIP66	500V-525V/110V/50Hz 575-600V/110V/60Hz	1
1	VT0013917	Motor MF06MK104 136485054E-IP66	380-400V/48V/60Hz	1
1	VT0013918	Motor MF06MK104 136485078E-IP66	380-400V/60Hz	1
1	VT0013919	Motor MF06MK104 136581054E-IP66	220-240V/48V/50Hz	1
1	VT0013920	Motor MF06MK104 136581054-IP66	220-240V/48V/50Hz	1
1	VT0009423	Motor MF06MK200 135A80062E-IP66	400V/35Hz	1
1	VT0013912	Motor MF06MK200 135A80069EKIP66	400V/35Hz	1
1	VT0013913	Motor MF06MK200 135A80070EHIP66	400V/35Hz	1
1	VT0009424	Motor MF06MK200 145F84061E-IP66	400V/100Hz - 460V/120Hz	1
1	VT0013911	Motor MF06MK200 145F84067EHIP66	400V/100Hz - 460V/120Hz	1

1	<u>VT0013910</u>	Motor MF06MK200 145F84068EKIP66	400V/100Hz - 460V/120Hz	1
2	<u>VT0001548</u>	Brake repair set		1
3	<u>VT0009425</u>	Sealing set		1
4	<u>VT0009426</u>	Terminal box		1
5	<u>VT0006534</u>	Frequency converter		1
6	<u>VT0009427</u>	Gear GEL105PT1BO		1
6	<u>VT0013906</u>	Gear GEL105PT1BO	Food grease	1
7	<u>VT0009428</u>	Control panel		1
8	<u>VT0009429</u>	Control panel		1
9	<u>VT0009430</u>	Rain cover		1
10	<u>VT0006292</u>	Interface cable		1
11	<u>VT0009323</u>	Fixing set		1